



2010

**Catalog/Catálogo/Catalogue 457206**

Supercedes/Reemplaza al/Remplace 457206  
Dated/Con fecha de/Daté de December/Diciembre/Décembre 2005

# **SKF Bearings and Seals**

**Rodamientos y sellos SKF / Roulements et joints SKF**

**Vintage applications catalog (1995 and earlier)  
Passenger cars, light and medium truck applications  
Includes import cars and SPEEDI-SLEEVES**

**Catálogo de aplicaciones antiguas (1995 y anteriores)  
Aplicaciones para automóviles de pasajeros y camiones livianos y medianos  
Incluye automóviles importados y SPEEDI-SLEEVES**

**Catalogue des applications anciennes (1995 et plus anciennes)  
Applications de voitures de tourisme et de camionnettes légères et moyennes  
Comprend les voitures d'importation et SPEEDI-SLEEVES**



English section

Spanish section  
Sección en español

French section  
Section en français

Automotive technicians worldwide are installing confidence – and building long-term customer loyalty – with high quality SKF brand components. Our expanding product line includes wheel bearing kits and unitized hubs, transmission rebuild kits, seals, timing belt kits, SPEEDI-SLEEVE shaft repair kits and more. Broad market coverage and world-class logistics assure the right part, at the right place, at the right time. For more information about all the ways we can help you install confidence in your customers, too, contact your SKF distributor. Or visit us online: [www.vsm.skf.com](http://www.vsm.skf.com).



# How to use this catalog

## Application section

1. Locate manufacturer.
  - Manufacturer's are listed in alphabetical order (refer to "Manufacturer's index" or correct page number)
2. Locate Model.
  - Models are listed within each manufacturer's section
3. Locate your application information.

Application information is listed in columnar form for each vehicle in the following sequence: Front & Rear Wheel, Pinion, Differential, Clutch, Transaxle, Transfer Case & Transmission. All other applications follow "Transmission" in alphabetical order.
4. Locate year.
5. Once the application has been located, read to the right of the application to find the SKF stock number.
6. For every Bearing Set listed, directly underneath will be the components that make up that set in Cone/Cup sequence.

**This would only apply to Bearing Sets where components are available for purchase separately.**

---

## Footnote codes

- For installation guidelines on axle repair bearings, see page 5A.
- ✪ Check for availability.
- ✦ Upgraded part number for this application only. Original part number listed above covers other applications.
- Use old snap ring.
- ✧ Use existing part number to depletion, then reorder new number listed below. See page 4A for specific information.
- ▲ N4068 is recommended for heavy duty and 12" lever style clutches.
- [ ] Indicates quantity required.

See page 3A for needle bearing package quantities.

# Table of contents

## Applications

Manufacturers Model Index.....	6A
Passenger Car, Light & Medium Truck Applications.....	1

## Information

Abbreviation list.....	3A
Loose needle bearing package quantities .....	3A
Supersession list.....	4A
Axle repair bearing assembly.....	5A
Seal & bearing locations, front wheel drive passenger .....	11A
Seal & bearing locations, rear wheel drive passenger & 2 W/D truck .....	12A
Seal & bearing locations, 4 W/D passenger & 4 W/D light truck.....	13A
Ford/Lincoln/Mercury manual transmission & rear axle identification .....	14A
Ford/Lincoln/Mercury automatic transmission/transaxle identification .....	15A
Ford engine identification .....	19A
General Motors automatic transmission/transaxle codes.....	25A
General Motors axle identification .....	26A
General Motors engine identification .....	27A
General Motors brake system .....	33A
Oil seal installation instructions.....	34A
Bearing installation instructions.....	35A
Semi vs full floating axle.....	36A
SPEEDI-SLEEVE shaft repair kits .....	642
SPEEDI-SLEEVE installation instructions.....	644
SPEEDI-SLEEVE size listings (Inches).....	646
SPEEDI-SLEEVE size listings (Metric).....	653
SPEEDI-SLEEVE/Grease seal kit size listings .....	660
Crush sleeve kits.....	661
Light duty differential kit contents.....	664
Light duty transfer case kit contents.....	686
Light duty transmission kit contents.....	708
Driveshaft support bearings—Types .....	716
Driveshaft support bearings—Numerical Listing .....	717

# Loose needle bearing package quantities

Bearing no.	Qty. per pack.	Bearing no.	Qty. per pack.	Bearing no.	Qty. per pack.	Bearing no.	Qty. per pack.
C407-Q	52	C1110-Q	16	Q8371	110	QAR29523	15
C436-Q	45	B1316-Q	52	Q13367	48	QAR33724	42
C437-Q	61	W1518-Q	20	Q15902	14	QAR34604	17
S444-Q	160	W1590-Q	18	Q15902-F	14	QA47838	52
O513-Q	14	Q6086	36	QA19792	14	QA48181	444
C1086-Q	23	Q8308	116	QBR23549	16	QBR49845	15

## Abbreviation list

1st..... First	Exc..... Except	OEM..... Original Equipment Manufacturer
2nd..... Second	Ext..... Extension	O.H.C..... Overhead Cam
3rd..... Third	F.C..... Forward Control	OHV..... Overhead Valve
4th..... Fourth	Flg(d)..... Flange	oz..... Ounce
5th..... Fifth	Frt..... Front	Pass..... Passenger
2 W/D..... Two Wheel Drive	F.W.D..... Front Wheel Drive	P/C..... Police Car
4 W/D..... Four Wheel Drive	Gen..... Generator	Pkg..... Package
2 W/S..... 2 Wheel Steering	Gr..... Gear	Prkg..... Parking
4 W/S..... 4 Wheel Steering	G.V.W..... Gross Vehicle Weight	Pwr..... Power
ABS..... Anti-Lock Brake System	H.D..... Heavy Duty	Rev..... Reverse
A/C..... Air Conditioning	Hi-Perf..... High Performance	R.H..... Right Hand
Acsry..... Accessory	Hi-Temp..... High Temperature	Rr..... Rear
Adj..... Adjustable	H.O..... High Output	R.W.D..... Rear Wheel Drive
Aft..... After	H.P..... Horsepower	SC..... Supercharged
Alt..... Alternator	HSC..... High Swirl Combustion	Sed..... Sedan
Alum..... Aluminum	Hsg(s)..... Housing(s)	SEFI..... Sequential Multi-port Fuel Injection
Amp..... Ampere	Hyd..... Hydraulic	Ser..... Series
Assy..... Assembly	I/C..... Intercooler	Ser. No..... Serial Number
Auto..... Automatic	I.D..... Inside Diameter	Sh..... Shaft
Aux..... Auxiliary	Incl..... Includes	SOHC..... Single Overhead Cam
A.W.D..... All Wheel Drive	Inj..... Injection	Spdl..... Spindle
Bbl..... Barrel	Inn..... Inner	Spd..... Speed
Bef..... Before	lb(s)..... Pounds	Specs..... Specifications
Brg(s)..... Bearing(s)	L..... Litre	Sta..... Station
Brk(s)..... Brake(s)	L.D..... Light Duty	Std..... Standard
Carb..... Carburetor	L.H..... Left Hand	Strg..... Steering
Cat..... Caterpillar	Limo..... Limousine	T/C..... Turbo Charger
cc..... Cubic Centimeter	LP..... Limited Production	THM..... Turbo Hydramatic
CFI..... Central Fuel Injection	LPG..... Propane Fueled	Thru..... Through
Chas..... Chassis	Lt..... Light	Trans..... Transmission
Chev..... Chevy	Man..... Manual	Trk..... Truck
Comm..... Commercial	Med..... Medium	Turbo..... Turbocharged
Comp..... Compressor	MFI..... Multi-port Fuel Injection	Vin..... Vehicle Identification Number
C.P.S..... Center Point Steering	Mfr..... Manufacturer	VV..... Variable Venturi
Ctr..... Counter	Misc..... Miscellaneous	w/..... With
Cu. In..... Cubic Inch	ml..... Milliliters	w/o..... Without
Cvr..... Cover	mm..... Millimeter	W.B..... Wheel Base
Cyl..... Cylinder	M.H.C..... Motor Home Chassis	Wgn..... Wagon
Del..... Delivery	Mtg..... Mounting	Whl(s)..... Wheel(s)
Dia..... Diameter	No(s)..... Number(s)	
Diff..... Differential	NP..... New Process	
DOHC..... Dual Overhead Cam	NPG..... New Process Gear	
D.S.O..... Domestic Special Order	O.D..... Outside Diameter	
EFI..... Electronic Fuel Injection	O/D..... Overdrive	
Eng(s)..... Engine(s)	OE..... Original Equipment	

# Automotive supersedure list (2010)

Existing stock no.	New stock no.	Action required	Supersedure type
208	808	Use existing stock then reorder new number	S
663	666	Use existing stock then reorder new number	S
1214	1224	Use existing stock then reorder new number	S
6203	6903	Use existing stock then reorder new number	S
6315	6925	Use existing stock then reorder new number	S
6316	6916	Use existing stock then reorder new number	S
6413	6913	Use existing stock then reorder new number	S
7210	7473	Use existing stock then reorder new number	S
16013	16413	Use existing stock then reorder new number	S
16015	16415	Use existing stock then reorder new number	S
16017	16427	Use existing stock then reorder new number	S
16019	16429	Use existing stock then reorder new number	S
16021	16441	Use existing stock then reorder new number	S
16022	16442	Use existing stock then reorder new number	S
16036	16446	Use existing stock then reorder new number	S
16038	16448	Use existing stock then reorder new number	S
16040	16449	Use existing stock then reorder new number	S
16044	16404	Use existing stock then reorder new number	S
19799	20031	Use existing stock then reorder new number	C
29288	29188	Use existing stock then reorder new number	S
29292	29192	Use existing stock then reorder new number	S
29675	29676	Use existing stock then reorder new number	S
N1467	N1610	Use existing stock then reorder new number	S
N1708	N1743	Use existing stock then reorder new number	S
N2001	N1181	Use existing stock then reorder new number	S
N3006	N2043	Use existing stock then reorder new number	S
N3008	N3064	Use existing stock then reorder new number	S
N3011	N2043	Use existing stock then reorder new number	S
BR930403	BR930701	Use existing stock then reorder new number	S

S Superseded part - existing part number will show 'S' pop code.

C Consolidated part - existing part number will show active pop code because it has non-automotive applications.

# Axle repair bearing assembly

Certain rear wheel bearings use the axle as an inner race; that is the bearing rollers ride directly on the axle shaft itself. The rollers can wear a groove into the axle. Until now the only solution has been to replace the axle itself, a costly approach to repairing the vehicle. Worn axles can be reused now if you install our axle bearing repair assembly.

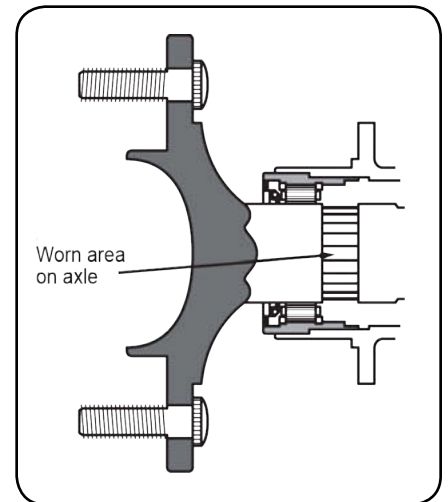
Simply install the new axle bearing repair assembly in the wheel hub. The rollers and seal of the new bearing repair assembly will now rotate on an unworn portion of the axle. The axle bearing repair assembly replaces both the bearing and the conventional seal requiring no additional parts. The repair bearing is manufactured in two styles. The most common style is a single sealed repair bearing that receives its lubrication from the differential. The second style is a double sealed repair bearing. This bearing is prelubed for the life of the bearing and needs no differential fluid to maintain operation.

Just six part numbers R1559, R1561-F, R1561-G, R1563, R57509 and R59047 cover the most popular Chrysler, Ford and GM axles. Each repair bearing assembly comes ready to install for fast and reliable service. For your convenience the bearing assembly is listed in the application section of this catalog. Merely look up the vehicle in question and both the conventional seal and bearing and the axle bearing repair assembly are listed where available.

Remember to always check the axle tube housing depth prior to installation. Check this depth against the width of the repair bearing. Certain models have narrowed axle tube that will not allow the bearing to fully seat.

## Taper bearing packer - BP270

- SKF bearing packer helps do a professional job
- Helps maintain a clean environment essential to bearing life
- Provides a thorough removal of the old grease and installation of the new grease
- Packer comes with grease savers for larger bearings
- Complete instructions included



# Manufacturer to model index

Manufacturer and Model	Page	Manufacturer and Model	Page	Manufacturer and Model	Page
<b>ACURA</b> .....	1	<b>BMW—(Cont.)</b>		<b>CADILLAC (FWD)—(Cont.)</b>	
2.2L .....	1	318i .....	28	Eldorado (From 1967) .....	49
2.5TL .....	1	318is .....	28	Fleetwood (From 1985) .....	49
3.0CL .....	1	320i .....	28	Seville (From 1980) .....	49
3.2TL .....	1	325 .....	28	<b>CADILLAC (RWD)</b> .....	52
3.5RL .....	1	325e .....	28	Calais .....	52
Integra .....	1	325es .....	28	Commercial Chassis .....	52
Legend .....	1	325i .....	28	DeVille (Thru 1984) .....	52
NSX .....	1	325ic .....	28	Fleetwood (Thru 1984) .....	52
<b>ALFA ROMEO</b> .....	3	325is .....	28	Fleetwood Brougham .....	52
<b>AM GENERAL</b> .....	4	325iX .....	28	Limousine .....	52
Hummer .....	4	524td .....	28	Seville (Thru 1979) .....	52
Hummer H1 .....	4	525i .....	28	<b>CHECKER MOTORS CORP</b> .....	56
<b>AMERICAN MOTORS</b> .....	5	528e .....	28	<b>CHEVROLET (FWD)</b> .....	58
Alliance (See-Renault) .....	582	528i .....	28	Beretta .....	58
Ambassador .....	5	530i .....	28	Cadet .....	58
American .....	8	533i .....	28	Cavalier .....	58
AMX (1978) .....	10	535i .....	28	Celebrity .....	59
AMX (Thru 1974) .....	8	630CSi .....	28	Citation .....	59
Classic .....	13	633CSi .....	28	Corsica .....	58
Concord .....	10	635CSi .....	28	Lumina .....	59
Eagle .....	16	733l .....	28	Monte Carlo (From 1995) .....	59
Fuego (See-Renault) .....	582	735i .....	28	Nova (1988-1985) .....	61
Gremlin .....	10	840 .....	28	Spectrum .....	61
Hornet .....	10	850 .....	28	Sprint .....	61
Javelin .....	8	Bavaria .....	28	<b>CHEVROLET (RWD)</b> .....	63
Marlin .....	13	M3 .....	28	Acadian .....	68
Matador .....	18	M5 .....	28	Acadian Beaumont .....	71
Pacer .....	10	M6 .....	28	Bel Air .....	63
Rambler .....	13	<b>BUICK (FWD)</b> .....	33	Berlinetta .....	71
Rebel .....	18	Century (1995-1982) .....	33	Biscayne .....	63
Rogue .....	13	Electra/Park Ave. .....	35	Brookwood .....	63
Spirit .....	10	LeSabre (From 1986) .....	35	Camaro .....	71
Typhoon .....	13	Reatta .....	35	Caprice .....	63
<b>ASTON MARTIN</b> .....	20	Regal (From 1988) .....	36	Chevelle .....	71
<b>AUDI</b> .....	20	Regal (From 1979) .....	35	Chevette .....	77
100 .....	20	Riviera (From 1979) .....	35	Chevy II .....	68
200 .....	20	Skyhawk (From 1982) .....	36	Concours .....	71
4000CS .....	20	Skylark (From 1986) .....	36	Corsa .....	78
5000 Series .....	20	Skylark (1985-1980) .....	33	Corvaire .....	78
80 .....	20	Somerset .....	36	Corvette .....	79
90 .....	20	<b>BUICK (RWD)</b> .....	38	Delray .....	63
A6 .....	20	Apollo .....	43	Deluxe .....	63
Fox .....	20	Centurion .....	38	El Camino .....	71
Quattro .....	20	Century (1981-1973) .....	45	Fleetmaster .....	63
S4 .....	20	Century (Thru 1958) .....	38	Greenbrier .....	71
S6 .....	20	Electra (Thru 1984) .....	38	Impala (Thru 1995) .....	63
Super 90 .....	20	Estate Wagon .....	38	Kingswood .....	63
<b>AUSTIN</b> .....	25	Gran Sport .....	45	Laguna .....	71
<b>AUSTIN HEALY</b> .....	26	Invicta .....	38	Malibu (Thru 1983) .....	71
<b>AVANTI II</b> .....	27	LeSabre (Thru 1985) .....	38	Monte Carlo (Thru 1988) .....	71
Avanti (See-Studebaker) .....	591	Limited .....	38	Monza .....	83
<b>BERTONE</b> .....	27	Regal (Thru 1987) .....	45	Nomad .....	71
X1/9 .....	27	Riviera (Thru 1978) .....	38	Nova (Thru 1979) .....	68
<b>BMW</b> .....	28	Roadmaster .....	38	One-Fifty .....	63
1600/2 .....	28	Skyhawk (Thru 1980) .....	43	Parkwood .....	63
1800 .....	28	Skylark (Thru 1979) .....	45	Spyder .....	78
2000 .....	28	Special (From 1961) .....	45	Stingray .....	79
2000CA .....	28	Special (Thru 1960) .....	38	Townsmen .....	63
2000CS .....	28	Sportwagon .....	45	Two-Ten .....	63
2000Ti .....	28	Wildcat .....	38	Vega .....	83
2002 .....	28	<b>CADILLAC (FWD)</b> .....	49	Z-28 (Camaro) .....	71
2002A .....	28	Allante .....	49	<b>CHEVROLET APV</b> .....	85
2002Ti .....	28	Cimarron .....	49	Lumina APV .....	85
318CM42 .....	28	DeVille (From 1985) .....	49		
		DeVille Concours .....	49		



# Manufacturer to model index

Manufacturer and Model	Page	Manufacturer and Model	Page	Manufacturer and Model	Page
<b>CHEVROLET TRUCK</b> .....	85	<b>DELOREAN</b> .....	181	<b>DODGE TRUCK—(Cont.)</b>	
Astro .....	85	<b>De SOTO (See-Dodge)</b> .....	201	Vans (RWD Models All Series)	
Beauville .....	95	<b>DODGE PASSENGER (FWD)</b> .....	182	(A100 All B Series).....	211
Blazer .....	100	400 .....	182	1/2 Ton AD, AW, D, P, W 100,	
Caballero .....	92	600 .....	182	150, R1500 .....	216
Caravan .....	95	Aries .....	182	3/4 Ton D, P, W 200, 250,	
Chevy Van .....	95	Avenger.....	182	R2500.....	226
El Camino (See-Passenger RWD) .....	71	Caravan .....	193	1 Ton D, M, P, W 300, 350,	
LLV (Postal Service).....	91	Charger (From 1983).....	188	R3500.....	235
Luv .....	85	Colt (From 1979).....	185	1 1/2, 2 Ton-400, 500 Series .....	244
S10 .....	85	Colt Vista Wagon (Thru 1991) .....	185	<b>EAGLE</b> .....	247
S10 Blazer.....	85	Daytona.....	182	Medallion .....	247
Silverado 1/2 Ton.....	100	Dynasty .....	182	Premier .....	247
Silverado 3/4 Ton.....	113	Grand Caravan .....	193	Summit .....	248
Silverado 1 Ton .....	124	Intrepid.....	189	Talon .....	250
Sprint.....	92	Lancer (From 1985).....	182	Vision.....	251
Suburban 1/2 Ton.....	100	Mini Ram Van .....	193	<b>EAGLE (CANADIAN MODELS)</b> .....	252
Suburban 3/4 Ton.....	113	Monaco.....	190	2000 GTX .....	252
Tiltmaster .....	135	Neon.....	190	Vista.....	252
1/2, 3/4, 1 Ton Vans G10, G20, G30 .....	95	Omni.....	188	<b>EDSEL</b> .....	254
1/2 Ton, 1500 (C Series), 1500		Rampage.....	188	<b>FERRARI</b> .....	255
(K Series), 1500 (R Series), 1500		Royal Ram Van .....	193	<b>FIAT</b> .....	255
(V Series), C10, D10, K10, P10 .....	100	Shadow .....	182	<b>FORD BRITISH</b> .....	266
3/4 Ton, 2500 (C Series), 2500		Spirit.....	182	<b>FORD (FWD)</b> .....	257
(K Series), 2500 (R Series), 2500		Stealth.....	191	Aspire .....	257
(V Series), C20, D20, K20, P20 .....	113	Stratus.....	192	Contour .....	258
1 Ton, 3500 (C Series), 3500		<b>DODGE PASSENGER (RWD)</b> .....	195	Escort.....	258
(K Series), 3500 (R Series), 3500		Adventurer.....	201	EXP .....	258
(V Series), C30, D30, K30, P30 .....	124	Aspen.....	197	Festiva .....	257
1 1/2 Ton, 2 Ton, 2 1/2 Ton,		Challenger (Thru 1974).....	197	Fiesta.....	261
W Series, 40 Series, 50 Series,		Challenger (From 1978).....	195	Probe .....	262
60 Series, 70 Series .....	135	Charger (Thru 1978).....	201	Taurus .....	264
<b>CHRYSLER (FWD)</b> .....	167	Colt (Thru 1979).....	195	Tempo.....	258
300 .....	168	Colt Wagon (Thru 1980).....	195	Windstar .....	265
Cirrus.....	167	Conquest (Thru 1986).....	195	<b>FORD (RWD)</b> .....	267
Concorde.....	168	Coronet.....	201	Boss.....	284
E Class/New Yorker (1993-1983).....	169	Dart .....	197	Cobra .....	284
Fifth Avenue .....	169	De Soto .....	201	Country Sedan .....	267
Imperial.....	169	Demon.....	197	Country Squire .....	267
Laser (Thru 1986).....	169	Diplomat .....	201	Crown Victoria .....	267
Le Baron (From 1982).....	169	Firedome .....	201	Custom .....	267
New Yorker (From 1994).....	168	Fireflite.....	201	CustomLine .....	267
New Yorker/E Class (1993-1983).....	168	Firesweep .....	201	Elite.....	273
Sebring.....	171	Lancer .....	197	Fairlane (1970-1962).....	273
TC.....	168	Magnum XE.....	201	Fairlane (1961-1955) .....	267
Town & Country (1988-1983) .....	168	Mirada .....	201	Fairmont .....	276
Town & Country (From 1990).....	171	Monaco (Thru 1978).....	201	Falcon .....	279
<b>CHRYSLER (RWD)</b> .....	172	Polara .....	201	Futura.....	279
300 .....	172	St. Regis.....	201	Galaxie .....	267
Conquest (From 1987) .....	172	Super Bee.....	201	Ghia (Mustang).....	284
Cordoba.....	172	Swinger .....	197	Grabber (Maverick).....	276
Crown (Imperial) .....	178	Viper .....	206	Gran Torino (Torino).....	273
Fifth Avenue .....	172	<b>DODGE (CANADIAN MODELS)</b> .....	206	Granada .....	281
Imperial (Thru 1983).....	178	Colt 100 .....	206	Grande.....	284
Le Baron (Thru 1981).....	172	Colt 200 .....	206	GT (Fairlane).....	273
Newport .....	172	<b>DODGE TRUCK</b> .....	207	GTA (Fairlane).....	273
New Yorker (Thru 1982) .....	172	Dakota.....	216	LTD (From 1983).....	281
Saratoga .....	172	D-50 Pickup.....	207	LTD (Thru 1982).....	267
Town & Country (Thru 1982) .....	172	Power Ram 50.....	207	LTD II .....	273
Windsor .....	172	Raider.....	207	Mach 1 (Mustang).....	284
<b>CHRYSLER (CANADIAN MODELS)</b> .....	180	Ram 50 .....	207	Maverick.....	276
<b>CONTINENTAL PASSENGER</b>		Ramcharger.....	216	Mustang.....	284
See Lincoln (FWD), (RWD) .....	424	Ram Van.....	211	Mustang II.....	284
<b>DAEWOO</b> .....	181	Ram Wagon.....	211	Pinto.....	290
<b>DAIHATSU</b> .....	181			Ranchero.....	273

# Manufacturer to model index

Manufacturer and Model	Page	Manufacturer and Model	Page	Manufacturer and Model	Page
<b>FORD (RWD)—(Cont.)</b>		<b>HYUNDAI</b> .....	368	<b>LINCOLN (RWD)</b> .....	424
Runabout (Pinto).....	290	<b>IHC LIGHT TRUCK</b> .....	371	Continental (Thru 1987).....	424
Thunderbird.....	292	Metro AM 80, 85, CM 75, 80, 85,		Cosmopolitan (Lincoln) .....	424
Torino .....	273	100, 110, 120, 130.....	374	Mark III, IV, V, VI, VII, VIII .....	424
<b>FORD TRUCK</b> .....	296	Metro 700, 800, 900, 1100.....	374	Premiere .....	424
Aerostar .....	296	Metro 1200, 1400, 1500, 1600,		Town Car .....	424
Bronco .....	301	1700 .....	374	Versailles .....	428
Bronco II.....	296	Pickup & Travelall 100, 150,		<b>LOTUS</b> .....	428
Club Wagon (Econoline).....	307	200, 500 .....	378	<b>MASERATI</b> .....	429
Courier .....	306	Scout 80, 800, 800A, 800B .....	371	<b>MAZDA (FWD)</b> .....	429
Econoline .....	307	Scout II .....	371	323 .....	429
F250(Super Duty).....	322	1/2 -1 Ton-Model 100, 110, 120, 130;		626 .....	429
F350(Super Duty).....	332	190 thru 1300 A-B-C-D-L-R-S		GLC .....	429
F450(Super Duty).....	340	Series.....	374	MX-3 .....	429
F550(Super Duty).....	340	<b>INFINITI (FWD)</b> .....	386	MX-6 .....	429
Ranger .....	296	<b>INFINITI (RWD)</b> .....	387	Millenia .....	429
1/2, 3/4, 1 Ton Vans .....	307	<b>ISUZU</b> .....	388	Protege.....	429
1/2 Ton-F100, F150, P100, F1 .....	313	I-Mark .....	388	<b>MAZDA (RWD)</b> .....	432
3/4 Ton-F250, D, F2 .....	322	Impulse .....	388	616 .....	432
1 Ton-F350 & Super Duty, F53,		Stylus.....	388	618 .....	432
F59, P350, P3500; F3,		<b>ISUZU TRUCK</b> .....	390	626 .....	432
P3 Series.....	332	Amigo .....	390	808 .....	432
1 1/2, 2 1/2 Ton-500, 550,		EVR .....	395	929 .....	432
600, 700, 800 .....	340	FRR .....	395	Cosmo .....	432
<b>FUSO TRUCK</b> .....	354	FSR .....	395	GLC .....	432
<b>GEO</b> .....	355	FTR .....	395	Mizer .....	432
Metro.....	355	FVR .....	395	MX-5 .....	432
Prizm .....	355	NNR.....	395	R100 .....	432
Spectrum .....	355	Pickup.....	390	RX2 .....	432
Storm .....	355	Rodeo .....	390	RX3 .....	432
Sunfire.....	355	Trooper .....	390	RX7 .....	432
Tracker.....	357	Trooper II.....	390	<b>MAZDA MPV</b> .....	436
<b>GMC TRUCK</b> .....	85	<b>IVECO TRUCK</b> .....	395	<b>MAZDA TRUCK</b> .....	437
Caballero .....	92	<b>JAGUAR</b> .....	396	B1600 .....	437
Gaucha .....	95	<b>JEEP</b> .....	398	B1800 .....	437
Jimmy.....	100	Cherokee .....	405	B2000 .....	437
Rally.....	124	Chief.....	405	B2200.....	437
Safari.....	85	Comanche.....	405	B2300.....	437
Sierra 1/2 Ton .....	100	Commando (Jeep CJ, DJ).....	398	B2500.....	437
Sierra 3/4 Ton .....	113	Grand Cherokee .....	405	B2600.....	437
Sierra 1 Ton .....	124	Grand Wagoneer.....	413	B3000.....	437
Sprint.....	92	Jeepsters VJ.....	398	B4000.....	437
Suburban .....	100	Laredo .....	405	Navajo .....	437
S15 .....	85	Pioneer .....	405	Rotary Pickup.....	437
S15 Jimmy.....	85	Renegade (Jeep CJ).....	398	<b>MERCEDES BENZ</b> .....	440
Transmode.....	135	Scrambler (Jeep CJ).....	398	<b>MERCURY (FWD)</b> .....	443
Yukon XL .....	113	Sedan Delivery.....	405	Capri (From 1991).....	443
1/2, 3/4, & 1 Ton Vans, G15, G25,		Station Wagon.....	405	LN7 .....	444
G35, Vandura .....	95	Trucks-Gladiator, FC150, FC170,		Lynx.....	444
1/2 Ton, 1500 (C Series), 1500		J Series, 4-73, 4-73HT, 4-75,		Mystique.....	446
(K Series), 1500 (R Series),		475, 6-226.....	413	Sable .....	446
1500 (V Series), C15, D15, K15 .....	100	Wagoneer .....	405	Topaz .....	444
3/4 Ton, 2500 (C Series), 2500		Wrangler .....	398	Tracer.....	447
(K Series), 2500 (R Series), 2500		<b>KIA</b> .....	419	Villager .....	449
(V Series), C25, K25, P25 .....	113	Sephia .....	419	<b>MERCURY (RWD)</b> .....	450
1 Ton, 3500 (C Series), 3500 (K Series),		<b>KIA TRUCK</b> .....	420	Bobcat .....	456
3500 (R Series), 3500 (V Series),		Sportage .....	420	Caliente (Comet) .....	460
C35, D35, K35, P35 .....	124	<b>LADA (Canadian Models)</b> .....	421	Capri (Thru 1986) .....	457
1 1/2, 2, 2 1/2 Ton-4500, 5500,		<b>LADA TRUCK (Canadian Models)</b> .....	421	Capri II .....	457
6500, 7500 Series.....	135	<b>LANCIA</b> .....	421	Comet.....	460
<b>HILLMAN</b> .....	358	<b>LEXUS (FWD)</b> .....	422	Cougar.....	465
<b>HINO TRUCK</b> .....	359	<b>LEXUS (RWD)</b> .....	423	Cyclone (Comet).....	460
<b>HONDA</b> .....	359	<b>LINCOLN (FWD)</b> .....	424	Eliminator (Cougar) .....	465
<b>HONDA TRUCK</b> .....	367	Continental (From 1988).....	424	Four-O-Four (Comet).....	460
<b>HUMBER</b> .....	368			Grand Marquis .....	450

# Manufacturer to model index

Manufacturer and Model	Page	Manufacturer and Model	Page	Manufacturer and Model	Page
<b>MERCURY (RWD)—(Cont.)</b>		<b>NISSAN PASSENGER (RWD)—(Cont.)</b>		<b>PLYMOUTH (FWD)—(Cont.)</b>	
GT (Comet).....	460	B210.....	493	Laser.....	534
Marauder.....	450	Maxima.....	493	Neon.....	535
Marquis (From 1983).....	469	SPL310.....	493	Reliant.....	530
Marquis (Thru 1982).....	450	SPL311.....	493	Sundance.....	530
Meteor.....	471	SRL311.....	493	TC3 (Horizon).....	530
Monarch.....	469	<b>NISSAN AXCESS/QUEST</b> .....	500	Turismo (Horizon).....	530
Montclair.....	450	<b>NISSAN (CANADIAN MODELS)</b> .....	501	Voyager (1995-1984).....	536
Montego (Thru 1976).....	473	Micra.....	501	<b>PLYMOUTH (RWD)</b> .....	538
Monterey.....	450	Multi Wagon.....	501	Arrow.....	538
MX (Montego).....	473	<b>NISSAN TRUCK</b> .....	503	Barracuda.....	540
Parklane.....	450	520.....	503	Belvedere.....	543
Spoiler (Comet).....	460	521.....	503	Caravelle.....	543
S-22 (Comet).....	460	620.....	503	Cricket.....	538
S-33 (Meteor).....	471	720.....	503	Cuda (Valiant).....	540
S-55.....	450	Pathfinder.....	503	Duster.....	540
Turnpike Cruiser.....	450	Pickup.....	503	Fury.....	543
XR-7 (Cougar).....	465	Van.....	503	Gran Coupe (Valiant).....	540
Zephyr.....	460	<b>OLDSMOBILE (FWD)</b> .....	507	Gran Fury.....	543
<b>MERKUR</b> .....	475	98 Regency (From 1985).....	511	Gran Fury Salon.....	543
Scorpio.....	475	Achieva.....	507	Road Runner (Satellite).....	543
XR4Ti.....	475	Aurora.....	509	Sapporo.....	538
<b>METROPOLITAN</b> .....	476	Calais.....	507	Satellite.....	543
<b>MG</b> .....	477	Ciera.....	510	Scamp.....	540
<b>MITSUBISHI (FWD)</b> .....	478	Cutlass (From 1988).....	507	Signet (Valiant).....	540
3000GT.....	478	Cutlass Ciera.....	510	Valiant.....	540
Cordia.....	478	Delta 88 (From 1986).....	511	Volare.....	540
Eclipse.....	478	Firenza.....	507	V-100 (Valiant).....	540
Galant.....	478	Omega (From 1980).....	510	V-200 (Valiant).....	540
Mirage.....	478	Toronado.....	511	<b>PLYMOUTH TRUCK</b> .....	548
Precis.....	478	Trofeo.....	511	Arrow Pickup.....	548
Tredia.....	478	<b>OLDSMOBILE (RWD)</b> .....	513	Trailduster.....	549
<b>MITSUBISHI (RWD)</b> .....	483	4-4-2.....	513	Voyager (Thru 1983).....	551
Starion.....	483	88 (Thru 1985).....	513	<b>PONTIAC (FWD)</b> .....	553
Van/Wagon.....	483	98 (Thru 1984).....	513	6000.....	557
<b>MITSUBISHI EXPO/EXPO-LRV</b> .....	484	Custom Cruiser.....	513	Bonneville (From 1987).....	553
<b>MITSUBISHI TRUCK</b> .....	485	Cutlass (Thru 1987).....	519	Grand Am (From 1985).....	554
Montero.....	485	Cutlass Wagon (Thru 1987).....	519	Grand Prix (From 1988).....	554
Pickup.....	485	Delta 88 (Thru 1985).....	513	J2000.....	554
<b>MORRIS</b> .....	488	F-85.....	519	LeMans (From 1988).....	556
<b>NISSAN PASSENGER (FWD)</b> .....	488	Jetstar.....	513	Phoenix (From 1980).....	557
200SX.....	488	Omega (Thru 1979).....	523	Sunbird (From 1982).....	554
310.....	488	Starfire (Thru 1966).....	513	Sunfire.....	554
Altima.....	488	Starfire (From 1975).....	523	<b>PONTIAC (RWD)</b> .....	558
F10.....	488	Vista Cruiser.....	519	Astre.....	558
Maxima.....	488	<b>OLDSMOBILE APV</b> .....	525	Bonneville (Thru 1986).....	561
Pulsar.....	488	Silhouette.....	525	Catalina.....	561
Sentra.....	488	<b>OLDSMOBILE TRUCK</b> .....	526	Chieftan.....	561
Stanza.....	488	Bravada.....	526	Espirit (Tempest).....	567
<b>NISSAN PASSENGER (RWD)</b> .....	493	<b>OPEL</b> .....	527	Executive.....	561
1600.....	493	<b>PEUGEOT</b> .....	528	Fiero.....	574
2000.....	493	304.....	528	Firebird.....	567
200SX.....	493	403.....	528	Formula 350, 400 (Tempest).....	567
240SX, Z.....	493	404.....	528	Grand Am (1980-1973).....	567
260Z.....	493	405.....	528	Grand Prix (Thru 1987).....	561
280Z, ZX.....	493	504.....	528	Grand Ville.....	561
300ZX.....	493	505.....	528	GTO (Tempest).....	567
312.....	493	604.....	528	Judge (Tempest).....	567
410.....	493	<b>PLYMOUTH (FWD)</b> .....	530	LeMans (Thru 1981).....	567
411.....	493	Acclaim.....	530	Parisienne.....	561
510.....	493	Caravelle (From 1985).....	530	Phoenix (Thru 1979).....	558
610.....	493	Champ.....	532	Safari.....	561
710.....	493	Colt Vista (From 1992).....	533	Sprint.....	567
810.....	493	Grand Voyager (1995-1984).....	536	Star Chief.....	561
		Horizon.....	530	Sunbird (Thru 1980).....	558
				Super Chief.....	561

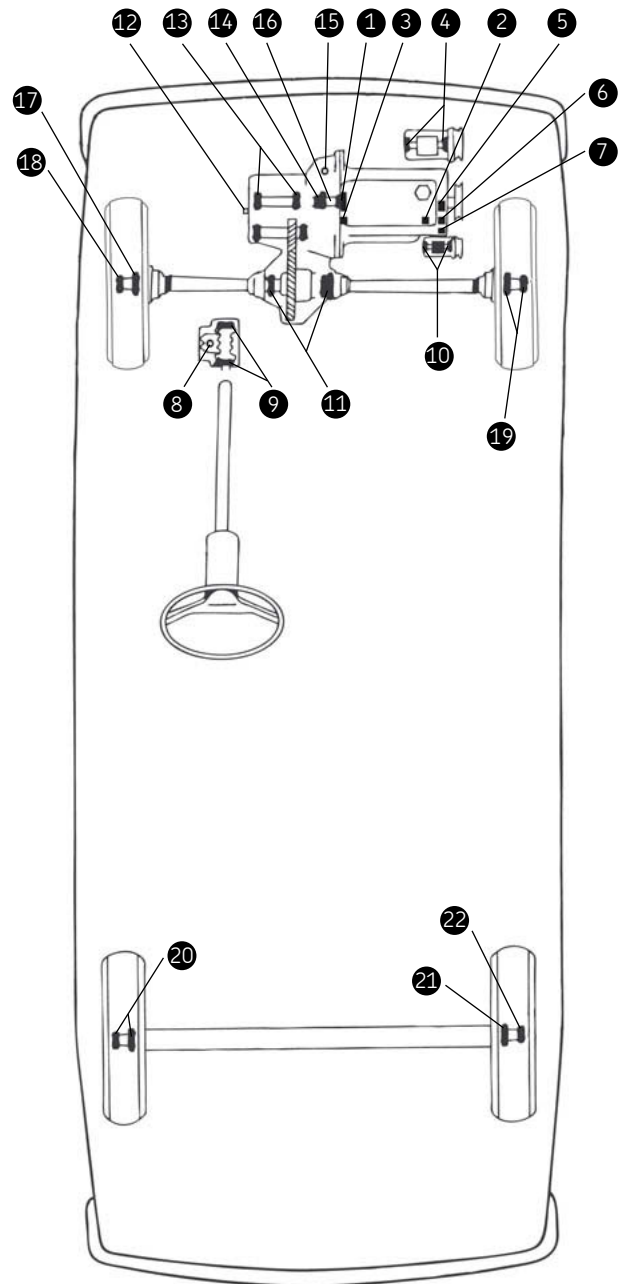
# Manufacturer to model index

Manufacturer and Model	Page	Manufacturer and Model	Page	Manufacturer and Model	Page
<b>PONTIAC (RWD)—(Cont.)</b>		<b>SUNBEAM</b>	599	<b>VOLVO—(Cont.)</b>	
Tempest.....	567	<b>SUZUKI</b>	600	DL.....	634
Trans Am.....	567	Esteem.....	600	GL.....	634
T1000.....	575	Samurai.....	600	GLE.....	634
T-37 (LeMans).....	567	Sidekick.....	600	GLT.....	634
Ventura II.....	558	Swift.....	600	P110.....	634
<b>PONTIAC APV</b> .....	576	<b>TOYOTA PASSENGER (FWD)</b> .....	602	P120.....	634
Trans Sport.....	576	Avalon.....	602	P130.....	634
<b>PONTIAC (CANADIAN MODELS)</b> .....	577	Camry.....	602	P220.....	634
Asuna.....	577	Celica.....	602	<b>WOLSELEY</b> .....	640
Firefly.....	577	Corolla.....	602	<b>YUGO</b> .....	640
Optima.....	577	Paseo.....	602		
Sunburst.....	577	Tercel.....	602		
Sunfire.....	577	<b>TOYOTA PASSENGER (RWD)</b> .....	608		
<b>PONTIAC TRUCK</b>		Carina.....	608		
<b>(CANADIAN MODELS)</b> .....	579	Celica.....	608		
<b>PORSCHE</b> .....	580	Corolla.....	608		
911.....	580	Corona.....	608		
912.....	580	Cressida.....	608		
914.....	580	Crown.....	608		
914/4.....	580	MR2.....	608		
914/6.....	580	Starlet.....	608		
915/6.....	580	Supra.....	608		
924.....	580	<b>TOYOTA TRUCK</b> .....	617		
928.....	580	4Runner.....	617		
928GTS.....	580	Hi Lux.....	617		
944.....	580	Land Cruiser.....	617		
956A, B, C.....	580	Pickup.....	617		
968.....	580	T100.....	617		
<b>PUMA (CANADIAN MODELS)</b> .....	582	Tacoma.....	617		
<b>RENAULT</b> .....	582	Van.....	617		
<b>RILEY</b> .....	584	<b>TOYOTA PREVIA</b> .....	616		
<b>ROLLS ROYCE</b> .....	585	<b>TRIUMPH</b> .....	625		
<b>ROVER</b> .....	585	<b>VAUXHALL</b> .....	628		
2000.....	585	<b>VOLKSWAGEN</b> .....	628		
2200.....	585	Beetle.....	628		
3500.....	585	Cabrio.....	628		
Defender.....	585	Cabriolet.....	628		
Discovery.....	585	Corrado.....	628		
Land Rover.....	585	Dasher.....	628		
Range Rover.....	585	EuroVan.....	628		
<b>SAAB</b> .....	587	Fox.....	628		
900.....	587	Golf.....	628		
9000.....	587	Jetta.....	628		
95.....	587	Quantum.....	628		
96.....	587	Rabbit.....	628		
97.....	587	Scirocco.....	628		
99.....	587	Type I.....	628		
<b>SATURN</b> .....	589	Type II.....	628		
S Series.....	589	Type III.....	628		
<b>SIMCA</b> .....	589	Type IV.....	628		
<b>SINGER</b> .....	590	Vanagon.....	628		
<b>SKODA (CANADIAN MODELS)</b> .....	590	Vanagon Syncro.....	628		
<b>STERLING</b> .....	590	<b>VOLVO</b> .....	634		
<b>STUDEBAKER PASSENGER</b> .....	591	140 Series.....	634		
<b>STUDEBAKER TRUCK</b> .....	593	164.....	634		
<b>SUBARU</b> .....	596	1800.....	634		
1600.....	596	240 Series.....	634		
1800.....	596	260 Series.....	634		
Impreza.....	596	740 Series.....	634		
Justy.....	596	760 Series.....	634		
Legacy.....	596	780 Series.....	634		
Loyale.....	596	850 Series.....	634		
SVX.....	596	940 Series.....	634		
XT6.....	596	960 Series.....	634		

# Typical seal & bearing locations (FWD passenger)

	Seal	Bearing
<b>Engine</b>		
① Crankshaft Rear *	X	
② Camshaft Front *	X	
③ Camshaft Rear *	X	
④ Alternator		X
⑤ Timing Cover *	X	
⑥ Jack Shaft *	X	
⑦ Auxiliary *	X	
<b>Steering</b>		
⑧ Pitman Shaft	X	
⑨ Housing (Worm)	X	
⑩ Pump Shaft (Power)	X	
<b>Transaxle</b>		
⑪ Output (L. or R.) *	X	X
⑫ Shift Shaft *	X	
⑬ Input Shaft (Front)		X
⑭ Clutch Release		X
⑮ Clutch Fork	X	
⑯ Clutch Pilot		X
<b>Wheel</b>		
⑰ Front Inner	X	X
⑱ Front Outer	X	X
⑲ Front w/Sealed Bearing	Unitized	
⑳ Rear w/Sealed Bearing	Unitized	
㉑ Rear Inner	X	
㉒ Rear Outer	X	X

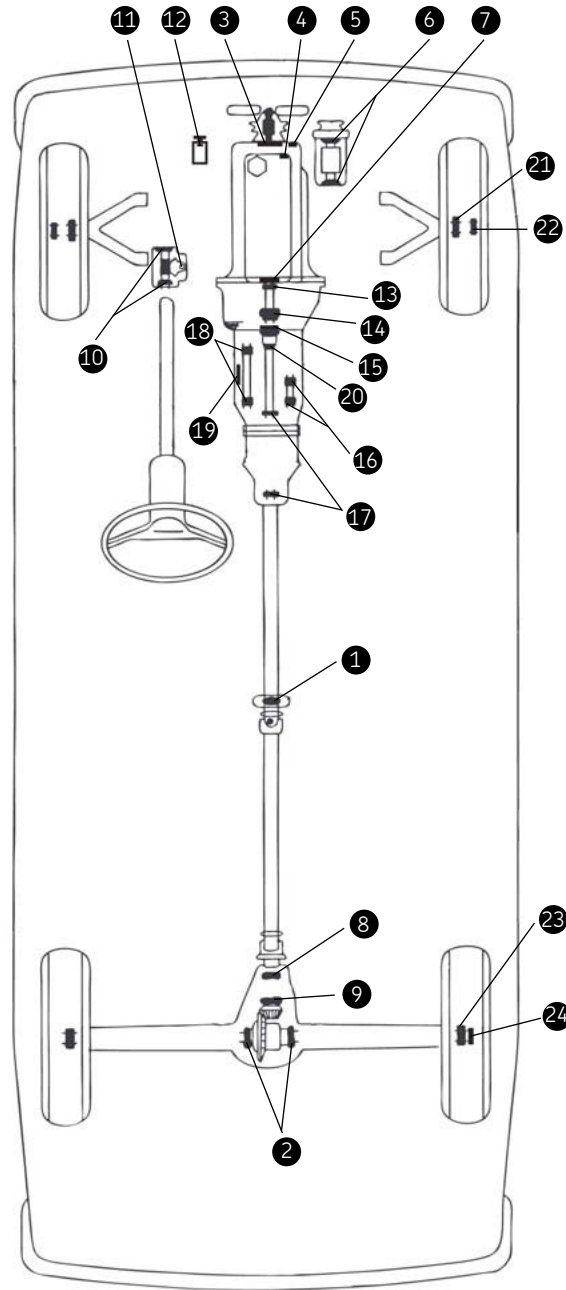
\*Uses SPEEDI-SLEEVE at this vehicle location



# Typical seal & bearing locations (RWD passenger & 2WD light truck)

	Seal	Bearing
<b>Differential</b>		
① Driveshaft Support		X
② Left or Right		X
<b>Engine</b>		
③ Timing Cover*	X	
④ Camshaft*	X	
⑤ Auxiliary Shaft*	X	
⑥ Alternator		X
⑦ Crankshaft Rear*	X	
<b>Pinion (Rear axle)</b>		
⑧ Front*	X	X
⑨ Rear		X
<b>Steering</b>		
⑩ Housing (Worm)	X	
⑪ Pitman Shaft	X	
⑫ Pump Shaft (Power)	X	
<b>Transmission</b>		
⑬ Clutch Pilot		X
⑭ Clutch Release		X
⑮ Front*	X	X
⑯ Reverse Idler		X
⑰ Rear*	X	X
⑱ Countershaft		X
⑲ Shift Shaft*	X	
⑳ Mainshaft Pilot		X
<b>Wheel</b>		
㉑ Front Inner	X	X
㉒ Front Outer		X
㉓ Rear Inner	X	X
㉔ Rear Outer		X

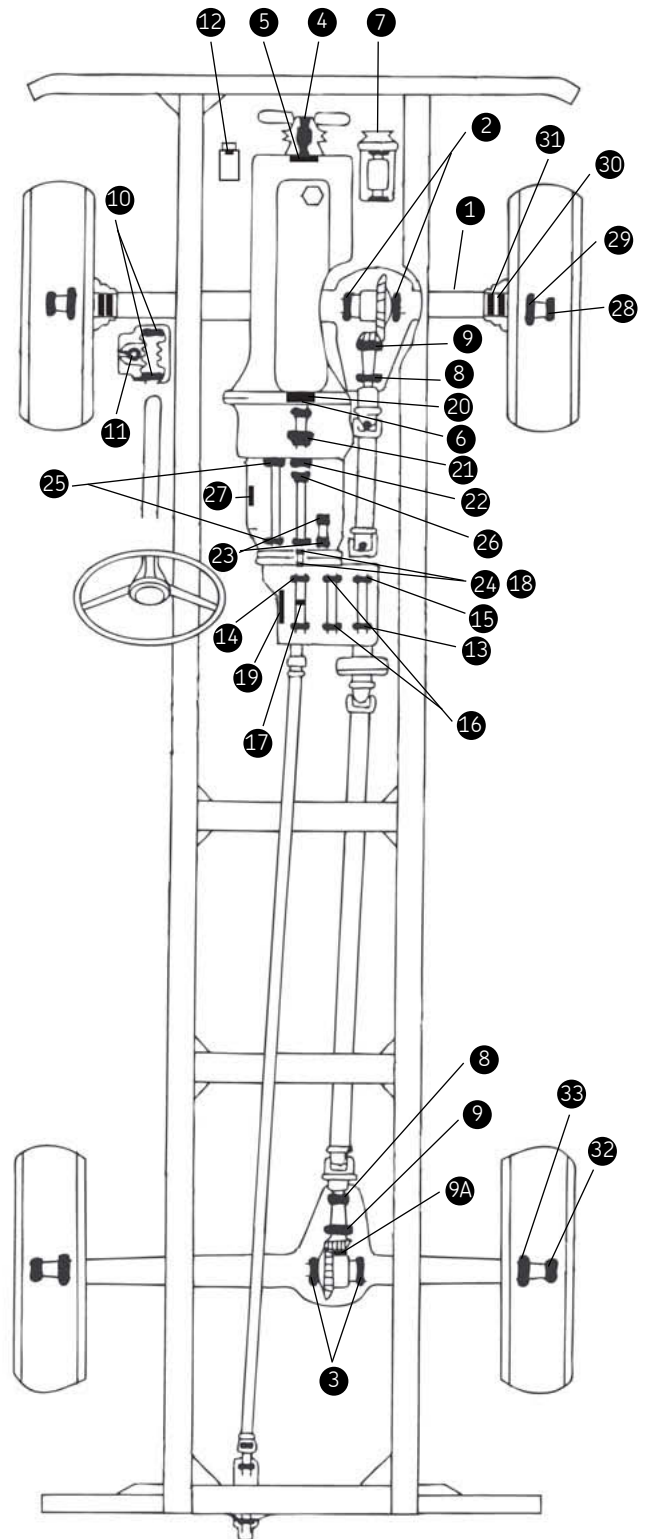
\*Uses SPEEDI-SLEEVE at this vehicle location



# Typical seal & bearing locations (4WD passenger & 4WD light truck)

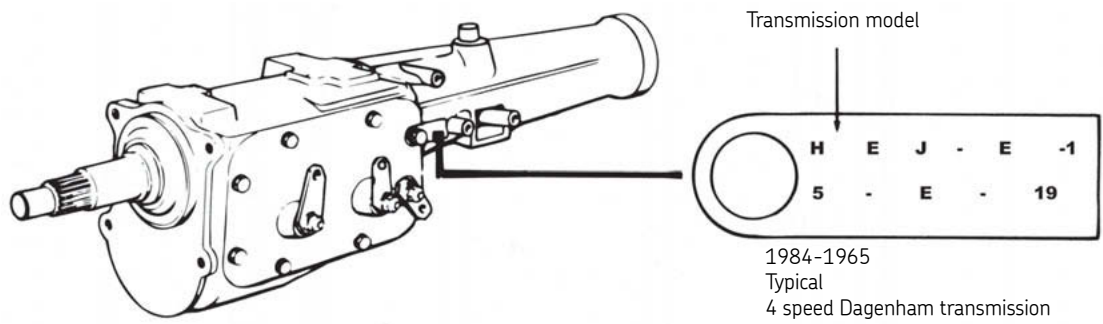
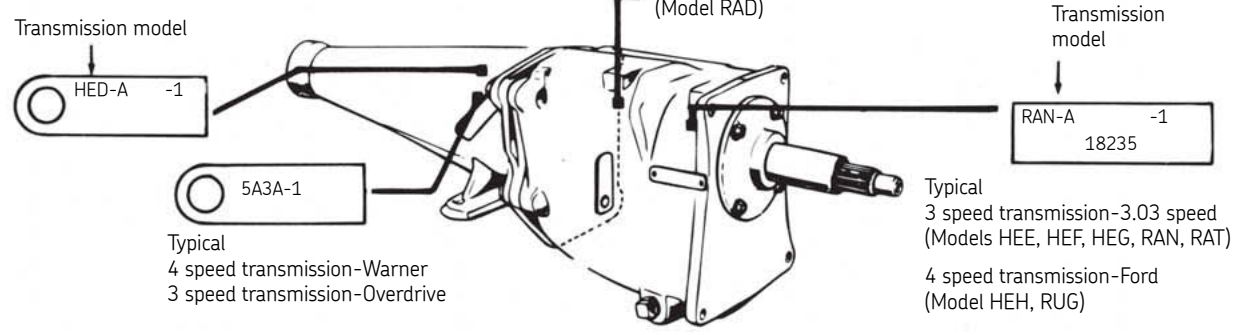
	Seal	Bearing
<b>Axle</b>		
① Front (L. or R.)	X	
<b>Differential</b>		
② Front (L. or R.)		X
③ Rear (L. or R.)		X
<b>Engine</b>		
④ Fan (Water Pump)		X
⑤ Timing Cover*	X	
⑥ Crankshaft*	X	
⑦ Alternator		X
<b>Pinion (Fr. to Rr. Drive)</b>		
⑧ Front*	X	X
⑨ Rear		X
⑨A Pilot		
<b>Steering</b>		
⑩ Housing (Worm)	X	
⑪ Pitman	X	
⑫ Pump	X	
<b>Transfer Case</b>		
⑬ Rear Output*	X	X
⑭ Input*	X	X
⑮ Front Output*	X	X
⑯ Idler Shaft		X
⑰ Mainshaft Pilot		X
⑱ Mounting Adapter*	X	
⑲ Shift Shaft*	X	
<b>Transmission</b>		
⑳ Clutch Pilot		X
㉑ Clutch Release		X
㉒ Front*	X	
㉓ Reverse Idler		X
㉔ Rear*	X	X
㉕ Countershaft		X
㉖ Mainshaft Pilot		X
㉗ Shift Shaft*	X	
<b>Wheel</b>		
㉘ Front Hub Outer	X	X
㉙ Front Hub Inner	X	X
㉚ Front Spindle Outer	X	
㉛ Front Spindle Inner	X	
㉜ Rear Outer		X
㉝ Rear Inner	X	X

\*Uses SPEEDI-SLEEVE at this vehicle location



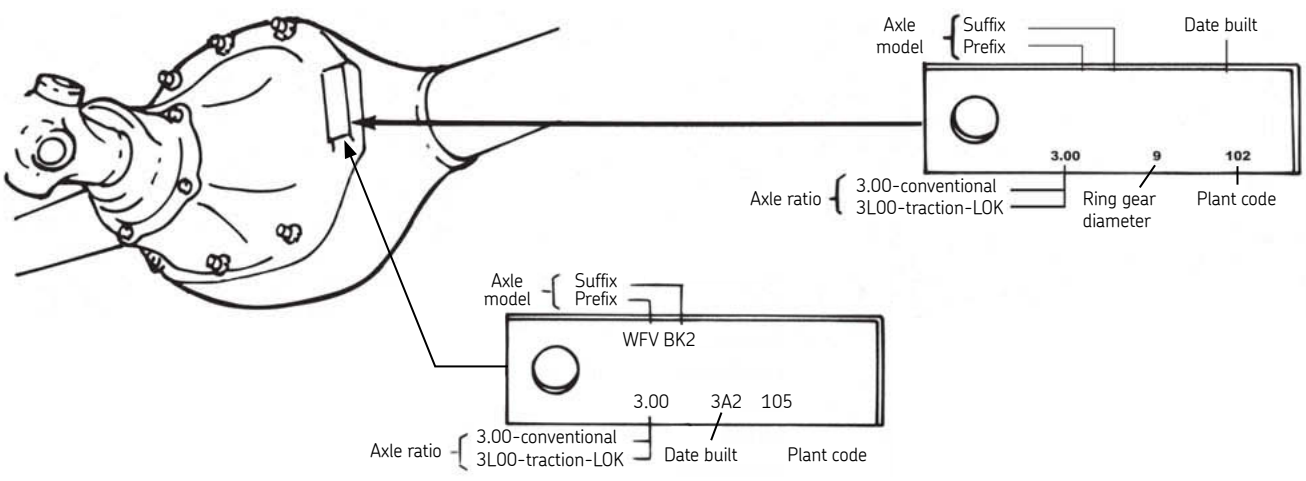
# Ford/Lincoln/Mercury manual transmission / transaxle identification 1995-1973

Typical 3 speed transmission - 2.77 (Model HED)



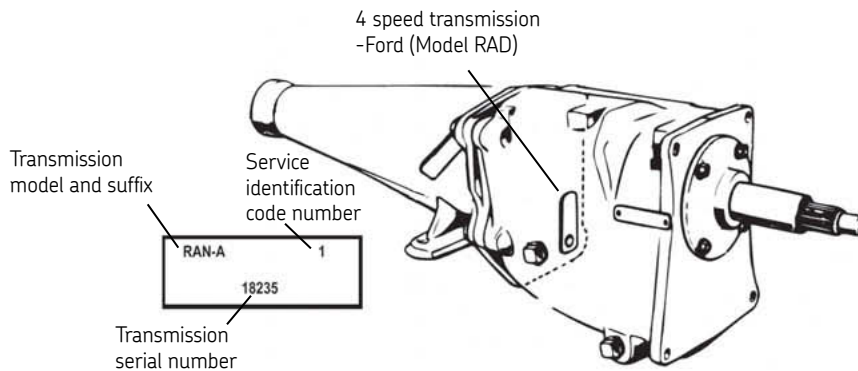
## Ford/Lincoln/Mercury rear axle model identification tag

To determine the proper bearing or seal to be used on some Ford Motor Co. products rear axle and pinion applications, it is necessary to know the axle model. This axle model information is printed on a tag located on the rear axle as shown below.





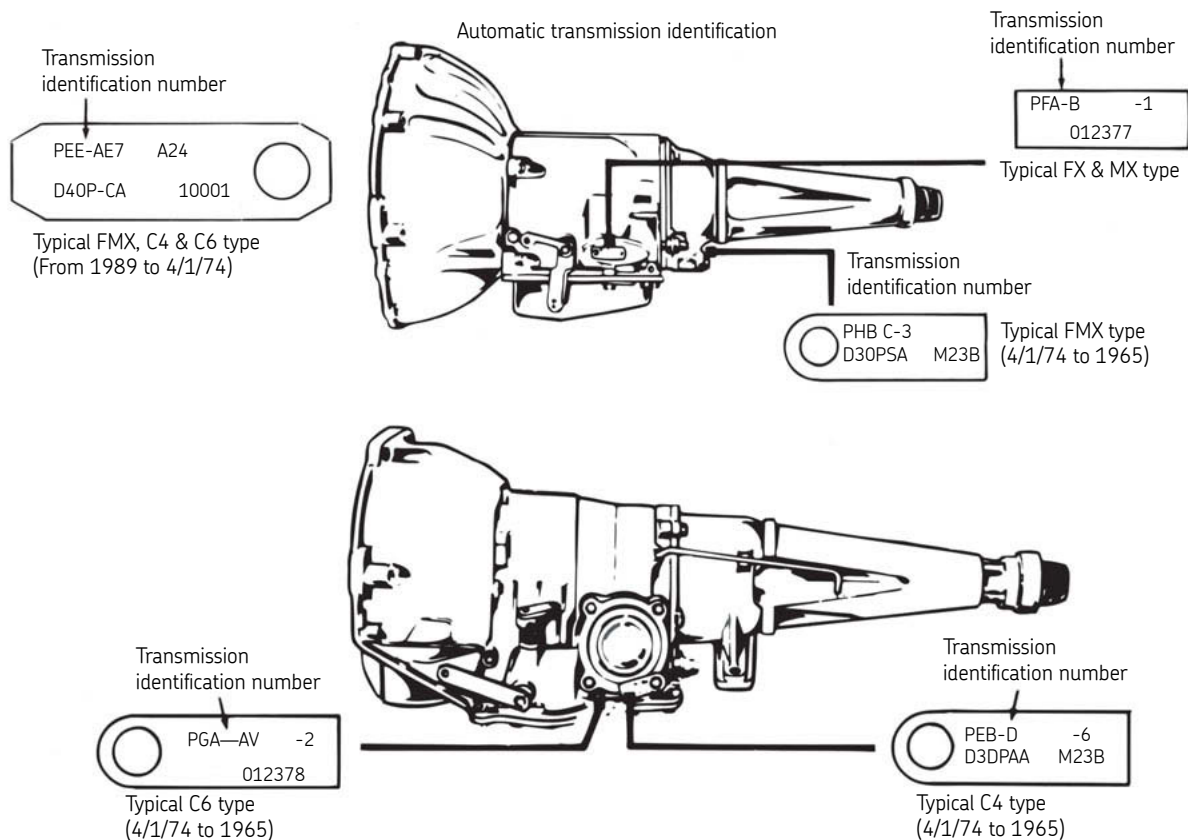
# Ford/Lincoln/Mercury manual transmission / transaxle identification 1995-1973



3 speed transmission—3.03 (Models RAN, RAT)

4 speed transmission—Ford (Model RUG)




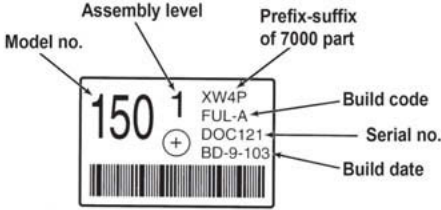
# Ford/Lincoln/Mercury automatic transmission identification 1990-1965



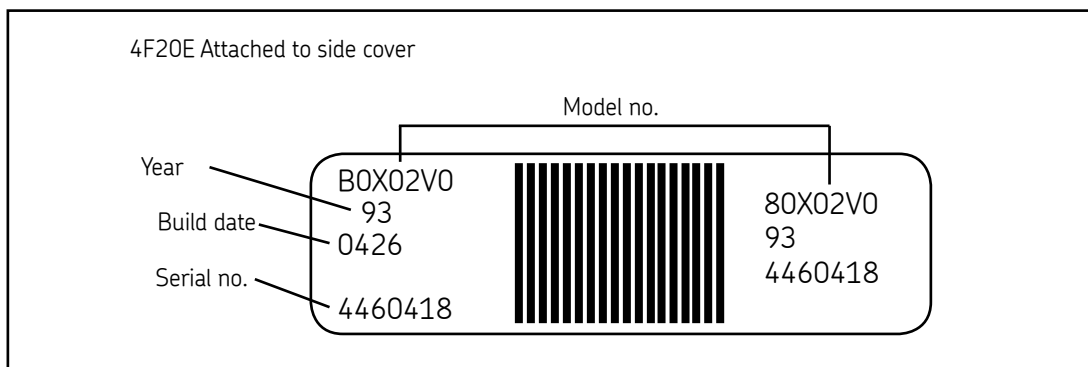
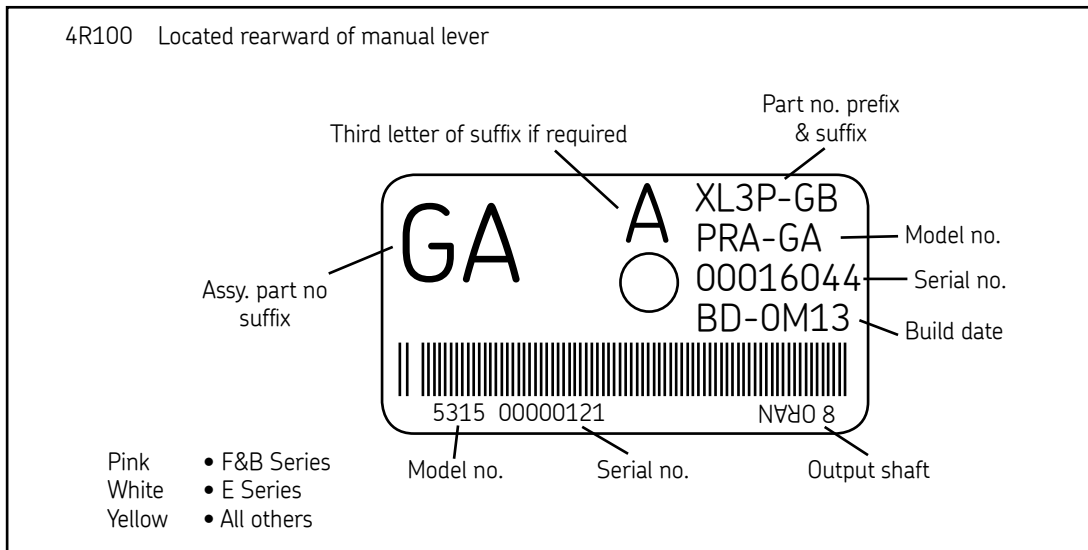
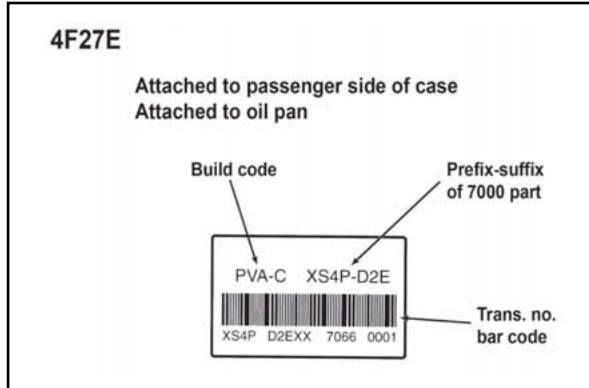
# Ford/Lincoln/Mercury automatic transmission / transaxle identification 1995-1991

<p><b>AOD located under extension bolt</b></p> <table border="0"> <tr> <td>Transmission model</td> <td>Build date code</td> </tr> <tr> <td>PKA-BV7 10001 E6LP-AA</td> <td>M21</td> </tr> <tr> <td>Assy. part no. prefix &amp; suffix</td> <td>Serial no.</td> </tr> </table>	Transmission model	Build date code	PKA-BV7 10001 E6LP-AA	M21	Assy. part no. prefix & suffix	Serial no.	<p><b>AXOD-AXODE located rear of manual lever</b></p> <p>Serial no.</p> <p>Build date</p> <p>Transmission mode</p>			
Transmission model	Build date code									
PKA-BV7 10001 E6LP-AA	M21									
Assy. part no. prefix & suffix	Serial no.									
<p><b>A4LD located under extension bolt</b></p> <table border="0"> <tr> <td>Transmission model</td> <td>Line shift code</td> </tr> <tr> <td>8 9 GT-AAA-2</td> <td></td> </tr> <tr> <td>09    A    10</td> <td></td> </tr> <tr> <td>Build date code</td> <td>Year    Month    Day</td> </tr> </table>	Transmission model	Line shift code	8 9 GT-AAA-2		09    A    10		Build date code	Year    Month    Day	<p><b>AODE Attached to side of case</b></p> <p>Tag #</p> <p>Build year</p> <p>Build date</p>	
Transmission model	Line shift code									
8 9 GT-AAA-2										
09    A    10										
Build date code	Year    Month    Day									
<p><b>ATX located under valve body cover bolt</b></p> <table border="0"> <tr> <td>A 2 3 1</td> <td>PMA-U4</td> <td>5</td> </tr> <tr> <td>010001</td> <td>E6EP-GA</td> <td></td> </tr> <tr> <td>Serial no.</td> <td>Assy. part no. prefix &amp; suffix</td> <td></td> </tr> </table>	A 2 3 1	PMA-U4	5	010001	E6EP-GA		Serial no.	Assy. part no. prefix & suffix		
A 2 3 1	PMA-U4	5								
010001	E6EP-GA									
Serial no.	Assy. part no. prefix & suffix									

# Ford/Lincoln/Mercury automatic transmission / transaxle identification 1995-1991

<p><b>4EAT</b> Located on the transaxle</p> 	<p><b>IF4E</b> Located on top of the transaxle case</p> 
<p><b>F4E-III</b> Located on top of the transmission case</p> 	<p><b>5R55N</b> Attached to passenger side of case</p> 

# Ford/Lincoln/Mercury automatic transmission / transaxle identification 1995-1991



# Ford passenger car engine codes

2008-1981 — 8th Digit of vehicle identification number indicates engine identification

1980-1973 — 5th Digit of vehicle identification number indicates engine identification

To convert liters into cubic inches, multiply by 61.0250

Code	Year	(Engine) Cyl.	(Engine) C.I.D.	Carb.	Remarks
A	2006-1999	8			3.9 - MFI (DOHC) (LS8)
A	1997-1993	4	122		2.0 - MFI (Mazda)
A	1990-1980	4	140		2.3 - OHC - EFI
A	1978-1973	8	460	4/B	Exc. P/C - 7500 cc. or 7.5
B	1997-1993	6	153		2.5 - MFI (Mazda)
B	1982-1980	6	200	1/B	3.3
C	1996-1995	8	351		5.8 - MFI - Mustang Cobra R
C	1992-1990	4	133		2.2 - EFI (Probe only) (SOHC)
C	1992-1989	4	133		2.2 - EFI (Probe only)
C	1989	6	232		3.8 - EFI - SC
C	1980	6	250	1/B	4.1
C	1978-1973	8	460	4/B	P/C - 7500 or 7.5
D	1995-1993	8	302		5.0 - MFI/Mustang, GT plus Cobra
D	1990-1986	4	153		2.5 - CFI
D	1983	4	140		2.3 - EFI (Turbo)
D	1982-1980	8	255	2/B	4.2
E	1993	8	302		5.0 - MFI - HO Mustang, Mark VII (Ford) (OHV)
E	1992-1990	8	302		5.0 - EFI - HO Mustang, Mark VII (Ford) (OHV)
E	1989-1987	8	302		5.0 - EFI - HO Mustang, Mark VII
F	1991-1990	8	302		5.0 - CFI - EFI (Ford) (OHV)
F	1989-1980	8	302		5.0 - CFI - EFI
F	1979-1973	8	302	2/B	5000 or 5.0
G	2000-1998	6	155		2.5 - DOHC - Engine used only in Contour SVT and Cougar S/ST200
G	1991-1990	8	351	2/B	5.8 VV (Ford) - HO (OHV)
G	1989-1980	8	351	2/B	5.8 - HO
H	2008-2006	8	281		4.6L - SOHC 24 valve
H	2000	8			5.4 - MFI - Engine used for Mustang Cobra R
H	1998-1993	4	79	2V	1.3 - MFI (Mazda) (SOHC) (Festiva)
H	1992-1990	4	79		1.3 - EFI (Mazda) (SOHC)
H	1989	4	79		1.3 - EFI (Mazda)
H	1987-1984	4	122		2.0 - Diesel - Toyo Kogyo
H	1979-1973	8	351	2/B	5800 or 5.8
J	1996-1993	4	116		1.9 - CVH - SEFI (Escort/Tracer)
J	1992-1990	4	116		1.9 - SEFI (Ford)
J	1989-1985	4	116		1.9 - EFI
K	1995-1994	4	116		1.9 - HO - CVH - SEFI (FOM)
K	1989-1988	4	79	2V	1.3 - Mazda
L	2002-1995	6	155		2.5 - MFI (DOHC)
L	1993	4	133		2.2 - MFI/TC (SOHC)
L	1992-1990	4	133		2.2 - EFI/TC (SOHC)
L	1989	4	133		2.2 - EFI/TC
L	1985-1984		146		2.4 - Diesel - Turbo
L	1979-1973	6	250	1/B	4100 or 4.1
M	1993	4	140		2.3 - MFI (SOHC)
M	1992-1991	4	140		2.3 - EFI (SOHC)
M	1987	8	302		5.0 - CFI - HO, Mark VII LCS only
M	1986-1984	8	302	4/B	5.0 - CFI - HO
N	2008-2006	4	121		2.0L - Duratec 20 16V DOHC
N	2000-1996	8	207		3.4 - MFI - SHO (DOHC)
N	1993	6	195		3.2 - (DOHC) - A/T

# Ford passenger car engine codes

2008-1981 — 8th Digit of vehicle identification number indicates engine identification

1980-1973 — 5th Digit of vehicle identification number indicates engine identification

To convert liters into cubic inches, multiply by 61.0250

Code	Year	(Engine) Cyl.	(Engine) C.I.D.	Carb.	Remarks
N	1991-1990	4	153		2.5 - EFI (OHV)
N	1973	8	429	4/B	
O	1980				D.S.O. Gas Engines
P	2005-1997	4	122		2.0 - MFI (SOHC) S.P.I.
P	1995-1993	6	195		3.2 - SHO (DOHC)
Q	1974-1973	8	351	4/B	GT
R	2005-2002	8	281		4.6 - DOHC Ram Air-engine used for Mustang Mach I
R	1995-1993	6	232		3.8 Super Coupe/XR7
R	1992-1990	6	232		3.8 Super Coupe/XR7 (OHV)
R	1990-1989	4	134		2.2 - EFI (Turbo) (Probe)
R	1989	6	232		3.8 - EFI - SC
R	1987-1986	4	140	1/B	2.3 - Canada only
R	1985-1983	4	140		2.3 - HSC
R	1973	8	351	4/B	High Output
S	2008-2006	8	330		5.4L - DOHC 32 valve supercharged
S	2005-1996	6	182		3.0 - MFI (DOHC)
S	2000	6		24V	3.0 - MFI (DOHC) (LS6)
S	1991-1990	4	140		2.3 - HSC - HO - CFI (OHV)
S	1989-1985	4	140		2.3 - HSC - HO - CFI, EFI
S	1979-1973	8	400	2/B	6600 or 6.6
T	1995-1993	8	302		5.0 - MFI (OHV)
T	1992-1991	8	302		5.0 - EFI (OHV)
T	1989-1981	4	140		2.3 - EFI - (Turbo I/C)
T	1979-1973	6	200	1/B	3300 or 3.3
U	2007-1993	6	182		3.0 - MFI
U	1992-1986	6	183		3.0 - EFI
V	2007-2006	8	281		4.6L - SOHC flex fuel
V	2007-1993	8	281		4.6 - MFI (DOHC)
V	1990-1988	6	177		2.9 - Germany
W	2008	6	213		3.5L - DOHC 24 valve
W	2008-1993	8	281		4.6 - MFI (SOHC) - Romeo Engine Plant
W	1992-1991	8	280		4.6 - EFI (SOHC)
W	1989-1983	4	140		2.3 - EFI (Turbo)
W	1979	4	139	2/B	2300 or 2.3 (Turbo Charged)
W	1973	4	98	1/B	1600 or 1.6
X	2005-1996	8	281		4.6 - MFI (SOHC) Engine used for Mustang GT-Windsor Engine Plant
X	1995-1993	4	141		2.3 - MFI (OHV)
X	1992-1990	4	140		2.3 - HSC - CFI - EFI (OHV)
X	1989-1985	4	140		2.3 - HSC - CFI - EFI
X	1983	6	200		3.3
X	1974-1973	4	122	2/B	2000 or 2.0
Y	2005-2002	8	281		4.6 - DOHC SC-engine used only for Mustang Cobra
Y	1995-1993	6	182		3.0 - SHO (Yamaha) - MFI (DOHC)
Y	1992-1990	6	183		3.0 - SHO (Yamaha) - EFI (DOHC) - M/T
Y	1989	6	182		3.0 - SHO (Yamaha) - EFI
Y	1979-1974	4	140	2/B	2300 or 2.3 (w/o Turbo)
Z	2008-2007	4	138		2.3L - DOHC 24 valve
Z	2007-2006	4	140		2.3L - Duratec 23 16V DOHC
Z	2000-1996	4	121		2.0 - MFI (DOHC) GFP
Z	1995-1993	4	98		1.6 - MFI - (Mazda) (DOHC) (Capri)
Z	1992-1991	4	98		1.6 - EFI (Mazda) (DOHC)

# Ford passenger car engine codes

2008-1981 — 8th Digit of vehicle identification number indicates engine identification

1980-1973 — 5th Digit of vehicle identification number indicates engine identification

To convert liters into cubic inches, multiply by 61.0250

Code	Year	(Engine) Cyl.	(Engine) C.I.D.	Carb.	Remarks
Z	1979-1974	6	171	2/B	2800 or 2.8
1	2008	6	183		3.0L - DOHC
1	2000-1993	6	182		3.0 MFI - Flex Fuel-Methanol
1	1981	4	79		1.3
2	2007-1996	6	182		3.0 - MFI - Flex Fuel-Ethanol
2	1985-1981	4	98		1.6
3	2005-1995	4	121		2.0 - MFI - ZETA (DOHC)
3	1987-1982	6	232		3.8 - CFI
3	1986-1984	6	232	2/B	3.8 - Canada only
4	2005-1995	6	232		3.8 - MFI - SEFI
4	1992-1987	6	232		3.8 - EFI - SEFI
4	1985-1983	4	98		1.6 - HO
5	2005-2002	4	121		2.0 - MFI - ZETEC SVT - High Performance
5	2002				72 Volt (350 amp) Lead/Acid-Battery Pack-Elect.
5	1990-1987	4	98		1.6 - Mazda
5	1985-1983	4	98		1.6 - EFI
6	1996	8	281		4.6 - MFI (SOHC) Windsor Engine Plant
6	1994-1993	4	98		1.6 - MFI/TC (Mazda) (DOHC)
6	1992-1991	4	98		1.6 - EFI/TC (Mazda) (DOHC)
6	1985-1982	4	140		2.3 - LP Gas
7	1985-1983	4	98		1.6 - Methanol HO
8	1996-1993	4	112		1.8 - MFI (Mazda) (DOHC) (Escort/Tracer)
8	1992-1990	4	109		1.8 - EFI (Mazda) (DOHC)
8	1985-1984	4	98		1.6 - Turbo - EFI
9	2006-1995	8	281		4.6 - MFI (SOHC) - Natural Gas (Eng.)
9	1990-1985	4	116		1.9 - 2V or CFI

# Ford light truck engine codes

2008-1981 — 8th Digit of vehicle identification number indicates engine identification

Thru 1980 — 4th Digit of vehicle identification number indicates engine identification

To convert liters into cubic inches, multiply by 61.0250

Code	Year	(Engine) Fuel	(Engine) Cyl.	(Engine) C.I.D.	Remarks
A	2002-1999	G	8	330	5.4 - SEFI - DOHC - Windsor Engine Plant
A	1998-1993	G	4	140	2.3 - EFI Dual Plug (SOHC)
A	1992-1990	G	4	140	2.3 - EFI (SOHC)
A	1989-1983	G	4	140	2.3 - EFI
A	1979-1975	G	8	460	7.5 - 4 Bbl. Carb.
A	1974-1973	G	6	240	1 Bbl. Carb.
B	2001	G	4	122	2.0 - ZETEC (DOHC)
B	2001	G	8	329	5.4 - SOHC - EFI
B	1998	D	4	140	2.5 - SOHC - Dual Plug
B	1985	Turbo	4	140	2.3
B	1979-1973	G	6	300	4.9 - 1 Bbl. Carb.
C	2008-2007	G	6	213	3.5L - DOHC 24 valve Duratec 35
C	2002-1998	G	4	153	2.5 - SOHC - MFI
C	1993-1992	D	8	446	7.3 - Turbo
C	1989-1983	G	4	122	2.0
C	1978	G	6	300	1 Bbl. Carb. - 3x6 Fuel Economy
C	1976-1973	G	8	330	2 Bbl. Carb. - Med. Duty
D	2008-2001	G	4	140	2.3 - MFI
D	2005-2001	G	10	415	6.5 - SOHC - EFI
D	1985	CNG	4	140	2.3
D	1982-1981	G	8	255	4.2 - 2 Bbl. Carb.
E	2008-1997	G	6	241	4.0 - SOHC - MFI
E	1987-1985	D	4	140	2.3 - Turbo (Mitsubishi)
E	1982-1980	G	6	300	4.9 - 1 Bbl. Carb. - LD
F	2005-1994	D	8	445	7.3 - Turbo-DI (Navistar) OHV
F	1985-1980	G	8	302	5.0 - 2 Bbl. Carb.
G	2002	D	4		2.5 - DI - DOHC - TI - RBO
G	1997-1993	G	8	460	7.5 - OHV - EFI
G	1992-1987	G	8	460	7.5 - OHV - EFI
G	1985-1980	G	8	351	5.8 - 2 Bbl. Carb.
G	1979-1973	G	8	302	5.0 - 2 Bbl. Carb.
H	2008-2006	EV	4	138	2.3L - Hybrid-Electric
H	1997-1993	G	8	351W	5.8 - OHV
H	1992-1990	G	8	351W	5.8 - OHV - EFI (Ford)
H	1989-1985	G	8	351W	5.8 - 4 Bbl. Carb. EFI
H	1979-1977	G	8	351	5.8 Exc. E100/350
H	1979-1975	G	8	351	2 Bbl. E100/350
H	1976-1973	G	8	390	2 Bbl. Exc. E100/350
J	1979-1973	G	8	460	7.5 - 4 Bbl. Carb.
K	2002-2000	G	6	241	4.0 - SOHC - MFI FFV
K	1994	D	8	445	7.3 - Turbo - IDI (Navistar)
K	1979-1978	G	6	300	4.9 - 1 Bbl. Carb. H/D
K	1976-1973	D	3	159	Detroit 3-53W D.S.O.
L	2008-1997	G	8	330	5.4 - SOHC - Modular EFI
L	1987-1980	G	8	460	7.5 4 Bbl. Carb.
M	2005-1997	G	8	330	5.4 - SOHC - CNG
M	1994-1993	D	8	446	7.3 - OHV - MFI (Navistar)
M	1992-1988	D	8	446	7.3 - OHV - EFI (Navistar)



# Ford light truck engine codes

2008-1981 — 8th Digit of vehicle identification number indicates engine identification

Thru 1980 — 4th Digit of vehicle identification number indicates engine identification

To convert liters into cubic inches, multiply by 61.0250

Code	Year	(Engine) Fuel	(Engine) Cyl.	(Engine) C.I.D.	Remarks
M*	1985-1983	D	4	226	3.7 - White
M	1976-1975	G	8	390	4 Bbl. Carb.
N	1997	G	8	330	5.4 - SOHC
N	1996-1993	G	8	302	5.0 - OHV - EFI
N	1992-1985	G	8	302	5.0 - OHV - EFI
P	2008-2003	D	8	366	6.0 - DI - TI - RBO
P	2002-1996	G	8	302	5.0 - MFI - Engine used only on Explorer/Mountaineer
P	1984-1983	D	4	134	2.2 - Toyo Kogyo
R	2008-2007	Diesel	8	391	6.4L - Power-stroke Hybrid
R	1995-1992	G	8	351	5.8 - MFI - HP, Total Perf. Truck
S	2008-1997	G	10	415	6.8 - SOHC - EFI
S	1986-1983	G	6	171	2.8
S	1979-1977	G	8	400	6.6 - 2 Bbl. Carb.
T	2002-1999	G	6	201	3.3 - MFI - SOHC
T	1992-1986	G	6	177	2.9 - OHV - EFI
U	2008-2004	G	6	183	3.0 - EFI
U	2002-1993	G	6	183	3.0 - MFI
U	1992-1986	G	6	183	3.0 - EFI
V	2008-2006	Flex fuel	8	330	5.4L - SOHC 24 valve
V	2002-1999	G	6	183	3.0 - FFV
V	1991	D	6	210	3.4 - Cummins
V	1989-1988	D	6	210	3.4
W	2008-1997	G	8	281	4.6 - SOHC - MFI
W	1996-1993	G	6	182	3.0 - MFI (SOHC)
W	1980	G	6	351	5.8 - 2 Bbl. Carb.
X	2001-1991	G	6	241	4.0 - OHV - SOHC
X	1992-1990	G	6	244	4.0 - OHV - EFI
Y	2008-2007	G	10	415	6.8L - SOHC 30 valve
Y	1996-1993	G	6	300	4.9 - OHV - MFI
Y	1992-1983	G	6	300	4.9 - OHV - EFI
Y	1976-1973	G	8	360	2 Bbl. Carb.
Z	2008-2007	G	4	138	2.3L - DOHC 24 valve
Z	2005-2003	NGV	10	415	6.5 - SOHC - EFI
Z	2005-1998	G	8	330	5.4 - MFI - SOHC - BI - Fuel
Z	1996-1994	G	6	300	4.9 - OFP
Z	1985	G		140	2.3 - Brazil
Z	1982-1980	G	8	400	6.6 - 2 Bbl. Carb.
0	1996-1980				D.S.O.
1	2008-2001	G	6	183	3.0 - SEFI - DOHC
1	2002-1999	EV			136V - 75HP - Electric Model
1	1998-1997	G	6	182	3.0 - SOHC - MFI
1	1987-1983	D	8	420	6.9 - I.H. (Diesel)
1	1976-1973	G	6	240	1 Bbl. - Low Compression - D.S.O.
2	2008-1997	G	6	256	4.2 - MFI - OHV
3	2005-1999	G	8	330	5.4 - SOHC - SFI
3	1983	G	6	230	3.8
4	2005-1994	G	6	232	3.8 - MFI - OHV
4	1974	G	8	330	2 Bbl. - Low Compression - D.S.O.

\* Special built

# Ford light truck engine codes

2008-1981 — 8th Digit of vehicle identification number indicates engine identification

Thru 1980 — 4th Digit of vehicle identification number indicates engine identification

To convert liters into cubic inches, multiply by 61.0250

Code	Year	(Engine) Fuel	(Engine) Cyl.	(Engine) C.I.D.	Remarks
5	2008-2007	G	8	330	5.4L - SOHC 24 valve
5	1974	G	8	360	2 Bbl. - Low Compression - D.S.O.
6	2007-2006	G	6	238	3.9L
6	2005-1997	G	8	281	4.6 - SOHC - EFI
7	2002-1998	EV			336V - 75 HP Electric - Lead Acid Battery
7	1998				325V - 90 HP Electric 67 KW - Ranger Electric Pickup
7	1981-1980	G	8	351	5.8 - 2 Bbl. - Export - D.S.O.
8	2008-2006	G	8	281	4.6L - SOHC 24 valve
9	1996-1982	G	6	300	4.9 - 2 Bbl. - LPG Conversion

# General Motors automatic transmission / transaxle codes 1995-1991

Buick, Cadillac, Chevrolet Pass & Truck, Oldsmobile, Pontiac

Option Code	Speed	Model/Type
M13	4	4T60-E
M15	4	4T65-E (Enhanced)
M22	5	5L50E
M30	4	4L60-E
M32	4	4L60-E HD, 4L65-E
M33	3	CBC350, 4L60-E Hybrid
M41	4	4L30-E
M70	4	4L70-E Super Duty
M74	5	Allison 1000
M76	4	4T65E
M82	5	5L40-E
M84	5	5T50-E
M89	5	5L90-E
M90	5	4L40-E
M95	5	5T70-E
MD2	3	3L30
MD8	4	4L60
MD9	3	3T40
ME9	4	4T60
MD1	4	AT540
MH1	4	4T80-E
ML4	4	4L30-E
MN3	4	4T65-E
MN4	4	4T40-E
MN5	4	4T45-E
MN7	4	4T65-E H.D.
MN8	4	4L80-E HD, 4L85-E
MT1	4	4L80-E HD
MU4	4	Aisin Toyota
MU5	4	Aisin Toyota, PTU
MU6	4	Hokkaido-Toyota
MV3	5	5L50-E w/4 W/D/A.W.D.
MV4	3	THM350
MV9	3	THM250
MW7	6	Allison 1000
MW9	4	HM 200-4R
MX4	5	Allison 2000, 5L40-E w/4 W/D/A.W.D.
MTW	5	Allison 2400
MYB	6	6L50
MYC	6	6L80

Option code M13 has oil pan bolt quantity of 19.

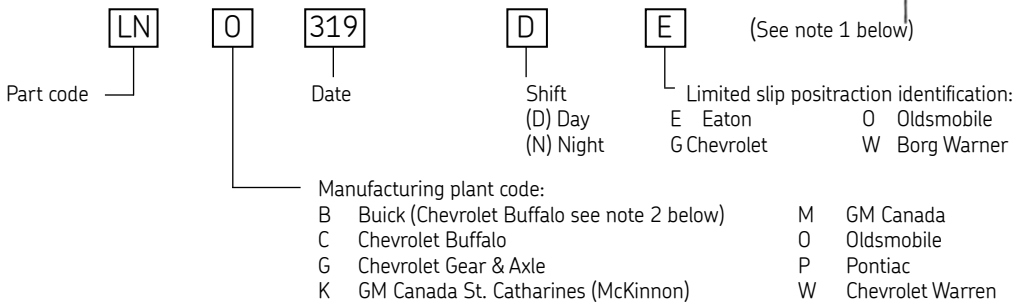
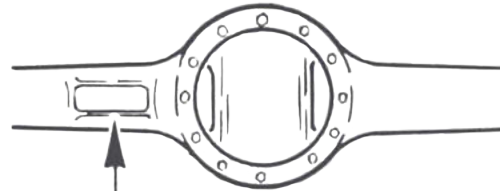
Option code MV4 has oil pan bolt quantity of 13 and pan size 13 1/2 x 12 5/16.

Option code MV9 has oil pan bolt quantity of 11 and pan size 13 3/16 x 11 5/8.

# General Motors axle identification 1995-1991

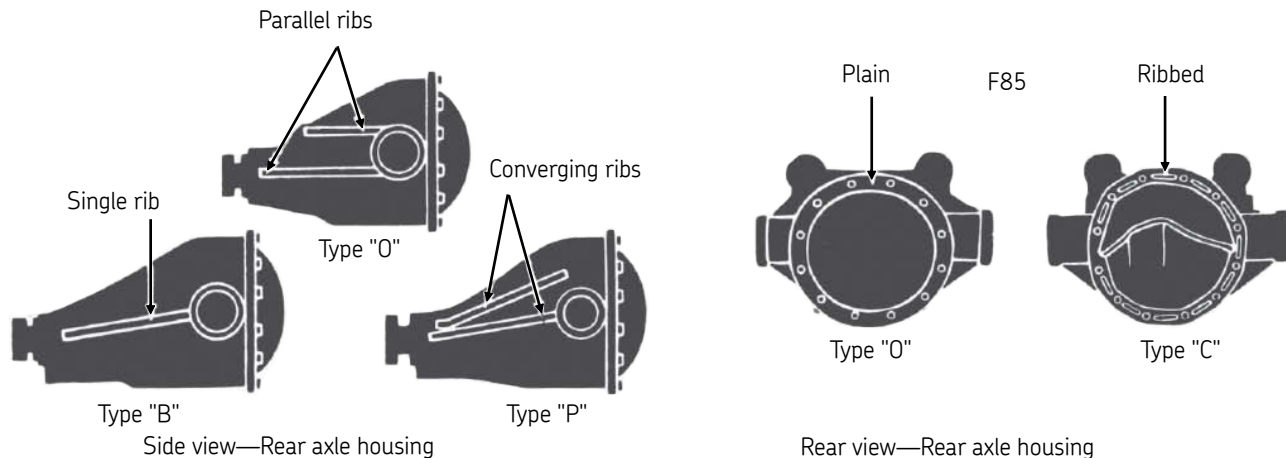
Buick, Cadillac, Chevrolet Pass & Truck, Oldsmobile, Pontiac

GM axle codes are found stamped on the rear of the left side axle tube in  $\frac{1}{4}$ " high letters 3" outboard of the carrier, or on a metal tag attached to a cover bolt.



- Note: 1. 1978 Vehicles have a different identification than shown above, characters 1-3 are the same, however character 4 is the year, characters 5-7 are the julian date and character 8 is the shift code.
2. Some Chevrolets have a 7 character code that contains less information, character 1-2 are vehicle identification, character 3-6 are the month and day produced and character 7 is the manufacturing plant code. On vehicles with the 7 character code, plant B is not Buick, it is Chevrolet Buffalo.

## Oldsmobile & F85 Rear Axle Identification



# GM passenger car & light truck engine codes

2008-1981 — 8th Digit of vehicle identification number indicates engine identification

1980-1976 — 5th Digit of vehicle identification number indicates engine identification

To convert liters into cubic inches, multiply by 61.0250

Code	Year	(Engine) Cyl.	(Engine) C.I.D.	Carb.	Remarks
A	2008-2003	V8	281	SFI	4.6 L, Cadillac
A	1995-1992	4	138	EFI	2.3 L, Chev., Olds.
A	1995-1989	4	138	EFI	2.3 L, Chev., Olds., Pontiac
A	1987	V6	231	2	3.8 L, Buick
A	1986-1978	V8	305	4	5.0 L, Chev.
A	1976	4	140	1	2.3 L, Chev.
B	2008-2006	4		MFI	2.4 L, Chev., Pontiac, Saturn
B	2008-2006	V8	325	MFI	5.3 L, Chev./GMC Trk.
B	2002	V6	231	MFI	3.8 L, Pontiac
B	1995-1984, 1981-1978	V8	300	EFI	4.9 L, Cadillac
B	1990, 1985-1978	V8	350	4	5.7 L, Buick
B	1984-1982	4	121	2	2.0 L, Chev.
B	1979-1978	V6	231	EFI	3.8 L, Buick
B	1977-1976	V8	350	EFI	5.7 L, Buick
B	1977-1976	4	140	2	2.3 L, Chev.
C	2008-2007	V8	294	MFI	4.8 L, Chev./GMC Trk.
C	2008-2006	4	325	MFI	5.3 L, Buick, Chev., Pontiac
C	2003-1995	V8	244	EFI	4.0 L, Olds.
C	2005-1999	L4	121	EFI	2.0 L, Chev. Trk.
C	1991	V6	231	EFI	3.8 L, Olds., Pontiac, EFI
C	1991, 1979-1978	V6	189	EFI	3.1 L, Pontiac
C	1991, 1989-1988, 1982-1978	V6	231	EFI	3.8 L, Buick
C	1987-1982	4	98	2	1.6 L, Chev.
C	1986-1985	V6	231	2	3.8 L, Buick
D	2008-2006	4	134	MFI	2.2 L, Chev., Saturn
D	2008-2006	V8		MFI	4.4 L, Cadillac
D	2008-2006	V8	403	Diesel	6.6 L, Chev./GMC Trk.
D	1998-1991	V6	189	EFI	3.1 L, Olds., Pontiac
D	1998-1989	V6	189	EFI	3.1 L, Chev.
D	1995-1992	4	138	EFI	2.3 L, Pontiac
D	1995-1990	4	138	EFI	2.3 L, Olds.
D	1991-1990	4	138	EFI	2.3 L, Buick
D	1990-1988	4	140	EFI	2.3 L, Olds.
D	1988	V6	231	EFI	3.8 L, Buick
D	1986-1981	4	111	Diesel	1.8 L, Chev. (Isuzu)
D	1979-1976	V6	250	1	4.0 L, Chev.
E	2008-2007	5	223	MFI	3.7 L, Chev./GMC Trk., Hummer
E	2008-2006	V8	427	MFI	7.0 L, Chev.
E	2005-1997	6	207	MFI	3.4 L, Buick, Chev., Olds., Pontiac
E	1993-1988, 1976	V8	305	EFI	5.0 L, Chev., Olds., Pontiac
E	1992-1991, 1986-1985	V8	305	EFI	5.0 L, Buick
E	1992-1991, 1979	V8	305	EFI	5.0 L, Cadillac
E	1992-1991, 1977	V8	305	EFI	5.0 L, Olds.
E	1992-1991, 1977-1976	V8	305	EFI	5.0 L, Pontiac
E	1991	4	151	EFI	2.5 L, Chev.
E	1986	V6	181	EFI	3.0 L, Buick
E	1985-1982	V6	181	2	3.0 L, Buick
E	1979-1976	4	98	1	1.6 L, Chev.
F	2008-2006	6	207	MFI	3.4 L, Chev. Trk., Pontiac
F	2008-1999	L4	134	MFI	2.2 L, Chev., Olds., Pontiac (Canadian), Saturn
F	2002-1992	V8	395	Diesel	6.5 L, Chev./GMC Trk.

# GM passenger car & light truck engine codes

2008-1981 — 8th Digit of vehicle identification number indicates engine identification

1980-1976 — 5th Digit of vehicle identification number indicates engine identification

To convert liters into cubic inches, multiply by 61.0250

Code	Year	(Engine) Cyl.	(Engine) C.I.D.	Carb.	Remarks
F	1992-1991, 1977-1976	V8	305	N/L	5.0 L, Pontiac
F	1992-1987, 1983	V8	305	EFI	5.0 L, Chev.
F	1983-1982	4	151	2	2.5 L, Pontiac
F	1980-1976	V8	260	2	4.3 L, Olds.
G	2007-2001	8	350	MFI	8.1 L, Chev./GMC Truck
G	2004-1997	V8	350	MFI	5.7 L, Chev., Pontiac
G	1998-1990	4	134	EFI	2.2 L, Chev.
G	1988-1987, 1982	V8	305	4	5.0 L, Chev.
G	1983	V6	231	2	3.8 L, Buick
G	1982	4	112	2	1.8 L, Chev.
G	1978-1977	V8	305	2	5.0 L, Chev.
G	1976	V8	262	2	4.3 L, Chev.
H	2008-2005	V8	366	SFI	6.0 L, Chev., Chev. Truck, Pontiac
H	2002-1999	V6	215	MFI	3.5 L, Olds.
H	1999-1997	Electric			85KW, Chev. Trk.
H	1994-1992	4	121	EFI	2.0 L, Pontiac
H	1988-1987	V8	305	4	5.0 L, Chev.
H	1980-1976	V8	350	2	5.7 L, Buick
I	2002-2001	V8	403	Diesel	6.6 L, Chev/GMC Trk.
I	1995	V6	231	EFI	3.8 L, Buick
I	1988-1987	4	121	EFI	2.0 L, Chev.
I	1977-1976	4	85	1	1.4 L, Chev.
J	2008-2007	V8	325	MFI	5.3 L, Chev./GMC Trk.
J	2005-1999	V6	189	SFI	3.1 L, Buick, Chev., Olds., Pontiac
J	2003-1996	V8	454	Gas	7.4 L, Chev./GMC Trk., MFI
J	1998-1990	V8	350	EFI	5.7 L, Chev.
J	1986-1984	4	112	EFI	1.8 L, Pontiac
J	1982-1979	V8	267	2	4.4 L, Chev.
J	1977	4	98	1	1.6 L, Chev.
J	1977-1976	V8	350	4	5.7 L, Buick
K	2008-2007	V8	366	MFI	6.0 L, Chev./GMC Trk.
K	2008-2006	6	214	MFI	3.5 L, Chev.
K	2005-1995	V6	231	MFI	3.8 L, Buick, Chev., Olds., Pontiac
K	1991-1988	4	121	EFI	2.0 L, Pontiac
K	1986	4	151	2	2.5 L, Pontiac
K	1985	4	92	2	1.5 L, Chev (Isuzu)
K	1979-1977	V8	403	4	6.6 L, Olds.
L	2007-2006	6	211	MFI	3.5 L, Buick, Chev. Trk., Pontiac, Saturn
L	2006	6		MFI	2.5 L, Chev.
L	2006-2003	L4	1794-1798	SFI	1.8 L, Pontiac
L	1995-1992	V6	231	EFI	3.8 L, Pontiac
L	1995-1991, 1988, 1986	V6	231	EFI	3.8 L, Buick
L	1994-1992	V6	231	EFI	3.8 L, Chev.
L	1994-1991	V6	231	EFI	3.8 L, Olds.
L	1987-1985	V6	181	EFI	3.0 L, Buick
L	1987-1985	V6	173	EFI	2.8 L, Chev.
L	1984-1983	V6	173	2	2.8 L, Chev.
L	1980-1978	V8	350	4	5.7 L, Chev.
M	2008-2005	V8	325		5.3 L, Buick, Chevy/GMC Trk., Pontiac
M	2004-2003	L4	85	MFI	1.4 L, Chev.
M	2004-2003	V6		MFI	2.6 L, Cadillac

# GM passenger car & light truck engine codes

2008-1981 — 8th Digit of vehicle identification number indicates engine identification

1980-1976 — 5th Digit of vehicle identification number indicates engine identification

To convert liters into cubic inches, multiply by 61.0250

Code	Year	(Engine) Cyl.	(Engine) C.I.D.	Carb.	Remarks
M	2003	V6	189	MFI	3.1 L, Buick, Chev., Olds., Pontiac
M	2002-1996	V8	305	MFI	5.0 L, Chev./GMC Trk., MFI
M	2000-1990	V8			7.0 L, Chev./GMC Trk.
M	1999-1995	V6	189	EFI	3.1 L, Chev.
M	1996-1994	V6	189	EFI	3.1 L, Buick, Pontiac
M	1996-1993	V6	189	EFI	3.1 L, Olds.
M	1985	3	61	2	1.0 L, Chev (Suzuki)
N	2007	V8	366	MFI	6.0 L, Chev./GMC Trk.
N	2008-2006	6	214	MFI	3.5 L, Chev. (Canada), Chev., Pontiac
N	2006-2002	V8	368	MFI	6.0 L, Cadillac, Chev./GMC Trk. HO
N	2005-2003	V8	281	MFI	4.6 L, Cadillac
N	2004	V6	194	MFI	3.2 L, Cadillac
N	1993-1992	V6	204	EFI	3.3 L, Pontiac
N	1993-1992,1990-1989,1984-1983	V6	204	EFI	3.3 L, Olds.
N	1993-1992,1990-1989,1982-1980	V6	204	EFI	3.3 L, Buick
N	1990	V6	200	EFI	3.3 L, Olds.
O	1991	4	138	EFI	2.3 L, Pontiac
P	2008	L4		MFI	2.4 L, Chev.
P	2007-2004	4	121		2.0 L, Chev., Saturn
P	2006-2005	V8	327		5.3 L, Buick, GMC Trk.
P	2004	V8		SFI	5.8 L, Cadillac
P	2003	V8	350	MFI	5.7 L, Chev., Pontiac
P	2000-1990	V8	366		6.0 L, Chev./GMC Trk.
P	1999-1994	V8	395	Diesel	6.5 L, Chev./GMC Trk.
P	1999-1992	V8	350	EFI	5.7 L, Chev., Pontiac
P	1996-1994	V8	350	EFI	5.7 L, Buick, Cadillac
P	1992	V8	350	4	5.7 L, Pontiac
P	1986-1983	4	121	EFI	2.0 L, Chev.
P	1979	V8	260	Diesel	4.3 L, Olds.
R	2007	6	237	MFI	3.9 L, Chev.
R	2004-1997	V6	181	MFI	3.0 L, Cadillac, Pontiac (Canadian), Saturn
R	2000-1996	V8	350	MFI	5.7 L, Chev./GMC Trk.
R	1996-1993	V6	207	EFI	3.4 L, Olds., Pontiac
R	1992-1989	4	151	EFI	2.5 L, Chev.
R	1992-1991, 1989	4	151	EFI	2.5 L, Buick
R	1992-1991, 1986	4	151	N/L	2.5 L, Olds.
R	1992-1991, 1986	4	151	EFI	2.5 L, Olds.
R	1991	V6	173	EFI	2.8 L, Chev.
R	1991-1982	4	151		2.5 L, Pontiac
R	1991, 1986-1977	V6	204	EFI	3.3 L, Olds.
R	1980-1977	V8	350	4	5.7 L, Olds.
S	2008-2005	V6	256		4.2 L, Chev./GMC Trk., Buick
S	2005-2002	V8	350	SFI	5.7 L, Chev., Cadillac
S	2005-2002	L6		MFI	4.2 L, Chev./GMC Trk.
S	1999-1994	V8	395	Diesel/Turbo	6.5 L, Chev./GMC Trk.
S	1995-1993	V6	207	EFI	3.4 L, Chev., Pontiac
S	1989-1985	V6	173	EFI	2.8 L, Chev.
S	1986-1985	V6	173	2	2.8 L, Chev.
S	1986-1980	V8	305	EFI	5.0 L, Chev.
S	1981-1980	V8	265	2	4.3 L, Pontiac
T	2008-1999	V8	323	SFI	5.3 L, Chev./GMC Trk.

# GM passenger car & light truck engine codes

2008-1981 — 8th Digit of vehicle identification number indicates engine identification

1980-1976 — 5th Digit of vehicle identification number indicates engine identification

To convert liters into cubic inches, multiply by 61.0250

Code	Year	(Engine) Cyl.	(Engine) C.I.D.	Carb.	Remarks
T	2007-2006	V8	325	MFI	2.8 L, Cadillac
T	2004-1996	4	146	MFI	2.4 L, Buick, Chev., Olds., Pontiac
T	1998-1990	V6	189	EFI	3.1 L, Chev., Pontiac
T	1998-1989	V6	189	EFI	3.1 L, Buick
T	1998-1990, 1979-1978	V6	189	EFI	3.1 L, Olds.
T	1994-1993	V6	189	EFI	3.1 L, Pontiac
T	1985	V8	260	Diesel	4.3 L, Olds.
T	1985-1982	V6	260	EFI	4.3 L, Olds.
T	1979-1977	V8	301	4	4.9 L, Pontiac
T	1979-1976	V8	425	EFI	7.0 L, Cadillac
U	2007-1999	V8	366		6.0 L, Cadillac, Chev., Chev./GMC Trk., Pontiac
U	1990, 1986	4	151	EFI	2.5 L, Buick
U	1990-1985	4	151	EFI	2.5 L, Pontiac
U	1986-1983	V8	305	2	5.0 L, Chev.
V	2008	V6	217	DI	3.6 L, Cadillac
V	2007-1999	V8	292		4.8 L, Chev./GMC Trk.
V	1985-1982	V6	260	Diesel	4.3 L, Olds.
V	1980-1977	4	151	2	2.5 L, Pontiac
V	1977-1976	V8	350	2	5.7 L, Chev.
W	2008	V6	237	MFI	3.9 L, Chev. APV
W	2002-1992	V6	262	CPI	4.3 L, Chev./GMC Trk., HO
W	1999	V6	181	SFI	3.0 L, Cadillac
W	2004-1994	V8	265	EFI	4.3 L, Chev.
W	1993	V6	189	EFI	3.1 L, Chev.
W	1989	V6	173	EFI	2.8 L, Buick
W	1989-1985	V6	173	EFI	2.8 L, Chev.
W	1978	V8	301	4	4.9 L, Pontiac
X	2008-2003	V6	262	MFI	4.3 L, Chev/GMC Trk.
X	2003	V6	207	MFI	3.4 L, Chev., Olds.
X	1998-1996	V6	262	CPI	4.3 L, Chev./GMC Trk.
X	1998-1991, 1986	V6	207	EFI	3.4 L, Chev.
X	1998-1991, 1977-1976	V6	207	EFI	3.4 L, Olds., Pontiac
X	1986-1980	V6	173	2	2.8 L, Chev.
X	1979-1978	V8	350	4	5.7 L, Chev.
X	1976	V8	350	4	5.7 L, Buick
Y	2008-2007	V8	366	MFI	6.0 L, Chev./GMC Trk.
Y	2007-1993	V8	281	EFI	4.6 L, Buick, Cadillac
Y	2000-1994	V8	395	Diesel	6.5 L, Chev./GMC Trk.
Y	1991-1990, 1986-1985	V8	305	4	5.0 L, Cadillac
Y	1989	V8	305	4	5.0 L, Chev.
Z	2007-2002	V8	327	MFI	5.3 L, Chev/GMC Trk.
Z	2006-2003	L4	122	MFI	2.0 L, Cadillac, Chev.
Z	1993	V8	250	EFI	4.1 L, Cadillac
Z	1993	V6	262	EFI	4.3 L, Cadillac
Z	1993-1985	V6	262	EFI	4.3 L, Chev.
Z	1987	V6	173	EFI	2.8 L, Chev.
Z	1984-1981	V6	173	2	2.8 L, Chev.
Z	1979-1977	V8	400	4	6.6 L, Pontiac
0	2008-2007	V8	325	MFI	5.3 L, Chev./GMC Trk.
0	1986-1982	4	112	EFI	1.8 L, Pontiac (Brazil)
0	1979-1978	4	98	2	1.6 L, Chev.



# GM passenger car & light truck engine codes

2008-1981 — 8th Digit of vehicle identification number indicates engine identification

1980-1976 — 5th Digit of vehicle identification number indicates engine identification

To convert liters into cubic inches, multiply by 61.0250

Code	Year	(Engine) Cyl.	(Engine) C.I.D.	Carb.	Remarks
1	2008-2006	V6	237	MFI	3.9 L, Buick, Chev., Chev. APV, Pontiac, Saturn
1	2005-1993	V6	231	EFI	3.8 L, Chev., Buick, Olds., Pontiac
1	1998-1992	V6	231	EFI	3.8 L, Pontiac
1	1989	4	122	EFI	2.0 L, Buick, Chev.
1	1984-1982	V6	173	2	2.8 L, Chev.
1	1979-1978	4	151	2	2.5 L, Pontiac
2	2008-2006	V8	403	Diesel	6.6L, Chev./GMC Trk.
2	2007-2004	V6	231	SFI	3.8 L, Buick, Pontiac
2	2003-1998	L4	79	MFI	1.3 L, Chev. Trk., Pontiac (Canadian)
2	1990-1987	3	61	Turbo	1.0 L, Chev. (Suzuki)
2	1986-1982	4	151	EFI	2.5 L, Pontiac
2	1985-1982	V6	231	2	3.8 L, Buick
3	2008	V6	237	MFI	3.9 L, Chev.
3	2008-2007	V8	325	MFI	5.3 L, Chev./GMC Trk., Flex fuel
3	2006	V8	403	Diesel	6.6 L, Chev. Trk.
3	1995-1992	4	138	EFI	2.3 L, Buick, Olds., Pontiac
3	1993	4	138	EFI	2.3 L, Pontiac
3	1990	V8	273	EFI	4.5 L, Cadillac
3	1988-1987, 1985	V6	231	EFI	3.8 L, Buick
3	1986-1985	V6	231	4	3.8 L, Buick
4	2008	V8	325	Flex	5.3 L, Chev./GMC Trk.
4	2007-2006	V6	214	MFI	3.5 L, Saturn
4	2007-2004	V6	231	SFI	3.8 L, Pontiac
4	2004-1994	4	134	MFI	2.2 L, Chev./GMC Trk.
4	1996-1993	4	134	EFI	2.2 L, Buick, Olds.
4	2003-1992	4	134	EFI	2.2 L, Chev., Pontiac
4	1988-1985	4	98	2	1.6 L, Chev.
4	1986	V6	252	2	4.1 L, Buick
4	1986-1983, 1981-1980	V8	350	4	5.7 L, Chev.
4	1986-1980	V6	252	4	4.1 L, Buick
5	2008	V8	364	Hybrid	6.0 L, Chev./GMC Trk.
5	2008	L4		Hybrid	2.4 L, Chev., Saturn
5	2003	V8	350	MFI	5.7 L, Chev.
5	2003-1999	102AC312			Electric EVI
5	2002-2000	L4	115	MFI	2.2 L, Chev./GMC Trk.
5	2000-1998	L6	400	Diesel	6.6 L, Chev./GMC Trk.
5	1996	V8	350	MFI	5.7 L, Chev.
5	1991-1988	4	98	EFI	1.6 L, (Toyota)
5	1989-1988	V8	273	EFI	4.5 L, Cadillac
5	1987-1986	3	61	2	1.0 L, Chev. (Suzuki)
5	1983-1980	4	151	2	2.5 L, Pontiac
6	2008-2007	V8	403	Diesel	6.6 L, Chev./GMC Trk.
6	2008-2006	4		MFI	1.6 L, Chev., Pontiac (Canada)
6	2006	5	211	MFI	3.5 L, Chev./GMC Trk.
6	2004	L4	115	MFI	2.2 L, Chev./GMC Trk.
6	2003-1989	3	61	EFI	1.0 L, Chev. (Suzuki)
6	2003-1997	L4	98	MFI	1.6 L, Chev., Chev./GMC Trk.
6	1991-1988	4	98	EFI	1.6 L, (Toyota)
6	1987	4	350	4	5.7 L, Chev.
6	1980	V8	368	4	6.0 L, Cadillac
7	2008	V6	217	MFI	3.6 L, Chev./GMC Trk.

# GM passenger car & light truck engine codes

2008-1981 — 8th Digit of vehicle identification number indicates engine identification

1980-1976 — 5th Digit of vehicle identification number indicates engine identification

To convert liters into cubic inches, multiply by 61.0250

Code	Year	(Engine) Cyl.	(Engine) C.I.D.	Carb.	Remarks
7	2008-2004	V6	217	FI	3.6 L, Buick, Cadillac, Pontiac
7	2001-1999	L4	116	SFI	1.9 L, Saturn
7	1993-1992	V8	350	EFI	5.7 L, Buick, Cadillac
7	1992-1990, 1986-1982, 1980	V8	350	EFI	5.7 L, Chev.
7	1990, 1985-1984	V6	231	EFI	3.8 L, Buick
7	1988-1987	V8	250	EFI	4.1 L, Cadillac
7	1988-1986	4	92	2	1.5 L, Chev. (Isuzu)
7	1980	V6	173	2	2.8 L, Chev.
7	1979-1978	V8	305	EFI	5.0 L, Chev.
8	2008-2007	4		MFI	1.8 L, Pontiac
8	2008-2007	V8	378	MFI	6.2 L, Cadillac, Chev./GMC Trk.
8	2006	4	169	MFI	2.8 L, Chev./GMC Trk.
8	2006-2004	V6	215	SFI	3.5 L, Buick, Chev., Pontiac, Saturn
8	2005-1999	L4	108	MFI	1.8 L, Chev., Saturn
8	2001-1998	L4	116	SFI	1.9 L, Saturn
8	1998-1987, 1980-1979	V8	350	EFI	5.7 L, Chev.
8	1992-1991, 1981-1980	V8	273	EFI	4.5 L, Cadillac,
8	1988-1987, 1985-1984	V8	252	EFI	4.1 L, Cadillac
8	1986-1982	V8	250	EFI	4.1 L, Cadillac
8	1985-1984	V6	231	4	3.8 L, Buick
8	1982	V8	260	2	4.3 L, Olds.
8	1980	V8	350	EFI	5.7 L, Olds.
9	2008-2007	4	178	MFI	2.9 L, Chev./GMC Trk.
9	2006-1993	V8	281	EFI	4.6 L, Cadillac
9	2005-2004	V8	279	SFI	4.6 L, Cadillac
9	2003-1998	V8	283	MFI	4.6 L, Chev./GMC Trk.
9	1990-1989, 1981-1980	4	98	2	1.6 L, (Toyota)
9	1988-1986	4	92	Turbo	1.5 L, Chev. (Isuzu)
9	1988-1985	V6	173	EFI	2.8 L, Chev.
9	1986-1985	V6	231	EFI	3.8 L, Buick
9	1984-1980	V8	368	EFI	6.0 L, Cadillac
9	1979	4	151	2	2.5 L, Pontiac
9	1978	V6	229	N/L	3.8 L, Chev.
9	1976	V8	307	EFI	5.0 L, Olds.

# GM brake system information

General Motors "A" body cars (Buick Century, Chevrolet Celebrity, Oldsmobile Ciera, Pontiac 6000) 1995-1991 brake systems

The following information is provided to assist in identification of the brake systems used on "A" body cars.

Refer to the service parts identification label for brake system identification

Example:

Service Parts Identification														DO NOT REMOVE	
1 G 3 A R 4 7 9 X E 5 1 0 0 0 0 1															
AG	AM6	AU3	A31	A90	BMD	B34	B51	B65	B85	B93	C02	C04	C49	C60	
C90	C95	DF3	D3C	D33	D64	E5Z	E7D	FFL	F40	GG1	GU2	G60	G67	G89	
<b>JA1</b>	JA4	K05	K15	K99	LV2	MW9	MX0	NA5	NB1	NK1	NK3	N33	N67	GJW	
T87	UJ3	U23	U35	V08	V10	WC3	WG2	YT9	Y56	01L	6PH	42B	42I	42Q	
42T	409	7PH	11A	90A											
SCO # 253 PAINT LOWER BODY GM CODE 42															
LT GRAY FERN MET-1984 CUTLASS															
COLOR DUPONT CODE 397-AB154															
FISHER CODE WA 8239															
FILLERS TO BE ARGENT															
PRINTED IN USA										PART NO. 14065987					

"J" options offer brake types used by production

# Oil seal installation instructions

1. Check the bore. — The leading edge must be deburred. A rounded corner or chamfer should be provided.
2. Check the shaft. — Remove surface nicks, burrs, grooves and spiral machine marks (machine lead).
3. Check the shaft end. — Remove burrs or sharp edges. The shaft end should be chamfered in applications where the shaft enters the seal against the sealing lip.
4. Check splines and keyways. — Sharp edges should be covered with a lubricated assembly sleeve, shim stock or tape to protect the seal lip.
5. Check dimensions. — Be sure shaft and bore diameters match those specified for the seal selected.
6. Check for parts interference. — Watch out for other machine parts that might rub against the seal and cause friction and damaging heat.
7. Check the seal. — Damage may have occurred prior to installation. A sealing lip that is turned back, cut or otherwise damaged should be replaced.
8. Check seal direction. — Make sure that the new seal faces in the same direction as the original one. Generally, the lip faces the lubricant or fluid to be retained.
9. Use the correct installation tools. — Press fitting tools should have an outside diameter approximately .010" (.254 mm) smaller than the bore size. For best results, the center of the tool should be open so that pressure is applied only at the outer edge.
10. Pre-lubricate the sealing element. — Before installation, wipe the element with the lubricant being retained.
11. Never hammer directly on the surface of the seal. — Use proper driving force, such as a soft-face tool, arbor press, or soft workpiece (wood). Apply force evenly around the outer edge to avoid cocking the seal.
12. Position the seal properly in the housing and inspect for alignment and installation damage.

## After installation

1. If painting, be sure to mask seal to avoid getting paint on the lip or the shaft where lip rides. Also, mask vents so they will not become clogged.
2. If paint is to be baked or the mechanism otherwise subjected to heat, seal should not be heated to temperatures higher than the seal lip can tolerate.
3. In cleaning or testing, do not subject seals to fluids or pressures that could damage them.

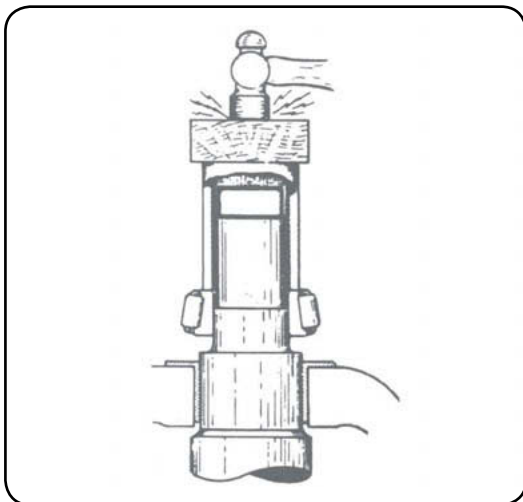
# Bearing installation instructions

Premature failure of bearings is often caused by improper procedures during handling and installation. Listed below is a check list to guide you in proper bearing care.

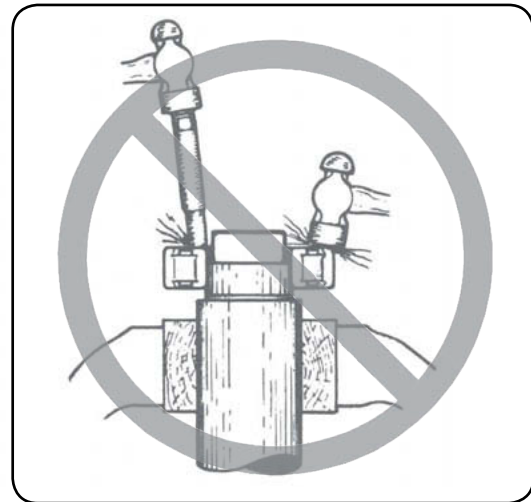
## Bearing care check list

1. Make sure work area is clean. As much dirt as possible should be removed before exposing the bearings.
2. All tools should be clean and in good condition.
3. Always handle bearings with clean, dry hands.
4. When cleaning a bearing never use a dirty or contaminated cleaning solution for final rinsing.
5. To wipe and dry bearings always use clean, lint-free cloths.
6. Do not spin a bearing with compressed air.
7. Cover cleaned or new bearings to eliminate contamination by dirt or moisture.
8. Bearing lubes should be clean and stored in sealed containers.
9. Do not clean or wash lubricant from a new bearing.
10. Inspect and clean bore of housing and shaft before installing a bearing.
11. Lubricate the bearing just prior to installation.

## Installation procedure



1. Always put the installation pressure against the ring which is the press fit.
2. Use proper tools when installing a cup to eliminate any damage to the bearing surface.

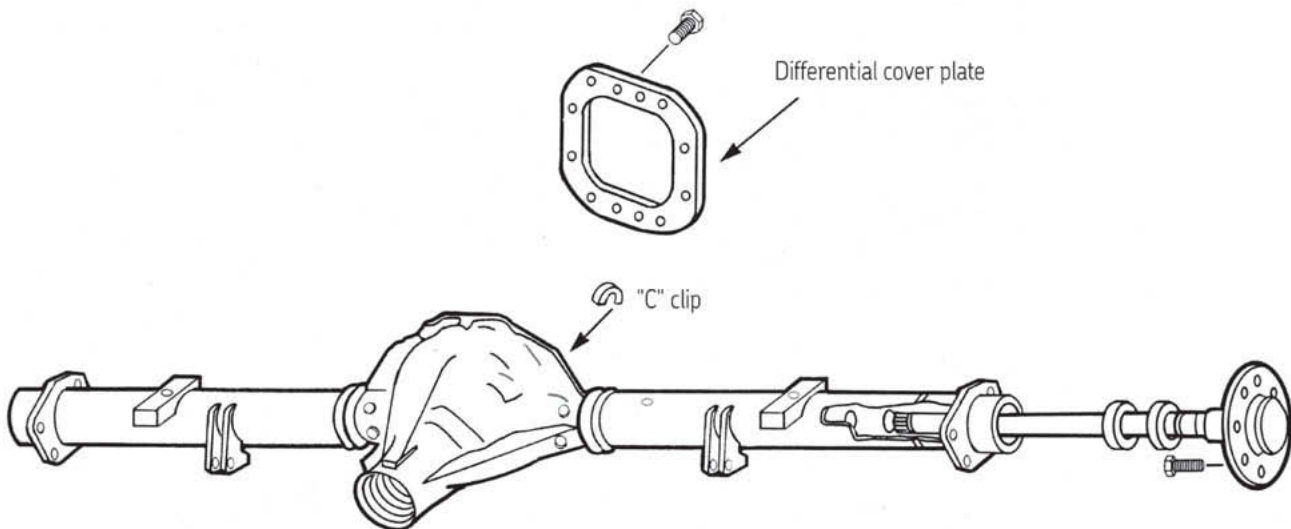


1. Never hammer directly on a bearing; it will damage the bearing and the shaft.

# Semi vs. full float axle

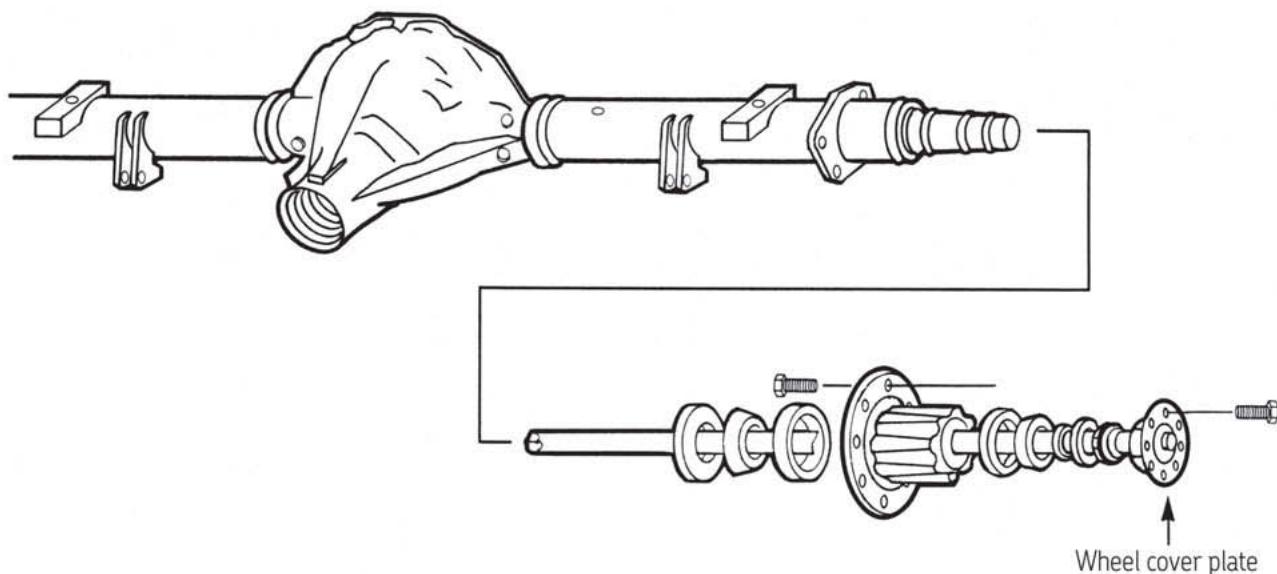
## Typical semi float axle

The typical semi float axle can not be removed without the differential cover plate and disassembling the "C" clip from the axle first.



## Typical full float axle

Pulling the axle through the center of the wheel and rim after removing the wheel cover plate bolts disassembles typical full float axles. The semi float axle can not be removed without removing the differential cover plate and disassembling the "C" clip from the axle first.



## Notes

## Notes



## Notes



## WARNING!

**Proper selection of the products listed for sale in this catalog is essential to minimize the risk of any seal, bearing or other product failure. Such failures can result in property damage or severe personal injury to operators of machinery, vehicles or to others. You must carefully evaluate the particular application on or into which you intend to install the products. Products in this catalog require installation by an experienced professional mechanic or qualified maintenance professional.**

The product properties and operating parameters described in this catalogue are based upon tests conducted by SKF or reported by others. SKF does not assume any responsibility for errors in the data published in this catalog. The life and performance of the products ultimately depend on a number of factors. These include, for example, selection of product design type, selection of materials for their different properties, handling and installation, operating conditions, including shaft surface or bore conditions, the quantity, quality and chemistry of lubricants and other factors. Severe environments can adversely affect product life or performance. For help in realizing longer SKF product life, and optimal performance for your specific application, contact SKF's Customer Services Department at 1-800-882-0008.

### LIMITED WARRANTY

SKF warrants to the first purchaser that the products sold by it, when properly installed, will be free from defects in material and workmanship. SKF's sole obligation and liability for any defect found to exist contrary to this limited warranty in a product sold by SKF, and purchaser's sole and exclusive remedy for such defect, shall be limited to: (A) SKF furnishing without additional charge to purchaser, including transportation, a replacement for any of the products sold by SKF which are found by SKF to be defective contrary to this limited warranty, and (B) in the case of products which cannot be repaired or replaced by SKF, SKF shall credit or refund to purchaser the purchase price paid therefore; provided, that SKF is advised in writing of such product non-conformance within thirty (30) days of the date of discovery thereof, and that the non-conforming product is returned f.o.b. to SKF's designated warehouse promptly thereafter, but in any case not later than twelve (12) months (twenty-four (24) months only in the case of light duty hub unit products) from the date of purchase. In no event shall SKF be obligated under this limited warranty or otherwise in any way whatsoever for normal wear and tear, or for any products sold by SKF which, after delivery by SKF and in SKF's sole determination, have been subjected to accident, abuse, misapplication, improper or faulty repair or installation, improper or faulty maintenance or lubrication, any alteration or neglect, excessive loading or other excessive operating conditions, or for defects caused by or resulting from purchaser's specifications or designs or otherwise caused by purchaser. **TO THE FURTHEST EXTENT PERMITTED UNDER APPLICABLE LAW, SKF DISCLAIMS LIABILITY, IN TORT OR CONTRACT, IN NEGLIGENCE, STRICT LIABILITY, OR OTHERWISE, FOR ANY OTHER REMEDY OR DAMAGE, WHETHER DIRECT OR INDIRECT, INCIDENTAL, SPECIAL, EXEMPLARY, OR CONSEQUENTIAL WITH RESPECT TO ITS PERFORMANCE HEREUNDER, INCLUDING WITHOUT LIMITATION THE PRODUCTS SOLD OR PROVIDED HEREUNDER BY SKF, AND ITS PROVISION OF ANY RELATED SERVICES. THIS LIMITED WARRANTY IS TO THE EXCLUSION OF ALL OTHER WARRANTIES, EXPRESS OR IMPLIED, INCLUDING WARRANTIES OF MERCHANTABILITY OR FITNESS FOR A PARTICULAR PURPOSE. COSTS INCURRED FOR ROUTINE MAINTENANCE ARE NOT COVERED BY THIS LIMITED WARRANTY.** Without limiting the generality of the foregoing, SKF specifically disclaims liability to purchaser for any loss, cost, or damage incurred as a result of equipment downtime, or loss of use or availability of worksite, lost revenues or lost profits, regardless of whether SKF is on notice of the possibility of such damage or loss and did or could have anticipated same. No other person has been authorized by SKF to undertake or make on behalf of SKF any further representation, warranty or guarantee in addition to or contrary to this limited warranty or contrary to the limitations and disclaimers provided herein. The exclusive remedies provided in this limited warranty shall not be deemed to have failed of their essential purpose so long as SKF is willing and able to perform to the extent and in the manner prescribed in this limited warranty.

**SOME STATES DO NOT ALLOW LIMITATIONS ON HOW LONG AN IMPLIED WARRANTY LASTS OR THE EXCLUSION OR LIMITATION OF INCIDENTAL OR CONSEQUENTIAL DAMAGES, SO THE ABOVE EXCLUSIONS OR LIMITATIONS MAY NOT APPLY TO YOU.** This limited warranty gives you specific legal rights, and you may also have other rights, which vary state to state.

**INFORMATION AND RETURNS:** This catalog refers to products as designed prior to its publication, and does not cover product changes made after its publication date. Inquiries can be directed to: SKF Customer Service Department, 890 North State Street, Suite 200, Elgin, IL 60123, or call 1-800-882-0008. Any error in shipment (for over-shipments in the quantity of product or for product not matching purchaser's description given in its order) is returnable for credit or replacement by SKF, provided that SKF is advised in writing by purchaser of such non-conformance within 30 days after the product's delivery to purchaser, and only after written authorization therefore is given by SKF. Approved returns must be shipped freight prepaid and arrive in good, saleable condition to qualify for credit or replacement. SKF shall not otherwise be obligated to accept the return of any products sold or distributed by it.

**NOTICE:** The SKF part numbering systems for the SKF products are proprietary to SKF. Any improper or unauthorized use of these numbering systems, including adoption or use of any of their part numbers or part number lists, even where the subject of modification or addition, is strictly prohibited and will be prosecuted by SKF as a violation of U.S. and foreign copyright, trademark and unfair competition laws. In addition, use of any SKF trademarks, trade names or packaging schemes, systems, colors or designs is likewise considered a violation of the trademarks, trade names and trade identities rights of SKF USA Inc. and their affiliates. Possible violation of such use should be brought to the attention of SKF: SKF USA Inc., 890 North State Street, Suite 200, Elgin, Illinois 60123, Attn: Catalog Manager.

# Modo de empleo del catálogo

## Sección de aplicaciones

1. Localice al fabricante.
  - Los fabricantes se listan en orden alfabético (consulte el "Índice de fabricantes" o el número de página correcta)
2. Localice el modelo.
  - Los modelos se listan dentro de la sección de cada fabricante
3. Localice la información relacionada con su aplicación.

La información de las aplicaciones se lista en forma de columnas para cada vehículo en la siguiente secuencia: Ruedas delanteras y traseras, Piñón, Diferencial, Embrague, Transeje, Caja de transferencia y Transmisión. Todas las demás aplicaciones se encuentran después de "Transmisión" en orden alfabético.
4. Localice el año.
5. Una vez que haya localizado la aplicación, lea el número de inventario de SKF a la derecha de la aplicación.
6. Para cada juego de rodamientos listado, directamente debajo se encuentran los componentes que forman el juego en la secuencia Cono/Taza.

**Esto sólo se aplica a los juegos de rodamientos donde los componentes están disponibles para comprarse de manera separada.**

---

## Códigos de nota de pie de página

- Para conocer las Guías de instalación de los Rodamientos de reparación de eje, vea la página 5B.
- ✪ Compruebe si hay disponibilidad.
- ✦ Número de parte actualizado sólo para esta aplicación. El número de parte original, listado líneas abajo, cubre otras aplicaciones.
- Utilice el anillo de expansión viejo.
- ✧ Utilice el Número de parte existente para agotar el inventario, después vuelva a ordenar el Número nuevo listado líneas abajo. Vea las página 4B para obtener la información específica.
- ▲ Se recomienda el número de parte N4068 para trabajo pesado y embragues tipo palance de 12 pulgadas.
- [ ] Indica la Cantidad requerida. Vea la página 3B para las Cantidades de paquetes de rodamientos de agujas.

# Tabla de contenido

## Aplicaciones

Índice de los modelos de fabricantes.....	6B
Aplicaciones para vehículos de pasajeros, camionetas ligeras y medianas.....	1

## Información

Lista de abreviaturas.....	3B
Cantidad de paquetes de rodamientos de agujas sueltos.....	3B
Lista de reemplazos .....	4B
Conjunto de rodamiento de reparación de eje .....	5B
Ubicación de sellos y rodamientos, vehículos de pasajeros con tracción en las ruedas delanteras.....	11B
Ubicación de sellos y rodamientos, vehículos de pasajeros con tracción en las ruedas traseras y camionetas con tracción en 2 ruedas .....	12B
Ubicación de sellos y rodamientos, vehículos de pasajeros y camionetas ligeras con tracción en las 4 ruedas .....	13B
Identificación de las transmisiones/transejes automáticos Ford/Lincoln/Mercury.....	14B
Identificación de las transmisiones manuales y ejes traseros Ford/Lincoln/Mercury.....	15B
Identificación de los motores Ford.....	19B
Códigos de las transmisiones/transejes automáticos General Motors.....	25B
Identificación de los ejes General Motors .....	26B
Identificación de los motores General Motors .....	27B
Sistema de frenos General Motors.....	34B
Instrucciones de instalación de los sellos de aceite .....	35B
Instrucciones de instalación de los rodamientos.....	36B
Eje semi flotante frente a eje completamente flotante.....	37B
Conjuntos de reparación de eje SPEEDI-SLEEVE .....	642
Instrucciones de instalación de los SPEEDI-SLEEVE.....	644
Listado de tamaños de SPEEDI-SLEEVE (pulgadas) .....	646
Listado de tamaños de SPEEDI-SLEEVE (sistema métrico decimal) .....	653
Listado de tamaños de los juegos de SPEEDI-SLEEVE/sellos de grasa.....	660
Juegos de fundas de aplastamiento .....	661
Contenido del kit de diferencial para servicio liviano .....	664
Contenido del kit de cárter de transferencia para servicio liviano .....	686
Contenido del kit de transmisión para servicio liviano .....	708
Cojinetes de apoyo del eje impulsor—Tipos.....	716
Cojinetes de apoyo del eje impulsor—Lista numérica .....	717

# Cantidad de paquetes de rodamientos de agujas sueltos

No. de rodamiento	Cant. por paquete	No. de rodamiento	Cant. por paquete	No. de rodamiento	Cant. por paquete	No. de rodamiento	Cant. por paquete
C407-Q	52	C1110-Q	16	Q8371	110	QAR29523	15
C436-Q	45	B1316-Q	52	Q13367	48	QAR33724	42
C437-Q	61	W1518-Q	20	Q15902	14	QAR34604	17
S444-Q	160	W1590-Q	18	Q15902-F	14	QA47838	52
O513-Q	14	Q6086	36	QA19792	14	QA48181	444
C1086-Q	23	Q8308	116	QBR23549	16	QBR49845	15

## Lista de abreviaturas

1st..... Primera	EFI..... Inyección electrónica de combustible	NPG..... Engrane de nuevo proceso
2nd..... Segunda	Eng(s)..... Motor(es)	O.D. .... Diámetro exterior
3rd ..... Tercero	Exc..... Excepto	O/D..... Sobremarcha
4th..... Cuarto	Ext..... Extensión	OE ..... Equipo original
5th..... Quinto	F.C. .... Control hacia adelante	OEM..... Fabricante del equipo original
2 W/D ..... Tracción en dos ruedas	Flg(d)..... Brida	O.H.C..... Árbol de levas en la cabeza
4 W/D ..... Tracción en las cuatro ruedas	Frt..... Frente	OHV..... Válvulas en la cabeza
2 W/S..... Dirección en 2 ruedas	F.W.D..... Tracción en las ruedas delanteras	oz..... Onzas
4 W/S..... Dirección en las 4 ruedas	Gen..... Generador	Pass..... Pasajeros
ABS..... Sistema de frenos antibloqueo	Gr ..... Engrane	P/C..... Vehículo de policía
A/C ..... Aire acondicionado	G.V.W. .... Peso bruto del vehículo	Pkg..... Paquete
Acsry..... Accesorio	H.D. .... Servicio pesado	Prkg..... Estacionamiento
Adj..... Ajustable	Hi-Perf ..... Alto rendimiento	Pwr ..... Potencia
Aft..... Después	Hi-Temp .... Alta temperatura	Rev ..... Reversa
Alt..... Alternador	HO ..... Gran rendimiento	R.H. .... Derecha
Alum ..... Aluminio	H.P..... Caballos de potencia	Rr ..... Trasero
Amp ..... Amperio	HSC..... Combustión de alta turbulencia	R.W.D..... Tracción en las ruedas traseras
Assy..... Conjunto	Hsg(s)..... Carcasa(s)	SC..... Supercomprimido
Auto ..... Automático	Hyd..... Hidráulico(a)	Sed..... Sedan
Aux..... Auxiliar	I/C..... Enfriador intermedio	SEFI ..... Inyección secuencial de combustible de puertos múltiples
A.W.D. .... Tracción en todas las ruedas	I.D..... Diámetro interior	Ser ..... Número de serie
Bbl..... Garganta	Incl ..... Incluye	Ser. No..... Número de serie
Bef..... Antes	Inj ..... Inyección	Sh..... Flecha
Brg(s)..... Rodamientos	Inn..... Interior	SOHC..... Un solo árbol de levas en la cabeza
Brk(s)..... Frenos	lb(s) ..... Libra(s)	Spdl..... Espiga
Carb ..... Carburador	L ..... Litro	Spd..... Velocidad
Cat..... Caterpillar	LD..... Servicio ligero	Specs ..... Especificaciones
cc..... Centímetros cúbicos	L.H. .... Izquierdo	Sta..... Estación
CFI..... Inyección central de combustible	Limo..... Limusina	Std..... Estándar
Chas..... Chasis	LP..... Producción limitada	Strg ..... Dirección
Chev ..... Chevrolet	Lt..... Ligero	T/C..... Turbocompresor
Comm ..... Comercial	Man..... Manual	THM..... Turbo Hydramatic
Comp ..... Compresor	Med..... Mediano	Trans ..... Transmisión
C.P.S..... Dirección de punto central	MFI..... Inyección de combustible de puertos múltiples	Trk ..... Camioneta
Ctr ..... Mostrador	Mfr ..... Fabricante	Turbo..... Turbocomprimido
Cu. In..... Pulgadas cúbicas	Misc..... Varios	Vin..... Número de identificación del vehículo
Cvr..... Cubierta	ml..... Mililitros	VV..... Venturi variable
Cyl..... Cilindro	mm ..... Milímetro	w/ ..... Con
Del..... Entrega	M.H.C..... Chasis de casa rodante	w/o ..... Sin
Dia..... Diámetro	Mtg..... Montaje	W.B. .... Distancia entre ejes
Diff ..... Diferencial	No(s) ..... Número(s)	Wgn ..... Vagoneta
DOHC..... Dos árboles de levas en la cabeza	NP ..... Nuevo proceso	Whl(s) ..... Ruedas(s)
D.S.O..... Orden especial doméstica		

# Lista de reemplazo automotriz (2010)

No. de inventario existente	No. de inventario nuevo	Acción requerida	Tipo de reemplazo
208	808	Utilice el No. de inventario existente y después vuelva a ordenar con el No. nuevo	S
663	666	Utilice el No. de inventario existente y después vuelva a ordenar con el No. nuevo	S
1214	1224	Utilice el No. de inventario existente y después vuelva a ordenar con el No. nuevo	S
6203	6903	Utilice el No. de inventario existente y después vuelva a ordenar con el No. nuevo	S
6315	6925	Utilice el No. de inventario existente y después vuelva a ordenar con el No. nuevo	S
6316	6916	Utilice el No. de inventario existente y después vuelva a ordenar con el No. nuevo	S
6413	6913	Utilice el No. de inventario existente y después vuelva a ordenar con el No. nuevo	S
7210	7473	Utilice el No. de inventario existente y después vuelva a ordenar con el No. nuevo	S
16013	16413	Utilice el No. de inventario existente y después vuelva a ordenar con el No. nuevo	S
16015	16415	Utilice el No. de inventario existente y después vuelva a ordenar con el No. nuevo	S
16017	16427	Utilice el No. de inventario existente y después vuelva a ordenar con el No. nuevo	S
16019	16429	Utilice el No. de inventario existente y después vuelva a ordenar con el No. nuevo	S
16021	16441	Utilice el No. de inventario existente y después vuelva a ordenar con el No. nuevo	S
16022	16442	Utilice el No. de inventario existente y después vuelva a ordenar con el No. nuevo	S
16036	16446	Utilice el No. de inventario existente y después vuelva a ordenar con el No. nuevo	S
16038	16448	Utilice el No. de inventario existente y después vuelva a ordenar con el No. nuevo	S
16040	16449	Utilice el No. de inventario existente y después vuelva a ordenar con el No. nuevo	S
16044	16404	Utilice el No. de inventario existente y después vuelva a ordenar con el No. nuevo	S
19799	20031	Utilice el No. de inventario existente y después vuelva a ordenar con el No. nuevo	C
29288	29188	Utilice el No. de inventario existente y después vuelva a ordenar con el No. nuevo	S
29292	29192	Utilice el No. de inventario existente y después vuelva a ordenar con el No. nuevo	S
29675	29676	Utilice el No. de inventario existente y después vuelva a ordenar con el No. nuevo	S
N1467	N1610	Utilice el No. de inventario existente y después vuelva a ordenar con el No. nuevo	S
N1708	N1743	Utilice el No. de inventario existente y después vuelva a ordenar con el No. nuevo	S
N2001	N1181	Utilice el No. de inventario existente y después vuelva a ordenar con el No. nuevo	S
N3006	N2043	Utilice el No. de inventario existente y después vuelva a ordenar con el No. nuevo	S
N3008	N3064	Utilice el No. de inventario existente y después vuelva a ordenar con el No. nuevo	S
N3011	N2043	Utilice el No. de inventario existente y después vuelva a ordenar con el No. nuevo	S
BR930403	BR930701	Utilice el No. de inventario existente y después vuelva a ordenar con el No. nuevo	S

S Pieza reemplazada - el número de pieza existente mostrará el código pop 'S'.

C Pieza consolidada - el número de pieza existente mostrará el código pop activo debido a que no tiene aplicaciones automotrices.

# Conjunto de rodamiento de reparación de eje

Ciertos rodamientos de rueda trasera utilizan el eje como la pista interior; o sea que los rodillos del rodamiento se mueven directamente sobre la flecha del eje. Los rodillos pueden producir, por desgaste, una ranura en el eje. Hasta la fecha la única solución que existía era el reemplazo del eje, una aproximación costosa a la reparación del vehículo. Ahora, los ejes desgastados se pueden volver a utilizar si se instala nuestro conjunto de reparación de rodamiento de eje.

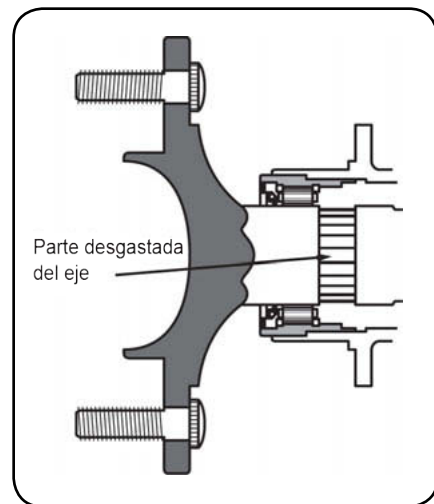
Simplemente instale el nuevo conjunto de reparación de rodamiento de eje en la maza de la rueda. Los rodillos y el sello del nuevo conjunto de reparación de rodamiento ahora girarán en una porción sin desgaste del eje. El conjunto de reparación de rodamiento de eje sustituye al rodamiento y al sello convencional y por lo tanto no requiere de piezas adicionales. El rodamiento de reparación se fabrica en dos modelos. El modelo más común es un rodamiento de reparación sencillo sellado que recibe la lubricación del diferencial. El segundo modelo es un rodamiento de reparación doble sellado. Este rodamiento está prelubricado de por vida y no necesita de ningún lubricante del diferencial para mantener su funcionamiento.

Sólo seis números de pieza R1559, R1561-F, R1561-G, R1563, R57509 y R59047 cubren los ejes más vendidos de Chrysler, Ford y GM. Cada conjunto de rodamiento de reparación viene listo para instalarse y de esta manera obtener un servicio rápido y confiable. Para su conveniencia los conjuntos de rodamiento se listan en la sección de aplicaciones de este catálogo. Únicamente busque el vehículo en cuestión, el sello y el rodamiento convencional y se listan los conjuntos de reparación de rodamiento de eje donde están disponibles.

Antes de la instalación, recuerde comprobar siempre la profundidad del alojamiento del tubo del eje. Compruebe esta profundidad contra el ancho del rodamiento de reparación. Algunos modelos tienen el tubo del eje más estrecho, lo cual no permitirá que el rodamiento asiente por completo.

## Embalador de rodamientos cónicos - BP270

- El embalador de rodamientos SKF ayuda a realizar un trabajo profesional
- Ayuda a mantener un ambiente limpio esencial para la vida del rodamiento
- Proporciona la eliminación completa de la grasa vieja y la instalación de la grasa nueva
- El embalador trae economizadores de grasa para los rodamientos grandes
- Se incluyen instrucciones completas



# Índice de fabricante por modelo

Fabricante y modelo	Página	Fabricante y modelo	Página	Fabricante y modelo	Página
<b>ACURA</b> .....	1	<b>BMW—(Continuación)</b>		<b>CADILLAC (tracción en las ruedas</b>	
2.2L .....	1	318i .....	28	<b>delanteras)—(Continuación)</b>	
2.5TL .....	1	318is .....	28	Cimarron .....	49
3.0CL .....	1	320i .....	28	DeVille (A partir de 1985) .....	49
3.2TL .....	1	325 .....	28	DeVille Concours .....	49
3.5RL .....	1	325e .....	28	Eldorado (A partir de 1967) .....	49
Integra .....	1	325es .....	28	Fleetwood (A partir de 1985) .....	49
Legend .....	1	325i .....	28	Seville (A partir de 1980) .....	49
NSX .....	1	325ic .....	28	<b>CADILLAC (tracción en las ruedas</b>	
<b>ALFA ROMEO</b> .....	3	325is .....	28	<b>traseras)</b> .....	52
<b>AM GENERAL</b> .....	4	325iX .....	28	Calais .....	52
Hummer .....	4	524td .....	28	Commercial Chassis .....	52
Hummer H1 .....	4	525i .....	28	DeVille (Durante todo 1984) .....	52
<b>AMERICAN MOTORS</b> .....	5	528e .....	28	Fleetwood (Durante todo 1984) .....	52
Alliance (vea-Renault) .....	582	528i .....	28	Fleetwood Brougham .....	52
Ambassador .....	5	530i .....	28	Limousine .....	52
American .....	8	533i .....	28	Seville (Durante todo 1979) .....	52
AMX (1978) .....	10	535i .....	28	<b>CHECKER MOTORS CORP</b> .....	56
AMX (Durante todo 1974) .....	8	630CSi .....	28	<b>CHEVROLET (tracción en las ruedas</b>	
Classic .....	13	633CSi .....	28	<b>delanteras)</b> .....	58
Concord .....	10	635CSi .....	28	Beretta .....	58
Eagle .....	16	733i .....	28	Cadet .....	58
Fuego (vea-Renault) .....	582	735i .....	28	Cavalier .....	58
Gremlin .....	10	840 .....	28	Celebrity .....	59
Hornet .....	10	850 .....	28	Citation .....	59
Javelin .....	8	Bavaria .....	28	Corsica .....	58
Marlin .....	13	M3 .....	28	Lumina .....	59
Matador .....	18	M5 .....	28	Monte Carlo (A partir de 1995) .....	59
Pacer .....	10	M6 .....	28	Nova (1988-1985) .....	61
Rambler .....	13	<b>BUICK (tracción en las ruedas</b>		Spectrum .....	61
Rebel .....	18	<b>delanteras)</b> .....	33	Sprint .....	61
Rogue .....	13	Century (1995-1982) .....	33	<b>CHEVROLET (tracción en las ruedas</b>	
Spirit .....	10	Electra/Park Ave. .....	35	<b>traseras)</b> .....	63
Typhoon .....	13	LeSabre (A partir de 1986) .....	35	Acadian .....	68
<b>ASTON MARTIN</b> .....	20	Reatta .....	35	Acadian Beaumont .....	71
<b>AUDI</b> .....	20	Regal (A partir de 1988) .....	36	Bel Air .....	63
100 .....	20	Riviera (A partir de 1979) .....	35	Berlinetta .....	71
200 .....	20	Skyhawk (A partir de 1982) .....	36	Biscayne .....	63
4000CS .....	20	Skylark (A partir de 1986) .....	36	Brookwood .....	63
Serie 5000 .....	20	Skylark (1985-1980) .....	33	Camaro .....	71
80 .....	20	Somerset .....	36	Caprice .....	63
90 .....	20	<b>BUICK (tracción en las ruedas</b>		Chevelle .....	71
A6 .....	20	<b>traseras)</b> .....	38	Chevette .....	77
Fox .....	20	Apollo .....	43	Chevy II .....	68
Quattro .....	20	Centurion .....	38	Concours .....	71
S4 .....	20	Century (1981-1973) .....	45	Corsa .....	78
S6 .....	20	Century (Durante todo 1958) .....	38	Corvair .....	78
Super 90 .....	20	Electra (Durante todo 1984) .....	38	Corvette .....	79
<b>AUSTIN</b> .....	25	Estate Wagon .....	38	Delray .....	63
<b>AUSTIN HEALY</b> .....	26	Gran Sport .....	45	Deluxe .....	63
<b>AVANTI II</b> .....	27	Invicta .....	38	El Camino .....	71
Avanti (vea-Studebaker) .....	591	LeSabre (Durante todo 1985) .....	38	Fleetmaster .....	63
<b>BERTONE</b> .....	27	Limited .....	38	Greenbrier .....	71
X1/9 .....	27	Regal (Durante todo 1987) .....	45	Impala (Durante todo 1995) .....	63
<b>BMW</b> .....	28	Riviera (Durante todo 1978) .....	38	Kingswood .....	63
1600/2 .....	28	Roadmaster .....	38	Laguna .....	71
1800 .....	28	Skyhawk (Durante todo 1980) .....	43	Malibu (Durante todo 1983) .....	71
2000 .....	28	Skylark (Durante todo 1979) .....	45	Monte Carlo (Durante todo 1988) .....	71
2000CA .....	28	Special (A partir de 1961) .....	45	Monza .....	83
2000CS .....	28	Special (Durante todo 1960) .....	38	Nomad .....	71
2000Ti .....	28	Sportwagon .....	45	Nova (Durante todo 1979) .....	68
2002 .....	28	Wildcat .....	38	One-Fifty .....	63
2002A .....	28	<b>CADILLAC (tracción en las ruedas</b>		Parkwood .....	63
2002Ti .....	28	<b>delanteras)</b> .....	49	Spyder .....	78
318CM42 .....	28	Allante .....	49	Stingray .....	79



# Índice de fabricante por modelo

Fabricante y modelo	Página
<b>CHEVROLET (tracción en las ruedas traseras)—(Continuación)</b>	
Townsmen .....	63
Two-Ten .....	63
Vega.....	83
Z-28 (Camaro).....	71
<b>CHEVROLET, VEHÍCULO TODO TERRENO</b>	85
Lumina, todo terreno.....	85
<b>CHEVROLET, CAMIONETA</b>	85
Astro.....	85
Beauville.....	95
Blazer.....	100
Caballero.....	92
Caravan.....	95
Chevy Van.....	95
El Camino (vea-Passenger RWD).....	71
LLV (Servicio postal).....	91
Luv.....	85
S10.....	85
S10 Blazer.....	85
Silverado de 1/2 Ton.....	100
Silverado de 3/4 Ton.....	113
Silverado de 1 Ton.....	124
Sprint.....	92
Suburban de 1/2 Ton.....	100
Suburban de 3/4 Ton.....	113
Tiltmaster.....	135
Furgonetas G10, G20, G30 de 1/2, 3/4, 1 Ton.....	95
1500 (Serie C), 1500 (Serie K), 1500 (Serie R), 1500 (Serie V), C10, D10, K10, P10 de 1/2 Ton.....	100
2500 (Serie C), 2500 (Serie K), 2500 (Serie R), 2500 (Serie V), C20, D20, K20, P20 de 3/4 Ton.....	113
3500 (Serie C), 3500 (Serie K), 3500 (Serie R), 3500 (Serie V), C30, D30, K30, P30 de 1 Ton.....	124
Serie W, Serie 40, Serie 50, Serie 60, Serie 70 de 1 1/2 Ton, 2 Ton, 2 1/2 Ton.....	135
<b>CHRYSLER (tracción en las ruedas delanteras)</b>	167
300.....	168
Cirrus.....	167
Concorde.....	168
E Class/New Yorker (1993-1983).....	169
Fifth Avenue.....	169
Imperial.....	169
Laser (Durante todo 1986).....	169
Le Baron (A partir de 1982).....	169
New Yorker (A partir de 1994).....	168
New Yorker/E Class (1993-1983).....	168
Sebring.....	171
TC.....	168
Town & Country (1988-1983).....	168
Town & Country (A partir de 1990).....	171
<b>CHRYSLER (tracción en las ruedas traseras)</b>	172
300.....	172
Conquest (A partir de 1987).....	172
Cordoba.....	172
Crown (Imperial).....	178
Fifth Avenue.....	172

Fabricante y modelo	Página
<b>CHRYSLER (tracción en las ruedas traseras)—(Continuación)</b>	
Imperial (Durante todo 1983).....	178
Le Baron (Durante todo 1981).....	172
Newport.....	172
New Yorker (Durante todo 1982).....	172
Saratoga.....	172
Town & Country (Durante todo 1982).....	172
Windsor.....	172
<b>CHRYSLER (modelos Canadienses)</b>	180
<b>CONTINENTAL, VEHÍCULO DE PASAJEROS vea Lincoln (tracción en las ruedas delanteras), (tracción en las ruedas traseras)</b>	424
<b>DAEWOO</b>	181
<b>DAIHATSU</b>	181
<b>DELOREAN</b>	181
<b>De SOTO (vea-Dodge)</b>	201
<b>DODGE, VEHÍCULO DE PASAJEROS (tracción en las ruedas delanteras)</b>	182
400.....	182
600.....	182
Aries.....	182
Avenger.....	182
Caravan.....	193
Charger (A partir de 1983).....	188
Colt (A partir de 1979).....	185
Colt Vista Wagon (Durante todo 1991).....	185
Daytona.....	182
Dynasty.....	182
Grand Caravan.....	193
Intrepid.....	189
Lancer (A partir de 1985).....	182
Mini Ram Van.....	193
Monaco.....	190
Neon.....	190
Omni.....	188
Rampage.....	188
Royal Ram Van.....	193
Shadow.....	182
Spirit.....	182
Stealth.....	191
Stratus.....	192
<b>DODGE, VEHÍCULO DE PASAJEROS (tracción en las ruedas traseras)</b>	195
Adventurer.....	201
Aspen.....	197
Challenger (Durante todo 1974).....	197
Challenger (A partir de 1978).....	195
Charger (Durante todo 1978).....	201
Colt (Durante todo 1979).....	195
Colt Wagon (Durante todo 1980).....	195
Conquest (Durante todo 1986).....	195
Coronet.....	201
Dart.....	197
De Soto.....	201
Demon.....	197
Diplomat.....	201
Firedome.....	201
Fireflite.....	201
Firesweep.....	201
Lancer.....	197
Magnum XE.....	201
Mirada.....	201
Monaco (Durante todo 1978).....	201

Fabricante y modelo	Página
<b>DODGE, VEHÍCULO DE PASAJEROS (tracción en las ruedas traseras)—(Continuación)</b>	
Polara.....	201
St. Regis.....	201
Super Bee.....	201
Swinger.....	197
Viper.....	206
<b>DODGE (modelos Canadienses)</b>	206
Colt 100.....	206
Colt 200.....	206
<b>DODGE, CAMIONETA</b>	207
Dakota.....	216
D-50 Pickup.....	207
Power Ram 50.....	207
Raider.....	207
Ram 50.....	207
Ramcharger.....	216
Ram Van.....	211
Ram Wagon.....	211
Furgonetas (Modelos con tracción en las ruedas traseras, todas las Series).....	211
AD, AW, D, P, W 100, 150, R1500 de 1/2 Ton.....	216
D, P, W 200, 250, R2500 de 3/4 Ton.....	226
D, M, P, W 300, 350, R3500 de 1 Ton.....	235
400, Serie 500 de 1 1/2, 2 Ton.....	244
<b>EAGLE</b>	247
Medallion.....	247
Premier.....	247
Summit.....	248
Talon.....	250
Vision.....	251
<b>EAGLE (modelos Canadienses)</b>	252
2000 GTX.....	252
Vista.....	252
<b>EDSEL</b>	254
<b>FERRARI</b>	255
<b>FIAT</b>	255
<b>FORD BRITISH</b>	266
<b>FORD (tracción en las ruedas delanteras)</b>	257
Aspire.....	257
Contour.....	258
Escort.....	258
EXP.....	258
Festiva.....	257
Fiesta.....	261
Probe.....	262
Taurus.....	264
Tempo.....	258
Windstar.....	265
<b>FORD (tracción en las ruedas traseras)</b>	267
Boss.....	284
Cobra.....	284
Country Sedan.....	267
Country Squire.....	267
Crown Victoria.....	267
Custom.....	267
CustomLine.....	267
Elite.....	273
Fairlane (1970-1962).....	273
Fairlane (1961-1955).....	267
Fairmont.....	276

# Índice de fabricante por modelo

Fabricante y modelo	Página	Fabricante y modelo	Página	Fabricante y modelo	Página
<b>FORD (tracción en las ruedas traseras)—(Continuación)</b>		<b>GMC, CAMIONETA—(Continuación)</b>		<b>JEEP—(Continuación)</b>	
Falcon.....	279	Transmode.....	135	Renegade (Jeep CJ).....	398
Futura.....	279	Yukon XL.....	113	Scrambler (Jeep CJ).....	398
Galaxie.....	267	Furgonetas G15, G25, G35, Vandura de 1/2, 3/4, & 1 Ton.....	95	Sedan Delivery.....	405
Ghia (Mustang).....	284	1500 (Serie C), 1500 (Serie K), 1500 (Serie R), 1500 (Serie V), C15, D15, K15 de 1/2 Ton.....	100	Station Wagon.....	405
Grabber (Maverick).....	276	2500 (Serie C), 2500 (Serie K), 2500 (Serie R), 2500 (Serie V), C25, K25, P25 de 3/4 Ton.....	113	Camionetas-Gladiator, FC150, FC170, Serie J, 4-73, 4-73HT, 4-75, 475, 6-226.....	413
Gran Torino (Torino).....	273	3500 (Serie C), 3500 (Serie K), 3500 (Serie R), 3500 (Serie V), C35, D35, K35, P35 de 1 Ton.....	124	Wagoneer.....	405
Granada.....	281	Serie 4500, 5500, 6500, 7500 de 1 1/2, 2, 2 1/2 Ton.....	135	Wrangler.....	398
Grande.....	284	<b>HILLMAN</b> .....	358	<b>KIA</b> .....	419
GT (Fairlane).....	273	<b>HINO, CAMIONETA</b> .....	359	Sephia.....	419
GTA (Fairlane).....	273	<b>HONDA</b> .....	359	<b>KIA, CAMIONETA</b> .....	420
LTD (A partir de 1983).....	281	<b>HONDA TRUCK, CAMIONETA</b> .....	367	Sportage.....	420
LTD (Durante todo 1982).....	267	<b>HUMBER</b> .....	368	<b>LADA (modelos Canadienses)</b> .....	421
LTD II.....	273	<b>HYUNDAI</b> .....	368	<b>LADA, CAMIONETA (modelos Canadienses)</b> .....	421
Mach 1 (Mustang).....	284	<b>IHC LIGHT, CAMIONETA</b> .....	371	<b>LANCIA</b> .....	421
Maverick.....	276	Metro AM 80, 85, CM 75, 80, 85, 100, 110, 120, 130.....	374	<b>LEXUS (tracción en las ruedas delanteras)</b> .....	422
Mustang.....	284	Metro 700, 800, 900, 1100.....	374	<b>LEXUS (tracción en las ruedas traseras)</b> .....	423
Mustang II.....	284	Metro 1200, 1400, 1500, 1600, 1700.....	374	<b>LINCOLN (tracción en las ruedas delanteras)</b> .....	424
Pinto.....	290	Pickup y Travelall 100, 150, 200, 500.....	378	Continental (A partir de 1988).....	424
Ranchero.....	273	Scout 80, 800, 800A, 800B.....	371	<b>LINCOLN (tracción en las ruedas traseras)</b> .....	424
Runabout (Pinto).....	290	Scout II.....	371	Continental (Durante todo 1987).....	424
Thunderbird.....	292	1/2 -1 Ton-Model 100, 110, 120, 130; 190 durante todo 1300 A-B-C-D-L-R-S Series.....	374	Cosmopolitan (Lincoln).....	424
Torino.....	273	<b>INFINITI (tracción en las ruedas delanteras)</b> .....	386	Mark III, IV, V, VI, VII, VIII.....	424
<b>FORD, CAMIONETA</b> .....	296	<b>INFINITI (tracción en las ruedas traseras)</b> .....	387	Premiere.....	424
Aerostar.....	296	<b>ISUZU</b> .....	388	Town Car.....	424
Bronco.....	301	I-Mark.....	388	Versailles.....	428
Bronco II.....	296	Impulse.....	388	<b>LOTUS</b> .....	428
Club Wagon (Econoline).....	307	Stylus.....	388	<b>MASERATI</b> .....	429
Courier.....	306	<b>ISUZU, CAMIONETA</b> .....	390	<b>MAZDA (tracción en las ruedas delanteras)</b> .....	429
Econoline.....	307	Amigo.....	390	323.....	429
F250(Super Duty).....	322	EVR.....	395	626.....	429
F350(Super Duty).....	332	FRR.....	395	GLC.....	429
F450(Super Duty).....	340	FSR.....	395	MX-3.....	429
F550(Super Duty).....	340	FTR.....	395	MX-6.....	429
Ranger.....	296	FVR.....	395	Millenia.....	429
Furgonetas de 1/2, 3/4, 1 Ton.....	307	NNR.....	395	Protege.....	429
Serie F100, F150, P100, F1 de 1/2 Ton.....	313	Pickup.....	390	<b>MAZDA (tracción en las ruedas traseras)</b> .....	432
Serie F250, D, F2 de 3/4 Ton.....	322	Rodeo.....	390	616.....	432
F350 y Super Duty, Serie F53, F59, P350, P3500; F3, P3 de 1 Ton.....	332	Trooper.....	390	618.....	432
Serie 500, 550, 600, 700, 800 de 1 1/2, 2 1/2 Ton.....	340	Trooper II.....	390	626.....	432
<b>FUSO, CAMIONETA</b> .....	354	<b>IVECO, CAMIONETA</b> .....	395	808.....	432
<b>GEO</b> .....	355	<b>JAGUAR</b> .....	396	929.....	432
Metro.....	355	<b>JEEP</b> .....	398	Cosmo.....	432
Prizm.....	355	Cherokee.....	405	GLC.....	432
Spectrum.....	355	Chief.....	405	Mizer.....	432
Storm.....	355	Comanche.....	405	MX-5.....	432
Sunfire.....	355	Commando (Jeep CJ, DJ).....	398	R100.....	432
Tracker.....	357	Grand Cherokee.....	405	RX2.....	432
<b>GMC, CAMIONETA</b> .....	85	Grand Wagoneer.....	413	RX3.....	432
Caballero.....	92	Jeepsters VJ.....	398	RX7.....	432
Gaicho.....	95	Laredo.....	405	<b>MAZDA MPV</b> .....	436
Jimmy.....	100	Pioneer.....	405	<b>MAZDA, CAMIONETA</b> .....	437
Rally.....	124			B1600.....	437
Safari.....	85			B1800.....	437
Sierra de 1/2 Ton.....	100			B2000.....	437
Sierra de 3/4 Ton.....	113			B2200.....	437
Sierra de 1 Ton.....	124				
Sprint.....	92				
Suburban.....	100				
S15.....	85				
S15 Jimmy.....	85				

# Índice de fabricante por modelo

Fabricante y modelo	Página	Fabricante y modelo	Página	Fabricante y modelo	Página
<b>MAZDA, CAMIONETA—(Continuación)</b>		<b>mitsubishi (tracción en las ruedas</b>		<b>OLDSMOBILE (tracción en las</b>	
B2300.....	437	<b>traseras)</b> .....	483	<b>ruedas traseras)</b> .....	513
B2500.....	437	Starion .....	483	4-4-2 .....	513
B2600.....	437	Van/Wagon.....	483	88 (Durante todo 1985).....	513
B3000.....	437	<b>MITSUBISHI EXPO/EXPO-LRV</b> .....	484	98 (Durante todo 1984).....	513
B4000.....	437	<b>MITSUBISHI, CAMIONETA</b> .....	485	Custom Cruiser .....	513
Navajo.....	437	Montero.....	485	Cutlass (Durante todo 1987).....	519
Rotary Pickup.....	437	Pickup.....	485	Cutlass Wagon (Durante todo 1987).....	519
<b>MERCEDES BENZ</b> .....	440	<b>MORRIS</b> .....	488	Delta 88 (Durante todo 1985).....	513
<b>MERCURY (tracción en las ruedas</b>		<b>NISSAN, VEHÍCULO DE PASAJEROS</b>		F-85 .....	
<b>delanteras)</b> .....	443	<b>(tracción en las ruedas delanteras)</b> .....	488	Jetstar .....	513
Capri (A partir de 1991).....	443	200SX.....	488	Omega (Durante todo 1979).....	523
LN7.....	444	310.....	488	Starfire (Durante todo 1966).....	513
Lynx.....	444	Altima.....	488	Starfire (A partir de 1975).....	523
Mystique.....	446	F10.....	488	Vista Cruiser .....	519
Sable.....	446	Maxima.....	488	<b>OLDSMOBILE, VEHÍCULO TODO</b>	
Topaz.....	444	Pulsar.....	488	<b>TERRENO</b> .....	525
Tracer.....	447	Sentra.....	488	Silhouette.....	525
Villager.....	449	Stanza.....	488	<b>OLDSMOBILE, CAMIONETA</b> .....	526
<b>MERCURY (tracción en las ruedas</b>		<b>NISSAN, VEHÍCULO DE PASAJEROS</b>		Bravada.....	
<b>traseras)</b> .....	450	<b>(tracción en las ruedas traseras)</b> .....	493	<b>PEUGEOT</b> .....	527
Bobcat.....	456	1600.....	493	304.....	528
Caliente (Comet).....	460	2000.....	493	403.....	528
Capri (Durante todo 1986).....	457	200SX.....	493	404.....	528
Capri II.....	457	240SX, Z.....	493	405.....	528
Comet.....	460	260Z.....	493	504.....	528
Cougar.....	465	280Z, ZX.....	493	505.....	528
Cyclone (Comet).....	460	300ZX.....	493	604.....	528
Eliminator (Cougar).....	465	312.....	493	<b>PLYMOUTH (tracción en las ruedas</b>	
Four-O-Four (Comet).....	460	410.....	493	<b>delanteras)</b> .....	530
Grand Marquis .....	450	411.....	493	Acclaim .....	530
GT (Comet).....	460	510.....	493	Caravelle (A partir de 1985).....	530
Marauder .....	450	610.....	493	Champ.....	532
Marquis (A partir de 1983).....	469	710.....	493	Colt Vista (A partir de 1992).....	533
Marquis (Durante todo 1982).....	450	810.....	493	Grand Voyager (1995-1984).....	536
Meteor.....	471	B210.....	493	Horizon.....	530
Monarch.....	469	Maxima.....	493	Laser.....	534
Montclair .....	450	SPL310.....	493	Neon.....	535
Montego (Durante todo 1976).....	473	SPL311.....	493	Reliant.....	530
Monterey .....	450	SRL311.....	493	Sundance.....	530
MX (Montego).....	473	<b>NISSAN AXCESS/QUEST</b> .....		TC3 (Horizon).....	530
Parklane .....	450	<b>NISSAN (modelos Canadienses)</b> .....		Turismo (Horizon).....	530
Spoiler (Comet).....	460	Micra.....	501	Voyager (1995-1984).....	536
S-22 (Comet).....	460	Multi Wagon.....	501	<b>PLYMOUTH (tracción en las ruedas</b>	
S-33 (Meteor).....	471	<b>NISSAN, CAMIONETA</b> .....		<b>traseras)</b> .....	538
S-55.....	450	520.....	503	Arrow.....	538
Turnpike Cruiser .....	450	521.....	503	Barracuda.....	540
XR-7 (Cougar).....	465	620.....	503	Belvedere.....	543
Zephyr.....	460	720.....	503	Caravelle.....	543
<b>MERKUR</b> .....	475	Pathfinder.....	503	Cricketer.....	538
Scorpio.....	475	Pickup.....	503	Cuda (Valiant).....	540
XR4Ti.....	475	Furgonetas.....	503	Duster.....	540
<b>METROPOLITAN</b> .....	476	<b>OLDSMOBILE (tracción en las ruedas</b>		Fury.....	543
<b>MG</b> .....	477	<b>delanteras)</b> .....	507	Gran Coupe (Valiant).....	540
<b>MITSUBISHI (tracción en las ruedas</b>		98 Regency (A partir de 1985).....	511	Gran Fury.....	543
<b>delanteras)</b> .....	478	Achieva.....	507	Gran Fury Salon.....	543
3000GT.....	478	Aurora.....	509	Road Runner (Satellite).....	543
Cordia.....	478	Calais.....	507	Sapporo.....	538
Eclipse.....	478	Ciera.....	510	Satellite.....	543
Galant.....	478	Cutlass (A partir de 1988).....	507	Scamp.....	540
Mirage.....	478	Cutlass Ciera.....	510	Signet (Valiant).....	540
Precis.....	478	Delta 88 (A partir de 1986).....	511	Valiant.....	540
Tredia.....	478	Firenza.....	507	Volare.....	540
		Omega (A partir de 1980).....	510	V-100 (Valiant).....	540
		Toronado.....	511	V-200 (Valiant).....	540
		Trofeo.....	511		

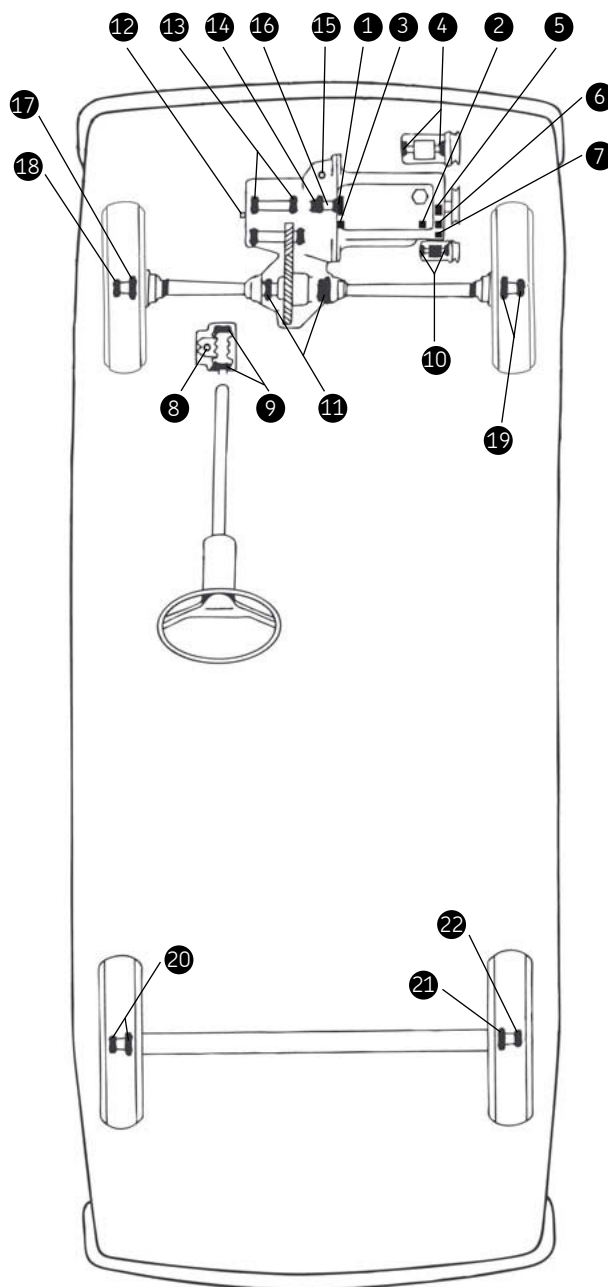
# Índice de fabricante por modelo

Fabricante y modelo	Página	Fabricante y modelo	Página	Fabricante y modelo	Página
<b>PLYMOUTH, CAMIONETA</b> .....	548	<b>PORSCHE—(Continuación)</b>		<b>TOYOTA, CAMIONETA</b> .....	617
Arrow Pickup .....	548	944 .....	580	4Runner .....	617
Trailduster .....	549	956A, B, C .....	580	Hi Lux .....	617
Voyager (Durante todo 1983) .....	551	968 .....	580	Land Cruiser .....	617
<b>PONTIAC (tracción en las ruedas</b>		<b>PUMA (modelos Canadienses)</b> .....	582	Pickup .....	617
<b>delanteras)</b> .....	553	<b>RENAULT</b> .....	582	T100 .....	617
6000 .....	557	<b>RILEY</b> .....	584	Tacoma .....	617
Bonneville (A partir de 1987) .....	553	<b>ROLLS ROYCE</b> .....	585	Van .....	617
Grand Am (A partir de 1985) .....	554	<b>ROVER</b> .....	585	<b>TOYOTA PREVIA</b> .....	616
Grand Prix (A partir de 1988) .....	554	2000 .....	585	<b>TRIUMPH</b> .....	625
J2000 .....	554	2200 .....	585	<b>VAUXHALL</b> .....	628
LeMans (A partir de 1988) .....	556	3500 .....	585	<b>VOLKSWAGEN</b> .....	628
Phoenix (A partir de 1980) .....	557	Defender .....	585	Beetle .....	628
Sunbird (A partir de 1982) .....	554	Discovery .....	585	Cabrio .....	628
Sunfire .....	554	Land Rover .....	585	Cabriolet .....	628
<b>PONTIAC (tracción en las ruedas</b>		Range Rover .....	585	Corrado .....	628
<b>traseras)</b> .....	558	<b>SAAB</b> .....	587	Dasher .....	628
Astre .....	558	900 .....	587	EuroVan .....	628
Bonneville (Durante todo 1986) .....	561	9000 .....	587	Fox .....	628
Catalina .....	561	95 .....	587	Golf .....	628
Chieftan .....	561	96 .....	587	Jetta .....	628
Espirit (Tempest) .....	567	97 .....	587	Quantum .....	628
Executive .....	561	99 .....	587	Rabbit .....	628
Fiero .....	574	<b>SATURN</b> .....	589	Scirocco .....	628
Firebird .....	567	Serie S .....	589	Type I .....	628
Formula 350, 400 (Tempest) .....	567	<b>SIMCA</b> .....	589	Type II .....	628
Grand Am (1980-1973) .....	567	<b>SINGER</b> .....	590	Type III .....	628
Grand Prix (Durante todo 1987) .....	561	<b>SKODA (modelos Canadienses)</b> .....	590	Type IV .....	628
Grand Ville .....	561	<b>STERLING</b> .....	590	Vanagon .....	628
GTO (Tempest) .....	567	<b>STUDEBAKER, VEHÍCULO DE</b>		Vanagon Syncro .....	628
Judge (Tempest) .....	567	<b>PASAJEROS</b> .....	591	<b>VOLVO</b> .....	634
LeMans (Durante todo 1981) .....	567	<b>STUDEBAKER, CAMIONETA</b> .....	593	140 Series .....	634
Parisienne .....	561	<b>SUBARU</b> .....	596	164 .....	634
Phoenix (Durante todo 1979) .....	558	1600 .....	596	1800 .....	634
Safari .....	561	1800 .....	596	Serie 240 .....	634
Sprint .....	567	Impreza .....	596	Serie 260 .....	634
Star Chief .....	561	Justy .....	596	Serie 740 .....	634
Sunbird (Durante todo 1980) .....	558	Legacy .....	596	Serie 760 .....	634
Super Chief .....	561	Loyale .....	596	Serie 780 .....	634
Tempest .....	567	SVX .....	596	Serie 850 .....	634
Trans Am .....	567	XT6 .....	596	Serie 940 .....	634
T1000 .....	575	<b>SUNBEAM</b> .....	599	Serie 960 .....	634
T-37 (LeMans) .....	567	<b>SUZUKI</b> .....	600	DL .....	634
Ventura II .....	558	Esteem .....	600	GL .....	634
<b>PONTIAC, VEHÍCULO TODO590</b>		Samurai .....	600	GLE .....	634
<b>TERRENO</b> .....	576	Sidekick .....	600	GLT .....	634
Trans Sport .....	576	Swift .....	600	P110 .....	634
<b>PONTIAC (modelos Canadienses)</b> .....	577	<b>TOYOTA, VEHÍCULO DE PASAJEROS</b>		P120 .....	634
Asuna .....	577	<b>(tracción en las ruedas delanteras)</b> .....	602	P130 .....	634
Firefly .....	577	Avalon .....	602	P220 .....	634
Optima .....	577	Camry .....	602	<b>WOLSELEY</b> .....	640
Sunburst .....	577	Celica .....	602	<b>YUGO</b> .....	640
Sunfire .....	577	Corolla .....	602		
<b>PONTIAC, CAMIONETA</b>		Paseo .....	602		
<b>(modelos Canadienses)</b> .....	579	Tercel .....	602		
<b>PORSCHE</b> .....	580	<b>TOYOTA, VEHÍCULO DE PASAJEROS</b>			
911 .....	580	<b>(tracción en las ruedas traseras)</b> .....	608		
912 .....	580	Carina .....	608		
914 .....	580	Celica .....	608		
914/4 .....	580	Corolla .....	608		
914/6 .....	580	Corona .....	608		
915/6 .....	580	Cressida .....	608		
924 .....	580	Crown .....	608		
928 .....	580	MR2 .....	608		
928GTS .....	580	Starlet .....	608		
		Supra .....	608		

# Ubicación típica de sellos y rodamientos (Vehículos de pasajeros, tracción en las ruedas delanteras)

	Sello	Rodamiento
<b>Motor</b>		
1 Trasero del cigüeñal *	X	
2 Delantero del árbol de levas *	X	
3 Trasero del árbol de levas *	X	
4 Alternador		X
5 Cubierta de la banda de sincronización*	X	
6 Flecha intermedia *	X	
7 Auxiliar *	X	
<b>Dirección</b>		
8 Brazo Pitman	X	
9 Carcasa (tornillo sin fin)	X	
10 Flecha de la bomba (hidráulica)	X	
<b>Transeje</b>		
11 Salida (l. o D.) *	X	X
12 Flecha de cambios de velocidad*	X	
13 Flecha de entrada (delantera)		X
14 Liberación del embrague		X
15 Horquilla del embrague	X	
16 Piloto del embrague		X
<b>Rueda</b>		
17 Interior delantero	X	X
18 Exterior delantero	X	X
19 Delantero con rodamiento sellado	Como una unidad	
20 Trasero con rodamiento sellado	Como una unidad	
21 Interior trasero	X	
22 Exterior trasero	X	X

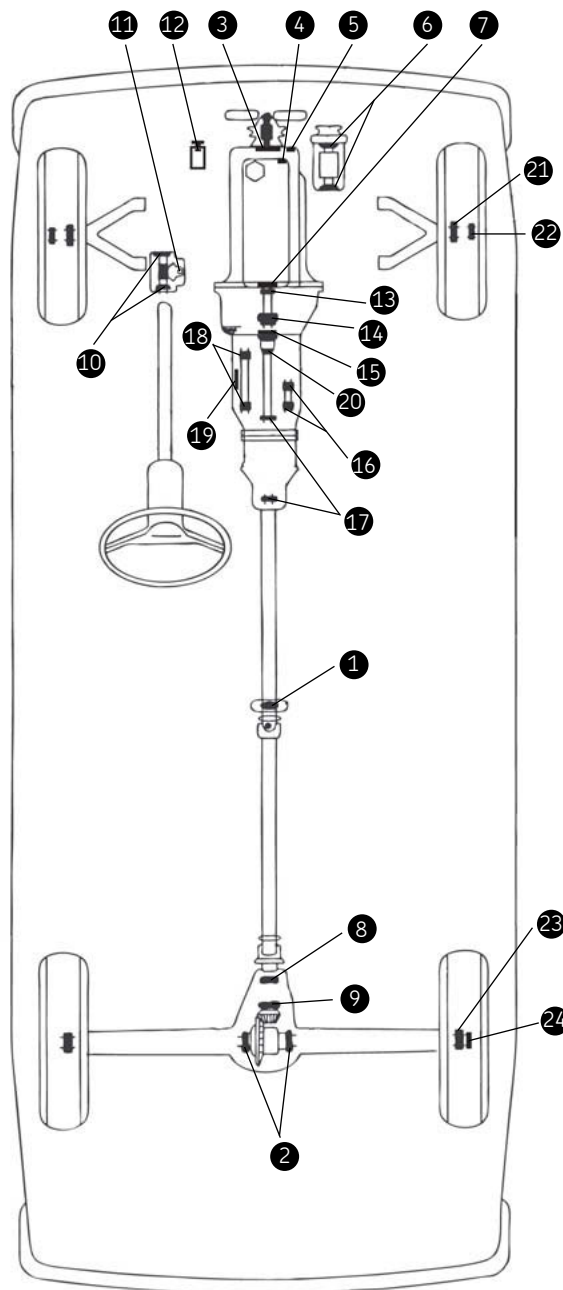
\*Utiliza el SPEEDI-SLEEVE en esta ubicación



# Ubicación típica de sellos y rodamientos (Vehículos de pasajeros con tracción en las ruedas traseras y camionetas ligeras con tracción en 2 ruedas)

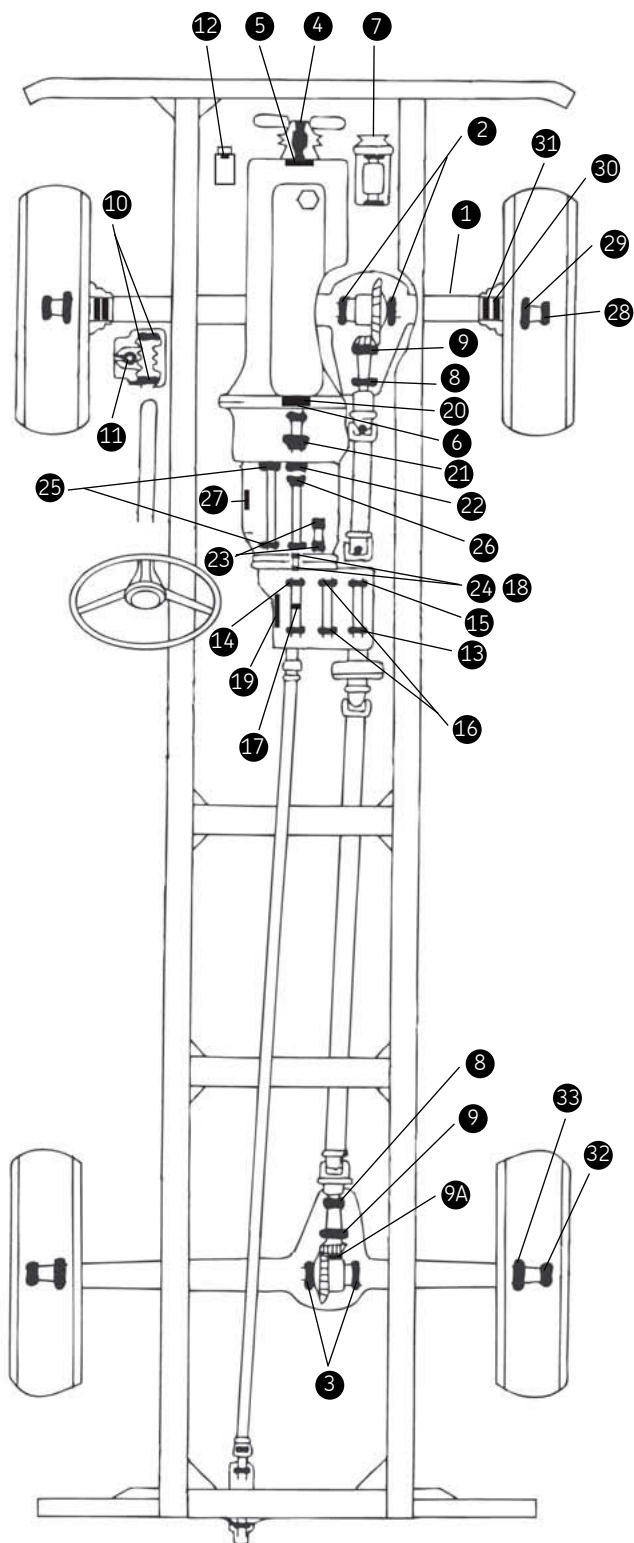
	Sello	Rodamiento
<b>Diferencial</b>		
① Soporte de la flecha propulsora		X
② Izquierdo o derecho		X
<b>Motor</b>		
③ Cubierta de la banda de sincronización*	X	
④ Árbol de levas*	X	
⑤ Flecha auxiliar*	X	
⑥ Alternador		X
⑦ Trasero del cigüeñal*	X	
<b>Piñón (eje trasero)</b>		
⑧ Delantero*	X	X
⑨ Trasero		X
<b>Dirección</b>		
⑩ Carcasa (tornillo sin fin)	X	
⑪ Brazo Pitman	X	
⑫ Flecha de la bomba (hidráulica)	X	
<b>Transmisión</b>		
⑬ Piloto del embrague		X
⑭ Liberación del embrague		X
⑮ Delantero*	X	X
⑯ Giro libre de reversa		X
⑰ Trasero*	X	X
⑱ Flecha intermedia		X
⑲ Flecha de cambios de velocidad*	X	
⑳ Piloto de la flecha principal		X
<b>Rueda</b>		
㉑ Interior delantero	X	X
㉒ Exterior delantero		X
㉓ Interior trasero	X	X
㉔ Exterior trasero		X

\*Utiliza el SPEEDI-SLEEVE en esta ubicación



# Ubicación típica de sellos y rodamientos (Vehículos de pasajeros y camionetas ligeras con tracción en las 4 ruedas)

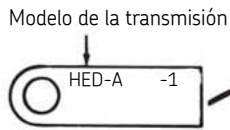
	Sello	Rodamiento
<b>Eje</b>		
1 Delantero (l. o D.)	X	
<b>Diferencial</b>		
2 Delantero (l. o D.)		X
3 Trasero (l. o D.)		X
<b>Motor</b>		
4 Ventilador (bomba de refrigerante)		X
5 Cubierta de la banda de sincronización*	X	
6 Cigüeñal*	X	
7 Alternador		X
<b>Piñón (impulsión del frente hacia atrás)</b>		
8 Delantero*	X	X
9 Trasero		X
9A Piloto		
<b>Dirección</b>		
10 Carcasa (tornillo sin fin)	X	
11 Pitman	X	
12 Bomba	X	
<b>Caja de transferencia</b>		
13 Salida trasero*	X	X
14 Entrada*	X	X
15 Salida delantero*	X	X
16 Flecha del engrane de giro libre		X
17 Piloto de la flecha principal		X
18 Adaptador de montaje*	X	
19 Flecha de cambios de velocidad*	X	
<b>Transmisión</b>		
20 Piloto del embrague		X
21 Liberación del embrague		X
22 Delantero*	X	
23 Giro libre de reversa		X
24 Trasero*	X	X
25 Flecha intermedia		X
26 Piloto de la flecha principal		X
27 Flecha de cambios de velocidad*	X	
<b>Rueda</b>		
28 Exterior de la maza delantera	X	X
29 Interior de la maza delantera	X	X
30 Exterior de la espiga delantera	X	
31 Interior de la espiga delantera	X	
32 Exterior trasero		X
33 Interior trasero	X	X



\*Utiliza el SPEEDI-SLEEVE en esta ubicación

# Identificación de las transmisiones/transejes manuales Ford/Lincoln/Mercury 1955-1973

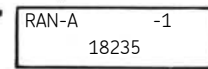
Transmisión de 3 velocidades típica-2.77 (Modelo HED)



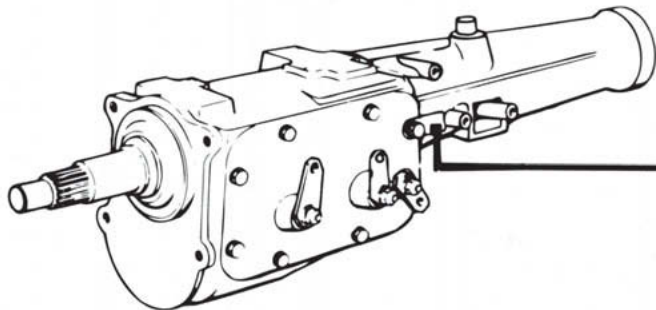
Típica  
Transmisión de 4 velocidades-Warner  
Transmisión de 3 velocidades-sobremarcha

Típica Transmisión de 4 velocidades-Ford (Modelo RAD)

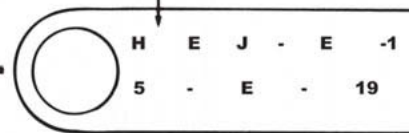
Modelo de la transmisión



Típica  
Transmisión de 3 velocidades-3.03 (Modelos HEE, HEF, HEG, RAN, RAT)  
Transmisión de 4 velocidades-Ford (Modelos HEH, RUG)



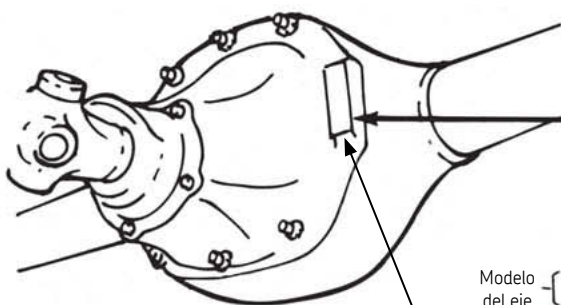
Modelo de la transmisión



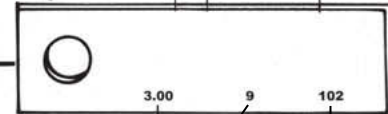
1984-1965  
Típica  
Transmisión de 4 velocidades-Dagenham

## Tarjeta de identificación de los modelos de ejes traseros Ford/Lincoln/Mercury

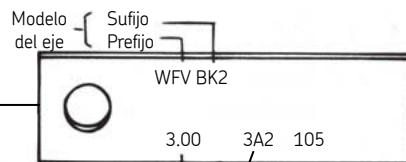
Para determinar el rodamiento o el sello correcto que se va a utilizar en algunas aplicaciones de eje trasero y piñón de los productos de Ford Motor Company, es necesario conocer el modelo del eje. Esta información del modelo del eje está impresa en una tarjeta ubicada en el eje trasero como se muestra a continuación.



Modelo del eje { Sufijo Prefijo } Fecha de fabricación



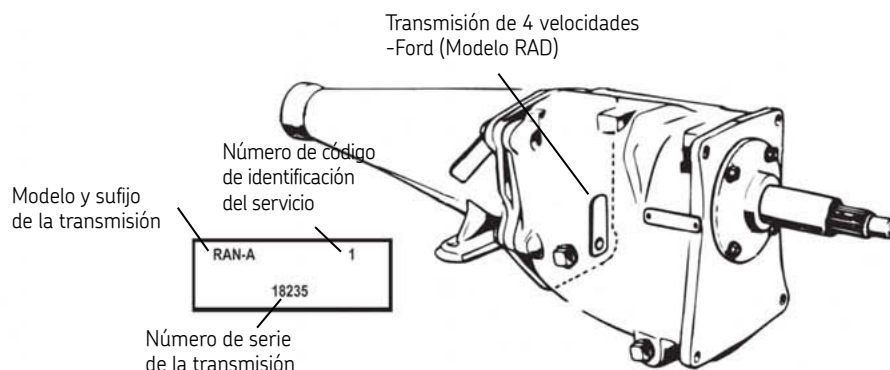
Relación del eje { 3.00-convencional 3L00-traction-LOK } Diámetro de la corona Código de la planta



Relación del eje { 3.00-convencional 3L00-traction-LOK } Fecha de fabricación Código de la planta

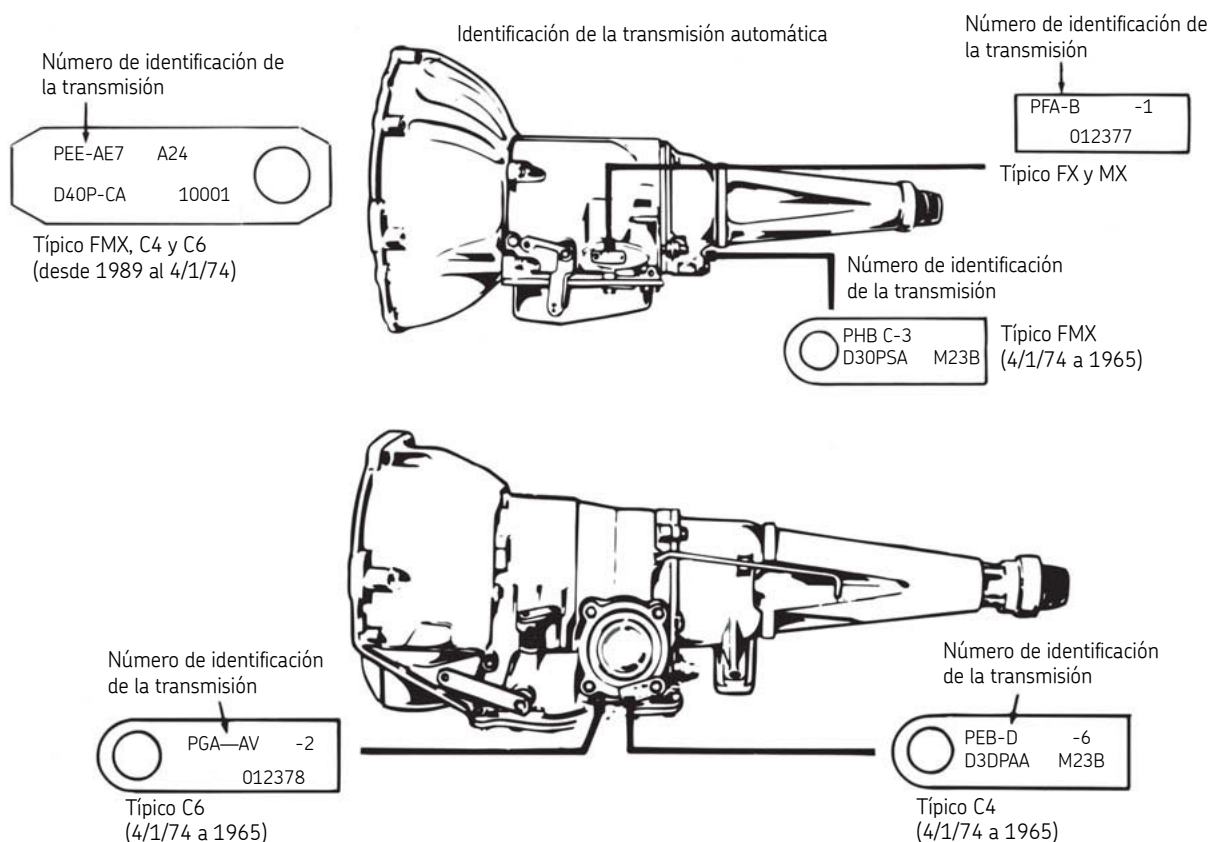


# Identificación de las transmisiones/transejes manuales Ford/Lincoln/Mercury 1995-1973

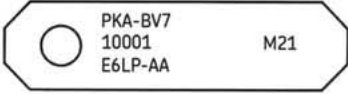
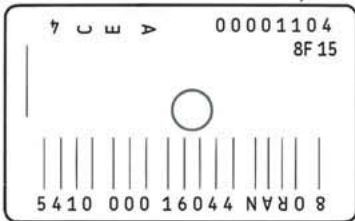
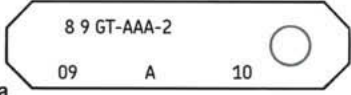

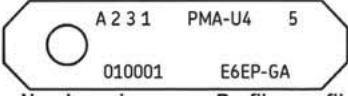


Transmisión de 3 velocidades—3.03 (Modelos RAN, RAT)  
Transmisión de 4 velocidades—Ford (Modelo RUG)




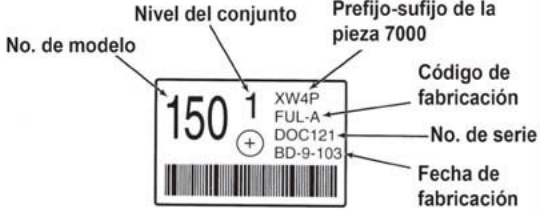
# Identificación de las transmisiones automáticos Ford/Lincoln/Mercury 1990-1965



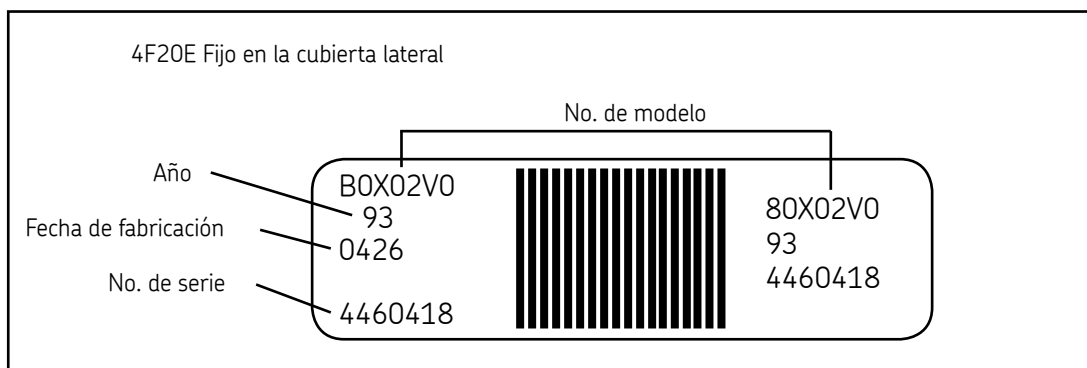
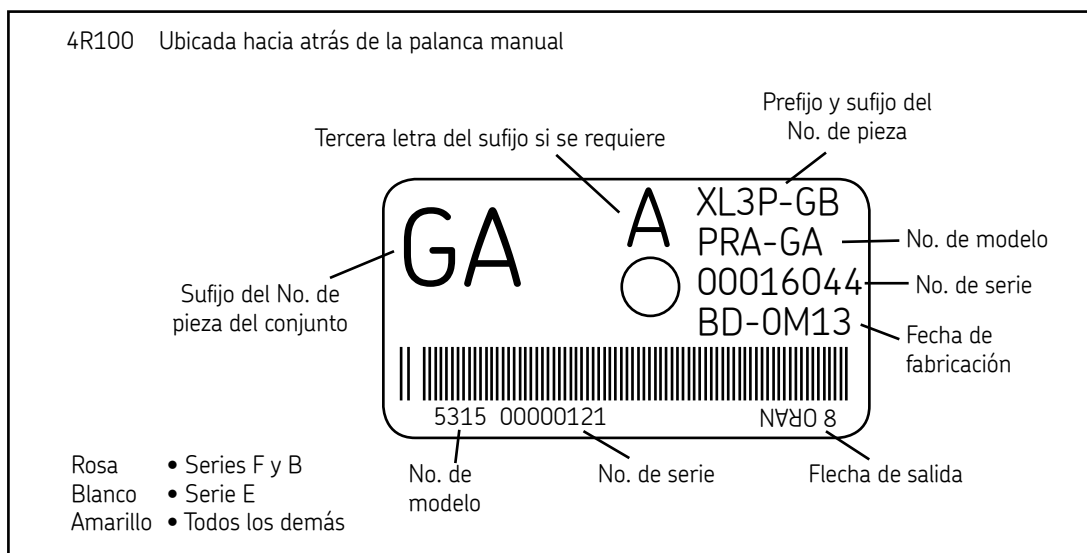
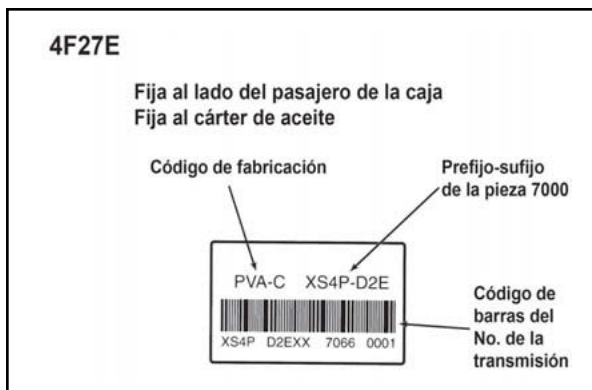
# Identificación de las transmisiones/transejes automáticos Ford/Lincoln/Mercury 1995-1991

<p><b>AOD Ubicada debajo del perno de la extensión</b></p> <p>Modelo de la transmisión      Código de la fecha de fabricación</p>  <p>Prefijo y sufijo del No. de pieza del conjunto      No. de serie</p>	<p><b>AXOD-AXODE Ubicada detrás de la palanca manual</b></p> <p>Modelo de la transmisión      No. de serie      Fecha de fabricación</p> 
<p><b>A4LD Ubicada debajo del perno de la extensión</b></p> <p>Modelo de la transmisión      Código del turno de la línea</p>  <p>Código de la fecha de fabricación      Año      Mes      Día</p>	<p><b>AODE Fija a un lado de la caja</b></p> <p>Número de etiqueta      Año de fabricación      Fecha de fabricación</p> 
<p><b>ATX Ubicada debajo del perno de la cubierta del cuerpo de válvulas</b></p>  <p>No. de serie.      Prefijo y sufijo del No. de pieza del conjunto</p>	

# Identificación de las transmisiones/transejes automáticos Ford/Lincoln/Mercury 1995-1991

<p><b>4EAT</b></p> <p>Ubicada sobre el transeje</p>  <p>XSAFU660 J13267X1K02N  <b>TH</b> FU60•B458•FU63          FO30•FU63•FU64          FU60•BU64•FU01          FU60•FU64•FU60</p>	<p><b>IF4E</b></p> <p>Ubicada en la parte superior de la caja del transeje</p>  <p>★SPFA020 E90507★SE25N  <b>TV</b> FU65.BTAA.FW30          FA13.FU63.FU64          FU60.FA01.FU01          FU60.FU6J.FW35</p>
<p><b>F4E-III</b></p> <p>Ubicada en la parte superior de la caja de la transmisión</p>  <p>★SPFB030 E90507★5E25N  <b>TC</b> FU65.BTAA.FW30          FA13.FU63.FU64          FU60.FA01.FU01          FU60.FU6J.FW35</p>	<p><b>5R55N</b></p> <p>Fija al lado del pasajero de la caja</p>  <p>No. de modelo: 150          Nivel del conjunto: 1          Prefijo-sufijo de la pieza 7000: XW4P, FUL-A, DOC121, BD-9-103          Código de fabricación: (+)          No. de serie: 150          Fecha de fabricación: (+)</p>

# Identificación de las transmisiones/transejes automáticos Ford/Lincoln/Mercury 1995-1991



# Códigos de los motores para vehículos de pasajeros Ford

2008-1981 — El 8º. dígito del número de identificación del vehículo indica la identificación del motor  
1980-1973 — El 5º. dígito del número de identificación del vehículo indica la identificación del motor

Para convertir litros en pulgadas cúbicas, multiplique por 61.0250

Código	Año	(Motor) Cilindros	(Motor) Desplazamiento en pulgadas cúbicas	Carb.	Observaciones
A	2006-1999	8			3.9 - MFI (DOHC) (LS8)
A	1997-1993	4	122		2.0 - MFI (Mazda)
A	1990-1980	4	140		2.3 - OHC - EFI
A	1978-1973	8	460	4/G	Exc. P/C - 7500 cc. o 7.5
B	1997-1993	6	153		2.5 - MFI (Mazda)
B	1982-1980	6	200	1/G	3.3
C	1996-1995	8	351		5.8 - MFI - Mustang Cobra R
C	1992-1990	4	133		2.2 - EFI (sólo Probe) (SOHC)
C	1992-1989	4	133		2.2 - EFI (sólo Probe)
C	1989	6	232		3.8 - EFI - SC
C	1980	6	250	1/G	4.1
C	1978-1973	8	460	4/G	P/C - 7500 ó 7.5
D	1995-1993	8	302		5.0 - MFI/Mustang, GT plus Cobra
D	1990-1986	4	153		2.5 - CFI
D	1983	4	140		2.3 - EFI (Turbo)
D	1982-1980	8	255	2/G	4.2
E	1993	8	302		5.0 - MFI - HO Mustang, Mark VII (Ford) (OHV)
E	1992-1990	8	302		5.0 - EFI - HO Mustang, Mark VII (Ford) (OHV)
E	1989-1987	8	302		5.0 - EFI - HO Mustang, Mark VII
F	1991-1990	8	302		5.0 - CFI - EFI (Ford) (OHV)
F	1989-1980	8	302		5.0 - CFI - EFI
F	1979-1973	8	302	2/G	5000 ó 5.0
G	2000-1998	6	155		2.5 - DOHC - Motor utilizado sólo en Contour SVT y Cougar S/ST200
G	1991-1990	8	351	2/G	5.8 VV (Ford) - HO (OHV)
G	1989-1980	8	351	2/G	5.8 - HO
H	2008-2006	8	281		4.6L - SOHC 24 válvulas
H	2000	8			5.4 - MFI - Motor utilizado para Mustang Cobra R
H	1998-1993	4	79	2V	1.3 - MFI (Mazda) (SOHC) (Festiva)
H	1992-1990	4	79		1.3 - EFI (Mazda) (SOHC)
H	1989	4	79		1.3 - EFI (Mazda)
H	1987-1984	4	122		2.0 - Diesel - Toyo Kogyo
H	1979-1973	8	351	2/G	5800 ó 5.8
J	1996-1993	4	116		1.9 - CVH - SEFI (Escort/Tracer)
J	1992-1990	4	116		1.9 - SEFI (Ford)
J	1989-1985	4	116		1.9 - EFI
K	1995-1994	4	116		1.9 - HO - CVH - SEFI (FOM)
K	1989-1988	4	79	2V	1.3 - Mazda
L	2002-1995	6	155		2.5 - MFI (DOHC)
L	1993	4	133		2.2 - MFI/TC (SOHC)
L	1992-1990	4	133		2.2 - EFI/TC (SOHC)
L	1989	4	133		2.2 - EFI/TC
L	1985-1984		146		2.4 - Diesel - Turbo
L	1979-1973	6	250	1/G	4100 ó 4.1
M	1993	4	140		2.3 - MFI (SOHC)
M	1992-1991	4	140		2.3 - EFI (SOHC)

# Códigos de los motores para vehículos de pasajeros Ford

2008-1981 — El 8º. dígito del número de identificación del vehículo indica la identificación del motor

1980-1973 — El 5º. dígito del número de identificación del vehículo indica la identificación del motor

Para convertir litros en pulgadas cúbicas, multiplique por 61.0250

Código	Año	(Motor) Cilindros	(Motor) Desplazamiento en pulgadas cúbicas	Carb.	Observaciones
M	1987	8	302		5.0 - CFI - HO, Sólo Mark VII LCS
M	1986-1984	8	302	4/G	5.0 - CFI - HO
N	2008-2006	4	121		2.0L - Duratec 20 16V DOHC
N	2000-1996	8	207		3.4 - MFI - SHO (DOHC)
N	1993	6	195		3.2 - (DOHC) - T/A
N	1991-1990	4	153		2.5 - EFI (OHV)
N	1973	8	429	4/G	
O	1980				D.S.O. Motores de gas
P	2005-1997	4	122		2.0 - MFI (SOHC) S.P.I.
P	1995-1993	6	195		3.2 - SHO (DOHC)
Q	1974-1973	8	351	4/G	GT
R	2005-2002	8	281		4.6 - DOHC Motor Ram Air utilizado para Mustang Mach I
R	1995-1993	6	232		3.8 Super Coupe/XR7
R	1992-1990	6	232		3.8 Super Coupe/XR7 (OHV)
R	1990-1989	4	134		2.2 - EFI (Turbo) (Probe)
R	1989	6	232		3.8 - EFI - SC
R	1987-1986	4	140	1/G	2.3 - Sólo Canadá
R	1985-1983	4	140		2.3 - HSC
R	1973	8	351	4/G	Gran rendimiento
S	2008-2006	8	330		5.4L - DOHC 32 válvulas Supercargado
S	2005-1996	6	182		3.0 - MFI (DOHC)
S	2000	6		24V	3.0 - MFI (DOHC) (LS6)
S	1991-1990	4	140		2.3 - HSC - HO - CFI (OHV)
S	1989-1985	4	140		2.3 - HSC - HO - CFI, EFI
S	1979-1973	8	400	2/G	6600 ó 6.6
T	1995-1993	8	302		5.0 - MFI (OHV)
T	1992-1991	8	302		5.0 - EFI (OHV)
T	1989-1981	4	140		2.3 - EFI - (Turbo I/C)
T	1979-1973	6	200	1/G	3300 ó 3.3
U	2007-1993	6	182		3.0 - MFI
U	1992-1986	6	183		3.0 - EFI
V	2007-2006	8	281		4.6L - SOHC Combustible flexible
V	2007-1993	8	281		4.6 - MFI (DOHC)
V	1990-1988	6	177		2.9 - Alemania
W	2008	6	213		3.5L - DOHC 24 válvulas
W	2008-1993	8	281		4.6 - MFI (SOHC) - Planta de motores de Romeo
W	1992-1991	8	280		4.6 - EFI (SOHC)
W	1989-1983	4	140		2.3 - EFI (Turbo)
W	1979	4	139	2/G	2300 ó 2.3 (Turbo cargado)
W	1973	4	98	1/G	1600 ó 1.6
X	2005-1996	8	281		4.6 - MFI (SOHC) Motor utilizado para Mustang GT-Planta de motores de Windsor
X	1995-1993	4	141		2.3 - MFI (OHV)
X	1992-1990	4	140		2.3 - HSC - CFI - EFI (OHV)
X	1989-1985	4	140		2.3 - HSC - CFI - EFI

# Códigos de los motores para vehículos de pasajeros Ford

2008-1981 — El 8º. dígito del número de identificación del vehículo indica la identificación del motor  
1980-1973 — El 5º. dígito del número de identificación del vehículo indica la identificación del motor

Para convertir litros en pulgadas cúbicas, multiplique por 61.0250

Código	Año	(Motor) Cilindros	(Motor) Desplazamiento en pulgadas cúbicas	Carb.	Observaciones
X	1983	6	200		3.3
X	1974-1973	4	122	2/G	2000 ó 2.0
Y	2005-2002	8	281		4.6 - DOHC SC-Motor utilizado para Mustang Cobra
Y	1995-1993	6	182		3.0 - SHO (Yamaha) - MFI (DOHC)
Y	1992-1990	6	183		3.0 - SHO (Yamaha) - EFI (DOHC) - T/M
Y	1989	6	182		3.0 - SHO (Yamaha) - EFI
Y	1979-1974	4	140	2/G	2300 ó 2.3 (sin Turbo)
Z	2008-2007	4	138		2.3L - DOHC 24 válvulas
Z	2007-2006	4	140		2.3L - Duratec 23 16V DOHC
Z	2000-1996	4	121		2.0 - MFI (DOHC) GFP
Z	1995-1993	4	98		1.6 - MFI - (Mazda) (DOHC) (Capri)
Z	1992-1991	4	98		1.6 - EFI (Mazda) (DOHC)
Z	1979-1974	6	171	2/G	2800 ó 2.8
1	2008	6	183		3.0L - DOHC
1	2000-1993	6	182		3.0 MFI - Combustible flexible-Metanol
1	1981	4	79		1.3
2	2007-1996	6	182		3.0 - MFI - Combustible flexible-Etanol
2	1985-1981	4	98		1.6
3	2005-1995	4	121		2.0 - MFI - ZETA (DOHC)
3	1987-1982	6	232		3.8 - CFI
3	1986-1984	6	232	2/G	3.8 - Sólo Canadá
4	2005-1995	6	232		3.8 - MFI - SEFI
4	1992-1987	6	232		3.8 - EFI - SEFI
4	1985-1983	4	98		1.6 - HO
5	2005-2002	4	121		2.0 - MFI - ZETEC SVT - Alto rendimiento
5	2002				Paquete eléctrico Batería de plomo/ácido de 72 voltios (350 amperios)
5	1990-1987	4	98		1.6 - Mazda
5	1985-1983	4	98		1.6 - EFI
6	1996	8	281		4.6 - MFI (SOHC) Planta de motores de Windsor
6	1994-1993	4	98		1.6 - MFI/TC (Mazda) (DOHC)
6	1992-1991	4	98		1.6 - EFI/TC (Mazda) (DOHC)
6	1985-1982	4	140		2.3 - Gas LP
7	1985-1983	4	98		1.6 - Metanol HO
8	1996-1993	4	112		1.8 - MFI (Mazda) (DOHC) (Escort/Tracer)
8	1992-1990	4	109		1.8 - EFI (Mazda) (DOHC)
8	1985-1984	4	98		1.6 - Turbo - EFI
9	2006-1995	8	281		4.6 - MFI (SOHC) - Gas natural (motor)
9	1990-1985	4	116		1.9 - 2V o CFI

# Códigos de los motores de las camionetas ligeras Ford

2008-1981 — El 8º. dígito del número de identificación del vehículo indica la identificación del motor  
 Durante todo 1980 — El 4º. dígito del número de identificación del vehículo indica la identificación del motor

Para convertir litros en pulgadas cúbicas, multiplique por 61.0250

Código	Año	Combustible	(Motor) Cilindros	(Motor) Desplazamiento en pulgadas cúbicas	Observaciones
A	2002-1999	G	8	330	5.4 - SEFI - DOHC - Planta de motores de Windsor
A	1998-1993	G	4	140	2.3 - EFI Doble bujía (SOHC)
A	1992-1990	G	4	140	2.3 - EFI (SOHC)
A	1989-1983	G	4	140	2.3 - EFI
A	1979-1975	G	8	460	7.5 - Carb. de 4 gargantas
A	1974-1973	G	6	240	Carb. de 1 garganta
B	2001	G	4	122	2.0 - ZETEC (DOHC)
B	2001	G	8	329	5.4 - SOHC - EFI
B	1998	D	4	140	2.5 - SOHC - Doble bujía
B	1985	Turbo	4	140	2.3
B	1979-1973	G	6	300	4.9 - Carb. de 1 garganta
C	2008-2007	G	6	213	3.5L - DOHC 24 válvulas Duratec 35
C	2002-1998	G	4	153	2.5 - SOHC - MFI
C	1993-1992	D	8	446	7.3 - Turbo
C	1989-1983	G	4	122	2.0
C	1978	G	6	300	Carb. de 1 garganta- 3x6 Economía de combustible
C	1976-1973	G	8	330	Carb. de 2 gargantas - Servicio mediano
D	2008-2001	G	4	140	2.3 - MFI
D	2005-2001	G	10	415	6.5 - SOHC - EFI
D	1985	GNC	4	140	2.3
D	1982-1981	G	8	255	4.2 - Carb. de 2 gargantas
E	2008-1997	G	6	241	4.0 - SOHC - MFI
E	1987-1985	D	4	140	2.3 - Turbo (Mitsubishi)
E	1982-1980	G	6	300	4.9 - Carb. de 1 garganta - LD
F	2005-1994	D	8	445	7.3 - Turbo-DI (Navistar) OHV
F	1985-1980	G	8	302	5.0 - Carb. de 2 gargantas
G	2002	D	4		2.5 - DI - DOHC - TI - RBO
G	1997-1993	G	8	460	7.5 - OHC - EFI
G	1992-1987	G	8	460	7.5 - OHC - EFI
G	1985-1980	G	8	351	5.8 - Carb. de 2 gargantas
G	1979-1973	G	8	302	5.0 - Carb. de 2 gargantas
H	2008-2006	VE	4	138	2.3L - Híbrido-Eléctrico
H	1997-1993	G	8	351W	5.8 - OHV
H	1992-1990	G	8	351W	5.8 - OHV - EFI (Ford)
H	1989-1985	G	8	351W	5.8 - Carb. de 4 gargantas EFI
H	1979-1977	G	8	351	5.8 Exc. E100/350
H	1979-1975	G	8	351	2 gargantas E100/350
H	1976-1973	G	8	390	2 gargantas Exc. E100/350
J	1979-1973	G	8	460	7.5 - Carb. de 4 gargantas
K	2002-2000	G	6	241	4.0 - SOHC - MFI FFV
K	1994	D	8	445	7.3 - Turbo - IDI (Navistar)
K	1979-1978	G	6	300	4.9 - Carb. de 1 garganta H/D
K	1976-1973	D	3	159	Detroit 3-53W D.S.O.
L	2008-1997	G	8	330	5.4 - SOHC - EFI Modular
L	1987-1980	G	8	460	7.5 Carb. de 4 gargantas



# Códigos de los motores de las camionetas ligeras Ford

2008-1981 — El 8°. dígito del número de identificación del vehículo indica la identificación del motor  
Durante todo 1980 — El 4°. dígito del número de identificación del vehículo indica la identificación del motor

Para convertir litros en pulgadas cúbicas, multiplique por 61.0250

Código	Año	Combustible	(Motor) Cilindros	(Motor) Desplazamiento en pulgadas cúbicas	Observaciones
M	2005-1997	G	8	330	5.4 - SOHC - GNC
M	1994-1993	D	8	446	7.3 - OHV - MFI (Navistar)
M	1992-1988	D	8	446	7.3 - OHV - EFI (Navistar)
M*	1985-1983	D	4	226	3.7 - Blanco
M	1976-1975	G	8	390	Carb. de 4 gargantas
N	1997	G	8	330	5.4 - SOHC
N	1996-1993	G	8	302	5.0 - OHC - EFI
N	1992-1985	G	8	302	5.0 - OHC - EFI
P	2008-2003	D	8	366	6.0 - DI - TI - RBO
P	2002-1996	G	8	302	5.0 - MFI - Motor utilizado en Explorer/Mountaineer
P	1984-1983	D	4	134	2.2 - Toyo Kogyo
R	2008-2007	Diesel	8	391	6.4L - Motor turbodiesel Híbrido
R	1995-1992	G	8	351	5.8 - MFI - HP, Rendimiento total Camioneta
S	2008-1997	G	10	415	6.8 - SOHC - EFI
S	1986-1983	G	6	171	2.8
S	1979-1977	G	8	400	6.6 - Carb. de 2 gargantas
T	2002-1999	G	6	201	3.3 - MFI - SOHC
T	1992-1986	G	6	177	2.9 - OHC - EFI
U	2008-2004	G	6	183	3.0 - EFI
U	2002-1993	G	6	183	3.0 - MFI
U	1992-1986	G	6	183	3.0 - EFI
V	2008-2006		Combustible flexible	8	330 5.4L - SOHC 24 válvulas
V	2002-1999	G	6	183	3.0 - FFV
V	1991	D	6	210	3.4 - Cummins
V	1989-1988	D	6	210	3.4
W	2008-1997	G	8	281	4.6 - SOHC - MFI
W	1996-1993	G	6	182	3.0 - MFI (SOHC)
W	1980	G	6	351	5.8 - Carb. de 2 gargantas
X	2001-1991	G	6	241	4.0 - OHV - SOHC
X	1992-1990	G	6	244	4.0 - OHC - EFI
Y	2008-2007	G	10	415	6.8L - SOHC 30 válvulas
Y	1996-1993	G	6	300	4.9 - OHV - MFI
Y	1992-1983	G	6	300	4.9 - OHC - EFI
Y	1976-1973	G	8	360	Carb. de 2 gargantas
Z	2008-2007	G	4	138	2.3L - DOHC 24 válvulas
Z	2005-2003	VGN	10	415	6.5 - SOHC - EFI
Z	2005-1998	G	8	330	5.4 - MFI - SOHC - BI - Combustible
Z	1996-1994	G	6	300	4.9 - OFP
Z	1985	G		140	2.3 - Brasil
Z	1982-1980	G	8	400	6.6 - Carb. de 2 gargantas
0	1996-1980				D.S.O.
1	2008-2001	G	6	183	3.0 - SEFI - DOHC
1	2002-1999	VE			136V - 75 HP - Modelo eléctrico
1	1998-1997	G	6	182	3.0 - SOHC - MFI
1	1987-1983	D	8	420	6.9 - I.H. (Diesel)

\* Fabricación especial

# Códigos de los motores de las camionetas ligeras Ford

2008-1981 — El 8º. dígito del número de identificación del vehículo indica la identificación del motor  
 Durante todo 1980 — El 4º. dígito del número de identificación del vehículo indica la identificación del motor

Para convertir litros en pulgadas cúbicas, multiplique por 61.0250

Código	Año	Combustible	(Motor) Cilindros	(Motor) Desplazamiento en pulgadas cúbicas	Observaciones
1	1976-1973	G	6	240	1 garganta - Baja compresión - D.S.O.
2	2008-1997	G	6	256	4.2 - MFI - OHV
3	2005-1999	G	8	330	5.4 - SOHC - SFI
3	1983	G	6	230	3.8
4	2005-1994	G	6	232	3.8 - MFI - OHV
4	1974	G	8	330	2 gargantas - Baja compresión - D.S.O.
5	2008-2007	G	8	330	5.4L - SOHC 24 válvulas
5	1974	G	8	360	2 gargantas - Baja compresión - D.S.O.
6	2007-2006	G	6	238	3.9L
6	2005-1997	G	8	281	4.6 - SOHC - EFI
7	2002-1998	VE			336V - 75 HP Eléctrico - Batería de plomo-ácido
7	1998				325V - 90 HP Eléctrico 67 KW - Pickup Ranger eléctrica
7	1981-1980	G	8	351	5.8 - 2 gargantas - Export - D.S.O.
8	2008-2006	G	8	281	4.6L - SOHC 24 válvulas
9	1996-1982	G	6	300	4.9 - 2 gargantas - Conversión LPG

# Códigos de las transmisiones/transejes automáticos General Motors 1995-1991

Vehículos de pasajeros Buick, Cadillac, Chevrolet y camionetas, Oldsmobile, Pontiac

Código de la opción	Velocidades	Modelo/Tipo
M13	4	4T60-E
M15	4	4T65-E (Mejorado)
M22	5	5L50E
M30	4	4L60-E
M32	4	4L60-E HD, 4L65-E
M33	3	CBC350, 4L60-E Híbrido
M41	4	4L60-E
M70	4	4L70-E Super Duty
M74	5	Allison 1000
M76	4	4T65E
M82	5	5L40-E
M84	5	5T50-E
M89	5	5L90-E
M90	5	4L40-E
M95	5	5T70-E
MD2	3	3L30
MD8	4	4L60
MD9	3	3T40
ME9	4	4T60
MD1	4	AT540
MH1	4	4T80-E
ML4	4	4L60-E
MN3	4	4T65-E
MN4	4	4T40-E
MN5	4	4T45-E
MN7	4	4T65-E H.D.
MN8	4	4L80-E HD, 4L85-E
MT1	4	4L80-E HD
MU4	4	Aisin Toyota
MU5	4	Aisin Toyota, PTU
MU6	4	Hokkaido-Toyota
MV3	5	5L50-E w/4 W/D/A.W.D.
MV4	3	THM350
MV9	3	THM250
MW7	6	Allison 1000
MW9	4	HM 200-4R
MX4	5	Allison 2000, 5L40-E w/4 W/D/A.W.D.
MTW	5	Allison 2400
MYB	6	6L50
MYC	6	6L80

El código de la opción M13 tiene 19 pernos del cárter de aceite.

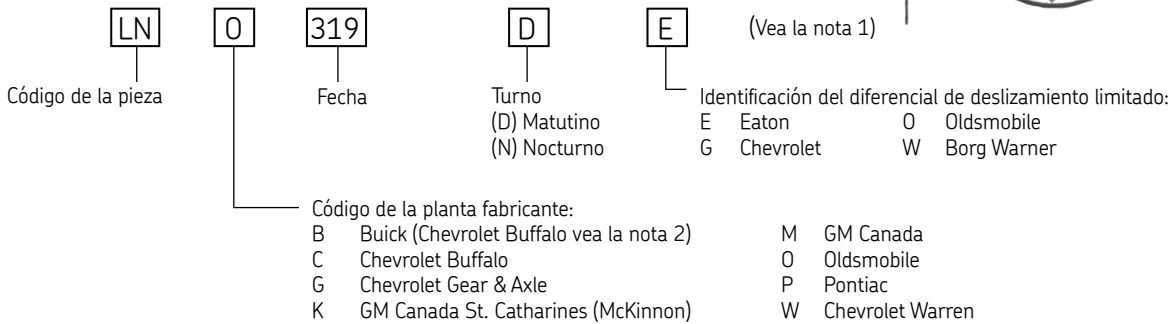
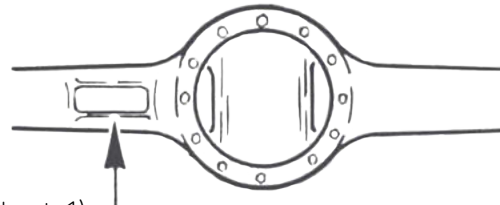
El código de la opción MV4 tiene 13 pernos del cárter de aceite y un tamaño del cárter de 13 1/2 x 12 5/16.

El código de la opción MV9 tiene 11 pernos del cárter de aceite y un tamaño del cárter de 13 3/16 x 11 5/8.

# Identificación de los ejes General Motors 1995-1991

Vehículos de pasajeros Buick, Cadillac, Chevrolet y camionetas, Oldsmobile, Pontiac

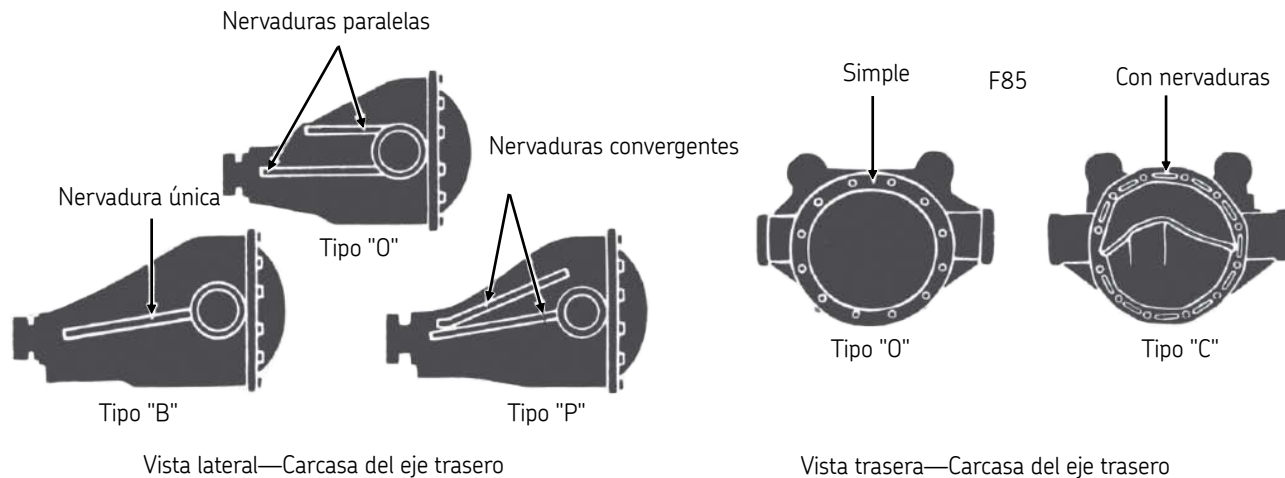
Los códigos de los ejes GM se encuentran estampados en la parte trasera del tubo del eje del lado izquierdo en letras de 1/4 de pulgada de altura a 3 pulgadas del soporte o en una tarjeta metálica fija a un perno de la cubierta.



Nota: (1) Los vehículos 1978 tienen una identificación diferente a la que se muestra arriba, los caracteres 1-3 son los mismo, sin embargo el carácter 4 es el año, los caracteres 5-7 son la fecha juliana y el carácter 8 es el código del turno.

(2) Algunos vehículos Chevrolet tiene un código de 7 caracteres que contiene menos información, los caracteres 1-2 son la identificación del vehículo, los caracteres 3-6 son el mes y el día de producción y el carácter 7 es el código de la planta fabricante. En los vehículos con el código de 7 caracteres, la planta B no es Buick, es Chevrolet Buffalo.

## Identificación de los ejes traseros Oldsmobile y F85



# Códigos de los motores de los vehículos de pasajeros y de las camionetas ligeras GM

2008-1981 — El 8º. dígito del número de identificación del vehículo indica la identificación del motor

1980-1976 — El 5º. dígito del número de identificación del vehículo indica la identificación del motor

Para convertir litros en pulgadas cúbicas, multiplique por 61.0250

Código	Año	(Motor) Cilindros	(Motor) Desplazamiento en pulgadas cúbicas	Carb.	Observaciones
A	2008-2003	V8	281	SFI	4.6 L, Cadillac
A	1995-1992	4	138	EFI	2.3 L, Chev., Olds.
A	1995-1989	4	138	EFI	2.3 L, Chev., Olds., Pontiac
A	1987	V6	231	2	3.8 L, Buick
A	1986-1978	V8	305	4	5.0 L, Chev.
A	1976	4	140	1	2.3 L, Chev.
B	2008-2006	4		MFI	2.4 L, Chev., Pontiac, Saturn
B	2008-2006	V8	325	MFI	5.3 L, Camionetas Chev./GMC
B	2002	V6	231	MFI	3.8 L, Pontiac
B	1995-1984, 1981-1978	V8	300	EFI	4.9 L, Cadillac
B	1990, 1985-1978	V8	350	4	5.7 L, Buick
B	1984-1982	4	121	2	2.0 L, Chev.
B	1979-1978	V6	231	EFI	3.8 L, Buick
B	1977-1976	V8	350	EFI	5.7 L, Buick
B	1977-1976	4	140	2	2.3 L, Chev.
C	2008-2007	V8	294	MFI	4.8 L, Camionetas Chev./GMC
C	2008-2006	4	325	MFI	5.3 L, Buick, Chev., Pontiac
C	2003-1995	V8	244	EFI	4.0 L, Olds.
C	2005-1999	L4	121	EFI	2.0 L, Chev. Camionetas
C	1991	V6	231	EFI	3.8 L, Olds., Pontiac, EFI
C	1991, 1979-1978	V6	189	EFI	3.1 L, Pontiac
C	1991, 1989-1988, 1982-1978	V6	231	EFI	3.8 L, Buick
C	1987-1982	4	98	2	1.6 L, Chev.
C	1986-1985	V6	231	2	3.8 L, Buick
D	2008-2006	4	134	MFI	2.2 L, Chev., Saturn
D	2008-2006	V8		MFI	4.4 L, Cadillac
D	2008-2006	V8	403	Diesel	6.6 L, Camionetas Chev./GMC
D	1998-1991	V6	189	EFI	3.1 L, Olds., Pontiac
D	1998-1989	V6	189	EFI	3.1 L, Chev.
D	1995-1992	4	138	EFI	2.3 L, Pontiac
D	1995-1990	4	138	EFI	2.3 L, Olds.
D	1991-1990	4	138	EFI	2.3 L, Buick
D	1990-1988	4	140	EFI	2.3 L, Olds.
D	1988	V6	231	EFI	3.8 L, Buick
D	1986-1981	4	111	Diesel	1.8 L, Chev. (Isuzu)
D	1979-1976	V6	250	1	4.0 L, Chev.
E	2008-2007	5	223	MFI	3.7 L, Camionetas Chev./GMC, Hummer
E	2008-2006	V8	427	MFI	7.0 L, Chev.
E	2005-1997	6	207	MFI	3.4 L, Buick, Chev., Olds., Pontiac
E	1993-1988, 1976	V8	305	EFI	5.0 L, Chev., Olds., Pontiac
E	1992-1991, 1986-1985	V8	305	EFI	5.0 L, Buick
E	1992-1991, 1979	V8	305	EFI	5.0 L, Cadillac
E	1992-1991, 1977	V8	305	EFI	5.0 L, Olds.
E	1992-1991, 1977-1976	V8	305	EFI	5.0 L, Pontiac
E	1991	4	151	EFI	2.5 L, Chev.

# Códigos de los motores de los vehículos de pasajeros y de las camionetas ligeras GM

2008-1981 — El 8º. dígito del número de identificación del vehículo indica la identificación del motor

1980-1976 — El 5º. dígito del número de identificación del vehículo indica la identificación del motor

Para convertir litros en pulgadas cúbicas, multiplique por 61.0250

Código	Año	(Motor) Cilindros	(Motor) Desplazamiento en pulgadas cúbicas	Carb.	Observaciones
E	1986	V6	181	EFI	3.0 L, Buick
E	1985-1982	V6	181	2	3.0 L, Buick
E	1979-1976	4	98	1	1.6 L, Chev.
F	2008-2006	6	207	MFI	3.4 L, Chev. Camioneta, Pontiac
F	2008-1999	L4	134	MFI	2.2 L, Chev., Olds., Pontiac (canadiense), Saturn
F	2002-1992	V8	395	Diesel	6.5 L, Camionetas Chev./GMC
F	1992-1991, 1977-1976	V8	305	N/L	5.0 L, Pontiac
F	1992-1987, 1983	V8	305	EFI	5.0 L, Chev.
F	1983-1982	4	151	2	2.5 L, Pontiac
F	1980-1976	V8	260	2	4.3 L, Olds.
G	2007-2001	8	350	MFI	8.1 L, Camionetas Chev./GMC
G	2004-1997	V8	350	MFI	5.7 L, Chev., Pontiac
G	1998-1990	4	134	EFI	2.2 L, Chev.
G	1988-1987, 1982	V8	305	4	5.0 L, Chev.
G	1983	V6	231	2	3.8 L, Buick
G	1982	4	112	2	1.8 L, Chev.
G	1978-1977	V8	305	2	5.0 L, Chev.
G	1976	V8	262	2	4.3 L, Chev.
H	2008-2005	V8	366	SFI	6.0 L, Chev. Camioneta, Pontiac
H	2002-1999	V6	215	MFI	3.5 L, Olds.
H	1999-1997	Eléctrico			85 KW, Chev. Camionetas
H	1994-1992	4	121	EFI	2.0 L, Pontiac
H	1988-1987	V8	305	4	5.0 L, Chev.
H	1980-1976	V8	350	2	5.7 L, Buick
I	2002-2001	V8	403	Diesel	6.6 L, Camionetas Chev./GMC
I	1995	V6	231	EFI	3.8 L, Buick
I	1988-1987	4	121	EFI	2.0 L, Chev.
I	1977-1976	4	85	1	1.4 L, Chev.
J	2008-2007	V8	325	MFI	5.3 L, Camionetas Chev./GMC
J	2005-1999	V6	189	SFI	3.1 L, Buick, Chev., Olds., Pontiac
J	2003-1996	V8	454	Gas	7.4 L, Camionetas Chev./GMC, MFI
J	1998-1990	V8	350	EFI	5.7 L, Chev.
J	1986-1984	4	112	EFI	1.8 L, Pontiac
J	1982-1979	V8	267	2	4.4 L, Chev.
J	1977	4	98	1	1.6 L, Chev.
J	1977-1976	V8	350	4	5.7 L, Buick
K	2008-2007	V8	366	MFI	6.0 L, Camionetas Chev./GMC
K	2008-2006	6	214	MFI	3.5 L, Chev.
K	2005-1995	V6	231	MFI	3.8 L, Buick, Chev., Olds., Pontiac
K	1991-1988	4	121	EFI	2.0 L, Pontiac
K	1986	4	151	2	2.5 L, Pontiac
K	1985	4	92	2	1.5 L, Chev (Isuzu)
K	1979-1977	V8	403	4	6.6 L, Olds.
L	2007-2006	6	211	MFI	3.5 L, Buick, Chev. Camioneta, Pontiac, Saturn
L	2006	6		MFI	2.5 L, Chev.

# Códigos de los motores de los vehículos de pasajeros y de las camionetas ligeras GM

2008-1981 — El 8º. dígito del número de identificación del vehículo indica la identificación del motor

1980-1976 — El 5º. dígito del número de identificación del vehículo indica la identificación del motor

Para convertir litros en pulgadas cúbicas, multiplique por 61.0250

Código	Año	(Motor) Cilindros	(Motor) Desplazamiento en pulgadas cúbicas	Carb.	Observaciones
L	2006-2003	L4	1794-1798	SFI	1.8 L, Pontiac
L	1995-1992	V6	231	EFI	3.8 L, Pontiac
L	1995-1991, 1988, 1986	V6	231	EFI	3.8 L, Buick
L	1994-1992	V6	231	EFI	3.8 L, Chev.
L	1994-1991	V6	231	EFI	3.8 L, Olds.
L	1987-1985	V6	181	EFI	3.0 L, Buick
L	1987-1985	V6	173	EFI	2.8 L, Chev.
L	1984-1983	V6	173	2	2.8 L, Chev.
L	1980-1978	V8	350	4	5.7 L, Chev.
M	2008-2005	V8	327		5.3 L, Buick, Camionetas Chev./GMC, Pontiac
M	2004-2003	L4	85	MFI	1.4 L, Chev.
M	2004-2003	V6		MFI	2.6 L, Cadillac
M	2003	V6	189	MFI	3.1 L, Buick, Chev., Olds., Pontiac
M	2002-1996	V8	305	MFI	5.0 L, Camionetas Chev./GMC, MFI
M	2000-1990	V8			7.0 L, Camionetas Chev./GMC
M	1999-1995	V6	189	EFI	3.1 L, Chev.
M	1996-1994	V6	189	EFI	3.1 L, Buick, Pontiac
M	1996-1993	V6	189	EFI	3.1 L, Olds.
M	1985	3	61	2	1.0 L, Chev (Suzuki)
N	2007	V8	366	MFI	6.0 L, Camionetas Chev./GMC
N	2008-2006	6	214	MFI	3.5 L, Chev. (Canadá), Chev., Pontiac
N	2006-2002	V8	368	MFI	6.0 L, Cadillac, Camionetas Chev./GMC HO
N	2005-2003	V8	281	MFI	4.6 L, Cadillac
N	2004	V6	194	MFI	3.2 L, Cadillac
N	1993-1992	V6	204	EFI	3.3 L, Pontiac
N	1993-1992, 1990-1989, 1984-1983	V6	204	EFI	3.3 L, Olds.
N	1993-1992, 1990-1989, 1982-1980	V6	204	EFI	3.3 L, Buick
N	1990	V6	200	EFI	3.3 L, Olds.
O	1991	4	138	EFI	2.3 L, Pontiac
P	2008	L4		MFI	2.4 L, Chev.
P	2007-2004	4	121		2.0 L, Chev., Saturn
P	2006-2005	V8	327		5.3 L, Buick, Camionetas GMC
P	2004	V8		SFI	5.8 L, Cadillac
P	2003	V8	350	MFI	5.7 L, Chev., Pontiac
P	2000-1990	V8	366		6.0 L, Camionetas Chev./GMC
P	1999-1994	V8	395	Diesel	6.5 L, Camionetas Chev./GMC
P	1999-1992	V8	350	EFI	5.7 L, Chev., Pontiac
P	1996-1994	V8	350	EFI	5.7 L, Buick, Cadillac
P	1992	V8	350	4	5.7 L, Pontiac
P	1986-1983	4	121	EFI	2.0 L, Chev.
P	1979	V8	260	Diesel	4.3 L, Olds.
R	2007	6	237	MFI	3.9 L, Chev.
R	2004-1997	V6	181	MFI	3.0 L, Cadillac, Pontiac (canadiense), Saturn
R	2000-1996	V8	350	MFI	5.7 L, Camionetas Chev./GMC
R	1996-1993	V6	207	EFI	3.4 L, Olds., Pontiac

# Códigos de los motores de los vehículos de pasajeros y de las camionetas ligeras GM

2008-1981 — El 8º. dígito del número de identificación del vehículo indica la identificación del motor

1980-1976 — El 5º. dígito del número de identificación del vehículo indica la identificación del motor

Para convertir litros en pulgadas cúbicas, multiplique por 61.0250

Código	Año	(Motor) Cilindros	(Motor) Desplazamiento en pulgadas cúbicas	Carb.	Observaciones
R	1992-1989	4	151	EFI	2.5 L, Chev.
R	1992-1991, 1989	4	151	EFI	2.5 L, Buick
R	1992-1991, 1986	4	151	N/L	2.5 L, Olds.
R	1992-1991, 1986	4	151	EFI	2.5 L, Olds.
R	1991	V6	173	EFI	2.8 L, Chev.
R	1991-1982	4	151		2.5 L, Pontiac
R	1991, 1986-1977	V6	204	EFI	3.3 L, Olds.
R	1980-1977	V8	350	4	5.7 L, Olds.
S	2008-2005	V6	256		4.2 L, Camionetas Chev./GMC, Buick
S	2005-2002	V8	350	SFI	5.7 L, Chev., Cadillac
S	2005-2002	L6		MFI	4.2 L, Camionetas Chev./GMC
S	1999-1994	V8	395	Diesel/Turbo	6.5 L, Camionetas Chev./GMC
S	1995-1993	V6	207	EFI	3.4 L, Chev., Pontiac
S	1989-1985	V6	173	EFI	2.8 L, Chev.
S	1986-1985	V6	173	2	2.8 L, Chev.
S	1986-1980	V8	305	EFI	5.0 L, Chev.
S	1981-1980	V8	265	2	4.3 L, Pontiac
T	2008-1999	V8	323	SFI	5.3 L, Camionetas Chev./GMC
T	2007-2006	V8	325	MFI	2.8 L, Cadillac
T	2004-1996	4	146	MFI	2.4 L, Buick, Chev., Olds., Pontiac
T	1998-1990	V6	189	EFI	3.1 L, Chev., Pontiac
T	1998-1989	V6	189	EFI	3.1 L, Buick
T	1998-1990, 1979-1978	V6	189	EFI	3.1 L, Olds.
T	1994-1993	V6	189	EFI	3.1 L, Pontiac
T	1985	V8	260	Diesel	4.3 L, Olds.
T	1985-1982	V6	260	EFI	4.3 L, Olds.
T	1979-1977	V8	301	4	4.9 L, Pontiac
T	1979-1976	V8	425	EFI	7.0 L, Cadillac
U	2007-1999	V8	366		6.0 L, Cadillac, Chev., Camionetas Chev./GMC, Pontiac
U	1990, 1986	4	151	EFI	2.5 L, Buick
U	1990-1985	4	151	EFI	2.5 L, Pontiac
U	1986-1983	V8	305	2	5.0 L, Chev.
V	2008	V6	217	DI	3.6 L, Cadillac
V	2007-1999	V8	292		4.8 L, Camionetas Chev./GMC
V	1985-1982	V6	260	Diesel	4.3 L, Olds.
V	1980-1977	4	151	2	2.5 L, Pontiac
V	1977-1976	V8	350	2	5.7 L, Chev.
W	2008	V6	237	MFI	3.9 L, Chev. APV
W	2002-1992	V6	262	CPI	4.3 L, Camionetas Chev./GMC, HO
W	1999	V6	181	SFI	3.0 L, Cadillac
W	2004-1994	V8	265	EFI	4.3 L, Chev.
W	1993	V6	189	EFI	3.1 L, Chev.
W	1989	V6	173	EFI	2.8 L, Buick
W	1989-1985	V6	173	EFI	2.8 L, Chev.
W	1978	V8	301	4	4.9 L, Pontiac



# Códigos de los motores de los vehículos de pasajeros y de las camionetas ligeras GM

2008-1981 — El 8º. dígito del número de identificación del vehículo indica la identificación del motor

1980-1976 — El 5º. dígito del número de identificación del vehículo indica la identificación del motor

Para convertir litros en pulgadas cúbicas, multiplique por 61.0250

Código	Año	(Motor) Cilindros	(Motor) Desplazamiento en pulgadas cúbicas	Carb.	Observaciones
X	2008-2003	V6	262	MFI	4.3 L, Camionetas Chev./GMC
X	2003	V6	207	MFI	3.4 L, Chev., Olds.
X	1998-1996	V6	262	CPI	4.3 L, Camionetas Chev./GMC
X	1998-1991, 1986	V6	207	EFI	3.4 L, Chev.
X	1998-1991, 1977-1976	V6	207	EFI	3.4 L, Olds., Pontiac
X	1986-1980	V6	173	2	2.8 L, Chev.
X	1979-1978	V8	350	4	5.7 L, Chev.
X	1976	V8	350	4	5.7 L, Buick
Y	2008-2007	V8	366	MFI	6.0 L, Camionetas Chev./GMC
Y	2007-1993	V8	281	EFI	4.6 L, Buick, Cadillac
Y	2000-1994	V8	395	Diesel	6.5 L, Camionetas Chev./GMC
Y	1991-1990, 1986-1985	V8	305	4	5.0 L, Cadillac
Y	1989	V8	305	4	5.0 L, Chev.
Z	2007-2002	V8	327	MFI	5.3 L, Camionetas Chev./GMC
Z	2006-2003	L4	122	MFI	2.0 L, Cadillac, Chev.
Z	1993	V8	250	EFI	4.1 L, Cadillac
Z	1993	V6	262	EFI	4.3 L, Cadillac
Z	1993-1985	V6	262	EFI	4.3 L, Chev.
Z	1987	V6	173	EFI	2.8 L, Chev.
Z	1984-1981	V6	173	2	2.8 L, Chev.
Z	1979-1977	V8	400	4	6.6 L, Pontiac
0	2008-2007	V8	325	MFI	5.3 L, Camionetas Chev./GMC
0	1986-1982	4	112	EFI	1.8 L, Pontiac (Brasil)
0	1979-1978	4	98	2	1.6 L, Chev.
1	2008-2006	V6	237	MFI	3.9L, Buick, Chev., Chev. APV, Pontiac, Saturn
1	2005-1993	V6	231	EFI	3.8 L, Chev., Buick, Olds., Pontiac
1	1998-1992	V6	231	EFI	3.8 L, Pontiac
1	1989	4	122	EFI	2.0 L, Buick, Chev.
1	1984-1982	V6	173	2	2.8 L, Chev.
1	1979-1978	4	151	2	2.5 L, Pontiac
2	2008-2006	V8	403	Diesel	6.6 L, Camionetas Chev./GMC
2	2007-2004	V6	231	SFI	3.8 L, Buick, Pontiac
2	2003-1998	L4	79	MFI	1.3 L, Chev. Camioneta, Pontiac (canadiense)
2	1990-1987	3	61	Turbo	1.0 L, Chev. (Suzuki)
2	1986-1982	4	151	EFI	2.5 L, Pontiac
2	1985-1982	V6	231	2	3.8 L, Buick
3	2008	V6	237	MFI	3.9 L, Chev.
3	2008-2007	V8	325	MFI	5.3 L, Camionetas Chev./GMC, Combustible flexible
3	2006	V8	403	Diesel	6.6 L, Chev. Camionetas
3	1995-1992	4	138	EFI	2.3 L, Buick, Olds., Pontiac
3	1993	4	138	EFI	2.3 L, Pontiac
3	1990	V8	273	EFI	4.5 L, Cadillac
3	1988-1987, 1985	V6	231	EFI	3.8 L, Buick
3	1986-1985	V6	231	4	3.8 L, Buick
4	2008	V8	325	Combustible flexible	5.3 L, Camionetas Chev./GMC

# Códigos de los motores de los vehículos de pasajeros y de las camionetas ligeras GM

2008-1981 — El 8º. dígito del número de identificación del vehículo indica la identificación del motor

1980-1976 — El 5º. dígito del número de identificación del vehículo indica la identificación del motor

Para convertir litros en pulgadas cúbicas, multiplique por 61.0250

Código	Año	(Motor) Cilindros	(Motor) Desplazamiento en pulgadas cúbicas	Carb.	Observaciones
4	2007-2006	V6	214	MFI	3.5 L, Saturn
4	2007-2004	V6	231	SFI	3.8 L, Pontiac
4	2004-1994	4	134	MFI	2.2 L, Camionetas Chev./GMC
4	1996-1993	4	134	EFI	2.2 L, Buick, Olds.
4	2003-1992	4	134	EFI	2.2 L, Chev., Pontiac
4	1988-1985	4	98	2	1.6 L, Chev.
4	1986	V6	252	2	4.1 L, Buick
4	1986-1983, 1981-1980	V8	350	4	5.7 L, Chev.
4	1986-1980	V6	252	4	4.1 L, Buick
5	2008	L4		Híbrido	2.4 L, Chev., Saturn
5	2008	V8	364	Híbrido	6.0 L, Camionetas Chev./GMC
5	2003	V8	350	MFI	5.7 L, Chev.
5	2003-1999	102AC312			EVI Eléctrico
5	2002-2000	L4	115	MFI	2.2 L, Camionetas Chev./GMC
5	2000-1998	L6	400	Diesel	6.6 L, Camionetas Chev./GMC
5	1996	V8	350	MFI	5.7 L, Chev.
5	1991-1988	4	98	EFI	1.6 L, (Toyota)
5	1989-1988	V8	273	EFI	4.5 L, Cadillac
5	1987-1986	3	61	2	1.0 L, Chev. (Suzuki)
5	1983-1980	4	151	2	2.5 L, Pontiac
6	2008-2007	V8	403	Diesel	6.6 L, Camionetas Chev./GMC
6	2008-2006	4		MFI	1.6 L, Chev., Pontiac (Canadá)
6	2006	5	211	MFI	3.5 L, Camionetas Chev./GMC
6	2004	L4	115	MFI	2.2 L, Camionetas Chev./GMC
6	2003-1989	3	61	EFI	1.0 L, Chev. (Suzuki)
6	2003-1997	L4	98	MFI	1.6 L, Chev., Camionetas Chev./GMC
6	1991-1988	4	98	EFI	1.6 L, (Toyota)
6	1987	4	350	4	5.7 L, Chev.
6	1980	V8	368	4	6.0 L, Cadillac
7	2008	V6	217	MFI	3.6 L, Camionetas Chev./GMC
7	2008-2004	V6	217	FI	3.6 L, Buick, Cadillac, Pontiac
7	2001-1999	L4	116	SFI	1.9 L, Saturn
7	1993-1992	V8	350	EFI	5.7 L, Buick, Cadillac
7	1992-1990, 1986-1982, 1980	V8	350	EFI	5.7 L, Chev.
7	1990, 1985-1984	V6	231	EFI	3.8 L, Buick
7	1988-1987	V8	250	EFI	4.1 L, Cadillac
7	1988-1986	4	92	2	1.5 L, Chev. (Isuzu)
7	1980	V6	173	2	2.8 L, Chev.
7	1979-1978	V8	305	EFI	5.0 L, Chev.
8	2008-2007	4		MFI	1.8 L, Pontiac
8	2008-2007	V8	378	MFI	6.2 L, Cadillac, Camionetas Chev./GMC
8	2006	4	169	MFI	2.8 L, Camionetas Chev./GMC
8	2006-2004	V6	215	SFI	3.5 L, Buick, Chev., Pontiac, Saturn
8	2005-1999	L4	108	MFI	1.8 L, Chev., Saturn
8	2001-1998	L4	116	SFI	1.9 L, Saturn

# Códigos de los motores de los vehículos de pasajeros y de las camionetas ligeras GM

2008-1981 — El 8º. dígito del número de identificación del vehículo indica la identificación del motor

1980-1976 — El 5º. dígito del número de identificación del vehículo indica la identificación del motor

Para convertir litros en pulgadas cúbicas, multiplique por 61.0250

Código	Año	(Motor) Cilindros	(Motor) Desplazamiento en pulgadas cúbicas	Carb.	Observaciones
8	1998-1987, 1980-1979	V8	350	EFI	5.7 L, Chev.
8	1992-1991, 1981-1980	V8	273	EFI	4.5 L, Cadillac,
8	1988-1987, 1985-1984	V8	252	EFI	4.1 L, Cadillac
8	1986-1982	V8	250	EFI	4.1 L, Cadillac
8	1985-1984	V6	231	4	3.8 L, Buick
8	1982	V8	260	2	4.3 L, Olds.
8	1980	V8	350	EFI	5.7 L, Olds.
9	2008-2007	4	178	MFI	2.9 L, Camionetas Chev./GMC
9	2006-1993	V8	281	EFI	4.6 L, Cadillac
9	2005-2004	V8	279	SFI	4.6 L, Cadillac
9	2003-1998	V8	283	MFI	4.6 L, Camionetas Chev./GMC
9	1990-1989, 1981-1980	4	98	2	1.6 L, (Toyota)
9	1988-1986	4	92	Turbo	1.5 L, Chev. (Isuzu)
9	1988-1985	V6	173	EFI	2.8 L, Chev.
9	1986-1985	V6	231	EFI	3.8 L, Buick
9	1984-1980	V8	368	EFI	6.0 L, Cadillac
9	1979	4	151	2	2.5 L, Pontiac
9	1978	V6	229	N/L	3.8 L, Chev.
9	1976	V8	307	EFI	5.0 L, Olds.

# Información del sistema de frenos GM

## Sistemas de frenos de los vehículos con carrocería "A" General Motors (Buick Century, Chevrolet Celebrity, Oldsmobile Ciera, Pontiac 6000) 1995-1991

La siguiente información se proporciona para ayudar en la identificación de los sistemas de frenos que se utilizan en los vehículos con carrocería "A".

Consulte la Etiqueta de identificación de las piezas de refacciones para la identificación del sistema de frenos.

Ejemplo:

Identificación de las piezas de refacciones												NO REMOVER			
1 G 3 A R 4 7 9 X E 5 1 0 0 0 0 1															
AG	AM6	AU3	A31	A90	BMD	B34	B51	B65	B85	B93	C02	C04	C49	C60	
C90	C95	DF3	D3C	D33	D64	E5Z	E7D	FFL	F40	GG1	GU2	G60	G67	G89	
JA1	JA4	K05	K15	K99	LV2	MW9	MX0	NA5	NB1	NK1	NK3	N33	N67	GJW	
T87	UJ3	U23	U35	V08	V10	WC3	WG2	YT9	Y56	01L	6PH	42B	42I	42Q	
42T	409	7PH	11A	90A											
SCO # 253 PAINT LOWER BODY GM CODE 42															
LT GRAY FERN MET-1984 CUTLASS															
COLOR DUPONT CODE 397-AB154															
FISHER CODE WA 8239															
FILLERS TO BE ARGENT															
IMPRESO EN EE.UU.												No. DE PIEZA 14065987			

Las opciones "J" ofrecen los tipos de frenos que se utilizan para la producción

# Instrucciones de instalación de los sellos de aceite

1. Verifique el alojamiento. — El borde delantero debe estar libre de rebabas. Debe tener una esquina o chaflán redondeado.
2. Verifique la flecha. — Elimine las melladuras, rebabas, ranuras y marcas en espiral de la máquina (guía de la máquina).
3. Verifique el extremo de la flecha. — Elimine las rebabas o los bordes filosos. El extremo de la flecha debe tener chaflán en las aplicaciones donde la flecha entra en el lado de sellado del sello.
4. Verifique las estrías y los cuñeros. — Los bordes filosos se deben cubrir con una camisa del conjunto lubricada, una pila de calzas o cinta para proteger el labio del sello.
5. Verifique las dimensiones. — Asegúrese de que los diámetros de la flecha y el alojamiento coinciden con los especificados para el sello seleccionado.
6. Verifique que no exista interferencia con otras piezas. — Observe que no haya otras piezas de la máquina que puedan tallarse contra el sello ocasionando fricción y calentamiento dañino.
7. Verifique el sello. — Puede haberse dañado antes de la instalación. Se debe sustituir un sello que presenta el labio de sellado volteado, cortado o está dañado de alguna otra forma.
8. Verifique la orientación del sello. — Asegúrese de que el sello nuevo se orienta en la misma dirección que el original. Generalmente, el labio queda del lado del lubricante o del fluido que va a retener.
9. Utilice las herramientas de instalación correctas. — Las herramientas de ajuste a presión deben tener un diámetro exterior aproximadamente 0.010" (0.254 mm) menor que el del alojamiento. Para obtener mejores resultados, el centro de la herramienta debe estar abierto para que la presión se aplique sólo en el borde exterior.
10. Prelubrique el elemento de sellado. — Antes de la instalación, humedezca el elemento con el lubricante que se va a retener.
11. Nunca golpee con un martillo directamente sobre la superficie del sello. — Utilice la fuerza de empuje adecuada, como la de una herramienta de superficie suave, una prensa de ariete o una pieza de madera. Aplique la fuerza de manera uniforme alrededor del borde exterior para evitar levantar el sello de un lado.
12. Coloque el sello adecuadamente en la carcasa, inspeccione que la alineación sea la correcta y que no existan daños debidos a la instalación.

## Después de la instalación.

1. Si va a aplicar pintura, asegúrese de cubrir el sello para evitar que entre pintura en el labio o en la superficie de la flecha donde hace contacto el labio. También, cubra los respiraderos para que no se obstruyan.
2. Si la pintura se va a hornear o se va a aplicar calor al mecanismo, el sello no se debe calentar a una temperatura superior a la que puede tolerar el labio.
3. Si limpian o se realizan pruebas, no sujete los sellos a fluidos o presiones que pueden dañarlos.

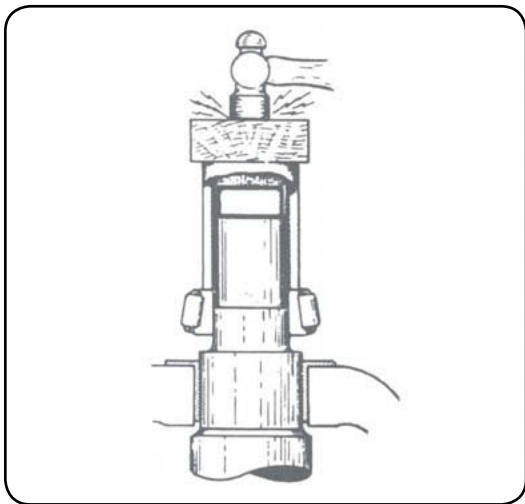
# Instrucciones de instalación de los rodamientos

Los procedimientos incorrectos durante el manejo y la instalación, son la causa más frecuente de la falla prematura de los rodamientos. A continuación encontrará una lista de comprobación que lo guiará en el cuidado adecuado de los rodamientos.

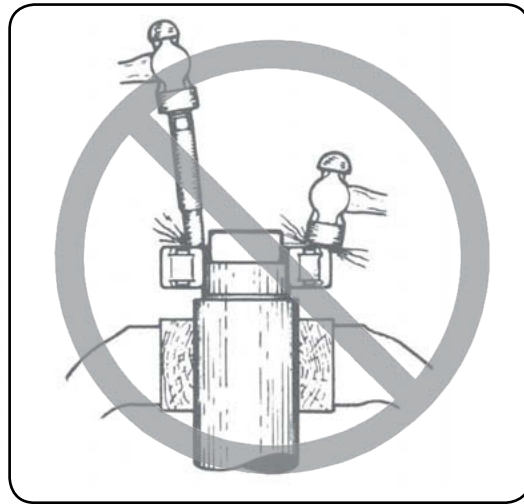
## Lista de comprobación para el cuidado de los rodamientos

1. Asegúrese de que el área de trabajo esté limpia. Antes de exponer los rodamientos debe eliminarse toda la suciedad que sea posible.
2. Todas las herramientas deben estar limpias y en buenas condiciones.
3. Siempre maneje los rodamientos con las manos limpias y secas.
4. Para limpiar un rodamiento nunca utilice una solución de limpieza sucia o contaminada para el enjuague final.
5. Para limpiar y secar los rodamientos siempre utilice tela limpia, que no desprenda pelusa.
6. No haga girar un rodamiento utilizando aire comprimido.
7. Cubra los rodamientos recién limpiados o nuevos para evitar la contaminación con suciedad o humedad.
8. Los lubricantes para sellador deben estar limpios y se deben almacenar en recipientes sellados.
9. No quite o lave el lubricante de un rodamiento nuevo.
10. Inspeccione y limpie el alojamiento en la carcasa y la flecha antes de instalar un rodamiento.
11. Lubrique el rodamiento justo antes de la instalación.

## Procedimiento de instalación



1. Siempre aplique la presión de instalación contra el anillo en el cual se encuentra el ajuste a presión.
2. Para evitar cualquier daño en la superficie del rodamiento, utilice las herramientas adecuadas para instalar una taza.

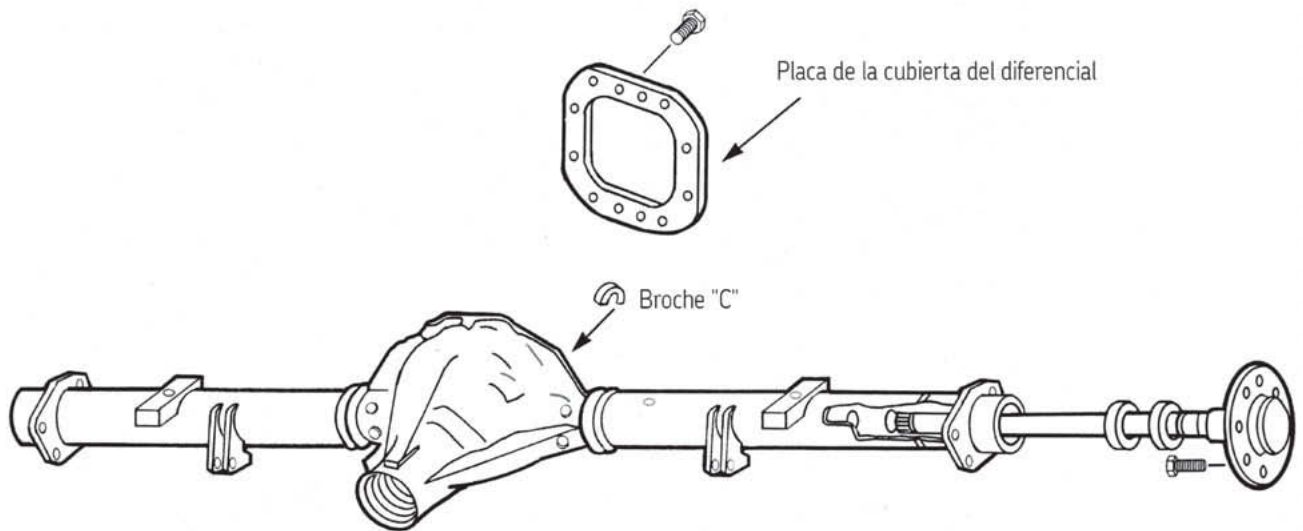


1. Nunca golpee con un martillo directamente sobre el rodamiento, esta acción dañará el rodamiento y la flecha.

# Eje semi flotante frente a eje completamente flotante

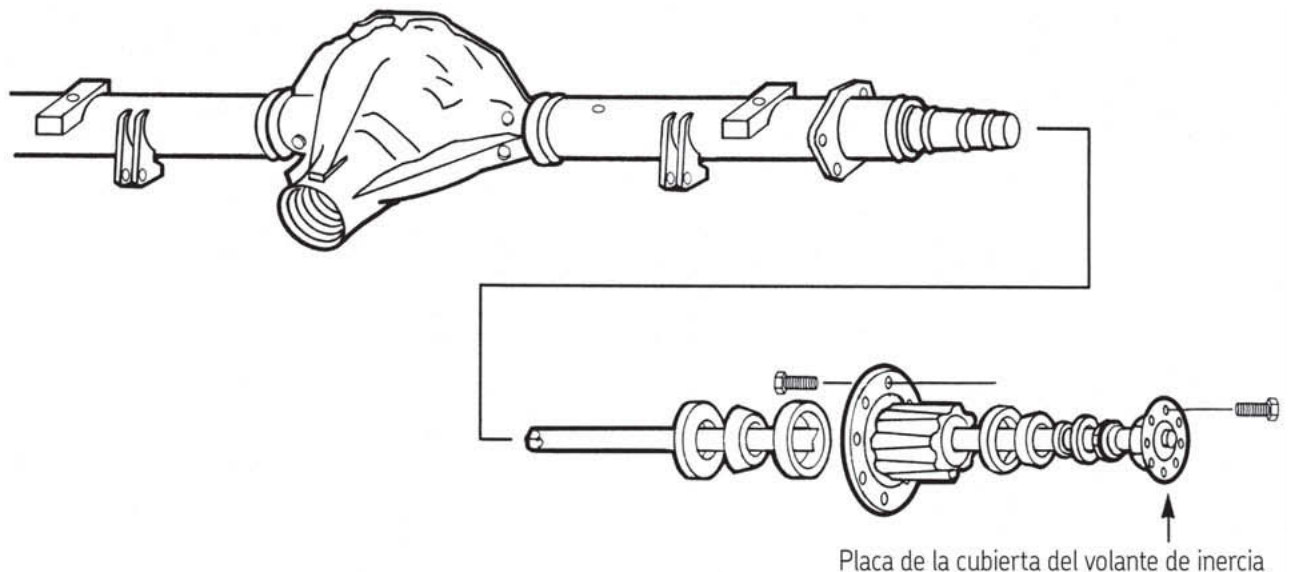
## Eje semi flotante típico

El eje semi flotante típico no se puede desmontar sin quitar la placa de la cubierta del diferencial y desensamblando primero el broche "C" del eje.



## Eje completamente flotante típico

Los ejes completamente flotantes típicos se desensamblan jalando el eje a través del centro de la rueda y del aro de la rueda después de quitar los pernos de la placa de la cubierta de la rueda. El eje semi flotante típico no se puede desmontar sin quitar la placa de la cubierta del diferencial y desensamblando primero el broche "C" del eje.







## Notas



## ADVERTENCIA!

**La selección correcta de los productos enumerados para venta en este catálogo es esencial para minimizar el riesgo de falla de los sellos, cojinetes u otros productos. Tales fallas pueden ocasionar daños a la propiedad o lesiones graves a los operadores de maquinarias, vehículos u otros. Debe evaluar cuidadosamente la aplicación particular sobre o en la que usted prevé instalar los productos. Los productos de este catálogo requieren instalación por un mecánico profesional experimentado o un profesional de mantenimiento calificado.**

Las propiedades y los parámetros operacionales descritos en este catálogo se basan en pruebas realizadas por SKF o informadas por terceros. SKF no asume ninguna responsabilidad por los errores de los datos publicados en este catálogo. La vida útil y el rendimiento de los productos dependen, en última instancia, de varios factores. Entre ellos, por ejemplo, está la selección del tipo de diseño del producto, la selección de los materiales por sus diferentes propiedades, la manipulación e instalación, las condiciones de funcionamiento, incluidas las condiciones de las superficies de los ejes y el interior de los orificios, la cantidad, calidad y composición química de los lubricantes y otros factores. Los ambientes inclementes pueden afectar adversamente a la vida útil o el rendimiento de los productos. Para obtener asistencia a fin de prolongar la vida útil de los productos SKF, así como para lograr un rendimiento óptimo en su aplicación específica, comuníquese con el Departamento de Servicio al Cliente al 1-800-882-0008.

### GARANTÍA LIMITADA

SKF garantiza al primer comprador que los productos que vende, cuando se instalan correctamente, están libres de defectos de material y mano de obra. La única obligación y responsabilidad legal de SKF por cualquier defecto que ésta determine que exista y esté cubierto por esta garantía limitada en un producto vendido por SKF, así como la única y exclusiva reparación de tal defecto, está limitada a: (A) La provisión por parte de SKF sin cargo adicional al comprador, incluido el transporte, de un reemplazo de cualquiera de los productos vendidos por SKF que ésta determina que es defectuoso y esté cubierto por esta garantía limitada y (B), en el caso de los productos que SKF no pueda reparar ni reemplazar, SKF acreditará o reembolsará al comprador el precio de compra pagado por el producto siempre que se le notifique por escrito acerca de tal defecto del producto dentro de los treinta (30) días de la fecha de descubrimiento del mismo, y que el producto defectuoso se devuelva f.o.b. al depósito designado por SKF sin demora, pero en todo caso antes de los doce (12) meses (veinticuatro (24) meses únicamente en el caso de los productos de unidades de cubos para servicio liviano) a partir de la fecha de compra. SKF no está obligada en ningún caso, según esta garantía limitada ni de ninguna otra manera, por el desgaste natural debido al uso normal, o por los productos vendidos por SKF que, después de su entrega por ésta y a la sola determinación de SKF, han sido sometidos a accidentes, abusos, aplicaciones incorrectas, reparación o instalación incorrectas o defectuosas, mantenimiento o lubricación incorrectos o defectuosos, cualquier alteración o negligencia, carga excesiva u otras condiciones de funcionamiento excesivas, como tampoco por los defectos causados o resultantes de especificaciones o diseños del comprador, o causados por éste de cualquier otra manera. HASTA EL MÁXIMO QUE PERMITEN LAS LEYES VIGENTES, SKF DECLINA TODA RESPONSABILIDAD LEGAL, BASADA EN ACTOS EXTRA CONTRACTUALES O CONTRACTUALES, EN NEGLIGENCIA, RESPONSABILIDAD CIVIL Estricta O DE OTRO TIPO, POR CUALQUIER OTRA REPARACIÓN O DAÑOS Y PERJUICIOS, YA SEAN DIRECTOS O INDIRECTOS, INCIDENTALES, ESPECIALES, EJEMPLARES O CONSECUENTES CON RESPECTO AL CUMPLIMIENTO DE LA PRESENTE, INCLUIDOS SIN LIMITACIONES LOS PRODUCTOS VENDIDOS O PROVISTOS SEGÚN LA PRESENTE POR SKF, ASÍ COMO SU PROVISIÓN DE CUALQUIER SERVICIO RELACIONADO. ESTA GARANTÍA LIMITADA EXCLUYE TODAS LAS DEMÁS GARANTÍAS, EXPRESAS O IMPLÍCITAS, INCLUIDAS LAS GARANTÍAS DE COMERCIALIZACIÓN O APTITUD PARA UN PROPÓSITO PARTICULAR. ESTA GARANTÍA LIMITADA NO CUBRE LOS COSTOS INCURRIDOS PARA EL MANTENIMIENTO DE RUTINA. Sin limitar la generalidad de lo antedicho, SKF declina específicamente la responsabilidad legal ante el comprador por cualquier pérdida, costo o daño incurrido como resultado del tiempo que el equipo estuvo fuera de servicio, o las pérdidas de uso o disponibilidad del lugar de la obra, los ingresos o ganancias caídos, independientemente de que SKF estuviera notificada de la posibilidad de tales daños o pérdidas y hubiera podido o no prevenirlos. SKF no autoriza a ninguna otra persona a tomar a cargo o realizar en nombre de SKF ninguna manifestación o garantía ulterior adicional o contraria a esta garantía limitada o a las limitaciones y declinaciones de responsabilidad establecidas en la presente. Las reparaciones exclusivas previstas en esta garantía limitada no se considerarán fallidas en cuanto su propósito esencial siempre que SKF esté dispuesta y sea capaz de cumplirlas con el alcance y de la manera prescriptos en esta garantía limitada.

ALGUNOS ESTADOS NO PERMITEN LIMITACIONES DE LA DURACIÓN DE UNA GARANTÍA IMPLÍCITA O LA EXCLUSIÓN O LIMITACIÓN DE LOS DAÑOS Y PERJUICIOS INCIDENTALES O CONSECUENTES, DE MODO QUE LAS EXCLUSIONES O LIMITACIONES ARRIBA INDICADAS PUEDEN NO APLICARSE A SU CASO. Esta garantía le otorga derechos legales específicos y usted puede tener otros derechos, que varían según el estado.

**INFORMACIÓN Y DEVOLUCIONES:** Este catálogo se refiere a los productos diseñados antes de su publicación y no cubre los cambios a los productos realizados después de esa fecha. Las consultas pueden dirigirse a: SKF Customer Service Department, 890 North State Street, Suite 200, Elgin, IL 60123, o por teléfono al 1-800-882-0008. En caso de cualquier error de entrega (excesos en la cantidad de despacho del producto o productos que no coincidan con la descripción dada por el cliente en su orden de compra) puede efectuarse la devolución para crédito o reemplazo por SKF, siempre que el comprador notifique tal discrepancia a SKF por escrito dentro de los 30 días posteriores a la entrega del producto al comprador y sólo después que SKF otorgue la autorización correspondiente por escrito. Las devoluciones aprobadas deben despacharse con flete prepago y llegar en buen estado vendible a fin de calificar para crédito o reemplazo. De lo contrario, SKF no está obligada a aceptar la devolución de ningún producto que haya vendido o distribuido.

**AVISO:** Los sistemas de numeración de piezas de sus productos son propietarios de SKF. Todo uso incorrecto o no autorizado de estos sistemas de numeración, incluida la adopción o uso de cualquiera de sus números de pieza o listas de números de piezas, incluso cuando el objeto sea la modificación o adición, está estrictamente prohibido y será demandado legalmente por SKF como violación de las leyes de copyright, marcas comerciales y competencia desleal de EE.UU. y otros países. Además, el uso de cualquier marca, nombre o esquema de embalaje comercial, sistemas, colores o diseños de SKF se considera igualmente una violación de los derechos a las marcas, nombres e identidades comerciales de SKF USA y sus afiliadas. La posible violación de ese uso debe ser puesta a la atención de SKF: SKF USA Inc., 890 North State Street, Suite 200, Elgin, Illinois 60123, Attn: Catalog Manager (Gerente de catálogos).

# Mode d'emploi du catalogue

## Section applications

1. Localisez le constructeur
  - Les constructeurs sont énumérés par ordre alphabétique (consultez l' « Index des constructeurs » ou le numéro de page correct.
2. Localisez le modèle
  - Les modèles sont énumérés dans la section de chaque constructeur
3. Localisez les renseignements concernant votre application

Les renseignements sur les applications sont énumérés en colonnes pour chaque véhicule dans l'ordre suivant : Roue avant et arrière, Pignon, Différentiel, Embrayage, Boîte-pont, Boîte de transfert et Boîte de vitesses Toutes les autres applications suivent « Boîtes de vitesses » par ordre alphabétique.
4. Localisez l'année
5. Une fois l'application localisée, lire le numéro de stock SKF à droite de l'application.
6. Pour chaque jeu de roulements énuméré, il y aura dessous les éléments qui le composent dans l'ordre Cône/Bague.

**Cela ne s'applique qu'aux Jeux de roulements dont les composants sont disponibles séparément à l'achat.**

---

## Codes de notes en bas de page

- En ce qui concerne les Directives de montage sur les Roulements de réparation d'essieu, voir page 5C.
- ★ Vérifiez la disponibilité.
- ✦ Numéro de pièce amélioré pour cette application seulement. Le numéro de pièce original indiqué ci-dessus couvre toutes les autres applications.
- Utilisez le vieux circlip.
- ◇ Utilisez le numéro de pièce existant jusqu'à épuisement, puis réapprovisionnez en utilisant le nouveau numéro figurant ci-dessous. Voyez les page 4C pour des renseignements particuliers.
- ▲ N4068 est recommandé pour les embrayages à levier de 12 po.
- [ ] Indique les quantités nécessaires. Voyez la page 3C pour les quantités par paquet de roulements à aiguilles.

# Table des matières

## Applications

Index des modèles de constructeurs .....	6C
Applications automobiles, camionnettes légères et moyennes.....	1

## Information

Listes des abréviations.....	3C
Quantités des paquets de roulements à aiguilles .....	3C
Liste des remplacements.....	4C
Ensemble de roulements de réparation d'essieu .....	5C
Emplacements des joints et roulements, automobile à traction avant.....	11C
Emplacements des joints et roulements, automobile à propulsion et camions à deux roues motrices .....	12C
Emplacements des joints et roulements, automobile et camionnettes à traction intégrale .....	13C
Identification des boîtes de vitesses automatiques/boîtes-ponts Ford/Lincoln/Mercury .....	14C
Identification des boîtes de vitesses manuelles et essieux arrière Ford/Lincoln/Mercury.....	15C
Identification des moteurs Ford .....	19C
Codes de boîtes de vitesses automatiques/boîtes-ponts General Motors.....	25C
Identification des essieux General Motors.....	26C
Identification des moteurs General Motors.....	27C
Système de freinage General Motors .....	33C
Instructions de montage des joints étanches à l'huile.....	34C
Instructions de montage des roulements .....	35C
Essieu semi flottant c. essieu flottant.....	36C
Ensembles de réparation d'arbre SPEEDI-SLEEVE .....	642
Instructions de montage des joints SPEEDI-SLEEVE .....	644
Listes des tailles de SPEEDI-SLEEVE (pouces).....	646
Listes des tailles de SPEEDI-SLEEVE (métriques) .....	653
Listes de tailles de trousse de joints SPEEDI-SLEEVE/défecteurs à graisse.....	660
Trousse de douilles de compression.....	661
Contenu de l'ensemble de différentiel de camionnette légère .....	664
Contenu de l'ensemble de boîte de transfert de camionnette légère .....	686
Contenu de l'ensemble de boîte de vitesses de camionnette légère .....	708
Roulements d'appui d'arbre d'entraînement—Types.....	716
Roulements d'appui d'arbre d'entraînement—Liste numérique.....	717

# Quantités des paquets de roulements à aiguilles en vrac

N° de roulement	Qté par paquet	N° de roulement	Qté par paquet	N° de roulement	Qté par paquet	N° de roulement	Qté par paquet
C407-Q	52	C1110-Q	16	Q8371	110	QAR29523	15
C436-Q	45	B1316-Q	52	Q13367	48	QAR33724	42
C437-Q	61	W1518-Q	20	Q15902	14	QAR34604	17
S444-Q	160	W1590-Q	18	Q15902-F	14	QA47838	52
O513-Q	14	Q6086	36	QA19792	14	QA48181	444
C1086-Q	23	Q8308	116	QBR23549	16	QBR49845	15

## Liste des abréviations

1st..... Premier	EFI..... Injection électronique	O/D..... Surmultiplicateur
2nd..... Second	Eng(s)..... Moteur(s)	OE..... Equipement d'origine
3rd..... Troisième	Exc..... Sauf	OEM..... Equipementier
4th..... Quatrième	Ext..... Rallonge	O.H.C..... Arbre à cames en tête
5th..... Cinquième	F.C..... Conduite avancée	OHV..... Soupape en tête
2 W/D..... Deux roues motrices	Flg(d)..... Bride	oz..... Once
4 W/D..... Traction intégrale	Frt..... Avant	Pass..... Automobile
2 W/S..... Direction à 2 roues	F.W.D..... Traction avant	P/C..... Voiture de police
4 W/S..... Direction à 4 roues	Gen..... Génératrice	Pkg..... Paquet
ABS..... Système de freinage antiblocage	Gr..... Pignon	Prkg..... Stationnement
A/C..... Climatisation	G.V.W..... Poids brut du véhicule	Pwr..... Puissance
Acsry..... Accessoire	H.D..... Robuste	Rev..... Marche arrière
Adj..... Réglable	Hi-Perf..... Haut rendement	R.H..... Droite
Aft..... Après	Hi-Temp..... Haute température	Rr..... Arrière
Alt..... Alternateur	H.O..... Rendement élevé	R.W.D..... Propulsion
Alum..... Aluminium	H.P..... Cheval-puissance	SC..... Suralimenté
Amp..... Ampère	HSC..... Combustion haute turbulence	Sed..... Berline
Assy..... Ensemble	Hsg(s)..... Boîtier(s)	SEFI..... Injection multipoint séquentielle de carburant
Auto..... Automatique	Hyd..... Hydraulique	Ser..... Numéro de série
Aux..... Auxiliaire	I/C..... Refroidisseur intermédiaire	Ser. No..... Numéro de série
A.W.D..... Traction intégrale	I.D..... Diamètre intérieur	Sh..... Arbre
Bbl..... Corps	Incl..... Comprend	SOHC..... Simple arbre à cames en tête
Bef..... Avant	Inj..... Injection	Spdl..... Fusée
Brg(s)..... Roulements	Inn..... Intérieur	Spd..... Vitesse
Brk(s)..... Freins	lb(s)..... Livres	Specs..... Spécifications
Carb..... Carburateur	L..... Litre	Sta..... Familiale
Cat..... Caterpillar	L.D..... Poids léger	Std..... Standard
cc..... Centimètre cube	L.H..... Gauche	Strg..... Direction
CFI..... Injection de carburant dans le corps de papillon	Limo..... Limousine	T/C..... Turbocompresseur
Chas..... Châssis	LP..... Production limitée	THM..... Turbo Hydramatique
Chev..... Chevrolet	LPG..... Alimentation au propane	Thru..... Jusqu'à
Comm..... Commercial	Lt..... Léger	Trans..... Boîte de vitesses
Comp..... Compresseur	Man..... Manuel	Trk..... Camionnette
C.P.S..... Direction à point central	Med..... Moyen	Turbo..... À turbocompresseur
Ctr..... Compteur	MFI..... Injection multipoint de carburant	Vin..... Numéro d'identification de véhicule
Cu. In..... Pouce cube	Mfr..... Constructeur	VV..... Diffuseur variable
Cvr..... Couvercle	Misc..... Divers	w/..... Avec
Cyl..... Cylindre	ml..... Millilitres	w/o..... Sans
Del..... Débit	mm..... Millimètre	W.B..... Empattement
Dia..... Diamètre	M.H.C..... Châssis caravane motorisée	Wgn..... Familiale
Diff..... Différentiel	Mtg..... Montage	Whl(s)..... Roue(s)
DOHC..... Double arbre à cames en tête	No(s)..... Numéro(s)	
D.S.O..... Commande spéciale interne	NP..... Nouveau procédé	
	NPG..... Pignon nouveau procédé	
	O.D..... Diamètre extérieur	

# Liste de remplacements automobiles (2010)

N° de stock existant	Nouveau n° de stock	Action nécessaire	Type de remplacement
208	808	Utilisez le n° de stock existant et renouvelez avec le nouveau n°.	S
663	666	Utilisez le n° de stock existant et renouvelez avec le nouveau n°.	S
1214	1224	Utilisez le n° de stock existant et renouvelez avec le nouveau n°.	S
6203	6903	Utilisez le n° de stock existant et renouvelez avec le nouveau n°.	S
6315	6925	Utilisez le n° de stock existant et renouvelez avec le nouveau n°.	S
6316	6916	Utilisez le n° de stock existant et renouvelez avec le nouveau n°.	S
6413	6913	Utilisez le n° de stock existant et renouvelez avec le nouveau n°.	S
7210	7473	Utilisez le n° de stock existant et renouvelez avec le nouveau n°.	S
16013	16413	Utilisez le n° de stock existant et renouvelez avec le nouveau n°.	S
16015	16415	Utilisez le n° de stock existant et renouvelez avec le nouveau n°.	S
16017	16427	Utilisez le n° de stock existant et renouvelez avec le nouveau n°.	S
16019	16429	Utilisez le n° de stock existant et renouvelez avec le nouveau n°.	S
16021	16441	Utilisez le n° de stock existant et renouvelez avec le nouveau n°.	S
16022	16442	Utilisez le n° de stock existant et renouvelez avec le nouveau n°.	S
16036	16446	Utilisez le n° de stock existant et renouvelez avec le nouveau n°.	S
16038	16448	Utilisez le n° de stock existant et renouvelez avec le nouveau n°.	S
16040	16449	Utilisez le n° de stock existant et renouvelez avec le nouveau n°.	S
16044	16404	Utilisez le n° de stock existant et renouvelez avec le nouveau n°.	S
19799	20031	Utilisez le n° de stock existant et renouvelez avec le nouveau n°.	C
29288	29188	Utilisez le n° de stock existant et renouvelez avec le nouveau n°.	S
29292	29192	Utilisez le n° de stock existant et renouvelez avec le nouveau n°.	S
29675	29676	Utilisez le n° de stock existant et renouvelez avec le nouveau n°.	S
N1467	N1610	Utilisez le n° de stock existant et renouvelez avec le nouveau n°.	S
N1708	N1743	Utilisez le n° de stock existant et renouvelez avec le nouveau n°.	S
N2001	N1181	Utilisez le n° de stock existant et renouvelez avec le nouveau n°.	S
N3006	N2043	Utilisez le n° de stock existant et renouvelez avec le nouveau n°.	S
N3008	N3064	Utilisez le n° de stock existant et renouvelez avec le nouveau n°.	S
N3011	N2043	Utilisez le n° de stock existant et renouvelez avec le nouveau n°.	S
BR930403	BR930701	Utilisez le n° de stock existant et renouvelez avec le nouveau n°.	S

S Pièce remplacée - le n° de pièce existant sera accompagné d'un code Pop 'S'

C Pièce consolidée - le n° de pièce existant sera accompagné d'un code Pop actif, car il a des applications non automobiles.

# Ensemble de roulements de réparation d'essieu

Certains roulements de roues arrière utilisent l'essieu comme une cage interne, c.-à-d. que les rouleaux du roulement sont en contact direct avec l'arbre de l'essieu. Il s'ensuit que les rouleaux peuvent creuser une gorge dans l'essieu. Jusqu'à présent, la seule solution consistait à remplacer l'essieu proprement dit, démarche onéreuse pour réparer le véhicule. Les essieux usés peuvent désormais être réutilisés en installant un ensemble de réparation de roulement d'essieu.

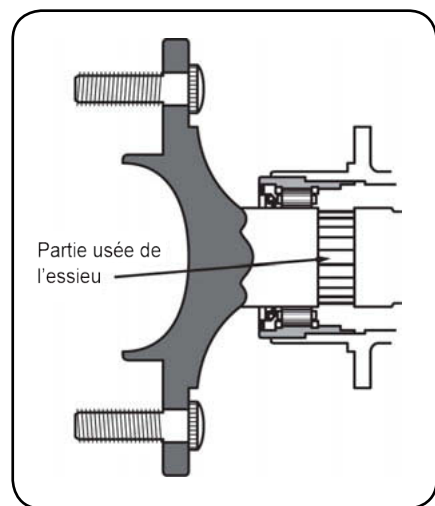
Il suffit d'installer un ensemble de réparation de roulement d'essieu neuf dans le moyeu de roue. Les rouleaux et le joint du nouvel ensemble de réparation de roulement tourneront alors sur une partie intacte de l'essieu. L'ensemble de réparation de roulement d'essieu remplace à la fois le roulement et le joint traditionnel sans exiger des pièces supplémentaires. Nous fabriquons deux types de ce roulement de réparation. Le type le plus commun est un roulement de réparation scellé simple, graissé par le différentiel. Le second type est un roulement de réparation scellé double. Ce roulement est prélubrifié pour toute sa vie utile et il n'a pas besoin de l'huile du différentiel pour fonctionner.

Six numéros de pièces seulement (R1559, R1561-F, R1561-G, R1563, R57509 et R59047) couvrent les essieux Chrysler, Ford et GM les plus répandus. Chaque ensemble de roulement de réparation est livré prêt au montage pour un service rapide et fiable. Pour plus de commodité, l'ensemble de roulement figure sur une liste de la section applications du présent catalogue. Il suffit de chercher le véhicule en questions, et l'ensemble traditionnel de joint et de roulement et l'ensemble de roulement de réparation d'essieu sont indiqués, s'il y a lieu.

N'oubliez pas de toujours vérifier la profondeur du boîtier du tube d'essieu avant le montage. Comparez cette profondeur à la largeur du roulement de réparation. Certains modèles ont un tube d'essieu rétréci qui ne permet pas d'asseoir le roulement à fond.

## Dispositif de garnissage de roulements coniques – BP270

- Le dispositif SKF permet de faire un travail professionnel
- Il permet de maintenir un environnement propre essentiel à la durée de service du roulement
- Il permet l'enlèvement complet de la graisse usée et la mise en place de la graisse neuve
- Le dispositif est doté d'économiseurs de graisse pour les roulements de plus grande taille
- Des instructions complètes sont fournies



# Index des modèles de constructeurs

Constructeur et modèle	Page	Constructeur et modèle	Page	Constructeur et modèle	Page
<b>ACURA</b>	1	<b>BMW—(Suite)</b>		<b>CADILLAC (Traction avant)—(Suite)</b>	
2.2L	1	318i	28	Eldorado (À partir de 1967)	49
2.5TL	1	318is	28	Fleetwood (À partir de 1985)	49
3.0CL	1	320i	28	Seville (À partir de 1980)	49
3.2TL	1	325	28	<b>CADILLAC (Propulsion)</b>	52
3.5RL	1	325e	28	Calais	52
Integra	1	325es	28	Commercial Chassis	52
Legend	1	325i	28	DeVil (Jusqu'à 1984)	52
NSX	1	325ic	28	Fleetwood (Jusqu'à 1984)	52
<b>ALFA ROMEO</b>	3	325is	28	Fleetwood Brougham	52
<b>AM GENERAL</b>	4	325iX	28	Limousine	52
Hummer	4	524td	28	Seville (Jusqu'à 1979)	52
Hummer H1	4	525i	28	<b>CHECKER MOTORS CORP</b>	56
<b>AMERICAN MOTORS</b>	5	528e	28	<b>CHEVROLET (Traction avant)</b>	58
Alliance (voir-Renault)	582	528i	28	Beretta	58
Ambassador	5	530i	28	Cadet	58
American	8	533i	28	Cavalier	58
AMX (1978)	10	535i	28	Celebrity	59
AMX (Jusqu'à 1974)	8	630CSi	28	Citation	59
Classic	13	633CSi	28	Corsica	58
Concord	10	635CSi	28	Lumina	59
Eagle	16	733i	28	Monte Carlo (À partir de 1995)	59
Fuego (voir-Renault)	582	735i	28	Nova (1988-1985)	61
Gremlin	10	840	28	Spectrum	61
Hornet	10	850	28	Sprint	61
Javelin	8	Bavaria	28	<b>CHEVROLET (Propulsion)</b>	63
Marlin	13	M3	28	Acadian	68
Matador	18	M5	28	Acadian Beaumont	71
Pacer	10	M6	28	Bel Air	63
Rambler	13	<b>BUICK (Traction avant)</b>	33	Berlinetta	71
Rebel	18	Century (1995-1982)	33	Biscayne	63
Rogue	13	Electra/Park Ave.	35	Brookwood	63
Spirit	10	LeSabre (À partir de 1986)	35	Camaro	71
Typhoon	13	Reatta	35	Caprice	63
<b>ASTON MARTIN</b>	20	Regal (À partir de 1988)	36	Chevelle	71
<b>AUDI</b>	20	Riviera (À partir de 1979)	35	Chevette	77
100	20	Skyhawk (À partir de 1982)	36	Chevy II	68
200	20	Skylark (À partir de 1986)	36	Concours	71
4000CS	20	Skylark (1985-1980)	33	Corsa	78
Série 5000	20	Somerset	36	Corvaire	78
80	20	<b>BUICK (Propulsion)</b>	38	Corvette	79
90	20	Apollo	43	Delray	63
A6	20	Centurion	38	Deluxe	63
Fox	20	Century (1981-1973)	45	El Camino	71
Quattro	20	Century (Jusqu'à 1958)	38	Fleetmaster	63
S4	20	Electra (Jusqu'à 1984)	38	Greenbrier	71
S6	20	Estate Wagon	38	Impala (Jusqu'à 1995)	63
Super 90	20	Gran Sport	45	Kingswood	63
<b>AUSTIN</b>	25	Invicta	38	Laguna	71
<b>AUSTIN HEALY</b>	26	LeSabre (Jusqu'à 1985)	38	Malibu (Jusqu'à 1983)	71
<b>AVANTI II</b>	27	Limited	38	Monte Carlo (Jusqu'à 1988)	71
Avanti (voir-Studebaker)	591	Regal (Jusqu'à 1987)	45	Monza	83
<b>BERTONE</b>	27	Riviera (Jusqu'à 1978)	38	Nomad	71
X1/9	27	Roadmaster	38	Nova (Jusqu'à 1979)	68
<b>BMW</b>	28	Skyhawk (Jusqu'à 1980)	43	One-Fifty	63
1600/2	28	Skylark (Jusqu'à 1979)	45	Parkwood	63
1800	28	Special (À partir de 1961)	45	Spyder	78
2000	28	Special (Jusqu'à 1960)	38	Stingray	79
2000CA	28	Sportwagon	45	Townsmen	63
2000CS	28	Wildcat	38	Two-Ten	63
2000Ti	28	<b>CADILLAC (Traction avant)</b>	49	Vega	83
2002	28	Allante	49	Z-28 (Camaro)	71
2002A	28	Cimarron	49	<b>CHEVROLET APV</b>	85
2002Ti	28	DeVil (À partir de 1985)	49	Lumina APV	85
318CM42	28	DeVil Concours	49		



# Index des modèles de constructeurs

Constructeur et modèle	Page	Constructeur et modèle	Page	Constructeur et modèle	Page
<b>CHEVROLET, CAMIONNETTE</b> .....	85	<b>DAEWOO</b> .....	181	<b>DODGE, CAMIONNETTE—(Suite)</b>	
Astro .....	85	<b>DAIHATSU</b> .....	181	Ram Wagon .....	211
Beauville .....	95	<b>DELOREAN</b> .....	181	Fourgons (modèles à propulsion toutes	
Blazer .....	100	<b>De SOTO (voir-Dodge)</b> .....	201	séries) (A100 toutes les séries B) .....	211
Caballero .....	92	<b>DODGE, TOURISME (Traction avant)</b> .....	182	AD, AW, D, P, W 100, 150,	
Caravan .....	95	400 .....	182	R1500 de 1/2 tonne .....	216
Chevy Van .....	95	600 .....	182	D, P, W 200, 250, R2500 de 3/4 tonne .....	226
El Camino (voir-Passenger RWD) .....	71	Aries .....	182	D, M, P, W 300, 350, R3500 de	
LLV (Postes) .....	91	Avenger .....	182	1 tonne .....	235
Luv .....	85	Caravan .....	193	Série 400, 500 de 1 1/2, 2 tonne .....	244
S10 .....	85	Charger (À partir de 1983) .....	188	<b>EAGLE</b> .....	247
S10 Blazer .....	85	Colt (À partir de 1979) .....	185	Medallion .....	247
Silverado 1/2 tonne .....	100	Colt Vista Wagon (Jusqu'à 1991) .....	185	Premier .....	247
Silverado 3/4 tonne .....	113	Daytona .....	182	Summit .....	248
Silverado 1 tonne .....	124	Dynasty .....	182	Talon .....	250
Sprint .....	92	Grand Caravan .....	193	Vision .....	251
Suburban 1/2 tonne .....	100	Intrepid .....	189	<b>EAGLE (Modèles canadiens)</b> .....	252
Suburban 3/4 tonne .....	113	Lancer (À partir de 1985) .....	182	2000 GTX .....	252
Tiltmaster .....	135	Mini Ram Van .....	193	Vista .....	252
Fourgons G10, G20, G30 de 1/2,		Monaco .....	190	<b>EDSEL</b> .....	254
3/4, 1 tonne .....	95	Neon .....	190	<b>FERRARI</b> .....	255
1500 (Série C), 1500 (Série K),		Omni .....	188	<b>FIAT</b> .....	255
1500 (Série R), 1500 (Série V), C10,		Rampage .....	188	<b>FORD BRITISH</b> .....	266
D10, K10, P10 de 1/2 tonne .....	100	Royal Ram Van .....	193	<b>FORD (Traction avant)</b> .....	257
2500 (Série C), 2500 (Série K),		Shadow .....	182	Aspire .....	257
2500 (Série R), 2500 (Série V),		Spirit .....	182	Contour .....	258
C20, D20, K20, P20 de 3/4 tonne .....	113	Stealth .....	191	Escort .....	258
3500 (Série C), 3500 (Série K),		Stratus .....	192	EXP .....	258
3500 (Série R), 3500 (Série V),		<b>DODGE, TOURISME (Propulsion)</b> .....	195	Festiva .....	257
C30, D30, K30, P30 de 1 tonne .....	124	Adventurer .....	201	Fiesta .....	261
Série W, Série 40, Série 50,		Aspen .....	197	Probe .....	262
Série 60, Série 70 de 1 1/2 tonne,		Challenger (Jusqu'à 1974) .....	197	Taurus .....	264
2 tonne, 2 1/2 tonne .....	135	Challenger (À partir de 1978) .....	195	Tempo .....	258
<b>CHRYSLER (Traction avant)</b> .....	167	Charger (Jusqu'à 1978) .....	201	Windstar .....	265
300 .....	168	Colt (Jusqu'à 1979) .....	195	<b>FORD (Propulsion)</b> .....	267
Cirrus .....	167	Colt Wagon (Jusqu'à 1980) .....	195	Boss .....	284
Concorde .....	168	Conquest (Jusqu'à 1986) .....	195	Cobra .....	284
E Class/New Yorker (1993-1983) .....	169	Coronet .....	201	Country Sedan .....	267
Fifth Avenue .....	169	Dart .....	197	Country Squire .....	267
Imperial .....	169	De Soto .....	201	Crown Victoria .....	267
Laser (Jusqu'à 1986) .....	169	Demon .....	197	Custom .....	267
Le Baron (À partir de 1982) .....	169	Diplomat .....	201	CustomLine .....	267
New Yorker ((À partir de 1994) .....	168	Firedome .....	201	Elite .....	273
New Yorker/E Class (1993-1983) .....	168	Fireflite .....	201	Fairlane (1970-1962) .....	273
Sebring .....	171	Firesweep .....	201	Fairlane (1961-1955) .....	267
TC .....	168	Lancer .....	197	Fairmont .....	276
Town & Country (1988-1983) .....	168	Magnum XE .....	201	Falcon .....	279
Town & Country (À partir de 1990) .....	171	Mirada .....	201	Futura .....	279
<b>CHRYSLER (Propulsion)</b> .....	172	Monaco (Jusqu'à 1978) .....	201	Galaxie .....	267
300 .....	172	Polara .....	201	Ghia (Mustang) .....	284
Conquest (À partir de 1987) .....	172	St. Regis .....	201	Grabber (Maverick) .....	276
Cordoba .....	172	Super Bee .....	201	Gran Torino (Torino) .....	273
Crown (Imperial) .....	178	Swinger .....	197	Granada .....	281
Fifth Avenue .....	172	Viper .....	206	Grande .....	284
Imperial (Jusqu'à 1983) .....	178	<b>DODGE (Modèles canadiens)</b> .....	206	GT (Fairlane) .....	273
Le Baron (Jusqu'à 1981) .....	172	Colt 100 .....	206	GTA (Fairlane) .....	273
Newport .....	172	Colt 200 .....	206	LTD (À partir de 1983) .....	281
New Yorker (Jusqu'à 1982) .....	172	<b>DODGE, CAMIONNETTE</b> .....	207	LTD (Jusqu'à 1982) .....	267
Saratoga .....	172	Dakota .....	216	LTD II .....	273
Town & Country (Jusqu'à 1982) .....	172	D-50 Pickup .....	207	Mach 1 (Mustang) .....	284
Windsor .....	172	Power Ram 50 .....	207	Maverick .....	276
<b>CHRYSLER (Modèles canadiens)</b> .....	180	Raider .....	207	Mustang .....	284
<b>CONTINENTAL, TOURISME voir</b>		Ram 50 .....	207	Mustang II .....	284
<b>Lincoln (Traction avant),</b>		Ramcharger .....	216	Pinto .....	290
<b>(Propulsion)</b> .....	424	Ram Van .....	211		

# Index des modèles de constructeurs

Constructeur et modèle	Page	Constructeur et modèle	Page	Constructeur et modèle	Page
<b>FORD (Propulsion)—(Suite)</b>		<b>HONDA, CAMIONNETTE</b>	367	<b>LINCOLN (Traction avant)</b>	424
Ranchero.....	273	<b>HUMBER</b>	368	Continental (À partir de 1988).....	424
Runabout (Pinto).....	290	<b>HYUNDAI</b>	368	<b>LINCOLN (Propulsion)</b>	424
Thunderbird.....	292	<b>IHC LIGHT, CAMIONNETTE</b>	371	Continental (Jusqu'à 1987).....	424
Torino.....	273	Metro AM 80, 85, CM 75, 80, 85,		Cosmopolitan (Lincoln).....	424
<b>FORD, CAMIONNETTE</b>	296	100, 110, 120, 130.....	374	Mark III, IV, V, VI, VII, VIII.....	424
Aerostar.....	296	Metro 700, 800, 900, 1100.....	374	Première.....	424
Bronco.....	301	Metro 1200, 1400, 1500, 1600,		Town Car.....	424
Bronco II.....	296	1700.....	374	Versailles.....	428
Club Wagon (Econoline).....	307	Pickup & Travelall 100, 150,		<b>LOTUS</b>	428
Courier.....	306	200, 500.....	378	<b>MASERATI</b>	429
Econoline.....	307	Scout 80, 800, 800A, 800B.....	371	<b>MAZDA (Traction avant)</b>	429
F250(Super Duty).....	322	Scout II.....	371	323.....	429
F350(Super Duty).....	332	Modèle 100, 110, 120, 130; 190		626.....	429
F450(Super Duty).....	340	Jusqu'à 1300, Série		GLC.....	429
F550(Super Duty).....	340	A-B-C-D-L-R-S 1/2 -1 tonne.....	374	MX-3.....	429
Ranger.....	296	<b>INFINITI (Traction avant)</b>	386	MX-6.....	429
Fourgons de 1/2, 3/4, 1 tonne.....	307	<b>INFINITI (Propulsion)</b>	387	Millenia.....	429
Série F100, F150, P100, F1 de		<b>ISUZU</b>	388	Protege.....	429
1/2 tonne.....	313	I-Mark.....	388	<b>MAZDA (Propulsion)</b>	432
Série F250, D, F2 de 3/4 tonne.....	322	Impulse.....	388	616.....	432
Série F350 & Super Duty, F53,		Stylus.....	388	618.....	432
F59, P350, P3500; F3,		<b>ISUZU, CAMIONNETTE</b>	390	626.....	432
Série P3 de 1 tonne.....	332	Amigo.....	390	808.....	432
Série 500, 550, 600, 700, 800 de		EVR.....	395	929.....	432
1 1/2, 2 1/2 tonne.....	340	FFR.....	395	Cosmo.....	432
<b>FUSO, CAMIONNETTE</b>	354	FSR.....	395	GLC.....	432
<b>GEO</b>	355	FTR.....	395	Mizer.....	432
Metro.....	355	FVR.....	395	MX-5.....	432
Prizm.....	355	NNR.....	395	R100.....	432
Spectrum.....	355	Pickup.....	390	RX2.....	432
Storm.....	355	Rodeo.....	390	RX3.....	432
Sunfire.....	355	Trooper.....	390	RX7.....	432
Tracker.....	357	Trooper II.....	390	<b>MONOSPACE MAZDA</b>	436
<b>GMC, CAMIONNETTE</b>	85	<b>IVECO, CAMIONNETTE</b>	395	<b>MAZDA, CAMIONNETTE</b>	437
Caballero.....	92	<b>JAGUAR</b>	396	B1600.....	437
Gauche.....	95	<b>JEEP</b>	398	B1800.....	437
Jimmy.....	100	Cherokee.....	405	B2000.....	437
Rally.....	124	Chief.....	405	B2200.....	437
Safari.....	85	Comanche.....	405	B2300.....	437
Sierra 1/2 tonne.....	100	Commando (Jeep CJ, DJ).....	398	B2500.....	437
Sierra 3/4 tonne.....	113	Grand Cherokee.....	405	B2600.....	437
Sierra 1 tonne.....	124	Grand Wagoneer.....	413	B3000.....	437
Sprint.....	92	Jeepsters VJ.....	398	B4000.....	437
Suburban.....	100	Laredo.....	405	Navajo.....	437
S15.....	85	Pioneer.....	405	Rotary Pickup.....	437
S15 Jimmy.....	85	Renegade (Jeep CJ).....	398	<b>MERCEDES BENZ</b>	440
Transmode.....	135	Scrambler (Jeep CJ).....	398	<b>MERCURY (Traction avant)</b>	443
Yukon XL.....	113	Sedan Delivery.....	405	Capri (À partir de 1991).....	443
Série G15, G25, G35, Vandura de		Station Wagon.....	405	LN7.....	444
1/2, 3/4, 1 tonne.....	95	Camionnette-Gladiator, FC150,		Lynx.....	444
1500 (Série C), 1500 (Série K),		FC170, Série J, 4-73, 4-73HT,		Mystique.....	446
1500 (Série R), 1500 (Série V),		4-75, 475, 6-226.....	413	Sable.....	446
C15, D15, K15 de 1/2 tonne.....	100	Wagoneer.....	405	Topaz.....	444
2500 (Série C), 2500 (Série K),		Wrangler.....	398	Tracer.....	447
2500 (Série R), 2500 (Série V),		<b>KIA</b>	419	Villager.....	449
C25, K25, P25 de 3/4 tonne.....	113	Sephia.....	419	<b>MERCURY (Propulsion)</b>	450
3500 (Série C), 3500 (Série K),		<b>KIA, CAMIONNETTE</b>	420	Bobcat.....	456
3500 (Série R), 3500 (Série V),		Sportage.....	420	Caliente (Comet).....	460
C35, D35, K35, P35 de 1 tonne.....	124	<b>LADA (modèles canadiens)</b>	421	Capri (Jusqu'à 1986).....	457
Série 4500, 5500, 6500, 7500 de		<b>LADA, CAMIONNETTE (modèles</b>		Capri II.....	457
1 tonne.....	135	canadiens).....	421	Comet.....	460
<b>HILLMAN</b>	358	<b>LANCIA</b>	421	Cougar.....	465
<b>HINO, CAMIONNETTE</b>	359	<b>LEXUS (Traction avant)</b>	422	Cyclone (Comet).....	460
<b>HONDA</b>	359	<b>LEXUS (Propulsion)</b>	423	Eliminator (Cougar).....	465

# Index des modèles de constructeurs

Constructeur et modèle	Page	Constructeur et modèle	Page	Constructeur et modèle	Page
<b>MERCURY (Propulsion)—(Suite)</b>		<b>NISSAN, TOURISME (Propulsion)—(Suite)</b>		<b>PLYMOUTH (Traction avant)—(Suite)</b>	
Four-O-Four (Comet).....	460	710.....	493	Grand Voyager (1995-1984).....	536
Grand Marquis .....	450	810.....	493	Horizon.....	530
GT (Comet).....	460	B210.....	493	Laser.....	534
Marauder .....	450	Maxima.....	493	Neon.....	535
Marquis (À partir de 1983).....	469	SPL310.....	493	Reliant.....	530
Marquis (Jusqu'à 1982).....	450	SPL311.....	493	Sundance.....	530
Meteor.....	471	SRL311.....	493	TC3 (Horizon).....	530
Monarch.....	469	<b>NISSAN AXCESS/QUEST</b> .....	500	Turismo (Horizon).....	530
Montclair .....	450	<b>NISSAN (Modèles canadiens)</b> .....	501	Voyager (1995-1984).....	536
Montego (Jusqu'à 1976).....	473	Micra.....	501	<b>PLYMOUTH (Propulsion)</b> .....	538
Monterey .....	450	Multi Wagon.....	501	Arrow.....	538
MX (Montego).....	473	<b>NISSAN, CAMIONNETTE</b> .....	503	Barracuda.....	540
Parklane .....	450	520.....	503	Belvedere.....	543
Spoiler (Comet).....	460	521.....	503	Caravelle.....	543
S-22 (Comet).....	460	620.....	503	Cricket.....	538
S-33 (Meteor).....	471	720.....	503	Cuda (Valiant).....	540
S-55.....	450	Pathfinder.....	503	Duster.....	540
Turnpike Cruiser.....	450	Pickup.....	503	Fury.....	543
XR-7 (Cougar).....	465	Van.....	503	Gran Coupe (Valiant).....	540
Zephyr.....	460	<b>OLDSMOBILE (Traction avant)</b> .....	507	Gran Fury.....	543
<b>MERKUR</b> .....	475	98 Regency (À partir de 1985).....	511	Gran Fury Salon.....	543
Scorpio.....	475	Achieva.....	507	Road Runner (Satellite).....	543
XR4Ti.....	475	Aurora.....	509	Sapporo.....	538
<b>METROPOLITAN</b> .....	476	Calais.....	507	Satellite.....	543
<b>MG</b> .....	477	Ciera.....	510	Scamp.....	540
<b>MITSUBISHI (Traction avant)</b> .....	478	Cutlass (À partir de 1988).....	507	Signet (Valiant).....	540
3000GT.....	478	Cutlass Ciera.....	510	Valiant.....	540
Cordia.....	478	Delta 88 (À partir de 1986).....	511	Volare.....	540
Eclipse.....	478	Firenza.....	507	V-100 (Valiant).....	540
Galant.....	478	Omega (À partir de 1980).....	510	V-200 (Valiant).....	540
Mirage.....	478	Toronado.....	511	<b>PLYMOUTH, CAMIONNETTE</b> .....	548
Precis.....	478	Trofeo.....	511	Arrow Pickup.....	548
Tredia.....	478	<b>OLDSMOBILE (Propulsion)</b> .....	513	Trailduster.....	549
<b>MITSUBISHI (Propulsion)</b> .....	483	4-4-2.....	513	Voyager (Jusqu'à 1983).....	551
Starion.....	483	88 (Jusqu'à 1985).....	513	<b>PONTIAC (Traction avant)</b> .....	553
Van/Wagon.....	483	98 (Jusqu'à 1984).....	513	6000.....	557
<b>MITSUBISHI EXPO/EXPO-LRV</b> .....	484	Custom Cruiser.....	513	Bonneville (À partir de 1987).....	553
<b>MITSUBISHI, CAMIONNETTE</b> .....	485	Cutlass (Jusqu'à 1987).....	519	Grand Am (À partir de 1985).....	554
Montero.....	485	Cutlass Wagon (Jusqu'à 1987).....	519	Grand Prix (À partir de 1988).....	554
Pickup.....	485	Delta 88 (Jusqu'à 1985).....	513	J2000.....	554
<b>MORRIS</b> .....	488	F-85.....	519	LeMans (À partir de 1988).....	556
<b>NISSAN, TOURISME (Traction avant)</b> .....	488	Jetstar.....	513	Phoenix (À partir de 1980).....	557
200SX.....	488	Omega (Jusqu'à 1979).....	523	Sunbird (À partir de 1982).....	554
310.....	488	Starfire (Jusqu'à 1966).....	513	Sunfire.....	554
Altima.....	488	Starfire (À partir de 1975).....	523	<b>PONTIAC (Propulsion)</b> .....	558
F10.....	488	Vista Cruiser.....	519	Astre.....	558
Maxima.....	488	<b>OLDSMOBILE APV</b> .....	525	Bonneville (Jusqu'à 1986).....	561
Pulsar.....	488	Silhouette.....	525	Catalina.....	561
Sentra.....	488	<b>OLDSMOBILE, CAMIONNETTE</b> .....	526	Chieftan.....	561
Stanza.....	488	Bravada.....	526	Espirit (Tempest).....	567
<b>NISSAN, TOURISME (Propulsion)</b> .....	493	<b>OPEL</b> .....	527	Executive.....	561
1600.....	493	<b>PEUGEOT</b> .....	528	Fiero.....	574
2000.....	493	304.....	528	Firebird.....	567
200SX.....	493	403.....	528	Formula 350, 400 (Tempest).....	567
240SX, Z.....	493	404.....	528	Grand Am (1980-1973).....	567
260Z.....	493	405.....	528	Grand Prix (Jusqu'à 1987).....	561
280Z, ZX.....	493	504.....	528	Grand Ville.....	561
300ZX.....	493	505.....	528	GTO (Tempest).....	567
312.....	493	604.....	528	Judge (Tempest).....	567
410.....	493	<b>PLYMOUTH (Traction avant)</b> .....	530	LeMans (Jusqu'à 1981).....	567
411.....	493	Acclaim.....	530	Parisienne.....	561
510.....	493	Caravelle (À partir de 1985).....	530	Phoenix (Jusqu'à 1979).....	558
610.....	493	Champ.....	532	Safari.....	561
		Colt Vista (À partir de 1992).....	533	Sprint.....	567

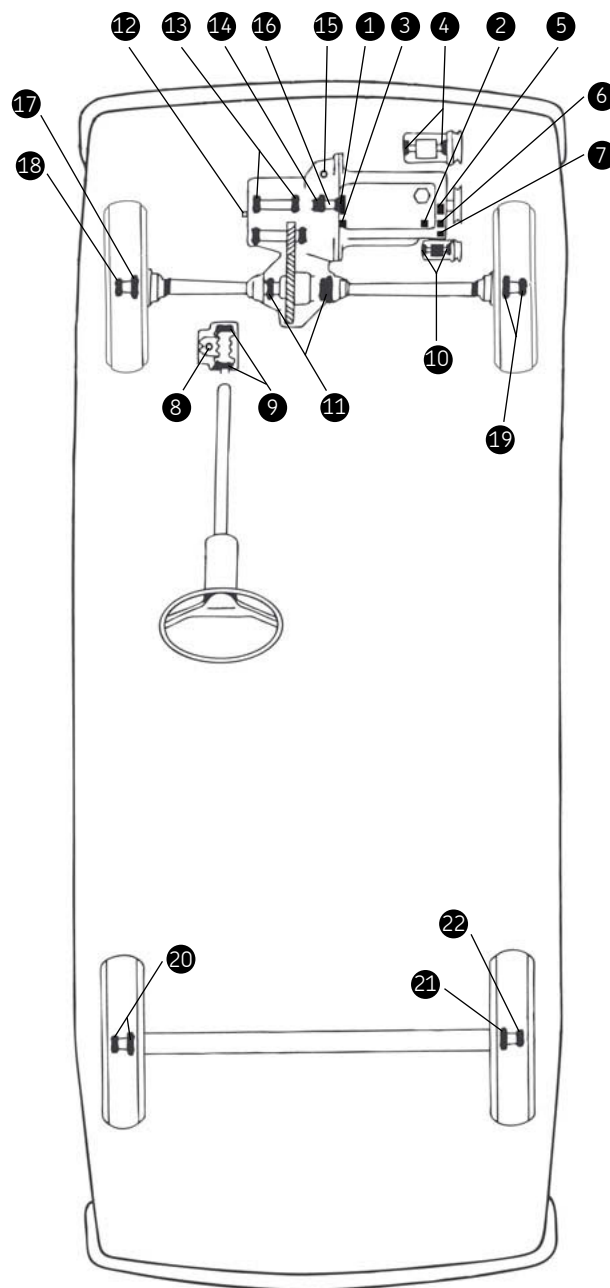
# Index des modèles de constructeurs

Constructeur et modèle	Page	Constructeur et modèle	Page	Constructeur et modèle	Page
<b>PONTIAC (Propulsion)—(Suite)</b>		<b>SUBARU—(Suite)</b>		<b>VOLVO—(Suite)</b>	
Star Chief .....	561	Loyale .....	596	Série 780.....	634
Sunbird (Jusqu'à 1980).....	558	SVX .....	596	Série 850.....	634
Super Chief .....	561	XT6 .....	596	Série 940.....	634
Tempest.....	567	<b>SUNBEAM</b> .....	599	Série 960.....	634
Trans Am.....	567	<b>SUZUKI</b> .....	600	DL .....	634
T1000.....	575	Esteem .....	600	GL.....	634
T-37 (LeMans).....	567	Samurai .....	600	GLE.....	634
Ventura II .....	558	Sidekick.....	600	GLT.....	634
<b>PONTIAC APV</b> .....	576	Swift .....	600	P110.....	634
Trans Sport.....	576	<b>TOYOTA, TOURISME (Traction avant)</b> .....	602	P120.....	634
<b>PONTIAC (Modèles canadiens)</b> .....	577	Avalon.....	602	P130.....	634
Asuna .....	577	Camry.....	602	P220.....	634
Firefly.....	577	Celica .....	602	<b>WOLSELEY</b> .....	640
Optima.....	577	Corolla .....	602	<b>YUGO</b> .....	640
Sunburst.....	577	Paseo.....	602		
Sunfire.....	577	Tercel .....	602		
<b>PONTIAC, CAMIONNETTE</b>		<b>TOYOTA, TOURISME (Propulsion)</b> .....	608		
<b>(Modèles canadiens)</b> .....	579	Carina .....	608		
<b>PORSCHE</b> .....	580	Celica .....	608		
911 .....	580	Corolla .....	608		
912 .....	580	Corona.....	608		
914 .....	580	Cressida.....	608		
914/4 .....	580	Crown.....	608		
914/6 .....	580	MR2.....	608		
915/6 .....	580	Starlet.....	608		
924 .....	580	Supra.....	608		
928.....	580	<b>TOYOTA, CAMIONNETTE</b> .....	617		
928GTS.....	580	4Runner.....	617		
944 .....	580	Hi Lux.....	617		
956A, B, C .....	580	Land Cruiser.....	617		
968.....	580	Pickup.....	617		
<b>PUMA (Modèles canadiens)</b> .....	582	T100.....	617		
<b>RENAULT</b> .....	582	Tacoma.....	617		
<b>RILEY</b> .....	584	Van.....	617		
<b>ROLLS ROYCE</b> .....	585	<b>TOYOTA PREVIA</b> .....	616		
<b>ROVER</b> .....	585	<b>TRIUMPH</b> .....	625		
2000.....	585	<b>VAUXHALL</b> .....	628		
2200.....	585	<b>VOLKSWAGEN</b> .....	628		
3500.....	585	Beetle .....	628		
Defender .....	585	Cabrio .....	628		
Discovery .....	585	Cabriolet.....	628		
Land Rover .....	585	Corrado .....	628		
Range Rover.....	585	Dasher.....	628		
<b>SAAB</b> .....	587	EuroVan.....	628		
900.....	587	Fox .....	628		
9000.....	587	Golf .....	628		
95 .....	587	Jetta.....	628		
96 .....	587	Quantum.....	628		
97 .....	587	Rabbit.....	628		
99 .....	587	Scirocco.....	628		
<b>SATURN</b> .....	589	Type I.....	628		
Série S.....	589	Type II.....	628		
<b>SIMCA</b> .....	589	Type III.....	628		
<b>SINGER</b> .....	590	Type IV.....	628		
<b>SKODA (Modèles canadiens)</b> .....	590	Vanagon .....	628		
<b>STERLING</b> .....	590	Vanagon Syncro.....	628		
<b>STUDEBAKER, TOURISME</b> .....	591	<b>VOLVO</b> .....	634		
<b>STUDEBAKER, CAMIONNETTE</b> .....	593	Série 140.....	634		
<b>SUBARU</b> .....	596	164 .....	634		
1600.....	596	1800.....	634		
1800.....	596	Série 240.....	634		
Impreza .....	596	Série 260.....	634		
Justy.....	596	Série 740.....	634		
Legacy.....	596	Série 760.....	634		

# Emplacements des joints et roulements (automobile à traction avant)

	Joint	Roulement
<b>Moteur</b>		
① Vilebrequin arrière *	X	
② Vilebrequin avant *	X	
③ Arbre à cames arrière *	X	
④ Alternateur		X
⑤ Couvercle de courroie de distribution *	X	
⑥ Arbre intermédiaire *	X	
⑦ Auxiliaire *	X	
<b>Direction</b>		
⑧ Bras Pitman	X	
⑨ Boîtier (Vis)	X	
⑩ Axe de pompe (direction assistée)	X	
<b>Boîte-pont</b>		
⑪ Sortie (G. ou D.) *	X	X
⑫ Arbre de changement de vitesse *	X	
⑬ Arbre d'entrée (Avant)		X
⑭ Déclencheur d'accouplement		X
⑮ Fourchette d'embrayage	X	
⑯ Palier-guide d'embrayage		X
<b>Roue</b>		
⑰ Avant intérieur	X	X
⑱ Avant extérieur	X	X
⑲ Avant avec roulement scellé		Unitisé
⑳ Arrière avec roulement scellé		Unitisé
㉑ Arrière intérieur	X	
㉒ Arrière extérieur	X	X

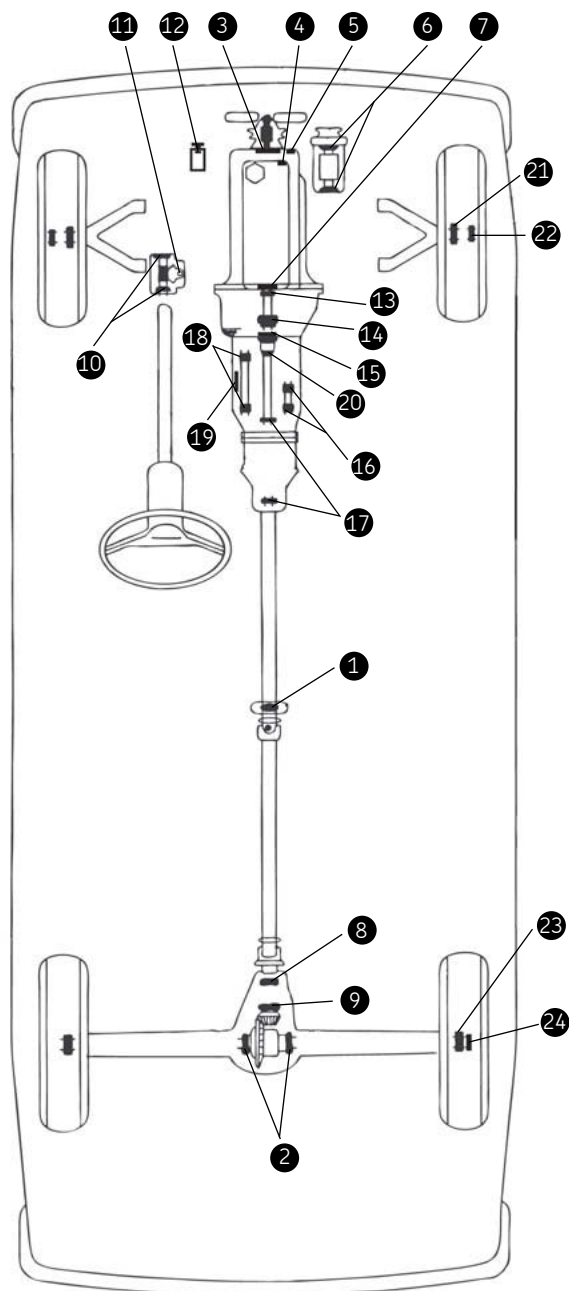
\*Utilise SPEEDI-SLEEVE à cet endroit



# Emplacements des joints et roulements (automobile à propulsion et camion à deux roues motrices)

	Joint	Roulement
<b>Différentiel</b>		
① Support d'arbre de transmission		X
② Droite ou gauche		X
<b>Moteur</b>		
③ Couvercle de courroie de distribution*	X	
④ Arbre à cames*	X	
⑤ Arbre intermédiaire*	X	
⑥ Alternateur		X
⑦ Vilebrequin arrière*	X	
<b>Pignon (Essieu arrière)</b>		
⑧ Avant*	X	X
⑨ Arrière		X
<b>Direction</b>		
⑩ Boîtier (Vis)	X	
⑪ Bras Pitman	X	
⑫ Axe de pompe (direction assistée)	X	
<b>Boîte de vitesses</b>		
⑬ Palier-guide d'embrayage		X
⑭ Déclencheur d'accouplement		X
⑮ Avant*	X	X
⑯ Arbre de marche arrière		X
⑰ Arrière*	X	X
⑱ Arbre intermédiaire		X
⑲ Arbre de changement de vitesse*	X	
⑳ Palier-guide d'arbre secondaire		X
<b>Roue</b>		
㉑ Avant intérieure	X	X
㉒ Avant extérieure		X
㉓ Arrière intérieure	X	X
㉔ Arrière extérieure		X

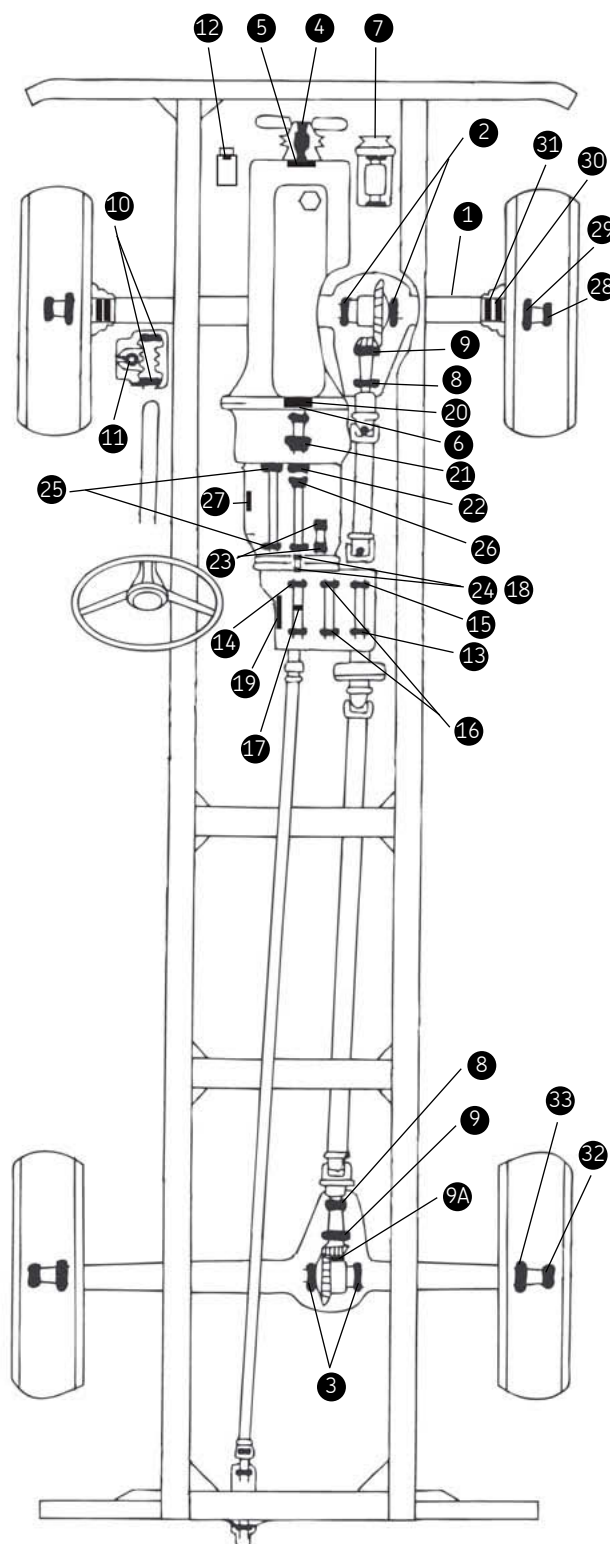
\*Utilise SPEEDI-SLEEVE à cet endroit



# Emplacements des joints et roulements (automobile à propulsion et camionnette traction intégrale)

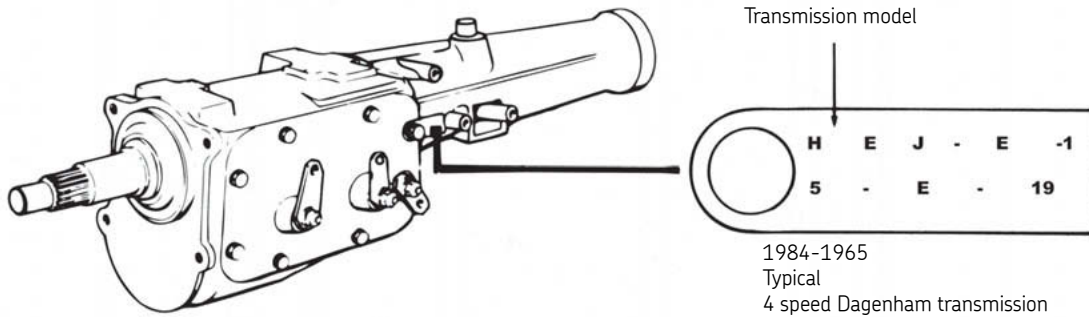
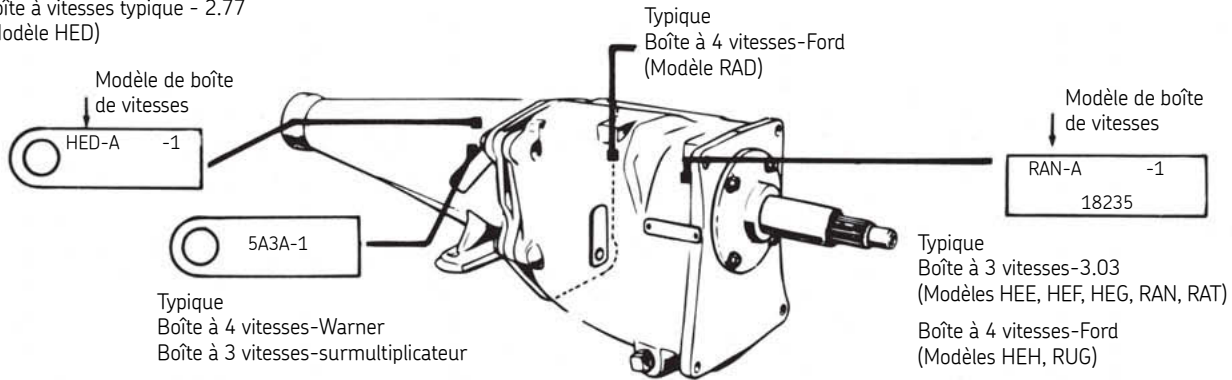
	Joint	Roulement
<b>Essieu</b>		
① Avant (G. ou D.)	X	
<b>Différentiel</b>		
② Avant (G. ou D.)		X
③ Arrière (G. ou D.)		X
<b>Moteur</b>		
④ Ventilateur (Pompe à eau)		X
⑤ Couvercle de courroie de distribution*	X	
⑥ Vilebrequin*	X	
⑦ Alternateur		X
<b>Pignon (Transmission de l'avant à l'arrière)</b>		
⑧ Avant*	X	X
⑨ Arrière		X
9A Palier-guide		
<b>Direction</b>		
⑩ Boîtier (Vis)	X	
⑪ Pitman	X	
⑫ Pompe	X	
<b>Boîte de transfert</b>		
⑬ Sortie arrière*	X	X
⑭ Entrée*	X	X
⑮ Sortie avant*	X	X
⑯ Arbre de pignon intermédiaire		X
⑰ Palier-guide d'arbre secondaire		X
⑱ Adaptateur de montage*	X	
⑲ Arbre de changement de vitesse*	X	
<b>Boîte de vitesses</b>		
⑳ Palier-guide d'embrayage		X
㉑ Déclencheur d'accouplement		X
㉒ Avant*	X	
㉓ Arbre de marche arrière		X
㉔ Arrière*	X	X
㉕ Arbre intermédiaire		X
㉖ Palier-guide d'arbre secondaire		X
㉗ Arbre de changement de vitesse*	X	
<b>Roue</b>		
㉘ Moyeu avant extérieure	X	X
㉙ Moyeu avant intérieure	X	X
㉚ Fusée avant extérieure	X	
㉛ Fusée avant intérieure	X	
㉜ Arrière extérieure		X
㉝ Arrière intérieure	X	X

\*Utilise SPEEDI-SLEEVE à cet endroit



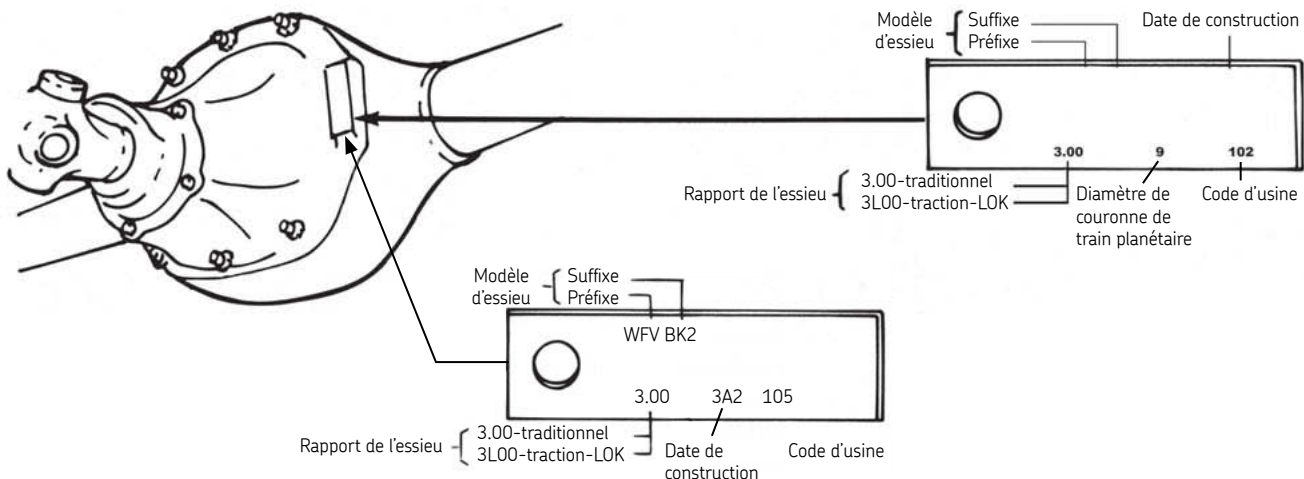
# Identification de boîte de vitesses manuelles/boîtes-ponts Ford/Lincoln/Mercury 1955 à 1973

Boîte à vitesses typique - 2.77  
(Modèle HED)



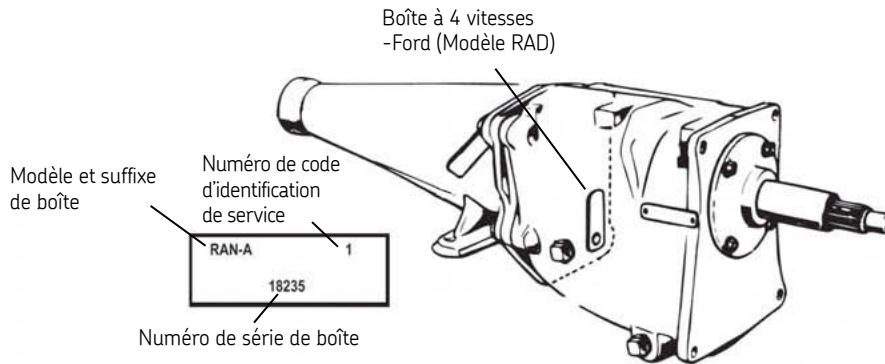
## Étiquette d'identification de modèle d'essieu arrière Ford/Lincoln/Mercury

Pour déterminer le bon roulement ou joint à utiliser sur certains produits de la Ford Motor Co, (applications d'essieu arrière et pignon), il faut connaître le modèle de l'essieu. Ce renseignement concernant le modèle d'essieu figure sur une étiquette située sur l'essieu arrière comme cela est illustré ci-dessus.



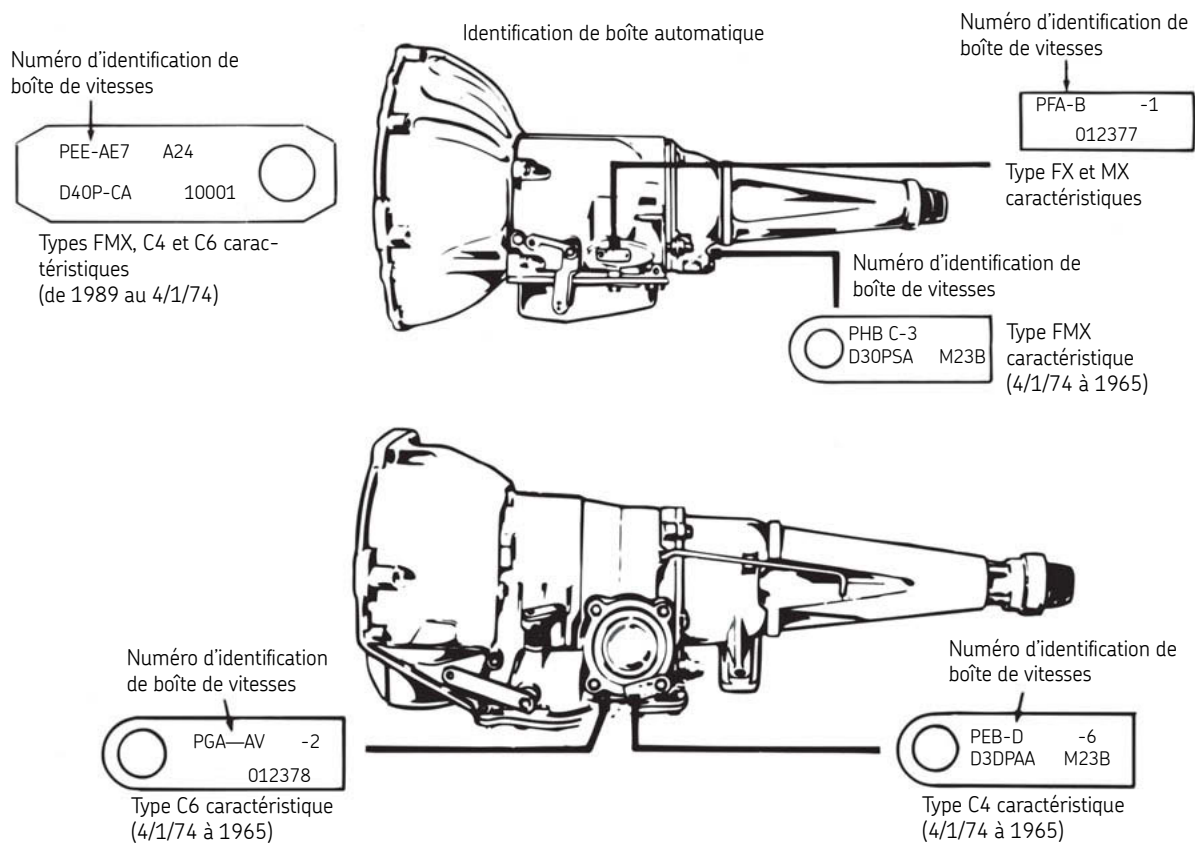


# Identification de boîte de vitesses manuelles/boîtes-ponts Ford/Lincoln/Mercury 1995 à 1973

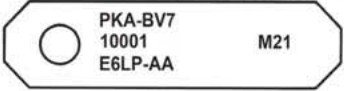
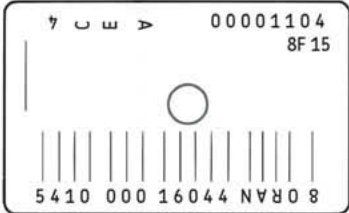
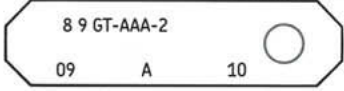
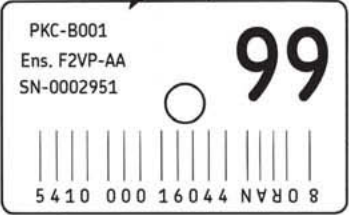
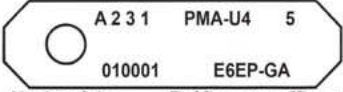


Boîte à 3 vitesses – 3.03 (Modèles RAN, RAT)  
Boîte à 4 vitesses – Ford (Model RUG)




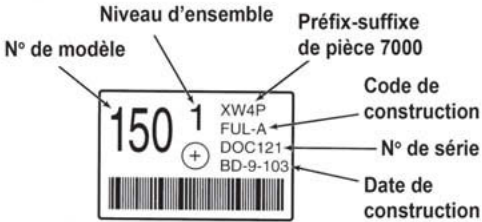
# Identification de boîte automatique Ford/Lincoln/Mercury 1990 à 1965



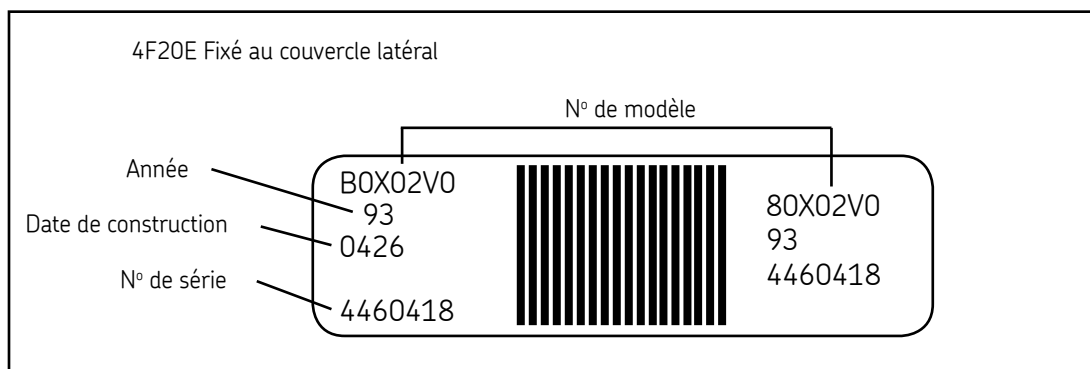
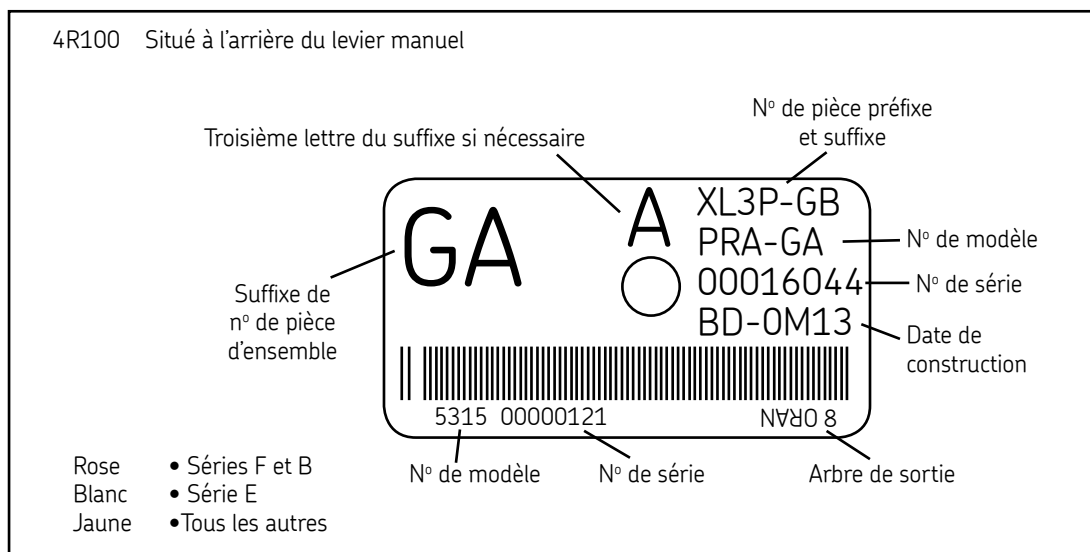
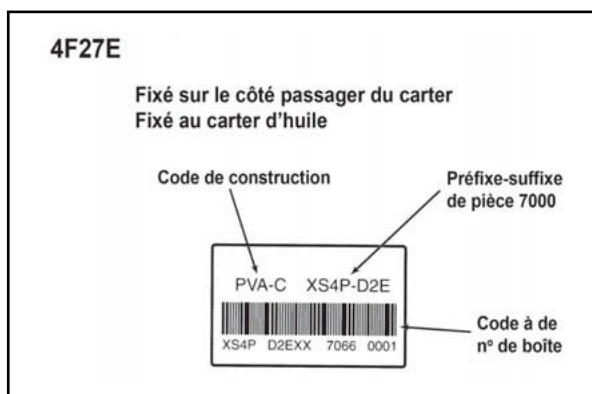
# Identification des boîtes de vitesses automatiques/ boîtes-ponts Ford/Lincoln/Mercury 1995 à 1991

<p><b>AOD situé sous le boulon de rallonge</b></p> <p>Modèle de boîte de vitesses      Code de date de construction</p>  <p>Préfixe et suffixe de n° de pièce d'ensemble      N° de série</p>	<p><b>AXOD-AXODE</b> situé derrière le levier manuel</p> <p>Mode de boîte de vitesses</p>  <p>N° de série</p> <p>Date de construction</p>
<p><b>A4LD situé sous le boulon de rallonge</b></p> <p>Modèle de boîte de vitesses      Code de quart de chaîne de montage</p>  <p>Code de date de construction      Année      Mois      Jour</p>	<p><b>AODE</b> Fixé sur le côté du carter</p> <p>Numéro d'étiquette      Année de construction</p>  <p>Date de construction</p>
<p><b>ATX situé sous le boulon de carter de boîtier de soupapes</b></p>  <p>N° de série      Préfixe et suffixe de n° de pièce d'ensemble</p>	

# Identification des boîtes de vitesses automatiques/ boîtes-ponts Ford/Lincoln/Mercury 1995 à 1991

<p><b>4EAT</b></p> <p>Situé sur la boîte-pont</p>  <p>XSAFU660 J13267X1K02N  <b>TH</b>          FU60•B458•FU63          FO30•FU63•FU64          FU60•BU64•FU01          FU60•FU64•FU60</p>	<p><b>IF4E</b></p> <p>Situé sur le haut du carter de boîte-pont</p>  <p>★SPFA020 E90507★SE25N  <b>TV</b>          FU65.BTAA.FW30          FA13.FU63.FU64          FU60.FA01.FU01          FU60.FU6J.FW35</p>
<p><b>F4E-III</b></p> <p>Situé sur le haut du carter de boîte de vitesses</p>  <p>★SPFB030 E90507★5E25N  <b>TC</b>          FU65.BTAA.FW30          FA13.FU63.FU64          FU60.FA01.FU01          FU60.FU6J.FW35</p>	<p><b>5R55N</b></p> <p>Fixé sur le côté passager du carter</p>  <p>Niveau d'ensemble          N° de modèle          Préfix-suffixe de pièce 7000          Code de construction          N° de série          Date de construction</p> <p>150 1          XW4P          FUL-A          DOC121          BD-9-103</p>

# Identification des boîtes de vitesses automatiques/ boîtes-ponts Ford/Lincoln/Mercury 1995 à 1991



# Codes de moteurs de voitures de tourisme Ford

2008 à 1981 — le 8<sup>e</sup> chiffre du numéro d'identification de véhicule identifie le moteur

1980 à 1973 — le 5<sup>e</sup> chiffre du numéro d'identification de véhicule identifie le moteur

Pour convertir les litres en pouces cubes, multipliez par 61,0250

Code	Année	(Moteur) Cyl.	(Moteur) Cylindrée unitaire	Carb.	Notes
A	1999-2006	8			3,9 - MFI (DOHC) (LS8)
A	1993-1997	4	122		2,0 - MFI (Mazda)
A	1980-1990	4	140		2,3 - OHC - EFI
A	1973-1978	8	460	4/B	Sauf voiture de police - 7500 cc. ou 7,5
B	1993-1997	6	153		2,5 - MFI (Mazda)
B	1980-1982	6	200	1/B	3,3
C	1995-1996	8	351		5,8 - MFI - Mustang Cobra R
C	1990-1992	4	133		2,2 - EFI (Probe exclusivement) (SOHC)
C	1989-1992	4	133		2,2 - EFI (Probe exclusivement) (SOHC)
C	1989	6	232		3,8 - EFI - SC
C	1980	6	250	1/B	4,1
C	1973-1978	8	460	4/B	Voiture de police - 7500 cc. ou 7,5
D	1993-1995	8	302		5,0 - MFI/Mustang, GT plus Cobra
D	1986-1990	4	153		2,5 - CFI
D	1983	4	140		2,3 - EFI (Turbo)
D	1980-1982	8	255	2/B	4,2
E	1993	8	302		5,0 - MFI - HO Mustang, Mark VII (Ford) (OHV)
E	1990-1992	8	302		5,0 - MFI - HO Mustang, Mark VII (Ford) (OHV)
E	1987-1989	8	302		5,0 - MFI - HO Mustang, Mark VII (Ford) (OHV)
F	1990-1991	8	302		5,0 - CFI - EFI (Ford) (OHV)
F	1980-1989	8	302		5,0 - OHC - EFI
F	1973-1979	8	302	2/B	5000 ou 5,0
G	1998-2000	6	155		2,5 - DOHC - Moteur utilisé exclusivement sur la Contour SVT et la Cougar S/ST200
G	1990-1991	8	351	2/B	5,8 VV (Ford) - HO (OHV)
G	1980-1989	8	351	2/B	5,8 - HO
H	2006-2008	8	281		4,6L - SOHC 24 soupapes
H	2000	8			5,4 - MFI - Moteur utilisé sur la Mustang Cobra R
H	1993-1998	4	79	2V	1,3 - MFI (Mazda) (SOHC) (Festiva)
H	1990-1992	4	79		1,3 - EFI (Mazda) (SOHC)
H	1989	4	79		1,3 - EFI (Mazda)
H	1984-1987	4	122		2,0 - Diesel - Toyo Kogyo
H	1973-1979	8	351	2/B	5800 ou 5,8
J	1993-1996	4	116		1,9 - CVH - SEFI (Escort/Tracer)
J	1990-1992	4	116		1,9 - SEFI (Ford)
J	1985-1989	4	116		1,9 - EFI
K	1994-1995	4	116		1,9 - HO - CVH - SEFI (FOM)
K	1988-1989	4	79	2V	1,3 - Mazda
L	1995-2002	6	155		2,5 - MFI (DOHC)
L	1993	4	133		2,2 - MFI/TC (SOHC)
L	1990-1992	4	133		2,2 - EFI/TC (SOHC)
L	1989	4	133		2,2 - EFI/TC
L	1984-1985		146		2,4 - Diesel - Turbo
L	1973-1979	6	250	1/B	4100 ou 4,1
M	1993	4	140		2,3 - MFI (SOHC)
M	1991-1992	4	140		2,3 - EFI (SOHC)
M	1987	8	302		5,0 - CFI - HO, Mark VII LCS exclusivement
M	1984-1986	8	302	4/B	5,0 - CFI - HO

# Codes de moteurs de voitures de tourisme Ford

2008 à 1981 — le 8<sup>e</sup> chiffre du numéro d'identification de véhicule identifie le moteur  
 1980 à 1973 — le 5<sup>e</sup> chiffre du numéro d'identification de véhicule identifie le moteur

Pour convertir les litres en pouces cubes, multipliez par 61,0250

Code	Année	(Moteur) Cyl.	(Moteur) Cylindrée unitaire	Carb.	Notes
N	2006-2008	4	121		2,0L - Duratec 20 16V DOHC
N	1996-2000	8	207		3,4 - MFI - SHO (DOHC)
N	1993	6	195		3,2 - (DOHC) - A/T
N	1990-1991	4	153		2,5 - EFI (OHV)
N	1973	8	429	4/B	
O	1980				D.S.O. Moteurs à gaz
P	1997-2005	4	122		2,0 - MFI (SOHC) S.P.I.
P	1993-1995	6	195		3,2 - SHO (DOHC)
Q	1973-1974	8	351	4/B	GT
R	2002-2005	8	281		4,6 - DOHC Ram Air-moteur utilisé pour la Mustang Mach I
R	1993-1995	6	232		3,8 Super Coupé/XR7
R	1990-1992	6	232		3,8 Super Coupé/XR7 (OHV)
R	1989-1990	4	134		2,2 - EFI (Turbo) (Probe)
R	1989	6	232		3,8 - EFI - SC
R	1986-1987	4	140	1/B	2,3 - Canada seulement
R	1983-1985	4	140		2,3 - HSC
R	1973	8	351	4/B	Grand rendement
S	2006-2008	8	330		5,4L - DOHC 32 soupapes suralimentées turbo
S	1996-2005	6	182		3,0 - MFI (DOHC)
S	2000	6		24V	3,0 - MFI (DOHC) (LS6)
S	1990-1991	4	140		2,3 - HSC - HO - CFI (OHV)
S	1985-1989	4	140		2,3 - HSC - HO - CFI, EFI
S	1973-1979	8	400	2/B	6600 ou 6,6
T	1993-1995	8	302		5,0 - MFI (OHV)
T	1991-1992	8	302		5,0 - EFI (OHV)
T	1981-1989	4	140		2,3 - EFI - (Turbo I/C)
T	1973-1979	6	200	1/B	3300 ou 3,3
U	1993-2007	6	182		3,0 - MFI
U	1986-1992	6	183		3,0 - EFI
V	2006-2007	8	281		4,6L - SOHC pluricarburant
V	1993-2007	8	281		4,6 - MFI (DOHC)
V	1988-1990	6	177		2,9 - Allemagne
W	2008	6	213		3,5L - DOHC 24 soupapes
W	1993-2008	8	281		4,6 - MFI (SOHC) - Usine de moteurs de Romeo
W	1991-1992	8	280		4,6 - EFI (SOHC)
W	1983-1989	4	140		2,3 - EFI (Turbo)
W	1979	4	139	2/B	2300 ou 2,3 (Suralimenté par turbo)
W	1973	4	98	1/B	1600 ou 1,6
X	1996-2005	8	281		4,6 - MFI (SOHC) Moteur utilisé pour la Mustang GT-Usine de moteurs de Windsor
X	1993-1995	4	141		2,3 - MFI (OHV)
X	1990-1992	4	140		2,3 - HSC - CFI - EFI (OHV)
X	1985-1989	4	140		2,3 - HSC - CFI - EFI
X	1983	6	200		3,3
X	1973-1974	4	122	2/B	2000 ou 2,0
Y	2002-2005	8	281		4,6 - DOHC SC-moteur utilisé seulement pour le Mustang Cobra
Y	1993-1995	6	182		3,0 - SHO (Yamaha) - MFI (DOHC)
Y	1990-1992	6	183		3,0 - SHO (Yamaha) - EFI (DOHC) - M/T
Y	1989	6	182		3,0 - SHO (Yamaha) - EFI

# Codes de moteurs de voitures de tourisme Ford

2008 à 1981 — le 8<sup>e</sup> chiffre du numéro d'identification de véhicule identifie le moteur

1980 à 1973 — le 5<sup>e</sup> chiffre du numéro d'identification de véhicule identifie le moteur

Pour convertir les litres en pouces cubes, multipliez par 61,0250

Code	Année	(Moteur) Cyl.	(Moteur) Cylindrée unitaire	Carb.	Notes
Y	1974-1979	4	140	2/B	2300 ou 2,3 (sans Turbo)
Z	2007-2008	4	138		2,3L - DOHC 24 soupapes
Z	2006-2007	4	140		2,0L - Duratec 23 16V DOHC
Z	1996-2000	4	121		2,0 - MFI (DOHC) GFP
Z	1993-1995	4	98		1,6 - MFI - (Mazda) (DOHC) (Capri)
Z	1991-1992	4	98		1,6 - EFI (Mazda) (DOHC)
Z	1974-1979	6	171	2/B	2800 ou 2,8
1	2008	6	183		3.0L - DOHC
1	1993-2000	6	182		3,0 MFI - Pluricarburant-Méthanol
1	1981	4	79		1,3
2	1996-2007	6	182		3,0 MFI - Pluricarburant-Éthanol
2	1981-1985	4	98		1,6
3	1995-2005	4	121		2,0 - MFI - ZETA (DOHC)
3	1982-1987	6	232		3,8 - CFI
3	1984-1986	6	232	2/B	3,8 - Canada seulement
4	1995-2005	6	232		3,8 - MFI - SEFI
4	1987-1992	6	232		3,8 - EFI - SEFI
4	1983-1985	4	98		1,6 - HO
5	2002-2005	4	121		2,0 - MFI - ZETEC SVT - Hautes performances
5	2002				72 volts (350 A) Batterie plomb-acide/électrique
5	1987-1990	4	98		1,6 - Mazda
5	1983-1985	4	98		1,6 - EFI
6	1996	8	281		4,6 - MFI (SOHC) Usine de moteurs de Windsor
6	1993-1994	4	98		1,6 - MFI/TC (Mazda) (DOHC)
6	1991-1992	4	98		1,6 - EFI/TC (Mazda) (DOHC)
6	1982-1985	4	140		2,3 - GPL
7	1983-1985	4	98		1,6 - Méthanol HO
8	1993-1996	4	112		1,8 - MFI (Mazda) (DOHC) (Escort/Tracer)
8	1990-1992	4	109		1,8 - EFI (Mazda) (DOHC)
8	1984-1985	4	98		1,6 - EFI (Turbo)
9	1995-2006	8	281		4,6 - MFI (SOHC) - gaz naturel (moteur)
9	1985-1990	4	116		1,9 - 2V ou CFI

# Codes de moteurs de camionnettes légères Ford

2008 à 1981 — le 8<sup>e</sup> chiffre du numéro d'identification de véhicule identifie le moteur  
 Jusqu'à 1980, inclus — le 4<sup>e</sup> chiffre du numéro d'identification de véhicule identifie le moteur

Pour convertir les litres en pouces cubes, multipliez par 61,0250

Code	Année	(Moteur) Carburant	(Moteur) Cyl.	Cylindrée unitaire	Notes
A	1999-2002	G	8	330	5,4 - SEFI - DOHC - Usine de moteurs de Windsor
A	1993-1998	G	4	140	2,3 - EFI Double bougies (SOHC)
A	1990-1992	G	4	140	2,3 - EFI (SOHC)
A	1983-1989	G	4	140	2,3 - EFI
A	1975-1979	G	8	460	7,5 - Carb. à 4 corps
A	1973-1974	G	6	240	Carb. À 1 corps
B	2001	G	4	122	2,0 - ZETEC (DOHC)
B	2001	G	8	329	5,4 - SOHC - EFI
B	1998	D	4	140	2,5 - SOHC - Double bougies
B	1985	Turbo	4	140	2,3
B	1973-1979	G	6	300	4,9 - Carb. à 1 corps
C	2007-2008	G	6	213	3,5L - DOHC 24 soupapes Duratec 35
C	1998-2002	G	4	153	2,5 - SOHC - MFI
C	1992-1993	D	8	446	7,3 - Turbo
C	1983-1989	G	4	122	2,0
C	1978	G	6	300	Carb. à 1 corps- 3x6 Économie de carburant
C	1973-1976	G	8	330	Carb. à 2 corps - Serv. Moy.
D	2001-2008	G	4	140	2,3 - MFI
D	2001-2005	G	10	415	6,5 - SOHC - EFI
D	1985	CNG	4	140	2,3
D	1981-1982	G	8	255	4,2 - Carb. à 2 corps
E	1997-2008	G	6	241	4,0 - SOHC - MFI
E	1985-1987	D	4	140	2,3 - Turbo (Mitsubishi)
E	1980-1982	G	6	300	4,9 - Carb à 1 corps - LD
F	1994-2005	D	8	445	7,3 - Turbo-DI (Navistar) OHV
F	1980-1985	G	8	302	5,0 - Carb. à 2 corps
G	2002	D	4		2,5 - DI - DOHC - TI - RBO
G	1993-1997	G	8	460	7,5 - OHC - EFI
G	1987-1992	G	8	460	7,5 - OHC - EFI
G	1980-1985	G	8	351	5,8 - Carb. à 2 corps
G	1973-1979	G	8	302	5,0 - Carb. à 2 corps
H	2006-2008	EV	4	138	2,3L - Hybride-électrique
H	1993-1997	G	8	351W	5,8 - OHV
H	1990-1992	G	8	351W	5,8 - OHV - EFI (Ford)
H	1985-1989	G	8	351W	5,8 - Carb. à 4 corps EFI
H	1977-1979	G	8	351	5,8 Sauf E100/350
H	1975-1979	G	8	351	2 corps E100/350
H	1973-1976	G	8	390	2 corps, sauf E100/350
J	1973-1979	G	8	460	7,5 - Carb. à 4 corps
K	2000-2002	G	6	241	4,0 - SOHC - MFI FFV
K	1994	D	8	445	7,3 - Turbo - IDI (Navistar)
K	1978-1979	G	6	300	4,9 - Carb. à 1 corps H/D
K	1973-1976	D	3	159	Detroit 3-53W D.S.O.
L	1997-2008	G	8	330	5,4 - SOHC - EFI modulaire
L	1980-1987	G	8	460	7,5 Carb. à 4 corps
M	1997-2005	G	8	330	5,4 - SOHC - CNG
M	1993-1994	D	8	446	7,3 - OHV - MFI (Navistar)
M	1988-1992	D	8	446	7,3 - OHV - MFI (Navistar)



# Codes de moteurs de camionnettes légères Ford

2008 à 1981 — le 8<sup>e</sup> chiffre du numéro d'identification de véhicule identifie le moteur  
 Jusqu'à 1980, inclus — le 4<sup>e</sup> chiffre du numéro d'identification de véhicule identifie le moteur

Pour convertir les litres en pouces cubes, multipliez par 61,0250

Code	Année	(Moteur) Carburant	(Moteur) Cyl.	Cylindrée unitaire	Notes
M*	1983-1985	D	4	226	3,7 - White
M	1975-1976	G	8	390	Carb. à 4 corps
N	1997	G	8	330	5,4 - SOHC
N	1993-1996	G	8	302	5,0 - OHC - EFI
N	1985-1992	G	8	302	5,0 - OHC - EFI
P	2003-2008	D	8	366	6,0 - DI - DOHC - TI - RBO
P	1996-2002	G	8	302	5,0 - MFI - Moteur utilisé exclusivement sur Explorer/Mountaineer
P	1983-1984	D	4	134	2,2 - Toyo Kogyo
R	2007-2008	Diesel	8	391	6,4L - Hybride combustion
R	1992-1995	G	8	351	5,8 - MFI - HP, Camionnette perf. totale
S	1997-2008	G	10	415	6,8 - SOHC - EFI
S	1983-1986	G	6	171	2,8
S	1977-1979	G	8	400	6,6 - Carb. à 2 corps
T	1999-2002	G	6	201	3,3 - MFI - SOHC
T	1986-1992	G	6	177	2,9 - OHV - EFI
U	2004-2008	G	6	183	3,0 - EFI
U	1993-2002	G	6	183	3,0 - MFI
U	1986-1992	G	6	183	3,0 - EFI
V	2006-2008	Pluricarburant	8	330	5,4L - SOHC 24 soupapes
V	1999-2002	G	6	183	3,0 - FFV
V	1991	D	6	210	3,4 - Cummins
V	1988-1989	D	6	210	3,4
W	1997-2008	G	8	281	4,6 - SOHC - MFI
W	1993-1996	G	6	182	3,0 - MFI (SOHC)
W	1980	G	6	351	5,8 - Carb. à 2 corps
X	1991-2001	G	6	241	4,0 - OHV - SOHC
X	1990-1992	G	6	244	4,0 - OHV - EFI
Y	2007-2008	G	10	415	6,8L - SOHC 30 soupapes
Y	1993-1996	G	6	300	4,9 - OHV - MFI
Y	1983-1992	G	6	300	4,9 - OHV - EFI
Y	1973-1976	G	8	360	Carb. à 2 corps
Z	2007-2008	G	4	138	2,3L - DOHC 24 soupapes
Z	2003-2005	NGV	10	415	6,5 - SOHC - EFI
Z	1998-2005	G	8	330	5,4 - MFI - SOHC - BI - Carburant
Z	1994-1996	G	6	300	4,9 - OFP
Z	1985	G		140	2,3 - Brésil
Z	1980-1982	G	8	400	6,6 - Carb. à 2 corps
0	1980-1996				D.S.O.
1	2001-2008	G	6	183	3,0 - SEFI - DOHC
1	1999-2002	EV			136V - 75HP - Modèle électrique
1	1997-1998	G	6	182	3,0 - SOHC - MFI
1	1983-1987	D	8	420	6,9 - I.H. (Diesel)
1	1973-1976	G	6	240	1 corps - Basse compression - D.S.O.
2	1997-2008	G	6	256	4,2 - MFI - OHV
3	1999-2005	G	8	330	5,4 - SOHC - SFI
3	1983	G	6	230	3,8
4	1994-2005	G	6	232	3,8 - MFI - OHV
4	1974	G	8	330	2 corps - Basse compression - D.S.O.

\* Construction spéciale

# Codes de moteurs de camionnettes légères Ford

2008 à 1981 — le 8<sup>e</sup> chiffre du numéro d'identification de véhicule identifie le moteur  
Jusqu'à 1980, inclus — le 4<sup>e</sup> chiffre du numéro d'identification de véhicule identifie le moteur

Pour convertir les litres en pouces cubes, multipliez par 61,0250

Code	Année	(Moteur) Carburant	(Moteur) Cyl.	Cylindrée unitaire	Notes
5	2007-2008	G	8	330	5,4L - SOHC 24 soupapes
5	1974	G	8	360	2 corps. - Basse compression - D.S.O.
6	2006-2007	G	6	238	3,9L
6	1997-2005	G	8	281	4,6 - SOHC - EFI
7	1998-2002	EV			336V - 75 HP Électrique - Batterie plomb-acide
7	1998				325V - 90 HP Électrique 67 KW - Camionnette Ranger électrique
7	1980-1981	G	8	351	5,8 - 2 corps - Export - D.S.O.
8	2006-2008	G	8	281	4,6L - SOHC 24 soupapes
9	1982-1996	G	6	300	4,9 - 2 corps - Conversion GPL

# Codes de boîtes de vitesses automatiques/boîtes-ponts General Motors 1995 à 1991

Buick, Cadillac, Chevrolet tourisme et camionnette, Oldsmobile, Pontiac

Code option	Vitesses	Modèle/Type
M13	4	4T60-E
M15	4	4T65-E (Amélioré)
M22	5	5L50E
M30	4	4L60-E
M32	4	4L60-E HD, 4L65-E
M33	3	CBC350, 4L60-E Hybride
M41	4	4L30-E
M70	4	4L70-E Super Duty
M74	5	Allison 1000
M76	4	4T65E
M82	5	5L40-E
M84	5	5T50-E
M89	5	5L90-E
M90	5	4L40-E
M95	5	5T70-E
MD2	3	3L30
MD8	4	4L60
MD9	3	3T40
ME9	4	4T60
MD1	4	AT540
MH1	4	4T80-E
ML4	4	4L30-E
MN3	4	4T65-E
MN4	4	4T40-E
MN5	4	4T45-E
MN7	4	4T65-E H.D.
MN8	4	4L80-E HD, 4L85-E
MT1	4	4L80-E HD
MU4	4	Aisin Toyota
MU5	4	Aisin Toyota, PTU
MU6	4	Hokkaido-Toyota
MV3	5	5L50-E w/4 W/D/A.W.D.
MV4	3	THM350
MV9	3	THM250
MW7	6	Allison 1000
MW9	4	HM 200-4R
MX4	5	Allison 2000, 5L40-E w/4 W/D/A.W.D.
MTW	5	Allison 2400
MYB	6	6L50
MYC	6	6L80

Le code option M13 a 19 boulons de carter d'huile.

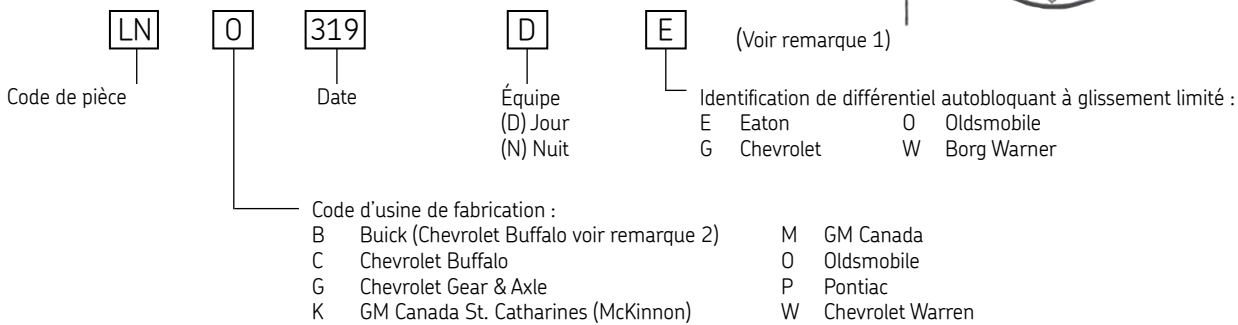
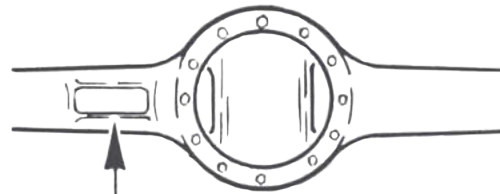
Le code option MV4 a 13 boulons de carter d'huile et un carter de 13-1/2 x 12-5/16 po.

Le code option MV9 a 11 boulons de carter d'huile et un carter de 13-3/16 x 11-5/8 po.

# Identification des essieux General Motors 1995 à 1991

Buick, Cadillac, Chevrolet tourisme et camionnette, Oldsmobile, Pontiac

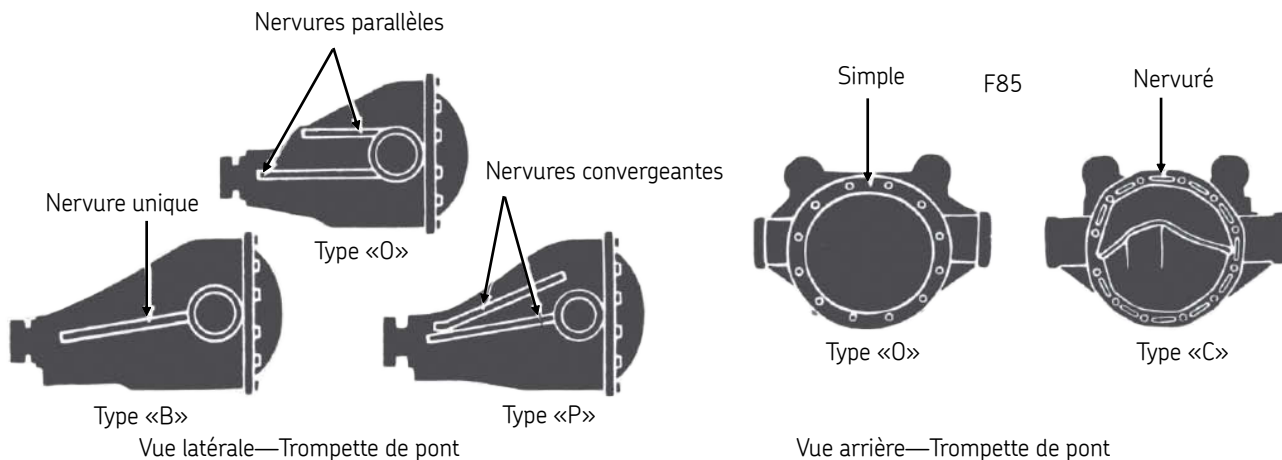
Les codes d'essieux GM sont emboutis à l'arrière et sur la gauche du tube d'essieu en lettres de 1/4 po de hauteur à 3 po (7,5 cm) du support, ou sur une plaque métallique fixée à un boulon de couvercle.



Remarque: (1) Les véhicules de 1978 ont un code d'identification différent de celui qui est illustré plus haut, les caractères 1 à 3 sont les mêmes, toutefois le caractère 4 est l'année, les caractères 5 à 7 sont la date ordinale et le caractère 8 est le caractère d'équipe.

(2) Certains véhicules Chevrolet ont un code à 7 caractères qui contient moins d'informations, les caractères 1 et 3 sont l'identification du véhicule. Les caractères 3 à 6 sont le mois et le jour de production et le caractère 7 est le code de l'usine de fabrication. Sur les véhicules dotés du code à 7 caractères, l'usine B n'est pas Buick, mais Chevrolet Buffalo.

## Identification de l'essieu arrière Oldsmobile et F85



# Codes de moteurs de voitures de tourisme et camionnettes légères GM

2008 à 1981 — le 8<sup>e</sup> chiffre du numéro d'identification de véhicule identifie le moteur  
1980 à 1976 — le 5<sup>e</sup> chiffre du numéro d'identification de véhicule identifie le moteur

Pour convertir les litres en pouces cubes, multipliez par 61,0250

Code	Année	(Moteur) Cyl.	(Moteur) Cylindrée unitaire	Carb.	Notes
A	2003-2008	V8	281	SFI	4,6 L, Cadillac
A	1992-1995	4	138	EFI	2,3 L, Chev., Olds.
A	1989-1995	4	138	EFI	2,3 L, Chev., Olds., Pontiac
A	1987	V6	231	2	3,8 L, Buick
A	1978-1986	V8	305	4	5,0 L, Chev.
A	1976	4	140	1	2,3 L, Chev.
B	2006-2008	4		MFI	2,4 L, Chev., Pontiac, Saturn
B	2006-2008	V8	325	MFI	5,3 L, Cam.. Chev./GMC
B	2002	V6	231	MFI	3,8 L, Pontiac
B	1978-1981, 1984-1995	V8	300	EFI	4,9 L, Cadillac
B	1978-1985, 1990	V8	350	4	5,7 L, Buick
B	1982-1984	4	121	2	2,0 L, Chev.
B	1978-1979	V6	231	EFI	3,8 L, Buick
B	1976-1977	V8	350	EFI	5,7 L, Buick
B	1976-1977	4	140	2	2,3 L, Chev.
C	2007-2008	V8	294	MFI	4,8 L, Cam. Chev./GMC
C	2006-2008	4	325	MFI	5,3 L, Buick, Chev., Pontiac
C	1995-2003	V8	244	EFI	4,0 L, Olds.
C	1999-2005	L4	121	EFI	2,0 L, Chev. Cam..
C	1991	V6	231	EFI	3,8 L, Olds., Pontiac, EFI
C	1978-1979, 1991	V6	189	EFI	3,1 L, Pontiac
C	1978-1982, 1988-1989, 1991	V6	231	EFI	3,8 L, Buick
C	1982-1987	4	98	2	1,6 L, Chev.
C	1985-1986	V6	231	2	3,8 L, Buick
D	2006-2008	4	134	MFI	2,2 L, Chev., Pontiac
D	2006-2008	V8		MFI	4,4 L, Cadillac
D	2006-2008	V8	403	Diesel	6,6 L, Cam.. Chev./GMC
D	1991-1998	V6	189	EFI	3,1 L, Olds., Pontiac
D	1989-1998	V6	189	EFI	3,1 L, Chev.
D	1992-1995	4	138	EFI	2,3 L, Pontiac
D	1990-1995	4	138	EFI	2,3 L, Olds.
D	1990-1991	4	138	EFI	2,3 L, Buick
D	1988-1990	4	140	EFI	2,3 L, Olds.
D	1988	V6	231	EFI	3,8 L, Buick
D	1981-1986	4	111	Diesel	1,8 L, Chev. (Isuzu)
D	1976-1979	V6	250	1	4,0 L, Chev.
E	2007-2008	5	223	MFI	3,7 L, Chev./GMC Cam..., Hummer
E	2006-2008	V8	427	MFI	7,0 L, Chev.
E	1997-2005	6	207	MFI	3,4 L, Buick, Chev., Olds., Pontiac
E	1976, 1988-1993	V8	305	EFI	5,0 L, Chev., Olds., Pontiac
E	1985-1986, 1991-1992	V8	305	EFI	5,0 L, Buick
E	1979, 1991-1992	V8	305	EFI	5,0 L, Cadillac
E	1977, 1991-1992	V8	305	EFI	5,0 L, Olds.
E	1976-1977, 1991-1992	V8	305	EFI	5,0 L, Pontiac
E	1991	4	151	EFI	2,5 L, Chev.
E	1986	V6	181	EFI	3,0 L, Buick
E	1982-1985	V6	181	2	3,0 L, Buick
E	1976-1979	4	98	1	1,6 L, Chev.

# Codes de moteurs de voitures de tourisme et camionnettes légères GM

2008 à 1981 — le 8<sup>e</sup> chiffre du numéro d'identification de véhicule identifie le moteur  
1980 à 1976 — le 5<sup>e</sup> chiffre du numéro d'identification de véhicule identifie le moteur

Pour convertir les litres en pouces cubes, multipliez par 61,0250

Code	Année	(Moteur) Cyl.	(Moteur) Cylindrée unitaire	Carb.	Notes
F	2006-2008	6	207	MFI	3,4 L, Chev. Cam., Pontiac
F	1999-2008	L4	134	MFI	2,2 L, Chev., Olds., Pontiac (Canadien), Saturn
F	1992-2002	V8	395	Diesel	6,5 L, Cam. Chev./GMC
F	1976-1977, 1991-1992	V8	305	N/L	5,0 L, Pontiac
F	1983, 1987-1992	V8	305	EFI	5,0 L, Chev.
F	1982-1983	4	151	2	2,5 L, Pontiac
F	1976-1980	V8	260	2	4,3 L, Olds.
G	2001-2008	8	350	MFI	8,1 L, Chev./GMC Cam.
G	1997-2004	V8	350	MFI	5,7 L, Chev., Pontiac
G	1990-1998	4	134	EFI	2,2 L, Chev.
G	1982, 1987-1988	V8	305	4	5,0 L, Chev.
G	1983	V6	231	2	3,8 L, Buick
G	1982	4	112	2	1,8 L, Chev.
G	1977-1978	V8	305	2	5,0 L, Chev.
G	1976	V8	262	2	4,3 L, Chev.
H	2005-2008	V8	366	SFI	6,0 L, Chev., Chev. Cam., Pontiac
H	1999-2002	V6	215	MFI	3,5 L, Olds.
H	1997-1999	Electric			85KW, Chev. Cam.
H	1992-1994	4	121	EFI	2,0 L, Pontiac
H	1987-1988	V8	305	4	5,0 L, Chev.
H	1976-1980	V8	350	2	5,7 L, Buick
I	2001-2002	V8	403	Diesel	6,6 L, Cam. Chev./GMC
I	1995	V6	231	EFI	3,8 L, Buick
I	1987-1988	4	121	EFI	2,0 L, Chev.
I	1976-1977	4	85	1	1,4 L, Chev.
J	2007-2008	V8	325	MFI	5,3 L, Cam., Chev./GMC
J	1999-2005	V6	189	SFI	3,1 L, Buick, Chev., Olds., Pontiac
J	1996-2003	V8	454	Gas	7,4 L, Chev./GMC Cam., MFI
J	1990-1998	V8	350	EFI	5,7 L, Chev.
J	1984-1986	4	112	EFI	1,8 L, Pontiac
J	1979-1982	V8	267	2	4,4 L, Chev.
J	1977	4	98	1	1,6 L, Chev.
J	1976-1977	V8	350	4	5,7 L, Buick
K	2007-2008	V8	366	MFI	6,0 L, Cam. Chev./GMC
K	2006-2008	6	214	MFI	3,5 L, Chev.
K	1995-2005	V6	231	MFI	3,8 L, Buick, Chev., Olds., Pontiac
K	1988-1991	4	121	EFI	2,0 L, Pontiac
K	1986	4	151	2	2,5 L, Pontiac
K	1985	4	92	2	1,5 L, Chev (Isuzu)
K	1977-1979	V8	403	4	6,6 L, Olds.
L	2006-2007	6	211	MFI	3,5 L, Buick, Chev. Cam., Pontiac, Saturn
L	2006	6		MFI	2,5 L, Chev.
L	2003-2006	L4	1794-1798	SFI	1,8 L, Pontiac
L	1992-1995	V6	231	EFI	3,8 L, Pontiac
L	1986, 1988, 1991-1995	V6	231	EFI	3,8 L, Buick
L	1992-1994	V6	231	EFI	3,8 L, Chev.
L	1991-1994	V6	231	EFI	3,8 L, Olds.
L	1985-1987	V6	181	EFI	3,0 L, Buick

# Codes de moteurs de voitures de tourisme et camionnettes légères GM

2008 à 1981 — le 8<sup>e</sup> chiffre du numéro d'identification de véhicule identifie le moteur  
 1980 à 1976 — le 5<sup>e</sup> chiffre du numéro d'identification de véhicule identifie le moteur

Pour convertir les litres en pouces cubes, multipliez par 61,0250

Code	Année	(Moteur) Cyl.	(Moteur) Cylindrée unitaire	Carb.	Notes
L	1985-1987	V6	173	EFI	2,8 L, Chev.
L	1983-1984	V6	173	2	2,8 L, Chev.
L	1978-1980	V8	350	4	5,7 L, Chev.
M	2005-2008	V8	327		5,3 L, Buick, Chev./GMC Cam., Pontiac
M	2003-2004	L4	85	MFI	1,4 L, Chev.
M	2003-2004	V6		MFI	2,6 L, Cadillac
M	2003	V6	189	MFI	3,1 L, Buick, Chev., Olds., Pontiac
M	1996-2002	V8	305	MFI	5,0 L, Chev./GMC Cam., MFI
M	1990-2000	V8			7,0 L, Chev./GMC Cam..
M	1995-1999	V6	189	EFI	3,1 L, Chev.
M	1994-1996	V6	189	EFI	3,1 L, Buick, Pontiac
M	1993-1996	V6	189	EFI	3,1 L, Olds.
M	1985	3	61	2	1,0 L, Chev (Suzuki)
N	2007	V8	366	MFI	6,0 L, Chev./GMC Cam..
N	2006-2008	6	214	MFI	3,5 L, Chev. (Canada), Chev., Pontiac
N	2002-2006	V8	368	MFI	6,0 L, Cadillac, Chev./GMC Cam.. HO
N	2003-2005	V8	281	MFI	4,6 L, Cadillac
N	2004	V6	194	MFI	3,2 L, Cadillac
N	1992-1993	V6	204	EFI	3,3 L, Pontiac
N	1983-1984, 1989-1990, 1992-1993	V6	204	EFI	3,3 L, Olds.
N	1980-1982, 1989-1990, 1992-1993	V6	204	EFI	3,3 L, Buick
N	1990	V6	200	EFI	3,3 L, Olds.
O	1991	4	138	EFI	2,3 L, Pontiac
P	2008	L4		MFI	2,4 L, Chev.
P	2004-2007	4	121		2,0 L, Chev., Saturn
P	2005-2006	V8	327		5,3 L, Buick, GMC Cam..
P	2004	V8		SFI	5,8 L, Cadillac
P	2003	V8	350	MFI	5,7 L, Chev., Pontiac
P	1990-2000	V8	366		6,0 L, Chev./GMC Cam..
P	1994-1999	V8	395	Diesel	6,5 L, Chev./GMC Cam..
P	1992-1999	V8	350	EFI	5,7 L, Chev., Pontiac
P	1994-1996	V8	350	EFI	5,7 L, Buick, Cadillac
P	1992	V8	350	4	5,7 L, Pontiac
P	1983-1986	4	121	EFI	2,0 L, Chev.
P	1979	V8	260	Diesel	4,3 L, Olds.
R	2007	6	237	MFI	3,9 L, Chev.
R	1997-2004	V6	181	MFI	3,0 L, Cadillac, Pontiac (Canadien), Saturn
R	1996-2000	V8	350	MFI	5,7 L, Chev./GMC Cam..
R	1993-1996	V6	207	EFI	3,4 L, Olds., Pontiac
R	1989-1992	4	151	EFI	2,5 L, Chev.
R	1989, 1991-1992	4	151	EFI	2,5 L, Buick
R	1986, 1991-1992	4	151	N/L	2,5 L, Olds.
R	1986, 1991-1992	4	151	EFI	2,5 L, Olds.
R	1991	V6	173	EFI	2,8 L, Chev.
R	1982-1991	4	151		2,5 L, Pontiac
R	1977-1986, 1991	V6	204	EFI	3,3 L, Olds.
R	1977-1980	V8	350	4	5,7 L, Olds.
S	2005-2008	V6	256		4,2 L, Chev./GMC Cam., Buick

# Codes de moteurs de voitures de tourisme et camionnettes légères GM

2008 à 1981 — le 8<sup>e</sup> chiffre du numéro d'identification de véhicule identifie le moteur  
 1980 à 1976 — le 5<sup>e</sup> chiffre du numéro d'identification de véhicule identifie le moteur

Pour convertir les litres en pouces cubes, multipliez par 61,0250

Code	Année	(Moteur) Cyl.	(Moteur) Cylindrée unitaire	Carb.	Notes
S	2002-2005	V8	350	SFI	5,7 L, Chev., Cadillac
S	2002-2005	L6		MFI	4,2 L, Chev./GMC Cam..
S	1994-1999	V8	395	Diesel/Turbo	6,5 L, Chev./GMC Cam..
S	1993-1995	V6	207	EFI	3,4 L, Chev., Pontiac
S	1985-1989	V6	173	EFI	2,8 L, Chev.
S	1985-1986	V6	173	2	2,8 L, Chev.
S	1980-1986	V8	305	EFI	5,0 L, Chev.
S	1980-1981	V8	265	2	4,3 L, Pontiac
T	1999-2008	V8	323	SFI	5,3 L, Chev./GMC Cam..
T	2006-2007	V8	325	MFI	2,8 L, Cadillac
T	1996-2004	4	146	MFI	2,4 L, Buick, Chev., Olds., Pontiac
T	1990-1998	V6	189	EFI	3,1 L, Chev., Pontiac
T	1989-1998	V6	189	EFI	3,1 L, Buick
T	1978-1979, 1990-1998	V6	189	EFI	3,1 L, Olds.
T	1993-1994	V6	189	EFI	3,1 L, Pontiac
T	1985	V8	260	Diesel	4,3 L, Olds.
T	1982-1985	V6	260	EFI	4,3 L, Olds.
T	1977-1979	V8	301	4	4,9 L, Pontiac
T	1976-1979	V8	425	EFI	7,0 L, Cadillac
U	1999-2007	V8	366		6,0 L, Cadillac, Chev., Chev./GMC Cam., Pontiac
U	1986, 1990	4	151	EFI	2,5 L, Buick
U	1985-1990	4	151	EFI	2,5 L, Pontiac
U	1983-1986	V8	305	2	5,0 L, Chev.
V	2008	V6	217	DI	3,6 L, Cadillac
V	1999-2007	V8	292		4,8 L, Chev./GMC Cam..
V	1982-1985	V6	260	Diesel	4,3 L, Olds.
V	1977-1980	4	151	2	2,5 L, Pontiac
V	1976-1977	V8	350	2	5,7 L, Chev.
W	2008	V6	237	MFI	3,9 L, Chev. APV
W	1992-2002	V6	262	CPI	4,3 L, Chev./GMC Cam., HO
W	1999	V6	181	SFI	3,0 L, Cadillac
W	1994-2004	V8	265	EFI	4,3 L, Chev.
W	1993	V6	189	EFI	3,1 L, Chev.
W	1989	V6	173	EFI	2,8 L, Buick
W	1985-1989	V6	173	EFI	2,8 L, Chev.
W	1978	V8	301	4	4,9 L, Pontiac
X	2003-2008	V6	262	MFI	4,3 L, Chev./GMC Cam..
X	2003	V6	207	MFI	3,4 L, Chev., Olds.
X	1996-1998	V6	262	CPI	4,3 L, Chev./GMC Cam..
X	1986, 1991-1998	V6	207	EFI	3,4 L, Chev.
X	1976-1977, 1991-1998	V6	207	EFI	3,4 L, Olds., Pontiac
X	1980-1986	V6	173	2	2,8 L, Chev.
X	1978-1979	V8	350	4	5,7 L, Chev.
X	1976	V8	350	4	5,7 L, Buick
Y	2007-2008	V8	366	MFI	6,0 L, Chev./GMC Cam..
Y	1993-2007	V8	281	EFI	4,6 L, Buick, Cadillac
Y	1994-2000	V8	395	Diesel	6,5 L, Chev./GMC Cam..
Y	1985-1986, 1990-1991	V8	305	4	5,0 L, Cadillac



# Codes de moteurs de voitures de tourisme et camionnettes légères GM

2008 à 1981 — le 8<sup>e</sup> chiffre du numéro d'identification de véhicule identifie le moteur  
 1980 à 1976 — le 5<sup>e</sup> chiffre du numéro d'identification de véhicule identifie le moteur

Pour convertir les litres en pouces cubes, multipliez par 61,0250

Code	Année	(Moteur) Cyl.	(Moteur) Cylindrée unitaire	Carb.	Notes
Y	1989	V8	305	4	5,0 L, Chev.
Z	2002-2007	V8	327	MFI	5,3 L, Chev./GMC Cam..
Z	2003-2006	L4	122	MFI	2,0 L, Cadillac, Chev.
Z	1993	V8	250	EFI	4,1 L, Cadillac
Z	1993	V6	262	EFI	4,3 L, Cadillac
Z	1985-1993	V6	262	EFI	4,3 L, Chev.
Z	1987	V6	173	EFI	2,8 L, Chev.
Z	1981-1984	V6	173	2	2,8 L, Chev.
Z	1977-1979	V8	400	4	6,6 L, Pontiac
0	2007-2008	V8	325	MFI	5,3 L, Chev./GMC Cam..
0	1982-1986	4	112	EFI	1,8 L, Pontiac (Brazil)
0	1978-1979	4	98	2	1,6 L, Chev.
1	2006-2008	V6	237	MFI	3,9L, Buick, Chev., Chev. APV, Pontiac, Saturn
1	1993-2005	V6	231	EFI	3,8 L, Chev., Buick, Olds., Pontiac
1	1992-1998	V6	231	EFI	3,8 L, Pontiac
1	1989	4	122	EFI	2,0 L, Buick, Chev.
1	1982-1984	V6	173	2	2,8 L, Chev.
1	1978-1979	4	151	2	2,5 L, Pontiac
2	2006-2008	V8	403	Diesel	6,6L, Chev./GMC Cam..
2	2004-2007	V6	231	SFI	3,8 L, Buick, Pontiac
2	1998-2003	L4	79	MFI	1,3 L, Chev. Cam..., Pontiac (Canadien)
2	1987-1990	3	61	Turbo	1,0 L, Chev. (Suzuki)
2	1982-1986	4	151	EFI	2,5 L, Pontiac
2	1982-1985	V6	231	2	3,8 L, Buick
3	2008	V6	237	MFI	3,9 L, Chev.
3	2007-2008	V8	325	MFI	5,3 L, Cam. Chev./GMC , Pluricarburant
3	2006	V8	403	Diesel	6,6 L, Chev. Cam..
3	1992-1995	4	138	EFI	2,3 L, Buick, Olds., Pontiac
3	1993	4	138	EFI	2,3 L, Pontiac
3	1990	V8	273	EFI	4,5 L, Cadillac
3	1985, 1987-1988	V6	231	EFI	3,8 L, Buick
3	1985-1986	V6	231	4	3,8 L, Buick
4	2008	V8	325	Pluricarburant	5,3 L, Chev./GMC Cam..
4	2006-2007	V6	214	MFI	3,5 L, Saturn
4	2004-2007	V6	231	SFI	3,8 L, Pontiac
4	1994-2004	4	134	MFI	2,2 L, Chev./GMC Cam..
4	1993-1996	4	134	EFI	2,2 L, Buick, Olds.
4	1992-2003	4	134	EFI	2,2 L, Chev., Pontiac
4	1985-1988	4	98	2	1,6 L, Chev.
4	1986	V6	252	2	4,1 L, Buick
4	1980-1981, 1983-1986	V8	350	4	5,7 L, Chev.
4	1980-1986	V6	252	4	4,1 L, Buick
5	2008	L4		Hybride	2,4 L, Chev., Saturn
5	2008	V8	364	Hybride	6,0 L, Chev./GMC Cam..
5	2003	V8	350	MFI	5,7 L, Chev.
5	1999-2003	102AC312			Electric EVI
5	2000-2002	L4	115	MFI	2,2 L, Chev./GMC Cam..
5	1998-2000	L6	400	Diesel	6,6 L, Chev./GMC Cam..

# Codes de moteurs de voitures de tourisme et camionnettes légères GM

2008 à 1981 — le 8<sup>e</sup> chiffre du numéro d'identification de véhicule identifie le moteur  
1980 à 1976 — le 5<sup>e</sup> chiffre du numéro d'identification de véhicule identifie le moteur

Pour convertir les litres en pouces cubes, multipliez par 61,0250

Code	Année	(Moteur) Cyl.	(Moteur) Cylindrée unitaire	Carb.	Notes
5	1996	V8	350	MFI	5,7 L, Chev.
5	1988-1991	4	98	EFI	1,6 L, (Toyota)
5	1988-1989	V8	273	EFI	4,5 L, Cadillac
5	1986-1987	3	61	2	1,0 L, Chev. (Suzuki)
5	1980-1983	4	151	2	2,5 L, Pontiac
6	2007-2008	V8	403	Diesel	6,6 L, Chev./GMC Cam..
6	2006-2008	4		MFI	1,6 L, Chev., Pontiac (Canada)
6	2006	5	211	MFI	3,5 L, Chev./GMC Cam..
6	2004	L4	115	MFI	2,2 L, Chev./GMC Cam..
6	1989-2003	3	61	EFI	1,0 L, Chev. (Suzuki)
6	1997-2003	L4	98	MFI	1,6 L, Chev., Chev./GMC Cam..
6	1988-1991	4	98	EFI	1,6 L, (Toyota)
6	1987	4	350	4	5,7 L, Chev.
6	1980	V8	368	4	6,0 L, Cadillac
7	2008	V6	217	MFI	3,6 L, Chev./GMC Cam..
7	2004-2008	V6	217	FI	3,6 L, Buick, Cadillac, Pontiac
7	1999-2001	L4	116	SFI	1,9 L, Saturn
7	1992-1993	V8	350	EFI	5,7 L, Buick, Cadillac
7	1980, 1982-1986, 1990-1992	V8	350	EFI	5,7 L, Chev.
7	1984-1985, 1990	V6	231	EFI	3,8 L, Buick
7	1987-1988	V8	250	EFI	4,1 L, Cadillac
7	1986-1988	4	92	2	1,5 L, Chev. (Isuzu)
7	1980	V6	173	2	2,8 L, Chev.
7	1978-1979	V8	305	EFI	5,0 L, Chev.
8	2007-2008	4		MFI	1,8 L, Pontiac
8	2007-2008	V8	378	MFI	6,2 L, Cadillac, Chev./GMC Cam..
8	2006	4	169	MFI	2,8 L, Chev./GMC Cam..
8	2004-2006	V6	215	SFI	3,5 L, Buick, Chev., Pontiac, Saturn
8	1999-2005	L4	108	MFI	1,8 L, Chev., Saturn
8	1998-2001	L4	116	SFI	1,9 L, Saturn
8	1979-1980, 1987-1998	V8	350	EFI	5,7 L, Chev.
8	1980-1981, 1991-1992	V8	273	EFI	4,5 L, Cadillac
8	1984-1985, 1987-1988	V8	252	EFI	4,1 L, Cadillac
8	1982-1986	V8	250	EFI	4,1 L, Cadillac
8	1984-1985	V6	231	4	3,8 L, Buick
8	1982	V8	260	2	4,3 L, Olds.
8	1980	V8	350	EFI	5,7 L, Olds.
9	2007-2008	4	178	MFI	2,9 L, Chev./GMC Cam..
9	1993-2006	V8	281	EFI	4,6 L, Cadillac
9	2004-2005	V8	279	SFI	4,6 L, Cadillac
9	1998-2003	V8	283	MFI	4,6 L, Chev./GMC Cam..
9	1980-1981, 1989-1990	4	98	2	1,6 L, (Toyota)
9	1986-1988	4	92	Turbo	1,5 L, Chev. (Isuzu)
9	1985-1988	V6	173	EFI	2,8 L, Chev.
9	1985-1986	V6	231	EFI	3,8 L, Buick
9	1980-1984	V8	368	EFI	6,0 L, Cadillac
9	1979	4	151	2	2,5 L, Pontiac
9	1978	V6	229	N/L	3,8 L, Chev.
9	1976	V8	307	EFI	5,0 L, Olds.

# Informations sur le système de freinage GM

Systèmes de freinage de voitures à carrosserie « A » General Motors (Buick Century, Chevrolet Celebrity, Oldsmobile Ciera, Pontiac 6000) de 1995 à 1991

Les renseignements suivants sont fournis pour permettre l'identification des systèmes de freinage utilisés sur les voitures à carrosserie « A ».  
Consultez l'étiquette d'identification des pièces de rechange pour l'identification du système de freinage

Exemple :

Identification des pièces de rechange														NE PAS RETIRER	
1 G 3 A R 4 7 9 X E 5 1 0 0 0 0 1															
AG	AM6	AU3	A31	A90	BMD	B34	B51	B65	B85	B93	C02	C04	C49	C60	
C90	C95	DF3	D3C	D33	D64	E5Z	E7D	FFL	F40	GG1	GU2	G60	G67	G89	
<b>JA1</b>	JA4	K05	K15	K99	LV2	MW9	MX0	NA5	NB1	NK1	NK3	N33	N67	GJW	
T87	UJ3	U23	U35	V08	V10	WC3	WG2	YT9	Y56	01L	6PH	42B	42I	42Q	
42T	409	7PH	11A	90A											
SCO # 253 PAINT LOWER BODY GM CODE 42															
LT GRAY FERN MET-1984 CUTLASS															
COLOR DUPONT CODE 397-AB154															
FISHER CODE WA 8239															
FILLERS TO BE ARGENT															
IMPRIMÉ AUX ÉTATS-UNIS												NO DE PIÈCE 14065987			

Les options « J » offrent les types de freins utilisés par production

# Instructions de montage des joints étanches à l'huile

1. Vérifiez l'alésage. — Le bord antérieur doit être ébarbé. Il faut prévoir un coin arrondi ou chanfreiné.
2. Vérifiez l'arbre. — Supprimez les éraflures, barbes, gorges et marques spirales de machine (pas hélicoïdal de machine).
3. Vérifiez le bout de l'arbre. — Supprimez les barbes et les arêtes tranchantes. Le bout de l'arbre doit être chanfreiné dans les applications où l'arbre pénètre dans le joint contre la lèvre d'étanchéité.
4. Vérifiez les cannelures et les rainures de clavettes. — Les arêtes tranchantes doivent être recouvertes d'un manchon de montage graissé, de cales minces ou de ruban pour protéger la lèvre d'étanchéité.
5. Vérifiez les cotes. — Vérifiez bien si les diamètres de l'arbre et de l'alésage correspondent à ceux qui sont spécifiés pour le joint sélectionné.
6. Vérifiez qu'il n'y a pas d'interférence entre les pièces. — Vérifiez qu'aucune autre pièce de machine ne frotte contre le joint et que ce frottement éventuel ne produit pas un échauffement dommageable.
7. Vérifiez le joint. — Il aurait pu être endommagé avant le montage. Une lèvre d'étanchéité retroussée, coupée ou endommagée de toute autre façon doit être remplacée.
8. Vérifiez le sens de montage du joint. — Vérifiez bien si le joint neuf est tourné dans le même sens que le joint d'origine. Généralement la lèvre est du côté du lubrifiant ou du liquide qui doit être retenu.
9. Utilisez les bons outils de montage. — Les outils d'ajustage à la presse doivent avoir un diamètre extérieur inférieur d'environ 0,254 mm (0,010 po) à la dimension de l'alésage. Pour les meilleurs résultats, le centre de l'outil doit être ouvert de sorte que la pression ne soit exercée que sur le bord extérieur.
10. Prélubrifiez l'élément d'étanchéité. Avant le montage, essuyez l'élément avec le lubrifiant retenu.
11. Ne martelez jamais directement la surface du joint. — Utilisez le dispositif de mise en place adéquat, comme un outil à surface molle, une presse à crémaillère une pièce de bois tendre. Exercez la force uniformément sur le bord extérieur du joint pour éviter de le monter de travers.
12. Positionnez le joint adéquatement, vérifiez l'alignement et regardez si le joint n'a pas été endommagé pendant le montage.

## Après le montage

1. Si vous peignez l'ensemble, veillez à masquer le joint afin de ne pas mettre de peinture sur la lèvre ou sur l'arbre sur laquelle repose la lèvre. Masquez également les événements afin d'éviter qu'ils ne se bouchent.
2. Si la peinture doit passer au four ou si le mécanisme doit être soumis à la chaleur, il faut veiller à ce que le joint ne soit pas exposé à des températures supérieures à celles qu'il peut tolérer.
3. En cas de nettoyage ou d'essai n'exposez pas les joints à des fluides ou des pressions susceptibles de les endommager.

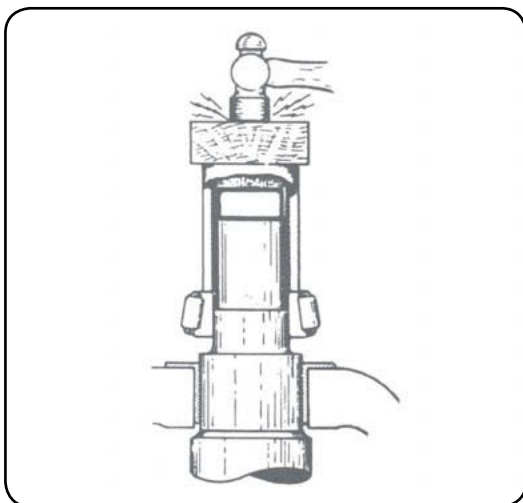
# Instructions de montage de roulements

La défaillance prématurée des roulements est souvent causée par des méthodes inadéquates lors de la manipulation ou du montage. Vous trouverez ci-dessous une liste de contrôle qui vous guidera dans le soin adéquat des roulements.

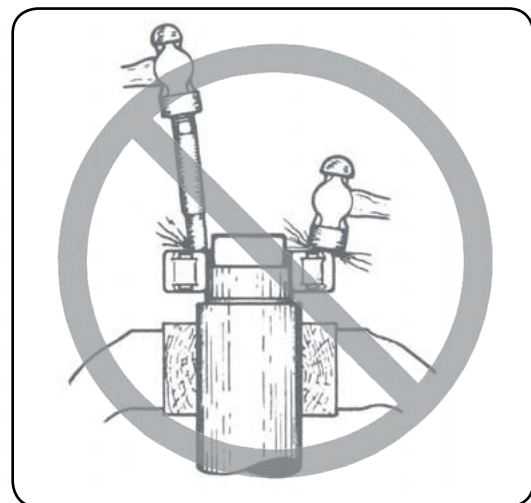
## Liste de contrôle du soin des roulements

1. Veillez à ce que l'aire de travail soit propre. Il faut retirer le plus possible de saletés avant d'exposer les roulements.
2. Tous les outils doivent être propres et en bon état.
3. Manipulez toujours les roulements en ayant les mains propres et sèches.
4. Quand vous nettoyez un roulement, n'utilisez jamais une solution de nettoyage contaminée pour le rinçage final.
5. Pour nettoyer et sécher les roulements, utilisez toujours des chiffons propres et non pelucheux.
6. Ne faites pas tourner un roulement avec de l'air comprimé.
7. Recouvrez les roulements neufs ou nettoyés afin de supprimer toute contamination par la saleté ou l'humidité.
8. Les lubrifiants à roulements doivent être propres et conservés dans des récipients clos.
9. Ne nettoyez ou ne lavez pas le lubrifiant d'un roulement neuf.
10. Inspectez et nettoyez l'alésage du boîtier et l'arbre avant de monter un roulement.
11. Lubrifiez le roulement juste avant le montage.

## Méthode de montage



1. Exercez toujours la pression de montage contre la bague qui est ajustée à la presse.
2. Utilisez les bons outils quand on monte une cuvette afin d'éviter tout endommagement de la surface du roulement.

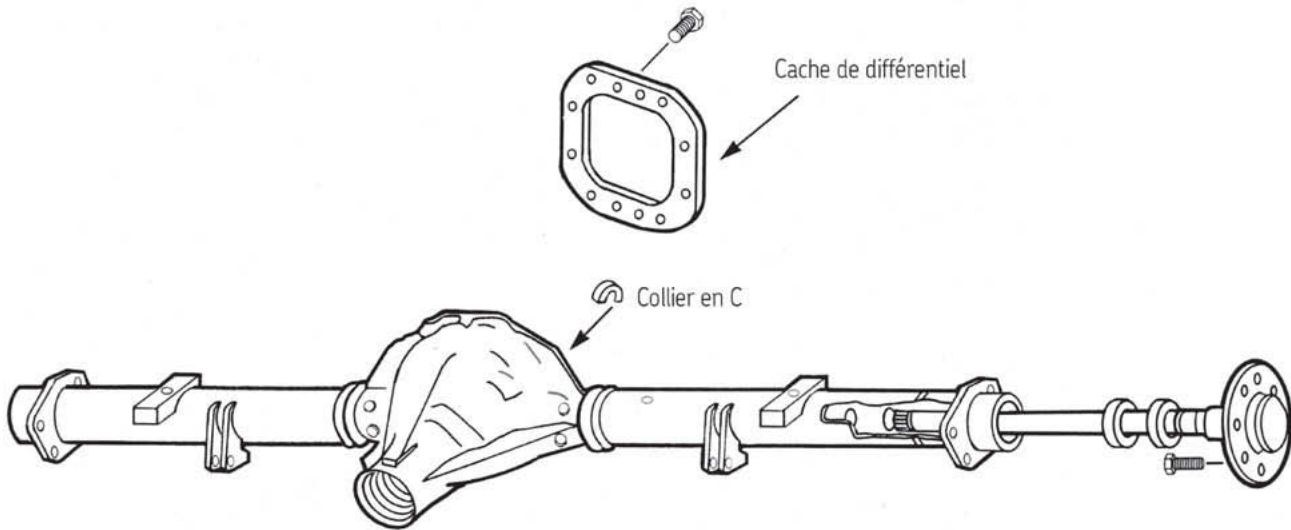


1. Ne martelez jamais directement un roulement ; cela endommagera le roulement et l'arbre.

# Essieu semi flottant c. essieu flottant

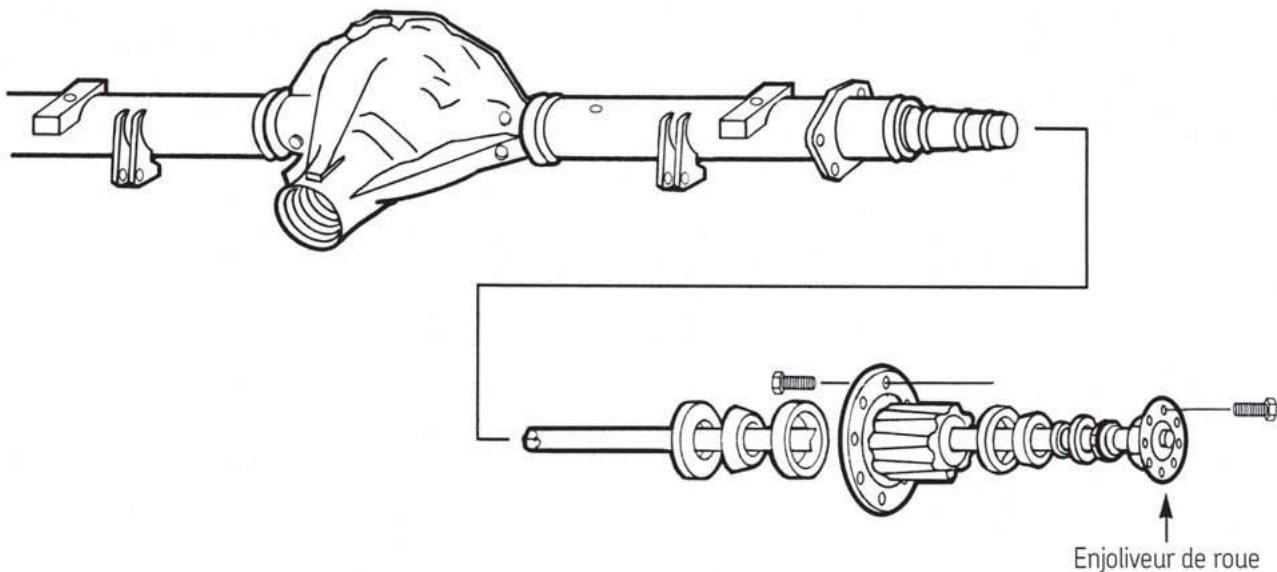
## Essieu semi flottant caractéristique

L'essieu semi flottant caractéristique ne peut pas être démonté sans le cache de différentiel et sans démonter d'abord le collier en C de l'essieu.



## Essieu flottant caractéristique

Le fait de tirer l'essieu à travers le centre de la roue et de la jante après avoir démonté les boulons d'enjoliveur démonte les essieux tout flottants caractéristiques. L'essieu semi flottant ne peut pas être démonté sans enlever le cache de différentiel et sans démonter d'abord le collier en C de l'essieu.



## Remarques

## Remarques





## WARNING!

**Proper selection of the products listed for sale in this catalog is essential to minimize the risk of any seal, bearing or other product failure. Such failures can result in property damage or severe personal injury to operators of machinery, vehicles or to others. You must carefully evaluate the particular application on or into which you intend to install the products. Products in this catalog require installation by an experienced professional mechanic or qualified maintenance professional.**

The product properties and operating parameters described in this catalogue are based upon tests conducted by SKF or reported by others. SKF does not assume any responsibility for errors in the data published in this catalog. The life and performance of the products ultimately depend on a number of factors. These include, for example, selection of product design type, selection of materials for their different properties, handling and installation, operating conditions, including shaft surface or bore conditions, the quantity, quality and chemistry of lubricants and other factors. Severe environments can adversely affect product life or performance. For help in realizing longer SKF product life, and optimal performance for your specific application, contact SKF's Customer Services Department at 1-800-882-0008.

### LIMITED WARRANTY

SKF warrants to the first purchaser that the products sold by it, when properly installed, will be free from defects in material and workmanship. SKF's sole obligation and liability for any defect found to exist contrary to this limited warranty in a product sold by SKF, and purchaser's sole and exclusive remedy for such defect, shall be limited to: (A) SKF furnishing without additional charge to purchaser, including transportation, a replacement for any of the products sold by SKF which are found by SKF to be defective contrary to this limited warranty, and (B) in the case of products which cannot be repaired or replaced by SKF, SKF shall credit or refund to purchaser the purchase price paid therefore; provided, that SKF is advised in writing of such product non-conformance within thirty (30) days of the date of discovery thereof, and that the non-conforming product is returned f.o.b. to SKF's designated warehouse promptly thereafter, but in any case not later than twelve (12) months (twenty-four (24) months only in the case of light duty hub unit products) from the date of purchase. In no event shall SKF be obligated under this limited warranty or otherwise in any way whatsoever for normal wear and tear, or for any products sold by SKF which, after delivery by SKF and in SKF's sole determination, have been subjected to accident, abuse, misapplication, improper or faulty repair or installation, improper or faulty maintenance or lubrication, any alteration or neglect, excessive loading or other excessive operating conditions, or for defects caused by or resulting from purchaser's specifications or designs or otherwise caused by purchaser. **TO THE FURTHEST EXTENT PERMITTED UNDER APPLICABLE LAW, SKF DISCLAIMS LIABILITY, IN TORT OR CONTRACT, IN NEGLIGENCE, STRICT LIABILITY, OR OTHERWISE, FOR ANY OTHER REMEDY OR DAMAGE, WHETHER DIRECT OR INDIRECT, INCIDENTAL, SPECIAL, EXEMPLARY, OR CONSEQUENTIAL WITH RESPECT TO ITS PERFORMANCE HEREUNDER, INCLUDING WITHOUT LIMITATION THE PRODUCTS SOLD OR PROVIDED HEREUNDER BY SKF, AND ITS PROVISION OF ANY RELATED SERVICES. THIS LIMITED WARRANTY IS TO THE EXCLUSION OF ALL OTHER WARRANTIES, EXPRESS OR IMPLIED, INCLUDING WARRANTIES OF MERCHANTABILITY OR FITNESS FOR A PARTICULAR PURPOSE. COSTS INCURRED FOR ROUTINE MAINTENANCE ARE NOT COVERED BY THIS LIMITED WARRANTY.** Without limiting the generality of the foregoing, SKF specifically disclaims liability to purchaser for any loss, cost, or damage incurred as a result of equipment downtime, or loss of use or availability of worksite, lost revenues or lost profits, regardless of whether SKF is on notice of the possibility of such damage or loss and did or could have anticipated same. No other person has been authorized by SKF to undertake or make on behalf of SKF any further representation, warranty or guarantee in addition to or contrary to this limited warranty or contrary to the limitations and disclaimers provided herein. The exclusive remedies provided in this limited warranty shall not be deemed to have failed of their essential purpose so long as SKF is willing and able to perform to the extent and in the manner prescribed in this limited warranty.

**SOME STATES DO NOT ALLOW LIMITATIONS ON HOW LONG AN IMPLIED WARRANTY LASTS OR THE EXCLUSION OR LIMITATION OF INCIDENTAL OR CONSEQUENTIAL DAMAGES, SO THE ABOVE EXCLUSIONS OR LIMITATIONS MAY NOT APPLY TO YOU.** This limited warranty gives you specific legal rights, and you may also have other rights, which vary state to state.

**INFORMATION AND RETURNS:** This catalog refers to products as designed prior to its publication, and does not cover product changes made after its publication date. Inquiries can be directed to: SKF Customer Service Department, 890 North State Street, Suite 200, Elgin, IL 60123, or call 1-800-882-0008. Any error in shipment (for over-shipments in the quantity of product or for product not matching purchaser's description given in its order) is returnable for credit or replacement by SKF, provided that SKF is advised in writing by purchaser of such non-conformance within 30 days after the product's delivery to purchaser, and only after written authorization therefore is given by SKF. Approved returns must be shipped freight prepaid and arrive in good, saleable condition to qualify for credit or replacement. SKF shall not otherwise be obligated to accept the return of any products sold or distributed by it.

**NOTICE:** The SKF part numbering systems for the SKF products are proprietary to SKF. Any improper or unauthorized use of these numbering systems, including adoption or use of any of their part numbers or part number lists, even where the subject of modification or addition, is strictly prohibited and will be prosecuted by SKF as a violation of U.S. and foreign copyright, trademark and unfair competition laws. In addition, use of any SKF trademarks, trade names or packaging schemes, systems, colors or designs is likewise considered a violation of the trademarks, trade names and trade identities rights of SKF USA Inc. and their affiliates. Possible violation of such use should be brought to the attention of SKF: SKF USA Inc., 890 North State Street, Suite 200, Elgin, Illinois 60123, Attn: Catalog Manager.



## AVERTISSEMENT!

**La bonne sélection des produits vendus dans ce catalogue est essentielle pour minimiser les risques de défaillance des joints, roulements et autres produits. De telles défaillances peuvent entraîner des dégâts matériels ou des lésions corporelles graves aux opérateurs de machines, véhicules ou autres. Il faut évaluer soigneusement l'application particulière sur laquelle ces produits doivent être montés. Les produits de ces catalogues exigent un montage par un mécanicien professionnel expérimenté ou un professionnel qualifié de l'entretien.**

Les propriétés et les paramètres de fonctionnement décrits dans le présent catalogue sont basés sur des essais conduits par SKF ou d'autres. SKF rejette la responsabilité de toute erreur dans les données contenues dans le présent catalogue. La durée de service et le rendement des produits dépendent d'un certain nombre de facteurs. Parmi ceux-ci : la sélection du type de conception de produit, la sélection des matériaux pour leurs différentes propriétés, la manutention et le montage, y compris les états des surfaces d'arbres ou des alésages, la quantité, la qualité et la nature chimique des lubrifiants et d'autres facteurs encore. Les milieux hostiles peuvent influencer négativement sur la durée de service et le rendement des produits. Pour assurer une plus grande longévité des produits SKF et un rendement optimal pour votre application spécifique, se mettre en rapport avec le Customer Service Department (service après-vente) de SKF au 1-800-882-0008.

### GARANTIE LIMITÉE

SKF garantit à l'acheteur initial que les produits vendus seront, dans la mesure où ils sont adéquatement montés, exempts de vices de matière et de façon. La seule obligation et responsabilité concernant tout vice contraire à la présente garantie limitée existant dans un produit vendu par SKF, et le seul recours exclusif de l'acheteur en ce qui concerne un tel vice se limitera à : (A) la fourniture par SKF à titre gratuit pour l'acheteur, y compris en ce qui concerne le transport, d'une pièce de rechange pour tout produit vendu par SKF dont SKF aura déterminé qu'il est défectueux contrairement à la présente garantie limitée et (B) dans le cas où le produit ne peut être réparé ou remplacé par SKF, SKF accordera un avoir ou un remboursement pour la non-conformité dudit produit dans les 30 jours suivant la date de découverte de la défaillance et dans la mesure où le produit non conforme est retourné à l'entrepôt désigné de SKF franco à bord, mais en aucun cas plus de 12 mois après la date d'achat (vingt-quatre (24) mois dans le cas de produits d'unité de moyeu de camionnette légère). SKF ne sera en aucun cas obligé au titre de la présente garantie limitée ou autrement et d'aucune façon pour ce qui est de l'usure normale de tout produit vendu par SKF dont, après la livraison par SKF et à la seule discrétion de SKF, aura fait l'objet d'un accident, d'un usage abusif, d'une mauvaise application d'une réparation ou d'un montage impropre ou défectueux, d'une charge excessive ou d'autres conditions de fonctionnement excessives, ou du fait de vices causés ou résultant des spécifications ou conceptions de l'acheteur ou causés par l'acheteur de toute autre façon. **DANS LE PLUS GRANDE MESURE PERMISE PAR LA LOI, SKF REJETTE LA RESPONSABILITÉ, EN DROIT DE LA RESPONSABILITÉ CIVILE DÉLICTUELLE OU EN DROIT CONTRACTUEL, EN NÉGLIGENCE, RESPONSABILITÉ STRICTE, OU AUTRE, DE TOUTE AUTRE RECOURS OU DOMMAGES, DIRECTS OU INDIRECTS, ACCESSOIRES, SPÉCIAUX, EXEMPLAIRE, OU CONSÉCUTIFS EN CE QUI CONCERNE SA PERFORMANCE AU TITRE DES PRÉSENTES, Y COMPRIS SANS LIMITATION LES PRODUITS VENDUS OU FOURNIS CI-DEDANS PAR SKF, ET SA PRESTATION DE TOUT SERVICE ANNEXE. LA PRÉSENTE GARANTIE LIMITÉE EXCLUE TOUTE AUTRE GARANTIE, EXPRESSE OU IMPLICITE, Y COMPRIS LES GARANTIES DE VALEUR MARCHANDE OU D'ADAPTATION À UNE FIN PARTICULIÈRE. LES COÛTS ENCOURUS POUR L'ENTRETIEN PROGRAMMÉ NE SONT PAS COUVERTS PAR LA PRÉSENTE GARANTIE LIMITÉE.** Sans limiter le caractère général de ce qui précède, SKF rejette spécifiquement toute responsabilité envers l'acheteur pour toute perte, coût ou dommage résultant du temps d'immobilisation du matériel, ou de la perte d'usage ou de disponibilité de chantier, les recettes ou bénéfices perdus, que SKF soit informé ou non de la possibilité de tels dommages ou pertes ou aurait pu prévoir ces derniers. Aucun personne n'a été autorisée par SKF à entreprendre ou à faire de la part de SKF des déclarations de garantie allant au delà ou contrairement à la présente garantie limitée ou contraire aux limitations et dénis de responsabilité énoncés ci-dessus. Les recours exclusifs prévus dans la présente garantie limitée ne seront pas considérés comme ayant manqué à leur objet essentiel dans la mesure où SKF est disposé et capable de remplir ses obligations dans la mesure et de la façon prescrite dans la présente garantie limitée.

**CERTAINS ÉTATS NE PERMETTENT PAS DE LIMITATIONS QUANT À LA DURÉE DE TOUTE GARANTIE IMPLICITE OU QUANT À L'EXCLUSION OU LA LIMITATION DE DOMMAGES ACCESSOIRES OU CONSÉCUTIFS, LES EXCLUSIONS CI-DESSUS PEUVENT DONC NE PAS S'APPLIQUER À VOUS.** La présente garantie limitée vous confère des droits légaux spécifiques et vous pouvez avoir d'autres droits, qui varient d'un état à l'autre.

**RENSEIGNEMENTS ET RETOURS :** Le présent catalogue fait référence à des produits conçus avant sa publication et ne couvre pas les modifications de produits effectuées après sa date de publication. Les demandes de renseignements peuvent être adressées à : SKF Customer Service Department, 890 North State Street, Suite 200, Elgin, IL 60123, ou appeler 1-800-882-0008. Toute erreur d'expédition (pour les expéditions de quantité excessives de produits ou de produits ne correspondant pas à la description donnée par l'acheteur dans sa commande) peut faire l'objet d'un retour contre un avoir ou un remplacement par SKF, dans la mesure où SKF aura été notifié par écrit par l'acheteur de ladite non-conformité dans les 30 jours suivant la livraison du produit à l'acheteur, et seulement après autorisation écrite donnée par SKF. Les retours agréés doivent être expédiés tous frais payés et arriver en bon état propre à la revente pour donner droit à un avoir ou un remplacement. Autrement, SKF ne sera pas tenu d'accepter le retour de tout produit vendu ou distribué par la société.

**AVIS :** Les systèmes de numérotation des pièces SKF pour les produits SKF sont la propriété exclusive de SKF. Tout utilisation non autorisée ou inadéquate de ces systèmes de numérotation, y compris l'adoption ou l'utilisation de tout numéro de pièces ou de listes de numéros de pièces, même dans un but de modification or d'ajout, est strictement interdit et sera poursuivi par SKF comme une contravention aux droits de propriété, à la protection des marques de commerce et un acte de concurrence déloyale aux Etats-Unis comme à l'étranger. En outre, l'utilisation des marques de commerces, des noms commerciaux ou des motifs de conditionnement, systèmes, couleurs ou conceptions SKF sera de même considérée comme une contravention aux droits sur les marques de commerce, noms commerciaux et identité commerciale de SKF USA et de son groupe. Les éventuelles contraventions à ces droits devront être signalées à SKF : SKF USA Inc., 890 North State Street, Suite 200, Elgin, Illinois 60123, Attn: Catalog Manager.

MFG./YEAR	MODEL & LOCATION	PART NO.	MFG./YEAR	MODEL & LOCATION	PART NO.
<b>Wheel Front</b>			<b>Transaxle-Automatic Differential</b>		
1995-1994	Integra:		1995-1987	Integra:	
	Sealed Bearing .....	FW171		Bearing .....	6208-J
	C-Clip .....	CIR171	1995	2.5TL:	
1995	2.5TL & 3.0CL:			Bearing .....	32009-X
	Bearing Assembly .....	FW184	1994-1992	Vigor:	
1995-1991	Legend & 3.2TL:			Bearing .....	32009-X
	Sealed Bearing .....	FW147	1990-1986	Legend:	
1994-1992	Vigor:			Bearing .....	BR30208
	Bearing Assembly .....	FW142	1986	Integra:	
1993-1990	Integra:			Bearing .....	6208-ZJ
	Sealed Bearing .....	FW118	<b>Front Pump</b>		
1990-1988	Legend:		1995-1991	Legend & NSX:	
	Sealed Bearing .....	FW125		Seal .....	17914
1989-1986	Integra:			(Speedi-Sleeve) .....	99181
	Sealed Bearing .....	FW102	1995-1991	2.2CL, 2.5TL & Integra:	
1987	Legend Coupe:			Seal .....	17166
	Sealed Bearing .....	FW125	1994-1992	Vigor:	
1987-1986	Legend Sed.:			Seal .....	17166
	Sealed Bearing .....	FW117	1990-1986	All:	
				Seal .....	17166
<b>Wheel Rear</b>			<b>Mainshaft</b>		
1995-1991	NSX:		1995-1991	1.8L, 2.5L, 3.0L & 3.2L Engs.:	
	Sealed Bearing w/Housing .....	GRW233		Seal .....	16465
1995-1994	Integra w/o ABS:		<b>Output Shaft</b>		
	Hub Assembly .....	BR930127	1995-1991	Legend & 3.5RL; 3.2TL:	
1995-1990	Integra w/ABS:			Seal (L.H.) .....	17919
	Hub Assembly .....	BR930113		Seal (R.H.) .....	21627
1995	2.5TL:			(Speedi-Sleeve) (R.H.) .....	99215
	Hub Assembly .....	BR930174	1995-1991	NSX:	
1995-1991	Legend:			Seal (L.H.) .....	16894
	Hub Assembly .....	BR930123		Seal (R.H.) .....	16019
1994-1992	Vigor:			(Superseded by): .....	16429
	Hub Assembly .....	BR930122	1995-1988	Integra:	
1993-1990	Integra w/o ABS:			Seal (L.H.) .....	15888
	Hub Assembly .....	BR930010		Seal (R.H.) .....	15866
1990-1989	Legend Sed. w/ABS:			(Speedi-Sleeve) (R.H.) .....	99157
	Hub Assembly .....	BR930025	1995	2.5TL:	
1990-1987	Legend Coupe L & LS w/ABS:			Seal .....	15684
	Hub Assembly .....	BR930025		(Speedi-Sleeve) .....	99157
1989-1986	Integra:		1994-1992	Vigor:	
	Hub Assembly .....	BR930032		Seal (L.H.) .....	20216
1988-1986	Legend Sed.:			Seal (R.H.) .....	15684
	Sealed Bearing .....	GRW149		(Speedi-Sleeve) (R.H.) .....	99157
<b>Clutch</b>			1990-1986	Legend:	
<b>Pilot</b>				Seal .....	15829
1995-1991	Legend & NSX:			(Speedi-Sleeve) .....	99157
	Bearing .....	6904-2RSC4	1987-1986	Integra:	
1995-1990	Integra:			Seal .....	15989
	Bearing .....	6002-2RSJ		(Speedi-Sleeve) .....	99157
<b>Release</b>			<b>Pinion</b>		
1995-1991	Legend & NSX:		1995	2.5TL:	
	Bearing Assembly .....	N4050		Seal .....	13495
1995-1994	Integra:			Bearing (Front) .....	BR33208
	Bearing Assembly .....	N4089		Bearing (Rear) .....	32008-X
1993-1990	Integra:		1995-1991	Legend:	
	Bearing Assembly .....	N4018		Seal .....	22823
1990-1986	Legend:			(Speedi-Sleeve) .....	99219
	Bearing Assembly .....	N4045		Bearing (Rear) .....	BR32207
1989-1986	Integra:				(Continued)
	Bearing Assembly .....	N4044			

## Passenger cars, light & medium trucks

### Acura - (Cont.)

MFG./YEAR	MODEL & LOCATION	PART NO.	MFG./YEAR	MODEL & LOCATION	PART NO.
<b>Transaxle-Automatic (Cont.)</b>			<b>Transaxle-Manual (Cont.)</b>		
<b>Pinion (Cont.)</b>			<b>Rear Extension</b>		
1994-1992	Vigor:		1994-1992	Legend:	
	Seal .....	20438		Seal .....	12700
	Bearing (Front) .....	BR33208		(Speedi-Sleeve) .....	99128
	Bearing (Rear) .....	32008-X	<b>Alternator</b>		
<b>Shift Shaft</b>			1995	2.2CL, 2.5TL & 3.5RL; 3.2TL:	
1995-1986	All:			Bearing (Front) .....	AB15
	Seal .....	4710	1995-1991	NSX:	
	(Speedi-Sleeve) .....	99049		Bearing (Front) .....	AB15
<b>Transaxle-Manual</b>			1995-1994	Integra:	
<b>Differential</b>				Bearing (Front) .....	AB15
1995-1990	Integra:		1993-1992	Vigor:	
	Bearing .....	6208-ZJ		Bearing (Front) .....	AB1
1995-1991	Legend & NSX:		1991	Legend:	
	Bearing (R.H.) .....	BR32207		Bearing (Front) .....	AB1
1994-1992	Vigor:		<b>Engine</b>		
	Bearing .....	32009-X	<b>Camshaft</b>		
1990-1986	Legend:		1995-1991	NSX w/3.0L & 3.2L Engs.:	
	Bearing .....	32008-X		Seal .....	11672
1989-1986	Integra:		1995-1991	Legend w/3.2L Eng. & 3.5RL; 3.2TL:	
	Bearing .....	6208-J		Seal .....	13987
<b>Input Shaft</b>				(Speedi-Sleeve) .....	99139
1995-1991	NSX:		1995-1992	Integra GSR Sed. w/1.8L VTEC Eng.; 2.5TL & Vigor:	
	Seal .....	12812		Seal .....	11422
1995-1990	Integra & 2.2CL:		1995-1990	Integra w/1.8L Eng. Exc. GSR:	
	Seal .....	10944		Seal .....	10634
1995-1986	Legend:			(Speedi-Sleeve) .....	99106
	Seal .....	10494	1990-1989	2.7L Eng.:	
	(Speedi-Sleeve) .....	99111		Seal .....	14012
1994-1992	Vigor:			(Speedi-Sleeve) .....	99146
	Seal .....	10944	1989-1987	1.6L Eng.:	
1989-1986	Integra:			Seal .....	10634
	Seal .....	14691		(Speedi-Sleeve) .....	99106
	(Speedi-Sleeve) .....	99147	1988-1986	2.5L & 2.7L Engs.:	
<b>Output Shaft</b>				Seal .....	13907
1995-1991	NSX:			(Speedi-Sleeve) .....	99139
	Seal (L.H.) .....	16019	1986	1.6L Eng.:	
	(Superseded by:) .....	16429		Seal .....	10634
	Seal (R.H.) .....	16894		(Speedi-Sleeve) .....	99106
1995-1990	Integra:		<b>Crankshaft-Rear</b>		
	Seal (L.H.) .....	15888	1995-1990	Integra w/1.8L Eng.; Vigor w/2.5L Eng.; 2.2CL:	
	Seal (R.H.) .....	15989		Seal .....	31511
	(Speedi-Sleeve) (R.H.) .....	99157		(Speedi-Sleeve) .....	99315
1995-1991	Legend:		1995-1989	2.5L & 2.7L Engs. Exc. Vigor; 3.2L Eng.:	
	Seal (L.H.) .....	17919		Seal .....	31507
	Seal (R.H.) .....	22031		(Speedi-Sleeve) .....	99315
1994-1992	Vigor:		1989-1986	1.6L Eng.:	
	Seal (L.H.) .....	20216		Seal .....	31492
	Seal (R.H.) .....	15684		(Speedi-Sleeve) .....	99315
	(Speedi-Sleeve) (R.H.) .....	99157	1988-1986	2.5L & 2.7L Engs.:	
1990-1986	Legend:			Seal .....	31497
	Seal .....	15829		(Speedi-Sleeve) .....	99315
	(Speedi-Sleeve) .....	99157	<b>Timing Belt Idler</b>		
1989-1986	Integra:		1990-1986	Legend:	
	Seal .....	10627		Bearing & Housing Assy. ....	VKM73001
	(Speedi-Sleeve) .....	99106	<b>Timing Belt Tensioner</b>		
			1995-1991	NSX:	
				Bearing & Housing Assy. ....	VKM73606
			(Continued)		

# Passenger cars, light & medium trucks

(Cont.) -- Acura Integra, Legend, NSX, Vigor, 2.2CL, 2.5TL, 3.0CL, 3.2TL, 3.5RL

MFG./YEAR	MODEL & LOCATION	PART NO.	MFG./YEAR	MODEL & LOCATION	PART NO.
<b>Engine (Cont.)</b>			<b>Engine (Cont.)</b>		
<b>Timing Belt Tensioner (Cont.)</b>			<b>Timing Cover</b>		
1995-1992 <b>Integra:</b>			1995-1991 <b>NSX:</b>		
	Bearing & Housing Assy. ....	VKM73201		Seal .....	16496
1995	2.5TL:			(Speedi-Sleeve) .....	99169
	Bearing & Housing Assy. ....	VKM73602	1995-1990 <b>Integra w/1.8L Eng.:</b>		
1995-1991	<b>Legend:</b>			Seal .....	15451
	Bearing & Housing Assy. ....	VKM73004	1995-1986 2.5L, 2.7L & 3.2L Eng. Exc. Vigor:		
1994-1992	<b>Vigor w/2.5L Eng.:</b>			Seal .....	16149
	Bearing & Housing Assy. ....	VKM73602		(Speedi-Sleeve) .....	99163
1989-1986	<b>Integra:</b>		1994-1992 <b>Vigor:</b>		
	Bearing & Housing Assy. ....	VKM73003		Seal .....	16022
1987-1986	<b>Legend w/2.5L Eng.:</b>			(Superseded by).....	16442
	Bearing & Housing Assy. ....	VKM73001	1989-1986 <b>Integra:</b>		
<b>Timing Belt and Tensioner Kit</b>				Seal .....	12301
1995-1994	1.8L VTEC Eng.:			(Speedi-Sleeve) .....	99123
	Belt & Tensioner Kit .....	VKMA93607	<b>Steering-Power</b>		
1995-1990	<b>Integra w/1.8L Eng. Exc. VTEC:</b>		<b>Pump Shaft</b>		
	Belt & Tensioner Kit .....	VKMA43201	1991 <b>Integra:</b>		
1995-1991	<b>Legend w/3.2L Eng.:</b>			Seal .....	6247
	Belt & Tensioner Kit .....	VKMA93012	1991 <b>Legend:</b>		
1990-1987	<b>Legend w/2.7L Eng.:</b>			Seal .....	7205
	Belt & Tensioner Kit .....	VKMA93302	1990-1986 <b>Integra &amp; Legend:</b>		
1989-1986	<b>Integra w/1.6L Eng.:</b>			Seal .....	6247
	Belt & Tensioner Kit .....	VKMA93008			

## Alfa Romeo

### Wheel Front

1994-1982 2000 Spider Veloce:	
Seal .....	15850
Bearing (Inner) .....	BR30206
Bearing (Outer) .....	BR32304
1989-1987 Milano:	
Seal .....	18877
Bearing (Inner) .....	BR8
(Set Components) .....	L45449/L45410
Bearing (Outer) .....	BR2
(Set Components) .....	LM11949/LM11910
1986-1982 GTV6:	
Seal .....	15850
Bearing (Inner) .....	BR6
(Set Components) .....	LM67048/LM67010
Bearing (Outer) .....	BR2
(Set Components) .....	LM11949/LM11910
1981-1976 Spider:	
Seal .....	15850
Bearing (Inner) .....	BR8
(Set Components) .....	L45449/L45410
Bearing (Outer) .....	BR1
(Set Components) .....	LM11749/LM11710
1981-1976 Giulia Coupe:	
Bearing (Inner) .....	BR30206
1977-1976 Alfetta Coupe:	
Bearing (Inner) .....	BR8
(Set Components) .....	L45449/L45410
Bearing (Outer) .....	BR1
(Set Components) .....	LM11749/LM11710
1977-1976 Alfetta GT w/o H.D.:	
Bearing (Outer) .....	BR1
(Set Components) .....	LM11749/LM11710

### Wheel Front (Cont.)

1977-1976 Alfetta w/40mm Sh.:	
Seal .....	15805
Bearing (Inner) .....	BR8
(Set Components) .....	L45449/L45410
Bearing (Outer) .....	BR1
(Set Components) .....	LM11749/LM11710
1975-1974 Alfetta Coupe & GT:	
Bearing (Inner) .....	BR4
(Set Components) .....	L44649/L44610
Bearing (Outer) .....	BR1
(Set Components) .....	LM11749/LM11710
1975-1973 Spider:	
Seal .....	15850
1974-1966 2000:	
Bearing (Inner) .....	BR30207
Bearing (Outer) .....	BR30206
1971-1968 1750:	
Bearing (Inner) .....	BR30206
1968 2600:	
Bearing (Outer) .....	BR32304
1967-1963 Giulia 1300, 1600 & 2600:	
Bearing (Inner) .....	BR30207
Bearing (Outer) .....	BR30206
1963-1955 Giulietta:	
Bearing (Inner) .....	BR30305

### Wheel Rear

1994-1973 Spider:	
Seal .....	13433
Sealed Bearing .....	BR88107
1985-1982 GTV6:	
Seal .....	16503

(Continued)

**Alfa Romeo -- (Cont.)**

MFG./YEAR	MODEL & LOCATION	PART NO.	MFG./YEAR	MODEL & LOCATION	PART NO.
<b>Wheel Rear (Cont.)</b>			<b>Transmission-Manual</b>		
1980-1977	Sprint Veloce:		<b>Shift Shaft</b>		
	Seal .....	16503	1977-1975	Alfetta:	
1979-1973	Giulia & GT Junior:			Seal .....	7005
	Bearing .....	BR88107		(Speedi-Sleeve) .....	99082
1977-1976	Alfetta:		<b>Alternator</b>		
	Seal .....	16503	1981-1965	Giulia 1300 & 1600:	
1977-1971	2000:			Bearing (Front) .....	6203-ZJ
	Bearing .....	BR88107		Bearing (Rear) .....	6201-ZJ
1972-1968	1750:		1977-1971	2000:	
	Bearing .....	BR88107		Bearing (Front) .....	6203-ZJ
<b>Pinion</b>				Bearing (Rear) .....	6201-ZJ
1992-1976	2000 Spider Veloce:		1972-1968	1750:	
	Bearing (Front) .....	BR52		Bearing (Front) .....	6203-ZJ
	(Set Components) .....	M88048/M88010		Bearing (Rear) .....	6201-ZJ
	Bearing (Rear) .....	HM89446/HM89410	<b>Drive Shaft</b>		
1974-1966	2000:		1974-1955	All:	
	Bearing (Front) .....	BR30207		Bearing Only .....	6206-2RSJ
1963-1955	Giulietta 1300:		<b>Engine</b>		
	Bearing (Front) .....	BR30305	<b>Timing Cover</b>		
<b>Differential</b>			1992-1973	Alfetta & Spider:	
1990-1976	GT & 2000 Spider Veloce:			Seal .....	13907
	Bearing .....	BR35		(Speedi-Sleeve) .....	99139
	(Set Components) .....	LM501349/LM501310	<b>Pinion</b>		
1982	Alfetta Coupe:		<b>Front Axle</b>		
	Bearing .....	BR35	1995-1980	All:	
	(Set Components) .....	LM501349/LM501310		Seal .....	18444
1981-1976	Giulia Coupe & Spider:			Bearing (Inner) .....	M802048/M802011
	Bearing .....	BR28150/BR28300		Bearing (Outer) .....	BR52
1977-1976	Alfetta Coupe:			(Set Components) .....	M88048/M88010
	Bearing .....	LM29749/LM29710	<b>Rear Axle</b>		
1974-1966	2000:		1995-1980	All:	
	Bearing .....	BR26882/BR26820		Seal .....	18444
1971-1968	1750:			Bearing (Inner) .....	M802048/M802011
	Bearing .....	BR28150/BR28300		Bearing (Outer) .....	BR52
1969-1964	Giulietta 1300:			(Set Components) .....	M88048/M88010
	Bearing .....	BR28150/BR28300	<b>Pinion</b>		
1968-1962	2600:		<b>Front Axle</b>		
	Bearing .....	BR26882/BR26820	1995-1980	All:	
1963-1955	Giulietta 1300:			Seal .....	18444
	Bearing .....	BR30207		Bearing (Inner) .....	M802048/M802011

**AM General Hummer, Hummer H1**

<b>Wheel Front</b>		<b>Pinion</b>	
1995-1980	All:	<b>Front Axle</b>	
	Seal .....	1995-1980	All:
	Bearing (Inner) .....		Seal .....
	Bearing (Outer) .....		Bearing (Inner) .....
<b>Wheel Rear</b>			Bearing (Outer) .....
1995-1980	All:		(Set Components) .....
	Seal .....	<b>Rear Axle</b>	
	Bearing (Inner) .....	1995-1980	All:
	Bearing (Outer) .....		Seal .....
			Bearing (Inner) .....
			Bearing (Outer) .....
			(Set Components) .....
			(Continued)

# Passenger cars, light & medium trucks

## (Cont.) -- AM General Hummer, Hummer H1

MFG./YEAR	MODEL & LOCATION	PART NO.	MFG./YEAR	MODEL & LOCATION	PART NO.
<b>Differential</b>			<b>Transmission-Automatic</b>		
<b>Front Axle</b>			<b>Front Pump</b>		
1995-1980 All:			1995-1994 4L80E Trans.:		
Bearing .....		BR36	Seal .....		19939
(Set Components) .....	LM603049/LM603012		<b>Shift Shaft</b>		
<b>Rear Axle</b>			1995-1994 4L80E Trans.:		
1995-1980 All:			Seal .....		4912
Bearing .....		BR36	(Speedi-Sleeve) .....		99050
(Set Components) .....	LM603049/LM603012		(Speedi-Sleeve/Seal Kit) .....		480050
<b>Transfer Case</b>			<b>Engine</b>		
<b>Kit</b>			<b>Crankshaft-Rear</b>		
1995-1992 242:			1995-1993 Diesel Eng.:		
Transfer Case Kit .....		STCK242-AA	Seal .....		45210
<b>Front Output Shaft</b>			(Speedi-Sleeve) .....		99452
1995-1980 All:			1995 Gas Eng.:		
Seal .....		18662	Seal (Viton) .....		37026
(Speedi-Sleeve) .....		99187	(Speedi-Sleeve) (Viton) .....		99369
Bearing .....		6207-J	Seal .....		37027
Bearing (Pilot) .....		J2416	(Speedi-Sleeve) .....		99364
<b>Input Shaft</b>			<b>Accessory Drive Belt Idler</b>		
1995-1994 All:			1995-1994 5.7L & 6.5L Engs.:		
Seal .....		19244	Bearing (Pulley) .....		VKM900022
Seal (Double Lip) .....		19255	<b>Timing Cover</b>		
(Speedi-Sleeve) (Double Lip) .....		99193	1995-1993 Diesel Eng.:		
Bearing .....		6010-NRJ	Seal .....		23300
Bearing (Pilot) .....		FC66561	(Speedi-Sleeve) .....		99233
1994-1980 1st Design:			(Speedi-Sleeve/Seal Kit) .....		480233
Seal .....		19244	1995 Gas Eng.:		
Seal (Double Lip) .....		19255	Seal .....		17286
(Speedi-Sleeve) (Double Lip) .....		99193	(Speedi-Sleeve) .....		99176
Bearing (Pilot) .....		FC66561	(Speedi-Sleeve/Seal Kit) .....		480177
<b>Oil Pump</b>					
1995-1980 All:					
Seal .....		22306			
(Speedi-Sleeve) .....		99225			
<b>Rear Output Shaft</b>					
1995-1980 All:					
Bearing .....		6206-J			

## American Motors Ambassador

<b>Wheel Front</b>		
1974	Bendix Disc Brks.:	
Seal .....		19500
Bearing (Inner) .....		BR17
(Set Components) .....	L68149/L68111	
Bearing (Outer) .....		BR16
(Set Components) .....	LM12749/LM12711	
1974-1973	Kelsey Hayes Disc Brks.:	
Seal .....		16659
Bearing (Inner) .....		BR6
(Set Components) .....	LM67048/LM67010	
Bearing (Outer) .....		BR2
(Set Components) .....	LM11949/LM11910	
1972-1958	All:	
Seal .....		16659
Bearing (Inner) .....		BR6
(Set Components) .....	LM67048/LM67010	
Bearing (Outer) .....		BR2
(Set Components) .....	LM11949/LM11910	

<b>Wheel Rear</b>		
1974-1965	All:	
Seal (Inner) .....		13839
Seal (Outer) .....		13508
Bearing .....		BR5
(Set Components) .....	LM48548/LM48510	
1964-1963	All:	
Seal (Inner) .....		13862
Seal (Outer) .....		13508
Bearing .....		BR5
(Set Components) .....	LM48548/LM48510	
1962-1960	All:	
Seal (Inner) .....		13862
Seal (Outer) .....		13662
Bearing .....		BR5
(Set Components) .....	LM48548/LM48510	

(Continued)

**American Motors Ambassador -- (Cont.)**

MFG./YEAR	MODEL & LOCATION	PART NO.	MFG./YEAR	MODEL & LOCATION	PART NO.
<b>Wheel Rear (Cont.)</b>			<b>Transmission-Automatic (Cont.)</b>		
<b>1959-1958 All:</b>			<b>Rear</b>		
	Seal (Inner) .....	13862	1974-1972	258 & 304 Engs. w/o H.D.:	
	Seal (Outer) .....	13508		Seal .....	15546
	Bearing .....	BR5		(Speedi-Sleeve) .....	99156
	(Set Components) .....	LM48548/LM48510	1974-1972	258 & 304 Engs. w/H.D.:	
<b>Pinion</b>				Seal .....	16725
<b>1974-1965 All:</b>				(Speedi-Sleeve) .....	99168
	Seal .....	18444		(Speedi-Sleeve/Seal Kit) .....	480168
	Bearing (Front) .....	BR52	1974-1972	360 & 401 Engs.:	
	(Set Components) .....	M88048/M88010		Seal .....	16725
	Bearing (Rear) .....	M802048/M802011		(Speedi-Sleeve) .....	99168
<b>1964-1958 All:</b>				(Speedi-Sleeve/Seal Kit) .....	480168
	Seal .....	18444	1971-1970	304 Eng.:	
	Bearing (Front) .....	BR31590/BR31520		Seal .....	15005
	Bearing (Rear) .....	BR3877/BR3820		(Speedi-Sleeve) .....	99149
<b>Differential</b>				(Speedi-Sleeve/Seal Kit) .....	480152
<b>1974-1965 All:</b>			1971-1967	343, 360, 390 & 401 Engs.:	
	Bearing .....	[2] BR36		Seal .....	16871
	(Set Components) .....	LM603049/LM603012		(Speedi-Sleeve) .....	99168
<b>1964-1958 All:</b>			1971-1967	6 Cyl. Eng.:	
	Bearing .....	[2] BR25580/BR25523		Seal .....	15005
<b>Clutch</b>				(Speedi-Sleeve) .....	99149
<b>Release</b>				(Speedi-Sleeve/Seal Kit) .....	480152
1974	Trans. Coded DR, FE, FH, GH, GM, GN, GP, GU & GV:		1966-1958	All:	
	Bearing Assembly .....	N1439		Seal .....	16871
1974-1973	Trans. Coded 13-02-000-066, 067, 068, 069, 070, 071, 072, 078, 081, 083 & 085:			(Speedi-Sleeve) .....	99168
	Bearing Only .....	N1054	<b>Shift Shaft</b>		
	Bearing Assembly .....	N1491	1972-1963	8 Cyl. Eng.:	
1972-1970	All:			Seal .....	7556
	Bearing Only .....	N1054		(Speedi-Sleeve) .....	99076
	Bearing Assembly .....	N1491	1961-1958	All:	
1969-1967	8 Cyl. Eng.:			Seal .....	3645
	Bearing Assembly .....	N1701	<b>Transmission-Manual</b>		
1969-1964	6 Cyl. Eng.:		<b>Countershaft</b>		
	Bearing Only .....	N1054	1974-1973	Trans. Coded 13-02-000-066, 067, 068, 069, 070, 072, 078, 081, 083 & 085:	
	Bearing Assembly .....	N1491		Bearing .....	[44] C407-Q
1966-1958	8 Cyl. Eng.:		1972-1968	T14 Trans.:	
	Bearing Only .....	N1136		Bearing .....	[44] C407-Q
<b>Transmission-Automatic</b>			1966	w/o T85D Trans.:	
<b>Front Pump</b>				Bearing .....	[44] C407-Q
1974	304 Eng. w/Trans. Tag No. 3222777:		1965	287 Eng.:	
	Seal .....	18508		Bearing .....	[44] C407-Q
1974	304 Eng. w/Trans. Tag Nos. 3222776, 3223761:		<b>Front</b>		
	Seal .....	15022	1974-1973	3 Spd. Trans.:	
	(Speedi-Sleeve) .....	99149		Seal .....	11123
1974-1972	8 Cyl. Exc. 304 Eng.:			(Speedi-Sleeve) .....	99112
	Seal .....	18508		Bearing .....	■ N6307-NJX
1971-1964	6 Cyl. Eng.:		1972-1967	All:	
	Seal .....	16696		Seal .....	11123
	(Speedi-Sleeve) .....	99168		(Speedi-Sleeve) .....	99112
1971-1960	8 Cyl. Eng.:			Bearing .....	■ N6307-NJX
	Seal .....	19240	1966	T85D Trans.:	
	(Speedi-Sleeve) .....	99193		Seal .....	11123
				(Speedi-Sleeve) .....	99112
				Bearing .....	6307-NRJ
			1966	T86E Trans.:	
				Seal .....	11123
				(Speedi-Sleeve) .....	99112
					(Continued)



MFG./YEAR	MODEL & LOCATION	PART NO.	MFG./YEAR	MODEL & LOCATION	PART NO.
<b>Transmission-Manual (Cont.)</b>			<b>Alternator</b>		
<b>Front (Cont.)</b>			<b>1974-1973 Delco Remy:</b>		
1966	T90G Trans.:		Bearing (Front) .....		6203-ZJ
	Seal .....	11123	Bearing (Rear) .....		MNJ471-S
	(Speedi-Sleeve) .....	99112	<b>1974-1967 Motorola:</b>		
	Bearing .....	207-ZNRJ	Bearing (Front) .....		6203-RSZJ
1966	T96H & J Trans.:		Bearing (Rear) .....		6200-J
	Seal .....	11123	<b>1972-1967 Ambassador w/o Motorola Alt.:</b>		
	(Speedi-Sleeve) .....	99112	Bearing (Front) .....		6200-2RSJ
	Bearing .....	■ N6307-NJX	Bearing (Rear) .....		6203-RSZJ
1965-1964	232 & 287 Eng.:		<b>1966-1960 All:</b>		
	Seal .....	11123	Bearing (Front) .....		6203-RSZJ
	(Speedi-Sleeve) .....	99112	Bearing (Rear) .....		6200-J
	Bearing .....	207-ZNRJ	<b>Engine</b>		
1965-1964	327 Eng.:		<b>Crankshaft-Rear</b>		
	Seal .....	11123	<b>1971-1964 6 Cyl. Eng.:</b>		
	(Speedi-Sleeve) .....	99112	Seal .....		◇208
	Bearing .....	6307-NRJ	(Superseded by:)		808
1963-1958	All:		<b>1966-1960 8 Cyl. Eng.:</b>		
	Bearing .....	6307-NRJ	Seal .....		19220
<b>Mainshaft Pilot</b>			(Speedi-Sleeve) .....		99193
1966	3 Spd. T86E & T90G Trans.:		<b>Timing Cover</b>		
	Bearing .....	[14] QBR23549	<b>1974-1966 8 Cyl. Eng.:</b>		
1965-1964	232 & 287 Eng.:		Seal .....		19799
	Bearing .....	[14] QBR23549	(Speedi-Sleeve) .....		99199
<b>Rear</b>			<b>1971-1964 6 Cyl. Eng.:</b>		
1974-1973	3 Spd. Trans.:		Seal .....		17806
	Seal .....	16871	(Speedi-Sleeve) .....		99179
	(Speedi-Sleeve) .....	99168	<b>1965-1958 8 Cyl. Eng.:</b>		
1974-1967	4 Spd. Trans.:		Seal .....		19220
	Seal .....	16871	(Speedi-Sleeve) .....		99193
	(Speedi-Sleeve) .....	99168	<b>Steering-Power</b>		
1972-1966	3 Spd. Trans.:		<b>Pitman Shaft</b>		
	Seal .....	15005	<b>1974-1960 All:</b>		
	(Speedi-Sleeve) .....	99149	Seal (Inner) .....		12371
	(Speedi-Sleeve/Seal Kit) .....	480152	Seal (Outer) .....		12355
1965	232 & 287 Eng.:		Seal Kit .....		12392
	Seal .....	16871	<b>Pump Shaft</b>		
	(Speedi-Sleeve) .....	99168	<b>1974-1971 8 Cyl. Eng. w/Saginaw Pump:</b>		
	Bearing .....	■ 6207-ZNJ	Seal .....		7475
1965	327 Eng.:		<b>1972-1966 8 Cyl. Eng. w/Eaton Pump:</b>		
	Seal .....	16871	Seal .....		7465
	(Speedi-Sleeve) .....	99168	<b>1971-1968 6 Cyl. Eng.:</b>		
	Bearing .....	6307-J	Seal .....		7475
1964-1958	3 Spd. Trans.:		<b>1967-1966 6 Cyl. Eng.:</b>		
	Seal .....	16871	Seal .....		8019
	(Speedi-Sleeve) .....	99168	<b>1965-1964 All:</b>		
<b>Reverse Idler</b>			Seal .....		7465
1967	T96J Trans.:		<b>1963-1960 All:</b>		
	Bearing .....	[44] C407-Q	Seal .....		7440
<b>Shift Shaft</b>			<b>1959-1958 8 Cyl. Eng. w/Eaton Pump:</b>		
1966-1960	Main Unit:		Seal .....		7440
	Seal .....	6130	<b>1959-1958 8 Cyl. Eng. w/Vickers Pump:</b>		
	(Speedi-Sleeve) .....	99062	Seal .....		5046
1966-1960	O/D Trans.:		<b>Steering-Standard</b>		
	Seal .....	3050	<b>Housing</b>		
<b>Air Conditioning Clutch</b>			<b>1974-1960 All:</b>		
1964-1960	All:		Seal .....		7474
	Bearing .....	5106-WCC			(Continued)

**American Motors Ambassador -- (Cont.)**

MFG./YEAR	MODEL & LOCATION	PART NO.	MFG./YEAR	MODEL & LOCATION	PART NO.
<b>Steering-Standard (Cont.)</b>					
<b>Pitman Shaft</b>					
1974-1958 All:					
	Seal .....	11055			
<b>Worm Shaft</b>					
1974-1958 All:					
	Seal .....	7481			

**American Motors American, AMX (thru 1974), Javelin**

<b>Wheel Front</b>		
1974-1958 All:		
	Seal .....	16659
	Bearing (Inner) .....	BR6
	(Set Components) .....	LM67048/LM67010
	Bearing (Outer) .....	BR2
	(Set Components) .....	LM11949/LM11910
<b>Wheel Rear</b>		
1974-1967 8 Cyl. Eng.:		
	Seal (Inner) .....	13839
	Seal (Outer) .....	13508
	Bearing .....	BR5
	(Set Components) .....	LM48548/LM48510
1974-1962 6 Cyl. Eng.:		
	Seal (Inner) .....	12582
	Seal (Outer) .....	12685
	Bearing .....	BR6
	(Set Components) .....	LM67048/LM67010
1961-1958 All:		
	Seal (Inner) .....	12582
	Seal (Outer) .....	12334
	Bearing .....	BR6
	(Set Components) .....	LM67048/LM67010
<b>Pinion</b>		
1974-1970 6 Cyl. Eng.:		
	Seal .....	18444
	Bearing (Front) .....	M86649/M86610
	Bearing (Rear) .....	BR90
	(Set Components) .....	HM88648/HM88610
1974-1967 8 Cyl. Eng.:		
	Seal .....	18444
	Bearing (Front) .....	BR52
	(Set Components) .....	M88048/M88010
	Bearing (Rear) .....	M802048/M802011
1969-1964 6 Cyl. Eng.:		
	Bearing (Front) .....	M86649/M86610
	Bearing (Rear) .....	BR90
	(Set Components) .....	HM88648/HM88610
1963-1961 6 Cyl. Eng.:		
	Bearing (Front) .....	M86649/M86610
	Bearing (Rear) .....	HM88649/HM88610
1960 6 Cyl. Eng. Type I:		
	Bearing (Front) .....	BR02474/BR02420
1960 6 Cyl. Eng. Types II & III:		
	Bearing (Front) .....	M86649/M86610
	Bearing (Rear) .....	HM88649/HM88610

**Differential**

1974-1967 8 Cyl. Eng.:		
	Bearing .....	[2] BR36
	(Set Components) .....	LM603049/LM603012

**Differential (Cont.)**

1974-1964 6 Cyl. Eng.:		
	Bearing .....	[2] BR72
	(Set Components) .....	LM501349/LM501314
1963-1961 6 Cyl. Eng.:		
	Bearing .....	[2] LM501349/LM501311
1960 6 Cyl. Eng. Type I:		
	Bearing .....	[2] BR24780/BR24721
1960 6 Cyl. Types II & III:		
	Bearing .....	[2] LM501349/LM501311
<b>Kit</b>		
1970	AMC 20 Axle:	
	Standard Seal and Bearing Kit Rear .....	SDK311-J

**Clutch**

<b>Release</b>		
1974 Trans. Coded DR, FE, FH, FJ, GM, GN, GP, GS, GU, GV & LT:		
	Bearing Assembly .....	N1439
1974-1973 Trans. Coded 13-02-000-066, 067, 068, 069, 070, 071, 072, 078, 081, 083 & 085:		
	Bearing Only .....	N1054
	Bearing Assembly .....	N1491
1972-1970 All:		
	Bearing Only .....	N1054
	Bearing Assembly .....	N1491
1969-1967 6 Cyl. Eng.:		
	Bearing Assembly .....	N1701
1966-1960 6 Cyl. Eng.:		
	Bearing Only .....	N1054
	Bearing Assembly .....	N1491
1959-1958 All:		
	Bearing Only .....	N1054

**Transmission-Automatic**

<b>Front Pump</b>		
1974-1973 232 Eng.:		
	Seal .....	15022
	(Speedi-Sleeve) .....	99149
1974-1973 258 Eng.:		
	Seal .....	18508
1974-1973 8 Cyl. Eng.:		
	Seal .....	18508
1972 232, 258, 290 & 304 Eng.:		
	Seal .....	15022
	(Speedi-Sleeve) .....	99149
1972 360, 390 & 401 Eng.:		
	Seal .....	18508
1971-1970 8 Cyl. 304 Eng.:		
	Seal .....	16696
	(Speedi-Sleeve) .....	99168

(Continued)

# Passenger cars, light & medium trucks

## (Cont.) -- American Motors American, AMX (thru 1974), Javelin

MFG./YEAR	MODEL & LOCATION	PART NO.	MFG./YEAR	MODEL & LOCATION	PART NO.
<b>Transmission-Automatic (Cont.)</b>			<b>Transmission-Manual (Cont.)</b>		
<b>Front Pump (Cont.)</b>			<b>Front</b>		
<b>1971-1967 8 Cyl. Exc. 304 Eng.:</b>			<b>1974-1966 All:</b>		
	Seal .....	19240		Seal .....	11123
	(Speedi-Sleeve) .....	99193		(Speedi-Sleeve) .....	99112
<b>1971-1960 6 Cyl. Eng.:</b>				Bearing .....	■ N6307-NJX
	Seal .....	16696	<b>1965-1960 All:</b>		
	(Speedi-Sleeve) .....	99168		Seal .....	11209
<b>Rear</b>				(Speedi-Sleeve) .....	99112
<b>1974-1973 232 Eng.:</b>				Bearing .....	207-NRJ
	Seal .....	15546	<b>Mainshaft Pilot</b>		
	(Speedi-Sleeve) .....	99156	<b>1966 T86E &amp; T90G Trans.:</b>		
<b>1974-1973 258 Eng.:</b>				Bearing .....	[14] QBR23549
	Seal .....	16725	<b>1961-1958 w/o H.D. Trans.:</b>		
	(Speedi-Sleeve) .....	99168		Bearing .....	[13] C1110-Q
	(Speedi-Sleeve/Seal Kit) .....	480168	<b>1960-1959 H.D. Trans.:</b>		
<b>1974-1973 304 Eng. Exc. Trans. Tag No. 3222777:</b>				Bearing .....	[14] QBR23549
	Seal .....	15546	<b>Rear</b>		
	(Speedi-Sleeve) .....	99156	<b>1974-1973 3 Spd. Trans. Coded DR, FE, FH, FJ, GM, GN, GP, GS, GU, GV &amp; LT:</b>		
<b>1974-1973 304 Eng. w/Trans. Tag No. 3222777:</b>				Seal .....	15041
	Seal .....	16725		(Speedi-Sleeve) .....	99149
	(Speedi-Sleeve) .....	99168		(Speedi-Sleeve/Seal Kit) .....	480150
	(Speedi-Sleeve/Seal Kit) .....	480168	<b>1974-1973 3 Spd. Trans. Coded 13-02-000-066, 067, 068, 069, 070, 071, 072, 078, 081, 083 &amp; 085:</b>		
<b>1974-1972 360, 390 &amp; 401 Eng.:</b>				Seal .....	15546
	Seal .....	16725		(Speedi-Sleeve) .....	99156
	(Speedi-Sleeve) .....	99168	<b>1974-1967 4 Spd. Trans.:</b>		
	(Speedi-Sleeve/Seal Kit) .....	480168		Seal .....	16871
<b>1972 232, 258, 290 &amp; 304 Eng.:</b>				(Speedi-Sleeve) .....	99168
	Seal .....	15535	<b>1972-1966 3 Spd. Trans. w/o O/D:</b>		
	(Speedi-Sleeve) .....	99156		Seal .....	15005
<b>1971-1967 290 &amp; 304 Eng.:</b>				(Speedi-Sleeve) .....	99149
	Seal .....	15005		(Speedi-Sleeve/Seal Kit) .....	480152
	(Speedi-Sleeve) .....	99149	<b>1967-1966 3 Spd. Trans. w/O/D &amp; 199 Eng.:</b>		
	(Speedi-Sleeve/Seal Kit) .....	480152		Seal .....	15093
<b>1971-1967 343, 360, 390 &amp; 401 Eng.:</b>				(Speedi-Sleeve) .....	99149
	Seal .....	16871	<b>1965-1964 All:</b>		
	(Speedi-Sleeve) .....	99168		Seal .....	15093
<b>1971-1960 6 Cyl. Eng.:</b>				(Speedi-Sleeve) .....	99149
	Seal .....	15005		Bearing .....	6206-ZNRJ
	(Speedi-Sleeve) .....	99149	<b>1963-1958 All:</b>		
	(Speedi-Sleeve/Seal Kit) .....	480152		Seal .....	15005
<b>Shift Shaft</b>				(Speedi-Sleeve) .....	99149
<b>1972-1967 8 Cyl. Eng.:</b>				(Speedi-Sleeve/Seal Kit) .....	480152
	Seal .....	7556		Bearing .....	6206-ZNRJ
	(Speedi-Sleeve) .....	99076	<b>Reverse Idler</b>		
<b>1961-1958 All:</b>			<b>1974-1973 3 Spd. Trans. Coded 13-02-000-066, 067, 068, 069, 070, 071, 072, 078, 081, 083 &amp; 085:</b>		
	Seal .....	3645		Bearing .....	[44] C407-Q
<b>Transmission-Manual</b>			<b>1972-1967 3 Spd. T14, T96 J &amp; K Trans.:</b>		
<b>Countershaft</b>				Bearing .....	[44] C407-Q
<b>1974-1973 3 Spd. Trans. Coded 13-02-000-066, 067, 068, 069, 070, 071, 072, 078, 081, 083 &amp; 085:</b>			<b>Shift Shaft</b>		
	Bearing .....	[40] C407-Q	<b>1966-1960 Main Unit:</b>		
<b>1972-1967 w/o T15 Trans. &amp; 360 Eng.:</b>				Seal .....	6130
	Bearing .....	[44] C407-Q		(Speedi-Sleeve) .....	99062
<b>1966 3 Spd. T86E &amp; T90G Trans.:</b>			<b>1966-1960 O/D Unit:</b>		
	Bearing .....	[44] C407-Q		Seal .....	3050
<b>1966 3 Spd. T96 C, F, H &amp; J Trans.:</b>					
	Bearing .....	[40] C407-Q			
<b>1965-1958 All:</b>					
	Bearing .....	[40] C407-Q			

(Continued)

## Passenger cars, light & medium trucks

### American Motors American, AMX (thru 1974), Javelin -- (Cont.)

MFG./YEAR	MODEL & LOCATION	PART NO.	MFG./YEAR	MODEL & LOCATION	PART NO.
<b>Air Conditioning Clutch</b>			<b>Steering-Power (Cont.)</b>		
1974-1960 All:			<b>Pump Shaft</b>		
	Bearing .....	5106-WCC	1974-1972 All:		
<b>Alternator</b>			Seal .....		
1974-1973 Delco Remy:			1971 8 Cyl. Eng. w/Eaton Pump:		
	Bearing (Front) .....	6203-ZJ	Seal .....		
	Bearing (Rear) .....	MNJ471-S	1971 8 Cyl. Eng. w/Saginaw Pump:		
1974-1973 Motorcraft:			Seal .....		
	Bearing (Front) .....	6203-2RSJ	1971-1967 6 Cyl. Eng.:		
	Bearing (Rear) .....	MNJ471-S	Seal .....		
1974-1973 Motorola:			1970-1967 8 Cyl. Eng.:		
	Bearing (Front) .....	6203-RSZJ	Seal .....		
	Bearing (Rear) .....	6200-J	1966-1960 6 Cyl. Eng. w/1.875" Oil Filler Tube:		
1972-1967 Exc. AMC:			Seal .....		
	Bearing (Front) .....	6203-RSZJ	1966-1960 6 Cyl. Eng. w/2.125" Oil Filler Tube:		
	Bearing (Rear) .....	6200-J	Seal .....		
1972-1967 AMC:			1959-1958 Eaton Pump:		
	Bearing (Front) .....	6200-2RSJ	Seal .....		
	Bearing (Rear) .....	6203-RSZJ	1959-1958 Vickers Pump:		
1966-1960 All:			Seal .....		
	Bearing (Front) .....	6203-RSZJ	<b>Worm Shaft</b>		
	Bearing (Rear) .....	6200-J	1974-1960 All:		
<b>Engine</b>			Seal .....		
<b>Crankshaft-Rear</b>			<b>Steering-Standard</b>		
1974-1960 6 Cyl. Eng.:			<b>Housing</b>		
	Seal .....	✧208	1968-1967 Worm Ball Adjustment:		
	(Superseded by:)	808	Seal .....		
<b>Timing Cover</b>			<b>Pitman Shaft</b>		
1974-1967 8 Cyl. Eng.:			1974-1968 All:		
	Seal .....	19799	Seal .....		
	(Speedi-Sleeve) .....	99199	1967 8 Cyl. Eng.:		
1974-1959 6 Cyl. Eng.:			Seal .....		
	Seal .....	17806	1967-1962 6 Cyl. Eng.:		
	(Speedi-Sleeve) .....	99179	Seal .....		
1958 All:			1961-1958 All:		
	Seal .....	17231	Seal .....		
	(Speedi-Sleeve) .....	99174	<b>Worm Shaft</b>		
<b>Steering-Power</b>			1974-1960 All:		
<b>Pitman Shaft</b>			Seal .....		
1974-1960 All:			Seal .....		
	Seal (Inner) .....	12371	Seal .....		
	Seal (Outer) .....	12355	Seal .....		
	Seal Kit .....	12392	Seal .....		
1959-1958 All:			Seal .....		
	Seal .....	11065	Seal .....		

### American Motors AMX (from 1978), Concord, Gremlin, Hornet, Pacer, Spirit

Wheel Front	Wheel Front (Cont.)
1983-1979 All:	
Seal .....	16659
Bearing (Inner) .....	BR6
(Set Components) .....	LM67048/LM67010
Bearing (Outer) .....	BR2
(Set Components) .....	LM11949/LM11910
1978-1974 Bendix Disc Brks. (Bendix Cast on Hsg.):	
Seal .....	19500
Bearing (Inner) .....	BR17
(Set Components) .....	L68149/L68111
Bearing (Outer) .....	BR16
(Set Components) .....	LM12749/LM12711
1976-1973 Drum Brks.:	
Seal .....	16659
Bearing (Inner) .....	BR6
(Set Components) .....	LM67048/LM67010
Bearing (Outer) .....	BR2
(Set Components) .....	LM11949/LM11910
(Continued)	

# Passenger cars, light & medium trucks

(Cont.) -- American Motors AMX (from 1978), Concord, Gremlin, Hornet, Pacer, Spirit

MFG./YEAR	MODEL & LOCATION	PART NO.	MFG./YEAR	MODEL & LOCATION	PART NO.
<b>Wheel Front (Cont.)</b>			<b>Pinion (Cont.)</b>		
<b>1976-1973 Kelsey Hayes Disc Brks.:</b>			<b>1974-1970 6 Cyl. Eng.:</b>		
	Seal .....	16659		Seal .....	18444
	Bearing (Inner) .....	BR6		Bearing (Front) .....	M86649/M86610
	(Set Components) .....	LM67048/LM67010		Bearing (Rear) .....	BR90
	Bearing (Outer) .....	BR2		(Set Components) .....	HM88648/HM88610
	(Set Components) .....	LM11949/LM11910	<b>Differential</b>		
<b>1972-1970 All:</b>			<b>1983-1970 4 &amp; 6 Cyl. Eng.:</b>		
	Seal .....	16659		Bearing .....	[2] BR72
	Bearing (Inner) .....	BR6		(Set Components) .....	LM501349/LM501314
	(Set Components) .....	LM67048/LM67010	<b>1979-1970 8 Cyl. Eng.:</b>		
	Bearing (Outer) .....	BR2		Bearing .....	[2] BR36
	(Set Components) .....	LM11949/LM11910		(Set Components) .....	LM603049/LM603012
<b>Wheel Rear</b>			<b>Kit</b>		
<b>1983-1977 4 &amp; 6 Cyl. Eng.:</b>			<b>1983-1980 Dana 35 Axle:</b>		
	Seal (Inner) .....	12582		Standard Seal and Bearing Kit Rear .....	SDK335
	Seal (Outer) .....	12685	<b>1979-1978 AMC 20 Axle:</b>		
	Bearing .....	BR6		Standard Seal and Bearing Kit Rear .....	SDK311-J
	(Set Components) .....	LM67048/LM67010	<b>1976-1970 AMC 20 Axle:</b>		
<b>1979-1970 8 Cyl. Eng.:</b>				Standard Seal and Bearing Kit Rear .....	SDK311-J
	Seal (Inner) .....	13839	<b>Clutch</b>		
	Seal (Outer) .....	13508	<b>Release</b>		
	Bearing .....	BR5	<b>1983 4 Cyl. AMC Eng.:</b>		
	(Set Components) .....	LM48548/LM48510		Bearing Assembly .....	N3060
<b>1976 6 Cyl. Eng. w/.406" Bolt Hole Dia.:</b>			<b>1983-1980 6 Cyl. Eng.:</b>		
	Seal (Inner) .....	12582		Bearing Assembly .....	N1444
	Bearing .....	BR6		(Self-Aligning) .....	N1444-SA
	(Set Components) .....	LM67048/LM67010	<b>1982-1980 4 Cyl. GM Eng.:</b>		
<b>1976 6 Cyl. Eng. w/.484" Bolt Hole Dia.:</b>				Bearing Assembly .....	N2002
	Seal (Inner) .....	12582	<b>1979-1977 4 Cyl. Eng.:</b>		
	Seal (Outer) .....	12685		Bearing Only .....	N1054
	Bearing .....	BR6		(Self-Aligning) .....	N1705-SA
	(Set Components) .....	LM67048/LM67010	<b>1979-1977 6 &amp; 8 Cyl. Eng.:</b>		
<b>1975-1970 6 Cyl. Eng.:</b>				Bearing Assembly .....	N1444
	Seal (Inner) .....	12582		(Self-Aligning) .....	N1444-SA
	Seal (Outer) .....	12685	<b>1976-1974 Trans. Coded FE, FH, FJ, GH, GM, GN, GP, GU, GV 13-02-000-081, 083 &amp; 085:</b>		
	Bearing .....	BR6		Bearing Assembly .....	N1439
	(Set Components) .....	LM67048/LM67010	<b>1976-1973 Trans. Coded 13-02-000-066, 067, 068, 069, 070, 072 &amp; 078:</b>		
<b>Pinion</b>				Bearing Only .....	N1054
<b>1983-1980 All:</b>				Bearing Assembly .....	N1491
	Seal .....	18444	<b>1972-1970 All:</b>		
	Bearing (Front) .....	M86649/M86610		Bearing Only .....	N1054
	Bearing (Rear) .....	BR90		Bearing Assembly .....	N1491
	(Set Components) .....	HM88648/HM88610	<b>Transmission-Automatic</b>		
<b>1979-1976 w/o 8 Cyl. Eng.:</b>			<b>Front Pump</b>		
	Seal .....	18444	<b>1983-1979 All:</b>		
	Bearing (Front) .....	M86649/M86610		Seal .....	15022
	Bearing (Rear) .....	BR90		(Speedi-Sleeve) .....	99149
	(Set Components) .....	HM88648/HM88610	<b>1978-1973 4 &amp; 6 Cyl. Eng. Exc. 258 Eng.:</b>		
<b>1979-1970 8 Cyl. Eng.:</b>				Seal .....	15022
	Seal .....	18444		(Speedi-Sleeve) .....	99149
	Bearing (Front) .....	BR52	<b>1978-1973 8 Cyl. Eng.:</b>		
	(Set Components) .....	M88048/M88010		Seal .....	18508
	Bearing (Rear) .....	M802048/M802011	<b>1974-1973 6 Cyl. 258 Eng.:</b>		
<b>1975 6 Cyl. Eng.:</b>				Seal .....	18508
	Seal (1.563" Shaft) .....	15761			(Continued)
	(Speedi-Sleeve) (1.563" Shaft) .....	99156			
	Seal (1.844" Shaft) .....	18444			
	Bearing (Front) .....	M86649/M86610			
	Bearing (Rear) .....	BR90			
	(Set Components) .....	HM88648/HM88610			

**American Motors AMX (from 1978), Concord, Gremlin, Hornet, Pacer, Spirit -- (Cont.)**

MFG./YEAR	MODEL & LOCATION	PART NO.	MFG./YEAR	MODEL & LOCATION	PART NO.
<b>Transmission-Automatic (Cont.)</b>			<b>Transmission-Manual (Cont.)</b>		
<b>Front Pump (Cont.)</b>			<b>Front (Cont.)</b>		
1972	232, 258, 290 & 304 Engs.:		1972-1970	All:	
	Seal .....	15022		Seal .....	11123
	(Speedi-Sleeve) .....	99149		(Speedi-Sleeve) .....	99112
1972	360, 390 & 401 Engs.:			Bearing .....	■ N6307-NJX
	Seal .....	18508	<b>Rear</b>		
1971-1970	232, 258, 290 & 304 Engs.:		1983-1981	Warner Trans.:	
	Seal .....	16696		Seal .....	15546
	(Speedi-Sleeve) .....	99168		(Speedi-Sleeve) .....	99156
1971-1970	343, 360, 390 & 401 Engs.:		1982-1980	w/o Warner Trans.:	
	Seal .....	19240		Seal .....	15041
	(Speedi-Sleeve) .....	99193		(Speedi-Sleeve) .....	99149
				(Speedi-Sleeve/Seal Kit) .....	480150
<b>Rear</b>			1979-1977	4 Spd. Trans. w/4 Cyl. Eng.:	
1983-1979	All:			Seal .....	13527
	Seal .....	15546		(Speedi-Sleeve) .....	99138
	(Speedi-Sleeve) .....	99156	1979-1976	4 Spd. Trans. w/6 Cyl. Eng.:	
1978-1973	4 & 6 Cyl. Engs.:			Seal .....	15041
	Seal .....	15546		(Speedi-Sleeve) .....	99149
	(Speedi-Sleeve) .....	99156		(Speedi-Sleeve/Seal Kit) .....	480150
1978-1973	8 Cyl. Eng.:		1978-1974	3 Spd. Trans.:	
	Seal .....	16725		Seal .....	15041
	(Speedi-Sleeve) .....	99168		(Speedi-Sleeve) .....	99149
	(Speedi-Sleeve/Seal Kit) .....	480168		(Speedi-Sleeve/Seal Kit) .....	480150
1972	232, 258, 290 & 304 Engs. w/o H.D.:		1975-1970	4 Spd. Trans.:	
	Seal .....	15546		Seal .....	16871
	(Speedi-Sleeve) .....	99156		(Speedi-Sleeve) .....	99168
1972	258, 304, 360, 390 & 401 Engs. w/H.D.:		1973-1970	3 Spd. Trans.:	
	Seal .....	16725		Seal .....	15005
	(Speedi-Sleeve) .....	99168		(Speedi-Sleeve) .....	99149
	(Speedi-Sleeve/Seal Kit) .....	480168		(Speedi-Sleeve/Seal Kit) .....	480152
1971-1970	232, 258, 290 & 304 Engs.:		<b>Alternator</b>		
	Seal .....	15005	1983	All:	
	(Speedi-Sleeve) .....	99149		Bearing (Front) .....	6203-RSJ
	(Speedi-Sleeve/Seal Kit) .....	480152		Bearing (Rear) .....	MNJ471-S
1971-1970	343, 360, 390 & 401 Engs.:		1982-1980	All:	
	Seal .....	16871		Bearing (Front) .....	6203-ZJ
	(Speedi-Sleeve) .....	99168		Bearing (Rear) .....	MNJ471-S
<b>Transmission-Manual</b>			1979	4 & 6 Cyl. Engs.:	
<b>Countershaft</b>				Bearing (Front) .....	6203-ZJ
1972-1970	w/o T15 Trans.:			Bearing (Rear) .....	MNJ471-S
	Bearing .....	[44] C407-Q	1979	8 Cyl. Eng.:	
<b>Front</b>				Bearing (Front) .....	6303-ZJ
1983-1981	Warner Trans.:			Bearing (Rear) .....	6201-ZJ
	Seal .....	12363	1978-1973	Delco Remy:	
	(Speedi-Sleeve) .....	99125		Bearing (Front) .....	6203-ZJ
	Bearing .....	BR5		Bearing (Rear) .....	MNJ471-S
	(Set Components) .....	LM48548/LM48510	1978-1973	Motorcraft:	
1982-1980	w/o Warner Trans.:			Bearing (Front) .....	6203-2RSJ
	Seal .....	11123		Bearing (Rear) .....	MNJ471-S
	(Speedi-Sleeve) .....	99112	1978-1973	Motorola:	
1979-1977	4 Spd. Trans. w/4 Cyl. Eng.:			Bearing (Front) .....	6203-RSZJ
	Seal .....	10930		Bearing (Rear) .....	6200-J
	(Speedi-Sleeve) .....	99111	1972-1970	Exc. AMC:	
1979-1973	3 Spd. Trans.:			Bearing (Front) .....	6203-RSZJ
	Seal .....	11123		Bearing (Rear) .....	6200-J
	(Speedi-Sleeve) .....	99112	1972-1970	AMC:	
	Bearing .....	■ N6307-NJX		Bearing (Front) .....	6200-2RSJ
1979-1970	4 Spd. Trans. Exc. 4 Cyl. Eng.:			Bearing (Rear) .....	6203-RSZJ
	Seal .....	11123			(Continued)
	(Speedi-Sleeve) .....	99112			

# Passenger cars, light & medium trucks

## (Cont.) -- American Motors AMX (from 1978), Concord, Gremlin, Hornet, Pacer, Spirit

MFG./YEAR	MODEL & LOCATION	PART NO.	MFG./YEAR	MODEL & LOCATION	PART NO.
<b>Engine</b>			<b>Engine (Cont.)</b>		
<b>Camshaft</b>			<b>Timing Cover (Cont.)</b>		
1979-1977	121 (2.0L) Eng.:		1979-1970	8 Cyl. Eng.:	
	Seal .....	12724		Seal .....	19799
	(Speedi-Sleeve) .....	99128		(Speedi-Sleeve) .....	99199
<b>Crankshaft-Rear</b>			<b>Steering-Power</b>		
1983-1970	6 Cyl. Eng.:		<b>Pitman Shaft</b>		
	Seal .....	208	1983-1970	Exc. Pacer:	
	(Superseded by): .....	808		Seal (Inner) .....	12371
1982-1980	151 (2.5L) GM Eng.:			Seal (Outer) .....	12355
	Seal .....	29868		Seal Kit .....	12392
	(Speedi-Sleeve) .....	99300	<b>Pump Shaft</b>		
1979-1977	121 (2.0L) Eng.:		1983-1970	w/o 8 Cyl. Eng. w/Eaton Pump:	
	Seal .....	37825		Seal .....	7475
<b>Timing Belt Tensioner</b>			1972-1970	8 Cyl. Eng. w/Eaton Pump:	
1979-1977	121 (2.0L) Eng.:			Seal .....	7465
	Bearing & Housing Assy. ....	VKM11000	<b>Steering-Standard</b>		
<b>Timing Belt and Tensioner Kit</b>			<b>Pitman Shaft</b>		
1979-1977	121 (2.0L) Eng.:		1983-1970	Exc. Pacer:	
	Belt & Tensioner Kit .....	VKMA01000		Seal .....	11055
<b>Timing Cover</b>			<b>Worm Shaft</b>		
1983-1970	6 Cyl. Eng.:		1983-1970	Exc. Pacer:	
	Seal .....	17806		Seal .....	7481
	(Speedi-Sleeve) .....	99179			
1982-1980	151 (2.5L) GM Eng.:				
	Seal .....	17280			
	(Speedi-Sleeve) .....	99174			
1979-1977	121 (2.0L) Eng.:				
	Seal .....	13952			
	(Speedi-Sleeve) .....	99139			

## American Motors Classic, Marlin, Rambler, Rogue, Typhoon

<b>Wheel Front</b>			<b>Pinion</b>		
1967-1958	All:		1968-1967	All:	
	Seal .....	16659		Seal .....	18444
	Bearing (Inner) .....	BR6		Bearing (Front) .....	BR52
	(Set Components) .....	LM67048/LM67010		(Set Components) .....	M88048/M88010
	Bearing (Outer) .....	BR2		Bearing (Rear) .....	M802048/M802011
	(Set Components) .....	LM11949/LM11910	<b>1966-1965 8 Cyl. Eng.:</b>		
<b>Wheel Rear</b>				Seal .....	18444
1967-1960	6 Cyl. Eng.:			Bearing (Front) .....	BR52
	Seal (Inner) .....	12582		(Set Components) .....	M88048/M88010
	Seal (Outer) .....	12685		Bearing (Rear) .....	M802048/M802011
	Bearing .....	BR6	<b>1966-1964 6 Cyl. Eng.:</b>		
	(Set Components) .....	LM67048/LM67010		Seal .....	13588
1967-1960	8 Cyl. Eng.:			(Speedi-Sleeve) .....	99138
	Seal (Inner) .....	13839		Bearing (Front) .....	M86649/M86610
	Seal (Outer) .....	13508		Bearing (Rear) .....	BR90
	Bearing .....	BR5		(Set Components) .....	HM88648/HM88610
	(Set Components) .....	LM48548/LM48510	<b>1964-1960 8 Cyl. Eng.:</b>		
1959-1957	8 Cyl. Eng.:			Seal .....	18444
	Seal (Inner) .....	13862		Bearing (Front) .....	BR31590/BR31520
	Seal (Outer) .....	13662		Bearing (Rear) .....	BR3877/BR3820
	Bearing .....	BR5			(Continued)
	(Set Components) .....	LM48548/LM48510			
1956-1950	All:				
	Seal (2.254" O.D.) .....	11914			

American Motors Classic, Marlin, Rambler, Rogue, Typhoon -- (Cont.)

MFG./YEAR	MODEL & LOCATION	PART NO.	MFG./YEAR	MODEL & LOCATION	PART NO.
<b>Pinion (Cont.)</b>			<b>Transmission-Automatic (Cont.)</b>		
1963-1961	6 Cyl. Eng.:		<b>Front Pump (Cont.)</b>		
	Seal	13588	1957	Hydramatic Trans.:	
	(Speedi-Sleeve)	99138		Seal	25950
	Bearing (Front)	M86649/M86610	<b>Rear</b>		
	Bearing (Rear)	HM88649/HM88610	1968-1967	343, 360, 390 & 401 Eng.:	
1960	6 Cyl. Eng. Type I:			Seal	16871
	Seal	13588		(Speedi-Sleeve)	99168
	(Speedi-Sleeve)	99138	1967	w/o 343, 360, 390 & 401 Eng.:	
	Bearing (Front)	BR02474/BR02420		Seal	15005
1960	6 Cyl. Eng. Types II & III:			(Speedi-Sleeve)	99149
	Seal	13588		(Speedi-Sleeve/Seal Kit)	480152
	(Speedi-Sleeve)	99138	1966-1958	All:	
	Bearing (Front)	M86649/M86610		Seal	16871
	Bearing (Rear)	HM88649/HM88610		(Speedi-Sleeve)	99168
<b>Differential</b>			1957	AS2 & Hydramatic Trans.:	
1968-1966	All:			Seal	15041
	Bearing	[2] BR36		(Speedi-Sleeve)	99149
	(Set Components)	LM603049/LM603012		(Speedi-Sleeve/Seal Kit)	480150
1965	8 Cyl. Eng.:		1957	AS4 Trans.:	
	Bearing	[2] BR36		Seal	16871
	(Set Components)	LM603049/LM603012		(Speedi-Sleeve)	99168
1965-1961	6 Cyl. Eng.:		<b>Shift Shaft</b>		
	Bearing	[2] BR72	1967-1963	8 Cyl. Eng.:	
	(Set Components)	LM501349/LM501314		Seal	7556
1964-1959	8 Cyl. Eng.:			(Speedi-Sleeve)	99076
	Bearing	[2] BR25580/BR25523	1959-1958	All:	
1960	6 Cyl. Eng. Type I:			Seal	3645
	Bearing	[2] BR24780/BR24721	<b>Transmission-Manual</b>		
1960	6 Cyl. Eng. Types II & III:		<b>Countershaft</b>		
	Bearing	[2] LM501349/LM501311	1966	3 Spd. Exc. T85D Trans.:	
1958-1957	8 Cyl. Eng. w/Irregular Axle Hsg. Cvr.:			Bearing	[44] C407-Q
	Bearing	[2] BR25577/BR25523	1965-1961	232 & 287 Eng.:	
1958-1957	8 Cyl. Eng. w/Round Axle Hsg. Cvr.:			Bearing	[44] C407-Q
	Bearing	[2] BR25580/BR25523	1965-1959	6 Cyl. Eng. w/H.D. Trans.:	
				Bearing	[44] C407-Q
<b>Clutch</b>			<b>Front</b>		
<b>Release</b>			1968-1967	All:	
1968-1967	8 Cyl. Eng.:			Seal	11123
	Bearing Assembly	N1701		(Speedi-Sleeve)	99112
1967-1960	6 Cyl. Eng.:		1966	3 Spd. T85D Trans.:	
	Bearing Only	N1054		Seal	11123
	Bearing Assembly	N1491		(Speedi-Sleeve)	99112
1966-1957	8 Cyl. Eng.:			Bearing	6307-NRJ
	Bearing Only	N1136	1966	3 Spd. T86E Trans.:	
				Seal	11123
				(Speedi-Sleeve)	99112
<b>Transmission-Automatic</b>			1966	3 Spd. T90G Trans.:	
<b>Front Pump</b>				Seal	11123
1968-1967	8 Cyl. Exc. 290 & 304 Eng.:			(Speedi-Sleeve)	99112
	Seal	19240		Bearing	207-ZNRJ
	(Speedi-Sleeve)	99193	1966	3 Spd. T96C & AS11-T96F Trans.:	
1968-1967	290 & 304 Eng.:			Seal	11123
	Seal	16696		(Speedi-Sleeve)	99112
	(Speedi-Sleeve)	99168		Bearing	207-NRJ
1967-1960	6 Cyl. Eng.:		1966	3 Spd. T96 H & J Trans.:	
	Seal	16696		Seal	11123
	(Speedi-Sleeve)	99168		(Speedi-Sleeve)	99112
1966-1958	8 Cyl. Eng.:			Bearing	207-NRJ
	Seal	19240		1966	3 Spd. T96 H & J Trans.:
	(Speedi-Sleeve)	99193		Seal	11123
1957	w/o Hydramatic Trans.:			(Speedi-Sleeve)	99112
	Seal	19240		Bearing	■ N6307-NJX
	(Speedi-Sleeve)	99193			(Continued)



# Passenger cars, light & medium trucks

## (Cont.) -- American Motors Classic, Marlin, Rambler, Rogue, Typhoon

MFG./YEAR	MODEL & LOCATION	PART NO.	MFG./YEAR	MODEL & LOCATION	PART NO.
<b>Transmission-Manual (Cont.)</b>			<b>Transmission-Manual (Cont.)</b>		
<b>Front (Cont.)</b>			<b>Rear (Cont.)</b>		
1965	6 Cyl. 199 Eng.:		1964	Classic w/287 Eng.:	
	Seal .....	11123		Seal .....	16871
	(Speedi-Sleeve) .....	99112		(Speedi-Sleeve) .....	99168
	Bearing .....	207-NRJ		Bearing .....	6207-ZJ
1965-1964	Classic w/327 Eng.:		1963-1962	8 Cyl. Eng.:	
	Seal .....	11123		Seal .....	16871
	(Speedi-Sleeve) .....	99112		(Speedi-Sleeve) .....	99168
	Bearing .....	6307-NRJ		Bearing .....	6206-ZJ
1965-1964	232 & 287 Engs.:		1962	6 Cyl. Eng.:	
	Seal .....	11209		Seal .....	16871
	(Speedi-Sleeve) .....	99112		(Speedi-Sleeve) .....	99168
	Bearing .....	207-ZNRJ		Bearing .....	6206-ZNRJ
1963-1960	6 Cyl. Eng. Exc. H.D. Trans.:		1961	8 Cyl. Eng.:	
	Seal .....	11209		Seal .....	15093
	(Speedi-Sleeve) .....	99112		(Speedi-Sleeve) .....	99149
	Bearing .....	207-NRJ		Bearing .....	6207-ZNRJ
1957	Rambler w/8 Cyl. Eng.:		1961-1957	6 Cyl. Eng.:	
	Seal .....	11209		Seal .....	15093
	(Speedi-Sleeve) .....	99112		(Speedi-Sleeve) .....	99149
	Bearing .....	6207-ZNRJ		Bearing .....	6206-ZNRJ
1954-1953	All:		1957	All:	
	Seal .....	13596		Seal .....	15093
	(Speedi-Sleeve) .....	99138		(Speedi-Sleeve) .....	99149
<b>Mainshaft Pilot</b>			<b>Shift Shaft</b>		
1966	3 Spd. T86E & T90G Trans.:		1966-1957	w/o 327 Eng.:	
	Bearing .....	[14] QBR23549		Seal .....	6130
1965-1963	3 Spd. Trans. w/232 & 287 Engs.:			(Speedi-Sleeve) .....	99062
	Bearing .....	[14] QBR23549	<b>Air Conditioning Clutch</b>		
1965-1959	3 Spd. H.D. Trans.:		1964-1960	All:	
	Bearing .....	[14] QBR23549		Bearing .....	5106-WCC
1961-1960	6 Cyl. Eng.:		<b>Alternator</b>		
	Bearing .....	[13] C1110-Q	1968-1967	Exc. AMC:	
1957	8 Cyl. Eng.:			Bearing (Front) .....	6203-RSJJ
	Bearing .....	[14] QBR23549		Bearing (Rear) .....	6200-J
<b>Rear</b>			1968-1967	AMC:	
1968-1967	3 Spd. Trans.:			Bearing (Front) .....	6200-2RSJ
	Seal .....	15005		Bearing (Rear) .....	6203-RSJJ
	(Speedi-Sleeve) .....	99149	1966-1960	All:	
	(Speedi-Sleeve/Seal Kit) .....	480152		Bearing (Front) .....	6203-RSJJ
1968-1967	4 Spd. Trans.:			Bearing (Rear) .....	6200-J
	Seal .....	16871	<b>Engine</b>		
	(Speedi-Sleeve) .....	99168	<b>Crankshaft-Rear</b>		
	Bearing .....	6307-J	1968-1960	6 Cyl. Eng.:	
1966	3 Spd. T90G Trans.:			Seal .....	◇208
	Seal .....	15005		(Superseded by).....	808
	(Speedi-Sleeve) .....	99149	<b>Timing Cover</b>		
	(Speedi-Sleeve/Seal Kit) .....	480152	1968-1967	8 Cyl. Eng.:	
	Bearing .....	207-ZNRJ		Seal .....	19799
1965	287 Eng.:			(Speedi-Sleeve) .....	99199
	Seal .....	16871	1968-1959	6 Cyl. Eng.:	
	(Speedi-Sleeve) .....	99168		Seal .....	17806
	Bearing .....	■ 6207-ZNJ		(Speedi-Sleeve) .....	99179
1965-1964	6 Cyl. Eng.:		1966-1957	8 Cyl. Eng.:	
	Seal .....	16871		Seal .....	19220
	(Speedi-Sleeve) .....	99168		(Speedi-Sleeve) .....	99193
	Bearing .....	■ 6207-ZNJ			(Continued)
1965-1964	327 Eng.:				
	Seal .....	16871			
	(Speedi-Sleeve) .....	99168			
	Bearing .....	6307-J			

## Passenger cars, light & medium trucks

### American Motors Classic, Marlin, Rambler, Rogue, Typhoon -- (Cont.)

MFG./YEAR	MODEL & LOCATION	PART NO.	MFG./YEAR	MODEL & LOCATION	PART NO.
<b>Steering-Power</b>			<b>Steering-Standard (Cont.)</b>		
<b>Pitman Shaft</b>			<b>Pitman Shaft</b>		
1968-1960	All:		1968	All:	
	Seal (Inner)	12371		Seal	11055
	Seal (Outer)	12355	1967-1966	6 Cyl. Eng.:	
	Seal Kit	12392		Seal	11081
<b>Pump Shaft</b>			1967-1966	8 Cyl. Eng.:	
1968	6 Cyl. Eng.:			Seal	11055
	Seal	7475	1965-1962	All:	
1968-1960	8 Cyl. Eng.:			Seal	11081
	Seal	7465	1961-1960	All:	
1967-1960	6 Cyl. Eng.:			Seal	11065
	Seal	8019	1957	All:	
1959-1957	Eaton Pump:			Seal	11065
	Seal	7440	<b>Worm Shaft</b>		
1959-1957	Vickers Pump:		1968	All:	
	Seal	5046		Seal	7481
<b>Steering-Standard</b>			1967-1960	6 Cyl. Eng.:	
<b>Housing</b>				Seal	7464
1968-1967	Worm Ball Adjustment:		1967-1960	8 Cyl. Eng.:	
	Seal	7474		Seal	7481

### American Motors Eagle

<b>Wheel Front</b>			<b>Pinion (Cont.)</b>		
1988-1982	All:		<b>Rear Axle</b>		
	Seal	24886	1988-1980	All:	
	Bearing	[2] BR26		Seal	18444
<b>Axle Shaft</b>				Bearing (Front)	M86649/M86610
1988-1983	All:			Bearing (Rear)	BR90
	Seal	14035		(Set Components)	HM88648/HM88610
	Bearing (L.H.)	R1563-TAV	<b>Differential</b>		
	(Axle Repair Brg. Assy.) (L.H.)	• R1563	<b>Kit</b>		
	Bearing (R.H.)	6007-J	1988-1980	Dana 35 Axle:	
1982-1980	All:			Standard Seal and Bearing Kit Rear	SDK335
	Seal (L.H.)	13810	1987	Dana 30 ENSP 87-1/2 Axle:	
	Seal (R.H.)	12386		Standard Seal and Bearing Kit Front	SDK334
	Bearing Assembly	BH2012	<b>Front Axle</b>		
<b>Steering Knuckle</b>			1988-1980	All:	
1988-1980	All:			Bearing	BR72
	Seal	21961		(Set Components)	LM501349/LM501314
<b>Wheel Rear</b>			<b>Rear Axle</b>		
1988-1980	All:		1988-1980	All:	
	Seal (Inner)	12582		Bearing	BR72
	Seal (Outer)	12685		(Set Components)	LM501349/LM501314
	Bearing	BR6	<b>Clutch</b>		
	(Set Components)	LM67048/LM67010	<b>Release</b>		
<b>Pinion</b>			1988-1981	6 Cyl. Eng.:	
<b>Front Axle</b>				Bearing Assembly	N1444
1988-1980	All:			(Self-Aligning)	N1444-SA
	Seal	15788	1984-1983	4 Cyl. AMC Eng.:	
	(Speedi-Sleeve)	99155		Bearing Assembly	N3060
	Bearing (Front)	BR02872/BR02820	1983-1981	4 Cyl. GM Eng.:	
	Bearing (Rear)	HM88649/HM88610		Bearing Assembly	N2002
				(Continued)	

MFG./YEAR	MODEL & LOCATION	PART NO.	MFG./YEAR	MODEL & LOCATION	PART NO.
<b>Transfer Case</b>			<b>Alternator</b>		
<b>Front Output Shaft</b>			<b>1988-1983 All:</b>		
<b>1988-1986 All:</b>			Bearing (Front) ..... 6203-RSJ		
Seal .....		18771	Bearing (Rear) ..... MNJ471-S		
(Speedi-Sleeve) .....		99187	<b>1982-1981 70 Amp.:</b>		
<b>1985-1980 All:</b>			Bearing (Front) ..... 6203-ZJ		
Seal .....		18662	Bearing (Rear) ..... MNJ471-S		
(Speedi-Sleeve) .....		99187	<b>1982-1980 63 Amp.:</b>		
Bearing (Front) .....		B2816	Bearing (Front) ..... 6203-ZJ		
Bearing (Rear) .....		J2416	Bearing (Rear) ..... MNJ471-S		
<b>Input Shaft</b>			<b>1980 Fog Lights:</b>		
<b>1988-1980 All:</b>			Bearing (Front) ..... 6303-ZJ		
Seal .....		19255	Bearing (Rear) ..... 6201-ZJ		
(Speedi-Sleeve) .....		99193	<b>Engine</b>		
Bearing .....	[2]	B5020	<b>Crankshaft-Rear</b>		
<b>Oil Pump</b>			<b>1988-1983 4 Cyl. AMC Eng.:</b>		
<b>1988-1987 All:</b>			Seal .....		
Seal .....		22306	(Speedi-Sleeve) ..... 99300		
(Speedi-Sleeve) .....		99225	<b>1988-1980 6 Cyl. Eng.:</b>		
<b>Rear Output Shaft</b>			Seal ..... ◆208		
<b>1988-1987 Model 129:</b>			(Superseded by:):..... 808		
Seal .....		18662	<b>1983-1980 4 Cyl. GM Eng.:</b>		
(Speedi-Sleeve) .....		99187	Seal ..... 29868		
<b>1986 All:</b>			(Speedi-Sleeve) ..... 99300		
Seal .....		18771	<b>Timing Cover</b>		
(Speedi-Sleeve) .....		99187	<b>1988-1983 4 Cyl. AMC Eng.:</b>		
<b>1985-1980 All:</b>			Seal .....		
Seal .....		18662	(Speedi-Sleeve) ..... 17806		
(Speedi-Sleeve) .....		99187	<b>1988-1980 6 Cyl. Eng.:</b>		
Bearing .....		6207-J	Seal ..... 17806		
<b>Transmission-Automatic</b>			(Speedi-Sleeve) ..... 99179		
<b>Front Pump</b>			<b>1983-1980 4 Cyl. GM Eng.:</b>		
<b>1988-1980 All:</b>			Seal .....		
Seal .....		15022	(Speedi-Sleeve) ..... 17286		
(Speedi-Sleeve) .....		99149	(Speedi-Sleeve) ..... 99176		
<b>Rear</b>			(Speedi-Sleeve/Seal Kit) ..... 480177		
<b>1988-1983 All:</b>			<b>Steering-Power</b>		
Seal .....		19211	<b>Pitman Shaft</b>		
(Speedi-Sleeve) .....		99193	<b>1988-1980 All:</b>		
<b>1982-1981 All:</b>			Seal (Inner) ..... 12371		
Seal .....		19244	Seal (Outer) ..... 12355		
(Speedi-Sleeve) .....		99193	Seal Kit ..... 12392		
<b>1980 6 Cyl. Eng.:</b>			<b>Pump Shaft</b>		
Seal .....		15546	<b>1988-1980 All:</b>		
(Speedi-Sleeve) .....		99156	Seal ..... 7475		
<b>Transmission-Manual</b>			<b>Steering-Standard</b>		
<b>Front</b>			<b>Pitman Shaft</b>		
<b>1988-1981 4 &amp; 5 Spd. Warner Trans.:</b>			<b>1986-1980 All:</b>		
Seal .....		12363	Seal ..... 7481		
(Speedi-Sleeve) .....		99125	<b>Worm Shaft</b>		
Bearing .....		BR5	<b>1986-1980 All:</b>		
(Set Components) .....		LM48548/LM48510	Seal ..... 11055		
<b>1980 All:</b>					
Seal .....		11123			
(Speedi-Sleeve) .....		99112			
<b>Rear</b>					
<b>1988-1980 All:</b>					
Seal .....		18580			
(Speedi-Sleeve) .....		99187			

**American Motors Matador, Rebel**

MFG./YEAR	MODEL & LOCATION	PART NO.	MFG./YEAR	MODEL & LOCATION	PART NO.
<b>Wheel Front</b>			<b>Clutch (Cont.)</b>		
<b>1978-1975 All:</b>			<b>Release (Cont.)</b>		
	Seal .....	19500	1974	Trans. Coded DR, FE, FH, FJ, GH, GM, GN, GP, GU & GV:	
	Bearing (Inner) .....	BR17		Bearing Only .....	N1586
	(Set Components) .....	L68149/L68111		Bearing Assembly .....	N1439
	Bearing (Outer) .....	BR16	1974-1973	Trans. Coded 13-02-000-066, 067, 068, 069, 070, 072, 078, 081, 083 & 085:	
	(Set Components) .....	LM12749/LM12711		Bearing Only .....	N1054
1974	<b>Bendix Disc Brks.:</b>			Bearing Assembly .....	N1491
	Seal .....	19500	1972-1970 All:		
	Bearing (Inner) .....	BR17		Bearing Only .....	N1054
	(Set Components) .....	L68149/L68111		Bearing Assembly .....	N1491
	Bearing (Outer) .....	BR16	1969	<b>6 Cyl. Eng.:</b>	
	(Set Components) .....	LM12749/LM12711		Bearing Only .....	N1054
1974-1967	<b>Kelsey Hayes Disc Brks.:</b>			Bearing Assembly .....	N1491
	Seal .....	16659	1969-1967	<b>8 Cyl. Eng.:</b>	
	Bearing (Inner) .....	BR6		Bearing Assembly .....	N1701
	(Set Components) .....	LM67048/LM67010	1968-1967	<b>6 Cyl. Eng.:</b>	
	Bearing (Outer) .....	BR2		Bearing Only .....	N1054
	(Set Components) .....	LM11949/LM11910		Bearing Assembly .....	N1491
1974-1967	<b>Drum Brks.:</b>		<b>Transmission-Automatic</b>		
	Seal .....	16659	<b>Front Pump</b>		
	Bearing (Inner) .....	BR6	1978-1975	<b>6 Cyl. Eng.:</b>	
	(Set Components) .....	LM67048/LM67010		Seal .....	15022
	Bearing (Outer) .....	BR2		(Speedi-Sleeve) .....	99149
	(Set Components) .....	LM11949/LM11910	1978-1973	<b>8 Cyl. Eng.:</b>	
<b>Wheel Rear</b>				Seal .....	18508
<b>1978-1970 All:</b>			1974-1973	<b>6 Cyl. Exc. 258 Eng.:</b>	
	Seal (Inner) .....	13839		Seal .....	15022
	Seal (Outer) .....	13508		(Speedi-Sleeve) .....	99149
	Bearing .....	BR5	1974-1973	<b>258 Eng.:</b>	
	(Set Components) .....	LM48548/LM48510		Seal .....	18508
1969-1967	<b>6 Cyl. Eng. w/o Disc Brks. Exc. Sta. Wgn.:</b>		1972	<b>6 Cyl. Eng.:</b>	
	Seal (Inner) .....	12582		Seal .....	15022
	Seal (Outer) .....	12685		(Speedi-Sleeve) .....	99149
	Bearing .....	BR6	1972	<b>8 Cyl. Eng.:</b>	
	(Set Components) .....	LM67048/LM67010		Seal .....	18508
1969-1967	<b>6 &amp; 8 Cyl. Eng. w/Disc Brks.:</b>		1971-1967	<b>6 Cyl. Eng.:</b>	
	Seal (Inner) .....	13839		Seal .....	16696
	Seal (Outer) .....	13508		(Speedi-Sleeve) .....	99168
	Bearing .....	BR5	1971-1967	<b>8 Cyl. Exc. 290 &amp; 304 Eng.:</b>	
	(Set Components) .....	LM48548/LM48510		Seal .....	19240
<b>Pinion</b>				(Speedi-Sleeve) .....	99193
<b>1978-1967 All:</b>			1971-1967	<b>290 &amp; 304 Eng.:</b>	
	Seal .....	18444		Seal .....	16696
	Bearing (Front) .....	BR52		(Speedi-Sleeve) .....	99168
	(Set Components) .....	M88048/M88010	1978-1973	<b>4.2L Eng.:</b>	
	Bearing (Rear) .....	M802048/M802011		Seal .....	16725
<b>Differential</b>				(Speedi-Sleeve) .....	99168
<b>1978-1967 All:</b>				(Speedi-Sleeve/Seal Kit) .....	480168
	Bearing .....	[2] BR36	1978-1973	<b>8 Cyl. Exc. 290 &amp; 304 Eng.:</b>	
	(Set Components) .....	LM603049/LM603012		Seal .....	16725
<b>Kit</b>				(Speedi-Sleeve) .....	99168
<b>1970-1967 AMC 20 Axle:</b>				(Speedi-Sleeve/Seal Kit) .....	480168
	Standard Seal and Bearing Kit Rear .....	SDK311-J	1977-1973	<b>304 Eng. Exc. Trans. Tag No. 3222777:</b>	
<b>Clutch</b>				Seal .....	15546
<b>Release</b>				(Speedi-Sleeve) .....	99156
<b>1978-1977 All:</b>			1974-1973	<b>6 Cyl. Exc. 4.2L Eng.:</b>	
	Bearing Assembly .....	N1444		Seal .....	15546
	(Self-Aligning) .....	N1444-SA		(Speedi-Sleeve) .....	99156
<b>1976-1975 All:</b>			<b>Rear</b>		
	Bearing Only .....	N1054	1978-1973	<b>4.2L Eng.:</b>	
	Bearing Assembly .....	N1491		Seal .....	16725
				(Speedi-Sleeve) .....	99168
				(Speedi-Sleeve/Seal Kit) .....	480168
			1977-1973	<b>304 Eng. Exc. Trans. Tag No. 3222777:</b>	
				Seal .....	15546
				(Speedi-Sleeve) .....	99156
			1974-1973	<b>6 Cyl. Exc. 4.2L Eng.:</b>	
				Seal .....	15546
				(Speedi-Sleeve) .....	99156
			(Continued)		

# Passenger cars, light & medium trucks

(Cont.) -- American Motors Matador, Rebel

MFG./YEAR	MODEL & LOCATION	PART NO.	MFG./YEAR	MODEL & LOCATION	PART NO.
<b>Transmission-Automatic (Cont.)</b>			<b>Transmission-Manual (Cont.)</b>		
<b>Rear (Cont.)</b>			<b>Rear (Cont.)</b>		
1974-1973 304 Eng. w/Trans. Tag No. 3222777:			1967 3 Spd. Trans. w/ O/D:		
	Seal .....	16725		Seal .....	15093
	(Speedi-Sleeve) .....	99168		(Speedi-Sleeve) .....	99149
	(Speedi-Sleeve/Seal Kit) .....	480168	<b>Alternator</b>		
1972	232, 258, 290 & 304 Engs.:		1978-1973 Delco Remy:		
	Seal .....	15535		Bearing (Front) .....	6203-ZJ
	(Speedi-Sleeve) .....	99156		Bearing (Rear) .....	MNJ471-S
1971-1967	199, 232, 258, 290 & 304 Engs.:		1978-1967 Motorcraft:		
	Seal .....	15005		Bearing (Front) .....	6203-2RSJ
	(Speedi-Sleeve) .....	99149		Bearing (Rear) .....	MNJ471-S
1971-1967	8 Cyl. Exc. 290 & 304 Engs.:		1978-1967 Motorola:		
	Seal .....	16871		Bearing (Front) .....	6203-RSZJ
	(Speedi-Sleeve) .....	99168		Bearing (Rear) .....	6200-J
<b>Shift Shaft</b>			<b>Engine</b>		
1972-1967 8 Cyl. Eng.:			<b>Crankshaft-Rear</b>		
	Seal .....	7556	1978-1967 6 Cyl. Eng.:		
	(Speedi-Sleeve) .....	99076		Seal .....	◇208
<b>Transmission-Manual</b>			(Superseded by):..... 808		
<b>Countershaft</b>			<b>Timing Cover</b>		
1976-1973 3 Spd. Exc. Trans. Coded DR, FE, FH, FJ, GM, GN, GP, GS, GU & GV:			1978-1967 6 Cyl. Eng.:		
	Bearing .....	[44] C407-Q		Seal .....	17806
1972-1967	3 Spd. Exc. T15 Trans.:			(Speedi-Sleeve) .....	99179
	Bearing .....	[44] C407-Q	1978-1967 8 Cyl. Eng.:		
<b>Front</b>				Seal .....	19799
1978-1977 4 Spd. Trans. w/6 Cyl. Eng.:				(Speedi-Sleeve) .....	99199
	Seal .....	11123	<b>Steering-Power</b>		
	(Speedi-Sleeve) .....	99112	<b>Pitman Shaft</b>		
1978-1974	3 Spd. Trans.:		1978-1967 All:		
	Seal .....	11123		Seal (Inner) .....	12371
	(Speedi-Sleeve) .....	99112		Seal (Outer) .....	12355
1973-1967	All:			Seal Kit .....	12392
	Seal .....	11123	<b>Pump Shaft</b>		
	(Speedi-Sleeve) .....	99112	1978-1973 All:		
	Bearing .....	■ N6307-NJX		Seal .....	7475
<b>Rear</b>			1972-1971 8 Cyl. Eng. w/Saginaw Pump:		
1978-1976 4 Spd. Trans. w/6 Cyl. Eng.:				Seal .....	7475
	Seal .....	15041	1972-1968 6 Cyl. Eng.:		
	(Speedi-Sleeve) .....	99149		Seal .....	7475
	(Speedi-Sleeve/Seal Kit) .....	480150	1972-1967 8 Cyl. Eng. w/Eaton Pump:		
1978-1974	3 Spd. w/Trans. Tag. No. DK, FE, FH, FJ, GM, GN, GP, GS, GT, GU & GV:			Seal .....	7465
	Seal .....	15041	1967 6 Cyl. Eng.:		
	(Speedi-Sleeve) .....	99149		Seal .....	8019
	(Speedi-Sleeve/Seal Kit) .....	480150	<b>Steering-Standard</b>		
1976-1973	Trans. Coded 13-02-000-067 Thru 13-02-000-072, 13-02-000-078, 81, 83 & 85:		<b>Housing</b>		
	Seal .....	15546	1969-1967 All:		
	(Speedi-Sleeve) .....	99156		Seal .....	7474
1975-1967	4 Spd. Trans.:		<b>Pitman Shaft</b>		
	Seal .....	16871	1978-1967 All:		
	(Speedi-Sleeve) .....	99168		Seal .....	11055
1972-1968	3 Spd. Trans.:		<b>Worm Shaft</b>		
	Seal .....	15005	1978-1967 All:		
	(Speedi-Sleeve) .....	99149		Seal .....	7481
	(Speedi-Sleeve/Seal Kit) .....	480152			
1967	3 Spd. Trans. Exc. O/D:				
	Seal .....	15005			
	(Speedi-Sleeve) .....	99149			
	(Speedi-Sleeve/Seal Kit) .....	480152			

## Passenger cars, light & medium trucks

### Aston Martin

MFG./YEAR	MODEL & LOCATION	PART NO.	MFG./YEAR	MODEL & LOCATION	PART NO.
<b>Wheel Front</b>			<b>Wheel Rear (Cont.)</b>		
<b>1988-1973 Vantage, Volante &amp; V8:</b>			<b>Axle Shaft (Cont.)</b>		
	Bearing (Inner) .....	14138-A/BR14276	<b>1971-1964 DB &amp; DBS:</b>		
	Bearing (Outer) .....	BR09067/BR09195	Bearing .....		
<b>1982-1976 Lagonda:</b>			..... BR5		
	Bearing (Inner) .....	BR13	(Set Components) .....		
	(Set Components) .....	L68149/L68110	LM48548/LM48510		
	Bearing (Outer) .....	BR12	<b>Pinion</b>		
	(Set Components) .....	LM12749/LM12710	<b>1988-1964 All:</b>		
<b>1971-1964 DB &amp; DBS:</b>			Bearing (Front) .....		
	Bearing (Inner) .....	14138-A/BR14276	..... M88043/M88010		
	Bearing (Outer) .....	BR09067/BR09195	Bearing (Rear) .....		
<b>Wheel Rear</b>			..... HM89446/HM89410		
<b>1988-1973 Vantage, Volante &amp; V8:</b>			<b>Differential</b>		
	Bearing .....	BR37	<b>1988-1964 All:</b>		
	(Set Components) .....	LM603049/LM603011	Bearing .....		
<b>1982-1976 Lagonda:</b>			..... [2] BR25577/BR25523		
	Bearing .....	BR37	<b>Transmission-Automatic</b>		
	(Set Components) .....	LM603049/LM603011	<b>Front Pump</b>		
<b>1971-1967 DBS:</b>			<b>1982-1973 DBS &amp; Vantage w/727 Torque-Flite Trans.:</b>		
	Bearing .....	BR37	Seal .....		
	(Set Components) .....	LM603049/LM603011	..... 18508		
<b>1969-1964 DB:</b>			<b>Rear</b>		
	Bearing .....	BR25877/BR25820	<b>1982-1973 DBS &amp; Vantage w/727 Torque-Flite Trans.:</b>		
<b>Axle Shaft</b>			Seal .....		
<b>1988-1974 Vantage, Volante &amp; V8:</b>			..... 16725		
	Bearing .....	BR17	(Speedi-Sleeve) .....		
	(Set Components) .....	L68149/L68111	..... 99168		
<b>1982-1976 Lagonda:</b>			(Speedi-Sleeve/Seal Kit) .....		
	Bearing .....	BR17	..... 480168		
	(Set Components) .....	L68149/L68111			
<b>1973 Vantage, Volante &amp; V8:</b>					
	Bearing .....	BR5			
	(Set Components) .....	LM48548/LM48510			

### Audi

<b>Wheel Front</b>			<b>Wheel Front (Cont.)</b>		
<b>1995 Cabriolet:</b>			<b>1992-1988 80 &amp; 90 Quattro:</b>		
	Sealed Bearing .....	FW136	Sealed Bearing .....		
	C-Clip .....	CIR136	..... FW167		
<b>1995 A6 &amp; S6:</b>			Bearing Kit .....		
	Sealed Bearing .....	FW136	..... WKH1355		
	C-Clip .....	CIR136	<b>1991-1989 100 Wgn., 200, 200 Turbo &amp; 200 Wgn.</b>		
	Bearing Kit .....	WKH1356	<b>w/Auto. Transaxle:</b>		
<b>1995-1993 90 &amp; 90 Quattro:</b>			Sealed Bearing .....		
	Sealed Bearing .....	FW136	..... FW137		
	C-Clip .....	CIR136	Bearing Kit .....		
	Bearing Kit .....	WKH1356	..... WKH962		
<b>1994 100 Quattro, 100 Wgn. &amp; V8 Quattro:</b>			<b>1991-1988 80 &amp; 90 Exc. Quattro:</b>		
	Sealed Bearing .....	FW136	Sealed Bearing .....		
	C-Clip .....	CIR136	..... B38		
	Bearing Kit .....	WKH1356	Bearing Kit .....		
<b>1994-1992 S4:</b>			..... WKH575		
	Sealed Bearing .....	FW136	<b>1988-1985 5000 Series From 8/85; 5000 w/Turbo From</b>		
	C-Clip .....	CIR136	<b>Chas. 44G031044:</b>		
	Bearing Kit .....	WKH1356	Sealed Bearing .....		
<b>1993-1989 V8 Quattro; 100 Quattro, 100 Wgn., 200 Turbo &amp; 200 Wgn. w/Man. Transaxle:</b>			..... FW137		
	Sealed Bearing .....	FW136	<b>1987-1986 4000CS &amp; 4000CS Quattro:</b>		
	C-Clip .....	CIR136	Sealed Bearing .....		
	Bearing Kit .....	WKH1356	..... FW109		
<b>1993-1989 V8 Quattro; 100 Quattro, 100 Wgn., 200 Turbo &amp; 200 Wgn. w/Man. Transaxle:</b>			<b>1987-1973 Coupe, Fox &amp; 4000S:</b>		
	Sealed Bearing .....	FW136	Sealed Bearing .....		
	C-Clip .....	CIR136	..... B38		
	Bearing Kit .....	WKH1356	Bearing Kit .....		
<b>1993-1989 V8 Quattro; 100 Quattro, 100 Wgn., 200 Turbo &amp; 200 Wgn. w/Man. Transaxle:</b>			..... WKH575		
	Sealed Bearing .....	FW136	<b>1985-1983 Quattro:</b>		
	C-Clip .....	CIR136	Sealed Bearing .....		
	Bearing Kit .....	WKH1356	..... FW109		
<b>1993-1989 V8 Quattro; 100 Quattro, 100 Wgn., 200 Turbo &amp; 200 Wgn. w/Man. Transaxle:</b>			<b>1985-1978 5000 Series Thru 7/85; 5000 w/Turbo Thru</b>		
	Sealed Bearing .....	FW136	<b>Chas. 44G031043:</b>		
	C-Clip .....	CIR136	Sealed Bearing .....		
	Bearing Kit .....	WKH1356	..... FW109		
			(Continued)		

MFG./YEAR	MODEL & LOCATION	PART NO.	MFG./YEAR	MODEL & LOCATION	PART NO.
<b>Wheel Front (Cont.)</b>			<b>Wheel Rear (Cont.)</b>		
1977-1975	100:		1989-1988	80 & 90 w/Disc Brks.:	
	Sealed Bearing .....	FW109		Bearing (Outer) .....	BR2
	Bearing Kit .....	WKH613		(Set Components) .....	LM11949/LM11910
1974-1970	100:		1988-1986	5000 Quattro:	
	Bearing .....	LM300849/LM300811		Sealed Bearing (75mm O.D.) .....	FW109
1972-1967	Super 90:			Sealed Bearing (82mm O.D.) .....	FW137
	Bearing .....	LM300849/LM300811	1987-1983	Quattro & 4000 Quattro:	
<b>Wheel Rear</b>				Sealed Bearing .....	FW109
1995	A6 & S6 Exc. Quattro:		1987-1980	Coupe & 4000 Exc. Quattro:	
	Seal .....	15800		Seal .....	15805
	Bearing (Inner) .....	BR8		Bearing (Inner) .....	BR8
	(Set Components) .....	L45449/L45410		(Set Components) .....	L45449/L45410
	Bearing (Outer) .....	BR2		Bearing (Outer) .....	BR1
	(Set Components) .....	LM11949/LM11910		(Set Components) .....	LM11749/LM11710
1995	A6 & S6 Quattro:		1987-1978	5000S & 5000:	
	Sealed Bearing .....	FW136		Seal .....	15805
	C-Clip .....	CIR136		Bearing (Inner) .....	BR8
	Bearing Kit .....	WKH1356		(Set Components) .....	L45449/L45410
1995-1994	Cabriolet:			Bearing (Outer) .....	BR2
	Seal .....	15800		(Set Components) .....	LM11949/LM11910
	Bearing (Inner) .....	BR8	1979-1973	Fox:	
	(Set Components) .....	L45449/L45410		Seal .....	15805
	Bearing (Outer) .....	BR2		Bearing (Inner) .....	BR8
	(Set Components) .....	LM11949/LM11910		(Set Components) .....	L45449/L45410
1995-1993	90 Quattro:			Bearing (Outer) .....	BR1
	Sealed Bearing .....	FW167		(Set Components) .....	LM11749/LM11710
	Bearing Kit .....	WKH1355	1977-1974	100 From Chas. 0101217:	
1995-1990	80 & 90 Exc. Quattro:			Seal .....	14708
	Seal .....	15800		Bearing (Inner) .....	BR8
	Bearing (Inner) .....	BR8		(Set Components) .....	L45449/L45410
	(Set Components) .....	L45449/L45410		Bearing (Outer) .....	BR1
	Bearing (Outer) .....	BR2		(Set Components) .....	LM11749/LM11710
	(Set Components) .....	LM11949/LM11910	1974-1970	100 Thru Chas. 0101216:	
1994	V8 Quattro:			Seal .....	15805
	Sealed Bearing .....	FW136		Bearing (Inner) .....	BR8
	C-Clip .....	CIR136		(Set Components) .....	L45449/L45410
1994-1993	100 Exc. Quattro:			Bearing (Outer) .....	BR1
	Seal .....	15805		(Set Components) .....	LM11749/LM11710
	Sealed Bearing .....	FW136	1972-1970	Super 90:	
	C-Clip .....	CIR136		Seal .....	14705
1993-1990	V8 Quattro & Coupe Quattro:			Bearing (Inner) .....	BR8
	Sealed Bearing .....	FW136		(Set Components) .....	L45449/L45410
	C-Clip .....	CIR136		Bearing (Outer) .....	BR1
	Bearing Kit .....	WKH1356		(Set Components) .....	LM11749/LM11710
1992	100:		1969-1966	Super 90:	
	Seal .....	15800		Bearing (Inner) .....	BR4
	Bearing (Inner) .....	BR8		(Set Components) .....	L44649/L44610
	(Set Components) .....	L45449/L45410		Bearing (Outer) .....	BR1
	Bearing (Outer) .....	BR2		(Set Components) .....	LM11749/LM11710
	(Set Components) .....	LM11949/LM11910	<b>Pinion</b>		
1991-1989	100 & 200 Exc. Quattro:		<b>Front Axle</b>		
	Seal .....	15805	1993-1990	Quattro V8:	
	Bearing (Inner) .....	BR8		Seal .....	15803
	(Set Components) .....	L45449/L45410		(Speedi-Sleeve) .....	99157
	Bearing (Outer) .....	BR2		Bearing (Front) .....	BR52
	(Set Components) .....	LM11949/LM11910		(Set Components) .....	M88048/M88010
1989-1988	80 & 90 w/o Disc Brks.:				(Continued)
	Seal .....	15731			
	Bearing (Inner) .....	BR8			
	(Set Components) .....	L45449/L45410			
	Bearing (Outer) .....	BR1			
	(Set Components) .....	LM11749/LM11710			
	Bearing Kit .....	WKH529			

## Passenger cars, light & medium trucks

### Audi -- (Cont.)

MFG./YEAR	MODEL & LOCATION	PART NO.	MFG./YEAR	MODEL & LOCATION	PART NO.
<b>Pinion (Cont.)</b>			<b>Differential</b>		
<b>Front Axle (Cont.)</b>			<b>Rear Axle</b>		
<b>1991-1989 100:</b>			<b>1988-1985 4000 Quattro; 5000 Quattro w/Turbo Eng.:</b>		
	Seal .....	10930		Seal (R.H.) .....	17629
	(Speedi-Sleeve) .....	99111		(Speedi-Sleeve) (R.H.) .....	99177
	Bearing (Front) .....	M86649/M86610		Bearing (L.H.) .....	BR37
	Bearing (Rear) .....	BR52		(Set Components) .....	LM603049/LM603011
	(Set Components) .....	M88048/M88010		Bearing (R.H.) .....	BR35
				(Set Components) .....	LM501349/LM501310
<b>1988-1987 5000S Quattro:</b>			<b>1985-1983 Quattro:</b>		
	Seal .....	15803		Seal (L.H.) .....	17629
	(Speedi-Sleeve) .....	99157		(Speedi-Sleeve) (L.H.) .....	99177
	Bearing (Front) .....	6206-J		Bearing (L.H.) .....	BR37
	Bearing (Rear) .....	6012-VSP11		(Set Components) .....	LM603049/LM603011
<b>1987-1981 Coupe:</b>				Bearing (R.H.) .....	BR35
	Seal .....	10923		(Set Components) .....	LM501349/LM501310
	(Speedi-Sleeve) .....	99111	<b>Clutch</b>		
	Bearing (Front) .....	BR52	<b>Pilot</b>		
	(Set Components) .....	M88048/M88010	<b>1991-1989 80 &amp; 90 w/5 Cyl. Eng.:</b>		
	Bearing (Rear) .....	M86649/M86610		Bearing .....	6202-2RSJ
<b>1987-1980 4000 w/4 Cyl. Eng.:</b>			<b>1991-1989 Coupe Quattro; 100 Series:</b>		
	Seal .....	10173		Bearing .....	6202-2RSJ
	(Speedi-Sleeve) .....	99103	<b>Release</b>		
	Bearing .....	[2] M86649/M86610	<b>1988 5000 Turbo Quattro:</b>		
<b>1987-1980 4000S w/5 Cyl. Eng.:</b>				Bearing Assembly .....	N4100
	Seal .....	10923	<b>1987-1986 Coupe, Quattro, 4000S &amp; 5000 Quattro Wgn.</b>		
	(Speedi-Sleeve) .....	99111	<b>w/Metal Sleeve:</b>		
	Bearing (Front) .....	BR52		Bearing Assembly .....	N4100
	(Set Components) .....	M88048/M88010	<b>1987-1986 Coupe, Quattro, 4000S &amp; 5000S Quattro</b>		
	Bearing (Rear) .....	M86649/M86610	<b>w/Plastic Sleeve:</b>		
<b>1987-1978 5000:</b>				Bearing Assembly .....	N4100
	Seal .....	10923	<b>1987-1985 4000 Quattro w/Metal Sleeve:</b>		
	(Speedi-Sleeve) .....	99111		Bearing Assembly .....	N4100
	Bearing (Front) .....	BR52	<b>1985-1974 w/Plastic Sleeve:</b>		
	(Set Components) .....	M88048/M88010		Bearing Assembly .....	N4100
	Bearing (Rear) .....	M86649/M86610	<b>1973-1970 100:</b>		
<b>1986 5000S Turbo:</b>				Bearing Assembly .....	N1845
	Seal .....	10923	<b>1972-1970 Super 90 From Chas. 21048714:</b>		
	(Speedi-Sleeve) .....	99111		Bearing Assembly .....	N1850
	Bearing (Front) .....	BR52	<b>1970-1967 Super 90 Thru Chas. 21048713:</b>		
	(Set Components) .....	M88048/M88010		Bearing Assembly .....	N1845
	Bearing (Rear) .....	M86649/M86610	<b>Transaxle-Automatic</b>		
<b>1978-1970 Fox &amp; 100 w/Auto. Trans.:</b>			<b>Differential</b>		
	Seal .....	16456	<b>1994-1993 90 w/4 Spd. Trans.:</b>		
	Bearing .....	M86649/M86610		Bearing .....	[2] LM300849/LM300811
<b>Rear Axle</b>			<b>1992-1990 80 &amp; 90 w/o 4 Cyl. Eng.:</b>		
<b>1995-1990 80, 90, 100, 200, Cabriolet, Coupe Quattro, V8</b>				Bearing .....	[2] LM300849/LM300811
<b>Quattro, S4, A6, S6:</b>			<b>1992-1989 100:</b>		
	Bearing (Front) .....	BR52		Bearing .....	[2] LM300849/LM300811
	(Set Components) .....	M88048/M88010	<b>1990-1988 80 &amp; 90 w/4 Cyl. Eng.:</b>		
<b>1988-1986 5000S Quattro:</b>				Bearing .....	[2] LM29749/LM29710
	Seal .....	15803	<b>1988-1986 Quattro, 4000CS Quattro &amp; 5000S Quattro:</b>		
	(Speedi-Sleeve) .....	99157		Bearing (L.H.) .....	BR35
	Bearing (Front) .....	6206-J		(Set Components) .....	LM501349/LM501310
	Bearing (Center) .....	BR52		Bearing (R.H.) .....	LM300849/LM300811
	(Set Components) .....	M88048/M88010	<b>1987-1985 Coupe:</b>		
<b>1987-1985 4000 Quattro:</b>				Bearing .....	LM300849/LM300811
	Bearing (Front) .....	BR52	<b>1987-1980 4000 w/4 Cyl. Eng.:</b>		
	(Set Components) .....	M88048/M88010		Bearing .....	LM29749/LM29710
<b>1985-1983 Quattro:</b>			(Continued)		
	Seal (Rear) .....	14744			
	(Speedi-Sleeve) .....	99147			
	Bearing (Front) .....	BR52			
	(Set Components) .....	M88048/M88010			



MFG./YEAR	MODEL & LOCATION	PART NO.	MFG./YEAR	MODEL & LOCATION	PART NO.
<b>Transaxle-Automatic (Cont.)</b>			<b>Transaxle-Manual (Cont.)</b>		
<b>Differential (Cont.)</b>			<b>Differential (Cont.)</b>		
1986-1980	5000 Turbo:		1987-1986	Quattro & 4000CS Quattro:	
	Bearing .....	LM300849/LM300811		Bearing (L.H.) .....	BR35
1985	Quattro:			(Set Components) .....	LM501349/LM501310
	Bearing (L.H.) .....	BR35		Bearing (R.H.) .....	LM300849/LM300811
	(Set Components) .....	LM501349/LM501310	1987-1985	4000S w/4 Cyl. Eng.:	
	Bearing (R.H.) .....	6015-J		Bearing .....	LM300849/LM300811
1984-1983	Quattro:		1987-1985	4000S w/5 Cyl. Eng.:	
	Bearing (L.H.) .....	BR35		Bearing (L.H.) .....	BR35
	(Set Components) .....	LM501349/LM501310		(Set Components) .....	LM501349/LM501310
	Bearing (R.H.) .....	LM300849/LM300811		Bearing (R.H.) .....	LM300849/LM300811
1984-1982	4000S w/5 Cyl. Eng.:		1987-1981	Coupe:	
	Bearing .....	LM300849/LM300811		Bearing (L.H.) .....	BR35
1979-1976	Fox:			(Set Components) .....	LM501349/LM501310
	Bearing .....	LM29749/LM29710		Bearing (R.H.) .....	LM300849/LM300811
1977-1974	100:		1985	Quattro:	
	Bearing .....	LM300849/LM300811		Bearing (L.H.) .....	BR35
				(Set Components) .....	LM501349/LM501310
				Bearing (R.H.) .....	6015-J
<b>Front Pump</b>			1984-1983	Quattro:	
1994-1993	90 w/4 Spd. Trans.:			Bearing (L.H.) .....	BR35
	Seal .....	20210		(Set Components) .....	LM501349/LM501310
1992-1990	80, 90 & 100 w/4 Spd. Trans.:			Bearing (R.H.) .....	LM300849/LM300811
	Seal .....	20210	1984-1980	4000 w/4 Cyl. Eng.:	
1992-1988	80 & 90 w/o 4 Spd. Trans.:			Bearing .....	LM300849/LM300811
	Seal .....	16456	1984-1980	4000 w/5 Cyl. Eng.:	
1989	100:			Bearing (L.H.) .....	BR35
	Seal .....	16456		(Set Components) .....	LM501349/LM501310
1988-1973	Coupe, Fox, 4000 & 5000:			Bearing (R.H.) .....	LM300849/LM300811
	Seal .....	16456	1979-1973	Fox:	
1977-1970	100:			Bearing .....	LM300849/LM300811
	Seal .....	11611	1977-1970	100:	
	(Speedi-Sleeve) .....	99114		Bearing .....	32008-X
<b>Output Shaft</b>			<b>Input Shaft</b>		
1994-1993	90 w/4 Spd. Transaxle:		1994-1990	80 & 90:	
	Seal (L.H.) .....	12817		Seal .....	9732
	Seal (R.H.) .....	17696		(Speedi-Sleeve) .....	99098
1992-1974	Coupe, Fox, 80, 90, 100, 4000 & 5000S:		1992	100:	
	Seal .....	17629		Seal .....	9732
	(Speedi-Sleeve) .....	99177		(Speedi-Sleeve) .....	99098
1973-1970	100:		1991-1989	100:	
	Seal .....	15803		Seal .....	9727
	(Speedi-Sleeve) .....	99157		(Speedi-Sleeve) .....	99098
<b>Transaxle-Manual</b>			1989-1988	80 & 90:	
<b>Differential</b>				Seal .....	9727
1994-1993	90 & 90 Quattro:			(Speedi-Sleeve) .....	99098
	Bearing (L.H.) .....	BR35	1988-1987	5000S Quattro:	
	(Set Components) .....	LM501349/LM501310		Seal .....	9727
	Bearing (R.H.) .....	LM300849/LM300811		(Speedi-Sleeve) .....	99098
1993-1989	Quattro V8 & 100:		1987-1985	4000S w/1.8L Eng.:	
	Bearing (L.H.) .....	BR35		Seal .....	7915
	(Set Components) .....	LM501349/LM501310		(Speedi-Sleeve) .....	99078
	Bearing (R.H.) .....	LM300849/LM300811	1987-1985	4000S w/2.2L Eng.:	
1989-1988	80 & 90:			Seal .....	9727
	Bearing (L.H.) .....	BR35		(Speedi-Sleeve) .....	99098
	(Set Components) .....	LM501349/LM501310	1987-1978	Coupe, Quattro, 4000 Quattro & 5000:	
	Bearing (R.H.) .....	LM300849/LM300811		Seal .....	9727
1988-1980	5000 Series Exc. Turbo:			(Speedi-Sleeve) .....	99098
	Bearing (L.H.) .....	BR35	1984-1982	4000 w/5 Spd. Trans.:	
	(Set Components) .....	LM501349/LM501310		Seal .....	9727
	Bearing (R.H.) .....	LM300849/LM300811		(Speedi-Sleeve) .....	99098

(Continued)

**Audi -- (Cont.)**

MFG./YEAR	MODEL & LOCATION	PART NO.	MFG./YEAR	MODEL & LOCATION	PART NO.
<b>Transaxle-Manual (Cont.)</b>			<b>Transmission-Automatic (Cont.)</b>		
<b>Input Shaft (Cont.)</b>			<b>Rear</b>		
1981-1970	Fox, 100 & 4000:		1993-1990	Quattro V8:	
	Seal .....	7915		Seal .....	15800
	(Speedi-Sleeve) .....	99098		(Speedi-Sleeve) .....	99157
1972-1966	Super 90:		<b>Transmission-Manual</b>		
	Bearing .....	6305-NRJ	<b>Front</b>		
<b>Output Shaft</b>			1993-1990	Quattro V8:	
1994-1988	80 & 90:			Seal .....	9732
	Seal .....	17629		(Speedi-Sleeve) .....	99098
	(Speedi-Sleeve) .....	99177	<b>Air Conditioning Compressor</b>		
1992	100:		1988-1984	5000S Turbo & 5000 Turbo:	
	Seal .....	17730		Bearing .....	5908-VAW
	(Speedi-Sleeve) .....	99177	<b>Alternator</b>		
1991-1989	100:		1995-1992	S4 & S6:	
	Seal .....	17629		Bearing (Front) .....	6303-2RSJ
	(Speedi-Sleeve) .....	99177	1988-1987	110 Amp.:	
1988-1980	Coupe, Quattro, 4000 & 5000S:			Bearing (Front) .....	6303-2RSJ
	Seal .....	17629		Bearing (Rear) .....	6201-2RSJ
	(Speedi-Sleeve) .....	99177	1987-1986	90 Amp. Exc. Alt. No. 0353015D:	
1987-1985	4000S w/1.8L Eng.:			Bearing (Front) .....	6303-2RSJ
	Seal .....	15803	1987-1986	90 Amp. w/Alt. No. 0353015D:	
	(Speedi-Sleeve) .....	99157		Bearing (Front) .....	6303-ZJ
1987-1985	4000S w/2.2L Eng.:		1986	65 Amp.:	
	Seal .....	17629		Bearing (Front) .....	6303-2RSJ
	(Speedi-Sleeve) .....	99177	1985	4000S w/65 Amp. & 4 Cyl. Eng.:	
1979-1973	Fox:			Bearing (Front) .....	6203-2RSJ
	Seal .....	15803		Bearing (Rear) .....	6201-2RSJ
	(Speedi-Sleeve) .....	99157	1984	Coupe w/65 Amp.:	
1977-1974	100:			Bearing (Front) .....	6203-2RSJ
	Seal .....	17629		Bearing (Rear) .....	6201-2RSJ
	(Speedi-Sleeve) .....	99177	1984	5000 w/90 Amp.:	
1973-1970	100:			Bearing (Front) .....	6303-2RSJ
	Seal .....	15803	1984-1982	Coupe w/75 Amp.:	
	(Speedi-Sleeve) .....	99157		Bearing (Front) .....	6303-2RSJ
<b>Rear Output Shaft</b>			1984-1982	4000 w/4 Cyl. Eng.:	
1994-1990	80 & 90 Quattro w/5 Spd. Trans.:			Bearing (Front) .....	6303-2RSJ
	Seal .....	6405	1984-1982	5000 & 5000S w/65 Amp.:	
	(Speedi-Sleeve) .....	99058		Bearing (Front) .....	6203-2RSJ
1989-1988	80 & 90:			Bearing (Rear) .....	6201-2RSJ
	Seal .....	6405	1984-1980	Quattro & 4000S w/90 Amp.; 4000 w/5 Cyl. Eng.:	
	(Speedi-Sleeve) .....	99058		Bearing (Front) .....	6303-2ZJ
1988-1982	5000S Quattro:		1983-1980	5000 w/75 Amp.:	
	Seal .....	15803		Bearing (Front) .....	6303-2ZJ
	(Speedi-Sleeve) .....	99157	1983-1978	5000 Turbo w/90 Amp.:	
	Bearing (Front) .....	6012-VSP11		Bearing (Front) .....	6303-2ZJ
	Bearing (Rear) .....	6206-J	1981	Coupe w/75 Amp.:	
<b>Shift Shaft</b>				Bearing (Front) .....	6202-2RSJ
1986	All:		1981	Coupe w/90 Amp.:	
	Seal .....	6403		Bearing (Front) .....	6303-2ZJ
	(Speedi-Sleeve) .....	99058	1981-1980	4000 w/75 Amp.:	
1985-1970	All:			Bearing (Front) .....	6202-2RSJ
	Seal .....	5790	1981-1980	5000 w/65 Amp.:	
	(Speedi-Sleeve) .....	99059		Bearing (Front) .....	6203-2RSJ
<b>Transmission-Automatic</b>				Bearing (Rear) .....	6201-ZJ
<b>Front Pump</b>			1979-1978	5000 w/75 Amp.:	
1993-1990	Quattro V8:			Bearing (Rear) .....	6201-ZJ
	Seal .....	15800	1979-1977	Fox:	
	(Speedi-Sleeve) .....	99157		Bearing (Front) .....	6203-2RSJ
				Bearing (Rear) .....	6201-ZJ

(Continued)

MFG./YEAR	MODEL & LOCATION	PART NO.	MFG./YEAR	MODEL & LOCATION	PART NO.
<b>Alternator (Cont.)</b>			<b>Engine (Cont.)</b>		
1976-1973	Fox Exc. A/C:		<b>Timing Belt Tensioner</b>		
	Bearing (Front) .....	6203-2RSJ	1995-1992	2.8L Eng.:	
	Bearing (Rear) .....	6201-2RSJ		Bearing & Housing Assy. ....	VKM11200
1976-1973	Fox w/A/C:		1991-1989	2.3L Eng.:	
	Bearing (Rear) .....	6303-ZJ		Bearing & Housing Assy. ....	VKM21031
<b>Engine</b>			1990-1988	2.0L Eng.:	
<b>Auxiliary Shaft</b>				Bearing & Housing Assy. ....	VKM11000
1991-1990	3.6L Eng.:		<b>Timing Belt Tensioner and Water Pump</b>		
	Seal .....	13709	1991-1988	2.2L Turbo Eng.:	
	(Speedi-Sleeve) .....	99139		Bearing & Housing Assy. ....	VKPC81606
1991-1978	2.0L, 2.2L & 2.3L Engs.:		1989-1988	90:	
	Seal .....	12724		Bearing & Housing Assy. ....	VKPC81605
	(Speedi-Sleeve) .....	99128	<b>Timing Belt and Tensioner Kit</b>		
<b>Camshaft</b>			1990-1988	80 & 90 w/2.0L Eng.:	
1995-1978	2.0L, 2.2L, 2.3L, 2.6L, 2.8L, 3.2L & 4.2L Engs.:			Belt & Tensioner Kit .....	VKMA01000
	Seal .....	12724	<b>Timing Cover</b>		
	(Speedi-Sleeve) .....	99128	1995-1978	2.0L, 2.2L, 2.3L, 2.6L & 2.8L Engs.:	
<b>Crankshaft-Rear</b>				Seal .....	13709
1995-1990	2.2L, 2.6L, 2.8L, 3.6L & 4.2L Engs.:			(Speedi-Sleeve) .....	99139
	Seal .....	33413	1991-1990	3.6L Eng.:	
	(Speedi-Sleeve) .....	99332		Seal .....	12724
1991-1989	2.3L Eng.:			(Speedi-Sleeve) .....	99128
	Seal .....	33413	1987-1980	1.6L, 1.7L, 1.8L, 2.1L & Diesel Engs.:	
	(Speedi-Sleeve) .....	99332		Seal .....	12724
1988-1978	2.0L, 2.2L & 2.3L Engs.:			(Speedi-Sleeve) .....	99128
	Seal .....	33416	1979-1973	Fox:	
	(Speedi-Sleeve) .....	99334		Seal .....	12364
1977-1970	1.8L Eng.:			(Speedi-Sleeve) .....	99125
	Seal .....	37825	1977-1970	100:	
<b>Oil Pump</b>				Seal .....	18877
1995-1992	2.2L Eng.:			(Speedi-Sleeve) .....	99189
	Seal .....	13709	<b>Steering-Power</b>		
	(Speedi-Sleeve) .....	99139	<b>Pump Shaft</b>		
<b>Timing Belt Idler</b>			1988-1986	5000S & 5000 Turbo:	
1995	Cabriolet:			Seal .....	6410
	Bearing & Housing Assy. ....	VKM21052	1986	4000CS/S From Ser. 160001:	
1995-1992	100 & A6 w/2.8L Eng.:			Seal .....	7475
	Bearing & Housing Assy. ....	VKM21201			
1991-1984	90, 100, 200 & Coupe w/2.0L, 2.1L, 2.2L & 2.3L Engs.:				
	Bearing & Housing Assy. ....	VKM21032			
1990-1988	80, 90 & 100 w/4 Spd. Trans.:				
	Bearing & Housing Assy. ....	VKM21031			

<b>Austin</b>					
<b>Wheel Front</b>			<b>Wheel Front (Cont.)</b>		
1975-1973	Marina:		1971-1965	Mini-Moke:	
	Seal .....	14705		Seal .....	18962
	Bearing .....	[2] BR4	1971-1964	1100:	
	(Set Components) .....	L44649/L44610		Seal (Outer) .....	18962
1975-1965	1800:		1971-1959	Mini-Cooper, Mini-Cooper S & 850:	
	Bearing .....	[2] BR5		Seal .....	18962
	(Set Components) .....	LM48548/LM48510	1967-1957	A35, A40 & Farinac:	
1971-1968	America:			Seal .....	13649
	Seal .....	18962	1966-1961	A60:	
	Bearing (Inner) .....	BR4		Seal .....	550085
	(Set Components) .....	L44649/L44610			(Continued)
	Bearing (Outer) .....	BR1			
	(Set Components) .....	LM11749/LM11710			

**Austin -- (Cont.)**

MFG./YEAR	MODEL & LOCATION	PART NO.	MFG./YEAR	MODEL & LOCATION	PART NO.
<b>Wheel Rear</b>			<b>Pinion (Cont.)</b>		
1975-1973	Marina:		1962-1954	A50 & A55:	
	Seal .....	9878		Seal .....	15142
1975-1964	1800 & 1800S:			(Speedi-Sleeve) .....	99149
	Bearing (Inner) .....	BR6		(Speedi-Sleeve/Seal Kit) .....	480151
	(Set Components) .....	LM67048/LM67010	<b>Clutch</b>		
	Bearing (Outer) .....	BR4	<b>Pilot</b>		
	(Set Components) .....	L44649/L44610	1971-1965	1800:	
1971-1965	America & Mini-Moke:			Bearing .....	6307-J
	Seal .....	13649	<b>Release</b>		
1971-1964	1100:		1975-1973	Marina:	
	Seal .....	18962		Bearing Only .....	N3043
1971-1960	Mini (Seven):		<b>Transmission-Automatic</b>		
	Seal .....	13649	<b>Mainshaft</b>		
1971-1959	Mini-Cooper, Mini-Cooper S & 850:		1968-1954	A105, A110, A90, A95 & A99:	
	Seal .....	13649		Seal .....	15620
1969-1962	A60:			(Speedi-Sleeve) .....	99156
	Seal .....	19264	<b>Generator</b>		
1969-1959	A40:		1971-1967	America:	
	Seal (Inner) .....	17386		Bearing .....	6202-J
1968-1954	A105, A110, A90, A95 & A99:		<b>Steering-Standard</b>		
	Seal .....	21098	<b>Idler Body</b>		
1962-1954	A50 & A55:		1961-1954	A105, A90, A95 & A99:	
	Seal .....	17386		Seal .....	9876
<b>Pinion</b>					
1969-1961	A60:				
	Seal .....	15142			
	(Speedi-Sleeve) .....	99149			
	(Speedi-Sleeve/Seal Kit) .....	480151			
1967-1955	A40:				
	Seal .....	15142			
	(Speedi-Sleeve) .....	99149			
	(Speedi-Sleeve/Seal Kit) .....	480151			

**Austin-Healey**

<b>Wheel Front</b>			<b>Transmission-Manual</b>		
1967-1959	3000 MK1, 2 & 3:		<b>Front</b>		
	Bearing (Inner) .....	BR6	1969-1959	3000:	
	(Set Components) .....	LM67048/LM67010		Bearing .....	6308-NRJ
	Bearing (Outer) .....	BR2	<b>Mainshaft</b>		
	(Set Components) .....	LM11949/LM11910	1969-1959	3000 MK2 & 3 w/O/D Trans.:	
1967-1954	100/4 & 100/6:			Bearing .....	6206-J
	Seal .....	550085	<b>Mainshaft Center</b>		
<b>Wheel Rear</b>			1969-1959	3000:	
1971-1958	Sprite MK1, 2, 3 & 4:			Bearing .....	6307-NJ
	Seal .....	17386	<b>Rear</b>		
	Bearing .....	6207-J	1969-1959	3000:	
1968-1954	100/4, 100/6, 3000 MK1, 2, 3 & 4:			Bearing .....	6307-NRJ
	Seal .....	19264	<b>Engine</b>		
<b>Pinion</b>			<b>Timing Cover</b>		
1971-1958	Sprite MK1, 2, 3 & 4:		1967-1954	100/4, 100/6, 3000 MK1, 2 & 3:	
	Seal .....	15142		Seal .....	19220
	(Speedi-Sleeve) .....	99149		(Speedi-Sleeve) .....	99193
	(Speedi-Sleeve/Seal Kit) .....	480151	<b>Generator</b>		
1969-1959	3000:		1972-1965	Sprite:	
	Bearing .....	[2] BR3478/BR3420		Bearing .....	6203-J
			(Continued)		

MFG./YEAR	MODEL & LOCATION	PART NO.	MFG./YEAR	MODEL & LOCATION	PART NO.
<b>Steering-Standard</b>					
<b>Idler Body</b>					
1968-1962 MK2, MK3 & 3000:					
	Seal .....	9876			

**Avanti II**

<b>Wheel Front</b>		
1988-1976 All:		
	Seal (Inner) .....	16069
	Bearing (Inner) .....	BR6
	(Set Components) .....	LM67048/LM67010
	Bearing (Outer) .....	BR2
	(Set Components) .....	LM11949/LM11910
<b>Wheel Rear</b>		
1988-1976 All:		
	Bearing (Inner) .....	BR10
1971-1967 All:		
	Seal (Inner) .....	13165
<b>Pinion</b>		
1984-1976 All:		
	Seal .....	15788
	(Speedi-Sleeve) .....	99155
	Bearing (Front) .....	BR02872/BR02820
	Bearing (Rear) .....	BR31594/BR31520
1975-1967 All:		
	Seal .....	15788
	(Speedi-Sleeve) .....	99155
<b>Differential</b>		
1982-1976 All:		
	Bearing .....	BR25577/BR25523
<b>Transmission-Automatic</b>		
<b>Front Pump</b>		
1984-1982 All:		
	Seal .....	17458
	(Speedi-Sleeve) .....	99174
1981-1972 All:		
	Seal .....	18692
	(Speedi-Sleeve) .....	99187
	(Speedi-Sleeve/Seal Kit) .....	480187

<b>Transmission-Automatic (Cont.)</b>		
<b>Front Pump (Cont.)</b>		
1971-1967 All:		
	Seal .....	19240
	(Speedi-Sleeve) .....	99193
<b>Rear</b>		
1984-1981 All:		
	Seal .....	15041
	(Speedi-Sleeve) .....	99149
	(Speedi-Sleeve/Seal Kit) .....	480150
1980-1972 All:		
	Seal .....	18992
1971-1967 All:		
	Seal .....	15005
	(Speedi-Sleeve) .....	99149
	(Speedi-Sleeve/Seal Kit) .....	480152
<b>Engine</b>		
<b>Crankshaft-Rear</b>		
1984-1967 All:		
	Seal .....	199
<b>Timing Cover</b>		
1984-1967 All:		
	Seal .....	17286
	(Speedi-Sleeve) .....	99176
	(Speedi-Sleeve/Seal Kit) .....	480177

**Bertone**

<b>Wheel Front</b>		
1987-1984 X1/9:		
	Seal .....	9708
	Sealed Bearing .....	B33
<b>Wheel Rear</b>		
1987-1984 X1/9:		
	Seal .....	11618
<b>Engine</b>		
<b>Auxiliary Shaft</b>		
1987-1984 X1/9:		
	Seal .....	11640
	(Speedi-Sleeve) .....	99114

<b>Engine (Cont.)</b>		
<b>Camshaft</b>		
1987-1984 X1/9:		
	Seal .....	11640
	(Speedi-Sleeve) .....	99114
<b>Timing Cover</b>		
1987-1984 X1/9:		
	Seal .....	15826
	(Speedi-Sleeve) .....	99157

**BMW**

MFG./YEAR	MODEL & LOCATION	PART NO.	MFG./YEAR	MODEL & LOCATION	PART NO.
<b>Wheel Front</b>			<b>Wheel Front (Cont.)</b>		
1995-1992	318 Series, 325i & 325is:		1981-1975	528i & 530i:	
	Hub Assembly	BR930161		Seal	17736
1995	M3:			Bearing (Inner)	BR6
	Hub Assembly	BR930161		(Set Components)	LM67048/LM67010
1995-1992	840 Series & 850 Series From 4/92:			Bearing (Outer)	BR2
	Hub Assembly	BR930161		(Set Components)	LM11949/LM11910
1995	740 & 750 Series From 11/95:			Bearing Kit	WKH515
	Hub Assembly	BR930164	1979-1977	320i:	
1995-1994	530i Series & 540i:			Seal	17736
	Hub Assembly	BR930161		Bearing (Inner)	BR6
1995-1992	735i, 735iL, 740i, 740iL & 750iL Thru 11/95:			(Set Components)	LM67048/LM67010
	Hub Assembly	BR930161		Bearing (Outer)	BR2
1995-1991	525 Series & 535 Series From 4/91:			(Set Components)	LM11949/LM11910
	Hub Assembly	BR930161		Bearing Kit	WKH515
1994-1992	735, 740 & 750 Series:		1977	630CSi & 633CSi:	
	Hub Assembly	BR930161		Seal	17736
1993-1991	M5:			Bearing (Inner)	BR6
	Hub Assembly	BR930349		(Set Components)	LM67048/LM67010
1992-1991	850i Thru 3/92:			Bearing (Outer)	BR2
	Hub Assembly	BR930162		(Set Components)	LM11949/LM11910
1991-1989	525i Thru 3/91:			Bearing Kit	WKH515
	Hub Assembly	BR930162	1976-1969	2500, 2800, 2800 Bavaria, 3.0 Bavaria, 3.0S 3.0Si:	
1991-1988	325iX:			Seal	17736
	Sealed Bearing	FW109		Bearing (Inner)	BR6
	Bearing Kit	WKH1320		(Set Components)	LM67048/LM67010
1991-1987	535i, 735i, 735iL & 750iL Thru 4/91:			Bearing (Outer)	BR2
	Hub Assembly	BR930162		(Set Components)	LM11949/LM11910
1991-1984	318i, 318CM42, 325, 325i, 325ic, 325iS, 325e & 325es w/ABS:		1976-1968	2002 & 2002A:	
	Hub Assembly	BR930050		Seal	15805
1991-1984	318i, 325e, 325es, 325i & 325ic w/o ABS:			Bearing (Inner)	BR8
	Hub Assembly	BR930050		(Set Components)	L45449/L45410
1989-1985	635CSi:			Bearing (Outer)	BR1
	Hub Assembly	BR930051		(Set Components)	LM11749/LM11710
1988	M5 Thru 9/88:		1974-1971	2002Tii:	
	Hub Assembly	BR930051		Seal	17736
1988-1987	M6:			Bearing (Inner)	BR6
	Hub Assembly	BR930051		(Set Components)	LM67048/LM67010
1988-1982	524td, 528e, 533i & 535i:			Bearing (Outer)	BR2
	Hub Assembly	BR930051		(Set Components)	LM11949/LM11910
1986-1978	733i & 735i:		1971-1968	1600/2 From Chas. 1561461:	
	Seal	18958		Seal	15805
	Bearing (Inner)	BR13		Bearing (Inner)	BR8
	(Set Components)	L68149/L68110		(Set Components)	L45449/L45410
	Bearing (Outer)	BR12		Bearing (Outer)	BR1
	(Set Components)	LM12749/LM12710		(Set Components)	LM11749/LM11710
1984-1983	633CSi:		1968-1967	1600/2 Thru Chas. 1561460:	
	Hub Assembly	BR930051		Seal	14704
1983-1980	320i:			Bearing (Inner)	BR4
	Seal	15805		(Set Components)	L44649/L44610
	Bearing (Inner)	BR8		Bearing (Outer)	BR1
	(Set Components)	L45449/L45410		(Set Components)	LM11749/LM11710
	Bearing (Outer)	BR1	1968-1966	2000, 2000CA, 2000CS & 2000Ti:	
	(Set Components)	LM11749/LM11710		Seal	550154
1982-1978	633CSi:			Bearing (Inner)	BR6
	Seal	18958		(Set Components)	LM67048/LM67010
	Bearing (Inner)	BR13		Bearing (Outer)	BR2
	(Set Components)	L68149/L68110		(Set Components)	LM11949/LM11910
	Bearing (Outer)	BR12			(Continued)
	(Set Components)	LM12749/LM12710			

MFG./YEAR	MODEL & LOCATION	PART NO.	MFG./YEAR	MODEL & LOCATION	PART NO.
<b>Wheel Front (Cont.)</b>			<b>Wheel Rear (Cont.)</b>		
1967-1966	1800 From Chas. 1272610:		1976	320i Thru 10/76:	
	Seal .....	550154		Seal .....	16509
	Bearing (Inner) .....	BR6	1968-1966	2000, 2000CA, 2000CS & 2000Ti:	
	(Set Components) .....	LM67048/LM67010		Bearing .....	6206-2RSJ
	Bearing (Outer) .....	BR2	1967-1966	1800 & 1800Ti:	
	(Set Components) .....	LM11949/LM11910		Bearing .....	6206-J
1967-1966	1800 Thru Chas. 1272609; 1800Ti Thru Chas. 1417850:		<b>Pinion</b>		
	Seal .....	14705	<b>Front Axle</b>		
	Bearing (Inner) .....	BR6	1991-1988	325iX:	
	(Set Components) .....	LM67048/LM67010		Bearing (Front) .....	BR35
	Bearing (Outer) .....	BR2		(Set Components) .....	LM501349/LM501310
	(Set Components) .....	LM11949/LM11910		Bearing (Rear) .....	BR52
<b>Wheel Rear</b>				(Set Components) .....	M88048/M88010
1995-1986	318i, 318is, 325e, 325es, 325i, 325ic & 325iX:		<b>Rear Axle</b>		
	Sealed Bearing .....	GRW231	1995-1991	318iS & 318CM42:	
1995	M3:			Seal .....	17717
	Sealed Bearing .....	GRW192		(Speedi-Sleeve) .....	99177
1995-1989	525 Series:			Bearing (Front) .....	BR35
	Sealed Bearing .....	GRW213		(Set Components) .....	LM501349/LM501310
1995-1988	530i, 540i, 735i, 735iL & 750iL:			Bearing (Rear) .....	HM88649/HM88610
	Sealed Bearing .....	FW161	1995-1988	750iL, 850Ci & 850i:	
	C-Clip .....	CIR161		Seal .....	19662
1993-1988	M5 & 535i:			(Speedi-Sleeve) .....	99196
	Sealed Bearing .....	FW161		Bearing (Front) .....	HM89448/HM89410
1991-1988	M3:			Bearing (Rear) .....	HM803149/HM803110
	Sealed Bearing .....	GRW231	1995	M3:	
1988-1983	M6, 633CSi & 635CSi:			Bearing (Front) .....	HM88542/HM88510
	Sealed Bearing .....	FW161		Bearing (Rear) .....	HM89449/HM89410
1987-1985	735i:		1995-1994	540i:	
	Sealed Bearing .....	FW161		Seal .....	19662
1987-1982	M5, 524td, 528e, 533i & 535i:			(Speedi-Sleeve) .....	99196
	Sealed Bearing .....	FW161		Bearing (Front) .....	HM89448/HM89410
1985-1984	318i, 325e & 325i:			Bearing (Rear) .....	HM803149/HM803110
	Sealed Bearing .....	GRW230	1995-1993	325i, 325iS & 530i:	
1984-1981	733i From 9/81:			Bearing (Front) .....	HM88542/HM88510
	Sealed Bearing .....	FW161		Bearing (Rear) .....	HM89449/HM89410
1983-1967	1600/2, 2002, 2002A, 2002Tii & 320i:		1993-1988	M5:	
	Seal .....	16509		Seal .....	19669
	Bearing .....	[2] GRW122		(Speedi-Sleeve) .....	99196
1982-1978	630CSi & 633CSi:			Bearing (Front) .....	HM89446/HM89410
	Seal (Inner) .....	16622	1992-1987	325i, 325iC, 525i & 535i:	
	Seal (Outer) .....	23440		Bearing (Front) .....	HM88542/HM88510
	Bearing (Inner) .....	6206-2RSJ		Bearing (Rear) .....	HM89449/HM89410
	Bearing (Outer) .....	6208-2RSJ	1992-1984	M3, 325, 325e, 325eS, 325iX, 735i & 735iL:	
1982-1977	320i From 10/76:			Seal .....	17783
	Seal .....	16509		(Speedi-Sleeve) .....	99177
	Bearing .....	[2] GRW122		Bearing (Front) .....	HM88542/HM88510
1981-1978	733i Thru 8/81:			Bearing (Rear) .....	HM89449/HM89410
	Seal (Inner) .....	16509	1989-1977	M6, 630CSi, 633CSi & 635CSi:	
	Seal (Outer) .....	23439		Seal .....	17783
	Bearing (Inner) .....	6206-J		(Speedi-Sleeve) .....	99177
	Bearing (Outer) .....	6208-J		Bearing (Front) .....	HM88542/HM88510
1981-1969	2500, 2800, 2800 Bavaria, 3.0 Bavaria, 3.0S, 3.0Si, 528i & 530i:			Bearing (Rear) .....	HM89449/HM89410
	Seal (Inner) .....	16622	1986-1982	524td, 528e, 533i & 535i:	
	Seal (Outer) .....	23440		Seal .....	17783
	Bearing (Inner) .....	6206-2RSJ		(Speedi-Sleeve) .....	99177
	Bearing (Outer) .....	6208-2RSJ		Bearing (Front) .....	HM88542/HM88510
1979-1978	635CSi:			Bearing (Rear) .....	HM89449/HM89410
	Bearing (Inner) .....	6206-J			(Continued)
	Bearing (Outer) .....	6208-J			

# Passenger cars, light & medium trucks

## BMW -- (Cont.)

MFG./YEAR	MODEL & LOCATION	PART NO.	MFG./YEAR	MODEL & LOCATION	PART NO.
<b>Pinion (Cont.)</b>			<b>Differential (Cont.)</b>		
<b>Rear Axle (Cont.)</b>			<b>Rear Axle (Cont.)</b>		
1985-1984	318i:		1995-1994	530i:	
	Seal	17762		Bearing	LM503349/LM503310
	(Speedi-Sleeve)	99177	1992-1991	318:	
	Bearing (Front)	BR35		Bearing	BR35
	(Set Components)	LM501349/LM501310		(Set Components)	LM501349/LM501310
	Bearing (Rear)	HM88649/HM88610	1992-1982	Exc. M5, 318i, 318CM42, 320i, 633CSi, 750iL & 850i:	
1984-1982	733i & 735i:			Bearing	BR35
	Seal	17783		(Set Components)	LM501349/LM501310
	(Speedi-Sleeve)	99177	1985-1984	318i:	
	Bearing (Front)	HM88542/HM88510		Bearing	BR35
	Bearing (Rear)	HM89449/HM89410		(Set Components)	LM501349/LM501310
1983-1979	320i:		1984-1978	633CSi:	
	Seal	17762		Seal	13954
	(Speedi-Sleeve)	99177		(Speedi-Sleeve)	99139
	Bearing (Front)	BR35		Bearing	LM503349-A/LM503310
	(Set Components)	LM501349/LM501310	1983-1979	320i:	
	Bearing (Rear)	HM89446/HM89410		Seal	14710
1981-1978	733i:			(Speedi-Sleeve)	99147
	Seal	19662		Bearing	BR35
	(Speedi-Sleeve)	99196		(Set Components)	LM501349/LM501310
	Bearing (Front)	HM89448/HM89410	1981-1978	733i:	
	Bearing (Rear)	HM803149/HM803110		Bearing	JLM104948/JLM104910
1981-1975	528i & 530i:		1981-1975	528i, 530i & 630CSi:	
	Bearing (Front)	HM88542/HM88510		Seal	13954
	Bearing (Rear)	HM89449/HM89410		(Speedi-Sleeve)	99139
1978-1977	320i:			Bearing	LM503349-A/LM503310
	Seal	17762	1976-1969	2500, 2800, 2800 Bavaria, 3.0 Bavaria, 3.0S & 3.0Si:	
	(Speedi-Sleeve)	99177		Seal	13954
	Bearing (Front)	BR35		(Speedi-Sleeve)	99139
	(Set Components)	LM501349/LM501310		Bearing	LM503349-A/LM503310
	Bearing (Rear)	HM88649/HM88610	1976-1967	1600/2, 2002, 2002A & 2002Ti:	
1976-1969	2500, 2800, 2800 Bavaria, 3.0 Bavaria, 3.0S & 3.0Si:			Seal	14710
	Seal	17783		(Speedi-Sleeve)	99147
	(Speedi-Sleeve)	99177		Bearing	BR35
	Bearing (Front)	HM88542/HM88510		(Set Components)	LM501349/LM501310
	Bearing (Rear)	HM89449/HM89410	1967-1966	1800 & 1800Ti:	
1976-1967	1600/2, 2002, 2002A & 2002Ti:			Bearing	LM503349-A/LM503310
	Seal	17762	<b>Clutch</b>		
	(Speedi-Sleeve)	99177	<b>Pilot</b>		
	Bearing (Front)	BR35	1995	M3:	
	(Set Components)	LM501349/LM501310		Bearing	6002-VSP
	Bearing (Rear)	HM88649/HM88610	1995-1991	850Ci & 850i:	
1972-1966	2000:			Bearing	6002-VSP
	Bearing (Front)	HM88542/HM88510	1991-1990	318CM42, 325i & 525i:	
	Bearing (Rear)	HM89449/HM89410		Bearing	6201-2RSJ
1967-1966	1800 & 1800Ti:		1989-1967	All:	
	Bearing (Front)	HM88542/HM88510		Bearing	6201-J
	Bearing (Rear)	HM89449/HM89410	<b>Release</b>		
<b>Differential</b>			1995	M3:	
<b>Front Axle</b>				Bearing Assembly	N4048
1991-1988	325iX:		1995-1991	850Ci & 850i:	
	Bearing	LM29749/LM29710		Bearing Assembly	N4101
<b>Rear Axle</b>			1995-1994	530i:	
1995-1991	318i, 318is & M3:			Bearing Assembly	N4048
	Bearing	BR35	1993-1973	Exc. 1600/2, 2002, 2002A, 2002Ti, 2500, 2800 Bavaria, 3.0 Bavaria, 850i & 850Ci:	
	(Set Components)	LM501349/LM501310		Bearing Assembly	N4048
1995-1988	M5, 540i, 750iL, 850Ci & 850i:				(Continued)
	Bearing	JLM104948/JLM104910			



MFG./YEAR	MODEL & LOCATION	PART NO.	MFG./YEAR	MODEL & LOCATION	PART NO.
<b>Transfer Case</b>			<b>Transmission-Automatic (Cont.)</b>		
<b>Front Output Shaft</b>			<b>Rear (Cont.)</b>		
1991-1988 325iX:			1976-1971 3.0 Bavaria, 3.0S & 3.0Si w/BW65 Trans.:		
	Seal .....	13945		Seal .....	15851
	(Speedi-Sleeve) .....	99139		(Speedi-Sleeve) .....	99157
<b>Input Shaft</b>			Bearing .....		
1991-1988 325iX w/o Auto. Trans.:			1976-1968 2002A:		
	Seal .....	12724		Seal .....	15846
	(Speedi-Sleeve) .....	99128		(Speedi-Sleeve) .....	99157
1991-1988 325iX w/Auto. Trans.:			Bearing .....		
	Seal .....	15804	1971-1969 2500, 2800 & 2800 Bavaria:		
	(Speedi-Sleeve) .....	99157		Seal .....	15846
<b>Rear Output Shaft</b>				(Speedi-Sleeve) .....	99157
1991-1988 325iX:				Bearing .....	6007-J
	Seal .....	17154	<b>Shift Shaft</b>		
<b>Transmission-Automatic</b>			1976-1971 BW65 Trans.:		
<b>Front Pump</b>			Seal .....		
1995-1979 Exc. 325i & 325iS:			4335		
	Seal (Viton) .....	15803	<b>Transmission-Manual</b>		
	Seal .....	15800	<b>Countershaft</b>		
	(Speedi-Sleeve) .....	99157	1975-1966 1600, 1800 & 2002 w/5 Spd. Trans.:		
1978-1975 530i w/BW65 Trans.:			Bearing .....		
	Seal .....	16518	6304-J		
	(Speedi-Sleeve) .....	99169	<b>Front</b>		
1976-1975 3.0Si w/ZF3HP22 Trans.:			1995-1991 850Ci & 850i w/6 Spd. Trans.:		
	Seal .....	15804		Seal .....	13896
	(Speedi-Sleeve) .....	99169		(Speedi-Sleeve) .....	99139
1976-1971 3.0 Bavaria, 3.0S & 3.0Si w/BW65 Trans.:			1995-1994 530i:		
	Seal .....	16518		Seal .....	13988
	(Speedi-Sleeve) .....	99169	1993-1991 318 w/5 Spd. Getrag 240 & 245 Trans.:		
1976-1968 2002A:			Seal .....		
	Seal .....	14716	11608		
	(Speedi-Sleeve) .....	99147	(Speedi-Sleeve) .....		
	Bearing .....	6207-NJ	1993-1978 5 Spd. Trans. Exc. 318CM42, 318i, 320i, 325i, 528i & 733i:		
1971-1969 2500, 2800 & 2800 Bavaria:			Seal .....		
	Seal .....	18877	13624		
	(Speedi-Sleeve) .....	99189	(Speedi-Sleeve) .....		
<b>Rear</b>			99139		
1994-1992 325ic:			1991-1990 325i w/5 Spd. 250G Trans.:		
	Bearing .....	HK3512		Seal .....	11662
1994-1991 850i:				(Speedi-Sleeve) .....	99114
	Seal .....	15920	1985-1984 318i w/ZFS5 5 Spd. Trans.:		
1994-1990 325i & 325iS:			Seal .....		
	Seal .....	15830	11625		
	(Speedi-Sleeve) .....	99157	(Speedi-Sleeve) .....		
1994-1978 733i, 735i, 735iL & 750iL:			1985-1978 318i, 320i & 733i w/5 Spd. Trans. Exc. ZFS5:		
	Seal .....	15750		Seal .....	11610
	(Speedi-Sleeve) .....	99157		(Speedi-Sleeve) .....	99114
1991-1988 525i & 535i w/4HP22 Trans. From 7/88:			1981-1969 2500, 2800, 2800 Bavaria, 3.0 Bavaria, 3.0S, 3.0Si, 528i, 530i, 630CSi & 633CSi w/4 Spd. Trans.:		
	Seal .....	15920		Seal .....	11610
1991-1977 318i, 320i, 325, 325e, 325eS, 325iC & 325iX:				(Speedi-Sleeve) .....	99114
	Seal .....	15750	1980-1967 1600/2, 2002, 2002Tii & 320i w/4 Spd. Trans.:		
	(Speedi-Sleeve) .....	99157		Seal .....	11630
1988-1981 524td, 525i, 528e, 528i, 530i, 533i & 535i w/3HP22 & 4HP22 Trans. Thru 6/88:				(Speedi-Sleeve) .....	99114
	Seal .....	15750	1972-1966 2000 Series w/4 Spd. Trans.:		
	(Speedi-Sleeve) .....	99157	Bearing .....		
1978-1975 530i w/BW65 Trans.:			6206-J		
	Seal .....	15851	1971-1966 1600 & 1800 Series w/4 Spd. Trans.:		
	(Speedi-Sleeve) .....	99157		Seal .....	14720
				(Speedi-Sleeve) .....	99147
				Bearing .....	6206-J
			(Continued)		

## Passenger cars, light & medium trucks

### BMW -- (Cont.)

MFG./YEAR	MODEL & LOCATION	PART NO.	MFG./YEAR	MODEL & LOCATION	PART NO.
<b>Transmission-Manual (Cont.)</b>			<b>Alternator (Cont.)</b>		
<b>Rear</b>			1978-1975 530i w/55 Amp.:		
1995-1991	850Ci & 850i w/6 Spd. Trans.:		Bearing (Front)		6303-2RSJ
	Seal	21612	Bearing (Rear)		6201-ZJ
	(Speedi-Sleeve)	99215	1976-1973 3.0S & 3.0Si:		
1994	530i:		Bearing (Front)		6303-2RSJ
	Seal	15808	Bearing (Rear)		6201-ZJ
	(Speedi-Sleeve)	99157	1976-1967 1600/2, 2002, 2002A, 2002Tii, 2500, 2800, 2800 Bavaria & 3.0 Bavaria:		
1993-1972	Exc. ZFS5 5 Spd. Trans., 6 Spd. Trans. & 325i:		Bearing (Front)		6203-ZJ
	Seal	15819	Bearing (Rear)		6201-ZJ
	(Speedi-Sleeve)	99157	1968-1966 1800, 1800Ti, 2000, 2000CS & 2000Ti:		
1991-1990	325i w/5 Spd. Trans.:		Bearing (Front)		6203-ZJ
	Seal	15819	Bearing (Rear)		6201-ZJ
	(Speedi-Sleeve)	99157	<b>Drive Shaft</b>		
1985-1983	ZFS5 5 Spd. Trans.:		1995 528i & 530i w/6 Cyl. Eng.:		
	Seal	13624	Bearing & Support		HB2780-80
	(Speedi-Sleeve)	99139	1995 750i:		
1971-1969	2500, 2800 & 2800 Bavaria w/4 Spd. Trans.:		Bearing & Support		HB2790-10
	Seal	14706	1995-1993 740i & 740iL:		
	(Speedi-Sleeve)	99147	Bearing & Support		HB1700-10
1971-1967	1600/2, 2002, 2002A, 2002Tii & 3.0 Bavaria w/4 Spd. Trans.:		1988-1985 Exc. 318i, 325, 325e & 325es:		
	Seal	15819	Bearing		6006-2RSJ
	(Speedi-Sleeve)	99157	Bearing & Support		HB2780-10
	Bearing (Early)	6305-J	1988-1985 318i, 325, 325e & 325es:		
	Bearing (Late)	6306-J	Bearing		6006-2RSJ
			Bearing & Support		HB2780-20
<b>Alternator</b>			1984-1969 All:		
1991	318 w/80 & 90 Amp.:		Bearing		6006-2RSJ
	Bearing (Front)	6303-2RSJ	Bearing & Support		HB2780-10
	Bearing (Rear)	6201-2RSJ	<b>Engine</b>		
1991-1989	525i w/115 Amp.:		1995-1982 2.3L, 2.7L, 3.5L, 5.0L & 5.4L Eng. Exc. M5, 533i & 535i:		
	Bearing (Front)	6303-2RSJ	Seal		10923
	Bearing (Rear)	6201-2RSJ	(Speedi-Sleeve)		99111
1991-1989	525i w/80 & 90 Amp.:		1991-1985 2.4L & 2.5L Eng.:		
	Bearing (Front)	6303-2RSJ	Seal		14716
	Bearing (Rear)	6201-2RSJ	(Speedi-Sleeve)		99147
1991-1984	M3, M5, 318i, 325, 325e, 325eS, 325i & 325iC w/90 Amp.:		1986-1983 M5, 533i & 535i:		
	Bearing (Front)	6303-2RSJ	Seal		10923
	Bearing (Rear)	6201-ZJ	(Speedi-Sleeve)		99111
1987	524td & 528e w/65 Amp.:		<b>Camshaft</b>		
	Bearing (Front)	6203-ZJ	1991-1987 3.5L Eng.:		
	Bearing (Rear)	6201-ZJ	Seal		10923
1987-1982	528e, 533i & 535i w/80 Amp.:		(Speedi-Sleeve)		99111
	Bearing (Front)	6303-2RSJ	1991-1985 2.4L & 2.5L Eng.:		
1987-1982	528e w/90 Amp.:		Seal		14716
	Bearing (Front)	6303-2RSJ	(Speedi-Sleeve)		99147
	Bearing (Rear)	6201-ZJ	<b>Crankshaft-Rear</b>		
1986-1985	524td w/80 Amp.:		1995 M3:		
	Bearing (Front)	6203-2RSJ	Seal		35414
	Bearing (Rear)	6200-2RSJ	(Speedi-Sleeve)		99354
1986-1977	65 Amp.:		1995-1994 530i:		
	Bearing (Front)	6203-ZJ	Seal		39139
	Bearing (Rear)	6201-ZJ	(Speedi-Sleeve)		99393
1985-1984	318i, 325, 325e & 325eS w/80 Amp.:		1994-1987 750iL, 850Ci & 850i w/5.0L & 5.8L Eng.:		
	Bearing (Front)	6303-2ZJ	Seal		39139
1985-1978	80 Amp.:		(Speedi-Sleeve)		99393
	Bearing (Front)	6303-2ZJ	1993-1967 w/o 3.0L, 4.0L, 5.0L, 5.4L & 5.8L Eng.:		
	Bearing (Rear)	63001-2RS1	Seal		35414
1981-1980	528i w/65 Amp.:		(Speedi-Sleeve)		99354
	Bearing (Front)	6203-ZJ			
	Bearing (Rear)	6201-ZJ			

(Continued)

MFG./YEAR	MODEL & LOCATION	PART NO.	MFG./YEAR	MODEL & LOCATION	PART NO.
<b>Engine (Cont.)</b>			<b>Engine (Cont.)</b>		
<b>Accessory Drive Belt Tensioner</b>			<b>Timing Cover (Cont.)</b>		
1995-1992	318 Series:		1983-1967	1600/2, 2002, 2002A, 2002Tii & 320i:	
	Bearing (Tensioner w/Piston) .....	VKM38016	Seal .....		13954
1995-1991	325 & 525 Series:		(Speedi-Sleeve) .....		99139
	Bearing (Tensioner w/Piston) .....	VKM38006	1981-1975	528i & 530i w/6 Cyl. Eng.:	
<b>Timing Belt Tensioner</b>			Seal .....		16523
1995-1989	318i, 318is & 525i:		(Speedi-Sleeve) .....		99169
	Bearing & Housing Assy. ....	VKM38003	1976-1969	2500, 2800, 2800 Bavaria, 3.0 Bavaria, 3.0S	
1987-1984	325e & 528e:		3.0Si:		
	Bearing & Housing Assy. ....	VKM18100	Seal .....		16523
<b>Timing Belt Tensioner and Water Pump</b>			(Speedi-Sleeve) .....		99169
1995-1989	325 & 525 Series:		<b>Steering-Power</b>		
	Bearing (Tensioner) .....	VKM38005	<b>Pump Shaft</b>		
<b>Timing Belt and Tensioner Kit</b>			1993-1983	M3, M6, 318C42, 318i, 325, 325e, 325eS,	
1993-1988	325 series:		325i, 325iC, 525i, 535i, 633CSi & 635CSi:		
	Belt & Tensioner Kit .....	VKMA08110	Seal .....		7475
<b>Timing Cover</b>			1987-1975	M5, 524td, 528, 528e, 530i, 533i & 535is:	
1995	M3:		Seal .....		10923
	Seal .....	18951	1986-1978	733i & 735i:	
(Speedi-Sleeve) .....		99189	Seal .....		7950
1995-1994	530i:		Bearing .....		6004-J
	Seal .....	18951	1982-1977	630CSi & 633CSi:	
(Speedi-Sleeve) .....		99189	Seal .....		7950
1994-1991	318, 318i & 318iS w/1.8L Eng.:		<b>Steering-Standard</b>		
Seal .....		17154	<b>Pitman Shaft</b>		
1994-1989	750iL, 850Ci & 850i w/5.0L Eng.:		1976-1968	2500, 2800, 2800 Bavaria, 3.0 Bavaria, 3.0S	
Seal .....		21619	3.0Si:		
(Speedi-Sleeve) .....		99215	Seal .....		10924
1992-1991	3.5L DOHC Eng.:		1976-1967	1600/2, 2002, 2002A & 2002Tii:	
Seal .....		17149	Seal .....		10936
1992-1990	3.5L SOHC Eng.:		<b>Worm Shaft</b>		
Seal .....		16518	1976-1967	All:	
(Speedi-Sleeve) .....		99169	Seal .....		6757
1992-1982	2.5L & 2.7L Eng.:				
Seal .....		18877			
(Speedi-Sleeve) .....		99189			
1991-1988	M3 w/2.3L Eng.:				
Seal .....		17154			
1989-1985	3.5L SOHC Eng.:				
Seal .....		16523			
(Speedi-Sleeve) .....		99169			
1985-1984	318i w/1.8L Eng.:				
Seal .....		13963			
(Speedi-Sleeve) .....		99139			

**Buick (FWD) Century (1995-1982), Skylark (1985-80)**

<b>Wheel Front</b>	
1995-1994	Century:
	Hub Assembly .....
	BR930076
1993-1983	Century w/JA2, JA3, JA8, J41 Brks. & 10.25" Dia. Rotor:
	Seal .....
	24097
	Hub Assembly (Kit) .....
	BR930022K
1989-1982	Century w/JA1, JA8, J41 Brks. & 9.75" Dia. Rotor:
	Seal .....
	18697
	Hub Assembly (Kit) .....
	BR930091K
1985-1980	Skylark:
	Seal .....
	18697
	Hub Assembly (Kit) .....
	BR930091K

<b>Wheel Rear</b>	
1995-1994	Century:
	Hub Assembly .....
	BR930078
1993-1985	Century w/JA2, JA8 & J41 Brks.:
	Hub Assembly .....
	BR930026
1985-1980	Skylark:
	Hub Assembly .....
	BR930093
1984-1983	Century w/JA2 & JA3 Brks.:
	Hub Assembly .....
	BR930026
1984-1983	Century w/JA1 & JA8 Brks.:
	Hub Assembly .....
	BR930016

(Continued)

**Buick (FWD) Century (1995-1982), Skylark (1985-80) -- (Cont.)**

MFG./YEAR	MODEL & LOCATION	PART NO.	MFG./YEAR	MODEL & LOCATION	PART NO.
<b>Clutch</b>			<b>Air Conditioning Clutch</b>		
<b>Release</b>			1995-1980 All:		
1985-1980 All:			Bearing		5908-VAW
Bearing Assembly		N3015	<b>Air Conditioning Compressor</b>		
(Self-Aligning)		N3015-SA	1985-1980 All:		
<b>Transaxle-Automatic</b>			Bearing		B128
<b>Front Pump</b>			<b>Alternator</b>		
1995-1982 All:			1990-1989 100, 108, 120 & 124 Amp.:		
Seal		17849	Bearing (Rear)		6000-2RSJ
<b>Output Shaft</b>			1988-1986 108 & 120 Amp.:		
1995-1984 w/o THM125 Trans.:			Bearing (Front)		6203-2RSJ
Seal (L.H.)		13959	Bearing (Rear)		6000-2RSJ
(Speedi-Sleeve) (L.H.)		99139	1986-1982 w/o 108 & 120 Amp.:		
Seal (R.H.)		13750	Bearing (Front)		6203-2RSJ
(Speedi-Sleeve) (R.H.)		99138	Bearing (Rear)		MNJ471-S
1995-1982 THM125 Trans.:			1981-1980 All:		
Seal		13750	Bearing (Front)		6203-ZJ
(Speedi-Sleeve)		99138	Bearing (Rear)		MNJ471-S
1981-1980 THM125 Trans. w/o GM Hsg. Repair Kit:			<b>Engine</b>		
Seal		13750	<b>Crankshaft-Rear</b>		
(Speedi-Sleeve)		99138	1995-1993 134 (2.2L) & 189 (3.1L) Engs.:		
<b>Pump Shaft</b>			Seal		29862
1985-1982 THM125C Trans.:			(Speedi-Sleeve)		99298
Seal		6120	1993-1991 204 (3.3L) Eng.:		
(Speedi-Sleeve)		99062	Seal		32289
<b>Shift Shaft</b>			(Speedi-Sleeve)		99328
1995-1984 All:			1992-1980 151 (2.5L) Eng.:		
Seal		4912	Seal		29987
(Speedi-Sleeve)		99050	1990-1982 181 (3.0L), 204 (3.3L) & 231 (3.8L) Engs.:		
(Speedi-Sleeve/Seal Kit)		480050	Seal Kit		191
1983-1980 All:			1989-1985 173 W (2.8L) Eng. w/2nd Design One Piece		
Seal		3683	Seal:		
<b>Transaxle-Manual</b>			Seal		29862
<b>Clutch Fork</b>			(Speedi-Sleeve)		99298
1985-1980 4 Spd. Trans.:			<b>Accessory Drive Belt Idler</b>		
Seal		6720	1988-1985 3.8L Eng.:		
<b>Differential</b>			Bearing (Pulley)		VKM900022
1985-1980 4 Spd. Trans.:			<b>Timing Cover</b>		
Bearing		BR11	1995-1994 189 (3.1L) Eng.:		
(Set Components)		JL69349/JL69310	Seal		17286
<b>Input Shaft</b>			(Speedi-Sleeve)		99176
1985-1980 4 Spd. Trans.:			(Speedi-Sleeve/Seal Kit)		480177
Seal		10583	1995-1993 134 (2.2L) Eng.:		
(Speedi-Sleeve)		99106	Seal		17286
Bearing		BR4	(Speedi-Sleeve)		99176
(Set Components)		L44649/L44610	(Speedi-Sleeve/Seal Kit)		480177
<b>Output Shaft</b>			1993-1986 204 (3.3L) & 231 (3.8L) Engs.:		
1985-1980 4 Spd. Trans.:			Seal		19387
Seal		13750	(Speedi-Sleeve)		99193
(Speedi-Sleeve)		99138	1992-1980 151 (2.5L) & 173 (2.8L) Engs.:		
Bearing (Front)		BR5	Seal		17286
(Set Components)		LM48548/LM48510	(Speedi-Sleeve)		99176
Bearing (Rear)		BR15101/BR15245	(Speedi-Sleeve/Seal Kit)		480177
<b>Shift Shaft</b>			1985-1982 181 (3.0L) & 231 (3.8L) Engs.:		
1985-1980 4 Spd. Trans.:			Seal Kit		144
Seal		5606	1985-1982 260 (4.3L) Diesel Eng.:		
(Speedi-Sleeve)		99056	Seal		19887
			(Speedi-Sleeve)		99199
					(Continued)

# Passenger cars, light & medium trucks

## (Cont.) -- Buick (FWD) Century (1995-1982), Skylark (1980-85)

MFG./YEAR	MODEL & LOCATION	PART NO.	MFG./YEAR	MODEL & LOCATION	PART NO.
<b>Steering-Power Pump Shaft</b>			<b>Steering-Power (Cont.) Pump Shaft (Cont.)</b>		
1995-1994	All:		1986-1980	Exc. 260 (4.3L) Eng.:	
	Seal .....	7475		Seal .....	7475
1993-1991	19.05mm Sh. Dia.:				
	Seal .....	7475			
1993-1983	16.88mm Sh. Dia.:				
	Bearing .....	6203-2RSJ			
1989-1988	Remote Reservoir w/173 (2.8L) Eng.:				
	Seal .....	7475			

## Buick (FWD) Electra/Park Avenue, LeSabre (from 1986), Reatta, Riviera (from 1979)

### Wheel Front

1995-1993	LeSabre, Park Avenue & Riviera:	
	Hub Assembly .....	BR930076
1992	LeSabre w/o ABS:	
	Hub Assembly .....	BR930077
1992	LeSabre w/ABS:	
	Hub Assembly .....	BR930076
1992	Park Avenue, Reatta & Riviera:	
	Hub Assembly .....	BR930076
1991	Electra, Park Avenue w/2nd Design (33 Splines):	
	Seal .....	24097
	Hub Assembly .....	BR930076
1991-1989	Reatta & Riviera:	
	Seal .....	24097
	Hub Assembly .....	BR930061
1991-1985	Electra, LeSabre & Park Avenue w/1st Design (27 Splines):	
	Seal .....	24097
	Hub Assembly (Kit) .....	BR930022K
1988-1986	Reatta & Riviera:	
	Seal .....	24097
	Hub Assembly (Kit) .....	BR930022K
1985-1979	Riviera:	
	Seal .....	21961
	Hub Assembly (Kit) .....	BR930052K

### Wheel Rear

1995	Riviera:	
	Hub Assembly .....	BR930074
1995-1991	LeSabre w/ABS:	
	Hub Assembly .....	BR930068
1995-1991	Park Avenue:	
	Hub Assembly .....	BR930068
1993-1991	Reatta & Riviera:	
	Hub Assembly .....	BR930074
1992-1991	LeSabre w/o ABS:	
	Hub Assembly .....	BR930026
1990-1988	w/ABS:	
	Hub Assembly .....	BR930049
1990-1986	w/o ABS:	
	Hub Assembly .....	BR930026
1987	Electra, LeSabre & Park Avenue w/ABS:	
	Hub Assembly .....	BR930049
1985	Electra & Park Avenue w/o ABS:	
	Hub Assembly .....	BR930026

### Transaxle-Automatic

#### Differential

1985-1979	Riviera:	
	Bearing .....	BR72
	(Set Components) .....	LM501349/LM501314

#### Front Pump

1995-1985	w/o THM325-4L Trans.:	
	Seal .....	17849
1985-1982	THM325-4L Transaxle:	
	Seal .....	17458
	(Speedi-Sleeve) .....	99174
1981-1979	THM325-4L Transaxle:	
	Seal .....	18692
	(Speedi-Sleeve) .....	99187
	(Speedi-Sleeve/Seal Kit) .....	480187

#### Output Shaft

1995-1994	All:	
	Seal (L.H.) .....	13959
	(Speedi-Sleeve) (L.H.) .....	99139
	Seal (R.H.) .....	13750
	(Speedi-Sleeve) (R.H.) .....	99138
1993-1985	Exc. Riviera w/Final Drive Assy.:	
	Seal (L.H.) .....	13959
	(Speedi-Sleeve) (L.H.) .....	99139
	Seal (R.H.) .....	13750
	(Speedi-Sleeve) (R.H.) .....	99138
1985-1979	Riviera w/Final Drive Assy.:	
	Seal .....	11690
	(Speedi-Sleeve) .....	99114

#### Pinion

1985-1979	Riviera:	
	Seal .....	18436
	Bearing (Front) .....	M804049/M804010
	Bearing (Rear) .....	M802048/M802011

#### Shift Shaft

1995-1985	All:	
	Seal .....	4912
	(Speedi-Sleeve) .....	99050
	(Speedi-Sleeve/Seal Kit) .....	480050

#### Air Conditioning Clutch

1995-1979	All:	
	Bearing .....	5908-VAW

#### Air Conditioning Compressor

1985-1979	All:	
	Bearing .....	B128

(Continued)

## Passenger cars, light & medium trucks

### Buick (FWD) Electra/Park Avenue, LeSabre (from 1986), Reatta, Riviera (from 1979) -- (Cont.)

MFG./YEAR	MODEL & LOCATION	PART NO.	MFG./YEAR	MODEL & LOCATION	PART NO.
<b>Alternator</b>			<b>Engine (Cont.)</b>		
1995	140 Amp.:		<b>Timing Cover (Cont.)</b>		
	Bearing (Rear) .....	DB65093	1985-1980	260 (4.3L) & 350 (5.7L) Diesel Engs.; 307 (5.0L) Gas Eng.:	
1990-1988	Reatta & Riviera:			Seal .....	19887
	Bearing (Front) .....	6203-2RSJ		(Speedi-Sleeve) .....	99199
	Bearing (Rear) .....	6000-2RSJ	1985-1979	181 (3.0L), 231 (3.8L) & 252 (4.1L) Engs.:	
1987-1986	120 Amp.:			Seal Kit .....	144
	Bearing (Front) .....	6203-2RSJ	1980-1979	350 R (5.7L) Eng.:	
	Bearing (Rear) .....	6000-2RSJ		Seal .....	19887
1985-1983	All:			(Speedi-Sleeve) .....	99199
	Bearing (Front) .....	6203-2RSJ	<b>Steering-Power</b>		
	Bearing (Rear) .....	MNJ471-S	<b>Pitman Shaft</b>		
1982-1979	Riviera:		1985-1979	Riviera:	
	Bearing (Front) .....	6203-ZJ		Seal Kit .....	12392
	Bearing (Rear) .....	MNJ471-S	<b>Pump Shaft</b>		
<b>Engine</b>			1995-1994	Park Avenue & Riviera:	
<b>Crankshaft-Rear</b>				Seal .....	7475
1995-1991	All:		1993-1992	All:	
	Seal .....	32289		Seal .....	7475
	(Speedi-Sleeve) .....	99328	1991	Electra w/2nd Design Production No. 26020339:	
1990-1979	181 (3.0L) & 231 (3.8L) Engs.:			Seal .....	7475
	Seal Kit .....	191	1991-1986	Reatta & Riviera:	
1985-1980	252 (4.1L), 307 (5.0L) Gas & 350 (5.7L) Diesel Engs.:			Bearing .....	6203-2RSJ
	Seal Kit .....	191	1991-1985	Electra w/1st Design & LeSabre:	
1980-1979	350 R (5.7L) Eng.:			Bearing .....	6203-2RSJ
	Seal Kit .....	191	1985-1979	Riviera:	
<b>Accessory Drive Belt Idler</b>				Seal .....	7475
1995-1985	3.8L, 5.0L & 5.7L Engs.:		<b>Worm Shaft</b>		
	Bearing (Pulley) .....	VKM900022	1985-1979	Riviera:	
<b>Timing Cover</b>				Seal .....	7905
1995-1986	181 (3.0L) & 231 (3.8L) Engs.:				
	Seal .....	19387			
	(Speedi-Sleeve) .....	99193			

### Buick (FWD) Regal (from 1988), Skyhawk (from 1982), Skylark (from 1986), Somerset

<p><b>Wheel Front</b></p> <p>1995-1988 Skyhawk &amp; Skylark:</p> <p>Seal .....</p> <p>Hub Assembly (Kit) .....</p> <p>1995-1988 Regal:</p> <p>Hub Assembly (Kit) .....</p> <p>1987-1985 Skyhawk &amp; Somerset:</p> <p>Seal .....</p> <p>Hub Assembly (Kit) .....</p> <p>1984 Skyhawk w/2nd Design &amp; 12mm Hole in Mtg. Fig.:</p> <p>Seal .....</p> <p>Hub Assembly (Kit) .....</p> <p>1984-1982 Skyhawk w/1st Design &amp; 10mm Hole in Mtg. Fig.:</p> <p>Seal .....</p> <p>Hub Assembly (Kit) .....</p> <p><b>Wheel Rear</b></p> <p>1995-1991 Skylark w/ABS:</p> <p>Hub Assembly .....</p>	<p><b>Wheel Rear (Cont.)</b></p> <p>1995-1994 Regal 1st Design:</p> <p>Hub Assembly .....</p> <p>1995-1994 Century:</p> <p>Hub Assembly .....</p> <p>1993-1992 Regal w/ABS:</p> <p>Hub Assembly .....</p> <p>1993-1988 Regal w/o ABS:</p> <p>Hub Assembly .....</p> <p>1991-1988 Regal w/ABS:</p> <p>Hub Assembly .....</p> <p>1991-1982 Skyhawk, Skylark &amp; Somerset w/o ABS:</p> <p>Hub Assembly .....</p> <p><b>Clutch Release</b></p> <p>1989-1983 5 Spd. Isuzu Trans.:</p> <p>Bearing Assembly .....</p> <p>1987-1982 4 Spd. Trans.:</p> <p>Bearing Assembly .....</p> <p>(Self-Aligning) .....</p>
--	---

# Passenger cars, light & medium trucks

(Cont.) -- Buick (FWD) Regal (from 1988), Skyhawk (from 1982), Skylark (from 1986), Somerset

MFG./YEAR	MODEL & LOCATION	PART NO.	MFG./YEAR	MODEL & LOCATION	PART NO.
<b>Transaxle-Automatic</b>			<b>Transaxle-Manual (Cont.)</b>		
<b>Front Pump</b>			<b>Shift Shaft (Cont.)</b>		
1995-1982 All:			1987-1982 4 Spd. Trans.:		
Seal		17849	Seal		5606
<b>Output Shaft</b>			(Speedi-Sleeve)		99056
1995-1993 4T60E Trans.:			<b>Air Conditioning Clutch</b>		
Seal (L.H.)		13959	1995-1982 All:		
(Speedi-Sleeve) (L.H.)		99139	Bearing		5908-VAW
Seal (R.H.)		13750	<b>Air Conditioning Compressor</b>		
(Speedi-Sleeve) (R.H.)		99138	1987-1982 All:		
1995-1982 THM125 Trans.:			Bearing		B128
Seal		13750	<b>Alternator</b>		
(Speedi-Sleeve)		99138	1990-1987 100, 108, 120 & 124 Amp.:		
1992-1988 THM440 Trans.:			Bearing (Rear)		6000-2RSJ
Seal (L.H.)		13959	1986-1983 w/o 85 Amp.:		
(Speedi-Sleeve) (L.H.)		99139	Bearing (Front)		6203-2RSJ
Seal (R.H.)		13750	Bearing (Rear)		MNJ471-S
(Speedi-Sleeve) (R.H.)		99138	1983 85 Amp.:		
<b>Shift Shaft</b>			Bearing (Front)		6203-2RSJ
1995-1984 All:			Bearing (Rear)		BA608
Seal		4912	1982 w/o 70 & 85 Amp.:		
(Speedi-Sleeve)		99050	Bearing (Front)		6203-ZJ
(Speedi-Sleeve/Seal Kit)		480050	Bearing (Rear)		BA608
1983-1982 All:			1982 70 & 85 Amp.:		
Seal		3683	Bearing (Front)		6203-ZJ
<b>Transaxle-Manual</b>			Bearing (Rear)		MNJ471-S
<b>Clutch Fork</b>			<b>Engine</b>		
1989-1982 All:			<b>Camshaft</b>		
Seal		6720	1994-1988 140 (2.3L) Eng.:		
<b>Differential</b>			Seal		14166
1987-1982 4 Spd. Trans.:			(Speedi-Sleeve)		99146
Bearing		BR11	1989-1986 112 (1.8L) & 121 (2.0L) Engs.:		
(Set Components)		JL69349/JL69310	Seal		13709
<b>Input Shaft</b>			(Speedi-Sleeve)		99139
1989-1983 5 Spd. Isuzu Trans.:			<b>Crankshaft-Rear</b>		
Seal		10937	1995-1990 231 (3.8L) Eng.:		
(Speedi-Sleeve)		99111	Seal		32289
Bearing (Rear)		BR30306	(Speedi-Sleeve)		99328
1987-1982 4 Spd. Trans.:			1995-1989 189 (3.1L) Eng.:		
Seal		10583	Seal		29862
(Speedi-Sleeve)		99106	(Speedi-Sleeve)		99298
Bearing		BR4	1995-1988 140 (2.3L) Eng.:		
(Set Components)		L44649/L44610	Seal		32283
<b>Output Shaft</b>			1993-1991 204 (3.3L) Eng.:		
1989-1983 5 Spd. Isuzu Trans.:			Seal		32289
Seal		13750	(Speedi-Sleeve)		99328
(Speedi-Sleeve)		99138	1991-1985 151 (2.5L) Eng.:		
Bearing (Rear)		BR32206	Seal		29987
1987-1982 4 Spd. Trans.:			1990-1989 204 (3.3L) Eng.:		
Seal		13750	Seal Kit		191
(Speedi-Sleeve)		99138	1989-1988 173 (2.8L) Eng.:		
Bearing (Front)		BR5	Seal		29862
(Set Components)		LM48548/LM48510	(Speedi-Sleeve)		99298
Bearing (Rear)		BR15101/BR15245	1989-1982 112 G (1.8L) & 121 (2.0L) Engs. w/2nd Design, 11mm Thick Seal Exc. Vin K, M & 1:		
<b>Shift Shaft</b>			Seal		29862
1989-1983 5 Spd. Trans.:			(Speedi-Sleeve)		99298
Seal		6408	1988-1985 181 (3.0L) Eng.:		
(Speedi-Sleeve)		99058	Seal Kit		191

(Continued)



For explanation of symbols ●◆+■◇▲[] within (text), see page 1A.  
 Para una explicación de los símbolos ●◆+■◇▲[] en el (texto), vea página 1B.  
 Pour une explication des symboles ●◆+■◇▲[] dans (texte), voir page 1C.

**Buick (FWD) Regal (from 1988), Skyhawk (from 1982), Skylark (from 1986), Somerset -- (Cont.)**

MFG./YEAR	MODEL & LOCATION	PART NO.	MFG./YEAR	MODEL & LOCATION	PART NO.
<b>Engine (Cont.)</b>			<b>Engine (Cont.)</b>		
<b>Accessory Drive Belt Idler</b>			<b>Timing Cover (Cont.)</b>		
1995-1985	2.0L, 3.1L, 3.8L, 5.0L & 5.7L Engs.:		1986-1982	112 (1.8L) Exc. O.H.C. & 121 (2.0L) Engs.:	
	Bearing (Pulley) .....	VKM900022		Seal .....	17286
<b>Timing Cover</b>				(Speedi-Sleeve) .....	99176
1995-1988	138 (2.3L) Eng.:			(Speedi-Sleeve/Seal Kit) .....	480177
	Seal .....	19887	<b>Steering-Power</b>		
	(Speedi-Sleeve) .....	99199	<b>Pump Shaft</b>		
1995-1985	151 (2.5L) & 189 (3.1L) Engs.:		1995-1994	Exc. Skylark w/140 (2.3L) Eng.:	
	Seal .....	17286		Seal .....	7475
	(Speedi-Sleeve) .....	99176	1993-1989	Remote Reservoir w/151 (2.5L) 2nd Design	
	(Speedi-Sleeve/Seal Kit) .....	480177		Eng.;Regal:	
1995-1985	181 (3.0L), 200 (3.3L) & 231 (3.8L) Engs.:			Seal .....	7475
	Seal .....	19387	1991-1988	Remote Reservoir w/151 (2.5L) 1st Design &	
	(Speedi-Sleeve) .....	99193		3.3L Engs.; Regal:	
1989-1988	173 W (2.8L) Eng.:			Bearing .....	6203-2RSJ
	Seal .....	17286	1986-1982	w/o Remote Reservoir:	
	(Speedi-Sleeve) .....	99176		Seal .....	7475
	(Speedi-Sleeve/Seal Kit) .....	480177	<b>Worm Shaft</b>		
1989-1987	121 (2.0L) Eng.:		1985-1982	w/o H.D. & Touring Suspension:	
	Seal .....	17908		Seal .....	9705
	(Speedi-Sleeve) .....	99179			
1989-1982	112 (1.8L) O.H.C., 121 K (2.0L) & 121 M (2.0L)				
	Engs.:				
	Seal .....	12756			
	(Speedi-Sleeve) .....	99128			

**Buick (RWD) (Full Size), Centurion, Century (thru 1958), Electra (thru 1984), Estate Wagon, Invicta, LeSabre (thru 1985), Limited, Riviera (thru 1978), Roadmaster, Special (thru 1960), Wildcat**

<b>Wheel Front</b>		<b>Wheel Front (Cont.)</b>	
1995-1991	All:	1976-1967	All:
	Seal .....	19784	Seal .....
	Bearing (Inner) .....	BR5	Bearing (Inner) .....
	(Set Components) .....	LM67048/LM67010	(Set Components) .....
	Bearing (Outer) .....	BR3	Bearing (Outer) .....
	(Set Components) .....	M12649/M12610	(Set Components) .....
1989-1979	All:	1966-1961	All:
	Seal .....	19984	Seal .....
	Bearing (Inner) .....	BR5	Bearing (Inner) .....
	(Set Components) .....	LM48548/LM48510	(Set Components) .....
	Bearing (Outer) .....	BR3	Bearing (Outer) .....
	(Set Components) .....	M12649/M12610	(Set Components) .....
1978-1977	11" Rotor:	1960-1957	All:
	Seal .....	20113	Seal .....
	Bearing (Inner) .....	B66	Bearing (Inner) .....
	(Set Components) .....	LM67048/LM67010	Bearing (Outer) .....
	Bearing (Outer) .....	BR2	
	(Set Components) .....	LM11949/LM11910	1956-1941
1978-1977	12" Rotor:	20118	All:
	Seal .....	B62	Seal .....
	Bearing (Inner) .....	B73	Bearing (Inner) .....
	(Set Components) .....	LM67048/LM67010	Bearing (Outer) .....
	Bearing (Outer) .....	BR3	
	(Set Components) .....	M12649/M12610	1940-1937
			All:
			Bearing (Inner) .....
			Bearing (Outer) .....

(Continued)



## Passenger cars, light & medium trucks

(Cont.) -- Buick (RWD) (Full Size), Centurion, Century (thru 1958), Electra (thru 1984), Estate Wagon, Invicta, LeSabre (thru 1985), Limited, Riviera (thru 1978), Roadmaster, Special (thru 1960), Wildcat

MFG./YEAR	MODEL & LOCATION	PART NO.	MFG./YEAR	MODEL & LOCATION	PART NO.
<b>Wheel Rear</b>			<b>Wheel Rear (Cont.)</b>		
1995-1992	Roadmaster Sed.:		1965	LeSabre:	
	Seal .....	13992		Seal .....	13492
	Bearing .....	R1563-TAV	1964-1963	Invicta & LeSabre:	
	(Axle Repair Brg. Assy.) .....	• R1563		Seal .....	15142
1995-1982	Estate Wgn. & Roadmaster Wgn. w/o 3.23 Rr. Axle Ratio:			Sealed Bearing w/Lock Ring .....	88128-R
	Seal .....	✧16044	1962-1961	All:	
	(Superseded by:)	16404		Seal .....	15592
	Bearing .....	R1559-TV		Bearing w/Lock Ring .....	RW509-FR
	(Axle Repair Brg. Assy.) .....	• R1559	1960-1956	All:	
1987	Estate Wgn. w/3.23 Rr. Axle Ratio:			Seal .....	21070
	Seal .....	13992		Bearing w/Lock Ring .....	RW509-FR
	Bearing .....	R1563-TAV	1955-1937	All:	
	(Axle Repair Brg. Assy.) .....	• R1563		Seal (Outer) .....	18704
1985-1982	Exc. Estate Wgn.:			Bearing .....	R1502-EL
	Seal .....	13992	<b>Pinion</b>		
	Bearing .....	R1563-TAV	1995-1991	All:	
	(Axle Repair Brg. Assy.) .....	• R1563		Seal .....	19273
1981-1977	7.50" & 8.50" Ring Gears Chev. Design:			(Speedi-Sleeve) .....	99193
	Seal .....	13992		Bearing (Front) .....	BR52
	Bearing .....	R1563-TAV		(Set Components) .....	M88048/M88010
	(Axle Repair Brg. Assy.) .....	• R1563		Bearing (Rear) .....	M802048/M802011
1981-1976	8.875" Ring Gear w/9.5" X 2" Brks.:		1989-1976	8.50" Ring Gear:	
	Seal .....	13992		Seal .....	19273
	Bearing .....	R1563-TAV		(Speedi-Sleeve) .....	99193
	(Axle Repair Brg. Assy.) .....	• R1563		Bearing (Front) .....	BR52
1981-1975	8.875" Ring Gear w/o 9.5" X 2" Brks.:			(Set Components) .....	M88048/M88010
	Seal .....	✧16044		Bearing (Rear) .....	M802048/M802011
	(Superseded by:)	16404	1985-1980	7.50" Ring Gear w/3.125" O.D. Rr. Brg.:	
	Bearing .....	R1559-TV		Seal .....	15315
	(Axle Repair Brg. Assy.) .....	• R1559		(Speedi-Sleeve) .....	99152
1979-1977	B & O Axles:			Bearing (Front) .....	M86649/M86610
	Seal .....	16735		Bearing (Rear) .....	HM89249/HM89210
	Bearing .....	BR9	1983-1977	8.75" & 8.875" Ring Gears:	
1976-1975	8.50" Ring Gear Chev. Design:			Seal .....	19273
	Seal .....	✧16044		(Speedi-Sleeve) .....	99193
	(Superseded by:)	16404		Bearing (Front) .....	BR52
	Bearing .....	R1559-TV		(Set Components) .....	M88048/M88010
	(Axle Repair Brg. Assy.) .....	• R1559		Bearing (Rear) .....	M802048/M802011
1976-1971	B & O Axles:		1981-1977	7.50" Ring Gear w/3.0" O.D. Rr. Brg.:	
	Seal .....	18710		Seal .....	15315
	Bearing .....	BR10		(Speedi-Sleeve) .....	99152
1975	9.375" Ring Gear:			Bearing (Front) .....	M86649/M86610
	Seal .....	18710		Bearing (Rear) .....	HM89449/HM89410
	Bearing .....	BR10	1976	8.875" Ring Gear:	
1975-1971	C, G, K, P & W Axles:			Seal .....	19273
	Seal .....	✧16044		(Speedi-Sleeve) .....	99193
	(Superseded by:)	16404		Bearing (Front) .....	BR52
	Bearing .....	R1559-TV		(Set Components) .....	M88048/M88010
	(Axle Repair Brg. Assy.) .....	• R1559		Bearing (Rear) .....	M804049/M804010
1970	Estate Wgn.:		1975-1973	B, C, G, K & W Axles:	
	Bearing .....	RSN1584-EV		Seal .....	19273
1970-1968	Electra, Riviera & Wildcat:			(Speedi-Sleeve) .....	99193
	Seal .....	15142		Bearing (Front) .....	BR52
1970-1967	LeSabre 2nd Design:			(Set Components) .....	M88048/M88010
	Seal .....	15376		Bearing (Rear) .....	M802048/M802011
	Sealed Bearing w/Lock Ring .....	RW508-BR			(Continued)
1967-1963	Electra, Riviera & Wildcat:				
	Seal .....	15142			
	Sealed Bearing w/Lock Ring .....	88128-R			

**Buick (RWD) (Full Size), Centurion, Century (thru 1958), Electra (thru 1984), Estate Wagon, Invicta, LeSabre (thru 1985), Limited, Riviera (thru 1978), Roadmaster, Special (thru 1960), Wildcat -- (Cont.)**

MFG./YEAR	MODEL & LOCATION	PART NO.	MFG./YEAR	MODEL & LOCATION	PART NO.
<b>Pinion (Cont.)</b>			<b>Differential (Cont.)</b>		
1975-1973	O & P Axles:		1970-1967	Riviera:	
	Seal	19273		Bearing	BR36
	(Speedi-Sleeve)	99193		(Set Components)	LM603049/LM603012
	Bearing (Front)	BR52	1970-1966	2nd Design Exc. LeSabre & Riviera:	
	(Set Components)	M88048/M88010		Bearing (L.H.)	BR25590/BR25523
	Bearing (Rear)	M804049/M804010		Bearing (R.H.)	BR36
1972-1971	Exc. LeSabre w/350 Eng.:			(Set Components)	LM603049/LM603012
	Seal	19273	1970-1965	LeSabre:	
	(Speedi-Sleeve)	99193		Bearing	BR72
	Bearing (Front)	BR52		(Set Components)	LM501349/LM501314
	(Set Components)	M88048/M88010	1966	1st Design Exc. LeSabre:	
	Bearing (Rear)	M804049/M804010		Bearing	BR36
1972-1971	LeSabre w/350 Eng.:			(Set Components)	LM603049/LM603012
	Seal	19273	<b>Kit</b>		
	(Speedi-Sleeve)	99193	1995-1991	7.50" Ring Gear:	
	Bearing (Front)	BR52		Standard Seal and Bearing Kit Rear	SDK320
	(Set Components)	M88048/M88010		Master Seal and Bearing Kit Rear	SDK320-MK
	Bearing (Rear)	M802048/M802011	1989-1987	7.50" Ring Gear:	
1970-1968	LeSabre:			Standard Seal and Bearing Kit Rear	SDK320
	Seal	16500		Master Seal and Bearing Kit Rear	SDK320-MK
	Bearing (Front)	M86649/M86610	1985-1982	7.50" Ring Gear:	
	Bearing (Rear)	M804049/M804010		Standard Seal and Bearing Kit Rear	SDK320
1970-1965	Electra, Estate Wgn. & Wildcat:			Master Seal and Bearing Kit Rear	SDK320-MK
	Seal	19017	<b>Clutch</b>		
	Bearing (Front)	BR52	<b>Pilot</b>		
	(Set Components)	M88048/M88010	1971-1957	All:	
	Bearing (Rear)	M804049/M804010		Bearing (Bushing)	B656
1967-1965	LeSabre:			(Heavy Duty)	B657
	Seal	16500	1956-1936	All:	
	Bearing (Front)	M86649/M86610		Bearing	BR7109
	Bearing (Rear)	HM89449/HM89410	<b>Release</b>		
1964-1963	All:		1971-1968	250 (4.1L) & 350 (5.7L) Engs.:	
	Seal	19017		Bearing Only	N1085
	Bearing (Front)	BR52		Bearing Assembly	N1086-SA
	(Set Components)	M88048/M88010	1971-1968	430 (7.0L) & 455 (7.5L) Engs.:	
	Bearing (Rear)	M804049/M804010		Bearing Assembly	N1488
1962-1956	All:		1967-1964	225 (3.7L), 300 (4.9L) & 340 (5.6L) Engs.:	
	Seal	19062		Bearing Assembly	N1741-SA
	Bearing (Front)	HM89446/HM89410	1966-1964	Wildcat w/401 (6.6L) & 425 (7.0L) Engs.:	
	Bearing (Rear)	HM804846/HM804810		Bearing Only	N1054
<b>Differential</b>			1963	All:	
1995-1991	All:			Bearing Only	N1054
	Bearing	BR72	1960-1953	V8 Eng.:	
	(Set Components)	LM501349/LM501314		Bearing Only	N1054
1989-1976	8.50" Ring Gear:		1948-1938	Century, Limited & Roadmaster:	
	Bearing	BR72		Bearing Only	N1054
	(Set Components)	LM501349/LM501314	<b>Transmission-Automatic</b>		
1983-1976	8.75" & 8.875" Ring Gears:		<b>Front Pump</b>		
	Bearing	BR36	1995-1991	THM700 & 4L60E Trans.:	
	(Set Components)	LM603049/LM603012		Seal Kit	17459
1975-1971	Centurion, Century, Estate Wgn. & LeSabre w/o P Axle & 455 (7.5L) Eng.:			(Speedi-Sleeve)	99174
	Bearing	BR72	1989-1976	THM200 & THM325 Trans.:	
	(Set Components)	LM501349/LM501314		Seal	17458
1975-1971	Centurion, Century, Estate Wgn. & LeSabre w/P Axle & 455 (7.5L) Eng.:			(Speedi-Sleeve)	99174
	Bearing	BR36			(Continued)
	(Set Components)	LM603049/LM603012			

## Passenger cars, light & medium trucks

(Cont.) -- Buick (RWD) (Full Size), Centurion, Century (thru 1958), Electra (thru 1984), Estate Wagon, Invicta, LeSabre (thru 1985), Limited, Riviera (thru 1978), Roadmaster, Special (thru 1960), Wildcat

MFG./YEAR	MODEL & LOCATION	PART NO.	MFG./YEAR	MODEL & LOCATION	PART NO.
<b>Transmission-Automatic (Cont.)</b>			<b>Transmission-Manual (Cont.)</b>		
<b>Front Pump (Cont.)</b>			<b>Front (Cont.)</b>		
1984-1964 w/o THM200 & THM325 Trans. From '82:			1967-1966 LeSabre w/3 Spd. Trans.:		
Seal		18692	Seal		12363
(Speedi-Sleeve)		99187	(Speedi-Sleeve)		99125
(Speedi-Sleeve/Seal Kit)		480187	1966 4 Spd. Trans.:		
1963-1948 w/o Triple Turbine Trans.:			Seal		12360
Seal		17386	(Speedi-Sleeve)		99125
(Speedi-Sleeve)		99174	Bearing		307-NRJ
<b>Rear</b>			1965-1964 Wildcat w/3 Spd. Trans.:		
1995-1969 w/o THM400 Trans.:			Bearing		6307-NRJ
Seal		15041	1965-1963 4 Spd. Trans.:		
(Speedi-Sleeve)		99149	Bearing		307-NRJ
(Speedi-Sleeve/Seal Kit)		480150	1964 LeSabre w/3 Spd. Trans. Exc. Estate Wgn.:		
1981-1969 THM400 Trans. Exc. Riviera:			Bearing		207-NRJ
Seal		18992	1964 LeSabre Estate Wgn. w/3 Spd. Trans.:		
1970-1969 Riviera:			Bearing		6307-NRJ
Seal		16871	1960-1946 All:		
(Speedi-Sleeve)		99168	Bearing		207-ZNRJ
1969-1964 Super Turbine 300 Trans.:			<b>Mainshaft Pilot</b>		
Seal		15041	1971-1967 3 Spd. Dearborn Trans. Exc. Riviera:		
(Speedi-Sleeve)		99149	Bearing		[15] QBR23549
(Speedi-Sleeve/Seal Kit)		480150	1965-1964 LeSabre w/3 Spd. Trans.:		
1968 THM400 Trans. w/o 400 (6.6L) Eng.:			Bearing (Front)		[14] C1110-Q
Seal		16871	1960-1946 3 Spd. Trans.:		
(Speedi-Sleeve)		99168	Bearing		[14] QBR23549
1968-1967 THM400 Trans. w/400 (6.6L) Eng.:			<b>Rear</b>		
Seal		18992	1971-1969 3 Spd. Trans.:		
1966-1964 THM400 Trans.:			Seal		15041
Seal		16871	(Speedi-Sleeve)		99149
(Speedi-Sleeve)		99168	(Speedi-Sleeve/Seal Kit)		480150
1963-1961 Twin Turbine Dynaflo Trans.			Seal Kit		15054
Seal		15041	Bearing		6207-ZNRJ
(Speedi-Sleeve)		99149	1968-1966 Wildcat w/3 Spd. Trans.:		
(Speedi-Sleeve/Seal Kit)		480150	Seal		15041
<b>Shift Shaft</b>			(Speedi-Sleeve)		99149
1995-1964 All:			(Speedi-Sleeve/Seal Kit)		480150
Seal		4912	Seal Kit		15054
(Speedi-Sleeve)		99050	Bearing		6207-NRJ
(Speedi-Sleeve/Seal Kit)		480050	1968-1965 LeSabre w/3 Spd. Trans.:		
<b>Transmission-Manual</b>			Seal		15041
<b>Countershaft</b>			(Speedi-Sleeve)		99149
1971-1967 3 Spd. Dearborn Trans. Exc. Riviera:			(Speedi-Sleeve/Seal Kit)		480150
Bearing		[50] C1086-Q	Seal Kit		15054
1969-1964 LeSabre w/3 Spd. Trans.:			1966-1963 4 Spd. Trans.:		
Bearing		[54] C407-Q	Seal		15041
<b>Front</b>			(Speedi-Sleeve)		99149
1971-1969 LeSabre & Wildcat w/3 Spd. Trans.:			(Speedi-Sleeve/Seal Kit)		480150
Seal		12363	Seal Kit		15054
(Speedi-Sleeve)		99125	Bearing		307-NRJ
Bearing		■ 6208-NRJ	1965 Wildcat w/3 Spd. Trans.:		
1968 LeSabre w/3 Spd. Trans.:			Seal		15041
Seal		12363	(Speedi-Sleeve)		99149
(Speedi-Sleeve)		99125	(Speedi-Sleeve/Seal Kit)		480150
Bearing		6207-ZNRJ	Seal Kit		15054
1968-1966 Wildcat w/3 Spd. Trans.:			Bearing		6307-NRJ
Seal		12363	(Continued)		
(Speedi-Sleeve)		99125			
Bearing		■ 6208-NRJ			

## Passenger cars, light & medium trucks

### Buick (RWD) (Full Size), Centurion, Century (thru 1958), Electra (thru 1984), Estate Wagon, Invicta, LeSabre (thru 1985), Limited, Riviera (thru 1978), Roadmaster, Special (thru 1960), Wildcat -- (Cont.)

MFG./YEAR	MODEL & LOCATION	PART NO.	MFG./YEAR	MODEL & LOCATION	PART NO.
<b>Transmission-Manual (Cont.)</b>			<b>Alternator (Cont.)</b>		
<b>Rear (Cont.)</b>			1962-1937 All: Bearing (Front) ..... 6203-RSJ		
1964	LeSabre w/3 Spd. Trans. Exc. Estate Wgn.:		<b>Drive Shaft</b>		
	Seal ..... 15041		1970-1961 All:		
	(Speedi-Sleeve) ..... 99149		Bearing ..... 6908-VAL		
	(Speedi-Sleeve/Seal Kit) ..... 480150		1960-1957 All:		
	Seal Kit ..... 15054		Seal ..... 13585		
	Bearing ..... 306-NJ		(Speedi-Sleeve) ..... 99138		
1964	LeSabre Estate Wgn. w/3 Spd. Trans. & Wildcat:		Bearing ..... 6210-ZZJ		
	Seal ..... 15041		1956-1953 All:		
	(Speedi-Sleeve) ..... 99149		Seal ..... 13585		
	(Speedi-Sleeve/Seal Kit) ..... 480150		(Speedi-Sleeve) ..... 99138		
	Seal Kit ..... 15054		<b>Engine</b>		
	Bearing ..... 6307-NRJ		<b>Crankshaft-Rear</b>		
1960-1956 All:			1995-1992 350 (5.7L) Eng.:		
Bearing ..... 6306-NRJ			Seal (Viton) ..... 37026		
			(Speedi-Sleeve) (Viton) ..... 99369		
			Seal ..... 37027		
			(Speedi-Sleeve) ..... 99364		
			1991 305 (5.0L) Eng.:		
			Seal (Viton) ..... 37026		
			(Speedi-Sleeve) (Viton) ..... 99369		
			Seal ..... 37027		
			(Speedi-Sleeve) ..... 99364		
			1988-1977 231 (3.8L), 252 (4.1L), 307 (5.0L) Gas & 350 (5.7L) Diesel Eng.:		
			Seal Kit ..... 191		
			1987-1986 305 (5.0L) Eng.:		
			Seal (Viton) ..... 37026		
			(Speedi-Sleeve) (Viton) ..... 99369		
			Seal ..... 37027		
			(Speedi-Sleeve) ..... 99364		
			1985-1978 Canadian Models w/267 (4.4L), 307 (5.0L) & 350 (5.7L) Eng.:		
			Seal Kit ..... 199		
			1981-1977 301 (4.9L) & 400 (6.6L) Eng.:		
			Seal Kit ..... 185		
			1981-1976 350 B, J, R & X (5.7L) Eng.:		
			Seal Kit ..... 191		
			1979-1976 403 (6.6L) & 455 (7.5L) Eng.:		
			Seal Kit ..... 191		
			1975-1953 V8 Eng.:		
			Seal Kit ..... 191		
			1969-1968 L6 Eng.:		
			Seal Kit ..... 199		
			<b>Accessory Drive Belt Idler</b>		
			1995-1987 3.1L, 3.8L, 5.0L & 5.7L Eng.:		
			Bearing (Pulley) ..... VKM900022		
			<b>Timing Cover</b>		
			1995-1991 All:		
			Seal ..... 17286		
			(Speedi-Sleeve) ..... 99176		
			(Speedi-Sleeve/Seal Kit) ..... 480177		
			1989-1980 307 (5.0L) Gas & 350 (5.7L) Diesel Eng.:		
			Seal ..... 19887		
			(Speedi-Sleeve) ..... 99199		
			(Continued)		

## Passenger cars, light & medium trucks

(Cont.) -- Buick (RWD) (Full Size), Centurion, Century (thru 1958), Electra (thru 1984), Estate Wagon, Invicta, LeSabre (thru 1985), Limited, Riviera (thru 1978), Roadmaster, Special (thru 1960), Wildcat

MFG./YEAR	MODEL & LOCATION	PART NO.	MFG./YEAR	MODEL & LOCATION	PART NO.
<b>Engine (Cont.)</b>			<b>Steering-Power</b>		
<b>Timing Cover (Cont.)</b>			<b>Pitman Shaft</b>		
1985-1977	231 (3.8L) & 252 (4.1L) Engs.:		1989-1957	All:	
	Seal Kit .....	144		Seal (Inner) .....	12371
1982-1978	267 (4.4L), 305 (5.0L) & 350 L (5.7L) Engs.:			Seal (Outer) .....	12355
	Seal .....	17286		Seal Kit .....	12392
	(Speedi-Sleeve) .....	99176	1956-1952	All:	
	(Speedi-Sleeve/Seal Kit) .....	480177		Seal .....	11067
1981-1977	301 (4.9L) & 400 (6.6L) Engs.:		<b>Pump Shaft</b>		
	Seal .....	18492	1995-1958	All:	
	(Speedi-Sleeve) .....	99186		Seal .....	7475
	(Speedi-Sleeve/Seal Kit) .....	480184	1957-1956	All:	
1981-1976	350 B, J & X (5.7L) Engs.:			Seal .....	9663
	Seal Kit .....	144	1955-1953	All:	
1980-1977	350 R (5.7L) & 403 (6.6L) Engs.:			Seal .....	9664
	Seal .....	19887	1952	Eaton Pump:	
	(Speedi-Sleeve) .....	99199		Seal .....	8796
1976	455 (7.5L) Eng.:		<b>Worm Shaft</b>		
	Seal Kit .....	144	1988-1982	All:	
1975-1969	w/o 250 (4.1L) & 260 (4.3L) Engs.:			Seal .....	7905
	Seal Kit .....	144	1979-1959	All:	
1969-1968	250 (4.1L) Eng.:			Seal .....	8660
	Seal .....	17286	1955-1952	All:	
	(Speedi-Sleeve) .....	99176		Seal .....	8660
	(Speedi-Sleeve/Seal Kit) .....	480177	<b>Steering-Standard</b>		
1968-1938	Exc. Straight 8 & 250 (4.1L) Engs.:		<b>Pitman Shaft</b>		
	Seal Kit .....	144	1975-1959	2nd Design:	
1953-1950	Straight 8 Engs.:			Seal .....	11055
	Seal .....	19969	1959-1937	1st Design:	
	(Speedi-Sleeve) .....	99199		Seal .....	11067
1949-1942	248 Eng.:		<b>Worm Shaft</b>		
	Seal .....	19969	1975-1965	Riviera:	
	(Speedi-Sleeve) .....	99199		Seal .....	7481
1949-1942	320 Eng.:				
	Seal .....	20643			
	(Speedi-Sleeve) .....	99205			

## Buick (RWD) Apollo, Skyhawk (thru 1980)

### Wheel Front

1980-1975	Skyhawk:	
	Seal .....	17187
	Bearing (Inner) .....	BR6
	(Set Components) .....	LM67048/LM67010
	Bearing (Outer) .....	BR1
	(Set Components) .....	LM11749/LM11710
1975	Apollo:	
	Seal .....	19984
	Bearing (Inner) .....	BR6
	(Set Components) .....	LM67048/LM67010
	Bearing (Outer) .....	BR2
	(Set Components) .....	LM11949/LM11910
1974-1973	All:	
	Seal .....	17187
	Bearing (Inner) .....	BR6
	(Set Components) .....	LM67048/LM67010
	Bearing (Outer) .....	BR2
	(Set Components) .....	LM11949/LM11910

### Wheel Rear

1980-1973	All:	
	Seal .....	13992
	Bearing .....	R1563-TAV
	(Axle Repair Brg. Assy.) .....	• R1563

### Pinion

1980-1975	Skyhawk:	
	Seal .....	15315
	(Speedi-Sleeve) .....	99149
	Bearing (Front) .....	M86649/M86610
	Bearing (Rear) .....	HM88649/HM88610
1975-1973	Apollo:	
	Seal .....	19273
	(Speedi-Sleeve) .....	99193
	Bearing (Front) .....	BR52
	(Set Components) .....	M88048/M88010
	Bearing (Rear) .....	M802048/M802011

(Continued)

**Buick (RWD) Apollo, Skyhawk (thru 1980) -- (Cont.)**

MFG./YEAR	MODEL & LOCATION	PART NO.	MFG./YEAR	MODEL & LOCATION	PART NO.
<b>Differential</b>			<b>Transmission-Manual (Cont.)</b>		
<b>1980-1973 All:</b>			<b>Rear</b>		
	Bearing .....	BR72	<b>1980-1973 All:</b>		
	(Set Components) .....	LM501349/LM501314	Seal .....		15041
<b>Clutch</b>			(Speedi-Sleeve) .....		99149
<b>Pilot</b>			(Speedi-Sleeve/Seal Kit) .....		480150
<b>1980-1973 All:</b>			Seal Kit .....		15054
	Bearing (Bushing) .....	B656	<b>Shift Shaft</b>		
	(Heavy Duty) .....	B657	<b>1980-1973 All:</b>		
<b>Release</b>			Seal .....		7410
<b>1980-1975 Skyhawk:</b>			(Speedi-Sleeve) .....		99076
	Bearing Assembly .....	N1488	(Speedi-Sleeve/Seal Kit) .....		480074
<b>1975 Apollo w/L6 Eng.:</b>			<b>Air Conditioning Clutch</b>		
	Bearing Only .....	N1085	<b>1980-1973 All:</b>		
	Bearing Assembly .....	N1086-SA	Bearing .....		5908-VAW
<b>1975 Apollo w/V6 Eng.:</b>			<b>Alternator</b>		
	Bearing Assembly .....	N1741-SA	<b>1980-1973 All:</b>		
<b>1974-1973 All:</b>			Bearing (Front) .....		6203-ZJ
	Bearing Only .....	N1085	Bearing (Rear) .....		MNJ471-S
	Bearing Assembly .....	N1086-SA	<b>Engine</b>		
<b>Transmission-Automatic</b>			<b>Crankshaft-Rear</b>		
<b>Front Pump</b>			<b>1980-1975 231 (3.8L) Eng.:</b>		
<b>1980-1973 THM350 &amp; THM375 Trans.:</b>			Seal Kit .....		191
	Seal .....	18692	<b>1975-1973 250 (4.1L) Eng.:</b>		
	(Speedi-Sleeve) .....	99187	Seal Kit .....		199
	(Speedi-Sleeve/Seal Kit) .....	480187	<b>1975-1973 260 (4.3L) &amp; 350 (5.7L) Eng.:</b>		
<b>1977-1976 THM200 Trans.:</b>			Seal Kit .....		191
	Seal .....	17458	<b>Accessory Drive Belt Idler</b>		
	(Speedi-Sleeve) .....	99174	<b>1989-1985 2.0L Eng.:</b>		
<b>Rear</b>			Bearing (Pulley) .....		VKM900022
<b>1980-1973 All:</b>			<b>Timing Cover</b>		
	Seal .....	15041	<b>1980-1975 231 (3.8L) Eng.:</b>		
	(Speedi-Sleeve) .....	99149	Seal Kit .....		144
	(Speedi-Sleeve/Seal Kit) .....	480150	<b>1975 260 (4.3L) Eng.:</b>		
	Seal Kit .....	15054	Seal .....		19887
<b>Shift Shaft</b>			(Speedi-Sleeve) .....		99199
<b>1980-1973 All:</b>			<b>1975-1973 250 (4.1L) Eng.:</b>		
	Seal .....	4912	Seal .....		17286
	(Speedi-Sleeve) .....	99050	(Speedi-Sleeve) .....		99176
	(Speedi-Sleeve/Seal Kit) .....	480050	(Speedi-Sleeve/Seal Kit) .....		480177
<b>Transmission-Manual</b>			<b>1975-1973 350 (5.7L) Eng.:</b>		
<b>Countershaft</b>			Seal Kit .....		144
<b>1980-1975 Skyhawk w/4 Spd. Trans.:</b>			<b>Steering-Power</b>		
	Bearing .....	[112] C407-Q	<b>Pitman Shaft</b>		
<b>1975-1973 Apollo w/3 Spd. Trans.:</b>			<b>1980-1973 800 Gear (4 Bolt Side Cvr.):</b>		
	Bearing .....	[50] C407-Q	Seal (Inner) .....		12371
<b>Front</b>			Seal (Outer) .....		12355
<b>1980-1973 3 Spd. &amp; 4 Spd. Trans.:</b>			Seal Kit .....		12392
	Seal .....	12363	<b>1977 605 Gear (Round Side Cvr.):</b>		
	(Speedi-Sleeve) .....	99125	Seal .....		11143
	Bearing .....	6207-ZNRJ	<b>Pump Shaft</b>		
<b>1979-1976 5 Spd. Trans.:</b>			<b>1980-1973 All:</b>		
	Seal .....	12329	Seal .....		7475
	(Speedi-Sleeve) .....	99125	<b>Worm Shaft</b>		
<b>1980-1973 800 Gear (4 Bolt Side Cvr.):</b>			<b>1980-1973 800 Gear (4 Bolt Side Cvr.):</b>		
	Seal .....	8660	Seal .....		8660
<b>1977 605 Gear (Round Side Cvr.):</b>			<b>1977 605 Gear (Round Side Cvr.):</b>		
	Seal .....	8648	Seal .....		8648

(Continued)

Passenger cars, light & medium trucks

(Cont.) -- Buick (RWD) Apollo, Skyhawk (thru 1980)

MFG./YEAR	MODEL & LOCATION	PART NO.	MFG./YEAR	MODEL & LOCATION	PART NO.
<b>Steering-Standard</b>					
<b>Pitman Shaft</b>					
1980-1973 All:					
	Seal .....	11055			
<b>Worm Shaft</b>					
1980-1973 All:					
	Seal .....	7481			

**Buick (RWD) Century (1981-73), Gran Sport, Regal (thru 1987), Skylark (thru 1979), Special (from 1961), Sportwagon**

**Wheel Front**

1987-1982 All:

Seal .....19984

Bearing (Inner) ..... BR6  
(Set Components) ..... LM67048/LM67010

Bearing (Outer) ..... BR34  
(Set Components) ..... LM12748/LM12710

1981-1979 All:

Seal .....19984

Bearing (Inner) ..... BR6  
(Set Components) ..... LM67048/LM67010

Bearing (Outer) ..... BR3  
(Set Components) ..... M12649/M12610

1978-1975 All:

Seal .....19984

Bearing (Inner) ..... BR6  
(Set Components) ..... LM67048/LM67010

Bearing (Outer) ..... BR2  
(Set Components) ..... LM11949/LM11910

1974-1973 Century & Regal:

Seal .....19984

Bearing (Inner) ..... BR6  
(Set Components) ..... LM67048/LM67010

Bearing (Outer) ..... BR2  
(Set Components) ..... LM11949/LM11910

1972-1964 Gran Sport, Skylark, Special & Sportwagon:

Seal .....17187

Bearing (Inner) ..... BR6  
(Set Components) ..... LM67048/LM67010

Bearing (Outer) ..... BR2  
(Set Components) ..... LM11949/LM11910

1963-1961 All:

Seal .....17815

Bearing (Inner) ..... BR6  
(Set Components) ..... LM67048/LM67010

Bearing (Outer) ..... BR2  
(Set Components) ..... LM11949/LM11910

**Wheel Rear**

1987-1978 All:

Seal .....13992

Bearing ..... R1563-TAV  
(Axle Repair Brg. Assy.) ..... R1563

1977-1976 7.50" & 8.50" Ring Gears Chev. Design:

Seal (1.399" Shaft) .....13992

Bearing ..... R1563-TAV  
(Axle Repair Brg. Assy.) ..... R1563

1977-1976 8.50" Ring Gear Buick Design:

Seal (1.688" Shaft) .....16735

Bearing ..... BR9

**Wheel Rear (Cont.)**

1977-1976 8.875" Ring Gear:

Seal ..... ↗16044  
(Superseded by:): ..... 16404

Bearing ..... R1559-TV  
(Axle Repair Brg. Assy.) ..... R1559

1975-1973 C, G, K & W Axles:

Seal .....13992

Bearing ..... R1563-TAV  
(Axle Repair Brg. Assy.) ..... R1563

1975-1971 B & O Axles:

Seal .....16735

Bearing ..... BR9

1975-1970 M & P Axles:

Seal ..... ↗16044  
(Superseded by:): ..... 16404

Bearing ..... R1559-TV  
(Axle Repair Brg. Assy.) ..... R1559

1970 Gran Sport, Skylark & Sportwagon w/o 12 Bolt Cvr.:

Seal .....16735

Bearing ..... BR9

1970-1968 Gran Sport, Skylark, Special & Sportwagon w/12 Bolt Cvr.:

Seal .....13992

Bearing ..... R1563-TAV  
(Axle Repair Brg. Assy.) ..... R1563

1969 Gran Sport, Skylark & Special w/o 12 Bolt Cvr.:

Seal .....16747

Bearing ..... BR9

1969 Sportwagon w/o 12 Bolt Cvr.:

Seal .....18731

Bearing ..... BR10

1968 Gran Sport 350, Skylark & Special w/o 3.42 Thru 3.91 Axle Ratios:

Seal .....13492

Sealed Bearing w/Lock Ring ..... RW507-CR

1968 Gran Sport 350, Skylark & Special w/3.42 Thru 3.91 Axle Ratio:

Sealed Bearing w/Lock Ring ..... RW507-CR

1967-1964 Skylark & Special:

Seal .....13492

Sealed Bearing w/Lock Ring ..... RW507-CR

1965 Gran Sport & Sportwagon:

Seal .....13492

1963-1961 All:

Bearing ..... 88107-AR

(Continued)

## Passenger cars, light & medium trucks

### Buick (RWD) Century (1981-73), Gran Sport, Regal (thru 1987), Skylark (thru 1979), Special (from 1961), Sportwagon -- (Cont.)

MFG./YEAR	MODEL & LOCATION	PART NO.	MFG./YEAR	MODEL & LOCATION	PART NO.
<b>Pinion</b>			<b>Pinion (Cont.)</b>		
1987-1984	8.50" Ring Gear:		1967	Skylark, Special From Chas. 7H334149 w/2.78 Thru 2.93 Axle Ratios:	
	Seal .....	19273		Seal .....	19273
	(Speedi-Sleeve) .....	99193		(Speedi-Sleeve) .....	99193
	Bearing (Front) .....	BR52		Bearing (Front) .....	M86649/M86610
	(Set Components) .....	M88048/M88010		Bearing (Rear) .....	HM89449/HM89410
	Bearing (Rear) .....	M802048/M802011	1967-1964	Exc. '67 Skylark, Special From Chas. 7H334149 w/2.78 Thru 2.93 Axle Ratios:	
1987-1980	7.50" Ring Gear w/3.125" O.D. Rr. Brg.:			Seal .....	16500
	Seal .....	15315		Bearing (Front) .....	M86649/M86610
	(Speedi-Sleeve) .....	99152		Bearing (Rear) .....	HM89449/HM89410
	Bearing (Front) .....	M86649/M86610	1963-1961	All:	
	Bearing (Rear) .....	HM89249/HM89210		Seal .....	15779
1981-1976	7.50" Ring Gear w/3.0" O.D. Rr. Brg.:			(Speedi-Sleeve) .....	99156
	Seal .....	15315		Bearing (Front) .....	BR52
	(Speedi-Sleeve) .....	99152		(Set Components) .....	M88048/M88010
	Bearing (Front) .....	M86649/M86610		Bearing (Rear) .....	M802048/M802011
	Bearing (Rear) .....	HM89449/HM89410	<b>Differential Kit</b>		
1979-1976	8.50" Ring Gear:		1987-1982	7.50" Ring Gear:	
	Seal .....	19273		Standard Seal and Bearing Kit Rear .....	SDK320
	(Speedi-Sleeve) .....	99193		Master Seal and Bearing Kit Rear .....	SDK320-MK
	Bearing (Front) .....	BR52	<b>Clutch Pilot</b>		
	(Set Components) .....	M88048/M88010	1981-1967	All:	
	Bearing (Rear) .....	M802048/M802011		Bearing (Bushing) .....	B656
1977	8.875" Ring Gear:			(Heavy Duty) .....	B657
	Seal .....	19273	<b>Release</b>		
	(Speedi-Sleeve) .....	99193	1981	All:	
	Bearing (Front) .....	BR52		Bearing Assembly .....	N1488
	(Set Components) .....	M88048/M88010	1980-1979	231 A (3.8L) Eng.:	
	Bearing (Rear) .....	M802048/M802011		Bearing Assembly .....	N1488
1976	8.875" Ring Gear:		1979-1978	231 (3.8L) Exc. A Eng.:	
	Seal .....	19273		Bearing Only .....	N1085
	(Speedi-Sleeve) .....	99193		Bearing Assembly .....	N1086-SA
	Bearing (Front) .....	BR52	1977-1975	All:	
	(Set Components) .....	M88048/M88010		Bearing Assembly .....	N1741-SA
	Bearing (Rear) .....	M804049/M804010	1974-1968	250 (4.1L) & 350 (5.7L) Engs.:	
1975-1973	P Axle:			Bearing Only .....	N1085
	Seal .....	19273		Bearing Assembly .....	N1086-SA
	(Speedi-Sleeve) .....	99193	1973-1967	400 (6.6L) & 455 (7.5L) Engs.:	
	Bearing (Front) .....	BR52		Bearing Assembly .....	N1488
	(Set Components) .....	M88048/M88010	1967-1964	225 (3.7L), 300 (4.9L) & 340 (5.6L) Engs.:	
	Bearing (Rear) .....	M804049/M804010		Bearing Assembly .....	N1741-SA
1975-1971	B, C, G, K, O & W Axles:		1966-1965	401 (6.6L) & 425 (7.0L) Engs.:	
	Seal .....	19273		Bearing Only .....	N1054
	(Speedi-Sleeve) .....	99193	1963-1961	All:	
	Bearing (Front) .....	BR52		Bearing Assembly .....	N1488
	(Set Components) .....	M88048/M88010	<b>Transmission-Automatic Front Pump</b>		
	Bearing (Rear) .....	M802048/M802011	1987-1976	THM200 Trans.:	
1970-1968	w/o Canadian Built 12 Bolt Cvr.:			Seal .....	17458
	Seal .....	16500		(Speedi-Sleeve) .....	99174
	Bearing (Front) .....	M86649/M86610	1984-1964	w/o THM200 Trans.:	
	Bearing (Rear) .....	M804049/M804010		Seal .....	18692
1970-1968	Canadian Built w/12 Bolt Cvr.:			(Speedi-Sleeve) .....	99187
	Seal .....	17190		(Speedi-Sleeve/Seal Kit) .....	480187
	(Speedi-Sleeve) .....	99170			(Continued)
	Bearing (Front) .....	BR52			
	(Set Components) .....	M88048/M88010			
	Bearing (Rear) .....	M802048/M802011			



# Passenger cars, light & medium trucks

(Cont.) -- Buick (RWD) Century (1981-73), Gran Sport, Regal (thru 1987), Skylark (thru 1979), Special (from 1961), Sportwagon

MFG./YEAR	MODEL & LOCATION	PART NO.	MFG./YEAR	MODEL & LOCATION	PART NO.
<b>Transmission-Automatic (Cont.)</b>			<b>Transmission-Manual (Cont.)</b>		
<b>Front Pump (Cont.)</b>			<b>Front (Cont.)</b>		
<b>1963-1961 All:</b>			<b>1970-1965 3 Spd. Trans. w/Floor Shift:</b>		
Seal		19610	Seal		12363
(Speedi-Sleeve)		99196	(Speedi-Sleeve)		99125
			Bearing		■ 6208-NRJ
<b>Rear</b>			<b>1967-1966 3 Spd. Trans. w/V8 Eng.:</b>		
<b>1987-1976 w/o THM400 Trans.:</b>			Seal		
Seal		15041	(Speedi-Sleeve)		99125
(Speedi-Sleeve)		99149	<b>1966 3 Spd. Trans. w/V6 Eng.:</b>		
(Speedi-Sleeve/Seal Kit)		480150	Seal		12363
<b>1977-1971 THM400 Trans.:</b>			(Speedi-Sleeve)		99125
Seal		18992	<b>1966 4 Spd. Trans.:</b>		
<b>1975-1969 THM350 &amp; THM375 Trans.:</b>			Seal		12363
Seal		15041	(Speedi-Sleeve)		99125
(Speedi-Sleeve)		99149	Bearing		307-NRJ
(Speedi-Sleeve/Seal Kit)		480150	<b>1965 3 Spd. Trans.:</b>		
<b>1969-1964 Super Turbine 300 Trans.:</b>			Seal		12363
Seal		15041	(Speedi-Sleeve)		99125
(Speedi-Sleeve)		99149	<b>1965-1962 4 Spd. Trans.:</b>		
(Speedi-Sleeve/Seal Kit)		480150	Seal		12363
<b>1968-1967 THM400 Trans. w/o 400 (6.6L) Eng.:</b>			(Speedi-Sleeve)		99125
Seal		16871	Bearing		6307-NRJ
(Speedi-Sleeve)		99168	<b>1964 3 Spd. Trans.:</b>		
<b>1968-1967 THM400 Trans. w/400 (6.6L) Eng.:</b>			Seal		12363
Seal		18992	(Speedi-Sleeve)		99125
<b>1966-1964 THM400 Trans.:</b>			Bearing		207-NRJ
Seal		16871	<b>Mainshaft Pilot</b>		
(Speedi-Sleeve)		99168	<b>1973-1967 4 Spd. Trans.:</b>		
<b>1963-1961 All:</b>			Bearing		
Seal		15041	JV44-1419		
(Speedi-Sleeve)		99149	<b>1970-1967 3 Spd. Dearborn Trans.:</b>		
(Speedi-Sleeve/Seal Kit)		480150	Bearing		
<b>Shift Shaft</b>			[15] QBR23549		
<b>1987-1964 All:</b>			<b>1965-1964 3 Spd. Trans.:</b>		
Seal		4912	Bearing (Front)		
(Speedi-Sleeve)		99050	[14] C1110-Q		
(Speedi-Sleeve/Seal Kit)		480050	<b>1963-1961 3 Spd. Trans.:</b>		
<b>Transmission-Manual</b>			Bearing		
<b>Countershaft</b>			[14] QBR23549		
<b>1981-1966 3 Spd. Exc. Dearborn Trans.:</b>			<b>Rear</b>		
Bearing		[54] C407-Q	<b>1981-1968 3 Spd. Trans w/o Floor Shift:</b>		
<b>1973-1967 4 Spd. Trans.:</b>			Seal		
Bearing		[112] C407-Q	(Speedi-Sleeve)		
<b>1970-1967 3 Spd. Dearborn Trans.:</b>			(Speedi-Sleeve/Seal Kit)		
Bearing		[50] C1086-Q	480150		
<b>1965-1964 3 Spd. Trans.:</b>			Seal Kit		
Bearing		[50] C407-Q	15054		
<b>1963-1961 3 Spd. Trans.:</b>			<b>1973-1971 4 Spd. Trans.:</b>		
Bearing		[44] C407-Q	Seal		
<b>Front</b>			18992		
<b>1981-1973 3 Spd. Trans. Exc. Skylark &amp; Special:</b>			Bearing		
Seal		12363	■ 6308-NJ		
(Speedi-Sleeve)		99125	<b>1970-1966 4 Spd. Trans.:</b>		
<b>1979-1971 Skylark &amp; Special w/3 Spd. Trans.:</b>			Seal		
Seal		12363	(Speedi-Sleeve)		
(Speedi-Sleeve)		99125	(Speedi-Sleeve/Seal Kit)		
Bearing		6207-ZNRJ	480150		
<b>1973-1967 4 Spd. Trans.:</b>			Seal Kit		
Seal		12363	15054		
(Speedi-Sleeve)		99125	Bearing		
Bearing		307-VSP82	■ 6308-NJ		
<b>1970-1965 3 Spd. Trans. w/Floor Shift:</b>			<b>1970-1965 3 Spd. Trans. w/Floor Shift:</b>		
Seal		15041	Seal		
(Speedi-Sleeve)		99149	(Speedi-Sleeve)		
(Speedi-Sleeve/Seal Kit)		480150	(Speedi-Sleeve/Seal Kit)		
<b>Seal Kit</b>			480150		
<b>15054</b>			Seal Kit		
<b>15054</b>			15054		
<b>6207-NRJ</b>			Bearing		
<b>(Continued)</b>			■ 6207-NRJ		

## Passenger cars, light & medium trucks

### Buick (RWD) Century (1981-73), Gran Sport, Regal (thru 1987), Skylark (thru 1979), Special (from 1961), Sportwagon -- (Cont.)

MFG./YEAR	MODEL & LOCATION	PART NO.	MFG./YEAR	MODEL & LOCATION	PART NO.
<b>Transmission-Manual (Cont.)</b>			<b>Alternator (Cont.)</b>		
<b>Rear (Cont.)</b>			<b>1982-1980 w/o 70 &amp; 85 Amp.:</b>		
<b>1967-1966</b>	<b>3 Spd. Trans. w/V8 Eng.:</b>		Bearing (Front) .....		<b>6203-ZJ</b>
Seal .....		<b>15041</b>	Bearing (Rear) .....		<b>MNJ471-S</b>
(Speedi-Sleeve) .....		99149	<b>1982-1980 70 &amp; 85 Amp.:</b>		
(Speedi-Sleeve/Seal Kit) .....		480150	Bearing (Front) .....		<b>6203-ZJ</b>
Seal Kit .....		<b>15054</b>	Bearing (Rear) .....		<b>BA608</b>
<b>1966</b>	<b>3 Spd. Trans. w/V6 Eng.:</b>		<b>1979-1972 All:</b>		
Seal .....		<b>15041</b>	Bearing (Front) .....		<b>6203-ZJ</b>
(Speedi-Sleeve) .....		99149	Bearing (Rear) .....		<b>MNJ471-S</b>
(Speedi-Sleeve/Seal Kit) .....		480150	<b>1971 w/o 80 Amp.:</b>		
Seal Kit .....		<b>15054</b>	Bearing (Front) .....		<b>6203-RSJ</b>
Bearing .....		<b>6306-ZNRJ</b>	Bearing (Rear) .....		<b>MNJ471-S</b>
<b>1965</b>	<b>3 Spd. Trans.:</b>		<b>1971 80 Amp.:</b>		
Seal .....		<b>15041</b>	Bearing (Front) .....		<b>6203-ZJ</b>
(Speedi-Sleeve) .....		99149	Bearing (Rear) .....		<b>MNJ471-S</b>
(Speedi-Sleeve/Seal Kit) .....		480150	<b>1970-1961 All:</b>		
Seal Kit .....		<b>15054</b>	Bearing (Front) .....		<b>6203-RSJ</b>
Bearing .....		<b>6306-NRJ</b>	Bearing (Rear) .....		<b>MNJ471-S</b>
<b>1965-1962</b>	<b>4 Spd. Trans.:</b>		<b>Drive Shaft</b>		
Seal .....		<b>15041</b>	<b>1963-1961 All:</b>		
(Speedi-Sleeve) .....		99149	Bearing Only .....		
(Speedi-Sleeve/Seal Kit) .....		480150			
Seal Kit .....		<b>15054</b>			
Bearing .....		<b>6306-NRJ</b>			
<b>1964</b>	<b>3 Spd. Trans.:</b>		<b>Engine</b>		
Seal .....		<b>15041</b>	<b>Crankshaft-Rear</b>		
(Speedi-Sleeve) .....		99149	<b>1987-1986 305 (5.0L) Eng.:</b>		
(Speedi-Sleeve/Seal Kit) .....		480150	Seal (Viton) .....		<b>37026</b>
Seal Kit .....		<b>15054</b>	(Speedi-Sleeve) .....		99369
Bearing .....		■ <b>306-NJ</b>	Seal .....		<b>37027</b>
<b>1963-1961</b>	<b>3 Spd. Trans.:</b>		(Speedi-Sleeve) .....		99364
Seal .....		<b>15041</b>	<b>1987-1976 196 (3.2L), 231 (3.8L) &amp; 252 (4.1L) Eng.s.; 260</b>		
(Speedi-Sleeve) .....		99149	<b>(4.3L) Diesel Eng.:</b>		
(Speedi-Sleeve/Seal Kit) .....		480150	Seal Kit .....		<b>191</b>
Seal Kit .....		<b>15054</b>	<b>1987-1976 260 (4.3L), 307 (5.0L), 350 H, J, R, Diesel</b>		
Bearing .....		■ <b>6207-NRJ</b>	<b>(5.7L) &amp; 403 (6.6L) Eng.s.:</b>		
<b>Shift Shaft</b>			Seal Kit .....		<b>191</b>
<b>1981-1967 All:</b>			<b>1985-1977 267 (4.4L), 305 (5.0L) &amp; 350 (5.7L) Eng.s.:</b>		
Seal .....		<b>7410</b>	Seal Kit .....		<b>199</b>
(Speedi-Sleeve) .....		99076	<b>1981-1977 265 (4.3L) &amp; 301 (4.9L) Eng.s.:</b>		
(Speedi-Sleeve/Seal Kit) .....		480074	Seal Kit .....		<b>185</b>
<b>1963-1961 All:</b>			<b>1975-1961 w/o 250 Eng.:</b>		
Seal .....		<b>6130</b>	Seal Kit .....		<b>191</b>
(Speedi-Sleeve) .....		99062	<b>1971-1968 250 (4.1L) Eng.:</b>		
<b>Air Conditioning Clutch</b>			Seal Kit .....		<b>199</b>
<b>1987-1961 All:</b>			<b>Accessory Drive Belt Idler</b>		
Bearing .....		<b>5908-VAW</b>	<b>1987-1985 3.8L, 5.0L &amp; 5.7L Eng.s.:</b>		
<b>Air Conditioning Compressor</b>			Bearing (Pulley) .....		<b>VKM900022</b>
<b>1987-1975 RadialComp.:</b>			<b>Timing Cover</b>		
Bearing .....		<b>B128</b>	<b>1987-1982 260 Diesel (4.3L), 307 (5.0L) &amp; 350 Diesel</b>		
<b>Alternator</b>			<b>(5.7L) Eng.s.:</b>		
<b>1987-1986 120 Amp.:</b>			Seal .....		<b>19887</b>
Bearing (Front) .....		<b>6203-2RSJ</b>	(Speedi-Sleeve) .....		99199
Bearing (Rear) .....		<b>6000-2RSJ</b>	<b>1987-1977 267 (4.4L), 305 (5.0L) &amp; 350 L (5.7L) Eng.s.:</b>		
<b>1987-1983 Exc. 70, 85 &amp; 120 Amp.:</b>			Seal .....		<b>17286</b>
Bearing (Front) .....		<b>6203-2RSJ</b>	(Speedi-Sleeve) .....		99176
Bearing (Rear) .....		<b>MNJ471-S</b>	(Speedi-Sleeve/Seal Kit) .....		480177
<b>1987-1983 70 &amp; 85 Amp.:</b>			<b>1987-1976 196 (3.2L), 231 (3.8L) &amp; 252 (4.1L) Eng.s.:</b>		
Bearing (Front) .....		<b>6203-2RSJ</b>	Seal Kit .....		<b>144</b>
Bearing (Rear) .....		<b>BA608</b>	(Continued)		

## Passenger cars, light & medium trucks

### (Cont.) -- Buick (RWD) Century (1973-81), Gran Sport, Regal (thru 1987), Skylark (thru 1979), Special (from 1961), Sportwagon

MFG./YEAR	MODEL & LOCATION	PART NO.	MFG./YEAR	MODEL & LOCATION	PART NO.
<b>Engine (Cont.)</b>			<b>Steering-Power (Cont.)</b>		
<b>Timing Cover (Cont.)</b>			<b>Pump Shaft</b>		
1981-1977	265 (4.3L) & 301 (4.9L) Engs.:		1987-1964	w/o Remote Reservoir:	
	Seal .....	18492		Seal .....	7475
	(Speedi-Sleeve) .....	99186	1963-1961	All:	
	(Speedi-Sleeve/Seal Kit) .....	480184		Seal .....	6765
1977	350 R (5.7L) & 403 (6.6L) Engs.:		<b>Worm Shaft</b>		
	Seal .....	19887	1987-1982	All:	
	(Speedi-Sleeve) .....	99199		Seal .....	7905
1977-1976	350 H & J (5.7L) Engs.:		1981-1978	605 Gear (Round Side Cvr.):	
	Seal Kit .....	144		Seal .....	8648
1976-1975	260 (4.3L) Eng.:		1979-1976	800 Gear (4 Bolt Side Cvr.):	
	Seal .....	19887		Seal .....	8660
	(Speedi-Sleeve) .....	99199	<b>Steering-Standard</b>		
1975-1961	w/o 250 (4.1L) & 260 (4.3L) Engs.:		<b>Pitman Shaft</b>		
	Seal Kit .....	144	1981-1961	All:	
1971-1968	250 (4.1L) Eng.:			Seal .....	11055
	Seal .....	17286	<b>Worm Shaft</b>		
	(Speedi-Sleeve) .....	99176	1981-1964	All:	
	(Speedi-Sleeve/Seal Kit) .....	480177		Seal .....	7481
<b>Steering-Power</b>			1963-1961	All:	
<b>Pitman Shaft</b>				Seal .....	7415
1987-1961	800 Gear (4 Bolt Side Cvr.):				
	Seal (Inner) .....	12371			
	Seal (Outer) .....	12355			
	Seal Kit .....	12392			
1981-1978	605 Gear (Round Side Cvr.):				
	Seal .....	11143			

### Cadillac (FWD) Allante, Cimarron, DeVille (from 1985), DeVille Concours, Eldorado (from 1967), Fleetwood (from 1985), Seville (from 1980)

<b>Wheel Front</b>		<b>Wheel Front (Cont.)</b>	
1995-1994	DeVille, DeVille Concours, Eldorado & Seville:	1991-1989	Exc. DeVille & Fleetwood:
	Hub Assembly .....	BR930076	Seal .....
1995-1991	Comm. Chas. w/o ABS:		Hub Assembly .....
	Seal .....	19784	BR930061
	Bearing (Inner) .....	BR5	1991-1985
	(Set Components) .....	LM48548/LM48510	DeVille & Fleetwood w/o H.D. Brks.:
	Bearing (Outer) .....	BR3	Seal .....
	(Set Components) .....	M12649/M12610	24097
1995-1991	Comm. Chas. w/ABS:		Hub Assembly (Kit) .....
	Seal .....	19784	BR930022K
	Bearing (Inner) .....	BR6	1988-1986
	(Set Components) .....	LM67048/LM67010	Exc. Cimarron:
	Bearing (Outer) .....	BR3	Seal .....
	(Set Components) .....	M12649/M12610	24097
1993	Allante, DeVille, Eldorado & Seville w/ABS:		Hub Assembly (Kit) .....
	Hub Assembly .....	BR930076	BR930022K
1993-1992	DeVille & Fleetwood w/o ABS & H.D. Brks.:		1985-1980
	Seal .....	24097	Seville:
	Hub Assembly .....	BR930077	Seal .....
1993-1990	DeVille & Fleetwood w/H.D. Brks.:		21961
	Seal .....	24097	Hub Assembly (Kit) .....
	Hub Assembly .....	BR930072	BR930052K
1992	DeVille, Eldorado & Seville w/ABS:		1985-1979
	Hub Assembly .....	BR930076	Eldorado:
1992	Allante:		Seal .....
	Seal .....	24097	21961
	Hub Assembly .....	BR930061	Hub Assembly (Kit) .....
			BR930052K
			1984-1982
			Cimarron 1st Design w/10mm Hole in Mtg.
			Fig.:
			Seal .....
			18765
			Hub Assembly (Kit) .....
			BR930034K
			(Continued)

## Passenger cars, light & medium trucks

### Cadillac (FWD) Allante, Cimarron, DeVille (from 1985), DeVille Concours, Eldorado (from 1967), Fleetwood (from 1985), Seville (from 1980) -- (Cont.)

MFG./YEAR	MODEL & LOCATION	PART NO.	MFG./YEAR	MODEL & LOCATION	PART NO.
<b>Wheel Front (Cont.)</b>			<b>Transaxle-Automatic (Cont.)</b>		
<b>1978-1969 Eldorado:</b>			<b>Front Pump</b>		
	Seal (Inner) .....	25515	<b>1995-1993 4T80E Trans.:</b>		
	Seal (Outer) .....	24888	Seal .....		18953
	Bearing .....	BR23	(Speedi-Sleeve) .....		99189
<b>Wheel Rear</b>			<b>1995-1993 4T60E Trans.:</b>		
<b>1995-1994 DeVille, Eldorado &amp; Seville:</b>			Seal .....		17849
	Hub Assembly .....	BR930191	<b>1992-1982 w/o THM325 Trans.:</b>		
<b>1993 Allante, Eldorado &amp; Seville:</b>			Seal .....		17849
	Hub Assembly .....	BR930191	<b>1985-1982 THM325 Trans.:</b>		
<b>1993-1991 DeVille &amp; Fleetwood w/ABS:</b>			Seal .....		17458
	Hub Assembly .....	BR930068	(Speedi-Sleeve) .....		99174
<b>1993-1985 DeVille &amp; Fleetwood w/o ABS &amp; H.D. Brks.:</b>			<b>1981-1979 THM325 Trans.:</b>		
	Hub Assembly .....	BR930026	Seal .....		18692
<b>1992-1991 Allante, Eldorado &amp; Seville:</b>			(Speedi-Sleeve) .....		99187
	Hub Assembly .....	BR930074	(Speedi-Sleeve/Seal Kit) .....		480187
<b>1990-1988 Eldorado &amp; Seville w/ABS:</b>			<b>1975-1968 THM Trans.:</b>		
	Hub Assembly .....	BR930049	Seal .....		18692
<b>1990-1987 Allante, DeVille &amp; Fleetwood w/ABS:</b>			(Speedi-Sleeve) .....		99187
	Hub Assembly .....	BR930049	(Speedi-Sleeve/Seal Kit) .....		480187
<b>1990-1986 Allante, Eldorado &amp; Seville w/o ABS:</b>			<b>Output Shaft</b>		
	Hub Assembly .....	BR930026	<b>1995-1993 4T80E Trans.:</b>		
<b>1990-1986 DeVille &amp; Fleetwood Brougham w/12" X 2.5" Rr. Brks.:</b>			Seal (L.H.) .....		16295
	Seal .....	16044	Seal (R.H.) .....		16392
	(Superseded by) .....	16404	<b>1995-1991 4T60E Trans.:</b>		
	Bearing .....	R1559-TV	Seal (L.H.) .....		13959
	(Axle Repair Brg. Assy.) .....	R1559	(Speedi-Sleeve) (L.H.) .....		99139
<b>1988-1982 Cimarron:</b>			Seal (R.H.) .....		13750
	Hub Assembly .....	BR930093	(Speedi-Sleeve) (R.H.) .....		99138
<b>1978-1967 Eldorado:</b>			<b>1992-1985 THM440 Trans.:</b>		
	Seal .....	18990	Seal (L.H.) .....		13959
	Bearing (Inner) .....	BR5	(Speedi-Sleeve) (L.H.) .....		99139
	(Set Components) .....	LM48548/LM48510	Seal (R.H.) .....		13750
	Bearing (Outer) .....	BR2	(Speedi-Sleeve) (R.H.) .....		99138
	(Set Components) .....	LM11949/LM11910	<b>1988-1982 THM125 Trans.:</b>		
<b>Clutch</b>			Seal .....		13750
<b>Release</b>			(Speedi-Sleeve) .....		99138
<b>1987-1983 Cimarron w/5 Spd. Isuzu Trans.:</b>			<b>1985-1979 THM325 Trans.:</b>		
	Bearing Assembly .....	N4042	Seal .....		11690
<b>1986-1982 Cimarron w/4 Spd. Trans.:</b>			(Speedi-Sleeve) .....		99114
	Bearing Assembly .....	N3015	<b>1978-1968 Eldorado:</b>		
	(Self-Aligning) .....	N3015-SA	Seal (L.H.) .....		17746
<b>Transaxle-Automatic</b>			(Speedi-Sleeve) (L.H.) .....		99174
<b>Differential</b>			Seal (R.H.) .....		15041
<b>1985-1980 Seville:</b>			(Speedi-Sleeve) (R.H.) .....		99149
	Bearing .....	BR72	(Speedi-Sleeve) /Seal Kit (R.H.) .....		480150
	(Set Components) .....	LM501349/LM501314	<b>Pinion</b>		
<b>1985-1979 Eldorado:</b>			<b>1985-1980 Seville:</b>		
	Bearing .....	BR72	Seal .....		18436
	(Set Components) .....	LM501349/LM501314	Bearing (Front) .....		M804049/M804010
<b>Drive Link Sprocket</b>			Bearing (Rear) .....		M802048/M802011
<b>1978-1976 Eldorado:</b>			<b>1985-1979 Eldorado:</b>		
	Bearing .....	6207-J	Seal .....		18436
<b>1975-1967 Eldorado:</b>			Bearing (Front) .....		M804049/M804010
	Bearing .....	6207-NRJ	Bearing (Rear) .....		M802048/M802011
			<b>1978-1967 Eldorado:</b>		
			Seal .....		16364
			(Speedi-Sleeve) .....		99162
			(Continued)		

## Passenger cars, light & medium trucks

(Cont.) -- Cadillac (FWD) Allante, Cimarron, DeVille (from 1985), DeVille Concours, Eldorado (from 1967), Fleetwood (from 1985), Seville (from 1980)

MFG./YEAR	MODEL & LOCATION	PART NO.	MFG./YEAR	MODEL & LOCATION	PART NO.
<b>Transaxle-Automatic (Cont.)</b>			<b>Transaxle-Manual (Cont.)</b>		
<b>Shift Shaft</b>			<b>Shift Shaft (Cont.)</b>		
1995-1984	Exc. Cimarron:		1986-1982	Cimarron w/4 Spd. Trans.:	
	Seal .....	4912		Seal .....	5606
	(Speedi-Sleeve) .....	99050		(Speedi-Sleeve) .....	99056
	(Speedi-Sleeve/Seal Kit) .....	480050			
1983-1982	Cimarron:		<b>Air Conditioning Clutch</b>		
	Seal .....	3683	1995-1967	Exc. Fleetwood:	
1983-1982	Exc. Cimarron:			Bearing .....	5908-VAW
	Seal .....	4912	<b>Air Conditioning Compressor</b>		
	(Speedi-Sleeve) .....	99050	1988-1977	Radial Comp.:	
	(Speedi-Sleeve/Seal Kit) .....	480050		Bearing .....	B128
1981-1979	All:		<b>Alternator</b>		
	Seal .....	4912	1995-1992	140 Amp.:	
	(Speedi-Sleeve) .....	99050		Bearing (Rear) .....	DB65093
	(Speedi-Sleeve/Seal Kit) .....	480050	1992-1991	Allante:	
<b>Transaxle-Manual</b>				Bearing (Front) .....	6203-2RSJ
<b>Clutch Fork</b>				Bearing (Rear) .....	6000-2RSJ
1987-1982	Cimarron:		1990-1986	Exc. Cimarron:	
	Seal .....	9723		Bearing (Rear) .....	6000-2RSJ
	(Speedi-Sleeve) .....	99098	1986	Cimarron:	
<b>Differential</b>				Bearing (Front) .....	6203-2RSJ
1988-1982	Cimarron w/4 & 5 Spd. Muncie Trans.:			Bearing (Rear) .....	MNJ471-S
	Bearing .....	BR11	1985-1972	w/o 70 & 85 Amp.:	
	(Set Components) .....	JL69349/JL69310		Bearing (Front) .....	6203-ZJ
1987-1983	Cimarron w/5 Spd. Isuzu Trans.:			Bearing (Rear) .....	MNJ471-S
	Bearing .....	32008-X	1982-1980	70 & 85 Amp.:	
<b>Input Shaft</b>				Bearing (Front) .....	6203-ZJ
1987-1983	Cimarron w/5 Spd. Isuzu Trans.:			Bearing (Rear) .....	BA608
	Seal .....	10937	<b>Engine</b>		
	(Speedi-Sleeve) .....	99111	<b>Camshaft</b>		
	Bearing (Rear) .....	BR30306	1995-1993	281 (4.6L) Eng.:	
1986-1982	Cimarron w/4 Spd. Trans.:			Seal .....	6455
	Seal .....	10583	<b>Crankshaft-Rear</b>		
	(Speedi-Sleeve) .....	99106	1995-1993	281 (4.6L) 1st Design Eng.:	
	Bearing (Front) .....	BR4		Seal .....	37570
	(Set Components) .....	L44649/L44610	1995-1993	300 (4.9L) Eng.:	
	Bearing (Rear) .....	BR15101/BR15245		Seal .....	28332
<b>Output Shaft</b>			1992	All:	
1988-1987	Cimarron w/5 Spd. Muncie Trans.:			Seal .....	28332
	Seal .....	13750	1991-1988	Allante, DeVille & Fleetwood w/o Diesel & 250 (4.1L) Eng.:	
	(Speedi-Sleeve) .....	99138		Seal .....	28332
1987-1983	Cimarron w/5 Spd. Isuzu Trans.:		1988-1983	121 (2.0L) 2nd Design & 173 (2.8L) Eng.:	
	Seal .....	13750		Seal .....	29862
	(Speedi-Sleeve) .....	99138		(Speedi-Sleeve) .....	99298
	Bearing (Rear) .....	BR32206	1985	260 (4.3L) Diesel Eng. Deville & Fleetwood:	
1986-1982	Cimarron w/4 Spd. Trans.:			Seal Kit .....	191
	Seal .....	13750	1985-1979	350 (5.7L) Gas & Diesel Eng.:	
	(Speedi-Sleeve) .....	99138		Seal Kit .....	191
	Bearing .....	BR5	1982	112 (1.8L) 2nd Design Eng.:	
	(Set Components) .....	LM48548/LM48510		Seal .....	29862
<b>Shift Shaft</b>				(Speedi-Sleeve) .....	99298
1988-1987	Cimarron w/5 Spd. Muncie Trans.:		<b>Accessory Drive Belt Idler</b>		
	Seal .....	5806	1995-1985	2.0L, 4.1L, 4.5L, 4.6L, 5.0L & 5.7L Eng.:	
	(Speedi-Sleeve) .....	99059		Bearing (Pulley) .....	VKM900022
1987-1983	Cimarron w/5 Spd. Isuzu Trans.:		<b>Timing Cover</b>		
	Seal .....	6408	1995-1993	281 (4.6L) Eng.:	
	(Speedi-Sleeve) .....	99058		Seal .....	19905

(Continued)

## Passenger cars, light & medium trucks

### Cadillac (FWD) Allante, Cimarron, DeVille (from 1985), DeVille Concours, Eldorado (from 1967), Fleetwood (from 1985), Seville (from 1980) -- (Cont.)

MFG./YEAR	MODEL & LOCATION	PART NO.	MFG./YEAR	MODEL & LOCATION	PART NO.
<b>Engine (Cont.)</b>			<b>Steering-Power</b>		
<b>Timing Cover (Cont.)</b>			<b>Pitman Shaft</b>		
1995-1993	300 (4.9L) Eng.:		1990-1967	Eldorado:	
	Seal .....	19762		Seal (Inner) .....	12371
	(Speedi-Sleeve) .....	99199		Seal (Outer) .....	12355
1992-1983	250 (4.1L), 273 (4.5L) & 300 (4.9L) Engs.:			Seal Kit .....	12392
	Seal .....	19762	<b>Pump Shaft</b>		
	(Speedi-Sleeve) .....	99199	1995-1993	Allante & 281 (4.6L) Eng.:	
1988-1985	173 (2.8L) Eng.:			Bearing .....	6203-2RSJ
	Seal .....	17286	1995-1994	299 (4.9L) Eng.:	
	(Speedi-Sleeve) .....	99176		Seal .....	7474
	(Speedi-Sleeve/Seal Kit) .....	480177	1993-1991	w/o 281 (4.6L) Eng. Exc. Allante:	
1986-1985	121 (2.0L) Eng.:			Seal .....	7475
	Seal .....	17286	1984-1967	All:	
	(Speedi-Sleeve) .....	99176		Seal .....	7475
	(Speedi-Sleeve/Seal Kit) .....	480177	<b>Worm Shaft</b>		
1985	DeVille & Fleetwood w/260 (4.3L) Diesel Eng.:		1988-1987	Allante:	
	Seal .....	19887		Seal .....	9705
	(Speedi-Sleeve) .....	99199	1985-1979	Eldorado:	
1985-1979	350 (5.7L) Gas & Diesel Engs.:			Seal .....	7905
	Seal .....	19887	1975-1967	Eldorado:	
	(Speedi-Sleeve) .....	99199		Seal .....	8660
1984-1982	112 (1.8L) & 121 (2.0L) Engs.:				
	Seal .....	17286			
	(Speedi-Sleeve) .....	99176			
	(Speedi-Sleeve/Seal Kit) .....	480177			
1982-1981	252 (4.1L) Eng.:				
	Seal Kit .....	144			
1981-1980	368 (6.0L) Eng.:				
	Seal .....	21110			
	(Speedi-Sleeve) .....	99212			
1978-1976	425 (7.0L) & 500 (8.2L) Engs.:				
	Seal .....	21110			
	(Speedi-Sleeve) .....	99212			

### Cadillac (RWD) Calais, Commercial Chassis, DeVille (thru 1984), Fleetwood (thru 1984), Fleetwood Brougham, Limousine, Seville (thru 1979)

<p><b>Wheel Front</b></p> <p>1995-1991 Fleetwood Brougham w/o ABS:</p> <p>Seal ..... 19984</p> <p>Bearing (Inner) ..... BR5</p> <p>(Set Components) ..... LM48548/LM48510</p> <p>Bearing (Outer) ..... BR3</p> <p>(Set Components) ..... M12649/M12610</p> <p>1995-1991 Fleetwood Brougham w/ABS:</p> <p>Seal ..... 19984</p> <p>Bearing (Inner) ..... BR6</p> <p>(Set Components) ..... LM67048/LM67010</p> <p>Bearing (Outer) ..... BR3</p> <p>(Set Components) ..... M12649/M12610</p> <p>1990-1978 Deville &amp; Fleetwood Exc. Comm. Chas., Limo &amp; Seville:</p> <p>Seal ..... 19984</p> <p>Bearing (Inner) ..... BR6</p> <p>(Set Components) ..... LM67048/LM67010</p> <p>Bearing (Outer) ..... BR3</p> <p>(Set Components) ..... M12649/M12610</p>	<p><b>Wheel Front (Cont.)</b></p> <p>1984-1973 Comm. Chas. &amp; Limo:</p> <p>Seal ..... 19984</p> <p>Bearing (Inner) ..... BR5</p> <p>(Set Components) ..... LM48548/LM48510</p> <p>Bearing (Outer) ..... BR3</p> <p>(Set Components) ..... M12649/M12610</p> <p>1979-1976 Seville:</p> <p>Seal ..... 19984</p> <p>Bearing (Inner) ..... BR6</p> <p>(Set Components) ..... LM67048/LM67010</p> <p>Bearing (Outer) ..... BR2</p> <p>(Set Components) ..... LM11949/LM11910</p> <p>1977 Exc. Comm. Chas., Limo &amp; Seville:</p> <p>Seal ..... 19984</p> <p>Bearing (Inner) ..... BR6</p> <p>(Set Components) ..... LM67048/LM67010</p> <p>Bearing (Outer) ..... BR2</p> <p>(Set Components) ..... LM11949/LM11910</p> <p style="text-align: right;">(Continued)</p>
--	--

# Passenger cars, light & medium trucks

## (Cont.) -- Cadillac (RWD) Calais, Commercial Chassis, DeVille (thru 1984), Fleetwood (thru 1984), Fleetwood Brougham, Limousine, Seville (thru 1979)

MFG./YEAR	MODEL & LOCATION	PART NO.	MFG./YEAR	MODEL & LOCATION	PART NO.
<b>Wheel Front (Cont.)</b>			<b>Wheel Rear (Cont.)</b>		
1976-1972	Exc. Comm. Chas., Limo & Seville:		1985-1984	DeVille & Fleetwood Brougham w/8.50" Ring Gear:	
	Seal .....	19984		Seal .....	13992
	Bearing (Inner) .....	BR5		Bearing .....	R1563-TAV
	(Set Components) .....	LM48548/LM48510		(Axle Repair Brg. Assy.) .....	• R1563
	Bearing (Outer) .....	BR3	1984-1977	Comm. Chas. & Limo:	
	(Set Components) .....	M12649/M12610		Seal .....	↔16044
1972	Comm. Chas. & Limo:			(Superseded by:)	16404
	Seal .....	19768		Bearing .....	R1559-TV
	Bearing (Inner) .....	BR5		(Axle Repair Brg. Assy.) .....	• R1559
	(Set Components) .....	LM48548/LM48510	1983-1977	Exc. Comm. Chas. & Limo.:	
	Bearing (Outer) .....	BR3		Seal .....	13992
	(Set Components) .....	M12649/M12610		Bearing .....	R1563-TAV
1971-1968	Disc Brks.:			(Axle Repair Brg. Assy.) .....	• R1563
	Seal .....	19768	1979-1976	Seville:	
	Bearing (Inner) .....	BR5		Seal .....	13992
	(Set Components) .....	LM48548/LM48510		Bearing .....	R1563-TAV
	Bearing (Outer) .....	BR3		(Axle Repair Brg. Assy.) .....	• R1563
	(Set Components) .....	M12649/M12610	1976-1970	Exc. Comm. Chas., Limo & Seville:	
1968-1967	w/o Disc Brks.:			Seal .....	18731
	Seal .....	19803		Bearing .....	BR10
	Bearing (Inner) .....	BR5	1976-1970	Comm. Chas. & Limo:	
	(Set Components) .....	LM48548/LM48510		Bearing .....	RSN1584-EV
	Bearing (Outer) .....	BR3	1969-1966	All:	
	(Set Components) .....	M12649/M12610		Seal .....	21070
1967-1960	All:			Bearing w/Lock Ring .....	RW509-FR
	Seal .....	19803	1965-1957	Exc. Comm. Chas.:	
	Bearing (Inner) .....	BR5		Seal .....	21070
	(Set Components) .....	LM48548/LM48510		Bearing w/Lock Ring .....	RW509-FR
	Bearing (Outer) .....	BR3	1965-1946	Comm. Chas.:	
	(Set Components) .....	M12649/M12610		Seal .....	19300
1959-1958	Exc. Comm. Chas. & Limo.:		1956-1949	Exc. Comm. Chas.:	
	Bearing (Inner) .....	B66		Seal .....	15039
	Bearing (Outer) .....	B73		Sealed Bearing w/Lock Ring .....	88128-R
1959-1958	Comm. Chas. & Limo:		1948-1946	Exc. Comm. Chas.:	
	Seal .....	19940		Seal .....	15975
	Bearing (Inner) .....	B66		Sealed Bearing w/Lock Ring .....	88128-R
	Bearing (Outer) .....	B73	1942-1941	Exc. Comm. Chas.:	
1957	All:			Sealed Bearing w/Lock Ring .....	88128-R
	Seal .....	19940	<b>Pinion</b>		
	Bearing (Inner) .....	B66	1995-1991	Fleetwood Brougham w/9.50" Ring Gear:	
	Bearing (Outer) .....	B73		Seal .....	19314
1956-1941	All:			(Speedi-Sleeve) .....	99193
	Seal .....	19940		Bearing (Front) .....	HM88649/HM88610
	Bearing (Inner) .....	B62		Bearing (Rear) .....	HM804846/HM804810
	Bearing (Outer) .....	B73	1995-1986	Fleetwood Brougham w/8.50" Ring Gear:	
<b>Wheel Rear</b>				Seal .....	19273
1995-1991	Fleetwood Brougham w/9.50" Ring Gear:			(Speedi-Sleeve) .....	99193
	Seal .....	17037		Bearing (Front) .....	BR52
	Bearing .....	R1561-TV		(Set Components) .....	M88048/M88010
	(Axle Repair Brg. Assy.) .....	• R1561-F		Bearing (Rear) .....	M802048/M802011
1995-1984	7.50" & 7.625" Ring Gears:		1990-1982	Deville & Fleetwood Brougham w/7.50" & 7.625" Ring Gears:	
	Seal .....	13992		Seal .....	15315
	Bearing .....	R1563-TAV		(Speedi-Sleeve) .....	99152
	(Axle Repair Brg. Assy.) .....	• R1563		Bearing (Front) .....	M86649/M86610
1990-1986	Fleetwood Brougham:			Bearing (Rear) .....	HM89249/HM89210
	Seal .....	13992			(Continued)
	Bearing .....	R1563-TAV			
	(Axle Repair Brg. Assy.) .....	• R1563			

## Passenger cars, light & medium trucks

### Cadillac (RWD) Calais, Commercial Chassis, DeVille (thru 1984), Fleetwood (thru 1984), Fleetwood Brougham, Limousine, Seville (thru 1979) -- (Cont.)

MFG./YEAR	MODEL & LOCATION	PART NO.	MFG./YEAR	MODEL & LOCATION	PART NO.
<b>Pinion (Cont.)</b>			<b>Differential (Cont.)</b>		
1984-1977	Comm. Chas. & Limo. w/8.75" Ring Gear:		1995-1982	DeVille & Fleetwood Brougham w/7.50", 7.625" & 8.50" Ring Gears:	
	Seal .....	19273		Bearing .....	BR72
	(Speedi-Sleeve) .....	99193		(Set Components) .....	LM501349/LM501314
	Bearing (Front) .....	BR52	1984-1977	8.75" Ring Gear Exc. Seville:	
	(Set Components) .....	M88048/M88010		Bearing .....	BR36
	Bearing (Rear) .....	M804049/M804010		(Set Components) .....	LM603049/LM603012
1984-1977	8.50" Ring Gear:		1979-1976	Seville:	
	Seal .....	19273		Bearing .....	BR72
	(Speedi-Sleeve) .....	99193		(Set Components) .....	LM501349/LM501314
	Bearing (Front) .....	BR52	1976-1970	Exc. Seville:	
	(Set Components) .....	M88048/M88010		Bearing (L.H.) .....	LM104949/LM104911-A
	Bearing (Rear) .....	M804049/M804010		Bearing (R.H.) .....	BR38
1981-1977	Exc. Comm. Chas. & Limo.:			(Set Components) .....	LM104949/LM104911
	Seal .....	19273	<b>Kit</b>		
	(Speedi-Sleeve) .....	99193	1995-1994	9.50 " Ring Gear:	
	Bearing (Front) .....	BR52		Standard Seal and Bearing Kit Rear .....	SDK324
	(Set Components) .....	M88048/M88010	<b>Transmission-Automatic</b>		
	Bearing (Rear) .....	M802048/M802011	<b>Front Pump</b>		
1979-1976	Seville:		1995-1990	THM700 & 4L60E Trans.:	
	Seal .....	19273		Seal Kit .....	17459
	(Speedi-Sleeve) .....	99193		(Speedi-Sleeve) .....	99174
	Bearing (Front) .....	BR52	1990-1976	THM200 Trans.:	
	(Set Components) .....	M88048/M88010		Seal .....	17458
	Bearing (Rear) .....	M802048/M802011		(Speedi-Sleeve) .....	99174
1976-1970	Exc. Seville:		1990-1976	THM350 & THM400 Trans.:	
	Seal .....	19273		Seal .....	18692
	(Speedi-Sleeve) .....	99193		(Speedi-Sleeve) .....	99187
	Bearing (Front) .....	BR52		(Speedi-Sleeve/Seal Kit) .....	480187
	(Set Components) .....	M88048/M88010	1975-1964	THM Trans.:	
	Bearing (Pilot) .....	R1581-TV		Seal .....	18692
	Bearing (Rear) .....	HM89449/HM89410		(Speedi-Sleeve) .....	99187
1969-1960	All:			(Speedi-Sleeve/Seal Kit) .....	480187
	Seal .....	18922	1969-1956	Trans. No. CS56-1101 Thru 1400 w/o THM Trans.:	
	(Speedi-Sleeve) .....	99187		Seal .....	24899
	Bearing (Front) .....	HM89449/HM89410		(Speedi-Sleeve) .....	99250
1959-1957	w/o Carrier No. 1473735 & 1473782:		1957-1956	w/o Trans. No. CS56-1101 Thru 1400:	
	Seal .....	18948		Seal .....	23646
	(Speedi-Sleeve) .....	99187		(Speedi-Sleeve) .....	99238
	Bearing (Front) .....	HM803145/HM803110	1955-1941	w/o '53 Dynaflo Trans.:	
1959-1957	Carrier No. 1473735 & 1473782:			Seal .....	25950
	Seal .....	18922	1953	Dynaflo Trans.:	
	(Speedi-Sleeve) .....	99187		Seal .....	17386
	Bearing (Front) .....	HM803145/HM803110		(Speedi-Sleeve) .....	99174
1956-1953	All:		1940-1938	Exc. Comm. Chas.:	
	Seal .....	18948		Seal .....	15142
	(Speedi-Sleeve) .....	99187		(Speedi-Sleeve) .....	99149
	Bearing (Front) .....	HM803145/HM803110	1940-1938	Comm. Chas.:	
1952-1946	w/o Diff. Hsg. w/Cup Type Plug In Yoke End of Carrier:			Seal .....	18733
	Seal .....	18671		(Speedi-Sleeve) .....	99187
	(Speedi-Sleeve) .....	99187	<b>Rear</b>		
1952-1946	Diff. Hsg. w/Cup Type Plug In Yoke End of Carrier:		1995-1984	THM200, THM350, THM400, THM700 & 4L60E Trans:	
	Seal .....	18948		Seal .....	15041
	(Speedi-Sleeve) .....	99187		(Speedi-Sleeve) .....	99149
				(Speedi-Sleeve/Seal Kit) .....	480150
<b>Differential</b>			1983-1976	THM400 Trans.:	
1995-1991	Fleetwood Brougham w/9.50" Ring Gear:			Seal .....	18992
	Bearing .....	BR42	(Continued)		
	(Set Components) .....	JLM506849A/JLM506811			



## Passenger cars, light & medium trucks

### (Cont.) -- Cadillac (RWD) Calais, Commercial Chassis, DeVille (thru 1984), Fleetwood (thru 1984), Fleetwood Brougham, Limousine, Seville (thru 1979)

MFG./YEAR	MODEL & LOCATION	PART NO.	MFG./YEAR	MODEL & LOCATION	PART NO.
<b>Transmission-Automatic (Cont.)</b>			<b>Engine</b>		
<b>Rear (Cont.)</b>			<b>Crankshaft-Rear</b>		
1982-1980	THM350 Trans.:		1995-1990	305 (5.0L) & 350 (5.7L) Engs.:	
	Seal .....	15041		Seal (Viton) .....	37026
	(Speedi-Sleeve) .....	99149		(Speedi-Sleeve) (Viton) .....	99369
	(Speedi-Sleeve/Seal Kit) .....	480150		Seal .....	37027
1975-1968	All:			(Speedi-Sleeve) .....	99364
	Seal .....	18992	1990-1986	307 (5.0L) Eng.:	
1967-1946	All:			Seal Kit .....	191
	Seal .....	16871	1985-1976	350 (5.7L) Gas & Diesel Engs.:	
	(Speedi-Sleeve) .....	99168		Seal Kit .....	191
1942-1941	Hydramatic Trans.:		1982-1980	252 (4.1L) Eng.:	
	Seal .....	15142		Seal Kit .....	191
	(Speedi-Sleeve) .....	99149	1962-1958	From Vin. 050990:	
				Seal Kit .....	216
<b>Shift Shaft</b>			<b>Accessory Drive Belt Idler</b>		
1995-1964	All:		1995-1985	4.1L, 4.5L, 4.6L, 5.0L & 5.7L Engs.:	
	Seal .....	4912		Bearing (Pulley) .....	VKM900022
	(Speedi-Sleeve) .....	99050	<b>Timing Cover</b>		
	(Speedi-Sleeve/Seal Kit) .....	480050	1995-1990	305 (5.0L) & 350 (5.7L) Engs.:	
<b>Air Conditioning Clutch</b>				Seal .....	17286
1995-1961	All:			(Speedi-Sleeve) .....	99176
	Bearing .....	5908-VAW		(Speedi-Sleeve/Seal Kit) .....	480177
<b>Air Conditioning Compressor</b>			1990-1986	307 (5.0L) Eng.:	
1988-1977	Radial Comp.:			Seal .....	19887
	Bearing .....	B128		(Speedi-Sleeve) .....	99199
<b>Alternator</b>			1985-1982	250 (4.1L) Eng.:	
1990-1989	120 Amp.:			Seal .....	19762
	Bearing (Front) .....	6203-2RSJ		(Speedi-Sleeve) .....	99199
	Bearing (Rear) .....	6000-2RSJ	1984-1976	350 (5.7L) Gas & Diesel Engs.:	
1988-1986	94 Amp.:			Seal .....	19887
	Bearing (Front) .....	6203-2RSJ		(Speedi-Sleeve) .....	99199
	Bearing (Rear) .....	MNJ471-S	1984-1968	w/o 252 (4.1L) & 350 (5.7L) Engs.:	
1985-1972	All:			Seal .....	21110
	Bearing (Front) .....	6203-ZJ		(Speedi-Sleeve) .....	99212
	Bearing (Rear) .....	MNJ471-S	1982-1980	252 (4.1L) Eng.:	
1978-1971	Comm. Chas. w/145 Amp.:			Seal Kit .....	144
	Bearing (Front) .....	6305-2RSJ	1967-1963	All:	
1971	42 & 63 Amp.:			Seal .....	19832
	Bearing (Front) .....	6203-RSJ		(Speedi-Sleeve) .....	99199
	Bearing (Rear) .....	MNJ471-S	1962-1956	From Eng. No. 103792:	
1970-1967	130 Amp.:			Seal .....	16084
	Bearing (Front) .....	6205-RSJ		(Speedi-Sleeve) .....	99162
	Bearing (Rear) .....	6203-RSJ	<b>Generator</b>		
1970-1963	w/o 130 Amp.:		1962-1958	All:	
	Bearing (Front) .....	6203-RSJ		Bearing (Front) .....	6203-RSJ
	Bearing (Rear) .....	MNJ471-S		Bearing (Rear) .....	6203-RSJ
<b>Drive Shaft</b>			1957-1946	All:	
1975-1959	All:			Bearing (Front) .....	6203-RSJ
	Bearing Only .....	6908-VAL	<b>Steering-Power</b>		
1956-1946	All:		<b>Pitman Shaft</b>		
	Bearing Only .....	BR88107	1995-1957	All:	
				Seal (Inner) .....	12371
				Seal (Outer) .....	12355
				Seal Kit .....	12392
			1955-1953	From Strg. Gear No. 3152:	
				Seal .....	11065
			1953-1950	Thru Strg. Gear No. 3151:	
				Seal .....	11055

(Continued)

## Passenger cars, light & medium trucks

### Cadillac (RWD) Calais, Commercial Chassis, DeVille (thru 1984), Fleetwood (thru 1984), Fleetwood Brougham, Limousine, Seville (thru 1979) -- (Cont.)

MFG./YEAR	MODEL & LOCATION	PART NO.	MFG./YEAR	MODEL & LOCATION	PART NO.
<b>Steering-Power (Cont.)</b>			<b>Steering-Power (Cont.)</b>		
<b>Pitman Shaft (Cont.)</b>			<b>Worm Shaft</b>		
1949-1946	Exc. Comm. Chas. & Limo.:		1995-1979	All:	
	Seal .....	11055		Seal .....	7905
<b>Pump Shaft</b>			1975-1959	All:	
1995-1967	All:			Seal .....	8660
	Seal .....	7475	1958-1956	All:	
1966-1963	All:			Seal .....	8648
	Seal .....	6765	1955-1952	All:	
1962-1958	Comm. Chas.:			Seal (Outer) .....	8660
	Seal .....	7475			

### Checker Motors Corp.

#### Wheel Front

1982-1970	Exc. AeroBus:	
	Seal .....	19984
	Bearing (Inner) .....	BR5
	(Set Components) .....	LM48548/LM48510
	Bearing (Outer) .....	BR3
	(Set Components) .....	M12649/M12610
1975-1969	AeroBus:	
	Seal .....	18050
	Bearing (Inner) .....	BR5
	(Set Components) .....	LM48548/LM48510
	Bearing (Outer) .....	BR3
	(Set Components) .....	M12649/M12610
1969	Exc. AeroBus:	
	Seal .....	19770
	Bearing (Inner) .....	BR5
	(Set Components) .....	LM48548/LM48510
	Bearing (Outer) .....	BR2
	(Set Components) .....	LM11949/LM11910
1968-1959	Exc. AeroBus:	
	Seal .....	16667
	Bearing (Inner) .....	BR6
	(Set Components) .....	LM67048/LM67010
	Bearing (Outer) .....	BR2
	(Set Components) .....	LM11949/LM11910
1965-1959	AeroBus:	
	Bearing (Inner) .....	BR5
	(Set Components) .....	LM48548/LM48510
	Bearing (Outer) .....	BR3
	(Set Components) .....	M12649/M12610
1958-1955	All:	
	Seal .....	17359
	Bearing (Inner) .....	BR15123/BR15245
	Bearing (Outer) .....	BR09067/BR09195

#### Wheel Rear

1982-1971	Exc. AeroBus:	
	Seal (Inner) .....	15142
	Seal (Outer) .....	18731
	Bearing (Outer) .....	BR10
1975-1969	AeroBus:	
	Seal (Inner) .....	15142
	Seal (Outer) .....	18545
	Bearing (Outer) .....	BR7
	(Set Components) .....	M201047-S/M201011

#### Wheel Rear (Cont.)

1970-1962	Exc. AeroBus:	
	Seal (Inner) .....	13862
	Seal (Outer) .....	13568
	Bearing (Inner) .....	BR25877/BR25821
1965-1962	AeroBus:	
	Bearing .....	2788-A/2735-X
1961-1959	AeroBus:	
	Bearing .....	BR25877/BR25821
<b>Pinion</b>		
1982-1955	Exc. AeroBus:	
	Seal .....	15788
	(Speedi-Sleeve) .....	99155
	Bearing (Front) .....	BR02872/BR02820
	Bearing (Rear) .....	BR31594/BR31520
1977-1965	AeroBus:	
	Seal .....	15788
	(Speedi-Sleeve) .....	99155
	Bearing (Front) .....	HM88542/HM88510
	Bearing (Rear) .....	HM803146/HM803110
1964-1962	AeroBus:	
	Seal .....	15788
	(Speedi-Sleeve) .....	99155
	Bearing (Front) .....	BR52
	(Set Components) .....	M88048/M88010
	Bearing (Rear) .....	HM89446/HM89410

#### Differential

1982-1955	Exc. AeroBus:	
	Bearing .....	BR25590/BR25523
1977-1965	AeroBus:	
	Bearing .....	387-A/382-S
1964-1962	AeroBus:	
	Bearing .....	BR25590/BR25520

#### Clutch

##### Pilot

1965-1955	All:	
	Bearing .....	6204-2ZJ

##### Release

1977-1965	All:	
	Bearing Only .....	N1085
	Bearing Assembly .....	N1086-SA
		(Continued)

MFG./YEAR	MODEL & LOCATION	PART NO.	MFG./YEAR	MODEL & LOCATION	PART NO.
<b>Transmission-Automatic</b>			<b>Transmission-Manual (Cont.)</b>		
<b>Front Pump</b>			<b>Shift Shaft</b>		
1982-1974 From Ser. 40000:			1970-1955 Exc. Airport Limo:		
Seal		18671	Seal		6130
(Speedi-Sleeve)		99187	(Speedi-Sleeve)		99062
1970-1956 Exc. '58-55 A8:			<b>Alternator</b>		
Seal		19240	1975-1965 55 Amp.:		
(Speedi-Sleeve)		99193	Bearing (Front)		6203-2RSJ
1958-1955 A8:			1964-1963 All:		
Seal		21098	Bearing (Front)		6203-J
(Speedi-Sleeve)		99212	1964-1963 60 Amp.:		
<b>Rear</b>			Bearing (Rear)		6203-J
1982-1974 From Ser. 40000:			<b>Drive Shaft</b>		
Seal		18992	1977-1963 AeroBus:		
1971 All:			Bearing Only		BR88107
Seal		15620	Bearing & Support		HB88107-A
(Speedi-Sleeve)		99156	<b>Engine</b>		
1970-1959 All:			<b>Crankshaft-Rear</b>		
Seal		15620	1982-1981 350 Diesel Eng.:		
(Speedi-Sleeve)		99156	Seal Kit		191
Bearing		6307-NRJ	1982-1979 250 Eng.:		
1958-1955 All:			Seal Kit		199
Seal		15620	1968-1964 283 & 327 Eng.:		
(Speedi-Sleeve)		99156	Seal Kit		187
<b>Shift Shaft</b>			1964-1963 318 Chrysler Eng.:		
1982-1974 From Ser. 40000:			Seal Kit		212
Seal		4912	<b>Timing Cover</b>		
(Speedi-Sleeve)		99050	1982-1981 350 Diesel Eng.:		
(Speedi-Sleeve/Seal Kit)		480050	Seal		19887
1970-1959 All:			(Speedi-Sleeve)		99199
Seal		7556	1982-1964 6 & 8 Cyl. Exc. Continental & Diesel Eng.:		
(Speedi-Sleeve)		99076	Seal		17286
<b>Transmission-Manual</b>			(Speedi-Sleeve)		99176
<b>Front</b>			(Speedi-Sleeve/Seal Kit)		480177
1970-1965 Pass. Car:			1964-1955 Continental Eng.:		
Bearing		207-NRJ	Seal		20702
1970-1959 Taxi Cab:			(Speedi-Sleeve)		99205
Bearing		207-NRJ	<b>Generator</b>		
1964-1959 Pass. Car:			1964-1959 H.D. & Pwr. Strg.:		
Bearing		6207-NJ	Bearing (Front)		6204-J
1958-1955 All:			Bearing (Rear)		6303-J
Bearing		6207-NJ	1964-1955 Exc. '64-59 w/H.D. & Pwr. Strg.:		
<b>Mainshaft Pilot</b>			Bearing (Front)		6203-J
1971-1965 From Ser. 80000:			<b>Steering-Power</b>		
Bearing		[14] C407-Q	<b>Pump Shaft</b>		
<b>Rear</b>			1969-1955 All:		
1970-1959 Pass. Car:			Seal		7440
Seal		15620	<b>Steering-Standard</b>		
(Speedi-Sleeve)		99156	<b>Pitman Shaft</b>		
Bearing		6207-J	1969-1955 A8 Hsg.:		
1970-1959 Taxi Cab:			Seal		12334
Seal		15620	1969-1955 A9 & A10 Hsg.:		
(Speedi-Sleeve)		99156	Seal		9837
Bearing		207-J	1969-1955 A12 Hsg.:		
1958-1955 All:			Seal		11067
Seal		15620			
(Speedi-Sleeve)		99156			

**Chevrolet (FWD) Beretta, Cadet, Cavalier, Classic, Corsica**

MFG./YEAR	MODEL & LOCATION	PART NO.	MFG./YEAR	MODEL & LOCATION	PART NO.
<b>Wheel Front</b>			<b>Transaxle-Manual</b>		
<b>1995-1985 All:</b>			<b>Clutch Fork</b>		
	Seal .....	18765	<b>1995-1987 All:</b>		
	Hub Assembly (Kit) .....	BR930028K		Seal .....	6720
<b>1984</b>	<b>2nd Design w/12mm Hole in Mtg. Flg.:</b>		<b>1984-1982 4 &amp; 5 Spd. Trans.:</b>		
	Seal .....	18765		Seal .....	6720
	Hub Assembly (Kit) .....	BR930028K	<b>Differential</b>		
<b>1984-1982</b>	<b>1st Design w/10mm Hole in Mtg. Flg.:</b>		<b>1995-1982 5 Spd. Isuzu Trans.:</b>		
	Seal .....	18765		Bearing .....	32008-X
	Hub Assembly (Kit) .....	BR930034K	<b>1994-1982 4 Spd. &amp; 5 Spd. Muncie Trans.:</b>		
<b>Wheel Rear</b>				Bearing .....	BR11
<b>1995-1992 All:</b>				(Set Components) .....	JL69349/JL69310
	Hub Assembly .....	BR930070	<b>Input Shaft</b>		
<b>1991</b>	<b>w/o Sport Suspension:</b>		<b>1995 5 Spd. Isuzu Trans.:</b>		
	Hub Assembly .....	BR930093		Seal .....	10937
<b>1991</b>	<b>w/Sport Suspension:</b>			(Speedi-Sleeve) .....	99111
	Hub Assembly .....	BR930070		Bearing (Rear) .....	6306-2RSNR
<b>1990-1982 All:</b>			<b>1994-1992 w/o 5 Spd. Isuzu Trans.:</b>		
	Hub Assembly .....	BR930093		Bearing .....	6305-2RSJ
<b>Clutch</b>			<b>1994-1983 5 Spd. Isuzu Trans.:</b>		
<b>Release</b>				Seal .....	10937
<b>1995</b>	<b>5 Spd. Isuzu Trans.:</b>			(Speedi-Sleeve) .....	99111
	Bearing Assembly .....	N4906		Bearing (Rear) .....	BR30306
<b>1994-1993</b>	<b>5 Spd. Muncie Trans.:</b>		<b>1987-1982 4 Spd. Trans.:</b>		
	Bearing Assembly .....	N4905		Seal .....	10583
<b>1994-1983</b>	<b>5 Spd. Isuzu Trans.:</b>			(Spe edi-Sleeve) .....	99106
	Bearing Assembly .....	N4042		Bearing .....	BR4
<b>1992-1987</b>	<b>5 Spd. Muncie Trans.:</b>			(Set Components) .....	L44649/L44610
	Bearing Assembly .....	N4005-SA	<b>Intermediate Shaft</b>		
<b>1987-1982</b>	<b>4 Spd. Trans.:</b>		<b>1989-1987 5 Spd. Muncie Trans.:</b>		
	Bearing Assembly .....	N3015		Seal .....	14021
	(Self-Aligning) .....	N3015-SA	<b>Output Shaft</b>		
<b>Transaxle-Automatic</b>			<b>1995-1983 5 Spd. Isuzu Trans.:</b>		
<b>Front Pump</b>				Seal .....	13750
<b>1995-1982 All:</b>				(Speedi-Sleeve) .....	99138
	Seal .....	17849		Bearing (Rear) .....	BR32206
<b>Output Shaft</b>			<b>1994-1992 w/o 5 Spd. Isuzu Trans.:</b>		
<b>1995</b>	<b>4T40E Trans.:</b>			Seal .....	13750
	Seal .....	16122		(Speedi-Sleeve) .....	99138
<b>1995</b>	<b>3T40 Trans.:</b>			Bearing (Rear) .....	5206A2RSNR
	Seal .....	13750	<b>1991-1987 5 Spd. Muncie Trans.:</b>		
	(Speedi-Sleeve) .....	99138		Seal .....	13750
<b>1995-1994</b>	<b>4T60E Trans.:</b>			(Speedi-Sleeve) .....	99138
	Seal (L.H.) .....	13959	<b>1987-1982 4 Spd. Trans.:</b>		
	(Speedi-Sleeve) (L.H.) .....	99139		Seal .....	13750
	Seal (R.H.) .....	13750		(Speedi-Sleeve) .....	99138
	(Speedi-Sleeve) (R.H.) .....	99138		Bearing (Front) .....	BR5
<b>1995-1982</b>	<b>THM125 Trans.:</b>			(Set Components) .....	LM48548/LM48510
	Seal .....	13750		Bearing (Rear) .....	BR15101/BR15245
	(Speedi-Sleeve) .....	99138	<b>Shift Shaft</b>		
<b>Shift Shaft</b>			<b>1995 5 Spd. Isuzu Trans.:</b>		
<b>1995-1984 All:</b>				Seal .....	6408
	Seal .....	4912		(Speedi-Sleeve) .....	99058
	(Speedi-Sleeve) .....	99050	<b>1994-1992 5 Spd. Muncie Trans.:</b>		
	(Speedi-Sleeve/Seal Kit) .....	480050		Seal .....	5806
<b>1983-1982 All:</b>				(Speedi-Sleeve) .....	99059
	Seal .....	3683	<b>1988-1983 5 Spd. Trans.:</b>		
				Seal .....	6408
				(Speedi-Sleeve) .....	99058
					(Continued)

## Passenger cars, light & medium trucks

### (Cont.) -- Chevrolet (FWD) Beretta, Cadet, Cavalier, Classic, Corsica

MFG./YEAR	MODEL & LOCATION	PART NO.	MFG./YEAR	MODEL & LOCATION	PART NO.
<b>Transaxle-Manual (Cont.)</b>			<b>Engine (Cont.)</b>		
<b>Shift Shaft (Cont.)</b>			<b>Timing Cover (Cont.)</b>		
1987-1982	4 Spd. Trans.:		1995-1990	140 (2.3L) & 146 (2.4L) Engs.:	
	Seal .....	5606		Seal .....	19887
	(Speedi-Sleeve) .....	99056		(Speedi-Sleeve) .....	99199
<b>Air Conditioning Clutch</b>			1995-1987 4 Cyl. Eng. Exc. 140 (2.3L) & 146 (2.4L) Engs.:		
1995-1982	All:			Seal .....	17286
	Bearing .....	5908-VAW		(Speedi-Sleeve) .....	99176
<b>Air Conditioning Compressor</b>			(Speedi-Sleeve/Seal Kit) .....		
1984-1982	Radial Comp.:		1986-1985	4 Cyl. Eng.:	480177
	Bearing .....	B128		Seal .....	17286
<b>Alternator</b>			(Speedi-Sleeve) .....		
1987-1983	All:			(Speedi-Sleeve/Seal Kit) .....	480177
	Bearing (Front) .....	6203-2RSJ	1984-1982	4 Cyl. Eng.:	
	Bearing (Rear) .....	MNJ471-S		Seal .....	17286
1982	All:			(Speedi-Sleeve) .....	99176
	Bearing (Front) .....	6203-ZJ		(Speedi-Sleeve/Seal Kit) .....	480177
	Bearing (Rear) .....	MNJ471-S	<b>Steering-Power</b>		
<b>Engine</b>			<b>Pump Shaft</b>		
<b>Crankshaft-Rear</b>			1995-1992 134 (2.2L) & 189 (3.1L) Engs.:		
1995-1990	134 (2.2L) & 189 (3.1L) Engs.:			Seal .....	7475
	Seal .....	29862	1991-1988	2nd Design:	
	(Speedi-Sleeve) .....	99298		Seal .....	7475
1995-1991	140 (2.3L) Eng.:		1984-1982	All:	
	Seal .....	32283		Seal .....	7475
1984-1982	4 Cyl. 2nd Design Eng. w/11mm Thick Seal:		<b>Worm Shaft</b>		
	Seal .....	29862	1984-1982	w/o H.D. Suspension:	
	(Speedi-Sleeve) .....	99298		Seal .....	9705
<b>Timing Cover</b>					
1995-1987	6 Cyl. Eng.:				
	Seal .....	17286			
	(Speedi-Sleeve) .....	99176			
	(Speedi-Sleeve/Seal Kit) .....	480177			

### Chevrolet (FWD) Celebrity, Citation, Lumina, Monte Carlo (from 1995)

#### Wheel Front

1995-1990	Lumina:	
	Hub Assembly (Kit) .....	BR930083K
1995	Monte Carlo:	
	Hub Assembly (Kit) .....	BR930083K
1990-1983	Celebrity w/10.25" Brk. Rotor:	
	Seal .....	24097
	Hub Assembly (Kit) .....	BR930022K
1989-1982	Celebrity w/9.75" Brk. Rotor:	
	Seal .....	18697
	Hub Assembly (Kit) .....	BR930091K
1985-1980	Citation:	
	Seal .....	18697
	Hub Assembly (Kit) .....	BR930091K

#### Wheel Rear

1995-1990	Lumina & Monte Carlo w/o ABS:	
	Hub Assembly .....	BR930026
1995-1992	Lumina & Monte Carlo w/ABS:	
	Hub Assembly .....	BR930096
1990-1985	Celebrity w/JA2 & JA8 Brks.:	
	Hub Assembly .....	BR930026

#### Wheel Rear (Cont.)

1989-1985	Celebrity w/JA1 Brks.:	
	Hub Assembly .....	BR930016
1985-1980	Citation:	
	Hub Assembly .....	BR930093
1984-1983	Celebrity w/JA2 & JA3 Brks.:	
	Hub Assembly .....	BR930026
1984-1982	Celebrity w/JA1 & JA8 Brks.:	
	Hub Assembly .....	BR930016

#### Clutch

##### Release

1988-1987	Muncie 5 Spd. Trans.:	
	Bearing Assembly .....	N4005-SA
1986-1980	All:	
	Bearing Assembly .....	N3015
	(Self-Aligning) .....	N3015-SA

(Continued)

**Chevrolet (FWD) Celebrity, Citation, Lumina, Monte Carlo (from 1995)**  
**-- (Cont.)**

MFG./YEAR	MODEL & LOCATION	PART NO.	MFG./YEAR	MODEL & LOCATION	PART NO.
<b>Transaxle-Automatic</b>			<b>Air Conditioning Clutch</b>		
<b>Front Pump</b>			1995-1980 All:		
1995-1982	All:		Bearing		5908-VAW
	Seal	17849	<b>Air Conditioning Compressor</b>		
<b>Output Shaft</b>			1985-1980 Radial Comp.:		
1995-1984	THM440 & 4T60E Trans.:		Bearing		B128
	Seal (L.H.)	13959	<b>Alternator</b>		
	(Speedi-Sleeve) (L.H.)	99139	1986-1983 All:		
	Seal (R.H.)	13750	Bearing (Front)		6203-2RSJ
	(Speedi-Sleeve) (R.H.)	99138	Bearing (Rear)		MNJ471-S
1993-1982	THM125 Trans.:		1982-1980 All:		
	Seal	13750	Bearing (Front)		6203-ZJ
	(Speedi-Sleeve)	99138	Bearing (Rear)		MNJ471-S
1981-1980	THM125 Trans. w/o GM Hsg. Repair Kit:		<b>Engine</b>		
	Seal	13750	<b>Camshaft</b>		
	(Speedi-Sleeve)	99138	1995 3.4L Eng.:		
<b>Shift Shaft</b>			Seal		16511
1995-1984	All:		(Speedi-Sleeve)		99169
	Seal	4912	<b>Crankshaft-Rear</b>		
	(Speedi-Sleeve)	99050	1995-1985 173 W (2.8L) 2nd Design, 189 (3.1L) & 207		
	(Speedi-Sleeve/Seal Kit)	480050	(3.4L) Eng.:		
1983-1980	THM125 Trans.:		Seal		29862
	Seal	3683	(Speedi-Sleeve)		99298
<b>Transaxle-Manual</b>			1992-1980	151 (2.5L) Eng.:	
<b>Clutch Fork</b>			Seal		29987
1988-1980	All:		1985-1982	260 (4.3L) Diesel Eng.:	
	Seal	6720	Seal Kit		191
<b>Differential</b>			<b>Timing Belt Idler</b>		
1988-1980	All:		1995 Monte Carlo Z34:		
	Bearing	BR11	Bearing & Housing Assy.		
	(Set Components)	JL69349/JL69310	VKM55005		
<b>Input Shaft</b>			<b>Timing Belt Tensioner</b>		
1986-1980	4 Spd. Trans.:		1995 Lumina w/3.4L Eng.:		
	Seal	10583	Bearing & Housing Assy.		
	(Speedi-Sleeve)	99106	VKM55004		
	Bearing	BR4	1995 Monte Carlo w/3.4L Eng.:		
	(Set Components)	L44649/L44610	Bearing & Housing Assy.		
<b>Intermediate Shaft</b>			VKM55004		
1993-1991	Lumina:		<b>Timing Cover</b>		
	Seal (Outer)	14021	1995-1980 151 (2.5L), 173 (2.8L), 189 (3.1L) & 207		
<b>Output Shaft</b>			(3.4L) Eng.:		
1988-1987	Muncie 5 Spd. Trans.:		Seal		17286
	Seal	13750	(Speedi-Sleeve)		99176
	(Speedi-Sleeve)	99138	(Speedi-Sleeve/Seal Kit)		480177
1986-1980	4 Spd. Trans.:		1985-1982	260 (4.3L) Diesel Eng.:	
	Seal	13750	Seal		19887
	(Speedi-Sleeve)	99138	(Speedi-Sleeve)		99198
	Bearing (Front)	BR5	<b>Steering-Power</b>		
	(Set Components)	LM48548/LM48510	<b>Pump Shaft</b>		
	Bearing (Rear)	BR15101/BR15245	1995-1991 Lumina & Monte Carlo:		
<b>Shift Shaft</b>			Seal		7475
1988-1987	5 Spd. Trans.:		1990-1988	6 Cyl. Eng.:	
	Seal	5806	Seal		7475
	(Speedi-Sleeve)	99059	1986-1980	w/o 260 (4.3L) Diesel Eng.:	
1986-1980	4 Spd. Trans.:		Seal		7475
	Seal	5606	<b>Worm Shaft</b>		
	(Speedi-Sleeve)	99056	1988-1987 w/o H.D. Suspension:		
			Seal		9705

# Passenger cars, light & medium trucks

## Chevrolet (FWD) Nova (1988-85)

MFG./YEAR	MODEL & LOCATION	PART NO.	MFG./YEAR	MODEL & LOCATION	PART NO.
<b>Wheel Front</b>			<b>Air Conditioning Clutch</b>		
1988-1985 All:			1988-1986 All:		
	Seal (Inner)	22033		Bearing	AC2
	Seal (Outer)	20455	<b>Engine</b>		
	Seal Kit	22075	<b>Camshaft</b>		
	Bearing	FW114	1988-1985 98 (1.6L) Eng.:		
<b>Wheel Rear</b>				Seal	13857
1988 DOHC Eng.:				(Speedi-Sleeve)	99139
	Seal	16036	<b>Crankshaft-Rear</b>		
	(Superseded by):	16446	1988-1985 98 (1.6L) Eng.:		
	Bearing	GRW141		Seal	27750
1988-1985 w/o DOHC Eng.:				(Speedi-Sleeve)	99276
	Seal	16034	<b>Timing Belt and Tensioner Kit</b>		
	Bearing	GRW141	1988-1985 98 (1.6L) Eng.:		
<b>Clutch</b>				Belt & Tensioner Kit	VKMA91202
<b>Release</b>			<b>Timing Cover</b>		
1988-1985 w/o DOHC Eng.:			1988-1985 98 (1.6L) Eng.:		
	Bearing Assembly	N4024		Seal	12718
<b>Transaxle-Automatic</b>				(Speedi-Sleeve)	99128
<b>Front Pump</b>			<b>Steering-Power</b>		
1988-1985 All:			<b>Pump Shaft</b>		
	Seal	14720	1988-1985 All:		
	(Speedi-Sleeve)	99147		Seal	7006
<b>Output Shaft</b>			<b>Worm Shaft</b>		
1988 4 Spd. Trans.:			1988-1985 All:		
	Seal (L.H.)	13478		Seal	7251
	Seal (R.H.)	13439	<b>Steering-Standard</b>		
1988-1985 3 Spd. Trans.:			<b>Worm Shaft</b>		
	Seal	13439	1988-1985 All:		
<b>Shift Shaft</b>				Seal	5808
1988-1985 All:					
	Seal	4707			
	(Speedi-Sleeve)	99049			
<b>Transaxle-Manual</b>					
<b>Input Shaft</b>					
1988-1985 All:					
	Seal	9715			
	(Speedi-Sleeve)	99098			
<b>Shift Shaft</b>					
1988-1985 All:					
	Seal	7002			
	(Speedi-Sleeve)	99082			

## Chevrolet (FWD) Spectrum, Sprint

<b>Wheel Front</b>			<b>Wheel Front (Cont.)</b>		
1988-1987 Spectrum w/Turbo & H.D. Handling:			1988-1985 Sprint w/o Turbo:		
	Seal (Inner)	19604		Seal	17147
	Seal (Outer)	16522		Bearing	[4] 6007-RSJ
	Sealed Bearing	FW162	<b>Wheel Rear</b>		
1988-1987 Spectrum w/o Turbo & H.D. Handling:			1988-1985 Spectrum:		
	Seal (Inner)	19604		Seal	14705
	Seal (Outer)	16522		Bearing (Inner)	BR4
	Sealed Bearing	B35		(Set Components)	L44649/L44610
1988-1987 Sprint w/Turbo:				Bearing (Outer)	BR1
	Seal (Inner)	20906		(Set Components)	LM11749/LM11710
	Bearing	FW22			(Continued)

**Chevrolet (FWD) Spectrum, Sprint -- (Cont.)**

MFG./YEAR	MODEL & LOCATION	PART NO.	MFG./YEAR	MODEL & LOCATION	PART NO.
<b>Wheel Rear (Cont.)</b>			<b>Transaxle-Manual (Cont.)</b>		
1988-1985 Sprint:			<b>Output Shaft</b>		
	Bearing (Inner)	6205-RSJ	1988-1985 Spectrum:		
	Bearing (Outer)	6204-RSJ	Seal		13750
<b>Clutch</b>			(Speedi-Sleeve)		99138
<b>Pilot</b>			Bearing (Inner)		BR32206
1988-1985 Sprint:			1988-1985 Sprint:		
	Bearing	6200-2RSJ	Seal		13969
<b>Release</b>			(Speedi-Sleeve)		99139
1988-1985 Spectrum:			<b>Shift Shaft</b>		
	Bearing Assembly	N4042	1988-1985 Spectrum:		
1988-1985 Sprint:			Seal		6408
	Bearing Assembly	N4031	(Speedi-Sleeve)		99058
<b>Transaxle-Automatic</b>			<b>Alternator</b>		
<b>Front Pump</b>			1987-1985 Sprint:		
1988-1985 Spectrum:			Bearing (Front)		6202-2RSJ
	Seal	17753	<b>Engine</b>		
	(Speedi-Sleeve)	99177	<b>Camshaft</b>		
1988-1985 Sprint:			1988-1985 Spectrum w/92 (1.5L) Eng.:		
	Seal	14720	Seal		15800
	(Speedi-Sleeve)	99147	(Speedi-Sleeve)		99157
<b>Output Shaft</b>			1988-1985 Sprint w/61 (1.0L) Eng.:		
1988-1985 Spectrum:			Seal		12724
	Seal	13750	(Speedi-Sleeve)		99128
	(Speedi-Sleeve)	99138	<b>Crankshaft-Rear</b>		
1988-1985 Sprint:			1988-1985 92 (1.5L) Eng.:		
	Seal	13963	Seal		34120
	(Speedi-Sleeve)	99139	1988-1985 61 (1.0L) Eng.:		
<b>Shift Shaft</b>			Seal		26748
1988-1985 Sprint:			<b>Timing Cover</b>		
	Seal	5413	1988-1985 92 (1.5L) Eng.:		
	(Speedi-Sleeve)	99055	Seal		12706
<b>Transaxle-Manual</b>			(Speedi-Sleeve)		99128
<b>Clutch Fork</b>			1988-1985 61 (1.0L) Eng.:		
1988-1985 Spectrum:			Seal		12724
	Seal	6720	(Speedi-Sleeve)		99128
<b>Differential</b>			<b>Steering-Standard</b>		
1988-1985 Spectrum:			<b>Worm Shaft</b>		
	Bearing	32008-X	1988-1985 Spectrum:		
1988-1985 Sprint:			Seal		6641
	Bearing	6207-ZJ	1988-1985 Sprint:		
<b>Input Shaft</b>			Seal		5804
1988-1985 Spectrum:					
	Seal	10937			
	(Speedi-Sleeve)	99111			
	Bearing (Inner)	BR30306			
1988-1985 Sprint:					
	Seal	7915			
	(Speedi-Sleeve)	99078			



## Passenger cars, light & medium trucks

# Chevrolet (RWD) (Full Size), Bel Air, Biscayne, Brookwood, Caprice, Delray, Deluxe, Fleetmaster, Impala (thru 1995), Kingswood, One-Fifty, Parkwood, Special, Townsman, Two-Ten

MFG./YEAR	MODEL & LOCATION	PART NO.	MFG./YEAR	MODEL & LOCATION	PART NO.
<b>Wheel Front</b>			<b>Wheel Front (Cont.)</b>		
<b>1995-1991 All:</b>			<b>1957-1956 All:</b>		
	Seal .....	19784		Seal .....	18603
	Bearing (Inner) .....	BR6		Bearing (Inner) .....	B40
	(Set Components) .....	LM67048/LM67010		Bearing (Outer) .....	B01
	Bearing (Outer) .....	BR3	<b>1955 All:</b>	Seal .....	18603
	(Set Components) .....	M12649/M12610		Bearing (Inner) .....	B40
				Bearing (Outer) .....	B41
<b>1990-1979 All:</b>			<b>1954-1941 All:</b>		
	Seal .....	19984		Seal .....	18772
	Bearing (Inner) .....	BR6		Bearing (Inner) .....	B52
	(Set Components) .....	LM67048/LM67010		Bearing (Outer) .....	B01
	Bearing (Outer) .....	BR3	<b>Wheel Rear</b>		
	(Set Components) .....	M12649/M12610	<b>1995-1987 Caprice Wgn. w/o 3.23 Rr. Axle Ratio:</b>		
<b>1978-1977 11" Rotor:</b>				Seal .....	↯16044
	Seal .....	19984		(Superseded by:)	16404
	Bearing (Inner) .....	BR6		Bearing .....	R1559-TV
	(Set Components) .....	LM67048/LM67010		(Axle Repair Brg. Assy.) .....	• R1559
	Bearing (Outer) .....	BR2	<b>1995-1982 Caprice &amp; Impala w/o Wgn.:</b>		
	(Set Components) .....	LM11949/LM11910		Seal .....	13992
<b>1978-1977 12" Rotor:</b>				Bearing .....	R1563-TAV
	Seal .....	19984		(Axle Repair Brg. Assy.) .....	• R1563
	Bearing (Inner) .....	BR6	<b>1987 Caprice Wgn. w/3.23 Rr. Axle Ratio:</b>		
	(Set Components) .....	LM67048/LM67010		Seal .....	13992
	Bearing (Outer) .....	BR3		Bearing .....	R1563-TAV
	(Set Components) .....	M12649/M12610		(Axle Repair Brg. Assy.) .....	• R1563
<b>1976-1971 All:</b>			<b>1986-1982 Caprice &amp; Impala Wgn.:</b>		
	Seal .....	19984		Seal .....	↯16044
	Bearing (Inner) .....	BR5		(Superseded by:)	16404
	(Set Components) .....	LM48548/LM48510		Bearing .....	R1559-TV
	Bearing (Outer) .....	BR3		(Axle Repair Brg. Assy.) .....	• R1559
	(Set Components) .....	M12649/M12610	<b>1981-1977 7.50" &amp; 8.50" Ring Gears w/Type C, G &amp; K Axles:</b>		
<b>1970-1969 All:</b>				Seal .....	13992
	Seal .....	19768		Bearing .....	R1563-TAV
	Bearing (Inner) .....	BR5		(Axle Repair Brg. Assy.) .....	• R1563
	(Set Components) .....	LM48548/LM48510	<b>1981-1977 8.875" Ring Gear w/9.5" X 2" Brks.:</b>		
	Bearing (Outer) .....	BR3		Seal .....	13992
	(Set Components) .....	M12649/M12610		Bearing .....	R1563-TAV
<b>1968 w/o Pwr. Disc Brks.:</b>				(Axle Repair Brg. Assy.) .....	• R1563
	Seal .....	19768	<b>1981-1976 8.875" Ring Gear w/o 9.5" X 2" Brks.:</b>		
	Bearing (Inner) .....	BR6		Seal .....	↯16044
	(Set Components) .....	LM67048/LM67010		(Superseded by:)	16404
	Bearing (Outer) .....	BR2		Bearing .....	R1559-TV
	(Set Components) .....	LM11949/LM11910		(Axle Repair Brg. Assy.) .....	• R1559
<b>1968 Pwr. Disc Brks.:</b>			<b>1979-1977 8.50" Ring Gear B &amp; O Axles:</b>		
	Seal .....	18543		Seal .....	16735
	Bearing (Inner) .....	BR6		Bearing .....	BR9
	(Set Components) .....	LM67048/LM67010	<b>1976-1971 8.50" Ring Gear B &amp; O Axles:</b>		
	Bearing (Outer) .....	BR2		Seal .....	18710
	(Set Components) .....	LM11949/LM11910		Bearing .....	BR10
<b>1967-1961 w/o Disc Brks.:</b>			<b>1975-1966 w/o B &amp; O Axles:</b>		
	Seal .....	18543		Seal .....	↯16044
	Bearing (Inner) .....	BR6		(Superseded by:)	16404
	(Set Components) .....	LM67048/LM67010		Bearing .....	R1559-TV
	Bearing (Outer) .....	BR2		(Axle Repair Brg. Assy.) .....	• R1559
	(Set Components) .....	LM11949/LM11910	<b>(Continued)</b>		
<b>1960-1958 All:</b>					
	Seal .....	18640			
	Bearing (Inner) .....	B70			
	Bearing (Outer) .....	B67			

## Passenger cars, light & medium trucks

### Chevrolet (RWD) (Full Size), Bel Air, Biscayne, Brookwood, Caprice, Delray, Deluxe, Fleetmaster, Impala (thru 1995), Kingswood, One-Fifty, Parkwood, Special, Townsman, Two-Ten -- (Cont.)

MFG./YEAR	MODEL & LOCATION	PART NO.	MFG./YEAR	MODEL & LOCATION	PART NO.
<b>Wheel Rear (Cont.)</b>			<b>Pinion (Cont.)</b>		
1965	10 Bolt Cvr.:		1981-1977	7.50" Ring Gear w/3.0" O.D. Rr. Brg.:	
	Seal .....	13992		Seal .....	15315
	Bearing .....	R1563-TAV		(Speedi-Sleeve) .....	99152
	(Axle Repair Brg. Assy.) .....	• R1563		Bearing (Front) .....	M86649/M86610
1965	12 Bolt Cvr.:			Bearing (Rear) .....	HM89449/HM89410
	Seal .....	16044	1976-1971	8.875" Ring Gear w/M & P Axles:	
	(Superseded by:)	16404		Seal .....	19273
	Bearing .....	R1559-TV		(Speedi-Sleeve) .....	99193
	(Axle Repair Brg. Assy.) .....	• R1559		Bearing (Front) .....	BR52
1964-1960	Exc. Police & Taxi:			(Set Components) .....	M88048/M88010
	Seal .....	19012		Bearing (Rear) .....	M804049/M804010
	Bearing w/Lock Ring .....	RW607-BR	1970-1965	10 Bolt Cvr.:	
1964-1958	Police & Taxi:			Seal .....	15315
	Seal .....	18536		(Speedi-Sleeve) .....	99152
	Bearing w/Lock Ring .....	RW607-BR		Bearing (Front) .....	M86649/M86610
1959-1958	Exc. Police & Taxi:			Bearing (Rear) .....	HM89449/HM89410
	Seal .....	19011	1970-1965	12 Bolt Cvr.:	
	Bearing w/Lock Ring .....	RW607-BR		Seal .....	17190
1957	All:			(Speedi-Sleeve) .....	99170
	Seal .....	19011		Bearing (Front) .....	BR52
	Bearing w/Lock Ring .....	RW307-R		(Set Components) .....	M88048/M88010
1956-1955	All:			Bearing (Rear) .....	M802048/M802011
	Seal .....	18550	1964-1955	All:	
	Bearing w/Lock Ring .....	RW507-ER		Seal .....	17727
1954-1946	All:			(Speedi-Sleeve) .....	99170
	Seal .....	15557		Bearing (Front) .....	HM88547/HM88510
	Bearing .....	R1500-EL		Bearing (Rear) .....	HM89449/HM89410
<b>Pinion</b>			1954-1951	All:	
1995-1994	7.625" Ring Gear:			Bearing (Front) .....	5306-E
	Seal .....	15315	1950-1938	All:	
	(Speedi-Sleeve) .....	99152		Seal .....	10632
	Bearing (Front) .....	M86649/M86610		(Speedi-Sleeve) .....	99106
	Bearing (Rear) .....	HM89249/HM89210		Bearing (Front) .....	5306-E
1995-1991	8.50" Ring Gear:		<b>Differential</b>		
	Seal .....	19273	1995-1976	7.50", 7.625" & 8.50" Ring Gears:	
	(Speedi-Sleeve) .....	99193		Bearing .....	BR72
	Bearing (Front) .....	M86649/M86610		(Set Components) .....	LM501349/LM501314
	Bearing (Rear) .....	M802048/M802011	1983-1971	8.75" & 8.875" Ring Gears Type M & P Axles:	
1993-1980	7.50" Ring Gear w/3.125" O.D. Rr. Brg.:			Bearing .....	BR36
	Seal .....	15315		(Set Components) .....	LM603049/LM603012
	(Speedi-Sleeve) .....	99152	1970-1965	10 Bolt Cvr.:	
	Bearing (Front) .....	M86649/M86610		Bearing .....	BR72
	Bearing (Rear) .....	HM89249/HM89210		(Set Components) .....	LM501349/LM501314
1990-1971	8.50" Ring Gear w/B, C, G, K & O Axles:		1970-1965	12 Bolt Cvr.:	
	Seal .....	19273		Bearing .....	BR36
	(Speedi-Sleeve) .....	99193		(Set Components) .....	LM603049/LM603012
	Bearing (Front) .....	BR52	1964-1957	All:	
	(Set Components) .....	M88048/M88010		Bearing .....	LM603049/LM603014
	Bearing (Rear) .....	M802048/M802011	1956-1955	All:	
1983-1977	8.875" Ring Gear:			Bearing .....	KC11445-Y
	Seal .....	19273		(Set Components) .....	BR17887/BR17831
	(Speedi-Sleeve) .....	99193	<b>Kit</b>		
	Bearing (Front) .....	BR52	1995-1994	7.50" Ring Gear:	
	(Set Components) .....	M88048/M88010		Standard Seal and Bearing Kit Rear .....	SDK320
	Bearing (Rear) .....	M802048/M802011		Master Seal and Bearing Kit Rear .....	SDK320-MK
			1985-1982	7.50" Ring Gear:	
				Standard Seal and Bearing Kit Rear .....	SDK320
				Master Seal and Bearing Kit Rear .....	SDK320-MK
					(Continued)

# Passenger cars, light & medium trucks

(Cont.) -- Chevrolet (RWD) (Full Size), Bel Air, Biscayne, Brookwood, Caprice, Delray, Deluxe, Fleetmaster, Impala (thru 1995), Kingswood, One-Fifty, Parkwood, Special, Townsman, Two-Ten

MFG./YEAR	MODEL & LOCATION	PART NO.	MFG./YEAR	MODEL & LOCATION	PART NO.
<b>Clutch</b>			<b>Transmission-Automatic (Cont.)</b>		
<b>Pilot</b>			<b>Front Pump (Cont.)</b>		
1975-1962 All:			1961-1957 Turboglide Trans.:		
	Bearing (Bushing) .....	B656		Seal .....	19274
	(Heavy Duty) .....	B657		(Speedi-Sleeve) .....	99193
<b>Release</b>			1952-1950 All:		
1975-1970 350 & 454 Engs.:				Seal .....	21172
	Bearing Assembly .....	N1488		(Speedi-Sleeve) .....	99212
1973 250 Eng.:			<b>Rear</b>		
	Bearing Only .....	N1085	1995-1976 w/o THM400 Trans.:		
	Bearing Assembly .....	N1086-SA		Seal .....	15041
1972-1971 Police & Taxi w/6 Cyl. Eng.:				(Speedi-Sleeve) .....	99149
	Bearing Assembly .....	N1488		(Speedi-Sleeve/Seal Kit) .....	480150
1972-1970 6 Cyl. Eng. Exc. Police & Taxi:			1977-1967 THM375 & THM400 Trans.:		
	Bearing Only .....	N1085		Seal .....	18992
	Bearing Assembly .....	N1086-SA	1975-1969 THM350 Trans.:		
1969-1965 327, 396, 409 & 427 Engs.:				Seal .....	15041
	Bearing Assembly .....	N1488		(Speedi-Sleeve) .....	99149
1968-1965 283 & 307 Engs.:				(Speedi-Sleeve/Seal Kit) .....	480150
	Bearing Only .....	N1085	1972-1950 Powerglide, Torque Drive & Turboglide Trans.:		
	Bearing Assembly .....	N1086-SA		Seal .....	15041
1964-1961 327 & 409 Engs.:				(Speedi-Sleeve) .....	99149
	Bearing Assembly .....	N1488		(Speedi-Sleeve/Seal Kit) .....	480150
1963-1959 w/o 327 & 409 Engs.:			1966-1965 THM375 & THM400 Trans.:		
	Bearing Only .....	N1085		Seal .....	16871
	Bearing Assembly .....	N1086-SA		(Speedi-Sleeve) .....	99168
1958 w/o 348 Eng.:			<b>Shift Shaft</b>		
	Bearing Only .....	N1085	1995-1976 All:		
	Bearing Assembly .....	N1086-SA		Seal .....	4912
1958 348 Eng.:				(Speedi-Sleeve) .....	99050
	Bearing Assembly .....	N1488		(Speedi-Sleeve/Seal Kit) .....	480050
1957-1955 w/o Coil Spring Clutch:			1975-1965 THM400 Trans.:		
	Bearing Only .....	N1085		Seal .....	4911
	Bearing Assembly .....	N1086-SA		(Speedi-Sleeve) .....	99050
1957-1955 Coil Spring Clutch:			1975-1965 w/o THM400 Trans.:		
	Bearing Assembly .....	N1488		Seal .....	4912
1954-1938 All:				(Speedi-Sleeve) .....	99050
	Bearing Only .....	N1085		(Speedi-Sleeve/Seal Kit) .....	480050
	Bearing Assembly .....	N1086-SA	<b>Transmission-Manual</b>		
<b>Transmission-Automatic</b>			<b>Countershaft</b>		
<b>Front Pump</b>			1973-1946 3 Spd. Trans. Exc. H.D. Trans.:		
1995-1982 THM700 & 4L60E Trans.:				Bearing .....	[50] C407-Q
	Seal Kit .....	17459	1969-1965 4 Spd. Trans.:		
	(Speedi-Sleeve) .....	99174		Bearing .....	[50] C407-Q
1990-1976 THM200 Trans.:			<b>Front</b>		
	Seal .....	17458	1974-1966 4 Spd. Exc. Saginaw Trans.:		
	(Speedi-Sleeve) .....	99174		Seal .....	12363
1984-1976 THM250, THM350, THM375 & THM400 Trans.:				(Speedi-Sleeve) .....	99125
	Seal .....	18692		Bearing .....	307-VSP82
	(Speedi-Sleeve) .....	99187	1973-1972 3 Spd. Trans.:		
	(Speedi-Sleeve/Seal Kit) .....	480187		Seal .....	12363
1975-1965 THM Trans.:				(Speedi-Sleeve) .....	99125
	Seal .....	18692		Bearing .....	6207-ZNRJ
	(Speedi-Sleeve) .....	99187	1971-1969 3 Spd. Trans. w/o O/D Exc. Police & Taxi:		
	(Speedi-Sleeve/Seal Kit) .....	480187		Seal .....	12363
1972-1953 Powerglide & Torque Drive Trans.:				(Speedi-Sleeve) .....	99125
	Seal .....	18692		Bearing .....	6207-ZNRJ
	(Speedi-Sleeve) .....	99187			(Continued)
	(Speedi-Sleeve/Seal Kit) .....	480187			

## Passenger cars, light & medium trucks

### Chevrolet (RWD) (Full Size), Bel Air, Biscayne, Brookwood, Caprice, Delray, Deluxe, Fleetmaster, Impala (thru 1995), Kingswood, One-Fifty, Parkwood, Special, Townsman, Two-Ten -- (Cont.)

MFG./YEAR	MODEL & LOCATION	PART NO.	MFG./YEAR	MODEL & LOCATION	PART NO.
<b>Transmission-Manual (Cont.)</b>			<b>Transmission-Manual (Cont.)</b>		
<b>Front (Cont.)</b>			<b>Rear (Cont.)</b>		
1970-1969	3 Spd. Muncie H.D. Trans.:		1973	3 Spd. Trans.:	
	Seal .....	12363		Seal .....	15041
	(Speedi-Sleeve) .....	99125		(Speedi-Sleeve) .....	99149
	Bearing .....	■ 6307-NJ		(Speedi-Sleeve/Seal Kit) .....	480150
1970-1966	4 Spd. Saginaw Trans.:			Seal Kit .....	15054
	Seal .....	12363	1972-1970	3 Spd. w/o Muncie H.D. Trans.:	
	(Speedi-Sleeve) .....	99125		Seal .....	15041
1969-1968	Police & Taxi w/3 Spd. Trans.:			(Speedi-Sleeve) .....	99149
	Seal .....	12363		(Speedi-Sleeve/Seal Kit) .....	480150
	(Speedi-Sleeve) .....	99125		Seal Kit .....	15054
1968-1965	3 Spd. H.D. Warner Trans.:		1970	3 Spd. Muncie H.D. Trans.:	
	Seal .....	12363		Seal .....	15041
	(Speedi-Sleeve) .....	99125		(Speedi-Sleeve) .....	99149
	Bearing .....	307-NRJ		(Speedi-Sleeve/Seal Kit) .....	480150
1967-1966	3 Spd. Trans. w/327 Eng.:			Seal Kit .....	15054
	Seal .....	12363		Bearing .....	■ 6307-NJ
	(Speedi-Sleeve) .....	99125	1969-1967	3 Spd. Trans. w/o 327 Eng.:	
	Bearing .....	207-ZNRJ		Seal .....	15041
1966	3 Spd. Trans. w/o O/D & 327 Eng.:			(Speedi-Sleeve) .....	99149
	Seal .....	12363		(Speedi-Sleeve/Seal Kit) .....	480150
	(Speedi-Sleeve) .....	99125		Seal Kit .....	15054
	Bearing .....	■ 6207-ZNJ	1969-1966	4 Spd. Saginaw Trans.:	
1965	3 Spd. Trans. w/327 & 409 Eng.:			Seal .....	15041
	Bearing .....	307-ZNRJ		(Speedi-Sleeve) .....	99149
1965-1964	4 Spd. Trans.:			(Speedi-Sleeve/Seal Kit) .....	480150
	Bearing .....	307-VSP82		Seal Kit .....	15054
1965-1958	3 Spd. Trans. w/ O/D & 6 Cyl. Eng.; Taxi w/8 Cyl. Eng.:		1968-1966	3 Spd. Trans. w/327 Eng.:	
	Bearing .....	207-ZNRJ		Seal .....	15041
1962-1957	4 Spd. Trans.:			(Speedi-Sleeve) .....	99149
	Bearing .....	6307-NRJ		(Speedi-Sleeve/Seal Kit) .....	480150
1960-1954	3 Spd. H.D. Trans.:			Seal Kit .....	15054
	Bearing .....	6307-NRJ	1966	3 Spd. Trans. w/o 327 Eng.:	
<b>Mainshaft Pilot</b>				Seal .....	15041
1969-1963	4 Spd. Muncie Trans.:			(Speedi-Sleeve) .....	99149
	Bearing .....	JV44-1419		(Speedi-Sleeve/Seal Kit) .....	480150
1965-1963	3 Spd. Trans.:			Seal Kit .....	15054
	Bearing (Front) .....	[14] C1110-Q		Bearing .....	6306-ZNRJ
1962-1946	3 Spd. Trans.:		1965	3 Spd. Trans. w/6 Cyl. Eng. Exc. 230 Eng.:	
	Bearing (Front) .....	[14] C1110-Q		Seal .....	15041
1960-1957	3 Spd. Trans.:			(Speedi-Sleeve) .....	99149
	Bearing .....	[18] W1518-Q		(Speedi-Sleeve/Seal Kit) .....	480150
1956-1954	3 & 4 Spd. Trans.:			Seal Kit .....	15054
	Bearing .....	[18] W1518-Q		Bearing .....	6306-ZNRJ
<b>Output Shaft</b>			1965	3 Spd. Trans. w/230 Eng. Exc. Police & Taxi:	
1969-1955	O/D Trans.:			Seal .....	15041
	Bearing .....	6206-NRJ		(Speedi-Sleeve) .....	99149
<b>Rear</b>				(Speedi-Sleeve/Seal Kit) .....	480150
1974-1966	4 Spd. Exc. Saginaw Trans.:			Seal Kit .....	15054
	Seal .....	15041		Bearing .....	■ 6306-NJ
	(Speedi-Sleeve) .....	99149	1965	3 Spd. Trans. w/8 Cyl. Eng.:	
	(Speedi-Sleeve/Seal Kit) .....	480150		Seal .....	15041
	Seal Kit .....	15054		(Speedi-Sleeve) .....	99149
	Bearing .....	■ 6308-NJ		(Speedi-Sleeve/Seal Kit) .....	480150
				Seal Kit .....	15054

(Continued)

# Passenger cars, light & medium trucks

(Cont.) -- Chevrolet (RWD) (Full Size), Bel Air, Biscayne, Brookwood, Caprice, Delray, Deluxe, Fleetmaster, Impala (thru 1995), Kingswood, One-Fifty, Parkwood, Special, Townsman, Two-Ten

MFG./YEAR	MODEL & LOCATION	PART NO.	MFG./YEAR	MODEL & LOCATION	PART NO.
<b>Transmission-Manual (Cont.)</b>			<b>Air Conditioning Compressor</b>		
<b>Rear (Cont.)</b>			1991-1975 Radial Comp.:		
1965-1963 4 Spd. Muncie Trans.:			Bearing ..... B128		
Seal ..... 15041			<b>Alternator</b>		
(Speedi-Sleeve) ..... 99149			1995-1993 140 Amp.:		
(Speedi-Sleeve/Seal Kit) ..... 480150			Bearing (Rear) ..... DB65093		
Seal Kit ..... 15054			1993-1991 124 Amp.:		
Bearing ..... ■ 6308-NJ			Bearing (Rear) ..... 6000-2RSJ		
1964-1958 3 Spd. Trans. w/6 Cyl. Eng.:			1991 120 Amp.:		
Seal ..... 15041			Bearing (Front) ..... 6203-2RSJ		
(Speedi-Sleeve) ..... 99149			Bearing (Rear) ..... 6000-2RSJ		
(Speedi-Sleeve/Seal Kit) ..... 480150			1988-1983 All:		
Seal Kit ..... 15054			Bearing (Front) ..... 6203-2RSJ		
Bearing ..... ■ 6306-NJ			Bearing (Rear) ..... MNJ471-S		
1964-1958 3 Spd. Trans. w/8 Cyl. Eng.:			1982-1972 All:		
Seal ..... 15041			Bearing (Front) ..... 6203-ZJ		
(Speedi-Sleeve) ..... 99149			Bearing (Rear) ..... MNJ471-S		
(Speedi-Sleeve/Seal Kit) ..... 480150			1971-1970 All:		
Seal Kit ..... 15054			Bearing (Front) ..... 6203-RSJ		
1963-1957 4 Spd. Warner Trans.:			Bearing (Rear) ..... MNJ471-S		
Seal ..... 15041			1969-1962 w/o 62 Amp.:		
(Speedi-Sleeve) ..... 99149			Bearing (Front) ..... 6203-RSJ		
(Speedi-Sleeve/Seal Kit) ..... 480150			Bearing (Rear) ..... MNJ471-S		
Seal Kit ..... 15054			1969-1962 62 Amp.:		
1960-1955 3 Spd. H.D. Trans.:			Bearing ..... [2] 6203-RSJ		
Seal ..... 15041			<b>Drive Shaft</b>		
(Speedi-Sleeve) ..... 99149			1964-1958 All:		
(Speedi-Sleeve/Seal Kit) ..... 480150			Bearing Only ..... 6206-2RSJ		
Seal Kit ..... 15054			Bearing & Support ..... HB206-FF		
Bearing ..... 6306-ZNRJ			1950-1946 All:		
1957-1956 3 Spd. Trans. w/o H.D. Trans.:			Seal ..... 10632		
Seal ..... 15041			(Speedi-Sleeve) ..... 99106		
(Speedi-Sleeve) ..... 99149			<b>Engine</b>		
(Speedi-Sleeve/Seal Kit) ..... 480150			<b>Crankshaft-Rear</b>		
Seal Kit ..... 15054			1995-1991 All:		
Bearing ..... 6305-NRJ			Seal (Viton) ..... 37026		
1955 3 Spd. Trans. w/o H.D. Trans.:			(Speedi-Sleeve) (Viton) ..... 99369		
Seal ..... 15041			Seal ..... 37027		
(Speedi-Sleeve) ..... 99149			(Speedi-Sleeve) ..... 99364		
(Speedi-Sleeve/Seal Kit) ..... 480150			1990-1986 265 (4.3L) & 305 (5.0L) Eng.:		
Seal Kit ..... 15054			Seal (Viton) ..... 37026		
Bearing ..... ■ 6306-NJ			(Speedi-Sleeve) (Viton) ..... 99369		
<b>Shift Shaft</b>			Seal ..... 37027		
1974-1970 3 Spd. & 4 Spd. Trans.:			(Speedi-Sleeve) ..... 99364		
Seal ..... 7410			1989-1986 307 (5.0L) Eng.:		
(Speedi-Sleeve) ..... 99076			Seal Kit ..... 191		
(Speedi-Sleeve/Seal Kit) ..... 480074			1985-1980 231 (3.8L) Eng.:		
1969-1958 O/D Trans.:			Seal Kit ..... 191		
Seal ..... 6130			1985-1980 350 (5.7L) Diesel Eng.:		
(Speedi-Sleeve) ..... 99062			Seal Kit ..... 191		
<b>Solenoid</b>			1985-1976 265 (4.3L), 267 (4.4L), 305 (5.0L), 350L (5.7L) & 400 (6.6L) Eng.:		
1969-1958 O/D Trans.:			Seal Kit ..... 199		
Seal ..... 3050			1984-1980 229 (3.8L) Eng.:		
<b>Air Conditioning Clutch</b>			Seal Kit ..... 199		
1995-1962 All:			1979-1968 230 & 250 Eng.:		
Bearing ..... 5908-VAW			Seal Kit ..... 199		
			1976-1958 348, 396, 402, 409, 427 & 454 Eng.:		
			Seal Kit ..... 216		
			(Continued)		

**Chevrolet (RWD) (Full Size), Bel Air, Biscayne, Brookwood, Caprice, Delray, Deluxe, Fleetmaster, Impala (thru 1995), Kingswood, One-Fifty, Parkwood, Special, Townsman, Two-Ten -- (Cont.)**

MFG./YEAR	MODEL & LOCATION	PART NO.	MFG./YEAR	MODEL & LOCATION	PART NO.
<b>Engine (Cont.)</b>			<b>Steering-Power (Cont.)</b>		
<b>Crankshaft-Rear (Cont.)</b>			<b>Housing</b>		
1967-1959	w/o 348, 396, 402, 409, 427 & 454 Engs.:		1979-1964	All:	
	Seal Kit .....	199		Bearing .....	B148
<b>Timing Cover</b>			<b>Pitman Shaft</b>		
1995-1991	All:		1990-1964	All:	
	Seal .....	17286		Seal (Inner) .....	12371
	(Speedi-Sleeve) .....	99176		Seal (Outer) .....	12355
	(Speedi-Sleeve/Seal Kit) .....	480177		Seal Kit .....	12392
1990-1986	307 (5.0L) Eng.:		<b>Pump Shaft</b>		
	Seal .....	19887	1995-1967	All:	
	(Speedi-Sleeve) .....	99199		Seal .....	7475
1990-1976	229 (3.8L), 250, 265 (4.3L), 267 (4.4L), 305 (5.0L), 350L (5.7L) & 400 (6.6L) Engs.:		1966-1960	All:	
	Seal .....	17286		Seal .....	6765
	(Speedi-Sleeve) .....	99176	1959-1955	All:	
	(Speedi-Sleeve/Seal Kit) .....	480177		Seal .....	5046
1985-1980	231 (3.8L) Eng.:		1954-1953	All:	
	Seal Kit .....	144		Seal .....	9664
1985-1980	350 (5.7L) Diesel Eng.:		<b>Valve Cover</b>		
	Seal .....	19887	1954-1953	All:	
	(Speedi-Sleeve) .....	99199		Seal .....	8660
1976-1965	396, 402, 427 & 454 Engs.:		<b>Worm Shaft</b>		
	Seal .....	23300	1988-1980	All:	
	(Speedi-Sleeve) .....	99233		Seal .....	7905
	(Speedi-Sleeve/Seal Kit) .....	480233	1979-1964	All:	
1975-1938	w/o 396, 402, 427 & 454 Engs.:			Seal .....	8660
	Seal .....	17286	<b>Steering-Standard</b>		
	(Speedi-Sleeve) .....	99176	<b>Pitman Shaft</b>		
	(Speedi-Sleeve/Seal Kit) .....	480177	1975-1965	All:	
<b>Generator</b>				Seal .....	11055
1962-1956	Pwr. Strg. w/o H.D.:		1964-1946	All:	
	Bearing (Rear) .....	6203-RSJ		Seal .....	11067
1962-1946	w/o H.D.:		<b>Worm Shaft</b>		
	Bearing (Front) .....	6203-J	1975-1955	All:	
<b>Steering-Power</b>				Seal .....	7481
<b>Adapter Piston</b>					
1954-1953	All:				
	Seal .....	6229			

**Chevrolet (RWD) Acadian, Chevy II, Nova (thru 1979)**

<b>Wheel Front</b>		<b>Wheel Front (Cont.)</b>	
1979	All:	1974-1964	All:
	Seal .....		Seal .....
	Bearing (Inner) .....		Bearing (Inner) .....
	(Set Components) .....		(Set Components) .....
	Bearing (Outer) .....		Bearing (Outer) .....
	(Set Components) .....		(Set Components) .....
1978-1975	All:	1963-1962	All:
	Seal .....		Seal .....
	Bearing (Inner) .....		Bearing (Inner) .....
	(Set Components) .....		(Set Components) .....
	Bearing (Outer) .....		Bearing (Outer) .....
	(Set Components) .....		(Set Components) .....

(Continued)

# Passenger cars, light & medium trucks

## (Cont.) -- Chevrolet (RWD) Acadian, Chevy II, Nova (thru 1979)

MFG./YEAR	MODEL & LOCATION	PART NO.	MFG./YEAR	MODEL & LOCATION	PART NO.
<b>Wheel Rear</b>			<b>Clutch (Cont.)</b>		
<b>1979-1964 All:</b>			<b>Release</b>		
	Seal .....	13992	<b>1979-1976 3 Spd. Trans.:</b>		
	Bearing .....	R1563-TAV		Bearing Only .....	N1085
	(Axle Repair Brg. Assy.) .....	• R1563		Bearing Assembly .....	N1086-SA
<b>1963-1962 All:</b>			<b>1978-1976 4 Spd. Trans.:</b>		
	Seal .....	12590		Bearing Assembly .....	N1488
	Bearing w/Lock Ring .....	RW506-AR	<b>1975-1973 262 &amp; 350 Eng.:</b>		
<b>Pinion</b>			<b>1975-1973 250 &amp; 307 Eng.:</b>		
<b>1979-1977 8.50" Ring Gear:</b>				Bearing Only .....	N1085
	Seal .....	19273		Bearing Assembly .....	N1086-SA
	(Speedi-Sleeve) .....	99193	<b>1972-1964 w/o 4 Spd. Trans. &amp; 4 Bbl. Carb.:</b>		
	Bearing (Front) .....	BR52		Bearing Only .....	N1085
	(Set Components) .....	M88048/M88010		Bearing Assembly .....	N1086-SA
	Bearing (Rear) .....	M802048/M802011	<b>1972-1964 4 Spd. Trans. &amp; 4 Bbl. Carb. 2nd Design:</b>		
<b>1979-1976 7.50" Ring Gear:</b>				Bearing Assembly .....	N1488
	Seal .....	15315	<b>1963-1962 All:</b>		
	(Speedi-Sleeve) .....	99152		Bearing Only .....	N1085
	Bearing (Front) .....	M86649/M86610		Bearing Assembly .....	N1086-SA
	Bearing (Rear) .....	HM89449/HM89410	<b>Transmission-Automatic</b>		
<b>1975-1973 All:</b>			<b>Front Pump</b>		
	Seal .....	19273	<b>1979-1976 THM350 &amp; THM375 Trans.:</b>		
	(Speedi-Sleeve) .....	99193		Seal .....	18692
	Bearing (Front) .....	BR52		(Speedi-Sleeve) .....	99187
	(Set Components) .....	M88048/M88010		(Speedi-Sleeve/Seal Kit) .....	480187
	Bearing (Rear) .....	M802048/M802011	<b>1977-1976 THM200 Trans.:</b>		
<b>1972-1965 12 Bolt Cvr.:</b>				Seal .....	17458
	Seal .....	17190		(Speedi-Sleeve) .....	99174
	(Speedi-Sleeve) .....	99170	<b>1975-1967 THM250, THM350, THM375 &amp; THM400 Trans.:</b>		
	Bearing (Front) .....	BR52		Seal .....	18692
	(Set Components) .....	M88048/M88010		(Speedi-Sleeve) .....	99187
	Bearing (Rear) .....	M802048/M802011		(Speedi-Sleeve/Seal Kit) .....	480187
<b>1972-1964 10 Bolt Cvr. w/o 8.50" Ring Gear:</b>			<b>1973-1969 Powerglide &amp; Torque Drive Trans.:</b>		
	Seal .....	15315		Seal .....	18692
	(Speedi-Sleeve) .....	99152		(Speedi-Sleeve) .....	99187
	Bearing (Front) .....	M86649/M86610		(Speedi-Sleeve/Seal Kit) .....	480187
	Bearing (Rear) .....	HM89449/HM89410	<b>1968-1962 Powerglide &amp; Torque Drive Trans.:</b>		
<b>1963-1962 All:</b>				Seal .....	18671
	Bearing (Front) .....	M86649/M86610		(Speedi-Sleeve) .....	99187
	Bearing (Rear) .....	HM88649/HM88610	<b>Rear</b>		
<b>Differential</b>			<b>1979-1962 w/o THM400 Trans.:</b>		
<b>1979-1973 All:</b>				Seal .....	15041
	Bearing .....	BR72		(Speedi-Sleeve) .....	99149
	(Set Components) .....	LM501349/LM501314		(Speedi-Sleeve/Seal Kit) .....	480150
<b>1972-1965 12 Bolt Cvr.:</b>			<b>1975-1967 THM400 Trans.:</b>		
	Bearing .....	BR36		Seal .....	18992
	(Set Components) .....	LM603049/LM603012	<b>Shift Shaft</b>		
<b>1972-1964 10 Bolt Cvr.:</b>			<b>1979-1962 w/o THM400 Trans.:</b>		
	Bearing .....	BR72		Seal .....	4912
	(Set Components) .....	LM501349/LM501314		(Speedi-Sleeve) .....	99050
<b>1963-1962 All:</b>				(Speedi-Sleeve/Seal Kit) .....	480050
	Bearing .....	BR35	<b>1975-1967 THM400 Trans.:</b>		
	(Set Components) .....	LM501349/LM501310		Seal .....	4911
<b>Clutch</b>				(Speedi-Sleeve) .....	99050
<b>Pilot</b>				(Speedi-Sleeve/Seal Kit) .....	480050
<b>1979-1962 All:</b>				Seal .....	4911
	Bearing (Bushing) .....	B656		(Speedi-Sleeve) .....	99050
	(Heavy Duty) .....	B657		(Speedi-Sleeve/Seal Kit) .....	480050
					(Continued)

## Passenger cars, light & medium trucks

### Chevrolet (RWD) Acadian, Chevy II, Nova (thru 1979) -- (Cont.)

MFG./YEAR	MODEL & LOCATION	PART NO.	MFG./YEAR	MODEL & LOCATION	PART NO.
<b>Transmission-Manual</b>			<b>Transmission-Manual (Cont.)</b>		
<b>Countershaft</b>			<b>Rear (Cont.)</b>		
1979-1965	4 Spd. Trans.:		1979-1969	3 Spd. w/o Muncie H.D. Trans.:	
	Bearing .....	[50] C407-Q		Seal .....	15041
1979-1962	3 Spd. Trans.:			(Speedi-Sleeve) .....	99149
	Bearing .....	[50] C407-Q		(Speedi-Sleeve/Seal Kit) .....	480150
<b>Front</b>				Seal Kit .....	15054
1979-1975	4 Spd. Saginaw Trans.:		1975-1974	4 Spd. Warner Trans.:	
	Seal .....	12363		Seal .....	18658
	(Speedi-Sleeve) .....	99125		(Speedi-Sleeve) .....	99187
1979-1971	3 Spd. Saginaw Trans.:			Bearing .....	307-NRJ
	Seal .....	12363	1974-1971	4 Spd. Muncie Trans.:	
	(Speedi-Sleeve) .....	99125		Seal .....	18992
	Bearing .....	6207-ZNRJ		Seal & Bushing Kit .....	18998
1975-1966	4 Spd. Trans. w/327 & 350 Eng. Exc. Hi-Perf.:			Bearing .....	■ 6308-NJ
	Seal .....	12363	1971-1969	3 Spd. H.D. Muncie Trans.:	
	(Speedi-Sleeve) .....	99125		Seal .....	15041
1973-1966	4 Spd. Muncie Trans.:			(Speedi-Sleeve) .....	99149
	Seal .....	12363		(Speedi-Sleeve/Seal Kit) .....	480150
	(Speedi-Sleeve) .....	99125		Seal Kit .....	15054
	Bearing .....	307-VSP82		Bearing .....	■ 6307-NJ
1971-1969	3 Spd. H.D. Muncie Trans.:		1970-1968	4 Spd. Saginaw Trans.:	
	Seal .....	12363		Seal .....	15041
	(Speedi-Sleeve) .....	99125		(Speedi-Sleeve) .....	99149
	Bearing .....	■ 6307-NJ		(Speedi-Sleeve/Seal Kit) .....	480150
1970-1966	4 Spd. Saginaw Trans. Exc. Hi-Perf.:			Seal Kit .....	15054
	Seal .....	12363	1970-1966	4 Spd. Muncie Trans.:	
	(Speedi-Sleeve) .....	99125		Seal .....	15041
	Bearing .....	6207-ZNRJ		(Speedi-Sleeve) .....	99149
1970-1965	3 Spd. Trans. w/o 327 & 350 Eng.:			(Speedi-Sleeve/Seal Kit) .....	480150
	Seal .....	12363		Seal Kit .....	15054
	(Speedi-Sleeve) .....	99125		Bearing .....	■ 6308-NJ
	Bearing .....	6207-ZNRJ	1968-1965	3 Spd. Trans.:	
1969-1965	3 Spd. Trans. w/327 & 350 Eng.:			Seal .....	15041
	Seal .....	12363		(Speedi-Sleeve) .....	99149
	(Speedi-Sleeve) .....	99125		(Speedi-Sleeve/Seal Kit) .....	480150
	Bearing .....	6207-ZNRJ		Seal Kit .....	15054
1969-1965	3 Spd. Warner Trans.:		1967-1966	4 Spd. Saginaw Trans. w/327 Eng.:	
	Seal .....	12363		Seal .....	15041
	(Speedi-Sleeve) .....	99125		(Speedi-Sleeve) .....	99149
	Bearing .....	307-NRJ		(Speedi-Sleeve/Seal Kit) .....	480150
1965	4 Spd. Trans.:			Seal Kit .....	15054
	Seal .....	12363	1966	4 Spd. Saginaw Trans. w/283 Eng.:	
	(Speedi-Sleeve) .....	99125		Seal .....	15041
	Bearing .....	307-VSP82		(Speedi-Sleeve) .....	99149
1964	4 Spd. Trans.:			(Speedi-Sleeve/Seal Kit) .....	480150
	Bearing .....	307-VSP82		Seal Kit .....	15054
1963-1962	3 Spd. Trans. Canada:		1965-1964	4 Spd. Trans.:	
	Bearing .....	207-NRJ		Seal .....	15041
<b>Mainshaft Pilot</b>				(Speedi-Sleeve) .....	99149
1974-1964	4 Spd. Exc. Saginaw Trans.:			(Speedi-Sleeve/Seal Kit) .....	480150
	Bearing .....	JV44-1419		Seal Kit .....	15054
1965-1962	3 Spd. Trans.:		1964-1962	3 Spd. Trans. w/153 & 194 Eng.:	
	Bearing (Front) .....	[14] C1110-Q		Seal .....	15041
<b>Rear</b>				(Speedi-Sleeve) .....	99149
1979-1971	4 Spd. Saginaw Trans.:			(Speedi-Sleeve/Seal Kit) .....	480150
	Seal .....	15041		Seal Kit .....	15054
	(Speedi-Sleeve) .....	99149		Bearing .....	■ 6306-NJ
	(Speedi-Sleeve/Seal Kit) .....	480150	1964-1962	3 Spd. Trans. w/o 153 & 194 Eng.:	
	Seal Kit .....	15054		Seal .....	15041
				(Speedi-Sleeve) .....	99149
				(Speedi-Sleeve/Seal Kit) .....	480150
				Seal Kit .....	15054

(Continued)



# Passenger cars, light & medium trucks

## (Cont.) -- Chevrolet (RWD) Acadian, Chevy II, Nova (thru 1979)

MFG./YEAR	MODEL & LOCATION	PART NO.	MFG./YEAR	MODEL & LOCATION	PART NO.
<b>Transmission-Manual (Cont.)</b>			<b>Steering-Power</b>		
<b>Shift Shaft</b>			<b>Housing</b>		
1979-1964 All:			1979-1968 All:		
	Seal .....	7410		Bearing .....	B148
	(Speedi-Sleeve) .....	99076	<b>Pitman Shaft</b>		
	(Speedi-Sleeve/Seal Kit) .....	480074	1979-1968 All:		
<b>Air Conditioning Clutch</b>			Seal (Inner) .....		
1979-1962 All:			Seal (Outer) .....		
	Bearing .....	5908-VAW	Seal Kit .....		
<b>Air Conditioning Compressor</b>			12371		
1979-1975 RadialComp.:			12355		
	Bearing .....	B128	12392		
<b>Alternator</b>			<b>Pump Shaft</b>		
1979-1972 All:			1979-1968 All:		
	Bearing (Front) .....	6203-ZJ	Seal .....		
	Bearing (Rear) .....	MNJ471-S	7475		
1971-1962 w/o 62 Amp.:			<b>Worm Shaft</b>		
	Bearing (Front) .....	6203-RSJ	1979-1968 All:		
	Bearing (Rear) .....	MNJ471-S	Seal .....		
1969-1962 62 Amp.:			8660		
	Bearing .....	[2] 6203-RSJ	<b>Steering-Standard</b>		
<b>Engine</b>			<b>Pitman Shaft</b>		
<b>Crankshaft-Rear</b>			1979-1962 All:		
1979-1968 4 & 6 Cyl. Engs.:			Seal .....		
	Seal Kit .....	199	7481		
1979-1962 8 Cyl. Exc. 396 & 454 Engs.:			1968-1962 All:		
	Seal Kit .....	199	Seal .....		
1970-1968 396 & 454 Engs.:			7415		
	Seal Kit .....	216			
<b>Timing Cover</b>					
1979-1962 w/o 231, 396 & 454 Engs.:					
	Seal .....	17286			
	(Speedi-Sleeve) .....	99176			
	(Speedi-Sleeve/Seal Kit) .....	480177			
1970-1968 396 & 454 Engs.:					
	Seal .....	23300			
	(Speedi-Sleeve) .....	99233			
	(Speedi-Sleeve/Seal Kit) .....	480233			

## Chevrolet (RWD) Acadian, Beaumont, Berlinetta, Camaro, Chevelle, Concours, El Camino, Greenbrier, Laguna, Malibu (thru 1983), Monte Carlo (thru 1988), Nomad, Z28

<b>Wheel Front</b>			<b>Wheel Front (Cont.)</b>		
1995-1993 All:			1988 El Camino & Monte Carlo:		
	Hub Assembly .....	BR930186		Seal .....	19984
1992-1991 Z28 Camaro:				Bearing (Inner) .....	BR6
	Seal .....	19984		(Set Components) .....	LM67048/LM67010
	Bearing (Inner) .....	BR6		Bearing (Outer) .....	BR34
	(Set Components) .....	LM67048/LM67010		(Set Components) .....	LM12748/LM12710
	Bearing (Outer) .....	BR3	<b>1987-1982 All:</b>		
	(Set Components) .....	M12649/M12610		Seal .....	19984
1992-1988 Camaro Exc. Z28:				Bearing (Inner) .....	BR6
	Seal .....	19984		(Set Components) .....	LM67048/LM67010
	Bearing (Inner) .....	BR6		Bearing (Outer) .....	BR34
	(Set Components) .....	LM67048/LM67010		(Set Components) .....	LM12748/LM12710
	Bearing (Outer) .....	BR34	(Continued)		
	(Set Components) .....	LM12748/LM12710			

**Chevrolet (RWD) Acadian Beaumont, Berlinetta, Camaro, Chevelle, Concours, El Camino, Greenbrier, Laguna, Malibu (thru 1983), Monte Carlo (thru 1988), Nomad, Z28 -- (Cont.)**

MFG./YEAR	MODEL & LOCATION	PART NO.	MFG./YEAR	MODEL & LOCATION	PART NO.
<b>Wheel Front (Cont.)</b>			<b>Wheel Rear (Cont.)</b>		
1981-1979	All:		1970	Monte Carlo w/Cut Out Cvr.:	
	Seal	19984		Seal	16747
	Bearing (Inner)	BR6		Bearing	BR9
	(Set Components)	LM67048/LM67010		<b>Axle Shaft</b>	
	Bearing (Outer)	BR3	1995-1993	All:	
	(Set Components)	M12649/M12610		Seal	13992
1978-1973	All:		<b>Pinion</b>		
	Seal	19984	1995-1982	1st Design:	
	Bearing (Inner)	BR6		Seal	15315
	(Set Components)	LM67048/LM67010		(Speedi-Sleeve)	99152
	Bearing (Outer)	BR2		Bearing (Front)	M86649/M86610
	(Set Components)	LM11949/LM11910		Bearing (Rear)	HM89249/HM89210
1972-1970	Exc. Camaro:		1990-1987	7.75" Ring Gear:	
	Seal	17187		Seal	16545
	Bearing (Inner)	BR6		Bearing (Front)	M86649/M86610
	(Set Components)	LM67048/LM67010		Bearing (Rear)	HM89446/HM89410
	Bearing (Outer)	BR2	1981-1978	7.50" Ring Gear w/3.0" O.D. Rr. Brg.:	
	(Set Components)	LM11949/LM11910		Seal	15315
1972-1970	Camaro:			(Speedi-Sleeve)	99152
	Seal	19984		Bearing (Front)	M86649/M86610
	Bearing (Inner)	BR6		Bearing (Rear)	HM89449/HM89410
	(Set Components)	LM67048/LM67010	1981-1976	8.50" Ring Gear:	
	Bearing (Outer)	BR2		Seal	19273
	(Set Components)	LM11949/LM11910		(Speedi-Sleeve)	99193
1969-1964	All:			Bearing (Front)	BR52
	Seal	17187		(Set Components)	M88048/M88010
	Bearing (Inner)	BR6		Bearing (Rear)	M802048/M802011
	(Set Components)	LM67048/LM67010	1977	8.875" Ring Gear:	
	Bearing (Outer)	BR2		Seal	19273
	(Set Components)	LM11949/LM11910		(Speedi-Sleeve)	99193
				Bearing (Front)	BR52
				(Set Components)	M88048/M88010
				Bearing (Rear)	M802048/M802011
			1976	8.875" Ring Gear:	
				Seal	19273
				(Speedi-Sleeve)	99193
				Bearing (Front)	BR52
				(Set Components)	M88048/M88010
				Bearing (Rear)	M804049/M804010
			1975-1973	w/8.875" Ring Gear & 1.625" I.D. Rr. Brg.:	
				Seal	19273
				(Speedi-Sleeve)	99193
				Bearing (Front)	BR52
				(Set Components)	M88048/M88010
				Bearing (Rear)	M802048/M802011
			1975-1973	w/8.875" Ring Gear & 1.875" I.D. Rr. Brg.:	
				Seal	19273
				(Speedi-Sleeve)	99193
				Bearing (Front)	BR52
				(Set Components)	M88048/M88010
				Bearing (Rear)	M804049/M804010
			1972-1965	12 Bolt Cvr.:	
				Seal	17190
				(Speedi-Sleeve)	99170
				Bearing (Front)	BR52
				(Set Components)	M88048/M88010
				Bearing (Rear)	M802048/M802011
					(Continued)
<b>Wheel Rear</b>					
1995-1991	All:				
	Seal	13992			
	Bearing	R1563-TAV			
	(Axle Repair Brg. Assy.)	• R1563			
1990-1987	w/o 7.75" Ring Gear:				
	Seal	13992			
	Bearing	R1563-TAV			
	(Axle Repair Brg. Assy.)	• R1563			
1988-1987	7.75" Ring Gear:				
	Seal (L.H.)	16491			
	Seal (R.H.)	16542			
	Bearing	BR9			
1986-1978	All:				
	Seal	13992			
	Bearing	R1563-TAV			
	(Axle Repair Brg. Assy.)	• R1563			
1977-1973	B & O Axles:				
	Seal	16735			
	Bearing	BR9			
1977-1973	Chevelle Wgn. w/M & P Axles:				
	Seal	↔16044			
	(Superseded by:)	16404			
	Bearing	R1559-TV			
	(Axle Repair Brg. Assy.)	• R1559			
1977-1964	w/o B, M, O & P Axles:				
	Seal	13992			
	Bearing	R1563-TAV			
	(Axle Repair Brg. Assy.)	• R1563			

## Passenger cars, light & medium trucks

(Cont.) -- Chevrolet (RWD) Acadian Beaumont, Berlinetta, Camaro, Chevelle, Concours, El Camino, Greenbrier, Laguna, Malibu (thru 1983), Monte Carlo (thru 1988), Nomad, Z28

MFG./YEAR	MODEL & LOCATION	PART NO.	MFG./YEAR	MODEL & LOCATION	PART NO.
<b>Pinion (Cont.)</b>			<b>Clutch (Cont.)</b>		
1972-1964	10 Bolt Cvr.:		<b>Release (Cont.)</b>		
	Seal .....	15315	1979-1976	Camaro w/8 Cyl. Eng. & (M15) Trans.:	
	(Speedi-Sleeve) .....	99152		Bearing Only .....	N1085
	Bearing (Front) .....	M86649/M86610		Bearing Assembly .....	N1086-SA
	Bearing (Rear) .....	HM89449/HM89410	1978	Exc. Camaro & El Camino w/350 Eng.:	
<b>Differential</b>				Bearing Only .....	N1085
1995-1973	w/o 7.75" Ring Gear:			Bearing Assembly .....	N1086-SA
	Bearing .....	BR72	1978	El Camino w/350 Eng.:	
	(Set Components) .....	LM501349/LM501314		Bearing Assembly .....	N1488
1990-1987	7.75" Ring Gear:		1978-1976	Camaro w/6 Cyl. Eng. & (M15) Trans.:	
	Bearing .....	LM102949/LM102911		Bearing Only .....	N1085
1977-1973	8.75" & 8.875" Ring Gears:			Bearing Assembly .....	N1086-SA
	Bearing .....	BR36	1978-1976	Camaro w/6 Cyl. Eng., (M20) & (M21) Trans.:	
	(Set Components) .....	LM603049/LM603012		Bearing Assembly .....	N1488
1972-1965	12 Bolt Cvr.:		1977-1975	6 & 8 Cyl. Eng. Exc. Camaro:	
	Bearing .....	BR36		Bearing Only .....	N1085
	(Set Components) .....	LM603049/LM603012		Bearing Assembly .....	N1086-SA
1972-1964	10 Bolt Cvr.:		1975-1970	Camaro w/350 Eng.:	
	Bearing .....	BR72		Bearing Assembly .....	N1488
	(Set Components) .....	LM501349/LM501314	1975-1967	Camaro w/230, 250, 305 & 307 Eng.:	
<b>Kit</b>				Bearing Only .....	N1085
1995-1982	7.50" Ring Gear:			Bearing Assembly .....	N1086-SA
	Standard Seal and Bearing Kit Rear .....	SDK320	1974	6 Cyl. Eng. Exc. Camaro, El Camino & Laguna:	
	Master Seal and Bearing Kit Rear .....	SDK320-MK		Bearing Only .....	N1085
				Bearing Assembly .....	N1086-SA
<b>Clutch</b>			1974-1969	8 Cyl. Exc. 307 Eng. & Camaro:	
<b>Pilot</b>				Bearing Assembly .....	N1488
1995-1982	8 Cyl. Eng.:		1973	Chevelle, El Camino & Laguna w/6 Cyl. Eng.:	
	Bearing (Bushing) .....	B656		Bearing Assembly .....	N1488
	(Heavy Duty) .....	B657	1973-1968	307 Eng. Exc. Camaro:	
1995-1993	207 (3.4L) Eng.:			Bearing Only .....	N1085
	Bearing (Bushing) .....	B652		Bearing Assembly .....	N1086-SA
	(Heavy Duty) .....	B652HD	1971-1970	Camaro w/6.6L Eng.:	
1992-1982	6 Cyl. Eng.:			Bearing Only .....	N1085
	Bearing (Bushing) .....	B652		Bearing Assembly .....	N1086-SA
	(Heavy Duty) .....	B652HD	1970-1967	Camaro w/302 & 396 Eng.:	
1986-1985	151 (2.5L) Eng.:			Bearing Assembly .....	N1488
	Bearing .....	B661	1969	Camaro w/350 2 Bbl. Eng.:	
1984-1982	151 (2.5L) Eng.:			Bearing Only .....	N1085
	Bearing (Bushing) .....	B656		Bearing Assembly .....	N1086-SA
	(Heavy Duty) .....	B657	1968-1967	Camaro w/350 Eng.:	
1981-1964	All:			Bearing Assembly .....	N1488
	Bearing (Bushing) .....	B656	1968-1967	Camaro w/327 Eng.:	
	(Heavy Duty) .....	B657		Bearing Only .....	N1085
				Bearing Assembly .....	N1086-SA
<b>Release</b>			1968-1965	4 Spd. Trans.:	
1995-1993	207 (3.4L) Eng.:			Bearing Assembly .....	N1488
	Bearing Assembly .....	N4068	1968-1965	Chevelle & Camaro w/3 Spd. Trans. & 4 Bbl. Carb.:	
	(Self-Aligning) .....	N3068-SA		Bearing Assembly .....	N1488
1992-1984	All:		1968-1964	3 Spd. Trans. w/o 4 Bbl. Carb. Eng. Exc. Camaro:	
	Bearing Assembly .....	N4068		Bearing Only .....	N1085
	(Self-Aligning) .....	N3068-SA		Bearing Assembly .....	N1086-SA
1983-1982	All:		1967	Camaro w/283 4 Bbl. Eng.:	
	Bearing Assembly .....	N1488		Bearing Assembly .....	N1488
1981-1979	6 Cyl. Eng.:		1964	4 Spd. 1st Design Trans.:	
	Bearing Assembly .....	N1488		Bearing Assembly .....	N1488
1981-1976	Camaro w/8 Cyl. Eng. w/o (M15) Trans.:				
	Bearing Assembly .....	N1488			

(Continued)

**Chevrolet (RWD) Acadian Beaumont, Berlinetta, Camaro, Chevelle, Concours, El Camino, Greenbrier, Laguna, Malibu (thru 1983), Monte Carlo (thru 1988), Nomad, Z28 -- (Cont.)**

MFG./YEAR	MODEL & LOCATION	PART NO.	MFG./YEAR	MODEL & LOCATION	PART NO.
<b>Clutch (Cont.)</b>			<b>Transmission-Manual</b>		
<b>Release (Cont.)</b>			<b>Countershaft</b>		
1964	4 Spd. 2nd Design Trans.:		1995-1994	6 Spd. Trans.:	
	Bearing Only .....	N1085		Bearing (Front) .....	BR5
	Bearing Assembly .....	N1086-SA		(Set Components) .....	LM48548/LM48510
<b>Transmission-Automatic</b>				Bearing (Rear) .....	32008-X
<b>Front Pump</b>			1995-1988	5 Spd. Trans.:	
1995-1982	THM700 & 4L60E Trans.:			Bearing (Rear) .....	BR6
	Seal Kit .....	17459		(Set Components) .....	LM67048/LM67010
	(Speedi-Sleeve) .....	99174	1987-1983	5 Spd. Trans.:	
1984-1976	THM200 Trans.:			Bearing (Front) .....	DK55836
	Seal .....	17458		Bearing (Rear) .....	R1563-TAV
	(Speedi-Sleeve) .....	99174	1984-1965	4 Spd. Trans.:	
1984-1976	THM250, THM350, THM375 & THM400 Trans.:			Bearing .....	[50] C407-Q
	Seal .....	18692	1981-1964	3 Spd. Trans.:	
	(Speedi-Sleeve) .....	99187		Bearing .....	[50] C407-Q
	(Speedi-Sleeve/Seal Kit) .....	480187	<b>Front</b>		
1975-1967	THM Trans.:		1995-1994	6 Spd. Trans.:	
	Seal .....	18692		Seal .....	12363
	(Speedi-Sleeve) .....	99187		(Speedi-Sleeve) .....	99125
	(Speedi-Sleeve/Seal Kit) .....	480187		Bearing .....	BR52
1973-1969	Powerglide & Torque Drive Trans.:			(Set Components) .....	M88048/M88010
	Seal .....	18692	1995-1983	5 Spd. Trans.:	
	(Speedi-Sleeve) .....	99187		Seal .....	12363
	(Speedi-Sleeve/Seal Kit) .....	480187		(Speedi-Sleeve) .....	99125
1968-1964	Powerglide & Torque Drive Trans.:			Bearing .....	BR5
	Seal .....	18671		(Set Components) .....	LM48548/LM48510
	(Speedi-Sleeve) .....	99187	1984-1982	4 Spd. M18 & M24 Trans.:	
<b>Rear</b>				Seal .....	12363
1995-1976	w/o THM400 Trans.:			(Speedi-Sleeve) .....	99125
	Seal .....	15041	1984-1982	4 Spd. M26 & M67 Trans.:	
	(Speedi-Sleeve) .....	99149		Seal .....	12363
	(Speedi-Sleeve/Seal Kit) .....	480150		(Speedi-Sleeve) .....	99125
1977-1976	THM400 Trans.:			Bearing .....	6207-ZNRJ
	Seal .....	18992	1981-1974	4 Spd. Warner Trans.:	
1975-1969	THM350 Trans.:			Seal .....	12363
	Seal .....	15041		(Speedi-Sleeve) .....	99125
	(Speedi-Sleeve) .....	99149		Bearing .....	307-ZNRJ
	(Speedi-Sleeve/Seal Kit) .....	480150	1981-1971	3 Spd. Exc. H.D. Trans.:	
	Seal Kit .....	15054		Seal .....	12363
1975-1967	THM375 & THM400 Trans.:			(Speedi-Sleeve) .....	99125
	Seal .....	18992		Bearing .....	6207-ZNRJ
1973-1964	Powerglide & Torque Drive Trans.:		1980-1976	4 Spd. Saginaw Trans.:	
	Seal .....	15041		Seal .....	12363
	(Speedi-Sleeve) .....	99149		(Speedi-Sleeve) .....	99125
	(Speedi-Sleeve/Seal Kit) .....	480150	1975-1967	4 Spd. Trans. w/o 327, 350 & 396 Eng.:	
1966-1965	THM Trans.:			Seal .....	12363
	Seal .....	16871		(Speedi-Sleeve) .....	99125
	(Speedi-Sleeve) .....	99168		Bearing .....	307-VSP82
<b>Shift Shaft</b>			1975-1967	4 Spd. Trans. w/327, 350 & 396 Eng.:	
1995-1969	All:			Seal .....	12363
	Seal .....	4912		(Speedi-Sleeve) .....	99125
	(Speedi-Sleeve) .....	99050	1973-1969	3 Spd. Muncie H.D. Trans.:	
	(Speedi-Sleeve/Seal Kit) .....	480050		Seal .....	12363
				(Speedi-Sleeve) .....	99125
				Bearing .....	■ 6307-NJ
			1970-1967	3 Spd. Trans. w/o 327 & 350 Eng.:	
				Seal .....	12363
				(Speedi-Sleeve) .....	99125
				Bearing .....	6207-ZNRJ
					(Continued)

## Passenger cars, light & medium trucks

(Cont.) -- Chevrolet (RWD) Acadian Beaumont, Berlinetta, Camaro, Chevelle, Concours, El Camino, Greenbrier, Laguna, Malibu (thru 1983), Monte Carlo (thru 1988), Nomad, Z28

MFG./YEAR	MODEL & LOCATION	PART NO.	MFG./YEAR	MODEL & LOCATION	PART NO.
<b>Transmission-Manual (Cont.)</b>			<b>Transmission-Manual (Cont.)</b>		
<b>Front (Cont.)</b>			<b>Rear (Cont.)</b>		
1969-1968	3 Spd. Trans. w/327 & 350 Engs.:		1981-1976	4 Spd. Saginaw Trans.:	
	Seal ..... 12363			Seal ..... 15041	
	(Speedi-Sleeve) ..... 99125			(Speedi-Sleeve) ..... 99149	
1969-1965	3 Spd. H.D. Warner Trans.:			(Speedi-Sleeve/Seal Kit) ..... 480150	
	Seal ..... 12363			Seal Kit ..... 15054	
	(Speedi-Sleeve) ..... 99125		1981-1969	3 Spd. Trans. w/o H.D. Trans.:	
	Bearing ..... 307-NRJ			Seal ..... 15041	
1966	3 Spd. Trans. w/o 327 Eng.:			(Speedi-Sleeve) ..... 99149	
	Seal ..... 12363			(Speedi-Sleeve/Seal Kit) ..... 480150	
	(Speedi-Sleeve) ..... 99125			Seal Kit ..... 15054	
	Bearing ..... ■ 6207-NRJ		1975	4 Spd. Muncie Trans.:	
1966	3 Spd. Trans. w/327 Eng.:			Seal ..... 18992	
	Seal ..... 12363			Seal & Bushing Kit ..... 18998	
	(Speedi-Sleeve) ..... 99125		1974-1971	4 Spd. Saginaw Trans.:	
1966	4 Spd. Saginaw Trans.:			Seal ..... 15041	
	Seal ..... 12363			(Speedi-Sleeve) ..... 99149	
	(Speedi-Sleeve) ..... 99125			(Speedi-Sleeve/Seal Kit) ..... 480150	
	Bearing ..... 6207-ZNRJ			Seal Kit ..... 15054	
1965-1964	4 Spd. Trans.:		1974-1969	4 Spd. Muncie Trans.:	
	Seal ..... 12363			Seal ..... 18992	
	(Speedi-Sleeve) ..... 99125			Seal & Bushing Kit ..... 18998	
	Bearing ..... 307-VSP82			Bearing ..... ■ 6308-NJ	
<b>Mainshaft Pilot</b>			1970-1967	4 Spd. Saginaw Trans.:	
1995-1983	5 Spd. Trans.:			Seal ..... 15041	
	Bearing ..... QBR23549			(Speedi-Sleeve) ..... 99149	
1974-1964	4 Spd. Muncie Trans.:			(Speedi-Sleeve/Seal Kit) ..... 480150	
	Bearing ..... JV44-1419			Seal Kit ..... 15054	
1965-1964	3 Spd. Trans.:		1968-1966	4 Spd. Muncie Trans.:	
	Bearing (Front) ..... [14] C1110-Q			Seal ..... 15041	
<b>Rear</b>				(Speedi-Sleeve) ..... 99149	
1995-1994	6 Spd. Trans.:			(Speedi-Sleeve/Seal Kit) ..... 480150	
	Seal (Double Lip) ..... 14635			Seal Kit ..... 15054	
	Seal (Triple Lip) ..... 14569			Bearing ..... ■ 6308-NJ	
	Bearing ..... BR16		1966	4 Spd. Saginaw Trans. w/327 Eng.:	
	(Set Components) ..... LM12749/LM12711			Seal ..... 15041	
1995-1983	5 Spd. Trans.:			(Speedi-Sleeve) ..... 99149	
	Seal ..... 15041			(Speedi-Sleeve/Seal Kit) ..... 480150	
	(Speedi-Sleeve) ..... 99149			Seal Kit ..... 15054	
	(Speedi-Sleeve/Seal Kit) ..... 480150		1966	4 Spd. Saginaw Trans. w/283 Eng.:	
	Seal Kit ..... 15054			Seal ..... 15041	
	Bearing ..... BR25877/BR25821			(Speedi-Sleeve) ..... 99149	
1984-1982	4 Spd. Warner Trans.:			(Speedi-Sleeve/Seal Kit) ..... 480150	
	Seal ..... 15041			Seal Kit ..... 15054	
	(Speedi-Sleeve) ..... 99149		1965	3 Spd. Trans. w/o 327 Eng. & O/D:	
	(Speedi-Sleeve/Seal Kit) ..... 480150			Seal ..... 15041	
	Seal Kit ..... 15054			(Speedi-Sleeve) ..... 99149	
1982	4 Spd. Saginaw Trans.:			(Speedi-Sleeve/Seal Kit) ..... 480150	
	Seal ..... 15041			Seal Kit ..... 15054	
	(Speedi-Sleeve) ..... 99149		1965	3 Spd. Trans. w/327 Eng. & O/D:	
	(Speedi-Sleeve/Seal Kit) ..... 480150			Seal ..... 15041	
	Seal Kit ..... 15054			(Speedi-Sleeve) ..... 99149	
	Bearing ..... 6307-RSJ			(Speedi-Sleeve/Seal Kit) ..... 480150	
1981-1977	4 Spd. Warner Trans.:			Seal Kit ..... 15054	
	Seal ..... 18658		1965-1964	4 Spd. Trans.:	
	(Speedi-Sleeve) ..... 99187			Seal ..... 15041	
	Bearing ..... 307-NRJ			(Speedi-Sleeve) ..... 99149	
				(Speedi-Sleeve/Seal Kit) ..... 480150	
				Seal Kit ..... 15054	

(Continued)

**Chevrolet (RWD) Acadian Beaumont, Berlinetta, Camaro, Chevelle, Concours, El Camino, Greenbrier, Laguna, Malibu (thru 1983), Monte Carlo (thru 1988), Nomad, Z28 -- (Cont.)**

MFG./YEAR	MODEL & LOCATION	PART NO.	MFG./YEAR	MODEL & LOCATION	PART NO.
<b>Transmission-Manual (Cont.)</b>			<b>Engine (Cont.)</b>		
<b>Shift Shaft</b>			<b>Crankshaft-Rear (Cont.)</b>		
1982	4 Spd. Saginaw Trans.:		1987-1978	231 (3.8L) Eng.:	
	Seal .....	6130		Seal Kit .....	191
	(Speedi-Sleeve) .....	99062	1986-1982	151 (2.5L) Eng.:	
1981-1977	4 Spd. Warner Trans.:			Seal .....	29987
	Seal .....	6130	1985-1976	265 (4.3L), 267 (4.4L), 305 (5.0L), 350 L (5.7L) & 400 Engs.:	
	(Speedi-Sleeve) .....	99062		Seal Kit .....	199
1981-1976	3 Spd. Trans.:		1984-1982	350 (5.7L) Diesel Eng.:	
	Seal .....	7410		Seal Kit .....	191
	(Speedi-Sleeve) .....	99076	1984-1978	200 (3.3L) & 229 (3.8L) Engs.:	
	(Speedi-Sleeve/Seal Kit) .....	480074		Seal Kit .....	199
1980-1974	4 Spd. Muncie Trans.:		1983-1982	260 (4.3L) Diesel Eng.:	
	Seal .....	7410		Seal Kit .....	191
	(Speedi-Sleeve) .....	99076	1979-1968	230 & 250 Engs.:	
	(Speedi-Sleeve/Seal Kit) .....	480074		Seal Kit .....	199
<b>Air Conditioning Clutch</b>			1975-1966	396, 402 & 454 Engs.:	
1995-1964	All:			Seal Kit .....	216
	Bearing .....	5908-VAW	1975-1964	283, 302, 307, 327, 350 & 400 Engs.:	
<b>Air Conditioning Compressor</b>				Seal Kit .....	199
1990-1975	RadialComp.:		<b>Timing Cover</b>		
	Bearing .....	B128	1995	231 (3.8L) Eng.:	
<b>Alternator</b>				Seal .....	19387
1995-1994	All:			(Speedi-Sleeve) .....	99193
	Bearing (Rear) .....	DB65093	1995-1990	189 (3.1L), 205 (3.4L), 307 (5.0L) & 350 (5.7L) Engs.:	
1993	All:			Seal .....	17286
	Bearing (Rear) .....	6000-2RSJ		(Speedi-Sleeve) .....	99176
1989	120 & 124 Amp.:			(Speedi-Sleeve/Seal Kit) .....	480177
	Bearing (Rear) .....	6000-2RSJ	1989-1982	151 (2.5L) & 173 (2.8L) Engs.:	
1989-1987	w/o 62, 70, 85, 110, 120 & 124 Amp.:			Seal .....	17286
	Bearing (Rear) .....	MNJ471-S		(Speedi-Sleeve) .....	99176
1986-1983	All:			(Speedi-Sleeve/Seal Kit) .....	480177
	Bearing (Front) .....	6203-2RSJ	1989-1976	265 (4.3L), 267 (4.4L), 305 (5.0L), 350 (5.7L) & 400 (6.6L) Engs.:	
	Bearing (Rear) .....	MNJ471-S		Seal .....	17286
1982-1972	All:			(Speedi-Sleeve) .....	99176
	Bearing (Front) .....	6203-ZJ		(Speedi-Sleeve/Seal Kit) .....	480177
	Bearing (Rear) .....	MNJ471-S	1987-1978	231 (3.8L) Eng.:	
1971-1964	w/o 62 Amp.:			Seal Kit .....	144
	Bearing (Front) .....	6203-RSJ	1984-1982	260 (4.3L) & 350 (5.7L) Diesel Engs.:	
	Bearing (Rear) .....	MNJ471-S		Seal .....	19887
1971-1964	62 Amp.:			(Speedi-Sleeve) .....	99199
	Bearing .....	[2] 6203-RSJ	1984-1978	200 (3.3L) & 229 (3.8L) Engs.:	
<b>Engine</b>				Seal .....	17286
<b>Crankshaft-Rear</b>				(Speedi-Sleeve) .....	99176
1995	231 (3.8L) Eng.:			(Speedi-Sleeve/Seal Kit) .....	480177
	Seal .....	32289	1979-1964	194, 230 & 250 Engs.:	
	(Speedi-Sleeve) .....	99328		Seal .....	17286
1995-1986	265 (4.3L), 305 (5.0L) & 350 (5.7L) Engs.:			(Speedi-Sleeve) .....	99176
	Seal (Viton) .....	37026		(Speedi-Sleeve/Seal Kit) .....	480177
	(Speedi-Sleeve) (Viton) .....	99369	1975-1966	396, 402 & 454 Engs.:	
	Seal .....	37027		Seal .....	23300
	(Speedi-Sleeve) .....	99364		(Speedi-Sleeve) .....	99233
1995-1993	207 (3.4L) Eng.:			(Speedi-Sleeve/Seal Kit) .....	480233
	Seal .....	29862	1975-1964	283, 302, 307, 327, 350 & 400 Engs.:	
	(Speedi-Sleeve) .....	99298		Seal .....	17286
1992-1985	173 (2.8L) & 189 (3.1L) Engs.:			(Speedi-Sleeve) .....	99176
	Seal .....	29862		(Speedi-Sleeve/Seal Kit) .....	480177
	(Speedi-Sleeve) .....	99298			(Continued)

## Passenger cars, light & medium trucks

(Cont.) -- Chevrolet (RWD) Acadian Beaumont, Berlinetta, Camaro, Chevelle, Concours, El Camino, Greenbrier, Laguna, Malibu (thru 1983), Monte Carlo (thru 1988), Nomad, Z28

MFG./YEAR	MODEL & LOCATION	PART NO.	MFG./YEAR	MODEL & LOCATION	PART NO.
<b>Steering-Power</b>			<b>Steering-Power (Cont.)</b>		
<b>Pitman Shaft</b>			<b>Worm Shaft (Cont.)</b>		
1990-1988	800 Gear w/Touring Suspension:		1979-1964	800 Gear (4 Bolt Side Cvr.):	
	Seal (Inner)	12371		Seal	8660
	Seal (Outer)	12355	<b>Steering-Standard</b>		
	Seal Kit	12392	<b>Pitman Shaft</b>		
1987-1964	800 Gear (4 Bolt Side Cvr.):		1981-1964 All:		
	Seal (Inner)	12371		Seal	11055
	Seal (Outer)	12355	<b>Worm Shaft</b>		
	Seal Kit	12392	1981-1969 All:		
1983-1978	605 Gear (Round Side Cvr.):			Seal	7481
	Seal	11143	1968	All:	
<b>Pump Shaft</b>				Seal	7415
1995-1991	All:		1967-1964	All:	
	Seal	7475		Seal	7481
1990-1967	Exc. Camaro w/151 Eng.:				
	Seal	7475			
1966-1964	All:				
	Seal	6765			
<b>Worm Shaft</b>					
1988-1980	800 Gear (4 Bolt Side Cvr.):				
	Seal	7905			
1983-1978	605 Gear (Round Side Cvr.):				
	Seal	8648			

## Chevrolet (RWD) Chevette

### Wheel Front

1987-1976	All:	
	Seal	14709
	Bearing (Inner)	BR4
	(Set Components)	L44649/L44610
	Bearing (Outer)	BR1
	(Set Components)	LM11749/LM11710

### Wheel Rear

1987-1976	All:	
	Seal	12907
	Bearing	C5107-EV

### Pinion

1987-1976	All:	
	Seal	17781
	(Speedi-Sleeve)	99177
	Bearing (Front)	M84548/M84510
	Bearing (Rear)	BR52
	(Set Components)	M88048/M88010

### Differential

1987-1976	All:	
	Bearing	LM29749/LM29711

### Clutch

#### Pilot

1987-1981	98 (1.6L) Eng.:	
	Bearing (Bushing)	B652
	(Heavy Duty)	B652HD
1986-1981	111 (1.8L) Diesel Eng.:	
	Bearing	6203-2RSJ
1980-1976	All:	
	Bearing (Bushing)	B656
	(Heavy Duty)	B657

### Clutch (Cont.)

#### Release

1987-1981	98 (1.6L) Eng.:	
	Bearing Assembly	N1488
	(Self-Aligning)	N3068-SA
1986-1981	111 (1.8L) Diesel Eng.:	
	Bearing Only	N3055
	Bearing Assembly	N3007
1980-1976	All:	
	Bearing Assembly	N1488

### Transmission-Automatic

#### Front Pump

1987-1976	THM180 Trans.:	
	Seal	18692
	(Speedi-Sleeve)	99187
	(Speedi-Sleeve/Seal Kit)	480187
1984-1976	THM200 Trans.:	
	Seal	17458
	(Speedi-Sleeve)	99174

#### Rear

1987-1976	All:	
	Seal	15041
	(Speedi-Sleeve)	99149
	(Speedi-Sleeve/Seal Kit)	480150

#### Shift Shaft

1987-1976	All:	
	Seal	4912
	(Speedi-Sleeve)	99050
	(Speedi-Sleeve/Seal Kit)	480050

(Continued)

**Chevrolet (RWD) Chevette -- (Cont.)**

MFG./YEAR	MODEL & LOCATION	PART NO.	MFG./YEAR	MODEL & LOCATION	PART NO.
<b>Transmission-Manual</b>			<b>Alternator (Cont.)</b>		
<b>Front</b>			1982-1976 w/o Diesel Eng.:		
1987-1982	5 Spd. Trans. w/Gas Eng.:		Bearing (Front)		6203-ZJ
	Seal	12363	Bearing (Rear)		MNJ471-S
	(Speedi-Sleeve)	99125	<b>Engine</b>		
	Bearing	BR5	<b>Camshaft</b>		
	(Set Components)	LM48548/LM48510	1987-1984 98 (1.6L) Eng.:		
1987-1976	4 Spd. Trans.:		Seal		17286
	Seal	11700	(Speedi-Sleeve)		99176
	(Speedi-Sleeve)	99122	(Speedi-Sleeve/Seal Kit)		480177
	Bearing	6206-ZNRJ	1986-1981 111 (1.8L) Diesel Eng.:		
1986-1981	5 Spd. Trans. w/Diesel Eng.:		Seal		10957
	Seal	10661	(Speedi-Sleeve)		99111
	(Speedi-Sleeve)	99106	1983-1976 85 (1.4L) & 98 (1.6L) Eng.:		
<b>Rear</b>			Seal		17286
1987-1982	5 Spd. Trans. w/Gas Eng.:		(Speedi-Sleeve)		99176
	Seal	15041	(Speedi-Sleeve/Seal Kit)		480177
	Seal Kit	15054	<b>Crankshaft-Rear</b>		
	(Speedi-Sleeve)	99149	1987-1976 85 (1.4L) & 98 (1.6L) Eng.:		
	(Speedi-Sleeve/Seal Kit)	480150	Seal		29870
1987-1976	4 Spd. Trans.:		(Speedi-Sleeve)		99300
	Seal	15041	1986-1981 111 (1.8L) Diesel Eng.:		
	Seal Kit	15054	Seal		37030
	(Speedi-Sleeve)	99149	(Speedi-Sleeve)		99369
	(Speedi-Sleeve/Seal Kit)	480150	<b>Timing Cover</b>		
	Bearing	6206-NRJ	1987-1976 85 (1.4L) & 98 (1.6L) Eng.:		
1986-1981	5 Spd. Trans. w/Diesel Eng.:		Seal		17286
	Seal	15041	(Speedi-Sleeve)		99176
	Seal Kit	15054	(Speedi-Sleeve/Seal Kit)		480177
	(Speedi-Sleeve)	99149	1986-1981 111 (1.8L) Diesel Eng.:		
	(Speedi-Sleeve/Seal Kit)	480150	Seal		15829
<b>Air Conditioning Clutch</b>			(Speedi-Sleeve)		99157
1987-1976	All:		<b>Steering-Power</b>		
	Bearing	5908-VAW	<b>Pump Shaft</b>		
<b>Air Conditioning Compressor</b>			1987-1981 All:		
1987-1976	Radial Comp.:		Seal		7475
	Bearing	B128	<b>Alternator</b>		
<b>Alternator</b>			1987-1983 w/o Diesel Eng.:		
1987-1983	w/o Diesel Eng.:		Bearing (Front)		6203-2RSJ
	Bearing (Front)	6203-2RSJ	Bearing (Rear)		MNJ471-S
	Bearing (Rear)	MNJ471-S	1986-1981 Diesel Eng.:		
1986-1981	Diesel Eng.:		Bearing (Front)		6303-2RSJ
	Bearing (Front)	6303-2RSJ			

**Chevrolet (RWD) Corvair, Corsa, Spyder**

MFG./YEAR	MODEL & LOCATION	PART NO.	MFG./YEAR	MODEL & LOCATION	PART NO.
<b>Wheel Front</b>			<b>Wheel Front (Cont.)</b>		
1969-1966	All:		1965-1960	F.C. Truck:	
	Seal	17187	Seal		18543
	Bearing (Inner)	BR6	Bearing (Inner)		BR6
	(Set Components)	LM67048/LM67010	(Set Components)		LM67048/LM67010
	Bearing (Outer)	BR2	Bearing (Outer)		BR2
	(Set Components)	LM11949/LM11910	(Set Components)		LM11949/LM11910
1965	Exc. F.C. Truck:		1964-1960	Exc. F.C. Truck:	
	Seal	17187	Seal		14863
	Bearing (Inner)	BR6	Bearing (Inner)		BR4
	(Set Components)	LM67048/LM67010	(Set Components)		L44649/L44610
	Bearing (Outer)	BR2	Bearing (Outer)		BR1
	(Set Components)	LM11949/LM11910	(Set Components)		LM11749/LM11710
			(Continued)		



## Passenger cars, light & medium trucks

### (Cont.) -- Chevrolet (RWD) Corvair, Corsa, Spyder

MFG./YEAR	MODEL & LOCATION	PART NO.	MFG./YEAR	MODEL & LOCATION	PART NO.
<b>Wheel Rear</b>			<b>Transmission-Manual (Cont.)</b>		
<b>1969-1965 Exc. F.C. Truck:</b>			<b>Front</b>		
	Seal (Inner) .....	16757	<b>1969-1966 4 Spd. Trans.:</b>		
	Seal (Outer) .....	21650	Bearing .....		
	Bearing (Inner) .....	M86649/M86610	<b>1969-1965 3 Spd. Trans.:</b>		
	Bearing (Outer) .....	BR6	Bearing .....		
	(Set Components) .....	LM67048/LM67010	<b>Rear</b>		
<b>Pinion</b>			<b>1965-1961 4 Spd. Trans. 2nd Design:</b>		
<b>1969-1960 All:</b>			Bearing .....		
	Seal .....	12905	<b>1965-1960 3 Spd. Trans.:</b>		
	Bearing .....	[2] BR52	Bearing .....		
	(Set Components) .....	M88048/M88010	<b>Shift Shaft</b>		
<b>Differential</b>			<b>1969-1960 All:</b>		
<b>1969-1960 All:</b>			Seal .....		
	Seal .....	11514	(Speedi-Sleeve) .....		
	(Speedi-Sleeve) .....	99120	<b>Alternator</b>		
	Bearing .....	BR37	<b>1969-1962 w/o 62 Amp.:</b>		
	(Set Components) .....	LM603049/LM603011	Bearing (Front) .....		
<b>Clutch</b>			Bearing (Rear) .....		
<b>Release</b>			<b>1969-1960 62 Amp.:</b>		
<b>1969-1964 Exc. 1st Design F.C. Truck:</b>			Bearing .....		
	Bearing Assembly .....	N1488	[2] 6203-RSJ		
<b>1964 F.C. Truck 1st Design:</b>			<b>Engine</b>		
	Bearing Only .....	N1085	<b>Crankshaft-Rear</b>		
	Bearing Assembly .....	N1451	<b>1969-1960 All:</b>		
<b>1963-1960 All:</b>			Seal .....		
	Bearing Only .....	N1085	(Speedi-Sleeve) .....		
	Bearing Assembly .....	N1451	<b>Steering-Standard</b>		
<b>Transmission-Automatic</b>			<b>Housing</b>		
<b>Front Pump</b>			<b>1969-1960 All:</b>		
<b>1969-1960 All:</b>			Seal .....		
	Seal .....	17280	6130		
	(Speedi-Sleeve) .....	99174	<b>Pitman Shaft</b>		
<b>Shift Shaft</b>			<b>1969-1960 Exc. F.C. Truck:</b>		
<b>1969-1960 All:</b>			Seal .....		
	Seal .....	5605	<b>1965-1960 F.C. Truck:</b>		
<b>Transmission-Manual</b>			Seal .....		
<b>Countershaft</b>			11055		
<b>1969-1966 4 Spd. Trans.:</b>			<b>Wheel Front (Cont.)</b>		
	Bearing .....	[50] C407-Q	<b>1968-1963 All:</b>		
<b>1969-1964 All:</b>			Seal .....		
	Seal .....	7750	Bearing (Inner) .....		
	(Speedi-Sleeve) .....	99081	(Set Components) .....		
<b>1969-1960 3 Spd. Trans.:</b>			Bearing (Outer) .....		
	Bearing .....	[50] C407-Q	(Set Components) .....		

### Chevrolet (RWD) Corvette, Stingray

<b>Wheel Front</b>		<b>Wheel Front (Cont.)</b>	
<b>1982-1969 All:</b>		<b>1968-1963 All:</b>	
	Seal .....		Seal .....
	Bearing (Inner) .....		Bearing (Inner) .....
	(Set Components) .....		(Set Components) .....
	Bearing (Outer) .....		Bearing (Outer) .....
	(Set Components) .....		(Set Components) .....
<b>1962-1958 All:</b>		<b>1962-1958 All:</b>	
	Seal .....		Seal .....
	Bearing (Inner) .....		Bearing (Inner) .....
	Bearing (Outer) .....		Bearing (Outer) .....

(Continued)

**Chevrolet (RWD) Corvette, Stingray -- (Cont.)**

MFG./YEAR	MODEL & LOCATION	PART NO.	MFG./YEAR	MODEL & LOCATION	PART NO.
<b>Wheel Front (Cont.)</b>			<b>Pinion (Cont.)</b>		
1957-1953	All:		1988	3.07 Rr. Axle Ratio w/8.50" Ring Gear:	
	Seal .....	18772		Seal .....	18891
	Bearing (Inner) .....	B52		(Speedi-Sleeve) .....	99187
	Bearing (Outer) .....	B01		Bearing (Front) .....	BR52
<b>Wheel Rear</b>				(Set Components) .....	M88048/M88010
1995-1986	All:			Bearing (Rear) .....	M802048/M802011
	Hub Assembly .....	BR930024	1987-1985	Auto. Trans.:	
1985-1984	All:			Seal .....	15788
	Seal .....	21953		(Speedi-Sleeve) .....	99155
	Hub Assembly .....	BR930024		Bearing (Front) .....	M86647/M86610
1982-1963	All:			Bearing (Rear) .....	HM88649/HM88610
	Seal (Inner) .....	16757	1987-1985	Man. Trans.:	
	Seal (Outer) .....	19803		Seal .....	18891
	Bearing (Inner) .....	M86649/M86610		(Speedi-Sleeve) .....	99187
	Bearing (Outer) .....	BR5		Bearing (Front) .....	BR52
	(Set Components) .....	LM48548/LM48510		(Set Components) .....	M88048/M88010
1962-1960	w/o Positraction:			Bearing (Rear) .....	M802048/M802011
	Seal .....	19012	1984	All:	
	Bearing w/Lock Ring .....	RW607-BR		Seal .....	15788
1962-1958	Positraction:			(Speedi-Sleeve) .....	99155
	Seal .....	18536		Bearing (Front) .....	M86647/M86610
	Bearing w/Lock Ring .....	RW607-BR		Bearing (Rear) .....	HM88649/HM88610
1959-1958	w/o Positraction:		1982-1980	All:	
	Seal .....	19011		Seal .....	15788
	Bearing w/Lock Ring .....	RW607-BR		(Speedi-Sleeve) .....	99155
1957	w/o H.D.:			Bearing (Front) .....	M86647/M86610
	Seal .....	19011		Bearing (Rear) .....	HM88649/HM88610
	Bearing w/Lock Ring .....	RW607-BR	1979-1965	All:	
1957	H.D.:			Seal .....	17190
	Seal .....	18536		(Speedi-Sleeve) .....	99170
	Bearing w/Lock Ring .....	RW607-BR		Bearing (Front) .....	BR52
1956	w/o H.D.:			(Set Components) .....	M88048/M88010
	Seal .....	18551		Bearing (Rear) .....	M802048/M802011
	Bearing w/Lock Ring .....	RW507-ER	1964-1963	All:	
1956	H.D.:			Seal .....	17727
	Seal .....	18536		(Speedi-Sleeve) .....	99170
	Bearing w/Lock Ring .....	RW507-ER		Bearing (Front) .....	BR52
1955-1953	All:			(Set Components) .....	M88048/M88010
	Seal .....	15557		Bearing (Rear) .....	M802048/M802011
<b>Pinion</b>			1962-1956	All:	
1995-1989	2.59, 2.73 & 3.07 Rr. Axle Ratios:			Seal .....	17727
	Seal .....	15791		(Speedi-Sleeve) .....	99170
	(Speedi-Sleeve) .....	99155		Bearing (Front) .....	HM88547/HM88510
	Bearing (Front) .....	M86647/M86610		Bearing (Rear) .....	HM89449/HM89410
	Bearing (Rear) .....	HM88649/HM88610	<b>Differential</b>		
1995-1989	3.33, 3.45 & 3.54 Rr. Axle Ratios:		1995-1990	2.59, 2.73 & 3.07 Rr. Axle Ratios:	
	Seal .....	18891		Bearing .....	BR72
	(Speedi-Sleeve) .....	99187		(Set Components) .....	LM501349/LM501314
	Bearing (Front) .....	M802048/M802011	1995-1989	3.33, 3.45 & 3.54 Rr. Axle Ratios:	
	Bearing (Rear) .....	BR52		Seal .....	14887
	(Set Components) .....	M88048/M88010		(Speedi-Sleeve) .....	99149
1988	2.59 & 2.73 Rr. Axle Ratios:			Bearing .....	BR36
	Seal .....	15791		(Set Components) .....	LM603049/LM603012
	Bearing (Front) .....	M86647/M86610	1989-1985	Auto. Trans.:	
	Bearing (Rear) .....	HM88649/HM88610		Bearing .....	BR72
1988	3.07 Rr. Axle Ratio w/o 8.50" Ring Gear:			(Set Components) .....	LM501349/LM501314
	Seal .....	15791	1988	w/o 3.07 Rr. Axle Ratio w/8.50" Ring Gear:	
	Bearing (Front) .....	M86647/M86610		Seal .....	14887
	Bearing (Rear) .....	HM88649/HM88610		Bearing .....	BR72
				(Set Components) .....	LM501349/LM501314

(Continued)

MFG./YEAR	MODEL & LOCATION	PART NO.	MFG./YEAR	MODEL & LOCATION	PART NO.
<b>Differential (Cont.)</b>			<b>Transmission-Automatic (Cont.)</b>		
1988	3.07 Rr. Axle Ratio w/8.50" Ring Gear:		<b>Front Pump (Cont.)</b>		
	Bearing .....	BR36	1961-1953	Powerglide Trans.:	
	(Set Components) .....	LM603049/LM603012	Seal .....		18692
1987-1985	Man. Trans.:		(Speedi-Sleeve) .....		99187
	Seal .....	14887	(Speedi-Sleeve/Seal Kit) .....		480187
	Bearing .....	BR36			
	(Set Components) .....	LM603049/LM603012	<b>Rear</b>		
1984	1st Design:		1995-1956	w/o THM400 Trans.:	
	Bearing .....	BR35	Seal .....		15041
	(Set Components) .....	LM501349/LM501310	(Speedi-Sleeve) .....		99149
1984	2nd Design:		(Speedi-Sleeve/Seal Kit) .....		480150
	Seal .....	14887	1977-1971	THM400 Trans.:	
	Bearing .....	BR72	Seal .....		18992
	(Set Components) .....	LM501349/LM501314	1955	8 Cyl. Eng.:	
1982-1980	All:		Seal .....		15041
	Seal .....	13988	(Speedi-Sleeve) .....		99149
	Bearing .....	BR37	(Speedi-Sleeve/Seal Kit) .....		480150
	(Set Components) .....	LM603049/LM603011	1955-1953	6 Cyl. Eng.:	
1979-1963	All:		Seal .....		17387
	Seal .....	13562	(Speedi-Sleeve) .....		99174
	(Speedi-Sleeve) .....	99138	<b>Shift Shaft</b>		
	Bearing .....	[2] BR36	1995-1968	All:	
	(Set Components) .....	LM603049/LM603012	Seal .....		4912
1962-1957	All:		(Speedi-Sleeve) .....		99050
	Bearing .....	LM603049/LM603014	(Speedi-Sleeve/Seal Kit) .....		480050
1956-1955	All:		<b>Transmission-Manual</b>		
	Bearing .....	KC11445-Y	<b>Countershaft</b>		
	(Set Components) .....	BR17887/BR17831	1981-1974	4 Spd. Warner Trans.:	
<b>Kit</b>			Bearing .....	[112] C407-Q	
1995-1985	Dana 44, w/ Manual Transaxle		1974-1965	4 Spd. Muncie Trans.:	
	Standard Seal and Bearing Kit Rear .....	SDK339-A	Bearing .....	[50] C407-Q	
1982-1980	Dana 44 Axle:		1970-1955	3 Spd. Trans.:	
	Standard Seal and Bearing Kit Rear .....	SDK339	Bearing .....	[50] C407-Q	
1979-1963	8.50" Ring Gear:		<b>Front</b>		
	Standard Seal and Bearing Kit Rear .....	SDK323	1995-1989	6 Spd. Trans.:	
<b>Clutch</b>			Seal .....		13933
<b>Pilot</b>			(Speedi-Sleeve) .....		99139
1995-1953	All:		1988-1984	4 Spd. Trans.:	
	Bearing (Bushing) .....	B657	Seal .....		12363
<b>Release</b>			(Speedi-Sleeve) .....		99125
1988-1984	All:		1982-1975	4 Spd. Saginaw Trans.:	
	Bearing Assembly .....	N4068	Seal .....		12363
	(Self-Aligning) .....	N3068-SA	(Speedi-Sleeve) .....		99125
1982-1955	2nd Design:		1981-1975	4 Spd. Warner Trans.:	
	Bearing Assembly .....	N1488	Seal .....		12363
1955	1st Design:		(Speedi-Sleeve) .....		99125
	Bearing Only .....	N1085	Bearing .....		307-NRJ
	Bearing Assembly .....	N1086-SA	1974-1964	4 Spd. Trans.:	
<b>Transmission-Automatic</b>			Seal .....		12363
<b>Front Pump</b>			(Speedi-Sleeve) .....		99125
1995-1984	THM700 & 4L60E Trans.:		Bearing .....		307-VSP82
	Seal Kit .....	17459	1970-1968	3 Spd. Exc. H.D. Trans.:	
	(Speedi-Sleeve) .....	99174	Seal .....		12363
1982	THM700 Trans.:		(Speedi-Sleeve) .....		99125
	Seal Kit .....	17459	Bearing .....		6207-ZNRJ
	(Speedi-Sleeve) .....	99174	1970-1966	3 Spd. H.D. Trans.:	
1981-1968	THM Trans.:		Seal .....		12363
	Seal .....	18692	(Speedi-Sleeve) .....		99125
	(Speedi-Sleeve) .....	99187	1962-1957	4 Spd. Trans.:	
	(Speedi-Sleeve/Seal Kit) .....	480187	Bearing .....		6307-NRJ
			(Continued)		

**Chevrolet (RWD) Corvette, Stingray -- (Cont.)**

MFG./YEAR	MODEL & LOCATION	PART NO.	MFG./YEAR	MODEL & LOCATION	PART NO.
<b>Transmission-Manual (Cont.)</b>			<b>Alternator</b>		
<b>Mainshaft Pilot</b>			1995-1994 5.7L P & 5.7L S Engs. w/140 Amp.: Bearing ..... DB65093		
1974-1963	4 Spd. Muncie Trans.:		1995-1993 5.7L J Eng.: Bearing ..... 6000-2RSJ		
	Bearing ..... JV44-1419		1992 All: Bearing ..... [2] 6000-2RSJ		
1965-1953	3 Spd. Trans.:		1991 120 & 124 Amp.: Bearing (Rear) ..... 6000-2RSJ		
	Bearing (Front) ..... [14] C1110-Q		1990-1986 All: Bearing (Front) ..... 6203-2RSJ Bearing (Rear) ..... 6000-2RSJ		
<b>Rear</b>			1985-1984 All: Bearing (Front) ..... 6203-2RSJ Bearing (Rear) ..... MNJ471-S		
1995-1989	6 Spd. Trans.:		1982-1980 70 & 85 Amp.: Bearing (Front) ..... 6203-ZJ Bearing (Rear) ..... BA608		
	Seal ..... 18992		1982-1969 w/o 70 & 85 Amp.: Bearing (Front) ..... 6203-ZJ Bearing (Rear) ..... MNJ471-S		
1988-1984	4 Spd. Trans.:		1968-1955 All: Bearing ..... [2] 6203-RSJ		
	Seal ..... 15041		<b>Engine</b>		
	(Speedi-Sleeve) ..... 99149		<b>Crankshaft-Rear</b>		
	(Speedi-Sleeve/Seal Kit) ..... 480150		1995-1986 350 (5.7L) Eng.: Seal (Viton) ..... 37026 (Speedi-Sleeve) (Viton) ..... 99369 Seal ..... 37027 (Speedi-Sleeve) ..... 99364		
	Seal Kit ..... 15054		1985-1959 283, 327 & 350 Engs.: Seal Kit ..... 199		
	Bearing ..... 6308-NRJ		1974-1965 396, 427 & 454 Engs.: Seal Kit ..... 216		
1982-1966	4 Spd. Saginaw Trans.:		1958-1955 8 Cyl. Eng.: Seal Kit ..... 185		
	Seal ..... 15041		<b>Distributor</b>		
	(Speedi-Sleeve) ..... 99149		1993-1992 350 (5.7L) Eng.: Seal ..... 5008		
	(Speedi-Sleeve/Seal Kit) ..... 480150		<b>Timing Cover</b>		
	Seal Kit ..... 15054		1995-1992 350 P (5.7L) Eng.: Seal ..... 17286 (Speedi-Sleeve) ..... 99176 (Speedi-Sleeve/Seal Kit) ..... 480177		
	Bearing ..... 6308-NRJ		1995-1991 350 J (5.7L) Eng.: (Speedi-Sleeve) ..... 99196		
1981-1974	4 Spd. Warner Trans.:		1991-1990 350 8 (5.7L) Eng.: Seal ..... 17286 (Speedi-Sleeve) ..... 99176 (Speedi-Sleeve/Seal Kit) ..... 480177		
	Seal ..... 18658		1989-1953 w/o 396, 427 & 454 Engs.: Seal ..... 17286 (Speedi-Sleeve) ..... 99176 (Speedi-Sleeve/Seal Kit) ..... 480177		
	(Speedi-Sleeve) ..... 99187		1974-1965 396, 427 & 454 Engs.: Seal ..... 23300 (Speedi-Sleeve) ..... 99233 (Speedi-Sleeve/Seal Kit) ..... 480233		
	Bearing ..... 307-NRJ		(Continued)		
1974-1971	4 Spd. Muncie Trans.:				
	Seal ..... 18992				
	Seal & Bushing Kit ..... 18998				
	Bearing ..... 6308-NRJ				
1970-1963	4 Spd. Muncie Trans.:				
	Seal ..... 15041				
	(Speedi-Sleeve) ..... 99149				
	(Speedi-Sleeve/Seal Kit) ..... 480150				
	Seal Kit ..... 15054				
	Bearing ..... 6308-NRJ				
1970-1955	3 Spd. Trans.:				
	Seal ..... 15041				
	(Speedi-Sleeve) ..... 99149				
	(Speedi-Sleeve/Seal Kit) ..... 480150				
	Seal Kit ..... 15054				
<b>Shift Shaft</b>					
1988-1984	All:				
	Seal ..... 6130				
	(Speedi-Sleeve) ..... 99062				
1981-1974	4 Spd. Warner Trans.:				
	Seal ..... 6130				
	(Speedi-Sleeve) ..... 99062				
1974-1963	4 Spd. Muncie Trans.:				
	Seal ..... 7410				
	(Speedi-Sleeve) ..... 99076				
	(Speedi-Sleeve/Seal Kit) ..... 480074				
1965-1955	O/D Trans.:				
	Seal ..... 6130				
	(Speedi-Sleeve) ..... 99062				
<b>Air Conditioning Clutch</b>					
1995-1962	All:				
	Bearing ..... 5908-VAW				
<b>Air Conditioning Compressor</b>					
1989-1984	All:				
	Bearing ..... B128				

Passenger cars, light & medium trucks

(Cont.) -- Chevrolet (RWD) Corvette, Stingray

MFG./YEAR	MODEL & LOCATION	PART NO.	MFG./YEAR	MODEL & LOCATION	PART NO.
<b>Steering-Power</b>			<b>Steering-Power (Cont.)</b>		
<b>Pitman Shaft</b>			<b>Worm Shaft</b>		
1982-1963	All:		1982-1970	All:	
	Seal	11055		Seal	7415
<b>Pump Shaft</b>			<b>Steering-Standard</b>		
1995-1992	5.7L P Eng.:		<b>Pitman Shaft</b>		
	Seal	7921	1969-1963	All:	
	Bearing	6203-2RSJ		Seal	11055
1995-1990	5.7L J Eng.:		1962-1953	All:	
	Bearing	6203-2RSJ		Seal	11067
1989-1984	All:		<b>Worm Shaft</b>		
	Bearing	6203-2RSJ	1969-1963	All:	
1982-1967	All:			Seal	7415
	Seal	7475			
1966-1963	All:				
	Seal	6765			

**Chevrolet (RWD) Monza, Vega**

<b>Wheel Front</b>			<b>Clutch (Cont.)</b>		
1980-1971	All:		<b>Release</b>		
	Seal	17187	1980-1971	All:	
	Bearing (Inner)	BR6		Bearing Assembly	N1488
	(Set Components)	LM67048/LM67010		(Self-Aligning)	N3068-SA
	Bearing (Outer)	BR1	<b>Transmission-Automatic</b>		
	(Set Components)	LM11749/LM11710	<b>Front Pump</b>		
<b>Wheel Rear</b>			1980-1976	THM200 Trans.:	
1980-1971	All:			Seal	17458
	Seal	13992		(Speedi-Sleeve)	99174
	Bearing	R1563-TAV	1980-1971	THM350 & THM375 Trans.:	
	(Axle Repair Brg. Assy.)	R1563		Seal	18692
				(Speedi-Sleeve)	99187
				(Speedi-Sleeve/Seal Kit)	480187
<b>Pinion</b>			<b>Rear</b>		
1980-1976	7.50" Ring Gear:		1980-1971	All:	
	Seal	15315		Seal	15041
	(Speedi-Sleeve)	99152		(Speedi-Sleeve)	99149
	Bearing (Front)	M86649/M86610		(Speedi-Sleeve/Seal Kit)	480150
	Bearing (Rear)	HM88649/HM88610	<b>Shift Shaft</b>		
1977-1971	6.50" Ring Gear Exc. 74 Vega w/122 (2.0L) Eng.:		1980-1971	All:	
	Seal	15315		Seal	4912
	(Speedi-Sleeve)	99152		(Speedi-Sleeve)	99050
	Bearing (Front)	M86649/M86610		(Speedi-Sleeve/Seal Kit)	480050
	Bearing (Rear)	BR52	<b>Transmission-Manual</b>		
	(Set Components)	M88048/M88010	<b>Countershaft</b>		
<b>Differential</b>			1980-1973	3 Spd. & 4 Spd. Trans.:	
1980-1976	7.50" Ring Gear:			Bearing	[50] C407-Q
	Bearing	BR72	<b>Front</b>		
	(Set Components)	LM501349/LM501314	1980-1973	3 & 4 Spd. w/o 4 Spd. MY-1 Trans.:	
1977-1971	6.50" Ring Gear:			Seal	12363
	Bearing	LM48548/LM48511		(Speedi-Sleeve)	99125
				Seal Kit	15054
				Bearing	6207-ZNRJ
<b>Clutch</b>			1979-1975	5 Spd. Trans.:	
<b>Pilot</b>				Seal	12329
1980-1971	All:			(Speedi-Sleeve)	99125
	Bearing (Bushing)	B656	1977	4 Spd. MY-1 Trans.:	
	(Heavy Duty)	B657		Seal (1.500" Shaft)	11700
				(Speedi-Sleeve) (1.500" Shaft)	99122

(Continued)

**Chevrolet (RWD) Monza, Vega -- (Cont.)**

MFG./YEAR	MODEL & LOCATION	PART NO.	MFG./YEAR	MODEL & LOCATION	PART NO.
<b>Transmission-Manual (Cont.)</b>			<b>Engine (Cont.)</b>		
<b>Front (Cont.)</b>			<b>Timing Cover</b>		
1972-1971	3 Spd. & 4 Spd. Trans.:		1980-1978	151 (2.5L) Eng.:	
	Seal .....	14858		Seal .....	17286
	(Speedi-Sleeve) .....	99149		(Speedi-Sleeve) .....	99176
				(Speedi-Sleeve/Seal Kit) .....	480177
<b>Rear</b>			<b>1980-1978 196 (3.2L) &amp; 231 (3.8L) Eng.:</b>		
1980-1973	3 & 4 Spd. Saginaw Trans.:			Seal Kit .....	144
	Seal .....	15041	<b>1979-1975 8 Cyl. Eng.:</b>		
	(Speedi-Sleeve) .....	99149		Seal .....	17286
	(Speedi-Sleeve/Seal Kit) .....	480150		(Speedi-Sleeve) .....	99176
	Seal Kit .....	15054		(Speedi-Sleeve/Seal Kit) .....	480177
<b>1979-1975 5 Spd. Trans.:</b>			<b>1977-1971 122 (2.0L) &amp; 140 (2.3L) Eng.:</b>		
	Seal .....	15041		Seal .....	14939
	(Speedi-Sleeve) .....	99149		(Speedi-Sleeve) .....	99149
	(Speedi-Sleeve/Seal Kit) .....	480150	<b>Steering-Power</b>		
	Seal Kit .....	15054	<b>Housing</b>		
<b>1972-1971 All:</b>			<b>1980-1971 All:</b>		
	Seal .....	14858		Bearing .....	B148
	(Speedi-Sleeve) .....	99149	<b>Pitman Shaft</b>		
	Bearing .....	6306-J	<b>1980-1971 All:</b>		
<b>Shift Shaft</b>				Seal (Inner) .....	12371
1980-1976	3 Spd. & 4 Spd. Trans.:			Seal (Outer) .....	12355
	Seal .....	7410		Seal Kit .....	12392
	(Speedi-Sleeve) .....	99076	<b>Pump Shaft</b>		
	(Speedi-Sleeve/Seal Kit) .....	480074	<b>1980-1971 All:</b>		
<b>Air Conditioning Clutch</b>				Seal .....	7475
1980-1971	All:		<b>Worm Shaft</b>		
	Bearing .....	5908-VAW	<b>1980 All:</b>		
<b>Air Conditioning Compressor</b>				Seal .....	7905
1980-1976	Radial Comp.:		<b>1979-1971 All:</b>		
	Bearing .....	B128		Seal .....	8660
<b>Alternator</b>			<b>Steering-Standard</b>		
1980-1971	All:		<b>Pitman Shaft</b>		
	Bearing (Front) .....	6203-ZJ	<b>1980-1979 4 Cyl. Eng. w/2nd Design Gear:</b>		
	Bearing (Rear) .....	MNJ471-S		Seal .....	11055
<b>Engine</b>			<b>1980-1976 w/o 4 Cyl. Eng.:</b>		
<b>Camshaft</b>				Seal .....	11055
1977-1971	140 (2.3L) Eng.:		<b>Worm Shaft</b>		
	Seal .....	17286	<b>1980-1976 w/o 4 Cyl. Eng. 1st Design Gear:</b>		
	(Speedi-Sleeve) .....	99176		Seal .....	7481
	(Speedi-Sleeve/Seal Kit) .....	480177	<b>1979-1976 4 Cyl. Eng. w/1st Design Gear:</b>		
1976-1975	122 (2.0L) Eng.:			Seal .....	6130
	Seal .....	12830			
<b>Crankshaft-Rear</b>					
1980-1979	151 (2.5L) Crossflow Eng.:				
	Seal .....	29868			
	(Speedi-Sleeve) .....	99300			
1980-1978	196 (3.2L) & 231 (3.8L) Eng.:				
	Seal Kit .....	191			
1979-1978	151 (2.5L) Exc. Crossflow Eng.:				
	Seal Kit .....	199			
1979-1975	8 Cyl. Eng.:				
	Seal Kit .....	199			

# Passenger cars, light & medium trucks

## Chevrolet APV Lumina APV

MFG./YEAR	MODEL & LOCATION	PART NO.	MFG./YEAR	MODEL & LOCATION	PART NO.
<b>Wheel Front</b>			<b>Alternator</b>		
1995-1992	All:		1995-1992	140 Amp.:	
	Hub Assembly .....	BR930076		Bearing (Rear) .....	DB65093
1991-1990	All:		<b>Engine</b>		
	Seal .....	24097	<b>Crankshaft-Rear</b>		
	Hub Assembly (Kit) .....	BR930022K	1995-1992	231 (3.8L) Eng.:	
<b>Wheel Rear</b>				Seal .....	32289
1995-1992	F.W.D. w/Rr. Drum Brks.:			(Speedi-Sleeve) .....	99328
	Hub Assembly .....	BR930078	1995-1990	189 (3.1L) Eng.:	
1991-1990	All:			Seal .....	29862
	Hub Assembly .....	BR930026		(Speedi-Sleeve) .....	99298
<b>Transaxle-Automatic</b>			<b>Timing Cover</b>		
<b>Front Pump</b>			1995-1992	231 (3.8L) Eng.:	
1995-1990	All:			Seal .....	19387
	Seal .....	17849		(Speedi-Sleeve) .....	99193
<b>Output Shaft</b>			1995-1990	189 (3.1L) Eng.:	
1995-1992	4T60E Transaxle:			Seal .....	17286
	Seal (L.H.) .....	13959		(Speedi-Sleeve) .....	99176
	(Speedi-Sleeve) (L.H.) .....	99139		(Speedi-Sleeve/Seal Kit) .....	480177
	Seal (R.H.) .....	13750	<b>Steering-Power</b>		
	(Speedi-Sleeve) (R.H.) .....	99138	<b>Pump Shaft</b>		
1995-1990	THM125 Transaxle:		1995-1992	207 (3.4L), 211 (3.5L) & 231 (3.8L) Engs.:	
	Seal .....	13750		Seal .....	7475
	(Speedi-Sleeve) .....	99138	1995-1991	189 (3.1L) Eng.:	
<b>Shift Shaft</b>				Bearing .....	6203-2RSJ
1995-1990	All:		1990	All:	
	Seal .....	4912		Bearing .....	6203-2RSJ
	(Speedi-Sleeve) .....	99050			
	(Speedi-Sleeve/Seal Kit) .....	480050			
<b>Air Conditioning Clutch</b>					
1995-1990	All:				
	Bearing .....	5908-VAW			

## Chevrolet/GMC Truck Astro/Safari, Luv, S10 Blazer/S15 Jimmy, S10/S15

<b>Wheel Front (2 W/D)</b>			<b>Wheel Front (4 W/D)</b>		
1995-1985	Astro & Safari w/o ABS:		1995-1994	S Series:	
	Seal .....	19984		Seal .....	21961
	Bearing (Inner) .....	BR6		Hub Assembly .....	BR930064
	(Set Components) .....	LM67048/LM67010	1993-1991	S Series w/ABS:	
	Bearing (Outer) .....	BR3		Seal .....	21961
	(Set Components) .....	M12649/M12610		Hub Assembly .....	BR930064
1995-1985	Astro & Safari w/ABS:		1993-1983	S Series w/o ABS:	
	Seal .....	19784		Seal .....	21961
	Bearing (Inner) .....	BR6		Hub Assembly (Kit) .....	BR930052K
	(Set Components) .....	LM67048/LM67010	1982	Luv:	
	Bearing (Outer) .....	BR3		Seal .....	21064
	(Set Components) .....	M12649/M12610		Bearing (Inner) .....	32008-X
1995-1982	S Series:			Bearing (Outer) .....	BR32007
	Seal .....	19984	1981-1979	Luv:	
	Bearing (Inner) .....	BR6		Seal .....	19630
	(Set Components) .....	LM67048/LM67010		Bearing (Inner) .....	32008-X
	Bearing (Outer) .....	BR34		Bearing (Outer) .....	BR32007
	(Set Components) .....	LM12748/LM12710			(Continued)
1982-1972	Luv:				
	Seal .....	18962			
	Bearing (Inner) .....	BR32206			
	Bearing (Outer) .....	BR32304			

**Chevrolet/GMC Truck Astro/Safari, Luv, S10 Blazer/S15 Jimmy, S10/S15  
-- (Cont.)**

MFG./YEAR	MODEL & LOCATION	PART NO.	MFG./YEAR	MODEL & LOCATION	PART NO.
<b>Wheel Front (4 W/D) (Cont.)</b>			<b>Wheel Rear (Cont.)</b>		
<b>Axle Shaft</b>			1995-1994 S Series w/7.625" Ring Gear & Stamping Code (C):		
1995	S Series:		Seal .....		14002
	Seal .....	12494	Bearing .....	R1563-TAV	
	Bearing (Inner) Needle .....	BH78	(Axle Repair Brg. Assy.) .....	• R1563	
	Bearing (Inner) .....	M86649/M86610	1995-1994 S Series w/7.625" Ring Gear & Stamping Code (K):		
	Bearing (Outer) .....	B2010	Seal .....	13992	
1994	S Series:		Bearing .....	R1563-TAV	
	Seal .....	12494	(Axle Repair Brg. Assy.) .....	• R1563	
	Bearing .....	[2] B2010	1994 S Series w/8.50" Ring Gear:		
1993-1983	S Series w/o Typhoon Pkg. Exc. Syclone:		Seal .....	◇16044	
	Seal .....	12494	(Superseded by:)	16404	
	Bearing (Inner) .....	BH78	Bearing .....	R1559-TV	
	Bearing (Outer) .....	B2010	(Axle Repair Brg. Assy.) .....	• R1559	
1982-1981	Luv 2nd Design:		1993-1992 S Series w/7.625" Ring Gear:		
	Seal .....	22005	Seal .....	14002	
<b>Spindle Hub</b>			Bearing .....	R1563-TAV	
1982-1981	Luv From Ser. 8246066:		(Axle Repair Brg. Assy.) .....	• R1563	
	Bearing Assembly .....	HK2816	1993-1992 S Series w/7.50" Ring Gear & Stamping Code (K):		
1981-1979	Luv From Ser. 8242722 Thru Ser. 8246065:		Seal .....	13992	
	Seal .....	18959	Bearing .....	R1563-TAV	
	Bearing Assembly .....	HK2816	(Axle Repair Brg. Assy.) .....	• R1563	
1979	Luv Thru Ser. 8242721:		1993-1992 S Series w/7.50" Ring Gear & Stamping Code (C):		
	Seal .....	18984	Seal .....	14002	
	Bearing Assembly .....	HK2816	Bearing .....	R1563-TAV	
<b>Wheel Front (A.W.D.)</b>			(Axle Repair Brg. Assy.) .....	• R1563	
1995	Astro & Safari:		1991 7.50" & 7.625" Ring Gears Exc. 4 Door Blazer & Syclone:		
	Seal .....	30772	Seal .....	13992	
	Hub Assembly .....	BR930209	Bearing .....	R1563-TAV	
1994-1990	Astro & Safari:		(Axle Repair Brg. Assy.) .....	• R1563	
	Seal .....	30772	1991 4 Door Blazer & Syclone w/7.625" Ring Gear:		
	Hub Assembly .....	BR930265	Seal .....	14002	
<b>Axle Shaft</b>			Bearing .....	R1563-TAV	
1995-1990	Astro & Safari:		(Axle Repair Brg. Assy.) .....	• R1563	
	Seal .....	12494	1990-1982 S Series:		
	Bearing (Outer) .....	B2010	Seal .....	13992	
<b>Wheel Rear</b>			Bearing .....	R1563-TAV	
1995-1990	Astro & Safari:		(Axle Repair Brg. Assy.) .....	• R1563	
	Seal .....	14393	1989-1985 Astro & Safari w/7.50" Ring Gear:		
	Bearing .....	DK57509	Seal .....	14381	
	(Axle Repair Brg. Assy.) .....	• R57509	Seal (Viton) .....	14387	
1995	S Series w/8.50" Ring Gear & High Wider (ZR2):		Bearing .....	DK57509	
	Seal (.830" Wide Brg.) .....	◇16044	(Axle Repair Brg. Assy.) .....	• R57509	
	(Superseded by:)	16404	1982-1972 Luv:		
	Bearing (.830" Wide Brg.) .....	R1559-TV	Seal (Inner) .....	13445	
	(Axle Repair Brg. Assy. .830" Wd.) .....	• R1559	Seal (Outer) .....	18671	
	Seal (1.024" Wide Brg.) .....	◇16044	Bearing .....	BR30208	
	(Superseded by:)	16404		(Continued)	
	Bearing (1.024" Wide Brg.) .....	DK59047			
	(Axle Repair Brg. Assy. 1.024" Wd.) .....	• R59047			
1995	S Series w/8.50" Ring Gear w/o High Wider (ZR2):				
	Seal (.70" Wide Brg.) .....	◇16044			
	(Superseded by:)	16404			
	Bearing (.70" Wide Brg.) .....	R1563-TAV			
	(Axle Repair Brg. Assy. .70" Wd.) .....	• R1563			
	Seal (1.024" Wide Brg.) .....	◇16044			
	(Superseded by:)	16404			
	Bearing (1.024" Wide Brg.) .....	DK59047			
	(Axle Repair Brg. Assy. 1.024" Wd.) .....	• R59047			



# Passenger cars, light & medium trucks

(Cont.) -- Chevrolet/GMC Truck Astro/Safari, Luv, S10 Blazer/S15 Jimmy, S10/S15

MFG./YEAR	MODEL & LOCATION	PART NO.	MFG./YEAR	MODEL & LOCATION	PART NO.
<b>Pinion</b>			<b>Differential (Cont.)</b>		
<b>Front Axle</b>			<b>Rear Axle (Cont.)</b>		
1995-1990	Astro & Safari w/A.W.D.:		1995-1991	S Series w/7.50", 7.625" & 8.50" Ring Gears:	
	Seal .....	15306		Bearing .....	BR72
	(Speedi-Sleeve) .....	99152		(Set Components) .....	LM501349/LM501314
	Bearing (Front) .....	BR52	1982-1972	Luv:	
	(Set Components) .....	M88048/M88010		Bearing .....	BR35
	Bearing (Rear) .....	M86649/M86610		(Set Components) .....	LM501349/LM501310
1995-1983	S Series:		<b>Clutch</b>		
	Seal .....	15306	<b>Pilot</b>		
	(Speedi-Sleeve) .....	99152	1995-1994	133 (2.2L) Eng.:	
	Bearing (Front) .....	BR52		Bearing (Bushing) .....	B652
	(Set Components) .....	M88048/M88010		(Heavy Duty) .....	B652HD
	Bearing (Rear) .....	M86649/M86610	1995-1985	Astro, Safari & S Series w/262 (4.3L) Eng.:	
1982-1979	Luv:			Bearing .....	B657
	Seal .....	14055	1993-1985	Astro, Safari & S Series w/151 (2.5L) Eng.:	
	(Speedi-Sleeve) .....	99146		Bearing .....	B661
	Bearing (Front) .....	BR30305	1993-1982	S Series w/122 (2.0L), 135 (2.2L) & 173	
	Bearing (Rear) .....	BR02475/BR02420		(2.8L) Eng.:	
<b>Rear Axle</b>				Bearing (Bushing) .....	B652
1995-1994	S Series w/1st Design, 8.50" & 8.625" Ring Gears:			(Heavy Duty) .....	B652HD
	Seal .....	19273	1985-1982	S Series w/119 (1.9L) & 135 (2.2L) Diesel	
	(Speedi-Sleeve) .....	99193		Eng.:	
	Bearing (Front) .....	BR52		Bearing .....	6203-2RSJ
	(Set Components) .....	M88048/M88010	1982-1973	Luv:	
	Bearing (Rear) .....	M802048/M802011		Bearing .....	6203-2RSJ
1995-1982	Astro, Safari & S Series Pickup w/7.500" & 7.625" Ring Gears:		1972	Luv:	
	Seal .....	15315		Bearing .....	6203-ZJ
	(Speedi-Sleeve) .....	99152	<b>Release</b>		
	Bearing (Front) .....	M86649/M86610	1995-1985	All:	
	Bearing (Rear) .....	HM89249/HM89210		Bearing Assembly .....	N4008-SA
1982-1972	Luv:		1984-1982	S Series:	
	Seal .....	15863		Bearing Assembly .....	N1488
	(Speedi-Sleeve) .....	99157	1982-1972	Luv:	
	Bearing (Front) .....	BR30306		Bearing Only .....	N3055
	Bearing (Rear) .....	BR32307	<b>Transfer Case</b>		
<b>Differential</b>			<b>Kit</b>		
<b>Kit</b>			1995	231:	
1995-1983	7.25" Ring Gear:			Transfer Case Kit .....	STCK231-CC
	Standard Seal and Bearing Kit Front .....	SDK320-A	1995-1994	233 Electric Shift:	
1995-1982	7.50" Ring Gear:			Transfer Case Kit .....	STCK231-CC
	Standard Seal and Bearing Kit Rear .....	SDK320	1994-1992	231:	
	Master Seal and Bearing Kit Rear .....	SDK320-MK		Transfer Case Kit .....	STCK231-BB
<b>Front Axle</b>			1993-1992	233 Electric Shift, Extended Cab:	
1995-1985	Astro & Safari w/A.W.D.:			Transfer Case Kit .....	STCK231
	Bearing (Side) .....	BR91	1993-1992	231 Extended Cab:	
	(Set Components) .....	JL69348/JL69310		Transfer Case Kit .....	STCK231
1995-1985	S Series:		1993-1992	233 Electric Shift, Standard Cab:	
	Bearing (Side) .....	BR91		Transfer Case Kit .....	STCK231-BB
	(Set Components) .....	JL69348/JL69310	1993-1992	231 Standard Cab:	
1982-1979	Luv:			Transfer Case Kit .....	STCK231-BB
	Bearing (Inner) .....	BR5	1991-1989	231:	
	(Set Components) .....	LM48548/LM48510		Transfer Case Kit .....	STCK231
<b>Rear Axle</b>			1988-1983	207:	
1995-1985	Astro & Safari:			Transfer Case Kit .....	STCK207
	Bearing .....	BR72	<b>Drive Link Sprocket</b>		
	(Set Components) .....	LM501349/LM501314	1995-1990	Astro & Safari:	
				Bearing .....	6009-J
					(Continued)

**Chevrolet/GMC Truck Astro/Safari, Luv, S10 Blazer/S15 Jimmy, S10/S15  
-- (Cont.)**

MFG./YEAR	MODEL & LOCATION	PART NO.	MFG./YEAR	MODEL & LOCATION	PART NO.
<b>Transfer Case (Cont.)</b>			<b>Transfer Case (Cont.)</b>		
<b>Drive Link Sprocket (Cont.)</b>			<b>Oil Pump</b>		
1995-1991	S Series w/Borg Warner 4472:		1995-1990	Astro & Safari:	
	Bearing .....	6009-J		Seal .....	17502
1995-1988	S Series w/New Process 231C & 233C:			(Speedi-Sleeve) .....	99174
	Bearing .....	[1] B5020	1995-1983	S Series w/New Process 231C & 233C:	
1988-1983	S Series w/New Process 207:			Seal .....	22306
	Bearing .....	HK4020		(Speedi-Sleeve) .....	99225
<b>Front Output Shaft</b>			<b>Rear Output Shaft</b>		
1995	S Series w/New Process 231C & 233C:		1995	S Series w/New Process 231C & 233C:	
	Seal .....	11778		Seal .....	18860
	Bearing (Front) .....	6206-J		Bearing .....	6207-J
	Bearing (Rear) .....	J2416	1995-1992	S Series w/Borg Warner 4472:	
1995-1990	Astro & Safari:			Seal (Extension) .....	18687
	Seal .....	18994		Bearing .....	6307-NR23J
	Bearing (Front) .....	6207-J	1995-1990	Astro & Safari:	
	Bearing (Rear) .....	JH1612		Seal (Extension) .....	14635
1995-1991	S Series w/Borg Warner 4472:		1994-1992	S Series w/231C & 233C Transfer Case w/o	
	Seal .....	18994		Ext. Cab:	
	Bearing (Front) .....	6207-J		Seal .....	18992
	Bearing (Rear) .....	JH1612	1994-1992	S Series w/231C & 233C Transfer Case & Ext.	
1994-1988	S Series w/New Process 231C & 233C:			Cab:	
	Seal .....	15440		Seal .....	15041
	(Speedi-Sleeve) .....	99155		(Speedi-Sleeve) .....	99149
	Bearing (Front) .....	6206-J		(Speedi-Sleeve/Seal Kit) .....	480150
	Bearing (Rear) .....	J2416		Bearing .....	6206-J
1988-1983	S Series w/New Process 207:		1991	4 Door Blazer w/5 Spd. Man. Trans. & Syclone	
	Seal .....	15440		Pkg.:	
	(Speedi-Sleeve) .....	99155		Seal (Extension) .....	15041
	Bearing (Front) .....	6206-J		(Speedi-Sleeve) (Extension) .....	99149
	Bearing (Rear) .....	BH1810		(Speedi-Sleeve) /Seal Kit (Extension) .....	480150
1982-1979	Luv:		1991	Std. Pickup w/Borg Warner 4772 & Syclone	
	Seal .....	15851		Pkg.:	
	(Speedi-Sleeve) .....	99157		Seal (Extension) .....	15041
	Bearing (Front) .....	6206-J		(Speedi-Sleeve) (Extension) .....	99149
	Bearing (Rear) .....	6305-NRJ		(Speedi-Sleeve) /Seal Kit (Extension) .....	480150
<b>Input Shaft</b>			1991-1983	S Series Exc. Syclone Pkg.:	
1995-1988	S Series w/New Process 231C & 233C:			Seal .....	15041
	Seal .....	19255		(Speedi-Sleeve) .....	99149
	(Speedi-Sleeve) .....	99193		(Speedi-Sleeve/Seal Kit) .....	480150
	Bearing (Front) .....	6010-NRJ		Bearing .....	6206-J
	Bearing (Rear) .....	FC66561	1982-1979	Luv:	
1995-1990	Astro & Safari:			Seal .....	14773
	Seal .....	17502		(Speedi-Sleeve) .....	99149
	(Speedi-Sleeve) .....	99174		Bearing (Inner) .....	6307-NRJ
1995-1991	S Series w/Borg Warner 4472:		<b>Transmission-Automatic</b>		
	Seal .....	17502	<b>Front Pump</b>		
	(Speedi-Sleeve) .....	99174	1995-1983	THM700 & 4L60E Trans.:	
1988-1983	S Series w/New Process 207:			Seal Kit .....	17459
	Seal .....	19255		(Speedi-Sleeve) .....	99174
	(Speedi-Sleeve) .....	99193	1984-1976	THM200 Trans.:	
	Bearing (Pilot) .....	BH1810		Seal .....	17458
	Bearing (Washer) .....	TRC3244		(Speedi-Sleeve) .....	99174
<b>Mainshaft</b>			<b>Rear</b>		
1995	S Series w/4 W/D:		1995-1976	THM200, THM700 & 4L60E Trans.:	
	Bearing .....	JH1612		Seal .....	15041
1994-1991	S Series w/Borg Warner 4472:			(Speedi-Sleeve) .....	99149
	Bearing .....	■ 6208-ZNJ		(Speedi-Sleeve/Seal Kit) .....	480150
1991-1988	S Series w/New Process 231C:				(Continued)
	Bearing (Front) .....	BH1810			

# Passenger cars, light & medium trucks

(Cont.) -- Chevrolet/GMC Truck Astro/Safari, Luv, S10 Blazer/S15 Jimmy, S10/S15

MFG./YEAR	MODEL & LOCATION	PART NO.	MFG./YEAR	MODEL & LOCATION	PART NO.
<b>Transmission-Automatic (Cont.)</b>			<b>Transmission-Manual (Cont.)</b>		
<b>Rear (Cont.)</b>			<b>Front</b>		
1987	THM180 Trans.:		1995	5 Spd. New Venture (M50) Trans.:	
	Seal .....	14994		Seal .....	13888
	(Speedi-Sleeve) .....	99149		(Speedi-Sleeve) .....	99139
<b>Shift Shaft</b>				Bearing .....	6307-2RSNRX
1995-1976	All:		1995-1991	S Series w/5 Spd. Trans. 2nd Design Exc. Borg (MY2) & New Venture (M50) Trans.:	
	Seal .....	4912		Seal .....	12363
	(Speedi-Sleeve) .....	99050		(Speedi-Sleeve) .....	99125
	(Speedi-Sleeve/Seal Kit) .....	480050		Bearing .....	BR5
<b>Transmission</b>				(Set Components) .....	LM48548/LM48510
<b>Kit</b>			1994-1990	S Series w/5 Spd. Borg Warner (MY2) Trans.:	
1995	4WD, NV3500/M50 Trans Mfr Code, 5 Speed; Getrag 3rd Design (Standard Ball IS & O/SBrGs.):			Seal .....	13888
	Light Duty Kit .....	STK235-B		(Speedi-Sleeve) .....	99139
<b>Transmission-Manual</b>			1991-1990	S Series w/5 Spd. Trans. 1st Design Exc. Borg (MY2) Trans.:	
<b>Countershaft</b>				Seal .....	12363
1995-1994	S Series w/5 Spd. Borg Warner (MW1) Trans.:			(Speedi-Sleeve) .....	99125
	Bearing (Front) .....	LM67048/LM67010BCE	1989-1988	Astro, Safari & S Series w/4 Spd. & 5 Spd. Trans.:	
	Bearing (Rear) .....	BR6		Seal .....	12363
	(Set Components) .....	LM67048/LM67010		(Speedi-Sleeve) .....	99125
1993	S Series w/5 Spd. Borg Warner (ML3) & (MW1) Trans.:			Bearing .....	BR5
	Bearing (Front) .....	LM67048/LM67010BCE		(Set Components) .....	LM48548/LM48510
	Bearing (Rear) .....	BR6	1987-1982	Astro, Safari & S Series w/5 Spd. Trans.:	
	(Set Components) .....	LM67048/LM67010		Seal .....	12363
1992-1985	S Series w/2nd Design 5 Spd. Borg Warner (MB1), (MB6), (ML2), (ML3) & (MW1) Trans.:			(Speedi-Sleeve) .....	99125
	Bearing (Thrust) .....	DK55836		Bearing .....	BR5
	Bearing (Rear) .....	R1563-TAV		(Set Components) .....	LM48548/LM48510
1989	Astro & Safari w/5 Spd. Trans.:		1987-1982	S Series w/4 Spd. Isuzu Trans.:	
	Bearing (Thrust) .....	DK55836		Seal .....	10661
	Bearing (Rear) .....	R1563-TAV		(Speedi-Sleeve) .....	99106
1989-1982	S Series w/1st Design 5 Spd. Borg Warner (MB1), (MB6), (ML2) & (ML3) Trans.:			Bearing .....	6208-NJ
	Bearing (Front) .....	DK55836	1984-1982	S Series w/4 Spd. Exc. Isuzu Trans. Early Design:	
	Bearing (Rear) .....	R1563-TAV		Seal .....	12363
1988-1985	Astro & Safari w/5 Spd. Trans.:			(Speedi-Sleeve) .....	99125
	Bearing (Front) .....	DK55836		Bearing .....	6208-NJ
	Bearing (Rear) .....	R1563-TAV	1982-1972	Luv:	
1987-1984	2nd Design 4 Spd. Borg Warner (M77) Trans.:			Seal .....	10661
	Bearing (Front) .....	DK55836		(Speedi-Sleeve) .....	99106
	Bearing (Rear) .....	R1563-TAV		Bearing .....	6208-ZNJ
1987-1984	Borg Warner (MC9) Trans.:		<b>Mainshaft Pilot</b>		
	Bearing (Front) .....	DK55836	1995-1982	Astro, Safari & S Series w/4 & 5 Spd. Warner Trans.:	
	Bearing (Rear) .....	R1563-TAV		Bearing .....	[15] QBR23549
1987-1982	S Series w/4 Spd. Isuzu Trans.:		<b>Rear</b>		
	Bearing (Front) .....	6305-NRJ	1995	5 Spd. New Venture (M50) Trans. w/4 W/D:	
1986-1985	Astro & Safari w/4 Spd. Muncie Trans.:			Seal .....	14087
	Bearing (Needle) .....	[108] C407-Q		(Speedi-Sleeve) .....	99147
1982-1981	Luv w/Diesel Eng.:			Bearing (Rear) .....	6307-2RSJ
	Bearing (Rear) .....	6204-2RSJ	1995	5 Spd. New Venture (M50) Trans. w/A.W.D.:	
1980-1976	Luv:			Seal .....	14087
	Bearing (Rear) .....	5205-ANR		(Speedi-Sleeve) .....	99147
				Bearing (Rear) .....	6307-2RSJ
					(Continued)

**Chevrolet/GMC Truck Astro/Safari, Luv, S10 Blazer/S15 Jimmy, S10/S15  
-- (Cont.)**

MFG./YEAR	MODEL & LOCATION	PART NO.	MFG./YEAR	MODEL & LOCATION	PART NO.
<b>Transmission-Manual (Cont.)</b>			<b>Alternator (Cont.)</b>		
<b>Rear (Cont.)</b>			1990-1987 56, 66 & 78 Amp.:		
1995-1990	w/o Borg Warner (MY2) & New Venture (M50) Trans.:		Bearing (Front) .....		6203-2RSJ
	Seal .....	15041	Bearing (Rear) .....		MNJ471-S
	(Speedi-Sleeve) .....	99149	1986-1983 Astro, Safari & S Series:		
	Seal Kit .....	15054	Bearing (Front) .....		6203-2RSJ
	Bearing .....	BR25877/BR25821	Bearing (Rear) .....		MNJ471-S
1994-1990	Borg Warner (MY2) Trans. w/2 W/D:		1982 S Series:		
	Seal .....	14712	Bearing (Front) .....		6203-ZJ
	(Speedi-Sleeve) .....	99147	Bearing (Rear) .....		MNJ471-S
1994-1990	Borg Warner (MY2) Trans. w/4 W/D & A.W.D.:		1982-1981 Luv w/o A/C, Diesel Eng. & 4 W/D:		
	Seal .....	14087	Bearing (Front) .....		6203-2RSJ
	(Speedi-Sleeve) .....	99146	Bearing (Rear) .....		6201-2RSJ
	Bearing .....	6307-2RSNRX	1982-1981 Luv w/Diesel Eng. w/o A/C & 4 W/D:		
1989-1982	Astro, Safari & S Series w/5 Spd. Trans.:		Bearing (Front) .....		6302-2RSJ
	Seal .....	15041	1982-1981 Luv w/A/C, Diesel Eng. & 4 W/D:		
	(Speedi-Sleeve) .....	99149	Bearing (Front) .....		6303-2RSJ
	(Speedi-Sleeve/Seal Kit) .....	480150	1980 Luv w/o A/C & 4 W/D:		
	Seal Kit .....	15054	Bearing (Front) .....		6202-ZJ
	Bearing .....	BR25877/BR25821	Bearing (Rear) .....		6201-2RSJ
1987-1985	Astro & Safari w/4 Spd. Trans.:		1980 Luv w/A/C & 4 W/D:		
	Seal .....	15041	Bearing (Front) .....		6303-2RSJ
	Seal Kit .....	15054	Bearing (Rear) .....		6201-2RSJ
	(Speedi-Sleeve) .....	99149	1979-1975 Luv w/o A/C:		
	(Speedi-Sleeve/Seal Kit) .....	480150	Bearing (Front) .....		6202-ZJ
	Bearing .....	BR25877/BR25821	Bearing (Rear) .....		6201-2RSJ
1987-1982	S Series w/4 Spd. Trans. Exc. Isuzu Trans.:		1979-1975 Luv w/A/C:		
	Seal .....	15041	Bearing (Front) .....		6303-2RSJ
	(Speedi-Sleeve) .....	99149	Bearing (Rear) .....		6201-2RSJ
	(Speedi-Sleeve/Seal Kit) .....	480150	1974-1972 Luv:		
	Seal Kit .....	15054	Bearing (Front) .....		6202-ZJ
	Bearing .....	BR25877/BR25821	Bearing (Rear) .....		6201-2RSJ
1987-1982	S Series w/4 Spd. Isuzu Trans.:		<b>Drive Shaft</b>		
	Seal .....	15041	1995 S Series:		
	(Speedi-Sleeve) .....	99149	Bearing & Support (Rear Shaft) .....		HB88530
	(Speedi-Sleeve/Seal Kit) .....	480150	1993-1991 S Series w/2 Piece Drive Sh.:		
	Seal Kit .....	15054	Bearing & Support .....		HB88532
1982-1979	Luv w/4 W/D:		1993-1991 S Series w/o 2 Piece Drive Sh.:		
	Seal .....	14773	Bearing Only .....		BR88107
	(Speedi-Sleeve) .....	99149	Bearing & Support .....		HB88107-E
	Bearing .....	GRW122	1990-1982 S Series:		
1982-1972	Luv w/o 4 W/D:		Bearing Only .....		BR88107
	Seal .....	13857	Bearing & Support .....		HB88107-E
	(Speedi-Sleeve) .....	99139	1982-1981 Luv w/4 W/D:		
			Bearing .....		HB21
<b>Air Conditioning Clutch</b>			<b>Engine</b>		
1995-1982	Exc. Luv:		<b>Camshaft</b>		
	Bearing .....	5908-VAW	1982-1981 Luv:		
1979-1976	Luv:		Seal .....		14772
	Bearing .....	6006-RSJ	(Speedi-Sleeve) .....		99147
<b>Air Conditioning Compressor</b>			<b>Crankshaft-Rear</b>		
1991-1985	Astro & Safari:		1995-1994 S Series w/134 (2.2L) Eng.:		
	Bearing .....	B128	Seal .....		29862
1991-1982	S Series w/o 2.5L Eng.:		(Speedi-Sleeve) .....		99298
	Bearing .....	B128	1995-1986 262 (4.3L) Eng.:		
<b>Alternator</b>			Seal (Viton) .....		37026
1992-1988	85 & 100 Amp.:		(Speedi-Sleeve) (Viton) .....		99369
	Bearing (Rear) .....	6000-2RSJ	Seal .....		37027
1991	56, 66 & 78 Amp.:		(Speedi-Sleeve) .....		99364
	Bearing (Front) .....	6203-2RSJ			(Continued)

# Passenger cars, light & medium trucks

(Cont.) -- Chevrolet/GMC Truck Astro/Safari, Luv, S10 Blazer/S15 Jimmy, S10/S15

MFG./YEAR	MODEL & LOCATION	PART NO.	MFG./YEAR	MODEL & LOCATION	PART NO.
<b>Engine (Cont.)</b>			<b>Steering-Power</b>		
<b>Crankshaft-Rear (Cont.)</b>			<b>Pitman Shaft</b>		
1993-1986	173 (2.8L) Eng.:		1995	S Series:	
	Seal .....	29862		Seal .....	12371
	(Speedi-Sleeve) .....	99298	1995-1985	Astro & Safari:	
1993-1985	Astro, Safari & S Series w/151 (2.5L) Eng.:			Seal (Inner) .....	12371
	Seal .....	29987		Seal (Outer) .....	12355
1985	Astro & Safari w/260 (4.3L) Eng.:			Seal Kit .....	12392
	Seal Kit .....	199	<b>Pump Shaft</b>		
1985	S Series 173 (2.8L) Eng. w/11mm Thick Seal:		1995-1985	Astro & Safari:	
	Seal .....	29862		Seal .....	7475
	(Speedi-Sleeve) .....	99298	1995-1982	S Series w/o 2.2L Diesel & 151 (2.5L) Gas Eng.:	
1985-1984	Luv & S Series w/Diesel Eng.:			Seal .....	7475
	Seal .....	32304	1993-1985	Astro, Safari & S Series w/151 (2.5L) Eng.:	
	(Speedi-Sleeve) .....	99328		Bearing .....	6203-2RSJ
1985-1982	S Series w/119 (1.9L) Eng.:		1985-1984	S Series w/2.2L Diesel Eng.:	
	Seal .....	32304		Bearing .....	6203-2RSJ
	(Speedi-Sleeve) .....	99328	<b>Worm Shaft</b>		
1984-1983	S Series w/122 (2.0L) Eng. & 11mm Thick Seal:		1995-1982	Astro, Safari & S Series:	
	Seal .....	29862		Seal .....	7905
	(Speedi-Sleeve) .....	99298	<b>Steering-Standard</b>		
1982-1973	Luv w/o Diesel Eng.:		<b>Pitman Shaft</b>		
	Seal .....	32304	1993-1982	Astro, Safari & S Series:	
	(Speedi-Sleeve) .....	99328		Seal .....	12329
<b>Timing Belt Idler</b>			1982-1977	Luv:	
1995	4.3L Eng.:			Seal .....	11086
	Bearing & Housing Assy. ....	VKM900052	1976-1972	Luv:	
1994-1988	4.3L Eng.:			Seal .....	11610
	Bearing & Housing Assy. ....	VKM900006	<b>Worm Shaft</b>		
<b>Timing Cover</b>			1993-1982	Astro, Safari & S Series:	
1995-1985	Astro, Safari & S Series w/122 (2.0L), 151 (2.5L), 173 (2.8L) & 262 (4.3L) Eng.:			Seal .....	7481
	Seal .....	17286	1982-1977	Luv:	
	(Speedi-Sleeve) .....	99176		Seal .....	6622
	(Speedi-Sleeve/Seal Kit) .....	480177	1976-1972	Luv:	
1995-1994	S Series w/133 (2.2L) Eng.:			Seal .....	7220
	Seal .....	17286	<b>Wheel Front</b>		
	(Speedi-Sleeve) .....	99176	1995-1987	All:	
	(Speedi-Sleeve/Seal Kit) .....	480177		Seal .....	19984
1985-1982	S10 w/119 (1.9L) Eng.:			Bearing (Inner) .....	BR6
	Seal .....	19619		(Set Components) .....	LM67048/LM67010
	(Speedi-Sleeve) .....	99196		Bearing (Outer) .....	BR34
1985-1981	Luv & S Series w/Diesel Eng.:			(Set Components) .....	LM12748/LM12710
	Seal .....	32304	<b>Wheel Rear</b>		
	(Speedi-Sleeve) .....	99328	1995-1987	All:	
1982-1972	Luv w/1.8L Eng.:			Seal (Viton) .....	14387
	Seal .....	19619		Seal .....	14381
	(Speedi-Sleeve) .....	99196		Bearing .....	DK57509
				(Axle Repair Brg. Assy.) .....	• R57509

## Chevrolet/GMC Truck LLV (Postal Service)

### Wheel Front

1995-1987	All:	
	Seal .....	19984
	Bearing (Inner) .....	BR6
	(Set Components) .....	LM67048/LM67010
	Bearing (Outer) .....	BR34
	(Set Components) .....	LM12748/LM12710

### Wheel Rear

1995-1987	All:	
	Seal (Viton) .....	14387
	Seal .....	14381
	Bearing .....	DK57509
	(Axle Repair Brg. Assy.) .....	• R57509

(Continued)

**Chevrolet/GMC Truck LLV (Postal Service) -- (Cont.)**

MFG./YEAR	MODEL & LOCATION	PART NO.	MFG./YEAR	MODEL & LOCATION	PART NO.
<b>Pinion</b>			<b>Engine (Cont.)</b>		
1995-1987 All:			<b>Timing Cover</b>		
	Seal .....	15315	1995-1994 134 (2.2L) Eng.:		
	(Speedi-Sleeve) .....	99152		Seal .....	17286
	Bearing (Front) .....	M86649/M86610		(Speedi-Sleeve) .....	99176
	Bearing (Rear) .....	HM89249/HM89210		(Speedi-Sleeve/Seal Kit) .....	480177
<b>Differential</b>			1993-1987 151 (2.5L) Eng.:		
1995-1987 All:				Seal .....	17286
	Bearing .....	BR72		(Speedi-Sleeve) .....	99176
	(Set Components) .....	LM501349/LM501314		(Speedi-Sleeve/Seal Kit) .....	480177
<b>Transmission-Automatic</b>			<b>Steering-Power</b>		
<b>Front Pump</b>			<b>Pump Shaft</b>		
1995-1987 All:			1995-1994 All:		
	Seal .....	18692		Seal .....	7475
	(Speedi-Sleeve) .....	99187	1993-1987 All:		
	(Speedi-Sleeve/Seal Kit) .....	480187		Bearing .....	6203-2RSJ
<b>Rear</b>					
1995-1987 All:					
	Seal .....	14994			
	(Speedi-Sleeve) .....	99149			
<b>Engine</b>					
<b>Crankshaft-Rear</b>					
1995-1994 134 (2.2L) Eng.:					
	Seal .....	29862			
	(Speedi-Sleeve) .....	99298			
1993-1987 151 (2.5L) Eng.:					
	Seal .....	29987			

**Chevrolet/GMC Truck Caballero, Sprint**

<b>Wheel Front</b>			<b>Wheel Rear (Cont.)</b>		
1987-1982 Caballero:			1977-1973 Sprint w/B & O Axles:		
	Seal .....	19984		Seal .....	16735
	Bearing (Inner) .....	BR6		Bearing .....	BR9
	(Set Components) .....	LM67048/LM67010	1977-1971 Sprint w/o B & O Axles:		
	Bearing (Outer) .....	BR34		Seal .....	13992
	(Set Components) .....	LM12748/LM12710		Bearing .....	R1563-TAV
1981-1979 Caballero:				(Axle Repair Brg. Assy.) .....	• R1563
	Seal .....	19984	<b>Pinion</b>		
	Bearing (Inner) .....	BR6	1987-1980 Caballero:		
	(Set Components) .....	LM67048/LM67010		Seal .....	15315
	Bearing (Outer) .....	BR3		(Speedi-Sleeve) .....	99152
	(Set Components) .....	M12649/M12610		Bearing (Front) .....	M86649/M86610
1978-1973 All:				Bearing (Rear) .....	HM89249/HM89210
	Seal .....	19984	1979-1978 Caballero:		
	Bearing (Inner) .....	BR6		Seal .....	15315
	(Set Components) .....	LM67048/LM67010		(Speedi-Sleeve) .....	99152
	Bearing (Outer) .....	BR2		Bearing (Front) .....	M86649/M86610
	(Set Components) .....	LM11949/LM11910		Bearing (Rear) .....	HM89449/HM89410
1972-1971 Sprint:			1977-1973 Sprint:		
	Seal .....	17187		Seal .....	19273
	Bearing (Inner) .....	BR6		(Speedi-Sleeve) .....	99193
	(Set Components) .....	LM67048/LM67010		Bearing (Front) .....	BR52
	Bearing (Outer) .....	BR2		(Set Components) .....	M88048/M88010
	(Set Components) .....	LM11949/LM11910		Bearing (Rear) .....	M802048/M802011
<b>Wheel Rear</b>					
1987-1978 Caballero:					
	Seal .....	13992			
	Bearing .....	R1563-TAV			
	(Axle Repair Brg. Assy.) .....	• R1563			

(Continued)

# Passenger cars, light & medium trucks

## (Cont.) -- Chevrolet/GMC Truck Caballero, Sprint

MFG./YEAR	MODEL & LOCATION	PART NO.	MFG./YEAR	MODEL & LOCATION	PART NO.
<b>Pinion (Cont.)</b>			<b>Transmission-Automatic (Cont.)</b>		
<b>1972-1971 Sprint w/10 Bolt Cvr.:</b>			<b>Front Pump (Cont.)</b>		
	Seal	15315	<b>1984-1971 w/o THM200 &amp; THM400 Trans.:</b>		
	(Speedi-Sleeve)	99152		Seal	18692
	Bearing (Front)	M86649/M86610		(Speedi-Sleeve)	99187
	Bearing (Rear)	HM89449/HM89410		(Speedi-Sleeve/Seal Kit)	480187
<b>1972-1971 Sprint w/12 Bolt Cvr.:</b>			<b>1977-1971 THM400 Trans.:</b>		
	Seal	17190		Seal	18992
	(Speedi-Sleeve)	99170	<b>Rear</b>		
	Bearing (Front)	BR52	<b>1987-1971 All:</b>		
	(Set Components)	M88048/M88010		Seal	15041
	Bearing (Rear)	M802048/M802011		(Speedi-Sleeve)	99149
				(Speedi-Sleeve/Seal Kit)	480150
<b>Differential</b>			<b>Shift Shaft</b>		
<b>1987-1978 Caballero:</b>			<b>1985-1975 All:</b>		
	Bearing	BR72		Seal	4912
	(Set Components)	LM501349/LM501314		(Speedi-Sleeve)	99050
<b>1977-1976 Sprint w/7.50" &amp; 8.50" Ring Gears:</b>				(Speedi-Sleeve/Seal Kit)	480050
	Bearing	BR72	<b>Transmission-Manual</b>		
	(Set Components)	LM501349/LM501314	<b>Countershaft</b>		
<b>1977-1972 Sprint w/8.75" &amp; 8.875" Ring Gears:</b>			<b>1981-1971 All:</b>		
	Bearing	BR36		Bearing	C407-Q
	(Set Components)	LM603049/LM603012		Bearing (Thrust)	NTA2031
<b>1971 Sprint:</b>			<b>Front</b>		
	Bearing	BR72	<b>1981-1971 3 Spd. Trans.:</b>		
	(Set Components)	LM501349/LM501314		Seal	12363
<b>Kit</b>				(Speedi-Sleeve)	99125
<b>1987-1982 7.50" Ring Gear:</b>				Bearing	6207-ZNRJ
	Standard Seal and Bearing Kit Rear	SDK320	<b>1979-1978 4 Spd. Trans.:</b>		
	Master Seal and Bearing Kit Rear	SDK320-MK		Seal	12363
<b>Clutch</b>				(Speedi-Sleeve)	99125
<b>Pilot</b>			<b>1974-1971 4 Spd. Muncie Trans.:</b>		
<b>1981-1971 All:</b>				Seal	12363
	Bearing (Bushing)	B656		(Speedi-Sleeve)	99125
	(Heavy Duty)	B657		Bearing	307-VSP82
<b>Release</b>			<b>1974-1971 4 Spd. Saginaw Trans.:</b>		
<b>1987-1978 Caballero w/o 305 (5.0L) Eng.</b>				Seal	12363
	Bearing Assembly	▲ N1488		(Speedi-Sleeve)	99125
	(Heavy Duty)	N4068	<b>Mainshaft Pilot</b>		
<b>1979-1978 Caballero w/305 (5.0L) Eng.:</b>			<b>1974-1971 4 Spd. Muncie Trans.:</b>		
	Bearing Only	N1085		Bearing	JV44-1419
	Bearing Assembly	N1086-SA	<b>Rear</b>		
<b>1977-1976 Sprint w/8 Cyl. Eng.:</b>			<b>1981-1971 3 Spd. Trans.:</b>		
	Bearing Assembly	▲ N1488		Seal	15041
	(Heavy Duty)	N4068		(Speedi-Sleeve)	99149
<b>1977-1971 Sprint w/6 Cyl. Eng.:</b>				(Speedi-Sleeve/Seal Kit)	480150
	Bearing Only	N1085		Seal Kit	15054
	Bearing Assembly	N1086-SA	<b>1979-1978 4 Spd. Trans.:</b>		
<b>1975-1971 Sprint w/8 Cyl. Eng. Exc. 350 (5.7L) Eng.:</b>				Seal	15041
	Bearing Assembly	▲ N1488		(Speedi-Sleeve)	99149
	(Heavy Duty)	N4068		(Speedi-Sleeve/Seal Kit)	480150
<b>1975-1971 Sprint w/350 (5.7L) Eng.:</b>				Seal Kit	15054
	Bearing Only	N1085	<b>1974-1971 4 Spd. Muncie Trans.:</b>		
	Bearing Assembly	N1086-SA		Seal	18992
<b>Transmission-Automatic</b>				Seal & Bushing Kit	18998
<b>Front Pump</b>				Bearing	6308-NRJ
<b>1987 THM200 Trans.:</b>			(Continued)		
	Seal	17458			
	(Speedi-Sleeve)	99174			
<b>1986-1978 THM200 Trans.:</b>					
	Seal	17458			
	(Speedi-Sleeve)	99174			

**Chevrolet/GMC Truck Caballero, Sprint -- (Cont.)**

MFG./YEAR	MODEL & LOCATION	PART NO.	MFG./YEAR	MODEL & LOCATION	PART NO.
<b>Transmission-Manual (Cont.)</b>			<b>Engine (Cont.)</b>		
<b>Rear (Cont.)</b>			<b>Timing Cover</b>		
<b>1974-1971 4 Spd. Saginaw Trans.:</b>			<b>1987-1978 w/o 231 (3.8L) Gas &amp; 350 (5.7L) Diesel Eng.:</b>		
	Seal .....	15041		Seal .....	17286
	(Speedi-Sleeve) .....	99149		(Speedi-Sleeve) .....	99176
	(Speedi-Sleeve/Seal Kit) .....	480150		(Speedi-Sleeve/Seal Kit) .....	480177
	Seal Kit .....	15054	<b>1984-1983 350 (5.7L) Diesel Eng.:</b>		
<b>Shift Shaft</b>				Seal .....	19887
<b>1981-1976 3 Spd. Trans. w/2nd &amp; 3rd Spd. Sh.:</b>				(Speedi-Sleeve) .....	99199
	Seal .....	7410	<b>1984-1978 231 (3.8L) Eng.:</b>		
	(Speedi-Sleeve) .....	99076		Seal Kit .....	144
	(Speedi-Sleeve/Seal Kit) .....	480074	<b>1977-1971 w/o 400, 402 &amp; 454 Eng.:</b>		
<b>1974-1971 4 Spd. Muncie Trans.:</b>				Seal .....	17286
	Seal .....	7410		(Speedi-Sleeve) .....	99176
	(Speedi-Sleeve) .....	99076		(Speedi-Sleeve/Seal Kit) .....	480177
	(Speedi-Sleeve/Seal Kit) .....	480074	<b>1976-1974 400 Eng.:</b>		
<b>Air Conditioning Clutch</b>				Seal .....	17286
<b>1987-1972 All:</b>				(Speedi-Sleeve) .....	99176
	Bearing .....	5908-VAW		(Speedi-Sleeve/Seal Kit) .....	480177
<b>Air Conditioning Compressor</b>			<b>1975-1971 454 Eng.:</b>		
<b>1987-1976 All:</b>				Seal .....	23300
	Bearing .....	B128		(Speedi-Sleeve) .....	99233
<b>Alternator</b>				(Speedi-Sleeve/Seal Kit) .....	480233
<b>1987 w/o 70 &amp; 85 Amp.:</b>			<b>1972-1971 400 &amp; 402 Eng.:</b>		
	Bearing (Front) .....	6203-2RSJ		Seal .....	23300
	Bearing (Rear) .....	MNJ471-S		(Speedi-Sleeve) .....	99233
<b>1987-1980 70 &amp; 85 Amp.:</b>				(Speedi-Sleeve/Seal Kit) .....	480233
	Bearing (Front) .....	6203-2RSJ	<b>Steering-Power</b>		
	Bearing (Rear) .....	BA608	<b>Pitman Shaft</b>		
<b>1986-1978 w/o 70 &amp; 85 Amp.:</b>			<b>1987-1971 800 Gear:</b>		
	Bearing (Front) .....	6203-ZJ		Seal (Inner) .....	12371
	Bearing (Rear) .....	MNJ471-S		Seal (Outer) .....	12355
<b>1977-1972 Sprint:</b>				Seal Kit .....	12392
	Bearing (Front) .....	6203-ZJ	<b>1983-1978 Caballero w/605 Gear:</b>		
	Bearing (Rear) .....	MNJ471-S		Seal .....	11143
<b>1971 Sprint:</b>				Bearing .....	B1816
	Bearing (Front) .....	6203-RSJ	<b>Pump Shaft</b>		
	Bearing (Rear) .....	MNJ471-S	<b>1986-1971 All:</b>		
<b>Engine</b>				Seal .....	7475
<b>Crankshaft-Rear</b>			<b>Worm Shaft</b>		
<b>1987-1986 All:</b>			<b>1987-1979 800 Gear 2nd Design:</b>		
	Seal (Viton) .....	37026		Seal .....	7905
	(Speedi-Sleeve) (Viton) .....	99369	<b>1983-1978 605 Gear:</b>		
	Seal .....	37027		Seal .....	8648
	(Speedi-Sleeve) .....	99364	<b>1979-1971 800 Gear 1st Design:</b>		
<b>1985-1978 w/o 231 (3.8L) Gas &amp; 350 (5.7L) Diesel Eng.:</b>				Seal .....	8660
	Seal Kit .....	199		Bearing .....	B148
<b>1984-1978 231 (3.8L) Gas &amp; 350 (5.7L) Diesel Eng.:</b>			<b>Steering-Standard</b>		
	Seal Kit .....	191	<b>Pitman Shaft</b>		
<b>1977-1971 w/o 400, 402 &amp; 454 Eng.:</b>			<b>1981-1971 All:</b>		
	Seal Kit .....	199		Seal .....	11055
<b>1976-1974 400 Eng.:</b>			<b>Worm Shaft</b>		
	Seal Kit .....	199	<b>1981-1971 All:</b>		
<b>1975-1971 454 Eng.:</b>				Seal .....	7481
	Seal Kit .....	216			
<b>1972-1971 400 &amp; 402 Eng.:</b>					
	Seal Kit .....	216			



# Passenger cars, light & medium trucks

## Chevrolet/GMC Truck Full Size Vans, Beauville, Caravan, Chevy Van, Gaucho, GMC Van, Gypsy, 1/2 ton van, G10, G15, 3/4 ton van, G20, G25, 1 ton van, G30, G35

MFG./YEAR	MODEL & LOCATION	PART NO.	MFG./YEAR	MODEL & LOCATION	PART NO.
<b>Wheel Front</b>			<b>Wheel Front (Cont.)</b>		
1995-1992	G30 & G35:		1976-1973	G20 & G25 w/110" W.B.:	
	Seal .....	21756		Seal .....	19984
	Bearing (Inner) .....	BR35		Bearing (Inner) .....	BR6
	(Set Components) .....	LM501349/LM501310		(Set Components) .....	LM67048/LM67010
	Bearing (Outer) .....	15103-S/BR15243		Bearing (Outer) .....	BR2
	(Set Components) .....	M12649/M12610		(Set Components) .....	LM11949/LM11910
1995-1993	G20 & G25 w/Gas Eng. & (JB5) Brks.:		1972-1971	G10 & G15 w/Drum Brks.:	
	Seal .....	19784		Seal .....	19757
	Bearing (Inner) .....	BR5		Bearing (Inner) .....	BR5
	(Set Components) .....	LM48548/LM48510		(Set Components) .....	LM48548/LM48510
	Bearing (Outer) .....	BR3		Bearing (Outer) .....	BR2
	(Set Components) .....	M12649/M12610		(Set Components) .....	LM11949/LM11910
1995-1993	G10 & G15 w/Modified Suspension:		1972-1971	G20 & G25 w/Disc Brks. Exc. 110" W.B.:	
	Seal .....	21756		Seal .....	21771
	Bearing (Inner) .....	BR5		Bearing (Inner) .....	BR2777/BR2720
	(Set Components) .....	LM48548/LM48510		Bearing (Outer) .....	BR3
	Bearing (Outer) .....	BR3		(Set Components) .....	M12649/M12610
	(Set Components) .....	M12649/M12610	1972-1971	G30 & G35 w/Disc Brks.:	
1995-1993	G10 & G15 w/o Modified Suspension:			Seal .....	21771
	Seal .....	19784		Bearing (Inner) .....	BR35
	Bearing (Inner) .....	BR5		(Set Components) .....	LM501349/LM501310
	(Set Components) .....	LM48548/LM48510		Bearing (Outer) .....	15103-S/BR15243
	Bearing (Outer) .....	BR3	1972-1971	G30 & G35 w/Drum Brks.:	
	(Set Components) .....	M12649/M12610		Seal .....	21771
1995-1992	G20 & G25 w/Diesel Eng. & (JD5) Brks.:			Bearing (Inner) .....	BR2777/BR2720
	Seal .....	21756		Bearing (Outer) .....	BR3
	Bearing (Inner) .....	BR35		(Set Components) .....	M12649/M12610
	(Set Components) .....	LM501349/LM501310	1972-1967	G20 & G25 w/Drum Brks.:	
	Bearing (Outer) .....	BR1779/BR1729		Seal .....	19757
1992-1979	G10 & G15:			Bearing (Inner) .....	BR6
	Seal .....	19984		(Set Components) .....	LM67048/LM67010
	Bearing (Inner) .....	BR5		Bearing (Outer) .....	BR2
	(Set Components) .....	LM48548/LM48510		(Set Components) .....	LM11949/LM11910
	Bearing (Outer) .....	BR3	1970-1964	G10 & G15:	
	(Set Components) .....	M12649/M12610		Seal .....	17187
1992-1977	G20 & G25 w/Gas Eng. & (JB5) Brks. w/o ABS:			Bearing (Inner) .....	BR6
	Seal .....	19984		(Set Components) .....	LM67048/LM67010
	Bearing (Inner) .....	BR5		Bearing (Outer) .....	BR2
	(Set Components) .....	LM48548/LM48510		(Set Components) .....	LM11949/LM11910
	Bearing (Outer) .....	BR3	<b>Wheel Rear</b>		
	(Set Components) .....	M12649/M12610	1995-1983	G20, G25, G30 & G35 w/10.50" Ring Gear:	
1992-1977	G20 & G25 w/Gas Eng., (JB5) Brks. & ABS:			Seal .....	28426
	Seal .....	19784		Seal Kit .....	28446
	Bearing (Inner) .....	BR5		Bearing (Inner) .....	387-AS/382-A
	(Set Components) .....	LM48548/LM48510		Bearing (Outer) .....	BR38
	Bearing (Outer) .....	BR3		(Set Components) .....	LM104949/LM104911
	(Set Components) .....	M12649/M12610	1995-1971	G10, G15, G20 & G25 w/8.50" Ring Gear:	
1991-1983	G20 & G25 w/Diesel Eng. & (JD5) Brks.:			Seal .....	16044
	Seal .....	21771		(Superseded by): .....	16404
	Bearing (Inner) .....	BR35		Bearing .....	R1559-TV
	(Set Components) .....	LM501349/LM501310		(Axle Repair Brg. Assy.) .....	• R1559
	Bearing (Outer) .....	BR1779/BR1729	1991-1983	G30 & G35 w/9.50" Ring Gear:	
1991-1973	G30 & G35:			Seal .....	17053
	Seal .....	21771		Bearing .....	R1561-TV
	Bearing (Inner) .....	BR35		(Axle Repair Brg. Assy.) .....	• R1561-G
	(Set Components) .....	LM501349/LM501310			(Continued)
	Bearing (Outer) .....	15103-S/BR15243			
1978-1971	G10 & G15 w/Disc Brks.:				
	Seal .....	19984			
	Bearing (Inner) .....	BR6			
	(Set Components) .....	LM67048/LM67010			
	Bearing (Outer) .....	BR2			
	(Set Components) .....	LM11949/LM11910			

**Chevrolet/GMC Truck Full Size Vans, Beauville, Caravan, Chevy Van, Gaucho, GMC Van, Gypsy, 1/2 ton van, G10, G15, 3/4 ton van, G20, G25, 1 ton van, G30, G35 -- (Cont.)**

MFG./YEAR	MODEL & LOCATION	PART NO.	MFG./YEAR	MODEL & LOCATION	PART NO.
<b>Wheel Rear (Cont.)</b>			<b>Pinion (Cont.)</b>		
1984-1975	G20 & G25 w/10.50" Ring Gear:		1991-1985	G30 & G35 w/10.50" Dana Ring Gear:	
	Seal	28426		Seal	18891
	(Speedi-Sleeve/Seal Kit)	28446		(Speedi-Sleeve)	99187
	Bearing (Inner)	387-AS/382-A		Bearing (Front)	HM88542/HM88510
	Bearing (Outer)	BR38		Bearing (Pilot)	HM803149/HM803110
	(Set Components)	LM104949/LM104911		Bearing (Rear)	HM807040/HM807010
1982-1973	G30 & G35:		1991-1974	G30 & G35 w/9.75" Ring Gear:	
	Seal	28426		Seal	18891
	(Speedi-Sleeve/Seal Kit)	28446		(Speedi-Sleeve)	99187
	Bearing (Inner)	387-AS/382-A		Bearing (Front)	HM88542/HM88510
	Bearing (Outer)	BR38		Bearing (Rear)	HM803146/HM803110
	(Set Components)	LM104949/LM104911	1984	G30 & G35 w/10.50" Ring Gear w/o Spicer Axles, 4.10 & 4.56 Ratios:	
1972-1971	G30 & G35:			Seal	18891
	Seal	28426		(Speedi-Sleeve)	99187
	(Speedi-Sleeve/Seal Kit)	28446		Bearing (Front)	HM88542/HM88510
	Bearing (Inner)	387-AS/382-A		Bearing (Rear)	HM803149/HM803110
	Bearing (Outer)	BR38	1984-1979	G30 & G35 w/10.50" Ring Gear, 4.10 & 4.56 Ratios:	
	(Set Components)	LM104949/LM104911		Seal	18891
1972-1964	G10 & G15 w/HO24 Axle:			(Speedi-Sleeve)	99187
	Seal	13992		Bearing (Front)	HM88542/HM88510
	Bearing	R1563-TAV		Bearing (Rear)	BR3767/BR3730
	(Axle Repair Brg. Assy.)	R1563	1984-1973	G30 & G35 w/Spicer Axle & 10.50" Ring Gear w/o 4.10 & 4.56 Ratios:	
1972-1964	G10 & G15 w/HO31 & HO35 Axles:			Seal	18891
	Seal	16044		(Speedi-Sleeve)	99187
	(Superseded by:)	16404		Bearing (Front)	HM88542/HM88510
	Bearing	R1559-TV		Bearing (Rear)	HM807040/HM807010
	(Axle Repair Brg. Assy.)	R1559	1982-1978	G20, G25, G30 & G35 w/10.50" Ring Gear w/o Spicer Axles, 4.10 & 4.56 Ratios:	
1970-1967	G20 & G25 w/HO31 & HO35 Axles:			Seal	21955
	Seal	16044		(Speedi-Sleeve)	99220
	(Superseded by:)	16404		Bearing (Front)	M802048/M802011
	Bearing	R1559-TV		Bearing (Pilot)	R1581-TV
	(Axle Repair Brg. Assy.)	R1559		Bearing (Rear)	HM803149/HM803110
<b>Pinion</b>			1981-1973	G10, G15, G20 & G25 w/8.875" Ring Gear:	
1995-1991	G30 & G35 w/10.50" Saginaw Ring Gear:			Seal	17190
	Seal	21955		(Speedi-Sleeve)	99170
	(Speedi-Sleeve)	99220		Bearing (Front)	BR52
	Bearing (Front)	M802048/M802011		(Set Components)	M88048/M88010
	Bearing (Pilot)	R1581-TV		Bearing (Rear)	HM89449/HM89410
	Bearing (Rear)	HM903249/HM903210	1972-1971	G30 & G35:	
1995-1985	G30 & G35 w/9.50" Ring Gear:			Seal	25970
	Seal	19314		(Speedi-Sleeve)	99259
	(Speedi-Sleeve)	99193		Bearing (Front)	A1011
	Bearing (Front)	HM88649/HM88610		Bearing (Rear)	M5205-UV
	Bearing (Rear)	HM804846/HM804810	1972-1964	G10 & G15 w/HO24 Axle:	
1995-1983	G20 & G25:			Seal	15315
	Seal	19273		(Speedi-Sleeve)	99152
	(Speedi-Sleeve)	99193		Bearing (Front)	M86649/M86610
	Bearing (Front)	BR52		Bearing (Rear)	HM89449/HM89410
	(Set Components)	M88048/M88010			(Continued)
	Bearing (Rear)	M802048/M802011			
1995-1975	G10 & G15 w/8.50" Ring Gear:				
	Seal	19273			
	(Speedi-Sleeve)	99193			
	Bearing (Front)	BR52			
	(Set Components)	M88048/M88010			
	Bearing (Rear)	M802048/M802011			

## Passenger cars, light & medium trucks

(Cont.) -- Chevrolet/GMC Truck Full Size Vans, Beauville, Caravan, Chevy Van, Gaucho, GMC Van, Gypsy, 1/2 ton van, G10, G15, 3/4 ton van, G20, G25, 1 ton van, G30, G35

MFG./YEAR	MODEL & LOCATION	PART NO.	MFG./YEAR	MODEL & LOCATION	PART NO.
<b>Pinion (Cont.)</b>			<b>Clutch (Cont.)</b>		
1972-1964	G10, G15, G20, & G25 w/H031 & H035 Axles:		<b>Release</b>		
	Seal .....	17190	1990-1985	All:	
	(Speedi-Sleeve) .....	99170		Bearing Assembly .....	N3068-SA
	Bearing (Front) .....	BR52	1984-1973	250 Eng. w/11" Clutch:	
	(Set Components) .....	M88048/M88010		Bearing Assembly .....	▲ N1488
	Bearing (Rear) .....	HM89449/HM89410		(Heavy Duty) .....	N4068
<b>Differential</b>			1984-1973	w/o 250 Eng. w/10" Clutch:	
1995-1992	G20, G25, G30 & G35 w/10.50" Ring Gear:			Bearing Assembly .....	▲ N1488
	Bearing .....	387-AS/382-A		(Heavy Duty) .....	N4068
1995-1983	G30 & G35 w/9.50" Ring Gear w/o Dual Whls.:		1975-1973	250 Eng. w/10" Clutch:	
	Bearing .....	BR42		Bearing Only .....	N1085
	(Set Components) .....	JLM506849A/JLM506811		Bearing Assembly .....	N1086-SA
1995-1975	G10, G15, G20 & G25 w/8.50" Ring Gear:		1972-1969	8 Cyl. Eng. 2nd Design:	
	Bearing .....	BR72		Bearing Assembly .....	▲ N1488
	(Set Components) .....	LM501349/LM501314		(Heavy Duty) .....	N4068
1991-1988	G30 & G35 w/10.50" Ring Gear, Dual Whls. & 7.4L Eng.:		1972-1966	250 Eng. w/11" Clutch:	
	Bearing .....	BR469/453-X		Bearing Assembly .....	▲ N1488
1990-1974	G30 & G35 w/Dual Whls. & Spicer Axle:			(Heavy Duty) .....	N4068
	Bearing .....	387-A/382-S	1972-1966	250 Eng. w/10" Clutch:	
1990-1974	G30 & G35 w/9.50" & 9.75" Ring Gears:			Bearing Only .....	N1085
	Bearing .....	387-A/382-S		Bearing Assembly .....	N1086-SA
1990-1974	G30 & G35 w/10.50" Ring Gear, 5.7L & 6.2L Engs:		1969-1967	8 Cyl. Eng. 1st Design:	
	Bearing .....	387-A/382-S		Bearing Only .....	N1085
1984-1978	G20, G25, G30 & G35 w/10.50" Ring Gear w/o Spicer Axles:			Bearing Assembly .....	N1086-SA
	Bearing .....	387-AS/382-A	1969-1964	4 & 6 Cyl. Eng. Exc. 250 Eng. w/11" Clutch:	
1981-1973	G10, G15, G20 & G25 w/8.875" Ring Gear:			Bearing Only .....	N1085
	Bearing .....	BR36		Bearing Assembly .....	N1086-SA
	(Set Components) .....	LM603049/LM603012	<b>Transmission-Automatic</b>		
1972-1971	G30 & G35 w/Disc Brks.:		<b>Front Pump</b>		
	Bearing .....	KD11786-Y	1995-1992	4L80E Trans.:	
	(Set Components) .....	388-A/BR382		Seal .....	19939
1972-1964	G10, G15, G20 & G25 w/H024, H031 & H035 Axles:		1995-1983	THM700 & 4L60E Trans.:	
	Bearing .....	BR36		Seal Kit .....	17459
	(Set Components) .....	LM603049/LM603012		(Speedi-Sleeve) .....	99174
1971	G30 & G35 w/Drum Brks.:		1992-1964	w/o THM700 Trans.:	
	Bearing .....	BR72		Seal .....	18692
	(Set Components) .....	LM501349/LM501314		(Speedi-Sleeve) .....	99187
<b>Kit</b>				(Speedi-Sleeve/Seal Kit) .....	480187
1995-1988	10.50" 2nd Design Ring Gear:		<b>Rear</b>		
	Standard Seal and Bearing Kit Rear .....	SDK325-A	1995-1992	G20, G25, G30 & G35 w/4L80E Trans.:	
	Master Seal and Bearing Kit Rear .....	SDK325-AMK		Seal .....	18860
1995-1980	9.50" Ring Gear:		1995-1964	w/o 4L80E, THM400 & THM475 Trans.:	
	Standard Seal and Bearing Kit Rear .....	SDK324		Seal .....	15041
1991-1980	Dana 60 Axle:			(Speedi-Sleeve) .....	99149
	Standard Seal and Bearing Kit Rear .....	SDK331		(Speedi-Sleeve/Seal Kit) .....	480150
1988-1973	10.50" 1st Design Ring Gear:		1992-1985	THM400 & THM475 Trans.:	
	Standard Seal and Bearing Kit Rear .....	SDK325		Seal (1.500" Shaft) .....	15041
1981-1964	8.875" Ring Gear:			(Speedi-Sleeve) (1.500" Shaft) .....	99149
	Standard Seal and Bearing Kit Rear .....	SDK322		(Speedi-Sleeve) /Seal Kit (1.50" Sh. ) .....	480150
				Seal (1.886" Shaft) .....	18992
<b>Clutch</b>			1984-1979	THM400 & THM475 Trans.:	
<b>Pilot</b>				Seal .....	18992
1995-1964	All:		1978-1973	THM475 Trans.:	
	Bearing .....	B657		Seal .....	21111
				(Speedi-Sleeve) .....	99212
			1978-1970	THM400 Trans.:	
				Seal .....	16871
				(Speedi-Sleeve) .....	99168

(Continued)

**Chevrolet/GMC Truck Full Size Vans, Beauville, Caravan, Chevy Van, Gaucho, GMC Van, Gypsy, 1/2 ton van, G10, G15, 3/4 ton van, G20, G25, 1 ton van, G30, G35 -- (Cont.)**

MFG./YEAR	MODEL & LOCATION	PART NO.	MFG./YEAR	MODEL & LOCATION	PART NO.
<b>Transmission-Automatic (Cont.)</b>			<b>Transmission-Manual (Cont.)</b>		
<b>Shift Shaft</b>			<b>Front (Cont.)</b>		
1995-1969 All:			1982-1976 3 Spd. Tremac Trans.:		
Seal		4912	Seal		11123
(Speedi-Sleeve)		99050	(Speedi-Sleeve)		99112
(Speedi-Sleeve/Seal Kit)		480050	Bearing		208-NRJ
<b>Speedometer Drive</b>			1975-1964 3 Spd. Muncie Trans.:		
1988-1976 All:			Seal		
Seal		4010	(Speedi-Sleeve)		12363
<b>Transmission</b>			Bearing		
<b>Kit</b>			1970-1967 4 Spd. Warner T10 Trans.:		
1987-1986	RWD, CH465/MC9 Trans Mfr Code, 4 Speed; 10 Bolt Side Cover, Case 10-5/8" Long	Overall:	Seal		
Light Duty Kit		STK157	(Speedi-Sleeve)		15041
1981-1976	RWD, CH465/MC9 Trans Mfr Code, 4 Speed; 10 Bolt Side Cover, Case 10-5/8" Long	Overall:	(Speedi-Sleeve)		
Light Duty Kit		STK157	(Speedi-Sleeve/Seal Kit)		
1974-1971	4WD, SM465/M21 Trans Mfr Code, 4 Speed; 10 Bolt Side Cover, Case 10-5/8" Long	Overall:	Seal Kit		
Light Duty Kit		STK157	Bearing		
1974-1971	4WD, SM465/M20 Trans Mfr Code, 4 Speed; 10 Bolt Side Cover, Case 10-5/8" Long	Overall:	1990-1985 4 Spd. Muncie Trans.:		
Light Duty Kit		STK157	Bearing		
1974-1971	RWD, CH465/MC9 Trans Mfr Code, 4 Speed; 10 Bolt Side Cover, Case 10-5/8" Long	Overall:	[17] QAR34604		
Light Duty Kit		STK157	1988-1983 4 Spd. New Process Trans.:		
1972-1967	RWD, NP435 Trans Mfr Code, 4 Speed; With Taper I/S Brg.:	Overall:	Bearing		
Light Duty Kit		STK127	[16] QBR23549		
1972-1967	4WD, NP435 Trans Mfr Code, 4 Speed; With Taper I/S Brg.:	Overall:	1967-1964 3 Spd. Muncie Trans. w/o H.D.:		
Light Duty Kit		STK127	Bearing (Front)		
1972-1967	4WD, NP435 Trans Mfr Code, 4 Speed; With Ball I/S Brg.:	Overall:	[14] C1110-Q		
Light Duty Kit		STK127-G	1967-1964 3 Spd. H.D. Muncie Trans.:		
1972-1967	RWD, NP435 Trans Mfr Code, 4 Speed; With Ball I/S Brg.:	Overall:	Bearing		
Light Duty Kit		STK127-G	[14] Q15902		
<b>Transmission-Manual</b>			<b>Rear</b>		
<b>Countershaft</b>			1990-1983 4 Spd. New Process Trans.:		
1989-1985 4 Spd. Muncie Trans.:			Seal		
Bearing (Front)		R1563-TAV	15041		
Bearing (Rear)		6308-NRJ	Seal Kit		
1987-1964 3 Spd. Muncie & Saginaw Trans. w/o H.D. Trans.:		Overall:	(Speedi-Sleeve)		
Bearing		C407-Q	99149		
<b>Front</b>			(Speedi-Sleeve/Seal Kit)		
1990-1983 4 Spd. New Process Trans.:			480150		
Seal		12363	Seal Kit		
(Speedi-Sleeve)		99125	15054		
1987-1964 3 Spd. Saginaw Trans.:		Overall:	Bearing		
Seal		12363	6308-NRJ		
(Speedi-Sleeve)		99125	1987-1964 3 Spd. Saginaw Trans.:		
Bearing		6207-ZNRJ	Seal		
			(Speedi-Sleeve)		
			99149		
			(Speedi-Sleeve/Seal Kit)		
			480150		
			Seal Kit		
			15054		
			Bearing		
			208-NRJ		
			(Continued)		

## Passenger cars, light & medium trucks

(Cont.) -- Chevrolet/GMC Truck Full Size Vans, Beauville, Caravan, Chevy Van, Gaucho, GMC Van, Gypsy, 1/2 ton van, G10, G15, 3/4 ton van, G20, G25, 1 ton van, G30, G35

MFG./YEAR	MODEL & LOCATION	PART NO.	MFG./YEAR	MODEL & LOCATION	PART NO.
<b>Transmission-Manual (Cont.)</b>			<b>Drive Shaft (Cont.)</b>		
<b>Rear (Cont.)</b>			1990-1964 w/o 2 Piece Drive Sh.:		
1976-1969 3 Spd. Muncie Trans. w/o H.D.:			Bearing Only ..... BR88107		
Seal ..... 15041			Bearing & Support ..... HB88107-A		
(Speedi-Sleeve) ..... 99149			<b>Engine</b>		
(Speedi-Sleeve/Seal Kit) ..... 480150			<b>Crankshaft-Rear</b>		
Seal Kit ..... 15054			1995-1994 395 (6.5L) Diesel Eng.:		
Bearing ..... 6307-NRJ			Seal ..... 45210		
1970-1967 3 Spd. H.D. Muncie Trans.:			(Speedi-Sleeve) ..... 99452		
Seal ..... 15041			1995-1991 454 (7.4L) Eng.:		
(Speedi-Sleeve) ..... 99149			Seal ..... 43303		
(Speedi-Sleeve/Seal Kit) ..... 480150			(Speedi-Sleeve) ..... 99435		
Seal Kit ..... 15054			1995-1986 262 (4.3L), 305 (5.0L) & 350 (5.7L) Engs.:		
Bearing ..... 6307-J			Seal (Viton) ..... 37026		
1970-1967 4 Spd. Warner T10 Trans.:			(Speedi-Sleeve) (Viton) ..... 99369		
Seal ..... 15041			Seal ..... 37027		
(Speedi-Sleeve) ..... 99149			(Speedi-Sleeve) ..... 99364		
(Speedi-Sleeve/Seal Kit) ..... 480150			1993-1992 379 (6.2L) Eng.:		
Seal Kit ..... 15054			Seal ..... 45210		
Bearing ..... 6307-NRJ			(Speedi-Sleeve) ..... 99452		
1966-1964 3 Spd. H.D. Muncie Trans.:			1985-1967 w/o 379 (6.2L) Eng.:		
Seal ..... 22340			Seal Kit ..... 199		
(Speedi-Sleeve) ..... 99225			1984-1983 379 (6.2L) Eng.:		
<b>Reverse Idler</b>			Seal Kit ..... 191		
1977-1970 3 Spd. Muncie & Saginaw Trans.:			<b>Accessory Drive Belt Idler</b>		
Bearing ..... C407-Q			1993-1988 454 (7.4L) Eng.:		
<b>Shift Shaft</b>			Bearing (Pulley) ..... VKM900007		
1987-1970 3 Spd. Trans.:			<b>Timing Belt Idler</b>		
Seal ..... 7410			1995 4.3L, 5.0L, 5.7L & 7.4L Engs.:		
(Speedi-Sleeve) ..... 99076			Bearing & Housing Assy. .... VKM900052		
(Speedi-Sleeve/Seal Kit) ..... 480074			<b>Timing Cover</b>		
<b>Speedometer Drive</b>			1995-1994 395 (6.5L) Diesel Eng.:		
1988-1976 All:			Seal ..... 23300		
Seal ..... 4010			(Speedi-Sleeve) ..... 99233		
<b>Air Conditioning Clutch</b>			(Speedi-Sleeve/Seal Kit) ..... 480233		
1995-1975 All:			1995-1988 454 (7.4L) Eng.:		
Bearing ..... 5908-VAW			Seal ..... 23300		
<b>Air Conditioning Compressor</b>			(Speedi-Sleeve) ..... 99233		
1991-1975 Radial Comp.:			(Speedi-Sleeve/Seal Kit) ..... 480233		
Bearing ..... B128			1995-1964 w/o 379 (6.2L) & 350 (5.7L) Diesel, 396 (6.5L) & 454 (7.4L) Gas Engs.:		
<b>Alternator</b>			Seal ..... 17286		
1988-1983 w/o 80 Amp.:			(Speedi-Sleeve) ..... 99176		
Bearing (Front) ..... 6203-2RSJ			(Speedi-Sleeve/Seal Kit) ..... 480177		
Bearing (Rear) ..... MNJ471-S			1993-1985 379 (6.2L) Diesel Eng.:		
1982-1972 All:			Seal ..... 23300		
Bearing (Front) ..... 6203-ZJ			(Speedi-Sleeve) ..... 99233		
Bearing (Rear) ..... MNJ471-S			(Speedi-Sleeve/Seal Kit) ..... 480233		
1971-1964 w/o 62 Amp.:			<b>Steering-Power</b>		
Bearing (Front) ..... 6203-RSJ			<b>Pitman Shaft</b>		
Bearing (Rear) ..... MNJ471-S			1995-1972 All:		
1970-1964 62 Amp.:			Seal (Inner) ..... 12371		
Bearing (Front) ..... 6305-J			Seal (Outer) ..... 12355		
Bearing (Rear) ..... 6203-J			Seal Kit ..... 12392		
<b>Drive Shaft</b>			(Continued)		
1995-1992 G30 & G35 w/146" W.B.:					
Bearing & Support ..... HB88508-A					
1990-1985 w/2 Piece Drive Sh.:					
Bearing & Support ..... HB88532					

**Chevrolet/GMC Truck Full Size Vans, Beauville, Caravan, Chevy Van, Gaucho, GMC Van, Gypsy, 1/2 ton van, G10, G15, 3/4 ton van, G20, G25, 1 ton van, G30, G35 -- (Cont.)**

MFG./YEAR	MODEL & LOCATION	PART NO.	MFG./YEAR	MODEL & LOCATION	PART NO.
<b>Steering-Power (Cont.)</b>			<b>Steering-Standard</b>		
<b>Pump Shaft</b>			<b>Pitman Shaft</b>		
1995-1972	w/o 262 N (4.3L), 350 M (5.7L) & 305 H (5.0L) Eng.s.:		1990-1964	All:	
	Seal .....	7475		Seal .....	11055
1988-1985	4.3 N, 350 M Eng.s. & 305 H Eng.s. w/Man. Trans.:		<b>Worm Shaft</b>		
	Bearing .....	6203-2RSJ	1990-1964	All:	
<b>Worm Shaft</b>				Seal .....	7481
1995-1979	All:				
	Seal .....	7905			
1978-1971	All:				
	Bearing .....	B148			

**Chevrolet/GMC Truck 1/2 ton, 1500 (C series), 1500 (K series), 1500 (R series), 1500 (V series), Blazer/Jimmy, K5 Blazer/K5 Jimmy, Suburban (1/2 ton), Tahoe/Yukon, C10/C15, D10/D15, K10/K15**

<b>Wheel Front (2 W/D)</b>			<b>Wheel Front (2 W/D) (Cont.)</b>		
1995	C Series w/Gas Eng.:		1991-1988	R Series:	
	Seal .....	19784		Seal .....	19984
	Bearing (Inner) .....	BR5		Bearing (Inner) .....	BR5
	(Set Components) .....	LM48548/LM48510		(Set Components) .....	LM48548/LM48510
	Bearing (Outer) .....	BR3		Bearing (Outer) .....	BR3
	(Set Components) .....	M12649/M12610		(Set Components) .....	M12649/M12610
1995	C Series w/Diesel Eng.:		1991-1988	C Series w/Ext. Cab & F44 H.D. Option:	
	Seal .....	21756		Seal .....	19984
	Bearing (Inner) .....	BR35		Bearing (Inner) .....	BR5
	(Set Components) .....	LM501349/LM501310		(Set Components) .....	LM48548/LM48510
	Bearing (Outer) .....	15103-S/BR15243		Bearing (Outer) .....	BR3
	(Set Components) .....	M12649/M12610		(Set Components) .....	M12649/M12610
1995	Tahoe & Yukon w/350 (5.7L) Eng.:		1991-1981	C Series w/o Ext. Cab & F44 H.D. Option:	
	Seal .....	19784		Seal .....	19984
	Bearing (Inner) .....	BR5		Bearing (Inner) .....	BR6
	(Set Components) .....	LM48548/LM48510		(Set Components) .....	LM67048/LM67010
	Bearing (Outer) .....	BR3		Bearing (Outer) .....	BR3
	(Set Components) .....	M12649/M12610		(Set Components) .....	M12649/M12610
1995	Tahoe & Yukon w/396 (6.5L) Eng.:		1987	R Series:	
	Seal .....	21756		Seal .....	19984
	Bearing (Inner) .....	BR35		Bearing (Inner) .....	BR6
	(Set Components) .....	LM501349/LM501310		(Set Components) .....	LM67048/LM67010
	Bearing (Outer) .....	15103-S/BR15243		Bearing (Outer) .....	BR3
	(Set Components) .....	M12649/M12610		(Set Components) .....	M12649/M12610
1994	Blazer & Yukon w/Hyd. Pwr. Brk. System:		1981	P Series:	
	Seal .....	21756		Seal .....	19984
	Bearing (Inner) .....	BR5		Bearing (Inner) .....	BR5
	(Set Components) .....	LM48548/LM48510		(Set Components) .....	LM48548/LM48510
	Bearing (Outer) .....	BR3		Bearing (Outer) .....	BR3
	(Set Components) .....	M12649/M12610		(Set Components) .....	M12649/M12610
1994	Blazer & Yukon w/Pwr. Brks.:		1980-1971	All:	
	Seal .....	19784		Seal .....	19984
	Bearing (Inner) .....	BR35		Bearing (Inner) .....	BR5
	(Set Components) .....	LM501349/LM501310		(Set Components) .....	LM48548/LM48510
	Bearing (Outer) .....	15103-S/BR15243		Bearing (Outer) .....	BR3
	(Set Components) .....	M12649/M12610		(Set Components) .....	M12649/M12610
1994-1992	All:				(Continued)
	Seal .....	19784			
	Bearing (Inner) .....	BR5			
	(Set Components) .....	LM48548/LM48510			
	Bearing (Outer) .....	BR3			
	(Set Components) .....	M12649/M12610			

## Passenger cars, light & medium trucks

(Cont.) -- Chevrolet/GMC Truck 1/2 ton, 1500 (C series), 1500 (K series), 1500 (R series), 1500 (V series), Blazer/Jimmy, K5 Blazer/K5 Jimmy, Suburban (1/2 ton), Tahoe/Yukon, C10/C15, D10/D15, K10/K15

MFG./YEAR	MODEL & LOCATION	PART NO.	MFG./YEAR	MODEL & LOCATION	PART NO.
<b>Wheel Front (2 W/D) (Cont.)</b>			<b>Wheel Front (4 W/D) (Cont.)</b>		
1970-1969	IFS30 & IFS35 Axles:		1986-1977	2nd Design Spicer Axle:	
	Seal .....	21771		Seal .....	24898
	Bearing (Inner) .....	BR2777/BR2720		Bearing (Inner) .....	LM104949/JLM104910
	Bearing (Outer) .....	BR3		Bearing (Outer) .....	BR35
	(Set Components) .....	M12649/M12610		(Set Components) .....	LM501349/LM501310
1970-1962	IFS25 Axle:		1977-1973	1st Design Spicer Axle:	
	Seal .....	19757		Seal .....	24898
	Bearing (Inner) .....	BR5		Bearing (Inner) .....	BR37
	(Set Components) .....	LM48548/LM48510		(Set Components) .....	LM603049/LM603011
	Bearing (Outer) .....	BR2		Bearing (Outer) .....	BR35
	(Set Components) .....	LM11949/LM11910		(Set Components) .....	LM501349/LM501310
1961-1960	All:		1972-1957	All:	
	Seal .....	19938		Seal .....	24898
	Bearing (Inner) .....	B66		Bearing (Inner) .....	BR37
	Bearing (Outer) .....	B67		(Set Components) .....	LM603049/LM603011
1959-1938	All:			Bearing (Outer) .....	BR35
	Seal .....	18772		(Set Components) .....	LM501349/LM501310
	Bearing (Inner) .....	B52	<b>Axle Shaft</b>		
	Bearing (Outer) .....	B67	1995-1988	K Series 1st Design:	
<b>Wheel Front (4 W/D)</b>				Seal .....	12320
1995	Suburban, Tahoe & Yukon w/350 (5.7L) Eng.:			Bearing (Inner) .....	B2610A
	Seal .....	30772		Bearing (Outer) .....	B2012
	Hub Assembly .....	BR930346	1991-1987	V Series:	
	Sensor Harness .....	SC346		Seal .....	13165
1995-1994	Blazer, Tahoe & Yukon w/396 (6.5L) Eng.:		1986-1960	w/o Spicer Axle:	
	Seal .....	31504		Seal .....	13165
	Hub Assembly .....	BR930406	1980-1979	Spicer Axle:	
	Sensor Harness (L.H.) (Rnd. Ctr. Brkt.) .....	SC406LH		Seal .....	13168
	Sensor Harness (R.H.) (Rnd. Ctr. Brkt.) .....	SC406RH	1959-1956	All:	
	Sensor Harness (L.H.) (Sqr. Ctr. Brkt.) .....	SC406ALH		Seal .....	14864
	Sensor Harness (R.H.) (Sqr. Ctr. Brkt.) .....	SC406BRH	<b>Spindle Hub</b>		
1995	K Series:		1991-1987	V Series:	
	Seal .....	30772		Seal (Inner) .....	22311
	Hub Assembly .....	BR930346		Seal (Outer) .....	711818
	Sensor Harness .....	SC346		Bearing .....	B2110
1994	Blazer & Yukon w/350 (5.7L) Eng.:			Seal & Bearing Kit .....	BK1
	Seal .....	30772	1986-1973	All:	
	Hub Assembly .....	BR930094		Seal (Inner) .....	22311
1994	K Series:			Seal (Outer) .....	711818
	Seal .....	30772		Bearing Assembly .....	B2110
	Hub Assembly .....	BR930094		Seal & Bearing Kit .....	BK1
1993-1992	All:		1972-1969	1st Design Axle:	
	Seal .....	30772		Seal .....	19360
	Hub Assembly .....	BR930094		Bearing Assembly .....	B2110
1991-1988	K Series w/o Ext. Cab & F44 H.D. Option:		<b>Steering Knuckle</b>		
	Seal .....	30772	1972-1960	w/o FHD035 Axle:	
	Hub Assembly .....	BR930035		Bearing .....	BR11590/BR11520
1991-1988	K Series w/Ext. Cab & F44 H.D. Option:		1966-1963	FHD035 Axle:	
	Seal .....	30772		Bearing .....	BR23100/BR23256
	Hub Assembly .....	BR930094	1959-1956	All:	
1991-1987	V Series:			Bearing .....	BR21075/BR21212
	Seal .....	24898	<b>Wheel Rear</b>		
	Bearing (Inner) .....	LM104949/JLM104910	1995-1988	8.50" & 8.625" Ring Gears:	
	Bearing (Outer) .....	BR35		Seal .....	16146
	(Set Components) .....	LM501349/LM501310		Bearing .....	DK59047
				(Axle Repair Brg. Assy.) .....	• R59047
					(Continued)

**Chevrolet/GMC Truck 1/2 ton, 1500 (C series), 1500 (K series), 1500 (R series), 1500 (V series), Blazer/Jimmy, K5 Blazer/K5 Jimmy, Suburban (1/2 ton), Tahoe/Yukon, C10/C15, D10/D15, K10/K15 -- (Cont.)**

MFG./YEAR	MODEL & LOCATION	PART NO.	MFG./YEAR	MODEL & LOCATION	PART NO.
<b>Wheel Rear (Cont.)</b>			<b>Pinion (Cont.)</b>		
1995-1988	9.50" Ring Gear:		<b>Front Axle (Cont.)</b>		
	Seal .....	17005	1980-1958	Spicer Axle:	
	Bearing .....	R1561-TV		Seal .....	15788
	(Axle Repair Brg. Assy.) .....	• R1561-G		(Speedi-Sleeve) .....	99155
1991-1987	R & V Series:			Bearing (Front) .....	BR02872/BR02820
	Seal .....	↔16044		Bearing (Rear) .....	BR31594/BR31520
	(Superseded by:)	16404	1959-1956	FH030 Axle:	
	Bearing .....	R1559-TV		Seal .....	17727
	(Axle Repair Brg. Assy.) .....	• R1559		(Speedi-Sleeve) .....	99170
1986-1973	All:			Bearing (Front) .....	HM88547/HM88510
	Seal .....	↔16044		Bearing (Rear) .....	HM89449/HM89410
	(Superseded by:)	16404	<b>Rear Axle</b>		
	Bearing .....	R1559-TV	1995-1985	C, K, R & V Series 1st Design w/9.50" Ring Gear & F44 H.D. Option:	
	(Axle Repair Brg. Assy.) .....	• R1559		Seal .....	19314
1972-1968	Spicer 60-35 Axle w/o Leaf Springs:			(Speedi-Sleeve) .....	99193
	Seal .....	15142		Bearing (Front) .....	HM88649/HM88610
	Bearing .....	BR7		Bearing (Rear) .....	HM804846/HM804810
	(Set Components) .....	M201047-S/M201011	1995-1978	C, K, R & V Series w/8.50" Ring Gear:	
1972-1968	Spicer 44, 45 & 60-35 Axles w/Leaf Springs:			Seal .....	19273
	Seal .....	15142		(Speedi-Sleeve) .....	99193
	Sealed Bearing w/Lock Ring .....	88128-R		Bearing (Front) .....	BR52
1972-1965	H033 & H035 Axles:			(Set Components) .....	M88048/M88010
	Seal .....	↔16044		Bearing (Rear) .....	M802048/M802011
	(Superseded by:)	16404	1981-1973	8.875" Ring Gear:	
	Bearing .....	R1559-TV		Seal .....	17190
	(Axle Repair Brg. Assy.) .....	• R1559		(Speedi-Sleeve) .....	99170
1966-1960	Spicer 60 Axle:			Bearing (Front) .....	BR52
	Seal .....	23844		(Set Components) .....	M88048/M88010
	Bearing (Inner) .....	BR28678/BR28622		Bearing (Rear) .....	HM89449/HM89410
	Bearing (Outer) .....	BR18690/BR18620	1972-1963	H033 & H035 Axles 2nd Design:	
1964-1963	H033 & H035 Axles 2nd Design:			Seal .....	17190
	Seal .....	↔16040		(Speedi-Sleeve) .....	99170
	(Superseded by:)	16449		Bearing (Front) .....	BR52
	Bearing .....	R1559-TV		(Set Components) .....	M88048/M88010
	(Axle Repair Brg. Assy.) .....	• R1559		Bearing (Rear) .....	HM89449/HM89410
1963-1938	H033 & H035 Axles 1st Design:		1972-1960	Spicer 44 Axle:	
	Seal .....	18695		Seal .....	15788
	Bearing .....	R1502-EL		(Speedi-Sleeve) .....	99155
<b>Pinion</b>				Bearing (Front) .....	BR02872/BR02820
<b>Front Axle</b>				Bearing (Rear) .....	BR31594/BR31520
1995-1988	K Series:		1972-1957	Spicer 60 & 60-35 Axles:	
	Seal .....	19428		Seal (.531" Width) .....	18888
	(Speedi-Sleeve) .....	99193		(Speedi-Sleeve) (.531" Width) .....	99187
	Bearing (Front) .....	M802048/M802011		Seal (.770" Width) .....	18891
	Bearing (Rear) .....	BR52		(Speedi-Sleeve) (.770" Width) .....	99187
	(Set Components) .....	M88048/M88010		Bearing (Front) .....	HM88542/HM88510
1991-1987	V Series:			Bearing (Rear) .....	HM803146/HM803110
	Seal .....	19277	1963-1951	H033 & H035 Axles 1st Design:	
	(Speedi-Sleeve) .....	99193		Seal .....	17727
	Bearing (Front) .....	BR52		(Speedi-Sleeve) .....	99170
	(Set Components) .....	M88048/M88010		Bearing (Front) .....	HM88547/HM88510
	Bearing (Rear) .....	M802048/M802011		Bearing (Rear) .....	HM89449/HM89410
1986-1977	w/o Spicer Axle:				(Continued)
	Seal .....	19277			
	(Speedi-Sleeve) .....	99193			
	Bearing (Front) .....	BR52			
	(Set Components) .....	M88048/M88010			
	Bearing (Rear) .....	M802048/M802011			



## Passenger cars, light & medium trucks

(Cont.) -- Chevrolet/GMC Truck 1/2 ton, 1500 (C series), 1500 (K series), 1500 (R series), 1500 (V series), Blazer/Jimmy, K5 Blazer/K5 Jimmy, Suburban (1/2 ton), Tahoe/Yukon, C10/C15, D10/D15, K10/K15

MFG./YEAR	MODEL & LOCATION	PART NO.	MFG./YEAR	MODEL & LOCATION	PART NO.
<b>Pinion (Cont.)</b>			<b>Differential (Cont.)</b>		
<b>Rear Axle (Cont.)</b>			<b>Front Axle (Cont.)</b>		
1959-1955	Spicer 45 Axle:		1986-1977	w/o Spicer Axle:	
	Seal .....	15788		Bearing .....	BR72
	(Speedi-Sleeve) .....	99155		(Set Components) .....	LM501349/LM501314
	Bearing (Front) .....	BR02872/BR02820	1980-1964	Spicer Axle:	
	Bearing (Rear) .....	BR3877/BR3820		Bearing .....	BR25590/BR25523
1954-1951	All:		1963-1960	All:	
	Bearing (Front) .....	5306-E		Bearing .....	BR25577/BR25523
1950-1948	All:		1959-1957	FH030 Axle:	
	Seal .....	10632		Bearing .....	BR72
	(Speedi-Sleeve) .....	99106		(Set Components) .....	LM501349/LM501314
	Bearing (Front) .....	5306-E	1956	FH030 Axle:	
1947	All:			Bearing .....	KC11445-Y
	Bearing (Front) .....	5306-E		(Set Components) .....	BR17887/BR17831
1941-1940	All:		<b>Rear Axle</b>		
	Seal .....	10632	1995-1988	9.50" Ring Gear:	
	(Speedi-Sleeve) .....	99106		Bearing .....	BR42
	Bearing (Front) .....	5306-E		(Set Components) .....	JLM506849A/JLM506811
1939	All:		1995-1978	8.50" Ring Gear:	
	Bearing (Front) .....	5206-A		Bearing .....	BR72
<b>Differential</b>				(Set Components) .....	LM501349/LM501314
<b>Kit</b>			1981-1973	8.875" Ring Gear:	
1995-1988	8.25" Ring Gear:			Bearing .....	BR36
	Standard Seal and Bearing Kit Front .....	SDK321-A		(Set Components) .....	LM603049/LM603012
1995-1988	9.50" Ring Gear:		1972-1969	w/o H033, H035 & Spicer Axles:	
	Standard Seal and Bearing Kit Rear .....	SDK324		Bearing .....	387-AS/382-A
1994-1992	7.25" Ring Gear:		1972-1967	Spicer 44 Axle:	
	Standard Seal and Bearing Kit Front .....	SDK320-A		Bearing .....	BR25590/BR25523
1991-1977	8.50" Ring Gear:		1972-1963	H033 & H035 Axles 2nd Design:	
	Standard Seal and Bearing Kit Front .....	SDK321		Bearing .....	BR36
	Master Seal and Bearing Kit Front .....	SDK321-MK		(Set Components) .....	LM603049/LM603012
1990	7.25" Ring Gear:		1972-1957	Spicer 60 & 60-35 Axles:	
	Standard Seal and Bearing Kit Front .....	SDK320-A		Bearing .....	387-A/382-S
1988	9.25" Ring Gear:		1966-1957	Spicer 44 & 45 Axles:	
	Standard Seal and Bearing Kit Front .....	SDK324-A		Bearing .....	BR25577/BR25523
1988	10.50" 1st Design Ring Gear:		1963-1957	H033 & H035 Axles 1st Design:	
	Standard Seal and Bearing Kit Rear .....	SDK325		Bearing .....	LM603049/LM603014
1988	10.50" 2nd Design Ring Gear:		1956-1940	All:	
	Standard Seal and Bearing Kit Rear .....	SDK325-A		Bearing .....	KC11445-Y
	Master Seal and Bearing Kit Rear .....	SDK325-AMK		(Set Components) .....	BR17887/BR17831
1982-1964	8.875" Ring Gear:		<b>Clutch</b>		
	Standard Seal and Bearing Kit Rear .....	SDK322	<b>Pilot</b>		
1981-1980	8.75" Ring Gear:		1995-1957	All:	
	Standard Seal and Bearing Kit Rear .....	SDK323		Bearing .....	B657
1980-1965	Dana 44 Axle:		1956-1938	w/o Diesel Eng.:	
	Standard Seal and Bearing Kit Front .....	SDK339-B		Bearing .....	BR7109
	Standard Seal and Bearing Kit Rear .....	SDK339-B	<b>Release</b>		
1995-1987	8.50" Ring Gear:		1995-1993	All:	
	Bearing .....	BR72		Bearing Assembly .....	N4172
	(Set Components) .....	LM501349/LM501314	1992-1985	All:	
1995-1987	K & V Series w/9.50" Ring Gear:			Bearing Assembly .....	▲ N3068-SA
	Bearing .....	BR35		(Heavy Duty) .....	N4068
	(Set Components) .....	LM501349/LM501310	1984-1973	250 Eng. w/11" Clutch:	
1995-1987	K & V Series w/10.50" Ring Gear:			Bearing Assembly .....	▲ N1488
	Bearing .....	BR42		(Heavy Duty) .....	N4068
	(Set Components) .....	JLM506849A/JLM506811			(Continued)

**Chevrolet/GMC Truck 1/2 ton, 1500 (C series), 1500 (K series), 1500 (R series), 1500 (V series), Blazer/Jimmy, K5 Blazer/K5 Jimmy, Suburban (1/2 ton), Tahoe/Yukon, C10/C15, D10/D15, K10/K15 -- (Cont.)**

MFG./YEAR	MODEL & LOCATION	PART NO.	MFG./YEAR	MODEL & LOCATION	PART NO.
<b>Clutch (Cont.)</b>			<b>Transfer Case (Cont.)</b>		
<b>Release (Cont.)</b>			<b>Front Output Shaft</b>		
<b>1984-1973 w/o 250 Eng.:</b>			<b>1995-1988 K Series w/New Process 241C &amp; 243C:</b>		
	Bearing Assembly .....	▲ N1488		Seal .....	18771
	(Heavy Duty) .....	N4068		(Speedi-Sleeve) .....	99187
<b>1974-1966 250 Eng. w/10" Clutch:</b>				Bearing (Front) .....	6207-J
	Bearing Only .....	N1085		Bearing (Rear) .....	J2416
	Bearing Assembly .....	N1086-SA	<b>1991-1989 V Series w/New Process 241C:</b>		
<b>1972-1971 w/o 250 Eng.:</b>				Seal .....	18771
	Bearing Assembly .....	▲ N1488		(Speedi-Sleeve) .....	99187
	(Heavy Duty) .....	N4068		Bearing (Front) .....	R1581-TV
<b>1972-1966 250 Eng. w/11" Clutch:</b>				Bearing (Rear) .....	J2416
	Bearing Assembly .....	▲ N1488	<b>1988-1981 New Process 208:</b>		
	(Heavy Duty) .....	N4068		Seal .....	18771
<b>1970-1968 292, 350 &amp; 396 Eng. Exc. P10:</b>				(Speedi-Sleeve) .....	99187
	Bearing Assembly .....	▲ N1488		Bearing (Front) .....	B2816
	(Heavy Duty) .....	N4068		Bearing (Pilot) .....	B2416
<b>1970-1968 307 Eng. Exc. P10:</b>				Bearing (Rear) .....	J2416
	Bearing Only .....	N1085		Bearing (Thrust) .....	[2] NTA2840
	Bearing Assembly .....	N1086-SA	<b>1981-1973 New Process 203:</b>		
<b>1970-1939 P10 w/o 250 Eng.:</b>				Seal .....	17720
	Bearing Only .....	N1085		(Speedi-Sleeve) .....	99174
	Bearing Assembly .....	N1086-SA		Bearing (Front) .....	6307-NRJ
<b>1968-1966 327 Eng. Exc. P10:</b>				Bearing (Rear) .....	M28161
	Bearing Assembly .....	▲ N1488	<b>1980-1973 New Process 205:</b>		
	(Heavy Duty) .....	N4068		Seal .....	17720
<b>1967-1962 283 Eng. Exc. P10:</b>				(Speedi-Sleeve) .....	99174
	Bearing Only .....	N1085		Bearing (Front) .....	6307-NRJ
	Bearing Assembly .....	N1086-SA		Bearing (Rear) .....	M28161
<b>1967-1938 153, 194, 216, 230, 235 &amp; 292 Eng. Exc. P10:</b>				Bearing (Gear) .....	[64] QBR23549
	Bearing Only .....	N1085	<b>1974-1960 Spicer 20:</b>		
	Bearing Assembly .....	N1086-SA		Seal .....	16245
<b>1961-1958 283 Eng.:</b>				(Speedi-Sleeve) .....	99162
	Bearing Assembly .....	▲ N1488		Bearing .....	[2] BR14116/BR14276
	(Heavy Duty) .....	N4068	<b>1972-1967 New Process 205:</b>		
<b>1957-1955 265 Eng. 1st Design:</b>				Seal .....	17716
	Bearing Only .....	N1085		(Speedi-Sleeve) .....	99174
	Bearing Assembly .....	N1086-SA		Bearing (Rear) .....	M28161
<b>1957-1955 265 Eng. 2nd Design:</b>				Bearing (Gear) .....	[64] QBR23549
	Bearing Assembly .....	▲ N1488	<b>1972-1960 Rockwell Std. T221:</b>		
	(Heavy Duty) .....	N4068		Seal .....	17387
<b>Transfer Case</b>				(Speedi-Sleeve) .....	99174
<b>Kit</b>				Bearing (Front) .....	■ 6207-NRJ
	<b>1995 241:</b>			Bearing (Rear) .....	6209-NRJ
	Transfer Case Kit .....	STCK241-BB	<b>1959-1956 All:</b>		
	<b>1995-1994 241 w/ 6010N I/S Brg:</b>			Seal .....	21108
	Transfer Case Kit .....	STCK241-BB		(Speedi-Sleeve) .....	99212
	<b>1995-1991 243 Electric Shift:</b>			Bearing (Front) .....	■ 6207-NRJ
	Transfer Case Kit .....	STCK241-BB		Bearing (Rear) .....	6207-J
	<b>1994-1988 241:</b>		<b>Idler Shaft</b>		
	Transfer Case Kit .....	STCK241	<b>1980-1967 New Process 205:</b>		
	<b>1980-1969 205 w/ 6307N Input Bearing:</b>			Bearing .....	BR2793/BR2720
	Transfer Case Kit .....	STCK205-G	<b>1979-1973 New Process 203:</b>		
	<b>1980-1969 205 w/ 6210N Input Bearing:</b>			Bearing .....	[72] QAR29523
	Transfer Case Kit .....	STCK205-GDM4	<b>1972-1960 Rockwell Std. T221:</b>		
<b>Drive Link Sprocket</b>				Bearing (Front) .....	BR02476/BR02420
	<b>1995-1988 New Process 241C:</b>			Bearing (Rear) .....	BR15126/BR15245
	Bearing .....	[2] B5020	<b>1966-1960 Spicer 20:</b>		
				Bearing .....	[2] BR15126/BR15245
					(Continued)

## Passenger cars, light & medium trucks

(Cont.) -- Chevrolet/GMC Truck 1/2 ton, 1500 (C series), 1500 (K series), 1500 (R series), 1500 (V series), Blazer/Jimmy, K5 Blazer/K5 Jimmy, Suburban (1/2 ton), Tahoe/Yukon, C10/C15, D10/D15, K10/K15

MFG./YEAR	MODEL & LOCATION	PART NO.	MFG./YEAR	MODEL & LOCATION	PART NO.
<b>Transfer Case (Cont.)</b>			<b>Transfer Case (Cont.)</b>		
<b>Idler Shaft (Cont.)</b>			<b>Mounting Adapter (Cont.)</b>		
1959-1956	All:		1972-1970	Rockwell Std. T221 & Spicer 20:	
	Bearing .....	[2] 6207-J		Seal .....	13676
<b>Input Shaft</b>				(Speedi-Sleeve) .....	99138
1991-1989	V Series w/New Process 241C w/o MD8 Trans.:		<b>Oil Pump</b>		
	Seal .....	19255	1995-1988	New Process 241C:	
	(Speedi-Sleeve) .....	99193		Seal .....	22306
	Bearing .....	5210-ANRX		(Speedi-Sleeve) .....	99225
1988-1981	New Process 208:		1991-1981	New Process 208:	
	Seal .....	19255		Seal .....	22306
	(Speedi-Sleeve) .....	99193		(Speedi-Sleeve) .....	99225
	Bearing .....	[2] B5020	<b>Rear Output Shaft</b>		
	Bearing (Thrust) .....	AXK5070	1995-1988	New Process 241C:	
1980-1969	Blazer w/New Process 205 & Man. Trans.:			Seal .....	18992
	Bearing .....	307-NRJ		Seal & Bushing Kit .....	18998
1980-1967	New Process 205 Exc. Blazer:			Bearing .....	6207-J
	Bearing .....	307-NRJ	1991-1981	New Process 208:	
1979-1973	New Process 203:			Seal .....	18992
	Seal .....	19255		Seal & Bushing Kit .....	18998
	(Speedi-Sleeve) .....	99193		Bearing .....	6207-J
	Bearing .....	[2] 210-NRJ	1980	New Process 205:	
1974-1960	Spicer 20:			Seal .....	18992
	Seal .....	15655		Bearing (Front) .....	B3216
	(Speedi-Sleeve) .....	99156		Bearing (Rear) .....	6307-NRJ
1972-1969	Blazer w/New Process 205 & Auto. Trans.:			Bearing (Gear) .....	[64] QBR23549
	Bearing .....	209-NRJ	1979-1974	New Process 203 2nd Design:	
1972-1967	Rockwell Std. T221:			Seal .....	21061
	Seal .....	19760		(Speedi-Sleeve) .....	99212
	(Speedi-Sleeve) .....	99199		Bearing (Front) .....	B3616
	Bearing (Front) .....	6207-ZJ		Bearing (Pilot) .....	[15] QAR29523
	Bearing (Rear) .....	6206-ZJ		Bearing (Rear) .....	6307-NRJ
1966-1960	Rockwell Std. T221:		1979-1973	New Process 205:	
	Seal .....	17387		Seal .....	21211
	(Speedi-Sleeve) .....	99174		(Speedi-Sleeve) .....	99212
	Bearing (Front) .....	6207-ZJ		Bearing (Front) .....	B3216
	Bearing (Rear) .....	6206-ZJ		Bearing (Rear) .....	6307-NRJ
1959-1956	All:			Bearing (Gear) .....	[64] QBR23549
	Seal .....	21108	1974-1973	New Process 203 1st Design:	
	(Speedi-Sleeve) .....	99212		Seal .....	21352
	Bearing .....	6307-NRJ		(Speedi-Sleeve) .....	99212
<b>Mainshaft Pilot</b>				Bearing (Front) .....	B3616
1989-1988	New Process 241C:			Bearing (Pilot) .....	[15] QAR29523
	Bearing .....	BH1810		Bearing (Rear) .....	6307-NRJ
1988-1981	New Process 208:		1974-1969	Blazer w/Spicer 20 & 3 Spd. Saginaw Trans.:	
	Bearing .....	B2012		Seal .....	16245
	Bearing (Thrust) .....	TC2435		(Speedi-Sleeve) .....	99162
1980-1967	New Process 205:			Bearing (Front) .....	BR25877/BR25821
	Bearing .....	[15] QAR29523		Bearing (Rear) .....	BR15117/BR15245
1974-1960	Spicer 20:		1974-1960	Spicer 20 Blazer w/o 3 Spd. Saginaw Trans.:	
	Bearing .....	JH1612		Seal .....	15655
<b>Mounting Adapter</b>				(Speedi-Sleeve) .....	99156
1980-1973	New Process 203 & 205 w/THM350 Trans.:			Bearing (Front) .....	BR25877/BR25821
	Seal .....	19760		Bearing (Rear) .....	BR15117/BR15245
	(Speedi-Sleeve) .....	99199	(Continued)		
1980-1970	New Process 203 & 205 w/3 Spd. Tremac, 3 & 4 Spd. Muncie Trans.:				
	Seal .....	13676			
	(Speedi-Sleeve) .....	99138			

**Chevrolet/GMC Truck 1/2 ton, 1500 (C series), 1500 (K series), 1500 (R series), 1500 (V series), Blazer/Jimmy, K5 Blazer/K5 Jimmy, Suburban (1/2 ton), Tahoe/Yukon, C10/C15, D10/D15, K10/K15 -- (Cont.)**

MFG./YEAR	MODEL & LOCATION	PART NO.	MFG./YEAR	MODEL & LOCATION	PART NO.
<b>Transfer Case (Cont.)</b>			<b>Transmission-Automatic (Cont.)</b>		
<b>Rear Output Shaft (Cont.)</b>			<b>Front Pump (Cont.)</b>		
1974-1960	Spicer 20 Exc. Blazer:		1986-1966	THM400 Trans.:	
	Seal .....	15655		Seal .....	18692
	(Speedi-Sleeve) .....	99156		(Speedi-Sleeve) .....	99187
	Bearing (Front) .....	BR25877/BR25821		(Speedi-Sleeve/Seal Kit) .....	480187
	Bearing (Rear) .....	BR15117/BR15245	1972-1953	AT218 Powerglide Trans.:	
1972-1967	New Process 205:			Seal .....	18692
	Seal .....	21211		(Speedi-Sleeve) .....	99187
	(Speedi-Sleeve) .....	99212		(Speedi-Sleeve/Seal Kit) .....	480187
	Bearing (Front) .....	B3216	1965-1951	Hydramatic Trans.:	
	Bearing (Gear) .....	[64] QBR23549		Seal .....	25950
1972-1960	Rockwell Std. T221:		<b>Rear</b>		
	Seal .....	17387	1995-1991	4L80E Trans.:	
	(Speedi-Sleeve) .....	99174		Seal .....	18860
	Bearing .....	[2] BR15126/BR15245	1995-1993	4L60E Trans.:	
1959-1956	All:			Seal .....	15041
	Seal .....	21108		(Speedi-Sleeve) .....	99149
	(Speedi-Sleeve) .....	99212		(Speedi-Sleeve/Seal Kit) .....	480150
	Bearing (Front) .....	6307-NRJ	1992-1966	THM350 & THM700 Trans.:	
	Bearing (Rear) .....	6207-J		Seal .....	15041
<b>Shift Shaft</b>				(Speedi-Sleeve) .....	99149
1980-1967	New Process 205:			(Speedi-Sleeve/Seal Kit) .....	480150
	Seal .....	7443	1990-1987	THM400 Trans.:	
	(Speedi-Sleeve) .....	99076		Seal .....	15041
1974-1969	Blazer w/Spicer 20 & 3 Spd. Saginaw Trans.:			(Speedi-Sleeve) .....	99149
	Seal .....	8620		(Speedi-Sleeve/Seal Kit) .....	480150
	(Speedi-Sleeve) .....	99087	1984-1979	THM400 Trans.:	
1972-1969	Spicer 20 Blazer w/o 3 Spd. Saginaw Trans.:			Seal .....	18992
	Seal .....	6229	1978-1973	THM400 Trans.:	
	(Speedi-Sleeve) .....	99062		Seal .....	16871
1972-1967	Spicer 20 Exc. Blazer:			(Speedi-Sleeve) .....	99168
	Seal .....	6229	1978-1973	THM475 Trans.:	
	(Speedi-Sleeve) .....	99062		Seal .....	16871
1972-1956	Rockwell Std.:			(Speedi-Sleeve) .....	99212
	Seal .....	7440	1972-1968	THM400 Trans. w/396 & 400 Engs.:	
	(Speedi-Sleeve) .....	99076		Seal .....	18992
<b>Side Gear</b>			1972-1967	THM400 Trans. w/o 396 & 400 Engs.:	
1987-1981	New Process 208:			Seal .....	16871
	Bearing .....	[120] C1086-Q		(Speedi-Sleeve) .....	99168
1979-1973	New Process 203:		1972-1956	AT218 Powerglide Trans.:	
	Bearing (Gear) .....	[123] C1086-Q		Seal .....	15041
	Bearing (Pinion) .....	[132] Q8113		(Speedi-Sleeve) .....	99149
<b>Transmission-Automatic</b>				(Speedi-Sleeve/Seal Kit) .....	480150
<b>Front Pump</b>			1965-1955	Hydramatic Trans.:	
1995-1982	THM700 & 4L60E Trans.:			Seal .....	16871
	Seal Kit .....	17459		(Speedi-Sleeve) .....	99168
	(Speedi-Sleeve) .....	99174		Bearing .....	6007-J
1995-1991	4L80E Trans.:		1955-1951	AT177 Trans.:	
	Seal .....	19939		Seal .....	15041
1990-1987	THM400 Trans.:			(Speedi-Sleeve) .....	99149
	Seal .....	18692		(Speedi-Sleeve/Seal Kit) .....	480150
	(Speedi-Sleeve) .....	99187		Bearing .....	6006-J
	(Speedi-Sleeve/Seal Kit) .....	480187	<b>Shift Shaft</b>		
1990-1966	THM350 & THM475 Trans.:		1995-1966	w/o AT218 Powerglide Trans.:	
	Seal .....	18692		Seal .....	4912
	(Speedi-Sleeve) .....	99187		(Speedi-Sleeve) .....	99050
	(Speedi-Sleeve/Seal Kit) .....	480187		(Speedi-Sleeve/Seal Kit) .....	480050

(Continued)

## Passenger cars, light & medium trucks

(Cont.) -- Chevrolet/GMC Truck 1/2 ton, 1500 (C series), 1500 (K series), 1500 (R series), 1500 (V series), Blazer/Jimmy, K5 Blazer/K5 Jimmy, Suburban (1/2 ton), Tahoe/Yukon, C10/C15, D10/D15, K10/K15

MFG./YEAR	MODEL & LOCATION	PART NO.	MFG./YEAR	MODEL & LOCATION	PART NO.
<b>Transmission-Automatic (Cont.)</b>			<b>Transmission (Cont.)</b>		
<b>Speedometer Drive</b>			<b>Kit (Cont.)</b>		
1988-1973	All:		1981-1978	RWD, CH465/MC9 Trans Mfr Code, 4 Speed; Contains M1305GGTV & R1563TAV Front C/S Brg.:	
	Seal .....	4010		Light Duty Kit .....	STK157
<b>Transmission Kit</b>			1981-1978	RWD, CH465/MC9 Trans Mfr Code, 4 Speed; 10 Bolt Side Cover, Case 10-5/8 " Long Overall:	
1995	4WD, NV3500/MG5 Trans Mfr Code, 5 Speed:			Light Duty Kit .....	STK157
	Light Duty Kit .....	STK235-B	1977-1968	4WD, SM465/M20 Trans Mfr Code, 4 Speed; Contains M1305GGTV & R1563TAV Front C/S Brg.:	
1995	4WD, NV3500/MG5 Trans Mfr Code, 5 Speed; Getrag 3rd Design (Standard Ball I/S & O/S Brgs.):			Light Duty Kit .....	STK157
	Light Duty Kit .....	STK235-B	1977-1968	4WD, SM465/M20 Trans Mfr Code, 4 Speed; 10 Bolt Side Cover, Case 10-5/8 " Long Overall:	
1995	4WD, NV4500/MW3 Trans Mfr Code, 5 Speed:			Light Duty Kit .....	STK157
	Light Duty Kit .....	STK4500-GM	1974-1968	4WD, SM465/M21 Trans Mfr Code, 4 Speed; 10 Bolt Side Cover, Case 10-5/8 " Long Overall:	
1995-1992	4WD, NV3500/MG5 Trans Mfr Code, 5 Speed; Getrag 3rd Design (Standard Ball I/S & O/S Brgs.):			Light Duty Kit .....	STK157
	Light Duty Kit .....	STK235-B	1974-1968	RWD, CH465/MC9 Trans Mfr Code, 4 Speed; 10 Bolt Side Cover, Case 10-5/8 " Long Overall:	
1994-1993	4WD, MT8 Trans Mfr Code, 5 Speed:			Light Duty Kit .....	STK157
	Light Duty Kit .....	STK4500-GM	1974-1968	RWD, CH465/MC9 Trans Mfr Code, 4 Speed; 10 Bolt Side Cover, Case 10-5/8 " Long Overall:	
1994-1992	4WD, NV3500/MG5 Trans Mfr Code, 5 Speed; Getrag 2nd Design (3 Pc. I/S & Standard Ball O/S Brgs.):			Light Duty Kit .....	STK157
	Light Duty Kit .....	STK235-B	1974-1968	RWD, CH465/MC9 Trans Mfr Code, 4 Speed; Contains M1305GGTV & R1563TAV Front C/S Brg.:	
1992	4WD, 5LM60/MY2 Trans Mfr Code, 5 Speed; Getrag 3rd Design (Standard Ball I/S & O/S Brgs.):			Light Duty Kit .....	STK157
	Light Duty Kit .....	STK235-B	1974-1968	4WD, SM465/M21 Trans Mfr Code, 4 Speed; Contains M1305GGTV & R1563TAV Front C/S Brg.:	
1992	4WD, 5LM60/MG5 Trans Mfr Code, 5 Speed; Getrag 3rd Design (Standard Ball I/S & O/S Brgs.):			Light Duty Kit .....	STK157
	Light Duty Kit .....	STK235-B	1972-1967	4WD, NP435 Trans Mfr Code, 4 Speed; With Taper I/S Brg.:	
1992-1991	4WD, 5LM60/MY2 Trans Mfr Code, 5 Speed; Getrag 2nd Design (3 Pc. I/S & Standard Ball O/S Brgs.):			Light Duty Kit .....	STK127
	Light Duty Kit .....	STK235-B	1972-1967	RWD, NP435 Trans Mfr Code, 4 Speed; With Taper I/S Brg.:	
1992-1991	4WD, 5LM60/MY2 Trans Mfr Code, 5 Speed; Getrag 2nd Design (3 Pc. I/S & Standard Ball O/S Brgs.):			Light Duty Kit .....	STK127
	Light Duty Kit .....	STK235-B	1972-1967	4WD, NP435 Trans Mfr Code, 4 Speed; With Ball I/S Brg.:	
1991	4WD, MG5 Trans Mfr Code, 5 Speed; Getrag 2nd Design (3 Pc. I/S & Standard Ball O/S Brgs.):			Light Duty Kit .....	STK127-G
	Light Duty Kit .....	STK235-B	1972-1967	RWD, NP435 Trans Mfr Code, 4 Speed; With Ball I/S Brg.:	
1990	4WD, SM465/M20 Trans Mfr Code, 4 Speed; Contains M1305GGTV & R1563TAV Front C/S Brg.:			Light Duty Kit .....	STK127-G
	Light Duty Kit .....	STK157	<b>Transmission-Manual Countershaft</b>		
1990-1982	4WD, SM465/M20 Trans Mfr Code, 4 Speed; 10 Bolt Side Cover, Case 10-5/8 " Long Overall:		1994-1992	5 Spd. (MT8) Trans.:	
	Light Duty Kit .....	STK157		Bearing (Rear) .....	BR35
1988	RWD, CH465/MC9 Trans Mfr Code, 4 Speed; 10 Bolt Side Cover, Case 10-5/8 " Long Overall:			(Set Components) .....	LM501349/LM501310
	Light Duty Kit .....	STK157	1991	5 Spd. (MT8) Trans.:	
1988-1982	4WD, SM465/M20 Trans Mfr Code, 4 Speed; Contains M1305GGTV & R1563TAV Front C/S Brg.:			Bearing (Front) .....	BR50
	Light Duty Kit .....	STK157		(Set Components) .....	LM102949/LM102910
				Bearing (Rear) .....	BR35
				(Set Components) .....	LM501349/LM501310
			1991-1977	4 Spd. Muncie (M20) Trans.:	
				Bearing (Front) .....	R1563-TAV
				Bearing (Rear) .....	6308-2RSNR
					(Continued)

## Passenger cars, light & medium trucks

### Chevrolet/GMC Truck 1/2 ton, 1500 (C series), 1500 (K series), 1500 (R series), 1500 (V series), Blazer/Jimmy, K5 Blazer/K5 Jimmy, Suburban (1/2 ton), Tahoe/Yukon, C10/C15, D10/D15, K10/K15 -- (Cont.)

MFG./YEAR	MODEL & LOCATION	PART NO.	MFG./YEAR	MODEL & LOCATION	PART NO.
<b>Transmission-Manual (Cont.)</b>			<b>Transmission-Manual (Cont.)</b>		
<b>Countershaft (Cont.)</b>			<b>Front (Cont.)</b>		
1987-1939	3 Spd. Muncie & Saginaw Trans.:		1987-1961	3 Spd. Saginaw Trans.:	
	Bearing .....	[74] C407-Q		Seal .....	12363
1977-1960	4 Spd. SM465 Trans.:			(Speedi-Sleeve) .....	99125
	Bearing (Front) .....	M1305GGTV1		Bearing .....	6207-ZNRJ
	Bearing (Rear) .....	308-ZNRJ	1982-1976	3 Spd. Tremac Trans.:	
	Bearing (Thrust) .....	NTA2031		Seal .....	11123
1972-1965	4 Spd. New Process 435 Trans.:			(Speedi-Sleeve) .....	99112
	Bearing (Front) .....	M24161-X1		Bearing .....	208-NRJ
	Bearing (Rear) .....	B3216	1975-1969	3 Spd. Muncie Trans.:	
	Bearing (Thrust) .....	NTA2031		Seal .....	12363
1972-1962	4 Spd. SM420 Trans.:			(Speedi-Sleeve) .....	99125
	Bearing (Rear) .....	308-ZNRJ		Bearing .....	6307-NRJ
1972-1940	3 Spd. SM318 & 319 Trans.:		1972-1966	4 Spd. New Process 435GA Trans.:	
	Bearing .....	[50] C407-Q		Seal .....	12363
1972-1940	3 Spd. SM326 Trans.:			(Speedi-Sleeve) .....	99125
	Bearing .....	[54] C407-Q		Bearing .....	HM88649/HM88610
1972-1940	3 Spd. SM330 Trans.:		1972-1961	3 Spd. SM326 Trans. Exc. O/D:	
	Bearing .....	[54] C407-Q		Seal .....	12363
1965-1960	4 Spd. Clark 261F Trans.:			(Speedi-Sleeve) .....	99125
	Bearing (Front) .....	M28161		Bearing .....	6207-ZNRJ
	Bearing (Rear) .....	308-ZNRJ	1972-1961	3 Spd. SM330 Trans.:	
1961-1948	4 Spd. SM420 Trans.:			Seal .....	12363
	Bearing (Front) .....	M1206-UV		(Speedi-Sleeve) .....	99125
	Bearing (Rear) .....	308-ZNRJ		Bearing .....	6307-NRJ
1954-1948	4 Spd. GMC Synchronized Trans.:		1972-1960	3 Spd. Warner T16D & T89 Trans.:	
	Bearing (Front) .....	M1206-UV		Seal .....	12363
	Bearing (Rear) .....	M1207-TV		(Speedi-Sleeve) .....	99125
1954-1939	4 Spd. GMC Trans. w/o Synchronized Trans.:			Bearing .....	6307-NRJ
	Bearing (Front) .....	M1206-UV	1972-1960	4 Spd. SM420 Trans.:	
	Bearing (Rear) .....	6308-NRJ		Seal .....	12363
<b>Front</b>				(Speedi-Sleeve) .....	99125
1995	5 Spd. (MW3) Trans.:			Bearing .....	209-NRJ
	Seal .....	13557	1972-1955	3 Spd. SM318 Trans.:	
	(Speedi-Sleeve) .....	99138		Seal .....	12363
1995-1991	5 Spd. (MG5) Trans.:			(Speedi-Sleeve) .....	99125
	Seal .....	13888		Bearing .....	6207-ZNRJ
	(Speedi-Sleeve) .....	99139	1966-1965	3 Spd. SM326 Trans. w/O/D:	
	Bearing .....	6307-2RSNRX		Seal .....	12363
1994-1992	5 Spd. (MT8) Trans.:			(Speedi-Sleeve) .....	99125
	Seal .....	13557	1966-1965	4 Spd. New Process 435G Trans.:	
	(Speedi-Sleeve) .....	99138		Seal .....	12363
1991	5 Spd. (MT8) Trans.:			(Speedi-Sleeve) .....	99125
	Seal .....	13557		Bearing .....	308-NRJ
	(Speedi-Sleeve) .....	99138	1966-1963	3 Spd. New Process 745 Trans.:	
1991-1990	4 Spd. (M20) Trans.:			Seal .....	12336
	Seal .....	16054		(Speedi-Sleeve) .....	99125
	(Speedi-Sleeve) .....	99162	1965-1960	4 Spd. Clark 261F Trans.:	
	Bearing .....	6211-2RSNX		Bearing .....	211-ZNRJ
1990-1988	4 Spd. (MCO) & 5 Spd. (MG5) Trans.:		1960-1938	3 Spd. Saginaw Trans.:	
	Seal .....	13888		Bearing .....	6207-ZNRJ
	(Speedi-Sleeve) .....	99139	1959-1958	3 Spd. SM318 Trans.:	
1989-1966	4 Spd. Muncie (M20) Trans.:			Bearing .....	207-NRJ
	Seal .....	16054	1959-1951	3 Spd. Warner T85 & T89 Trans.:	
	(Speedi-Sleeve) .....	99162		Bearing .....	6307-NRJ
	Bearing .....	N211-NRJ	1959-1948	4 Spd. SM420 Trans.:	
1987-1981	4 Spd. New Process (MY6) Trans.:			Bearing .....	209-NRJ
	Seal .....	12363	1954-1948	4 Spd. GMC Synchronized Trans.:	
	(Speedi-Sleeve) .....	99125		Bearing .....	209-NRJ

(Continued)

## Passenger cars, light & medium trucks

(Cont.) -- Chevrolet/GMC Truck 1/2 ton, 1500 (C series), 1500 (K series), 1500 (R series), 1500 (V series), Blazer/Jimmy, K5 Blazer/K5 Jimmy, Suburban (1/2 ton), Tahoe/Yukon, C10/C15, D10/D15, K10/K15

MFG./YEAR	MODEL & LOCATION	PART NO.	MFG./YEAR	MODEL & LOCATION	PART NO.
<b>Transmission-Manual (Cont.)</b>			<b>Transmission-Manual (Cont.)</b>		
<b>Front (Cont.)</b>			<b>Rear (Cont.)</b>		
1950-1947	4 Spd. GMC Trans. w/o Synchronized Trans.:		1988	C Series w/4 Spd. (MC0) Trans.:	
	Bearing .....	6209-J		Seal .....	18521
<b>Mainshaft Pilot</b>				(Speedi-Sleeve) .....	99187
1991-1972	4 Spd. Muncie Trans.:		1987-1982	5 Spd. (MB1) & (MB6) Warner Trans.:	
	Bearing ..... [17]	QAR34604		Seal .....	15041
1990-1982	5 Spd. Warner (MB1), (MB6), (ML2) & (ML3) Trans.:			(Speedi-Sleeve) .....	99149
	Bearing ..... [17]	QBR23549		(Speedi-Sleeve/Seal Kit) .....	480150
1987-1981	4 Spd. New Process (MY6) Trans.:			Seal Kit .....	15054
	Bearing ..... [16]	QBR23549		Bearing .....	BR25877/BR25821
1987-1967	3 Spd. Saginaw Trans.:		1987-1981	4 Spd. New Process (MY6) Trans.:	
	Bearing ..... [14]	QAR34604		Seal .....	15041
1972-1965	4 Spd. New Process 435 Trans.:			(Speedi-Sleeve) .....	99149
	Bearing ..... [14]	Q15902		(Speedi-Sleeve/Seal Kit) .....	480150
	Bearing (Thrust) .....	FA35688		Seal Kit .....	15054
1972-1953	3 Spd. SM318 & SM319 Trans.:		1987-1955	3 Spd. Saginaw Trans. w/2 W/D:	
	Bearing (Front) ..... [14]	C1110-Q		Seal .....	15041
1972-1948	4 Spd. SM420 Trans.:			(Speedi-Sleeve) .....	99149
	Bearing ..... [18]	W1518-Q		(Speedi-Sleeve/Seal Kit) .....	480150
1966-1963	3 Spd. New Process 745 Trans.:			Seal Kit .....	15054
	Bearing ..... [15]	QBR23549		1984-1979	4 Spd. Muncie (M20) Trans.:
1965-1961	3 Spd. Warner T89 Trans.:			Seal .....	15041
	Bearing ..... [14]	Q15902		(Speedi-Sleeve) .....	99149
1965-1960	4 Spd. Clark 261F Trans.:			(Speedi-Sleeve/Seal Kit) .....	480150
	Bearing .....	J36-1644		Seal Kit .....	15054
1960-1951	3 Spd. Warner T89 Trans.:			Bearing .....	6308-NRJ
	Bearing ..... [14]	W1518-Q		1983-1979	3 Spd. Tremac Trans.:
1954-1948	4 Spd. GMC Synchronized Trans.:			Seal .....	15041
	Bearing ..... [18]	W1518-Q		(Speedi-Sleeve) .....	99149
1952-1938	3 Spd. SM318 & SM319 Trans.:			(Speedi-Sleeve/Seal Kit) .....	480150
	Bearing ..... [14]	C1110-Q		Seal Kit .....	15054
				Bearing .....	6207-ZNRJ
<b>Rear</b>				1978-1976	3 Spd. Tremac Trans.:
1995-1992	K Series w/5 Spd. (MG5) Trans.:			Seal .....	15041
	Seal .....	14087		(Speedi-Sleeve) .....	99149
	(Speedi-Sleeve) .....	99146		(Speedi-Sleeve/Seal Kit) .....	480150
	Bearing .....	6307-2RSJ		Seal Kit .....	15054
1995-1988	C Series w/5 Spd. (MG5) Trans.:			Bearing .....	208-NRJ
	Seal .....	18521		1978-1966	4 Spd. SM465 Trans. w/2 W/D Exc. P10:
	(Speedi-Sleeve) .....	99187		Seal .....	19970
	Bearing .....	6307-2RSJ		(Speedi-Sleeve) .....	99199
1994-1991	New Process (MT8) Trans.:			Bearing .....	308-ZNRJ
	Seal .....	19982		1976-1969	3 Spd. Muncie Trans.:
	(Speedi-Sleeve) .....	99199		Seal .....	15041
	Bearing .....	M804049/M804010		(Speedi-Sleeve) .....	99149
1991-1989	K Series w/5 Spd. (MG5) Trans., Code OCCU & OKDU:			(Speedi-Sleeve/Seal Kit) .....	480150
	Seal .....	14087		Seal Kit .....	15054
	(Speedi-Sleeve) .....	99146		Bearing .....	6307-NRJ
	Bearing .....	6307-2RSNRX		1976-1969	4 W/D w/3 Spd. Saginaw Trans.:
1991-1985	4 Spd. Muncie (M20) Trans.:			Seal .....	15041
	Seal .....	19982		(Speedi-Sleeve) .....	99149
	(Speedi-Sleeve) .....	99199		(Speedi-Sleeve/Seal Kit) .....	480150
	Bearing .....	6308-2RSNR		Seal Kit .....	15054
1989-1988	K Series w/5 Spd. (MG5) Trans., Code 9CCU & 9KDU:			Bearing .....	6307-J
	Seal .....	14087		1972-1970	4 Spd. SM465 Trans. w/4 W/D:
	(Speedi-Sleeve) .....	99146		Seal .....	13676
				(Speedi-Sleeve) .....	99138
				Bearing .....	6307-J

(Continued)

## Passenger cars, light & medium trucks

### Chevrolet/GMC Truck 1/2 ton, 1500 (C series), 1500 (K series), 1500 (R series), 1500 (V series), Blazer/Jimmy, K5 Blazer/K5 Jimmy, Suburban (1/2 ton), Tahoe/Yukon, C10/C15, D10/D15, K10/K15 -- (Cont.)

MFG./YEAR	MODEL & LOCATION	PART NO.	MFG./YEAR	MODEL & LOCATION	PART NO.
<b>Transmission-Manual (Cont.)</b>			<b>Transmission-Manual (Cont.)</b>		
<b>Rear (Cont.)</b>			<b>Rear (Cont.)</b>		
1972-1968	P10 w/4 Spd. SM465 Trans.:		1969-1968	4 Spd. SM465 Trans. w/4 W/D:	
	Seal .....	15041		Seal .....	19760
	(Speedi-Sleeve) .....	99149		(Speedi-Sleeve) .....	99199
	(Speedi-Sleeve/Seal Kit) .....	480150		Bearing .....	6307-NRJ
	Seal Kit .....	15054	1968-1955	3 Spd. H.D. Warner T16D & T89 Trans.:	
	Bearing .....	308-ZNRJ		Seal .....	22340
1972-1967	2 W/D w/3 Spd. SM326 Trans. w/o O/D:			(Speedi-Sleeve) .....	99225
	Seal .....	15041		Bearing .....	6307-NRJ
	(Speedi-Sleeve) .....	99149	1967-1966	P10 w/4 Spd. SM465 Trans.:	
	(Speedi-Sleeve/Seal Kit) .....	480150		Seal .....	22340
	Seal Kit .....	15054		(Speedi-Sleeve) .....	99225
	Bearing .....	6306-ZNRJ		Bearing .....	308-ZNRJ
1972-1967	3 Spd. SM318 & SM319 Trans.:		1966-1963	3 Spd. New Process 745 Trans.:	
	Seal .....	15041		Seal .....	22340
	(Speedi-Sleeve) .....	99149		(Speedi-Sleeve) .....	99225
	(Speedi-Sleeve/Seal Kit) .....	480150		Bearing .....	MU1307-UM
	Seal Kit .....	15054	1966-1955	3 Spd. SM318 Trans.:	
1972-1967	3 Spd. SM330 Trans.:			Seal .....	15041
	Seal .....	15041		(Speedi-Sleeve) .....	99149
	(Speedi-Sleeve) .....	99149		(Speedi-Sleeve/Seal Kit) .....	480150
	(Speedi-Sleeve/Seal Kit) .....	480150		Seal Kit .....	15054
	Seal Kit .....	15054	1965-1960	4 Spd. Clark 261F Trans.:	
	Bearing .....	6307-NRJ		Seal .....	21098
1972-1966	4 Spd. New Process 435 Trans.:			(Speedi-Sleeve) .....	99212
	Seal .....	21103		Bearing .....	6309-NRJ
	(Speedi-Sleeve) .....	99212	1959-1958	3 Spd. SM319 Trans.:	
	Bearing .....	308-ZNRJ		Seal .....	15041
1972-1963	4 Spd. SM420 Trans. w/Parking Brk.:			Seal Kit .....	15054
	Seal .....	22340		(Speedi-Sleeve) .....	99149
	(Speedi-Sleeve) .....	99225		(Speedi-Sleeve/Seal Kit) .....	480150
	Bearing .....	208-NRJ		Bearing .....	306-NRJ
1972-1955	3 Spd. SM326 Trans. w/O/D:		1954-1951	3 Spd. Saginaw Trans.:	
	Seal .....	15041		Seal .....	15041
	(Speedi-Sleeve) .....	99149		(Speedi-Sleeve) .....	99149
	(Speedi-Sleeve/Seal Kit) .....	480150		(Speedi-Sleeve/Seal Kit) .....	480150
	Seal Kit .....	15054		Seal Kit .....	15054
	Bearing .....	6206-NRJ		Bearing .....	6306-NRJ
1972-1955	3 Spd. Warner T16D Trans. Exc. H.D. Trans.:		1954-1951	3 Spd. Warner T85 & T89 Trans. Exc. H.D.:	
	Seal .....	15041		Seal .....	22338
	(Speedi-Sleeve) .....	99149		(Speedi-Sleeve) .....	99225
	(Speedi-Sleeve/Seal Kit) .....	480150		Bearing .....	6307-J
	Seal Kit .....	15054	1954-1951	4 Spd. GMC Synchronized Trans.:	
	Bearing .....	6307-NRJ		Seal .....	22338
1972-1955	3 Spd. Warner T85 & T89 Trans. Exc. H.D.:			(Speedi-Sleeve) .....	99225
	Seal .....	22340		Bearing .....	6307-NRJ
	(Speedi-Sleeve) .....	99225	1950-1947	4 Spd. GMC Trans. w/o Synchronized Trans.:	
	Bearing .....	6307-J		Bearing .....	6307-J
1972-1954	3 Spd. SM326 Trans. w/4 W/D:		1950-1947	4 Spd. GMC Synchronized Trans.:	
	Seal .....	15041		Bearing .....	6307-NRJ
	(Speedi-Sleeve) .....	99149	<b>Reverse Idler</b>		
	(Speedi-Sleeve/Seal Kit) .....	480150	1977-1970	3 Spd. Muncie & Saginaw Trans.:	
	Seal Kit .....	15054		Bearing .....	C407-Q
	Bearing .....	6307-J	1972-1967	4 Spd. New Process 435 Trans.:	
1972-1948	4 Spd. SM420 Trans. w/o Parking Brk.:			Bearing .....	[68] C407-Q
	Seal .....	22340	1966-1965	4 Spd. New Process 435 Trans.:	
	(Speedi-Sleeve) .....	99225		Bearing .....	[88] C407-Q
	Bearing .....	6307-NRJ	1965-1963	3 Spd. New Process 745 Trans.:	
				Bearing .....	[22] C1086-Q

(Continued)



## Passenger cars, light & medium trucks

(Cont.) -- Chevrolet/GMC Truck 1/2 ton, 1500 (C series), 1500 (K series), 1500 (R series), 1500 (V series), Blazer/Jimmy, K5 Blazer/K5 Jimmy, Suburban (1/2 ton), Tahoe/Yukon, C10/C15, D10/D15, K10/K15

MFG./YEAR	MODEL & LOCATION	PART NO.	MFG./YEAR	MODEL & LOCATION	PART NO.
<b>Transmission-Manual (Cont.)</b>			<b>Alternator (Cont.)</b>		
<b>Reverse Idler (Cont.)</b>			1972	w/o 62 Amp.:	
1965-1960	4 Spd. Clark 261F Trans.:		Bearing (Front)	.....	6203-ZJ
	Bearing	[2] J36-1644	Bearing (Rear)	.....	MNJ471-S
<b>Shift Shaft</b>			1972-1966	62 Amp.:	
1987-1970	3 Spd. Muncie, Saginaw & Tremac Trans.:		Bearing (Front)	.....	6305-J
	Seal	7410	Bearing (Rear)	.....	MNJ471-S
	(Speedi-Sleeve)	99076	1971-1962	w/o 62 Amp.:	
	(Speedi-Sleeve/Seal Kit)	480074	Bearing (Front)	.....	6203-RSJ
1972-1966	3 Spd. SM326 & SM330 Trans.:		Bearing (Rear)	.....	MNJ471-S
	Seal	7410	<b>Drive Shaft</b>		
	(Speedi-Sleeve)	99076	1995-1992	K Series w/Ext. Cab:	
	(Speedi-Sleeve/Seal Kit)	480074	Bearing & Support	.....	HB88508-A
1966-1965	4 Spd. New Process 435 Trans.:		1995-1985	Spicer 1280, 1310, 1330 & 1410 U-joint Series w/35mm End Yoke:	
	Seal	7440	Bearing Only	.....	BR88107
	(Speedi-Sleeve)	99076	Bearing & Support	.....	HB88107-A
1966-1963	3 Spd. New Process 745 Trans.:		1995-1973	Spicer 1280 & 1310 U-joint Series w/30mm End Yoke:	
	Seal	6141	Bearing & Support	.....	HB206-FF
	(Speedi-Sleeve)	99062	1995-1992	C Series w/2 Piece Drive Sh.:	
1965-1955	3 Spd. SM326 Trans. w/O/D Shift Lever:		Bearing & Support	.....	HB88532
	Seal	6130	1991-1987	R & V Series w/2 Piece Drive Sh.:	
	(Speedi-Sleeve)	99062	Bearing & Support	.....	HB88532
<b>Solenoid</b>			1984-1955	2 W/D w/Leaf Springs:	
1972-1955	3 Spd. SM326 Trans. w/O/D:		Bearing Only	.....	BR88107
	Seal	3050	Bearing & Support	.....	HB88107-A
<b>Speedometer Drive</b>			1972-1964	2 W/D w/Coil Springs:	
1988-1973	All:		Bearing Only	.....	6206-2RSJ
	Seal	4010	Bearing & Support	.....	HB206-FF
<b>Air Conditioning Clutch</b>			1954-1941	4 Spd. Trans.:	
1995-1962	All:		Bearing Only	.....	BR88107
	Bearing	5908-VAW	1954-1939	w/o Hydramatic & 4 Spd. Trans.:	
<b>Air Conditioning Compressor</b>			Bearing Only	.....	BR8507
1991-1975	All:		<b>Engine</b>		
	Bearing	B128	<b>Crankshaft-Rear</b>		
<b>Alternator</b>			1995-1992	381 (6.2L) & 396 (6.5L) Diesel Engs.:	
1995-1994	124 & 140 Amp.:		Seal	.....	45210
	Bearing (Rear)	DB65093	(Speedi-Sleeve)	.....	99452
1993-1991	120 Amp.:		1995-1986	262 (4.3L), 305 (5.0L) & 350 (5.7L) Engs.:	
	Bearing (Rear)	6000-2RSJ	Seal (Viton)	.....	37026
1992-1988	100 & 124 Amp.:		(Speedi-Sleeve) (Viton)	.....	99369
	Bearing (Rear)	6000-2RSJ	Seal	.....	37027
1991	56, 66 & 78 Amp.:		(Speedi-Sleeve)	.....	99364
	Bearing (Front)	6203-2RSJ	1993-1991	454 (7.4L) Eng. Exc. SS Pkg.:	
	Bearing (Rear)	MNJ471-S	Seal	.....	43303
1990-1983	w/o 85, 100 & 105 Amp.:		(Speedi-Sleeve)	.....	99435
	Bearing (Front)	6203-2RSJ	1991-1985	379 (6.2L) Diesel Eng.:	
	Bearing (Rear)	MNJ471-S	Seal Kit	.....	287
1984-1983	80 & 100 Amp.:		1985-1968	w/o 381 (6.2L) & 350 (5.7L) Diesel, 396 (6.5L) & 454 (7.4L) Gas Engs.:	
	Bearing (Front)	6203-ZJ	Seal Kit	.....	199
	Bearing (Rear)	MNJ471-S	1984-1978	350 (5.7L) & 379 (6.2L) Diesel Engs.:	
1982-1973	w/o 70 & 85 Amp.:		Seal Kit	.....	191
	Bearing (Front)	6203-ZJ	1981-1968	396 (6.5L) & 454 (7.4L) Engs.:	
	Bearing (Rear)	MNJ471-S	Seal Kit	.....	216
1981	70 & 85 Amp.:		1967-1959	8 Cyl. Eng.:	
	Bearing (Front)	6203-ZJ	Seal Kit	.....	199
	Bearing (Rear)	BA608			(Continued)

**Chevrolet/GMC Truck 1/2 ton, 1500 (C series), 1500 (K series), 1500 (R series), 1500 (V series), Blazer/Jimmy, K5 Blazer/K5 Jimmy, Suburban (1/2 ton), Tahoe/Yukon, C10/C15, D10/D15, K10/K15 -- (Cont.)**

MFG./YEAR	MODEL & LOCATION	PART NO.	MFG./YEAR	MODEL & LOCATION	PART NO.
<b>Engine (Cont.)</b>			<b>Generator (Cont.)</b>		
<b>Crankshaft-Rear (Cont.)</b>			1946-1939 12 Volt 25 Amp.:		
1958-1955	8 Cyl. Eng.:		Bearing (Front)		6205-J
	Seal Kit	185	Bearing (Rear)		6203-J
<b>Accessory Drive Belt Idler</b>			1946-1939 6 Volt 40 Amp.:		
1993-1990	454 (7.4L) Eng.:		Bearing (Front)		6205-J
	Bearing (Pulley)	VKM900007	Bearing (Rear)		6203-J
<b>Fuel Injector Pump</b>			<b>Steering-Power</b>		
1987-1986	379 (6.2L) Diesel Eng.:		<b>Pitman Shaft</b>		
	Bearing	B168	1991-1987 Exc. C & K Series:		
<b>Timing Belt Idler</b>			Seal (Inner)		
1995	4.3L, 5.0L & 5.7L Eng.:		Seal (Outer)		
	Bearing & Housing Assy.	VKM900052	Seal Kit		
<b>Timing Cover</b>			1986-1967 All:		
1995-1988	379 (6.2L) & 396 (6.5L) Diesel Eng.:		Seal (Inner)		
	Seal	23300	Seal (Outer)		
	(Speedi-Sleeve)	99233	Seal Kit		
	(Speedi-Sleeve/Seal Kit)	480233			
1995-1968	w/o 381 (6.2L) Diesel, 396 (6.5L) & 454 (7.4L) Gas Eng.:		1991-1987 Exc. C & K Series:		
	Seal	17286	Seal		
	(Speedi-Sleeve)	99176	Seal		
	(Speedi-Sleeve/Seal Kit)	480177	Seal		
1993-1989	454 (7.4L) Eng.:		1986-1963 6 Cyl. Eng.:		
	Seal	23300	Seal		
	(Speedi-Sleeve)	99233	Seal		
	(Speedi-Sleeve/Seal Kit)	480233	Seal		
1987-1968	379 (6.2L) Diesel, 396 (6.5L) & 454 (7.4L) Gas Eng.:		1966-1957 8 Cyl. Eng.:		
	Seal	23300	Seal		
	(Speedi-Sleeve)	99233	Seal		
	(Speedi-Sleeve/Seal Kit)	480233	Seal		
1981-1978	350 (5.7L) Diesel Eng.:		1959-1956 6 Cyl. Eng.:		
	Seal	19887	Seal		
	(Speedi-Sleeve)	99199	Seal		
1967-1938	Exc. 67 379 (6.2L) Diesel & 454 (7.4L) Gas Eng.:		Seal		
	Seal	17286	Seal		
	(Speedi-Sleeve)	99176	Seal		
	(Speedi-Sleeve/Seal Kit)	480177	Seal		
<b>Generator</b>			<b>Worm Shaft</b>		
1966-1951	12 Volt 40, 50 & 55 Amp.:		1991-1987 Exc. C & K Series:		
	Bearing (Front)	BR8605	Seal		
1966-1947	12 Volt w/o 40, 50 & 55 Amp.:		Seal		
	Bearing (Front)	6203-RSJ	Seal		
	Bearing (Rear)	6203-RSJ	Seal		
1955-1951	6 Volt 40 Amp.:		Seal		
	Bearing (Front)	BR8506	Seal		
	Bearing (Rear)	BR8503	Seal		
1946-1939	6 Volt 25 Amp.:		Seal		
	Bearing (Front)	6204-J	Seal		
	Bearing (Rear)	6203-J	Seal		
1946-1939	6 Volt 30 Amp.:		Seal		
	Bearing (Front)	6305-J	Seal		
	Bearing (Rear)	6203-J	Seal		

# Passenger cars, light & medium trucks

## Chevrolet/GMC Truck 3/4 ton, 2500 (C series), 2500 (K series), 2500 (R series), 2500 (V series), C20/C25, K20/K25, P20/P25

MFG./YEAR	MODEL & LOCATION	PART NO.	MFG./YEAR	MODEL & LOCATION	PART NO.
<b>Wheel Front (2 W/D)</b>			<b>Wheel Front (4 W/D) (Cont.)</b>		
1995-1992	C Series w/7200 lb. G.V.W.:		1991-1987	V Series:	
	Seal .....	19784		Seal .....	24898
	Bearing (Inner) .....	BR5		Bearing (Inner) .....	LM104949/JLM104910
	(Set Components) .....	LM48548/LM48510		Bearing (Outer) .....	BR35
	Bearing (Outer) .....	BR3		(Set Components) .....	LM501349/LM501310
	(Set Components) .....	M12649/M12610	1986-1977	2nd Design Axle:	
1995-1992	C Series w/8600 lb. G.V.W.:			Seal .....	24898
	Seal .....	21756		Bearing (Inner) .....	LM104949/JLM104910
	Bearing (Inner) .....	BR35		Bearing (Outer) .....	BR35
	(Set Components) .....	LM501349/LM501310		(Set Components) .....	LM501349/LM501310
	Bearing (Outer) .....	15103-S/BR15243	1977-1970	1st Design Axle:	
1991-1988	C Series w/o 8600 lb. G.V.W.:			Seal .....	25077
	Seal .....	19984		Bearing (Inner) .....	368-A/362-A
	Bearing (Inner) .....	BR5		Bearing (Outer) .....	BR35
	(Set Components) .....	LM48548/LM48510		(Set Components) .....	LM501349/LM501310
	Bearing (Outer) .....	BR3	1969-1960	All:	
	(Set Components) .....	M12649/M12610		Seal .....	25077
1991-1988	Suburban w/o 8600 lb. G.V.W.:			Bearing (Inner) .....	BR368/362-A
	Seal .....	19984		Bearing (Outer) .....	BR35
	Bearing (Inner) .....	BR5		(Set Components) .....	LM501349/LM501310
	(Set Components) .....	LM48548/LM48510	1959-1957	All:	
	Bearing (Outer) .....	BR3		Seal .....	22390
	(Set Components) .....	M12649/M12610		Bearing .....	[2] BR37
1991-1971	C Series, R Series, P Series & Suburban w/8600 lb. G.V.W.:			(Set Components) .....	LM603049/LM603011
	Seal .....	21771	<b>Axle Shaft</b>		
	Bearing (Inner) .....	BR35	1995-1988	K Series w/7200 lb. G.V.W.:	
	(Set Components) .....	LM501349/LM501310		Seal .....	12320
	Bearing (Outer) .....	15103-S/BR15243		Bearing (Inner) .....	B2610A
1970-1963	All:			Bearing (Outer) .....	B2012
	Seal .....	21771	1995-1988	K Series w/8600 lb. G.V.W.:	
	Bearing (Inner) .....	BR2777/BR2720		Seal .....	16116
	Bearing (Outer) .....	BR3		Bearing (Inner) .....	B2610A
	(Set Components) .....	M12649/M12610		Bearing (Outer) .....	B2410
1962-1960	All:		1991-1987	V Series:	
	Seal .....	20965		Seal .....	13165
	Bearing (Inner) .....	B48	1986-1973	w/o Spicer Axle:	
	Bearing (Outer) .....	B47		Seal .....	13165
1959-1946	All:		1980-1973	Spicer Axle:	
	Seal (2.063" Shaft) .....	20669		Seal .....	13168
	Seal (2.094" Shaft) .....	20975	<b>Spindle Hub</b>		
	Bearing (Inner) .....	B44	1991-1987	V Series:	
	Bearing (Outer) .....	B45		Seal (Inner) .....	22311
<b>Wheel Front (4 W/D)</b>				Seal (Outer) .....	711818
1995-1988	K Series w/8600 lb. G.V.W.:			Bearing .....	B2110
	Seal .....	31504		Seal & Bearing Kit .....	BK1
	Hub Assembly .....	BR930406	1986-1973	All:	
	Sensor Harness (L.H.) (Rnd. Ctr. Brkt.) .....	SC406LH		Seal (Inner) .....	22311
	Sensor Harness (R.H.) (Rnd. Ctr. Brkt.) .....	SC406RH		Seal (Outer) .....	711818
	Sensor Harness (L.H.) (Sqr. Ctr. Brkt.) .....	SC406ALH		Bearing .....	B2110
	Sensor Harness (R.H.) (Sqr. Ctr. Brkt.) .....	SC406BRH		Seal & Bearing Kit .....	BK1
1995	K Series w/7200 lb. G.V.W.:		<b>Wheel Rear</b>		
	Hub Assembly .....	BR930346	1995-1992	C, K, R & V Series w/11.50" Ring Gear:	
	Sensor Harness .....	SC346		Seal .....	31870
1994-1988	K Series w/7200 lb. G.V.W.:			Bearing (Inner) .....	KD12051-Z
	Seal .....	30772		(Set Components) .....	395-CS/394-CS
	Hub Assembly .....	BR930094		Bearing (Outer) .....	KD11786-Y
				(Set Components) .....	388-A/BR382
					(Continued)

## Passenger cars, light & medium trucks

### Chevrolet/GMC Truck 3/4 ton, 2500 (C series), 2500 (K series), 2500 (R series), 2500 (V series), C20/C25, K20/K25, P20/P25 -- (Cont.)

MFG./YEAR	MODEL & LOCATION	PART NO.	MFG./YEAR	MODEL & LOCATION	PART NO.
<b>Wheel Rear (Cont.)</b>			<b>Pinion (Cont.)</b>		
<b>1995-1987 C, K, P, R &amp; V Series w/10.50" Ring Gear:</b>			<b>Front Axle (Cont.)</b>		
	Seal .....	28426	<b>1986-1977 4 W/D Exc. Spicer Axle:</b>		
	Seal Kit .....	28446		Seal .....	19277
	Bearing (Inner) .....	387-AS/382-A		(Speedi-Sleeve) .....	99193
	Bearing (Outer) .....	BR38		Bearing (Front) .....	BR52
	(Set Components) .....	LM104949/LM104911		(Set Components) .....	M88048/M88010
<b>1995-1988 C &amp; K Series w/9.50" Ring Gear:</b>				Bearing (Rear) .....	M802048/M802011
	Seal .....	17005	<b>1980-1960 4 W/D w/Spicer Axle:</b>		
	Bearing .....	R1561-TV		Seal .....	15788
	(Axle Repair Brg. Assy.) .....	• R1561-G		(Speedi-Sleeve) .....	99155
<b>1991-1987 R &amp; V Series w/9.50" Ring Gear:</b>				Bearing (Front) .....	BR02872/BR02820
	Seal .....	17053		Bearing (Rear) .....	BR31594/BR31520
	Bearing .....	R1561-TV	<b>1959-1956 4 W/D FH035 Axle:</b>		
	(Axle Repair Brg. Assy.) .....	• R1561-G		Seal .....	25970
<b>1986-1981 9.50" Ring Gear:</b>				(Speedi-Sleeve) .....	99259
	Seal .....	17053		Bearing (Front) .....	MU5206UM26
	Bearing .....	R1561-TV		Bearing (Rear) .....	A1011
	(Axle Repair Brg. Assy.) .....	• R1561-G	<b>Rear Axle</b>		
<b>1986-1973 10.50" Ring Gear:</b>			<b>1995-1988 10.50" Ring Gear &amp; 1st Design w/Cooling Fins</b>		
	Seal .....	28426	<b>On Drums:</b>		
	(Speedi-Sleeve/Seal Kit) .....	28446		Seal .....	21955
	Bearing (Inner) .....	387-AS/382-A		(Speedi-Sleeve) .....	99220
	Bearing (Outer) .....	BR38		Bearing (Front) .....	M802048/M802011
	(Set Components) .....	LM104949/LM104911		Bearing (Pilot) .....	R1581-TV
<b>1972-1965 Spicer 60 Axle:</b>				Bearing (Rear) .....	HM903249/HM903210
	Seal .....	23844	<b>1995-1981 9.50" Ring Gear 1st Design:</b>		
	Bearing (Inner) .....	BR28678/BR28622		Seal .....	19314
	Bearing (Outer) .....	BR18690/BR18620		(Speedi-Sleeve) .....	99193
<b>1972-1946 w/o Spicer Axle:</b>				Bearing (Front) .....	HM88649/HM88610
	Seal .....	28426		Bearing (Rear) .....	HM804846/HM804810
	(Speedi-Sleeve/Seal Kit) .....	28446	<b>1988-1986 C, K, R &amp; V Series w/10.50" Ring Gear &amp; 1st</b>		
	Bearing (Inner) .....	KD11786-Y	<b>Design w/o Cooling Fins On Drums:</b>		
	(Set Components) .....	388-A/BR382		Seal .....	21955
	Bearing (Outer) .....	KB11630-Z		Bearing (Front) .....	M802048/M802011
	(Set Components) .....	368-S/BR362		Bearing (Pilot) .....	R1581-TV
<b>1947 250 Model w/H.D. Axle:</b>				Bearing (Rear) .....	HM803149/HM803110
	Bearing (Inner) .....	388-A/383-A	<b>1985 C, K &amp; P Series w/10.50" Ring Gear w/o Dana</b>		
<b>1946 280 Model:</b>			<b>Axle:</b>		
	Bearing (Inner) .....	395-S/394-A		Seal .....	21955
	Bearing (Outer) .....	KB11786-Y		Bearing (Front) .....	M802048/M802011
	(Set Components) .....	BR387/BR382		Bearing (Pilot) .....	DC57524
<b>1946 250 Model w/o H.D. Axle:</b>				Bearing (Rear) .....	HM803149/HM803110
	Seal (Inner) .....	28464	<b>1984-1973 10.50" Ring Gear:</b>		
	Bearing (Inner) .....	368-A/362-A		Seal .....	21955
	Bearing (Outer) .....	359-S/354-A		Bearing (Front) .....	M802048/M802011
<b>Pinion</b>				Bearing (Pilot) .....	R1581-TV
<b>Front Axle</b>				Bearing (Rear) .....	HM803149/HM803110
<b>1995-1988 K Series w/8600 lb. G.V.W.:</b>			<b>1972-1968 H052 &amp; H072 Axles:</b>		
	Seal .....	19428		Seal .....	25970
	(Speedi-Sleeve) .....	99193		(Speedi-Sleeve) .....	99259
	Bearing (Front) .....	HM804846/HM804810		Bearing (Front) .....	A1011
	Bearing (Rear) .....	HM88649/HM88610		Bearing (Rear) .....	M5205-UV
<b>1991-1987 V Series:</b>					(Continued)
	Seal .....	19277			
	(Speedi-Sleeve) .....	99193			
	Bearing (Front) .....	BR52			
	(Set Components) .....	M88048/M88010			
	Bearing (Rear) .....	M802048/M802011			

# Passenger cars, light & medium trucks

(Cont.) -- Chevrolet/GMC Truck 3/4 ton, 2500 (C series), 2500 (K series), 2500 (R series), 2500 (V series), C20/C25, K20/K25, P20/P25

MFG./YEAR	MODEL & LOCATION	PART NO.	MFG./YEAR	MODEL & LOCATION	PART NO.
<b>Pinion (Cont.)</b>			<b>Differential (Cont.)</b>		
<b>Rear Axle (Cont.)</b>			<b>Front Axle (Cont.)</b>		
1972-1967	Spicer 60 & 60-35 Axles:		1980-1957	4 W/D w/Spicer Axle:	
	Seal (.531" Width) .....	18888		Bearing .....	BR25590/BR25523
	(Speedi-Sleeve) (.531" Width) .....	99187	<b>Rear Axle</b>		
	Seal (.770" Width) .....	18891	1995-1981	9.50" Ring Gear:	
	(Speedi-Sleeve) (.770" Width) .....	99187		Bearing .....	BR42
	Bearing (Front) .....	HM88542/HM88510		(Set Components) .....	JLM506849A/JLM506811
	Bearing (Rear) .....	HM803146/HM803110	1995-1973	10.50" Ring Gear:	
1967-1960	H052 & H072 Axles:			Bearing .....	387-AS/382-A
	Seal .....	25970	1984-1968	8.50" Ring Gear:	
	(Speedi-Sleeve) .....	99259		Bearing .....	BR72
	Bearing (Front) .....	5310-WA		(Set Components) .....	LM501349/LM501314
	Bearing (Rear) .....	M5205-UV	1972-1960	H052 & H072 Axles:	
1959-1946	All:			Bearing .....	KD11786-Y
	Seal .....	25970		(Set Components) .....	388-A/BR382
	(Speedi-Sleeve) .....	99259	1972-1957	Spicer 60 & 60-35 Axles:	
	Seal (Felt) .....	528		Bearing .....	387-A/382-S
	Bearing (Front) .....	A1011	<b>Clutch</b>		
	Bearing (Rear) .....	MU5205UM26	<b>Pilot</b>		
1946-1939	250 Model w/H.D. Axle:		1995-1940	Exc. P Series w/3-53 Diesel Eng.:	
	Seal .....	13738		Bearing .....	B657
	(Speedi-Sleeve) .....	99138	1972-1966	P Series w/3-53 Diesel Eng.:	
	Bearing (Front) .....	BR44150/BR44348		Bearing .....	BR7109
	Bearing (Rear) .....	RS5305-W	1939	w/o 216 Eng.:	
1942-1941	All:			Bearing .....	B657
	Seal .....	15557	1939-1938	216 Eng.:	
	(Speedi-Sleeve) .....	99157		Bearing .....	BR7109
<b>Differential Kit</b>			<b>Release</b>		
1995-1988	9.25" Ring Gear:		1995-1993	All:	
	Standard Seal and Bearing Kit Front .....	SDK324-A		Bearing Assembly .....	N4172
1995-1988	10.50" 2nd Design Ring Gear:		1992-1985	All:	
	Standard Seal and Bearing Kit Rear .....	SDK325-A		Bearing Assembly .....	▲ N3068-SA
	Master Seal and Bearing Kit Rear .....	SDK325-AMK		(Heavy Duty) .....	N4068
1995-1980	9.50" Ring Gear:		1984-1975	All:	
	Standard Seal and Bearing Kit Rear .....	SDK324		Bearing Assembly .....	▲ N1488
1991-1977	8.50" Ring Gear:			(Heavy Duty) .....	N4068
	Standard Seal and Bearing Kit Front .....	SDK321	1974-1973	Exc. P Series w/307 Eng., 250 Eng. & 10" Clutch:	
	Master Seal and Bearing Kit Front .....	SDK321-MK		Bearing Assembly .....	▲ N1488
1988-1973	10.50" 1st Design Ring Gear:			(Heavy Duty) .....	N4068
	Standard Seal and Bearing Kit Rear .....	SDK325	1974-1966	230 & 250 Eng. w/10" Clutch:	
1981-1980	8.50" Ring Gear:			Bearing Only .....	N1085
	Standard Seal and Bearing Kit Rear .....	SDK323		Bearing Assembly .....	N1086-SA
1981-1969	8.875" Ring Gear:		1973	P Series w/307 Eng. & 11,000 lb. Axle:	
	Standard Seal and Bearing Kit Rear .....	SDK322		Bearing Assembly .....	▲ N1488
1980-1968	Dana 44 Axle:			(Heavy Duty) .....	N4068
	Standard Seal and Bearing Kit Front .....	SDK339-B	1973	P Series w/307 Eng. w/o 11,000 lb. Axle:	
1972-1967	Dana 60 Axle:			Bearing Only .....	N1085
	Standard Seal and Bearing Kit Rear .....	SDK331		Bearing Assembly .....	N1086-SA
<b>Front Axle</b>			1972-1968	292, 307, 350 & 396 Eng.:	
1995-1989	K Series, Silverado & Sierra w/8600 lb. G.V.W.:			Bearing Assembly .....	▲ N1488
	Bearing .....	BR42		(Heavy Duty) .....	N4068
	(Set Components) .....	JLM506849A/JLM506811	1972-1966	230 & 250 Eng. w/11" Clutch:	
1995-1987	K & V Series w/o 8600 lb. G.V.W.:			Bearing Assembly .....	▲ N1488
	Bearing .....	BR72		(Heavy Duty) .....	N4068
	(Set Components) .....	LM501349/LM501314	1968-1967	P Series w/1st Design 3-53 Diesel Eng.:	
1986-1977	4 W/D w/o Spicer Axle:			Bearing Only .....	N1085
	Bearing .....	BR72		Bearing Assembly .....	N1086-SA
	(Set Components) .....	LM501349/LM501314			(Continued)

**Chevrolet/GMC Truck 3/4 ton, 2500 (C series), 2500 (K series), 2500 (R series), 2500 (V series), C20/C25, K20/K25, P20/P25 -- (Cont.)**

MFG./YEAR	MODEL & LOCATION	PART NO.	MFG./YEAR	MODEL & LOCATION	PART NO.
-----------	------------------	----------	-----------	------------------	----------

**Clutch (Cont.)**

**Release (Cont.)**

<b>1968-1967 P Series w/2nd Design 3-53 Diesel Eng.:</b>		
Bearing Assembly	▲ N1488	
(Heavy Duty)		N4068
<b>1968-1966 327 Eng.:</b>		
Bearing Assembly	▲ N1488	
(Heavy Duty)		N4068
<b>1967-1962 283 Eng.:</b>		
Bearing Only	N1085	
Bearing Assembly	N1086-SA	
<b>1967-1960 216, 230, 235 &amp; 292 Eng.s:</b>		
Bearing Only	N1085	
Bearing Assembly	N1086-SA	
<b>1965-1960 V6 Eng. Exc. P25:</b>		
Bearing Only	N1181	
Bearing Assembly	N1466	
<b>1961-1960 283 Eng.:</b>		
Bearing Assembly	▲ N1488	
(Heavy Duty)		N4068
<b>1957-1955 265 Eng. 1st Design:</b>		
Bearing Only	N1085	
Bearing Assembly	N1086-SA	
<b>1957-1955 265 Eng. 2nd Design:</b>		
Bearing Assembly	▲ N1488	
(Heavy Duty)		N4068

**Transfer Case**

**Kit**

<b>1995-1994 241 w/ 6010N I/S Brg:</b>		
Transfer Case Kit		STCK241-BB
<b>1995-1991 243 Electric Shift:</b>		
Transfer Case Kit		STCK241-BB
<b>1994-1988 241 w/ BD50-8 I/S Brg:</b>		
Transfer Case Kit		STCK241
<b>1980-1970 205 w/ 6307N Input Bearing:</b>		
Transfer Case Kit		STCK205-G
<b>1980-1970 205 w/ 6210N Input Bearing:</b>		
Transfer Case Kit		STCK205-GDM4

**Drive Link Sprocket**

<b>1995-1988 New Process 241C:</b>		
Bearing	[2]	B5020

**Front Output Shaft**

<b>1995-1988 K Series w/New Process 241C &amp; 243C:</b>		
Seal		18771
(Speedi-Sleeve)		99187
Bearing (Front)		6207-J
Bearing (Rear)		J2416
<b>1991-1989 V Series w/New Process 241C:</b>		
Seal		18771
(Speedi-Sleeve)		99187
Bearing (Front)		R1581-TV
Bearing (Rear)		J2416
<b>1988-1981 New Process 208:</b>		
Seal		18771
(Speedi-Sleeve)		99187
Bearing (Front)		B2816
Bearing (Pilot)		B2416
Bearing (Rear)		J2416
Bearing (Thrust)	[2]	NTA2840

**Transfer Case (Cont.)**

**Front Output Shaft (Cont.)**

<b>1980-1973 New Process 205:</b>		
Seal		17720
(Speedi-Sleeve)		99174
Bearing (Front)		6307-NRJ
Bearing (Rear)		M28161
Bearing (Gear)	[64]	QBR23549
<b>1979-1973 New Process 203:</b>		
Seal		17720
(Speedi-Sleeve)		99174
Bearing (Front)		6307-NRJ
Bearing (Rear)		M28161
<b>1974-1960 Spicer 20:</b>		
Seal		16245
(Speedi-Sleeve)		99162
Bearing		BR14116/BR14276
<b>1972-1967 New Process 205:</b>		
Seal		17716
(Speedi-Sleeve)		99174
Bearing (Rear)		M28161
Bearing (Gear)	[64]	QBR23549
<b>1972-1960 Rockwell Std. T221:</b>		
Seal		17387
(Speedi-Sleeve)		99174
Bearing (Front)		■ 6207-NRJ
Bearing (Rear)		6209-NRJ
<b>1959-1956 All:</b>		
Seal		21108
(Speedi-Sleeve)		99212
Bearing (Front)		■ 6207-NRJ
Bearing (Rear)		6207-J
<b>Idler Shaft</b>		
<b>1980-1967 New Process 205:</b>		
Bearing	[2]	BR2793/BR2720
<b>1979-1973 New Process 203:</b>		
Bearing	[72]	QAR29523
<b>1972-1960 Rockwell Std. T221:</b>		
Bearing (Front)		BR02476/BR02420
Bearing (Rear)		BR15126/BR15245
<b>1959-1956 All:</b>		
Bearing	[2]	6207-J
<b>Input Shaft</b>		
<b>1995-1988 K Series w/New Process 241C &amp; 243C:</b>		
Seal		19255
(Speedi-Sleeve)		99193
Bearing		6010-NRJ
<b>1991-1989 V Series w/New Process 241C w/o MD8 Trans.:</b>		
Seal		19255
(Speedi-Sleeve)		99193
Bearing		5210-ANRX
<b>1988-1981 New Process 208:</b>		
Seal		19255
(Speedi-Sleeve)		99193
Bearing	[2]	B5020
Bearing (Thrust)		AXK5070
<b>1980-1973 New Process 205 w/THM350 Trans.:</b>		
Seal		19760
(Speedi-Sleeve)		99199
Bearing	[2]	307-NRJ

(Continued)

# Passenger cars, light & medium trucks

(Cont.) -- Chevrolet/GMC Truck 3/4 ton, 2500 (C series), 2500 (K series), 2500 (R series), 2500 (V series), C20/C25, K20/K25, P20/P25

MFG./YEAR	MODEL & LOCATION	PART NO.	MFG./YEAR	MODEL & LOCATION	PART NO.
<b>Transfer Case (Cont.)</b>			<b>Transfer Case (Cont.)</b>		
<b>Input Shaft (Cont.)</b>			<b>Rear Output Shaft</b>		
1980-1973	New Process 205 w/THM400 Trans.:		1995-1988	New Process 241C & 243C:	
	Seal .....	19255		Seal .....	18860
	(Speedi-Sleeve) .....	99193		Seal & Bushing Kit .....	18998
	Bearing .....	[2] 307-NRJ		Bearing .....	6207-J
1980-1967	New Process 205 w/Man. Trans.:		1991-1981	New Process 208:	
	Seal .....	13676		Seal .....	18992
	(Speedi-Sleeve) .....	99138		Seal & Bushing Kit .....	18998
	Bearing .....	[2] 307-NRJ		Bearing .....	6207-J
1979-1973	New Process 203:		1980	New Process 205:	
	Seal .....	19255		Seal .....	18992
	(Speedi-Sleeve) .....	99193		Bearing (Front) .....	B3216
	Bearing .....	[2] 210-NRJ		Bearing (Rear) .....	6307-NRJ
1972-1967	Rockwell Std. T221:			Bearing (Gear) .....	[64] QBR23549
	Seal .....	19760	1979-1974	New Process 203 2nd Design:	
	(Speedi-Sleeve) .....	99199		Seal .....	21061
	Bearing (Front) .....	6207-ZJ		(Speedi-Sleeve) .....	99212
	Bearing (Rear) .....	6206-ZJ		Bearing (Front) .....	B3616
1966-1960	Rockwell Std. T221:			Bearing (Pilot) .....	[15] QAR29523
	Seal .....	17387		Bearing (Rear) .....	6307-NRJ
	(Speedi-Sleeve) .....	99174	1979-1973	New Process 205:	
	Bearing (Front) .....	6207-ZJ		Seal .....	21211
	Bearing (Rear) .....	6206-ZJ		(Speedi-Sleeve) .....	99212
1959-1956	All:			Bearing (Front) .....	B3216
	Seal .....	21108		Bearing (Rear) .....	6307-NRJ
	(Speedi-Sleeve) .....	99212		Bearing (Gear) .....	[64] QBR23549
	Bearing .....	6307-NRJ	1974-1973	New Process 203 1st Design:	
<b>Mainshaft Pilot</b>				Seal .....	21352
1989-1988	New Process 241C:			(Speedi-Sleeve) .....	99212
	Bearing .....	BH1810		Bearing (Front) .....	B3616
1988-1981	New Process 208:			Bearing (Pilot) .....	[15] QAR29523
	Bearing .....	B2012		Bearing (Rear) .....	6307-NRJ
	Bearing (Thrust) .....	TC2435	1974-1960	Spicer 20:	
1980-1967	New Process 205:			Seal .....	16245
	Bearing .....	[15] QAR29523		(Speedi-Sleeve) .....	99162
1974-1971	Spicer 20:			Bearing (Front) .....	BR25877/BR25821
	Bearing .....	JH1612		Bearing (Rear) .....	BR15126/BR15245
<b>Mounting Adapter</b>			1972-1967	New Process 205:	
1980-1973	New Process 203 & 205 w/THM350 Trans.:			Seal .....	21211
	Seal .....	19760		(Speedi-Sleeve) .....	99212
	(Speedi-Sleeve) .....	99199		Bearing (Front) .....	B3216
1980-1967	New Process 203 & 205 w/Man. Trans.:			Bearing (Gear) .....	[64] QBR23549
	Seal .....	13676	1972-1960	Rockwell Std. T221:	
	(Speedi-Sleeve) .....	99138		Seal .....	17387
1972-1970	Rockwell Std. T221 & Spicer 20 w/3 Spd. Man. Trans.:			(Speedi-Sleeve) .....	99174
	Seal .....	13676		Bearing .....	[2] BR15126/BR15245
	(Speedi-Sleeve) .....	99138	1959-1956	All:	
<b>Oil Pump</b>				Seal .....	21108
1995-1988	New Process 241C & 243C:			(Speedi-Sleeve) .....	99212
	Seal .....	22306		Bearing (Front) .....	6307-NRJ
	(Speedi-Sleeve) .....	99225		Bearing (Rear) .....	6207-J
1991-1981	New Process 208:		<b>Shift Shaft</b>		
	Seal .....	22306	1980-1973	New Process 205:	
	(Speedi-Sleeve) .....	99225		Seal .....	7443
<b>Oil Pump</b>				(Speedi-Sleeve) .....	99076
1995-1988	New Process 241C & 243C:		1974-1960	Spicer 20:	
	Seal .....	22306		Seal .....	8620
	(Speedi-Sleeve) .....	99225		(Speedi-Sleeve) .....	99087
1991-1981	New Process 208:				(Continued)
	Seal .....	22306			
	(Speedi-Sleeve) .....	99225			

## Passenger cars, light & medium trucks

### Chevrolet/GMC Truck 3/4 ton, 2500 (C series), 2500 (K series), 2500 (R series), 2500 (V series), C20/C25, K20/K25, P20/P25 -- (Cont.)

MFG./YEAR	MODEL & LOCATION	PART NO.	MFG./YEAR	MODEL & LOCATION	PART NO.
<b>Transfer Case (Cont.)</b>			<b>Transmission-Automatic (Cont.)</b>		
<b>Shift Shaft (Cont.)</b>			<b>Rear (Cont.)</b>		
1972-1960	Rockwell Std. T221:		1978-1973	THM400 Trans.:	
	Seal .....	7440		Seal .....	16871
	(Speedi-Sleeve) .....	99076		(Speedi-Sleeve) .....	99168
1959-1956	All:		1978-1973	THM475 Trans.:	
	Seal .....	7440		Seal .....	21111
	(Speedi-Sleeve) .....	99076		(Speedi-Sleeve) .....	99212
<b>Side Gear</b>			1972-1968	THM400 Trans. w/396 & 402 Engs.:	
1987-1981	New Process 208:			Seal .....	18992
	Bearing .....	[120] C1086-Q	1972-1967	THM400 Trans. w/o 396 & 402 Engs.:	
1979-1973	New Process 203:			Seal .....	16871
	Bearing (Gear) .....	[123] C1086-Q		(Speedi-Sleeve) .....	99168
	Bearing (Pinion) .....	[132] Q8113	1965-1951	AT210 Trans.:	
<b>Transmission-Automatic</b>				Seal .....	16871
<b>Front Pump</b>				(Speedi-Sleeve) .....	99168
1995-1991	4L80E Trans.:			Bearing .....	6007-J
	Seal .....	19939	1954-1951	AT177 Trans.:	
1995-1982	THM700 & 4L60E Trans.:			Seal .....	15041
	Seal Kit .....	17459		(Speedi-Sleeve) .....	99149
	(Speedi-Sleeve) .....	99174		(Speedi-Sleeve/Seal Kit) .....	480150
1990-1953	w/o THM700 Trans.:			Bearing .....	6006-J
	Seal .....	18692	<b>Shift Shaft</b>		
	(Speedi-Sleeve) .....	99187	1995-1966	Exc. P Series:	
	(Speedi-Sleeve/Seal Kit) .....	480187		Seal .....	4912
1954-1951	AT177 & AT210 Trans.:			(Speedi-Sleeve) .....	99050
	Seal .....	25950		(Speedi-Sleeve/Seal Kit) .....	480050
<b>Rear</b>			1995-1966	P Series w/o Parking Brk. Lever:	
1995-1991	4L80E Trans.:			Seal .....	4912
	Seal .....	18860		(Speedi-Sleeve) .....	99050
1995-1993	4L60E Trans.:			(Speedi-Sleeve/Seal Kit) .....	480050
	Seal .....	15041	1972-1966	P Series w/Parking Brk. Lever:	
	(Speedi-Sleeve) .....	99149		Seal .....	4911
1992-1955	AT218 Powerglide, THM350 & THM700 Trans.:			(Speedi-Sleeve) .....	99050
	Seal .....	15041	<b>Speedometer Drive</b>		
	(Speedi-Sleeve) .....	99149	1987-1970	All:	
	(Speedi-Sleeve/Seal Kit) .....	480150		Seal .....	4010
1990-1988	THM400 Trans.:		<b>Transmission Kit</b>		
	Seal .....	15041	1995	4WD, NV3500/MG5 Trans Mfr Code, 5 Speed; Getrag 3rd Design (Standard Ball I/S & O/S Brgs.):	
	(Speedi-Sleeve) .....	99149		Light Duty Kit .....	STK235-B
	(Speedi-Sleeve/Seal Kit) .....	480150	1995	4WD, NV4500/MW3 Trans Mfr Code, 5 Speed:	
1984-1982	THM475 Trans. w/o 381 (6.2L) Diesel & 454 (7.4L) Gas Engs.:			Light Duty Kit .....	STK4500-GM
	Seal .....	15041	1994-1993	4WD, MT8 Trans Mfr Code, 5 Speed:	
	(Speedi-Sleeve) .....	99149		Light Duty Kit .....	STK4500-GM
	(Speedi-Sleeve/Seal Kit) .....	480150	1994-1992	4WD, NV3500/MG5 Trans Mfr Code, 5 Speed; Getrag 2nd Design (3 Pc. I/S & Standard Ball O/S Brgs.):	
1984-1982	THM475 Trans. w/381 (6.2L) Diesel & 454 (7.4L) Gas Engs.:			Light Duty Kit .....	STK235-B
	Seal .....	18992	1992-1991	4WD, 5LM60/MG5 Trans Mfr Code, 5 Speed; Getrag 2nd Design (3 Pc. I/S & Standard Ball O/S Brgs.):	
1984-1982	THM400 w/381 (6.2L) Diesel & 454 (7.4L) Gas Engs.:			Light Duty Kit .....	STK235-B
	Seal .....	15041	1992-1991	4WD, 5LM60/MY2 Trans Mfr Code, 5 Speed; Getrag 2nd Design (3 Pc. I/S & Standard Ball O/S Brgs.):	
	(Speedi-Sleeve) .....	99149		Light Duty Kit .....	STK235-B
	(Speedi-Sleeve/Seal Kit) .....	480150			(Continued)
1984-1982	THM400 w/381 (6.2L) Diesel & 454 (7.4L) Gas Engs.:				
	Seal .....	18992			
1983-1979	THM400 & THM475 Trans.:				
	Seal .....	18992			



# Passenger cars, light & medium trucks

(Cont.) -- Chevrolet/GMC Truck 3/4 ton, 2500 (C series), 2500 (K series), 2500 (R series), 2500 (V series), C20/C25, K20/K25, P20/P25

MFG./YEAR	MODEL & LOCATION	PART NO.	MFG./YEAR	MODEL & LOCATION	PART NO.
<b>Transmission (Cont.) Kit (Cont.)</b>			<b>Transmission (Cont.) Kit (Cont.)</b>		
1991	4WD, MG5 Trans Mfr Code, 5 Speed; Getrag 2nd Design (3 Pc. I/S & Standard Ball O/S Brgs.):		1972-1967	RWD, NP435 Trans Mfr Code, 4 Speed; With Ball I/S Brg.:	
	Light Duty Kit .....	STK235-B		Light Duty Kit .....	STK127-G
1990-1982	4WD, SM465/M20 Trans Mfr Code, 4 Speed; 10 Bolt Side Cover, Case 10-5/8 " Long Overall:		<b>Transmission-Manual Countershaft</b>		
	Light Duty Kit .....	STK157	1995	5 Spd. (MW3) Trans.:	
1988	RWD, CH465/MC9 Trans Mfr Code, 4 Speed; 10 Bolt Side Cover, Case 10-5/8 " Long Overall:			Bearing (Rear) .....	BR35
	Light Duty Kit .....	STK157		(Set Components) .....	LM501349/LM501310
1988-1987	4WD, SM465/M20 Trans Mfr Code, 4 Speed; Contains M1305GGTV & R1563TAV Front C/S Brg.:		1994-1992	5 Spd. (MT8) Trans.:	
	Light Duty Kit .....	STK157		Bearing (Rear) .....	BR35
1984-1982	4WD, SM465/M20 Trans Mfr Code, 4 Speed; Contains M1305GGTV & R1563TAV Front C/S Brg.:			(Set Components) .....	LM501349/LM501310
	Light Duty Kit .....	STK157	1991	5 Spd (MT8) Trans.:	
1981-1978	RWD, CH465/MC9 Trans Mfr Code, 4 Speed; 10 Bolt Side Cover, Case 10-5/8 " Long Overall:			Bearing (Front) .....	BR50
	Light Duty Kit .....	STK157		(Set Components) .....	LM102949/LM102910
1981-1978	RWD, CH465/MC9 Trans Mfr Code, 4 Speed; Contains M1305GGTV & R1563TAV Front C/S Brg.:			Bearing (Rear) .....	BR35
	Light Duty Kit .....	STK157		(Set Components) .....	LM501349/LM501310
1977-1968	4WD, SM465/M20 Trans Mfr Code, 4 Speed; Contains M1305GGTV & R1563TAV Front C/S Brg.:		1991-1978	4 Spd. Muncie (M20) Trans.:	
	Light Duty Kit .....	STK157		Bearing (Front) .....	R1563-TAV
1977-1968	4WD, SM465/M20 Trans Mfr Code, 4 Speed; 10 Bolt Side Cover, Case 10-5/8 " Long Overall:			Bearing (Rear) .....	6308-2RSNR
	Light Duty Kit .....	STK157	1987-1940	3 Spd. Muncie & Saginaw Trans.:	
1974-1968	4WD, SM465/M21 Trans Mfr Code, 4 Speed; 10 Bolt Side Cover, Case 10-5/8 " Long Overall:			Bearing .....	C407-Q
	Light Duty Kit .....	STK157	1977-1973	4 Spd. Muncie (M20) Trans.:	
1974-1968	RWD, CH465/MC9 Trans Mfr Code, 4 Speed; 10 Bolt Side Cover, Case 10-5/8 " Long Overall:			Bearing (Front) .....	M1305GGTV1
	Light Duty Kit .....	STK157		Bearing (Rear) .....	6308-NRJ
1974-1968	RWD, CH465/MC9 Trans Mfr Code, 4 Speed; Contains M1305GGTV & R1563TAV Front C/S Brg.:		1972-1968	4 Spd. Muncie (M20) Trans.:	
	Light Duty Kit .....	STK157		Bearing (Front) .....	M1305GGTV1
1974-1968	RWD, CH465/MC9 Trans Mfr Code, 4 Speed; 10 Bolt Side Cover, Case 10-5/8 " Long Overall:			Bearing (Rear) .....	308-ZNRJ
	Light Duty Kit .....	STK157	1972-1967	4 Spd. SM465 Trans.:	
1974-1968	RWD, CH465/MC9 Trans Mfr Code, 4 Speed; 10 Bolt Side Cover, Case 10-5/8 " Long Overall:			Bearing (Front) .....	M1305GGTV1
	Light Duty Kit .....	STK157		Bearing (Rear) .....	308-ZNRJ
1974-1968	RWD, CH465/MC9 Trans Mfr Code, 4 Speed; Contains M1305GGTV & R1563TAV Front C/S Brg.:			Bearing (Thrust) .....	NTA2031
	Light Duty Kit .....	STK157	1972-1966	4 Spd. New Process 435 Trans.:	
1974-1968	RWD, CH465/MC9 Trans Mfr Code, 4 Speed; 10 Bolt Side Cover, Case 10-5/8 " Long Overall:			Bearing (Front) .....	M24161-X1
	Light Duty Kit .....	STK157		Bearing (Rear) .....	B3216
1974-1968	RWD, CH465/MC9 Trans Mfr Code, 4 Speed; Contains M1305GGTV & R1563TAV Front C/S Brg.:			Bearing (Thrust) .....	NTA2031
	Light Duty Kit .....	STK157	1972-1962	4 Spd. SM420 Trans.:	
1974-1968	RWD, CH465/MC9 Trans Mfr Code, 4 Speed; 10 Bolt Side Cover, Case 10-5/8 " Long Overall:			Bearing (Rear) .....	308-ZNRJ
	Light Duty Kit .....	STK157	1972-1940	3 Spd. SM318 Trans.:	
1974-1968	RWD, CH465/MC9 Trans Mfr Code, 4 Speed; 10 Bolt Side Cover, Case 10-5/8 " Long Overall:			Bearing .....	[50] C407-Q
	Light Duty Kit .....	STK157	1972-1940	3 Spd. SM326 Trans.:	
1974-1968	RWD, CH465/MC9 Trans Mfr Code, 4 Speed; Contains M1305GGTV & R1563TAV Front C/S Brg.:			Bearing .....	[54] C407-Q
	Light Duty Kit .....	STK157	1972-1940	3 Spd. SM330 Trans.:	
1974-1968	RWD, CH465/MC9 Trans Mfr Code, 4 Speed; 10 Bolt Side Cover, Case 10-5/8 " Long Overall:			Bearing .....	[116] C407-Q
	Light Duty Kit .....	STK157	1966-1948	4 Spd. SM465 Trans.:	
1974-1968	RWD, CH465/MC9 Trans Mfr Code, 4 Speed; Contains M1305GGTV & R1563TAV Front C/S Brg.:			Bearing (Rear) .....	308-ZNRJ
	Light Duty Kit .....	STK157	1965-1960	4 Spd. Clark 261F Trans.:	
1974-1968	RWD, CH465/MC9 Trans Mfr Code, 4 Speed; 10 Bolt Side Cover, Case 10-5/8 " Long Overall:			Bearing (Front) .....	M28161
	Light Duty Kit .....	STK157		Bearing (Rear) .....	308-ZNRJ
1974-1968	RWD, CH465/MC9 Trans Mfr Code, 4 Speed; Contains M1305GGTV & R1563TAV Front C/S Brg.:		1961-1955	4 Spd. SM420 Trans.:	
	Light Duty Kit .....	STK157		Bearing (Front) .....	M1206-UV
1974-1968	RWD, CH465/MC9 Trans Mfr Code, 4 Speed; 10 Bolt Side Cover, Case 10-5/8 " Long Overall:			Bearing (Rear) .....	308-ZNRJ
	Light Duty Kit .....	STK157	1954-1948	4 Spd. SM420 Trans.:	
1974-1968	RWD, CH465/MC9 Trans Mfr Code, 4 Speed; Contains M1305GGTV & R1563TAV Front C/S Brg.:			Bearing (Rear) .....	308-ZNRJ
	Light Duty Kit .....	STK157	1954-1948	4 Spd. GMC Synchronized Trans.:	
1974-1968	RWD, CH465/MC9 Trans Mfr Code, 4 Speed; 10 Bolt Side Cover, Case 10-5/8 " Long Overall:			Bearing (Front) .....	M1206-UV
	Light Duty Kit .....	STK157		Bearing (Rear) .....	6308-NRJ
1974-1968	RWD, NP435 Trans Mfr Code, 4 Speed; With Taper I/S Brg.:		1954-1939	4 Spd. GMC Trans. w/o Synchronized Trans.:	
	Light Duty Kit .....	STK127		Bearing (Front) .....	M1206-UV
1974-1968	RWD, NP435 Trans Mfr Code, 4 Speed; With Taper I/S Brg.:			Bearing (Rear) .....	M1207-TV
	Light Duty Kit .....	STK127			(Continued)



## Passenger cars, light & medium trucks

### Chevrolet/GMC Truck 3/4 ton, 2500 (C series), 2500 (K series), 2500 (R series), 2500 (V series), C20/C25, K20/K25, P20/P25 -- (Cont.)

MFG./YEAR	MODEL & LOCATION	PART NO.	MFG./YEAR	MODEL & LOCATION	PART NO.
<b>Transmission-Manual (Cont.)</b>			<b>Transmission-Manual (Cont.)</b>		
<b>Front</b>			<b>Front (Cont.)</b>		
1995	5 Spd. (MW3) Trans.:		1972-1961	3 Spd. SM326 Trans.:	
	Seal .....	13557		Seal .....	12363
	(Speedi-Sleeve) .....	99138		(Speedi-Sleeve) .....	99125
1995-1992	5 Spd. (MG5) Trans.:			Bearing .....	6207-ZNRJ
	Seal .....	13888	1972-1961	3 Spd. Warner T16D & T89 Trans.:	
	(Speedi-Sleeve) .....	99139		Seal .....	12363
	Bearing .....	6307-2RSNRX		(Speedi-Sleeve) .....	99125
1994-1992	5 Spd. (MT8) Trans.:			Bearing .....	6307-NRJ
	Seal .....	13557	1972-1958	4 Spd. SM420 Trans.:	
	(Speedi-Sleeve) .....	99138		Seal (1.250" Shaft) .....	12363
1991	5 Spd. (MT8) Trans.:			(Speedi-Sleeve) (1.250" Shaft) .....	99125
	Seal .....	13557		Seal (1.625" Shaft) .....	16054
	(Speedi-Sleeve) .....	99138		(Speedi-Sleeve) (1.625" Shaft) .....	99162
1991-1990	4 Spd. Muncie (M20) Trans. 2nd Design:			Bearing .....	209-NRJ
	Seal .....	16054	1965-1960	4 Spd. Clark 261F Trans.:	
	(Speedi-Sleeve) .....	99162		Bearing .....	211-ZNRJ
	Bearing .....	6211-2RSNX	1960-1954	3 Spd. Warner T16D Trans.:	
1991-1988	5 Spd. (MG5) Trans.:			Bearing .....	6307-NRJ
	Seal .....	13888	1960-1938	3 Spd. SM318 Trans.:	
	(Speedi-Sleeve) .....	99139		Bearing .....	6207-ZNRJ
1990-1987	4 Spd. Muncie (M20) Trans. 1st Design:		1960-1938	3 Spd. SM326 Trans.:	
	Seal .....	16054		Bearing .....	6207-ZNRJ
	(Speedi-Sleeve) .....	99162	1957-1948	4 Spd. SM420 Trans.:	
	Bearing .....	N211-NRJ		Bearing .....	209-NRJ
1987-1982	4 Spd. New Process (MY6) Trans.:		1954-1948	4 Spd. GMC Synchronized Trans.:	
	Seal .....	12363		Bearing .....	209-NRJ
	(Speedi-Sleeve) .....	99125	1950-1947	4 Spd. GMC Trans. w/o Synchronized Trans.:	
1987-1968	4 Spd. Muncie (M20) Trans.:			Bearing .....	6209-J
	Seal (1.625" Shaft) .....	16054	<b>Mainshaft Pilot</b>		
	(Speedi-Sleeve) (1.625" Shaft) .....	99162	1991-1968	4 Spd. Muncie (M20) Trans.:	
	Seal (2.000" Shaft) .....	19982		Bearing .....	[17] QAR34604
	Bearing .....	N211-NRJ	1987-1982	4 Spd. New Process (MY6) Trans.:	
1987-1938	3 Spd. Saginaw Trans.:			Bearing .....	[16] QBR23549
	Seal .....	12363	1972-1966	4 Spd. New Process 435 Trans.:	
	(Speedi-Sleeve) .....	99125		Bearing .....	[14] Q15902
	Bearing .....	6207-ZNRJ		Bearing (Thrust) .....	FA35688
1982-1976	3 Spd. Tremac Trans.:		1972-1966	4 Spd. SM465 Trans.:	
	Seal .....	11123		Bearing .....	[17] QAR34604
	(Speedi-Sleeve) .....	99112	1972-1948	4 Spd. SM420 Trans.:	
	Bearing .....	208-NRJ		Bearing .....	[18] W1518-Q
1975-1969	3 Spd. Muncie Trans.:		1972-1938	3 Spd. SM318 Trans.:	
	Seal .....	12363		Bearing (Front) .....	[14] C1110-Q
	(Speedi-Sleeve) .....	99125	1965-1960	4 Spd. Clark 261F Trans.:	
	Bearing .....	6307-NRJ		Bearing .....	J36-1644
1972-1966	3 Spd. SM330 Trans.:		1954-1948	4 Spd. GMC Synchronized Trans.:	
	Seal .....	12363		Bearing .....	[18] W1518-Q
	(Speedi-Sleeve) .....	99125	<b>Rear</b>		
	Bearing .....	6307-NRJ	1995	5 Spd. (MW3) Trans.:	
1972-1966	4 Spd. New Process 435 Trans.:			Seal .....	19982
	Seal .....	12363		(Speedi-Sleeve) .....	99199
	(Speedi-Sleeve) .....	99125		Bearing .....	M804049/M804010
	Bearing .....	HM88649/HM88610	1995-1992	K Series w/5 Spd. (MG5) Trans.:	
1972-1966	4 Spd. SM465 Trans.:			Seal .....	14087
	Seal .....	16054		(Speedi-Sleeve) .....	99146
	(Speedi-Sleeve) .....	99162		Bearing .....	6307-2RSJ
	Bearing .....	N211-NRJ	1995-1988	C Series w/5 Spd. (MG5) Trans.:	
1972-1961	3 Spd. SM318 Trans.:			Seal .....	18521
	Seal .....	12363		(Speedi-Sleeve) .....	99187
	(Speedi-Sleeve) .....	99125		Bearing .....	6307-2RSJ
	Bearing .....	6207-ZNRJ			(Continued)

# Passenger cars, light & medium trucks

(Cont.) -- Chevrolet/GMC Truck 3/4 ton, 2500 (C series), 2500 (K series), 2500 (R series), 2500 (V series), C20/C25, K20/K25, P20/P25

MFG./YEAR	MODEL & LOCATION	PART NO.	MFG./YEAR	MODEL & LOCATION	PART NO.
<b>Transmission-Manual (Cont.)</b>			<b>Transmission-Manual (Cont.)</b>		
<b>Rear (Cont.)</b>			<b>Rear (Cont.)</b>		
1994-1991	5 Spd. (MT8) Trans.:		1976-1969	3 Spd. Muncie Trans.:	
	Seal .....19982			Seal .....15041	
	(Speedi-Sleeve) .....99199			(Speedi-Sleeve) .....99149	
	Bearing ..... M804049/M804010			(Speedi-Sleeve/Seal Kit) .....480150	
1991-1989	K Series w/5 Spd. (MG5) Trans. w/Code OCCU & OKDU:			Seal Kit .....15054	
	Seal .....14087			Bearing ..... 6307-NRJ	
	(Speedi-Sleeve) .....99146		1975-1954	3 Spd. Saginaw Trans. w/4 W/D:	
	Bearing ..... 6307-2RSNRX			Seal .....15041	
1991-1988	4 Spd. Muncie (M20) Trans.:			(Speedi-Sleeve) .....99149	
	Seal .....19982			(Speedi-Sleeve/Seal Kit) .....480150	
	(Speedi-Sleeve) .....99199			Seal Kit .....15054	
	Bearing ..... 6308-2RSNR			Bearing ..... 6307-J	
1989-1988	K Series w/5 Spd. (MG5) Trans., Code 9CCU & 9KDU:		1972	3 Spd. SM318 Trans.:	
	Seal .....14087			Seal .....15041	
	(Speedi-Sleeve) .....99146			(Speedi-Sleeve) .....99149	
	Bearing ..... 6307-2RSJ			(Speedi-Sleeve/Seal Kit) .....480150	
1988	2 W/D w/5 Spd. Getrag Trans.:			Seal Kit .....15054	
	Seal .....18521		1972-1967	4 Spd. SM465 Trans.:	
	(Speedi-Sleeve) .....99187			Seal .....19970	
	Bearing ..... 6307-2RSJ			(Speedi-Sleeve) .....99199	
1987-1982	4 Spd. New Process (MY6) Trans.:			Bearing ..... 308-ZNRJ	
	Seal .....15041		1972-1966	3 Spd. SM330 Trans.:	
	(Speedi-Sleeve) .....99149			Seal .....15041	
	(Speedi-Sleeve/Seal Kit) .....480150			(Speedi-Sleeve) .....99149	
	Seal Kit .....15054			(Speedi-Sleeve/Seal Kit) .....480150	
1987-1979	4 Spd. Muncie (M20) Trans.:			Seal Kit .....15054	
	Seal (1.500" Shaft) .....15041			Bearing ..... 6307-NRJ	
	(Speedi-Sleeve) (1.500" Shaft) .....99149		1972-1966	4 Spd. New Process 435 Trans.:	
	(Speedi-Sleeve) /Seal Kit (1.50" Sh. ) .....480150			Seal .....21103	
	Seal Kit (1.500" Shaft) .....15054			(Speedi-Sleeve) .....99212	
	Seal (2.000" Shaft) .....19982			Bearing ..... 308-ZNRJ	
	(Speedi-Sleeve) (2.00" Shaft) .....99199		1972-1963	3 Spd. Warner T16D & T89 Trans. Exc. H.D.:	
	Bearing ..... 6308-2RSNR			Seal .....15041	
1987-1954	3 Spd. Saginaw Trans. w/o 4 W/D & H.D. Trans.:			(Speedi-Sleeve) .....99149	
	Seal .....15041			(Speedi-Sleeve/Seal Kit) .....480150	
	(Speedi-Sleeve) .....99149			Seal Kit .....15054	
	(Speedi-Sleeve/Seal Kit) .....480150			Bearing ..... 6307-NRJ	
	Seal Kit .....15054		1972-1963	4 Spd. SM420 Trans. w/Parking Brk.:	
1982-1979	3 Spd. Tremac Trans.:			Seal .....22340	
	Seal .....15041			(Speedi-Sleeve) .....99225	
	(Speedi-Sleeve) .....99149			Bearing ..... 208-NRJ	
	(Speedi-Sleeve/Seal Kit) .....480150		1972-1955	3 Spd. SM326 Trans.:	
	Seal Kit .....15054			Seal .....15041	
	Bearing ..... 6207-ZNRJ			(Speedi-Sleeve) .....99149	
1978-1976	3 Spd. Tremac Trans.:			(Speedi-Sleeve/Seal Kit) .....480150	
	Seal .....15041			Seal Kit .....15054	
	(Speedi-Sleeve) .....99149		1972-1948	4 Spd. SM420 Trans. w/o Parking Brk.:	
	(Speedi-Sleeve/Seal Kit) .....480150			Seal .....22340	
	Seal Kit .....15054			(Speedi-Sleeve) .....99225	
	Bearing ..... 208-NRJ			Bearing ..... 6307-NRJ	
1978-1968	4 Spd. Muncie (M20) Trans.:		1967-1948	4 Spd. Muncie (M20) Trans.:	
	Seal .....19970			Seal .....22340	
	(Speed i-Sleeve) .....99199			(Speedi-Sleeve) .....99225	
	Bearing ..... 6307-NRJ			Bearing ..... 308-ZNRJ	
			1966-1955	3 Spd. Saginaw H.D. Trans.:	
				Seal .....22340	
				(Speedi-Sleeve) .....99225	

(Continued)

**Chevrolet/GMC Truck 3/4 ton, 2500 (C series), 2500 (K series), 2500 (R series), 2500 (V series), C20/C25, K20/K25, P20/P25 -- (Cont.)**

MFG./YEAR	MODEL & LOCATION	PART NO.	MFG./YEAR	MODEL & LOCATION	PART NO.
-----------	------------------	----------	-----------	------------------	----------

**Transmission-Manual (Cont.)**

**Rear (Cont.)**

<b>1966-1955 3 Spd. Warner T89 Trans.:</b>		
Seal .....	22340	
(Speedi-Sleeve) .....	99225	
Bearing .....	6307-NRJ	
<b>1966-1955 3 Spd. SM326 H.D. Trans.:</b>		
Seal .....	22340	
(Speedi-Sleeve) .....	99225	
<b>1966-1955 3 Spd. Warner T16D H.D. Trans.:</b>		
Seal .....	22340	
(Speedi-Sleeve) .....	99225	
Bearing .....	6307-NRJ	
<b>1966-1948 4 Spd. SM465 Trans.:</b>		
Seal .....	22340	
(Speedi-Sleeve) .....	99225	
Bearing .....	208-NRJ	
<b>1965-1960 4 Spd. Clark 261F Trans.:</b>		
Seal .....	21098	
(Speedi-Sleeve) .....	99212	
Bearing .....	6309-NRJ	
<b>1954-1948 4 Spd. GMC Synchronized Trans.:</b>		
Seal .....	22338	
(Speedi-Sleeve) .....	99225	
Bearing .....	6307-NRJ	
<b>1950-1947 4 Spd. GMC Trans. w/o Synchronized Trans.:</b>		
Bearing .....	6307-J	

**Reverse Idler**

<b>1977-1970 3 Spd. Muncie &amp; Saginaw Trans.:</b>		
Bearing .....	C407-Q	
<b>1972-1966 4 Spd. New Process 435 Trans.:</b>		
Bearing .....	[68] C407-Q	
<b>1965-1960 4 Spd. Clark 261F Trans.:</b>		
Bearing .....	[2] J36-1644	

**Shift Shaft**

<b>1987-1966 3 Spd. Trans.:</b>		
Seal .....	7410	
(Speedi-Sleeve) .....	99076	
(Speedi-Sleeve/Seal Kit) .....	480074	

**Speedometer Drive**

<b>1987-1970 All:</b>		
Seal .....	4010	

**Air Conditioning Clutch**

<b>1995-1962 All:</b>		
Bearing .....	5908-VAW	

**Air Conditioning Compressor**

<b>1991-1975 All:</b>		
Bearing .....	B128	

**Alternator**

<b>1995-1994 124 &amp; 140 Amp.:</b>		
Bearing (Rear) .....	DB65093	
<b>1993-1991 120 Amp.:</b>		
Bearing (Rear) .....	6000-2RSJ	
<b>1992-1991 100 &amp; 124 Amp.:</b>		
Bearing (Rear) .....	6000-2RSJ	
<b>1991 56, 66 &amp; 78 Amp.:</b>		
Bearing (Front) .....	6203-2RSJ	
Bearing (Rear) .....	MNJ471-S	

**Alternator (Cont.)**

<b>1990-1983 w/o 85, 100 &amp; 105 Amp.:</b>		
Bearing (Front) .....	6203-2RSJ	
Bearing (Rear) .....	MNJ471-S	
<b>1986-1983 80 Amp.:</b>		
Bearing (Front) .....	6203-ZJ	
Bearing (Rear) .....	MNJ471-S	
<b>1982-1973 w/o 70 &amp; 85 Amp.:</b>		
Bearing (Front) .....	6203-ZJ	
Bearing (Rear) .....	MNJ471-S	
<b>1981 70 &amp; 85 Amp.:</b>		
Bearing (Front) .....	6203-ZJ	
Bearing (Rear) .....	BA608	
<b>1972 w/o 62 Amp.:</b>		
Bearing (Front) .....	6203-ZJ	
Bearing (Rear) .....	MNJ471-S	
<b>1972-1966 62 Amp.:</b>		
Bearing (Front) .....	6305-J	
Bearing (Rear) .....	MNJ471-S	
<b>1971-1962 w/o 62 Amp.:</b>		
Bearing (Front) .....	6203-RSJ	
Bearing (Rear) .....	MNJ471-S	

**Drive Shaft**

<b>1995-1979 Spicer 1280, 1310, 1330 &amp; 1410 U-joint Series w/35mm End Yoke:</b>		
Bearing Only .....	BR88107	
Bearing & Support .....	HB88107-A	
<b>1995-1973 Spicer 1280 &amp; 1310 U-joint Series w/30mm End Yoke:</b>		
Bearing & Support .....	HB206-FF	
<b>1995-1992 C Series w/2 Piece Drive Sh.:</b>		
Bearing & Support .....	HB88532	
<b>1990-1987 R &amp; V Series w/2 Piece Drive Sh.:</b>		
Bearing & Support .....	HB88532	
<b>1978-1946 2 W/D w/Leaf Springs:</b>		
Bearing Only .....	BR88107	
Bearing & Support .....	HB88107-A	
<b>1972-1964 2 W/D w/Coil Springs:</b>		
Bearing Only .....	6206-2RSJ	
Bearing & Support .....	HB206-FF	
<b>1947-1946 All:</b>		
Seal .....	14875	
(Speedi-Sleeve) .....	99149	
<b>1940-1938 All:</b>		
Bearing Only .....	■ 6207-NRJ	

**Engine**

**Crankshaft-Rear**

<b>1995-1992 381 (6.2L) &amp; 396 (6.5L) Diesel Eng.:</b>		
Seal .....	45210	
(Speedi-Sleeve) .....	99452	
<b>1995-1991 454 (7.4L) Eng.:</b>		
Seal .....	43303	
(Speedi-Sleeve) .....	99435	
<b>1995-1986 262 (4.3L), 305 (5.0L) &amp; 350 (5.7L) Eng.:</b>		
Seal (Viton) .....	37026	
(Speedi-Sleeve) (Viton) .....	99369	
Seal .....	37027	
(Speedi-Sleeve) .....	99364	
<b>1991-1985 379 (6.2L) Diesel Eng.:</b>		
Seal Kit .....	287	

(Continued)

# Passenger cars, light & medium trucks

(Cont.) -- Chevrolet/GMC Truck 3/4 ton, 2500 (C series), 2500 (K series), 2500 (R series), 2500 (V series), C20/C25, K20/K25, P20/P25

MFG./YEAR	MODEL & LOCATION	PART NO.	MFG./YEAR	MODEL & LOCATION	PART NO.
<b>Engine (Cont.)</b>			<b>Generator (Cont.)</b>		
<b>Crankshaft-Rear (Cont.)</b>			1946-1939 6 Volt 25 Amp.:		
1989-1985	292 (4.8L) Eng.:		Bearing (Front)		6204-J
	Seal Kit	199	Bearing (Rear)		6203-J
1985-1969	305 (5.0L), 307 (5.0L) & 350 (5.7L) Eng.:		1946-1939 6 Volt 30 Amp.:		
	Seal Kit	199	Bearing (Front)		6305-J
1985-1968	6 Cyl. Eng.:		Bearing (Rear)		6203-J
	Seal Kit	199	1946-1939 12 Volt 25 Amp.:		
1984-1982	381 (6.2L) Eng.:		Bearing (Front)		6205-J
	Seal Kit	191	Bearing (Rear)		6203-J
1984-1973	454 (7.4L) Eng.:		<b>Power Takeoff</b>		
	Seal Kit	216	<b>Input Shaft</b>		
1980-1975	400 Eng.:		1946	280 Series w/2104 Pwr. Takeoff:	
	Seal Kit	199	Bearing		[2] 6306-J
1972-1968	396, 400 & 402 Eng.:		<b>Output Shaft</b>		
	Seal Kit	216	1946	280 Series w/2 Spd. Pwr. Takeoff:	
1968-1960	283 & 327 Eng.:		Seal		12530
	Seal Kit	199	(Speedi-Sleeve)		99125
1958-1955	265 & 283 Eng.:		Bearing (Front)		6207-J
	Seal Kit	185	Bearing (Rear)		5207-E
<b>Accessory Drive Belt Idler</b>			<b>Shift Shaft</b>		
1993-1988	454 (7.4L) Eng.:		1946	280 Series w/2104 Pwr. Takeoff:	
	Bearing (Pulley)	VKM900007	Seal		6816
<b>Fuel Injector Pump</b>			<b>Steering-Power</b>		
1987-1982	381 (6.2L) Diesel Eng.:		<b>Pitman Shaft</b>		
	Bearing	B168	1991-1988	P Series & Suburban:	
<b>Timing Belt Idler</b>			Seal (Inner)		12371
1995	4.3L, 5.0L, 5.7L & 7.4L Eng.:		Seal (Outer)		12355
	Bearing & Housing Assy.	VKM900052	Seal Kit		12392
<b>Timing Cover</b>			1987-1967 All:		
1995-1993	454 (7.4L) Eng.:		Seal (Inner)		12371
	Seal	23300	Seal (Outer)		12355
	(Speedi-Sleeve)	99233	Seal Kit		12392
	(Speedi-Sleeve/Seal Kit)	480233	1995-1987 381 (6.2L) & 396 (6.5L) Diesel Eng.:		
1995-1987	381 (6.2L) & 396 (6.5L) Diesel Eng.:		Seal		23300
	Seal	23300	(Speedi-Sleeve)		99233
	(Speedi-Sleeve)	99233	(Speedi-Sleeve/Seal Kit)		480233
	(Speedi-Sleeve/Seal Kit)	480233	1995-1938 w/o 3-53, 381 (6.2L) Diesel, 395 (6.5L) & 454 (7.4L) Gas Eng.:		
1995-1938	w/o 3-53, 381 (6.2L) Diesel, 395 (6.5L) & 454 (7.4L) Gas Eng.:		Seal		17286
	Seal	17286	(Speedi-Sleeve)		99176
	(Speedi-Sleeve)	99176	(Speedi-Sleeve/Seal Kit)		480177
	(Speedi-Sleeve/Seal Kit)	480177	1992-1973 454 (7.4L) Eng.:		
1992-1973	454 (7.4L) Eng.:		Seal		23300
	Seal	23300	(Speedi-Sleeve)		99233
	(Speedi-Sleeve)	99233	(Speedi-Sleeve/Seal Kit)		480233
	(Speedi-Sleeve/Seal Kit)	480233	1986-1982 379 (6.2L) Diesel Eng.:		
1986-1982	379 (6.2L) Diesel Eng.:		Seal		23300
	Seal	23300	(Speedi-Sleeve)		99233
	(Speedi-Sleeve)	99233	(Speedi-Sleeve/Seal Kit)		480233
	(Speedi-Sleeve/Seal Kit)	480233	<b>Generator</b>		
1966-1951 12 Volt 40, 50 & 55 Amp.:			1966-1951 12 Volt 40, 50 & 55 Amp.:		
	Bearing (Front)	BR8605	Bearing (Front)		6203-RSJ
1966-1947	12 Volt Exc. 40, 50 & 55 Amp.:		Bearing (Rear)		6203-RSJ
	Bearing (Front)	6203-RSJ	1955-1951 6 Volt 40 Amp.:		
	Bearing (Rear)	6203-RSJ	Bearing (Front)		BR8605
1955-1951	6 Volt 40 Amp.:		Bearing (Rear)		BR8503
	Bearing (Front)	BR8605			
	Bearing (Rear)	BR8503			

(Continued)

**Chevrolet/GMC Truck 3/4 ton, 2500 (C series), 2500 (K series), 2500 (R series), 2500 (V series), C20/C25, K20/K25, P20/P25 -- (Cont.)**

MFG./YEAR	MODEL & LOCATION	PART NO.	MFG./YEAR	MODEL & LOCATION	PART NO.
<b>Steering-Standard</b>					
<b>Pitman Shaft</b>					
1987-1938	All:				
	Seal .....	11055			
<b>Worm Shaft</b>					
1987-1960	All:				
	Seal .....	7481			

**Chevrolet/GMC Truck 1 ton, 3500 (C series), 3500 (K series), 3500 (R series), 3500 (V series), C30/C35, D30/D35, K30/K35, P30/P35**

**Wheel Front (2 W/D)**

1995-1991 C Series w/12,500 lb. Thru 15,000 lb. G.V.W. & 183" W.B.:

Seal Kit .....21294

Bearing (Inner) ..... BR26884/BR26823

Bearing (Outer) ..... 15103-S/BR15243

1995-1991 C Series w/o 12,500 lb. Thru 15,000 lb. G.V.W. & 183" W.B.:

Seal .....21756

Bearing (Inner) ..... BR35  
(Set Components) ..... LM501349/LM501310

Bearing (Outer) ..... 15103-S/BR15243

1995-1991 P Series w/o (FS3) Option (I Beam Suspension):

Seal .....21756

Bearing (Inner) ..... BR35  
(Set Components) ..... LM501349/LM501310

Bearing (Outer) ..... 15103-S/BR15243

1995-1973 P Series w/(FS3) Option (I Beam Suspension):

Seal Kit .....21294

Bearing (Inner) ..... BR26884/BR26823

Bearing (Outer) ..... 15103-S/BR15243

1990-1973 P Series w/o (FS3) Option (I Beam Suspension):

Seal .....21771

Bearing (Inner) ..... BR35  
(Set Components) ..... LM501349/LM501310

Bearing (Outer) ..... 15103-S/BR15243

1990-1971 Exc. P Series:

Seal .....21771

Bearing (Inner) ..... BR35  
(Set Components) ..... LM501349/LM501310

Bearing (Outer) ..... 15103-S/BR15243

1972-1971 P Series w/11,000 lb. Axle:

Seal .....21771

Bearing (Inner) ..... BR35  
(Set Components) ..... LM501349/LM501310

Bearing (Outer) ..... BR24780/BR24720

1972-1963 P Series w/o 11,000 lb. Axle:

Seal .....21771

Bearing (Inner) ..... BR2777/BR2720

Bearing (Outer) ..... BR3  
(Set Components) ..... M12649/M12610

1970-1963 Exc. P Series:

Seal .....21771

Bearing (Inner) ..... BR2777/BR2720

Bearing (Outer) ..... BR3  
(Set Components) ..... M12649/M12610

**Wheel Front (2 W/D) (Cont.)**

1967 P Series w/11,000 lb. Axle:

Seal .....24920

Bearing (Inner) ..... BR25583/BR25519

Bearing (Outer) ..... 15103-S/BR15243

1962-1960 Exc. P Series:

Seal .....20965

Bearing (Inner) ..... B48

Bearing (Outer) ..... B47

1962-1960 P Series:

Seal (2.063" Shaft) .....20669

Seal (2.094" Shaft) .....20975

Bearing (Inner) ..... B44

Bearing (Outer) ..... B47

1959-1953 All:

Seal (2.063" Shaft) .....20669

Seal (2.094" Shaft) .....20975

Bearing (Inner) ..... B44

Bearing (Outer) ..... B45

**Wheel Front (4 W/D)**

1995-1988 K Series:

Seal .....31504

Hub Assembly ..... BR930406

Sensor Harness (L.H.) (Rnd. Ctr. Br kt.).....SC406LH

Sensor Harness (R.H.) (Rnd. Ctr. Br kt.).....SC406RH

Sensor Harness (L.H.) (Sqr. Ctr. Br kt.).....SC406ALH

Sensor Harness (R.H.) (Sqr. Ctr. Br kt.).....SC406BRH

1991-1988 V Series:

Seal .....27452

Bearing (Inner) ..... 387-A/382-A

Bearing (Outer) ..... BR38  
(Set Components) ..... LM104949/LM104911

1987-1977 All:

Seal .....27452

Bearing (Inner) ..... 387-AS/382-A

Bearing (Outer) ..... BR38  
(Set Components) ..... LM104949/LM104911

1959-1953 All:

Seal (2.063" Shaft) .....20669

Seal (2.094" Shaft) .....20975

Bearing (Inner) ..... B44

Bearing (Outer) ..... B45

**Axle Shaft**

1995-1988 K Series Exc. Cab & Chas.:

Seal .....16116

Bearing (Inner) ..... B2610A

Bearing (Outer) ..... B2410

(Continued)

# Passenger cars, light & medium trucks

(Cont.) -- Chevrolet/GMC Truck 1 ton, 3500 (C series), 3500 (K series), 3500 (R series), 3500 (V series), C30/C35, D30/D35, K30/K35, P30/P35

MFG./YEAR	MODEL & LOCATION	PART NO.	MFG./YEAR	MODEL & LOCATION	PART NO.
<b>Wheel Front (4 W/D) (Cont.)</b>			<b>Wheel Rear (Cont.)</b>		
<b>Axle Shaft (Cont.)</b>			1972-1947 H052 & H072 Axles:		
1991-1990	K Series w/Cab & Chas. w/o H.D. (F44):		Seal		28426
	Seal	16116	(Speedi-Sleeve/Seal Kit)		28446
	Bearing (Inner)	B2012	Bearing (Inner)		KD11786-Y
	Bearing (Outer)	B2410	(Set Components)		388-A/BR382
1991-1987	V Series:		Bearing (Outer)		KB11630-Z
	Seal	15692	(Set Components)		368-S/BR362
1986-1977	All:		<b>Pinion</b>		
	Seal	15692	<b>Front Axle</b>		
1959-1957	FH065 Axle:		1995-1988	K Series:	
	Seal	16650	Seal		19428
			(Speedi-Sleeve)		99193
<b>Spindle Hub</b>			Bearing (Front)		HM804846/HM804810
1991-1977	Exc. K Series From '88:		Bearing (Rear)		HM88649/HM88610
	Seal	711822	1991-1987	V Series:	
	V-Ring	400659	Seal		18891
	Bearing	B2414	(Speedi-Sleeve)		99187
	Seal & Bearing Kit	BK3	Bearing (Front)		HM88542/HM88510
<b>Steering Knuckle</b>			Bearing (Rear)		HM803146/HM803110
1991-1977	Exc. K Series From '88:		1986-1977	4 W/D:	
	Seal (Lower)	14700	Seal		18891
	Seal (Upper)	16787	(Speedi-Sleeve)		99187
	Bearing (Lower)	BR23100/BR23256	Bearing (Front)		HM88542/HM88510
1959-1957	FH065 Axle:		Bearing (Rear)		HM803146/HM803110
	Bearing	[2] BR41125/BR41286	1959-1957	All:	
<b>Wheel Rear</b>			Seal		25970
1995-1991	C & K Series w/11.50" Ring Gear:		(Speedi-Sleeve)		99259
	Seal	31870	Seal (Felt)		528
	Bearing (Inner)	KD12051-Z	Bearing (Front)		A1011
	(Set Components)	395-CS/394-CS	Bearing (Rear)		MU5205UM26
	Bearing (Outer)	KB11786-Y	<b>Rear Axle</b>		
	(Set Components)	BR387/BR382	1995-1989	10.50" Ring Gear & 1st Design w/o Dana Axle:	
1995-1973	C, K, R & V Series w/10.50" Ring Gear:		Seal		21955
	Seal	28426	(Speedi-Sleeve)		99220
	Seal Kit	28446	Bearing (Front)		M802048/M802011
	Bearing (Inner)	387-AS/382-A	Bearing (Pilot)		R1581-TV
	Bearing (Outer)	BR38	Bearing (Rear)		HM903249/HM903210
	(Set Components)	LM104949/LM104911	1995-1989	C Series w/11.50" Ring Gear:	
1995-1973	P Series w/10.50" Ring Gear w/o Dana Axle & 4 Whl. Disc Brks.:		Seal		25140
	Seal	28426	(Speedi-Sleeve)		99250
	Seal Kit	28446	Bearing (Front)		M802048/M802011
	Bearing (Inner)	387-AS/382-A	Bearing (Rear)		HM807046/HM807010
	Bearing (Outer)	BR38	1995-1989	P Series w/11.50" Ring Gear & 4 Whl. Disc Brks. w/o M.H.C.:	
	(Set Components)	LM104949/LM104911	Seal		25140
1995-1973	P Series w/4 Whl. Disc Brks.:		(Speedi-Sleeve)		99250
	Seal	31870	Bearing (Front)		M802048/M802011
	Bearing (Inner)	KD12051-Z	Bearing (Rear)		HM807046/HM807010
	(Set Components)	395-CS/394-CS	1991	C Series w/12.00" Ring Gear & 4 Whl. Disc Brks.:	
	Bearing (Outer)	KB11786-Y	Seal		21379
	(Set Components)	BR387/BR382	(Speedi-Sleeve)		99212
1991-1988	C & K Series w/9.50" Ring Gear:		Bearing (Front)		BR44143/BR44348
	Seal	17005	Bearing (Pilot)		MU1305TM17
	Bearing	R1561-TV	Bearing (Rear)		M903345/M903310
	(Axle Repair Brg. Assy.)	• R1561-G			(Continued)
1972-1967	H110 Axle:				
	Seal	31870			
	Bearing (Inner)	KD12051-Z			
	(Set Components)	395-CS/394-CS			
	Bearing (Outer)	KB11786-Y			
	(Set Components)	BR387/BR382			

## Passenger cars, light & medium trucks

### Chevrolet/GMC Truck 1 ton, 3500 (C series), 3500 (K series), 3500 (R series), 3500 (V series), C30/C35, D30/D35, K30/K35, P30/P35 -- (Cont.)

MFG./YEAR	MODEL & LOCATION	PART NO.	MFG./YEAR	MODEL & LOCATION	PART NO.
-----------	------------------	----------	-----------	------------------	----------

#### Pinion (Cont.)

##### Rear Axle (Cont.)

<b>1991-1988 C &amp; K Series w/9.50" Ring Gear:</b>		
Seal .....		19314
(Speedi-Sleeve) .....		99193
Bearing (Front) .....	HM88649/HM88610	
Bearing (Rear) .....	HM804846/HM804810	
<b>1991-1985 C, K, R &amp; V Series w/10.50" Dana Axle:</b>		
Seal .....		18891
(Speedi-Sleeve) .....		99187
Bearing (Front) .....	HM88542/HM88510	
Bearing (Rear) .....	HM807040/HM807010	
<b>1991-1982 P Series w/12.00" Ring Gear &amp; 4 Whl. Disc Brks. w/o M.H.C.:</b>		
Seal .....		21379
(Speedi-Sleeve) .....		99212
Bearing (Front) .....	BR44143/BR44348	
Bearing (Pilot) .....	MU1305TM17	
Bearing (Rear) .....	M903345/M903310	
<b>1990-1973 M.H.C. &amp; 4 Whl. Disc Brks.:</b>		
Seal .....		18891
(Speedi-Sleeve) .....		99187
Bearing (Front) .....	HM88542/HM88510	
Bearing (Rear) .....	HM807040/HM807010	
<b>1988-1986 C, K, P, R &amp; V Series w/10.50" Ring Gear 1st Design w/o Dana Axle &amp; P Series w/4 Whl. Disc Brks.:</b>		
Seal .....		21955
Bearing (Front) .....	M802048/M802011	
Bearing (Pilot) .....	R1581-TV	
Bearing (Rear) .....	HM803149/HM803110	
<b>1985 C, K &amp; P Series w/10.50" Ring Gear Exc. Dana Axle:</b>		
Seal .....		21955
Bearing (Front) .....	M802048/M802011	
Bearing (Pilot) .....	DC57524	
Bearing (Rear) .....	HM803149/HM803110	
<b>1984-1973 C, K &amp; P Series w/10.50" Ring Gear w/o Dana Axle &amp; P Series w/4 Whl. Disc Brks.:</b>		
Seal .....		21955
Bearing (Front) .....	M802048/M802011	
Bearing (Pilot) .....	R1581-TV	
Bearing (Rear) .....	HM803149/HM803110	
<b>1984-1973 Spicer Axle w/10.50" Ring Gear Exc. P Series:</b>		
Seal .....		18891
(Speedi-Sleeve) .....		99187
Bearing (Front) .....	HM88542/HM88510	
Bearing (Rear) .....	HM807040/HM807010	
<b>1981-1946 H110 Axle:</b>		
Seal .....		25970
(Speedi-Sleeve) .....		99259
Seal (Felt) .....		528
Bearing (Front) .....	5310-WA	
Bearing (Rear) .....	MU1306UM23	
<b>1973-1968 M.H.C. Exc. 4 Whl. Disc Brks.:</b>		
Seal .....		21955
Bearing (Front) .....	A1011	
Bearing (Rear) .....	HM803149/HM803110	

#### Pinion (Cont.)

##### Rear Axle (Cont.)

<b>1972-1966 P35 w/T150 Axle:</b>		
Seal .....		25970
(Speedi-Sleeve) .....		99259
Bearing (Front) .....	HM804848/HM804810	
Bearing (Pilot) .....	M5305-TV	
Bearing (Rear) .....	55200-C/BR55437	
<b>1972-1961 H052 &amp; H072 Axles:</b>		
Seal .....		25970
(Speedi-Sleeve) .....		99259
Bearing (Front) .....	A1011	
Bearing (Rear) .....	M5205-UV	
<b>1960-1946 H052 &amp; H072 Axles:</b>		
Seal .....		25970
(Speedi-Sleeve) .....		99259
Seal (Felt) .....		528
Bearing (Front) .....	A1011	
Bearing (Rear) .....	MU5205UM26	
<b>1946-1939 Rockwell Standard 53611, 53617, 53657 &amp; 53658 Axles:</b>		
Seal .....		13738
(Speedi-Sleeve) .....		99138
Bearing (Front) .....	BR44150/BR44348	
Bearing (Pilot) .....	RS5305-W	
Bearing (Rear) .....	BR44150/BR44348	

#### Differential

##### Kit

<b>1995-1991 Dana 80 Axle:</b>		
Standard Seal and Bearing Kit Rear .....		SDK337
<b>1995-1988 9.25 " Ring Gear:</b>		
Standard Seal and Bearing Kit Front .....		SDK324-A
<b>1995-1988 10.50 " 2nd Design Ring Gear:</b>		
Standard Seal and Bearing Kit Rear .....		SDK325-A
Master Seal and Bearing Kit Rear .....		SDK325-AMK
<b>1995-1983 9.50 " Ring Gear:</b>		
Standard Seal and Bearing Kit Rear .....		SDK324
<b>1994-1973 Dana 70HD Axle:</b>		
Standard Seal and Bearing Kit Rear .....		SDK332-HD
<b>1991-1973 Dana 60 Axle:</b>		
Standard Seal and Bearing Kit Front .....		SDK331
Standard Seal and Bearing Kit Rear .....		SDK331
<b>1990-1973 Dana 70 Axle:</b>		
Standard Seal and Bearing Kit Rear .....		SDK332
<b>1988-1972 10.50 " 1st Design Ring Gear:</b>		
Standard Seal and Bearing Kit Rear .....		SDK325

##### Front Axle

<b>1995-1988 K Series:</b>		
Bearing .....		BR42
(Set Components) .....	JLM506849A/JLM506811	
<b>1991-1987 V Series:</b>		
Bearing .....		387-A/382-S
<b>1986-1977 4 W/D:</b>		
Bearing .....		387-A/382-S
<b>1959-1957 4 W/D:</b>		
Bearing .....		KD11786-Y
(Set Components) .....		388-A/BR382

(Continued)



## Passenger cars, light & medium trucks

(Cont.) -- Chevrolet/GMC Truck 1 ton, 3500 (C series), 3500 (K series), 3500 (R series), 3500 (V series), C30/C35, D30/D35, K30/K35, P30/P35

MFG./YEAR	MODEL & LOCATION	PART NO.	MFG./YEAR	MODEL & LOCATION	PART NO.
<b>Differential (Cont.)</b>			<b>Clutch (Cont.)</b>		
<b>Rear Axle</b>			<b>Release (Cont.)</b>		
1995-1975	11.50" Ring Gear:		1968-1967	3-53 Diesel Eng. 1st Design:	
	Bearing .....	BR469/453-X		Bearing Only .....	N1085
1995-1973	10.50" Ring Gear w/o Dana Axle:			Bearing Assembly .....	N1086-SA
	Bearing .....	387-AS/382-A	1967-1962	283 Eng.:	
1991-1988	C & K Series w/9.50" Ring Gear:			Bearing Only .....	N1085
	Bearing .....	BR42		Bearing Assembly .....	N1086-SA
	(Set Components) .....	JLM506849A/JLM506811	1967-1938	6 Cyl. Exc. 250 Eng.:	
1991-1982	12.00" Ring Gear:			Bearing Only .....	N1085
	Bearing .....	BR395/394-A		Bearing Assembly .....	N1086-SA
1991-1973	10.50" Dana Axle Exc. P Series:		1961-1958	283 Eng.:	
	Bearing .....	BR469/453-X		Bearing Assembly .....	▲ N1488
1984-1983	P Series w/8.50" Ring Gear:			(Heavy Duty) .....	N4068
	Bearing .....	BR72	1957-1955	265 Eng. 1st Design:	
	(Set Components) .....	LM501349/LM501314		Bearing Only .....	N1085
1981-1955	H110 Axle:			Bearing Assembly .....	N1086-SA
	Bearing .....	KA11820-Z	1957-1955	265 Eng. 2nd Design:	
1972-1947	H052 & H072 Axles:			Bearing Assembly .....	▲ N1488
	Bearing .....	KD11786-Y		(Heavy Duty) .....	N4068
	(Set Components) .....	388-A/BR382	<b>Transfer Case</b>		
1971	8.50" Ring Gear:		<b>Kit</b>		
	Bearing .....	BR72	1995-1994	4401:	
	(Set Components) .....	LM501349/LM501314		Transfer Case Kit .....	STCK1356
1957-1956	Rockwell Std. E370 Axle:		1995-1990	4470:	
<b>Clutch</b>				Transfer Case Kit .....	STCK4470
<b>Pilot</b>			1993-1989	1370:	
1995-1973	All:			Transfer Case Kit .....	STCK1356
	Bearing (Bushing) .....	B657	1991-1988	241 w/ BD50-8 I/S Brg:	
1972-1966	P Series w/3-53 Diesel Eng.:			Transfer Case Kit .....	STCK241
	Bearing .....	BR7109	1984-1977	205 w/ 6307N Input Bearing:	
1972-1939	Exc. P Series w/3-53 Diesel Eng.:			Transfer Case Kit .....	STCK205-G
	Bearing (Bushing) .....	B657	1984-1977	205 w/ 6210N Input Bearing:	
<b>Release</b>				Transfer Case Kit .....	STCK205-GDM4
1995-1993	All:		1974-1970	205 w/ 6307N Input Bearing:	
	Bearing Assembly .....	N4172		Transfer Case Kit .....	STCK205-G
1992-1985	All:		1974-1970	205 w/ 6210N Input Bearing:	
	Bearing Assembly .....	▲ N3068-SA		Transfer Case Kit .....	STCK205-GDM4
	(Heavy Duty) .....	N4068	<b>Front Output Shaft</b>		
1991	P Series w/3.9L Eng.:		1995-1992	Borg Warner 4470:	
	Bearing Assembly .....	N1444-SA		Seal .....	18994
1990-1989	3.9L Diesel Eng.:			Bearing .....	6207-J
	Bearing Only .....	N3079	1995-1992	Borg Warner 4401:	
1984-1973	All:			Seal .....	18994
	Bearing Assembly .....	▲ N1488		Bearing (Front) .....	6207-J
	(Heavy Duty) .....	N4068		Bearing (Rear) .....	B2012
1972-1968	292 Eng.:		1991	New Process 205:	
	Bearing Assembly .....	▲ N1488		Bearing (Front) .....	6307-NRJ
	(Heavy Duty) .....	N3068-SA	1991-1990	Borg Warner 4470 w/(F44) Chas.:	
1972-1968	8 Cyl. Eng.:			Seal .....	18994
	Bearing Assembly .....	▲ N1488		Bearing (Front) .....	6208-J
	(Heavy Duty) .....	N4068		Bearing (Rear) .....	6207-J
1972-1966	250 Eng. w/10" Clutch:		1991-1989	Borg Warner 1370 Exc. (F44) Chas.:	
	Bearing Only .....	N1085		Seal .....	18994
	Bearing Assembly .....	N1086-SA	1990-1988	New Process 241C:	
1972-1966	250 Eng. w/11" Clutch:			Seal .....	18771
	Bearing Assembly .....	▲ N1488		(Speedi-Sleeve) .....	99187
	(Heavy Duty) .....	N4068		Bearing (Front) .....	6207-J
1969-1967	3-53 Diesel Eng. 2nd Design:			Bearing (Rear) .....	J2416
	Bearing Assembly .....	▲ N1488			(Continued)
	(Heavy Duty) .....	N4068			

**Chevrolet/GMC Truck 1 ton, 3500 (C series), 3500 (K series), 3500 (R series), 3500 (V series), C30/C35, D30/D35, K30/K35, P30/P35 -- (Cont.)**

MFG./YEAR	MODEL & LOCATION	PART NO.	MFG./YEAR	MODEL & LOCATION	PART NO.
-----------	------------------	----------	-----------	------------------	----------

**Transfer Case (Cont.)**

**Front Output Shaft (Cont.)**

<b>1990-1985</b>	<b>New Process 205 w/Man. Locking Hubs:</b>	
Seal	.....	<b>17720</b>
(Speedi-Sleeve)	.....	99174
Bearing (Front)	.....	<b>6307-NRJ</b>
Bearing (Rear)	.....	<b>M28161</b>
<b>1986-1985</b>	<b>New Process 205 w/Auto. Locking Hubs:</b>	
Seal	.....	<b>17720</b>
(Speedi-Sleeve)	.....	99174
Bearing (Front)	.....	<b>6307-NRJ</b>
Bearing (Rear)	.....	<b>B2416</b>
<b>1984-1981</b>	<b>New Process 208:</b>	
Seal	.....	<b>18662</b>
(Speedi-Sleeve)	.....	99187
Bearing (Front)	.....	<b>B2816</b>
Bearing (Rear)	.....	<b>B2416</b>
Bearing (Thrust)	.....[2]	<b>NTA2840</b>
<b>1979-1973</b>	<b>New Process 203:</b>	
Seal	.....	<b>17720</b>
(Speedi-Sleeve)	.....	99174
Bearing (Front)	.....	<b>6307-NRJ</b>
Bearing (Rear)	.....	<b>M28161</b>
Bearing (Gear)	.....[64]	<b>QBR23549</b>
<b>1974-1971</b>	<b>Spicer 20:</b>	
Seal	.....	<b>16245</b>
(Speedi-Sleeve)	.....	99162
Bearing	.....	<b>BR14116/BR14276</b>
<b>1959-1957</b>	<b>All:</b>	
Seal (2.125" Shaft)	.....	<b>21100</b>
(Speedi-Sleeve) (2.125" Shaft)	.....	99212
Seal (2.625" Shaft)	.....	<b>26190</b>
(Speedi-Sleeve) (2.625" Shaft)	.....	99262
Bearing (Front)	.....	<b>208-NRJ</b>
Bearing (Rear)	.....	<b>6211-NRJ</b>
<b>Idler Shaft</b>		
<b>1990-1973</b>	<b>New Process 205:</b>	
Bearing	.....[2]	<b>BR2793/BR2720</b>
<b>1959-1957</b>	<b>All:</b>	
Bearing	.....[2]	<b>BR31597/BR31521</b>
<b>Input Shaft</b>		
<b>1995-1992</b>	<b>All:</b>	
Seal	.....	<b>18994</b>
Bearing	.....	<b>6010-J</b>
<b>1991</b>	<b>New Process 241C:</b>	
Seal	.....	<b>19255</b>
(Speedi-Sleeve)	.....	99193
<b>1991-1990</b>	<b>Borg Warner 4470 w/(F44) Chas.:</b>	
Seal	.....	<b>18994</b>
Bearing	.....	<b>6010-J</b>
<b>1991-1989</b>	<b>Borg Warner 1370 w/Ext. Cab &amp; Dual Rr. Whls.:</b>	
Seal	.....	<b>18994</b>
Bearing	.....	<b>6010-J</b>
<b>1991-1985</b>	<b>New Process 205:</b>	
Seal	.....	<b>19255</b>
(Speedi-Sleeve)	.....	99193
Bearing	.....	<b>210-NRJ</b>
<b>1990</b>	<b>New Process 241C w/Ext. Cab w/o Dual Rr. Whls.:</b>	
Seal	.....	<b>19255</b>
(Speedi-Sleeve)	.....	99193

**Transfer Case (Cont.)**

**Input Shaft (Cont.)**

<b>1990-1988</b>	<b>New Process 241C w/o Ext. Cab &amp; Dual Rr. Whls.:</b>	
Seal	.....	<b>19255</b>
(Speedi-Sleeve)	.....	99193
Bearing	.....	<b>5210-ANRX</b>
<b>1984-1981</b>	<b>New Process 208:</b>	
Seal	.....	<b>19255</b>
(Speedi-Sleeve)	.....	99193
Bearing	.....[2]	<b>B5020</b>
Bearing (Thrust)	.....	<b>AXK5070</b>
<b>1979-1973</b>	<b>New Process 203:</b>	
Seal	.....	<b>19255</b>
(Speedi-Sleeve)	.....	99193
Bearing	.....[2]	<b>210-NRJ</b>
<b>1959-1957</b>	<b>All:</b>	
Bearing (Front)	.....	<b>308-ZJ</b>
Bearing (Rear)	.....	<b>307-ZJ</b>
<b>Mainshaft Pilot</b>		
<b>1990-1988</b>	<b>Borg Warner 1370:</b>	
Bearing	.....	<b>B2012</b>
<b>1990-1973</b>	<b>New Process 205:</b>	
Bearing	.....[15]	<b>QAR29523</b>
<b>1989-1988</b>	<b>K Series w/NP241C w/o Dual Rr. Whls.:</b>	
Bearing	.....	<b>BH1810</b>
<b>1987-1981</b>	<b>New Process 208:</b>	
Bearing	.....	<b>B2012</b>
Bearing (Thrust)	.....	<b>TC2435</b>
<b>1974-1971</b>	<b>Spicer 20:</b>	
Bearing	.....	<b>JH1612</b>
<b>Mounting Adapter</b>		
<b>1980-1973</b>	<b>THM350 Trans.:</b>	
Seal	.....	<b>19760</b>
(Speedi-Sleeve)	.....	99199
<b>1980-1971</b>	<b>Man. Trans.:</b>	
Seal	.....	<b>13676</b>
(Speedi-Sleeve)	.....	99138
<b>Oil Pump</b>		
<b>1990-1988</b>	<b>New Process 241C:</b>	
Seal	.....	<b>22306</b>
(Speedi-Sleeve)	.....	99225
<b>1984-1981</b>	<b>New Process 208:</b>	
Seal	.....	<b>22306</b>
(Speedi-Sleeve)	.....	99225
<b>Rear Output Shaft</b>		
<b>1995-1992</b>	<b>Borg Warner 4401:</b>	
Seal	.....	<b>18994</b>
Bearing	.....	<b>6207-J</b>
<b>1995-1992</b>	<b>Borg Warner 4470:</b>	
Seal	.....	<b>18994</b>
Bearing	.....	<b>6208-J</b>
<b>1991-1990</b>	<b>Borg Warner 4470 w/(F44) Chas.:</b>	
Seal	.....	<b>18994</b>
Seal (w/Boot)	.....	<b>18687</b>
<b>1991-1989</b>	<b>Borg Warner 1370:</b>	
Seal	.....	<b>18994</b>
Seal (w/Boot)	.....	<b>18687</b>

(Continued)

# Passenger cars, light & medium trucks

(Cont.) -- Chevrolet/GMC Truck 1 ton, 3500 (C series), 3500 (K series), 3500 (R series), 3500 (V series), C30/C35, D30/D35, K30/K35, P30/P35

MFG./YEAR	MODEL & LOCATION	PART NO.	MFG./YEAR	MODEL & LOCATION	PART NO.
<b>Transfer Case (Cont.)</b>			<b>Transfer Case (Cont.)</b>		
<b>Rear Output Shaft (Cont.)</b>			<b>Side Gear</b>		
<b>1991-1987 New Process 205:</b>			<b>1987-1981 New Process 208:</b>		
	Seal	21211		Bearing	[120] C1086-Q
	(Speedi-Sleeve)	99212	<b>1979-1973 New Process 203:</b>		
	Bearing	B3216		Bearing	[123] C1086-Q
<b>1990-1988 New Process 241C:</b>				Bearing (Pinion)	[132] Q8113
	Seal	18992	<b>Transmission-Automatic</b>		
	Seal & Bushing Kit	18998	<b>Front Pump</b>		
	Bearing	6207-J	<b>1995-1993 4L60E Trans.:</b>		
<b>1987-1981 New Process 208:</b>				Seal	17459
	Seal	18992		(Speedi-Sleeve)	99174
	Seal & Bushing Kit	18998	<b>1992-1991 4L60E Trans.:</b>		
	Bearing	6207-J		Seal	17458
<b>1986-1980 New Process 205 Exc. 131.5" W.B.:</b>				(Speedi-Sleeve)	99174
	Seal	21211	<b>1990-1966 All:</b>		
	(Speedi-Sleeve)	99212		Seal	18692
	Bearing (Front)	B3216		(Speedi-Sleeve)	99187
	Bearing (Rear)	6307-NRJ		(Speedi-Sleeve/Seal Kit)	480187
	Bearing (Pilot)	[15] QAR29523	<b>1959-1958 MT30 Trans.:</b>		
<b>1986-1980 New Process 205 w/131.5" W.B.:</b>				Seal	23703
	Seal	18992		(Speedi-Sleeve)	99237
	Bearing (Front)	B3216	<b>Rear</b>		
	Bearing (Rear)	6307-NRJ	<b>1995-1992 4L80E Trans. w/o 15,000 lb. G.V.W.:</b>		
	Bearing (Pilot)	[15] QAR29523		Seal	18860
<b>1979-1974 New Process 203 2nd Design:</b>			<b>1995-1992 4L80E Trans. w/15,000 lb. G.V.W.:</b>		
	Seal	21061		Seal	21236
	(Speedi-Sleeve)	99212		(Speedi-Sleeve)	99212
	Bearing (Front)	B3616	<b>1991 4L80E Trans.:</b>		
	Bearing (Rear)	6307-NRJ		Seal	18860
	Bearing (Gear)	[64] QBR23549	<b>1990-1987 Exc. P Series:</b>		
<b>1979-1973 New Process 205:</b>				Seal	15041
	Seal	21211		(Speedi-Sleeve)	99149
	(Speedi-Sleeve)	99212		(Speedi-Sleeve/Seal Kit)	480150
	Bearing (Front)	B3216	<b>1990-1987 P Series w/o 12,000 lb. Thru 14,000 lb. G.V.W.:</b>		
	Bearing (Rear)	6307-NRJ		Seal	18992
	Bearing (Gear)	[64] QBR23549	<b>1990-1987 P Series w/12,000 lb. Thru 14,000 lb. G.V.W.:</b>		
<b>1974-1973 New Process 203 1st Design:</b>				Seal	21111
	Seal	21352		(Speedi-Sleeve)	99212
	(Speedi-Sleeve)	99212	<b>1986-1980 P Series w/4 Whl. Disc Brks.:</b>		
	Bearing (Front)	B3216		Seal	21111
	Bearing (Rear)	6307-NRJ		(Speedi-Sleeve)	99212
	Bearing (Gear)	[64] QBR23549		Bearing	6009-J
<b>1974-1971 Spicer 20:</b>			<b>1986-1979 Exc. P Series w/4 Whl. Disc Brks.:</b>		
	Seal	16245		Seal	18992
	(Speedi-Sleeve)	99162	<b>1978-1973 THM475 Trans.:</b>		
	Bearing (Front)	BR25877/BR25821		Seal	21111
	Bearing (Rear)	BR15126/BR15245		(Speedi-Sleeve)	99212
<b>1959-1957 All:</b>			<b>1978-1967 THM400 Trans. w/o 396 &amp; 400 Eng.:</b>		
	Bearing (Rear)	BR25878/BR25520		Seal	16871
				(Speedi-Sleeve)	99168
<b>Shift Shaft</b>			<b>1972-1968 THM400 Trans. w/396 &amp; 402 Eng.:</b>		
<b>1990-1973 New Process 205:</b>				Seal	18992
	Seal	7443	<b>1965-1951 AT210 &amp; AT330 Trans.:</b>		
	(Speedi-Sleeve)	99076		Seal	16871
<b>1974-1971 Spicer 20:</b>				(Speedi-Sleeve)	99168
	Seal	8620		Bearing	6007-J
	(Speedi-Sleeve)	99087	<b>1959-1957 All:</b>		
	Seal	7440		Seal	7440
	(Speedi-Sleeve)	99076		(Speedi-Sleeve)	99076

(Continued)

## Passenger cars, light & medium trucks

### Chevrolet/GMC Truck 1 ton, 3500 (C series), 3500 (K series), 3500 (R series), 3500 (V series), C30/C35, D30/D35, K30/K35, P30/P35 -- (Cont.)

MFG./YEAR	MODEL & LOCATION	PART NO.	MFG./YEAR	MODEL & LOCATION	PART NO.
<b>Transmission-Automatic (Cont.)</b>			<b>Transmission (Cont.)</b>		
<b>Rear (Cont.)</b>			<b>Kit (Cont.)</b>		
1959-1958	MT30 Trans.:		1972-1967	4WD, NP435 Trans Mfr Code, 4 Speed; With Ball I/S Brg.:	
	Seal .....	25661		Light Duty Kit .....	STK127-G
	(Speedi-Sleeve) .....	99256	<b>Transmission-Manual</b>		
	Bearing .....	6011-J	<b>Countershaft</b>		
<b>Shift Shaft</b>			1995	5 Spd. (MW3) Trans.:	
1995-1966	Exc. P Series w/Parking Brk.:			Bearing (Rear) .....	BR35
	Seal .....	4912		(Set Components) .....	LM501349/LM501310
	(Speedi-Sleeve) .....	99050	1995-1992	5 Spd. (MT8) Trans.:	
	(Speedi-Sleeve/Seal Kit) .....	480050		Bearing (Rear) .....	BR35
1972-1966	P Series w/Parking Brk.:			(Set Components) .....	LM501349/LM501310
	Seal .....	4911	1991	2 W/D w/5 Spd. (MT8) Trans. w/o 15,000 lb. G.V.W. & 183.5" W.B.:	
	(Speedi-Sleeve) .....	99050		Bearing (Front) .....	BR50
<b>Speedometer Drive</b>				(Set Components) .....	LM102949/LM102910
1987-1970	All:			Bearing (Rear) .....	BR35
	Seal .....	4010		(Set Components) .....	LM501349/LM501310
<b>Transmission</b>			1991	2 W/D w/5 Spd. (MT8) Trans., 15,000 lb. G.V.W. & 183.5" W.B.:	
<b>Kit</b>				Bearing (Rear) .....	BR35
1995	4WD, NV4500/MW3 Trans Mfr Code, 5 Speed:			(Set Components) .....	LM501349/LM501310
	Light Duty Kit .....	STK4500-GM	1991	4 W/D w/5 Spd. (MT8) Trans.:	
1994-1992	4WD, MT8 Trans Mfr Code, 5 Speed:			Bearing (Front) .....	BR50
	Light Duty Kit .....	STK4500-GM		(Set Components) .....	LM102949/LM102910
1990-1982	4WD, SM465/M20 Trans Mfr Code, 4 Speed;			Bearing (Rear) .....	BR35
	10 Bolt Side Cover, Case 10-5/8 " Long			(Set Components) .....	LM501349/LM501310
	Overall:		1991-1978	4 Spd. Muncie (M20) Trans.:	
	Light Duty Kit .....	STK157		Bearing (Front) .....	R1563-TAV
1988	RWD, CH465/MC9 Trans Mfr Code, 4 Speed;			Bearing (Rear) .....	6308-2RSNR
	10 Bolt Side Cover, Case 10-5/8 " Long		1986-1947	3 Spd. Muncie & Saginaw Trans.:	
	Overall:			Bearing .....	[54] C407-Q
	Light Duty Kit .....	STK157	1977-1973	4 Spd. Muncie (M20) Trans.:	
1981-1978	RWD, CH465/MC9 Trans Mfr Code, 4 Speed;			Bearing (Front) .....	M1305GGTV1
	10 Bolt Side Cover, Case 10-5/8 " Long			Bearing (Rear) .....	6308-NRJ
	Overall:		1972-1968	4 Spd. Muncie (M20) Trans.:	
	Light Duty Kit .....	STK157		Bearing (Front) .....	M1305GGTV1
1977	4WD, SM465/M20 Trans Mfr Code, 4 Speed;			Bearing (Rear) .....	308-ZNRJ
	10 Bolt Side Cover, Case 10-5/8 " Long		1972-1966	4 Spd. SM465 Trans.:	
	Overall:			Bearing (Front) .....	M1305GGTV1
	Light Duty Kit .....	STK157		Bearing (Rear) .....	308-NRJ
1974-1968	RWD, CH465/MC9 Trans Mfr Code, 4 Speed;			Bearing (Thrust) .....	NTA2031
	10 Bolt Side Cover, Case 10-5/8 " Long		1972-1964	4 Spd. New Process 435 Trans.:	
	Overall:			Bearing (Front) .....	M24161-X1
	Light Duty Kit .....	STK157		Bearing (Rear) .....	B3216
1974-1968	4WD, SM465/M21 Trans Mfr Code, 4 Speed;			Bearing (Thrust) .....	NTA2031
	10 Bolt Side Cover, Case 10-5/8 " Long		1972-1962	4 Spd. SM420 Trans.:	
	Overall:			Bearing (Rear) .....	308-ZNRJ
	Light Duty Kit .....	STK157	1972-1947	3 Spd. SM318 Trans.:	
1974-1968	4WD, SM465/M20 Trans Mfr Code, 4 Speed;			Bearing .....	[50] C407-Q
	10 Bolt Side Cover, Case 10-5/8 " Long		1972-1947	3 Spd. SM326 Trans.:	
	Overall:			Bearing .....	[54] C407-Q
	Light Duty Kit .....	STK157	1972-1947	3 Spd. SM330 Trans.:	
1972-1967	4WD, NP435 Trans Mfr Code, 4 Speed; With Taper I/S Brg.:			Bearing .....	[116] C407-Q
	Light Duty Kit .....	STK127	1967-1960	4 Spd. Muncie (M20) Trans.:	
1972-1967	RWD, NP435 Trans Mfr Code, 4 Speed; With Taper I/S Brg.:			Bearing (Rear) .....	308-ZNRJ
	Light Duty Kit .....	STK127	1966-1956	5 Spd. New Process 540 Trans.:	
1972-1967	RWD, NP435 Trans Mfr Code, 4 Speed; With Ball I/S Brg.:			Bearing (Front) .....	207-NRJ
	Light Duty Kit .....	STK127-G		Bearing (Rear) .....	B2816
					(Continued)

# Passenger cars, light & medium trucks

(Cont.) -- Chevrolet/GMC Truck 1 ton, 3500 (C series), 3500 (K series), 3500 (R series), 3500 (V series), C30/C35, D30/D35, K30/K35, P30/P35

MFG./YEAR	MODEL & LOCATION	PART NO.	MFG./YEAR	MODEL & LOCATION	PART NO.
<b>Transmission-Manual (Cont.)</b>			<b>Transmission-Manual (Cont.)</b>		
<b>Countershaft (Cont.)</b>			<b>Front (Cont.)</b>		
1965-1960	4 Spd. Clark 261F Trans.:		1972-1961	3 Spd. SM318 Trans.:	
	Bearing (Front) .....	M28161		Seal .....	12363
	Bearing (Rear) .....	308-ZNRJ		(Speedi-Sleeve) .....	99125
1961-1948	4 Spd. SM420 Trans.:			Bearing .....	6207-ZNRJ
	Bearing (Front) .....	M1206-UV	1972-1961	3 Spd. SM326 Trans.:	
	Bearing (Rear) .....	308-ZNRJ		Seal .....	12363
1954-1939	4 Spd. GMC Trans. w/o Synchronized Trans.:			(Speedi-Sleeve) .....	99125
	Bearing (Front) .....	M1206-UV		Bearing .....	6207-ZNRJ
	Bearing (Rear) .....	M1207-TV	1972-1961	3 Spd. Warner T16D Trans.:	
1954-1939	5 Spd. Clark 202V Trans.:			Seal .....	12363
	Bearing (Front) .....	M1207-TV		(Speedi-Sleeve) .....	99125
	Bearing (Rear) .....	307-NRJ		Bearing .....	6307-NRJ
1954-1939	5 Spd. Clark 204VO, 205V, 205VO, 207V & 207VO Trans.:		1972-1958	4 Spd. SM420 Trans.:	
	Bearing (Front) .....	M1207-TV		Seal (1.250" Shaft) .....	12363
	Bearing (Rear) .....	308-ZNRJ		(Speedi-Sleeve) (1.250" Shaft) .....	99125
1941-1939	4 Spd. Clark 185F Trans.:			Seal (1.625" Shaft) .....	16054
	Bearing (Front) .....	M1206-UV		(Speedi-Sleeve) (1.625" Shaft) .....	99162
				Bearing .....	209-NRJ
<b>Fourth Speed Gear</b>			1966-1961	3 Spd. SM330 Trans.:	
1954-1939	5 Spd. Clark 202V, 205V & 207V Trans.:			Seal .....	12363
	Bearing .....	[36] C436-Q		(Speedi-Sleeve) .....	99125
<b>Front</b>			1966-1956	5 Spd. New Process 540 Trans.:	
1995	5 Spd. (MW3) Trans.:			Seal .....	12363
	Seal .....	13557		(Speedi-Sleeve) .....	99125
	(Speedi-Sleeve) .....	99138		Bearing (1.772" Shaft) .....	209-ZNRJ
1994-1991	5 Spd. (MT8) Trans.:			Bearing (2.165" Shaft) .....	211-ZNRJ
	Seal .....	13557	1965-1960	4 Spd. Clark 261F Trans.:	
	(Speedi-Sleeve) .....	99138		Seal .....	15508
1991-1990	4 Spd. Muncie (M20) Trans. 2nd Design:			(Speedi-Sleeve) .....	99156
	Seal .....	16054		Bearing .....	211-ZNRJ
	(Speedi-Sleeve) .....	99162	1965-1960	4 Spd. New Process 435 Trans.:	
	Bearing .....	6211-2RSNX		Seal .....	15508
1990-1989	4 Spd. M.P.W. Borg Warner Trans.:			(Speedi-Sleeve) .....	99156
	Seal .....	12363		Bearing .....	308-NRJ
	(Speedi-Sleeve) .....	99125	1960-1954	3 Spd. Warner T16D Trans.:	
1990-1968	4 Spd. Muncie (M20) Trans. 1st Design:			Bearing .....	6307-NRJ
	Seal .....	16054	1960-1938	3 Spd. Saginaw Trans.:	
	(Speedi-Sleeve) .....	99162		Bearing .....	6207-ZNRJ
	Bearing .....	N211-NRJ	1960-1938	3 Spd. SM318 Trans.:	
1986-1961	3 Spd. Saginaw Trans.:			Bearing .....	6207-ZNRJ
	Seal .....	12363	1960-1938	3 Spd. SM326 Trans.:	
	(Speedi-Sleeve) .....	99125		Bearing .....	6207-ZNRJ
	Bearing .....	6207-ZNRJ	1959-1948	4 Spd. SM420 Trans.:	
1975-1969	3 Spd. Muncie Trans.:			Bearing .....	209-NRJ
	Seal .....	12363	1954-1939	5 Spd. Clark 202V, 204VO, 205V, 205VO, 207V & 207VO Trans.:	
	(Speedi-Sleeve) .....	99125		Bearing .....	308-ZNRJ
	Bearing .....	6307-NRJ	1950-1947	4 Spd. GMC Trans. w/o Synchronized Trans.:	
1972-1967	3 Spd. SM330 Trans.:			Bearing .....	6209-J
	Seal .....	12363	1941-1939	4 Spd. Clark 185F Trans.:	
	(Speedi-Sleeve) .....	99125		Bearing .....	308-ZNRJ
	Bearing .....	6307-NRJ	<b>Mainshaft Pilot</b>		
1972-1966	4 Spd. New Process 435 Trans.:		1991-1968	4 Spd. Muncie (M20) Trans.:	
	Seal .....	12363		Bearing .....	[17] QAR34604
	(Speedi-Sleeve) .....	99125	1972-1966	4 Spd. SM465 Trans.:	
	Bearing .....	HM88649/HM88610		Bearing .....	[17] QAR34604
1972-1966	4 Spd. SM465 Trans.:		1972-1964	4 Spd. New Process 435 Trans.:	
	Seal .....	16054		Bearing .....	[14] Q15902
	(Speedi-Sleeve) .....	99162		Bearing (Thrust) .....	FA35688
	Bearing .....	N211-NRJ			(Continued)

## Passenger cars, light & medium trucks

### Chevrolet/GMC Truck 1 ton, 3500 (C series), 3500 (K series), 3500 (R series), 3500 (V series), C30/C35, D30/D35, K30/K35, P30/P35 -- (Cont.)

MFG./YEAR	MODEL & LOCATION	PART NO.	MFG./YEAR	MODEL & LOCATION	PART NO.
<b>Transmission-Manual (Cont.)</b>			<b>Transmission-Manual (Cont.)</b>		
<b>Mainshaft Pilot (Cont.)</b>			<b>Rear (Cont.)</b>		
1972-1948	4 Spd. SM420 Trans.:		1978-1968	4 Spd. Muncie (M20) Trans.:	
	Bearing ..... [18]	W1518-Q		Seal .....	19970
1972-1938	3 Spd. SM318 Trans.:			(Speedi-Sleeve) .....	99199
	Bearing (Front) ..... [14]	C1110-Q		Bearing .....	6308-NRJ
1966-1956	5 Spd. New Process 540 Trans.:		1975-1969	3 Spd. Muncie Trans.:	
	Bearing ..... [14]	Q15902		Seal .....	15041
1965-1960	4 Spd. Clark 261F Trans.:			Seal Kit .....	15054
	Bearing .....	J36-1644		(Speedi-Sleeve) .....	99149
				(Speedi-Sleeve/Seal Kit) .....	480150
				Bearing .....	6307-NRJ
<b>Rear</b>			1972-1967	3 Spd. SM318 Trans.:	
1995	5 Spd. (MW3) Trans. w/15,000 lb. G.V.W.:			Seal .....	15041
	Seal .....	24982		Seal Kit .....	15054
	(Speedi-Sleeve) .....	99250		(Speedi-Sleeve) .....	99149
	Bearing .....	M804049/M804010		(Speedi-Sleeve/Seal Kit) .....	480150
1995	5 Spd. (MW3) Trans. w/o 15,000 lb. G.V.W.:		1972-1967	3 Spd. SM326 Trans.:	
	Seal .....	19982		Seal .....	15041
	(Speedi-Sleeve) .....	99199		Seal Kit .....	15054
	Bearing .....	M804049/M804010		(Speedi-Sleeve) .....	99149
1995-1991	P Series w/5 Spd. Trans. w/o 4 Whl. Disc Brks.:			(Speedi-Sleeve/Seal Kit) .....	480150
	Seal .....	18868	1972-1967	3 Spd. SM330 Trans.:	
	(Speedi-Sleeve) .....	99189		Seal .....	15041
1995-1991	P Series w/5 Spd. Trans. & 4 Whl. Disc Brks.:			Seal Kit .....	15054
	Seal .....	17673		(Speedi-Sleeve) .....	99149
	(Speedi-Sleeve) .....	99177		(Speedi-Sleeve/Seal Kit) .....	480150
1994-1991	C Series w/5 Spd. (MT8) Trans. w/o 183.5" W.B. & 15,000 lb. G.V.W.:			Bearing .....	6307-NRJ
	Seal .....	19982	1972-1967	4 Spd. SM465 Trans.:	
	(Speedi-Sleeve) .....	99199		Seal .....	19970
	Bearing .....	M804049/M804010		(Speedi-Sleeve) .....	99199
1994-1991	C Series w/5 Spd. (MT8) Trans. w/183.5" W.B. & 15,000 lb. G.V.W.:			Bearing .....	308-ZNRJ
	Seal .....	24982	1972-1966	4 Spd. New Process 435 Trans.:	
	(Speedi-Sleeve) .....	99250		Seal .....	21103
	Bearing .....	M804049/M804010		(Speedi-Sleeve) .....	99212
1990-1989	4 Spd. M.P.W. Borg Warner Trans.:			Bearing .....	308-ZNRJ
	Seal .....	14978	1972-1963	3 Spd. Warner T16D Trans.:	
	(Speedi-Sleeve) .....	99149		Seal .....	15041
1990-1982	4 Spd. Muncie (M20) Trans.:			Seal Kit .....	15054
	Seal .....	19982		(Speedi-Sleeve) .....	99149
	(Speedi-Sleeve) .....	99199		(Speedi-Sleeve/Seal Kit) .....	480150
	Bearing .....	6308-2RSNR		Bearing .....	6307-NRJ
1986-1954	3 Spd. Saginaw Trans.:		1972-1963	4 Spd. SM420 Trans. w/Parking Brk.:	
	Seal .....	15041		Seal .....	22340
	(Speedi-Sleeve) .....	99149		(Speedi-Sleeve) .....	99225
	(Speedi-Sleeve/Seal Kit) .....	480150		Bearing .....	208-NRJ
	Seal Kit .....	15054	1972-1948	4 Spd. SM420 Trans. w/o Parking Brk.:	
1981-1979	4 Spd. Muncie (M20) Trans.:			Seal .....	22340
	Seal .....	15041		(Speedi-Sleeve) .....	99225
	(Speedi-Sleeve) .....	99149		Bearing .....	6307-NRJ
	(Speedi-Sleeve/Seal Kit) .....	480150	1966-1956	5 Spd. New Process 540 Trans.:	
	Seal Kit .....	15054		Seal .....	21103
	Bearing .....	6308-NRJ		(Speedi-Sleeve) .....	99212
1978-1976	3 Spd. Muncie Trans.:			Bearing .....	308-NRJ
	Seal .....	15041	1966-1955	3 Spd. H.D. Trans.:	
	Seal Kit .....	15054		Seal .....	22340
	(Speedi-Sleeve) .....	99149		(Speedi-Sleeve) .....	99225
	(Speedi-Sleeve/Seal Kit) .....	480150		Bearing .....	208-NRJ
	Bearing .....	208-NRJ	1965-1960	4 Spd. Clark 261F Trans.:	
				Seal .....	21098
				(Speedi-Sleeve) .....	99212
				Bearing .....	6309-NRJ
					(Continued)

# Passenger cars, light & medium trucks

(Cont.) -- Chevrolet/GMC Truck 1 ton, 3500 (C series), 3500 (K series), 3500 (R series), 3500 (V series), C30/C35, D30/D35, K30/K35, P30/P35

MFG./YEAR	MODEL & LOCATION	PART NO.	MFG./YEAR	MODEL & LOCATION	PART NO.
<b>Transmission-Manual (Cont.)</b>			<b>Alternator (Cont.)</b>		
<b>Rear (Cont.)</b>			1971-1962 w/o 62 Amp.:		
1954-1939	5 Spd. Clark 202V, 204V0, 205V, 205V0, 207V & 207V0 Trans.:		Bearing (Front)		6203-RSJ
	Seal	21098	Bearing (Rear)		MNJ471-S
	(Speedi-Sleeve)	99212	1970-1966 62 Amp.:		
	Bearing	6308-NRJ	Bearing (Front)		6305-J
1950-1947	4 Spd. GMC Trans. w/o Synchronized Trans.:		Bearing (Rear)		MNJ471-S
	Bearing	6307-J	<b>Drive Shaft</b>		
1941-1939	4 Spd. Clark 185F Trans.:		1995-1992 C Series w/2 Piece Drive Sh.:		
	Seal	17653	Bearing & Support		HB88532
	(Speedi-Sleeve)	99174	1995-1979 Spicer 1280, 1310, 1330 & 1410 U-joint Series w/35mm End Yoke:		
	Bearing	6307-NRJ	Bearing Only		BR88107
<b>Reverse Idler</b>			Bearing & Support		HB88107-A
1977-1973	3 Spd. Muncie & Saginaw Trans.:		1995-1973 Spicer 1330, 1350, 1410 & 1480 U-joint Series w/40mm End Yoke:		
	Bearing	C407-Q	Bearing & Support		HB88508-A
1972-1964	4 Spd. New Process 435 Trans.:		1991 P Series w/2 Piece Drive Sh.:		
	Bearing	[68] C407-Q	Bearing & Support (Front)		HB88532
1965-1960	4 Spd. Clark 261F Trans.:		1990-1987 R & V Series w/2 Piece Drive Sh.:		
	Bearing	[2] J36-1644	Bearing & Support		HB88532
1954-1939	5 Spd. Clark 202V, 204V0, 205V, 205V0, 207V & 207V0 Trans.:		1990-1985 Spicer 1280, 1310, 1330 & 1410 w/35mm End Yoke:		
	Bearing	[2] J36-1644	Bearing & Support		HB88107-D
<b>Shift Shaft</b>			1978-1947 2 W/D w/Leaf Springs:		
1984-1970	3 Spd. Muncie & Saginaw Trans.:		Bearing Only		BR88107
	Seal	7410	Bearing & Support		HB88107-A
	(Speedi-Sleeve)	99076	1972-1971 2 W/D Exc. Leaf Springs:		
	(Speedi-Sleeve/Seal Kit)	480074	Bearing Only		6206-2RSJ
<b>Speedometer Drive</b>			Bearing & Support		HB206-FF
1987-1970	All:		1940-1938 All:		
	Seal	4010	Bearing		■ 6207-NRJ
<b>Air Conditioning Clutch</b>			<b>Engine</b>		
1995-1962	All:		<b>Camshaft</b>		
	Bearing	5908-VAW	1972-1967 3-53 Diesel Eng.:		
<b>Air Conditioning Compressor</b>			Seal		15915
1991-1975	All:		<b>Crankshaft-Rear</b>		
	Bearing	B128	1995-1992 379 (6.2L) & 396 (6.5L) Diesel Eng.:		
<b>Alternator</b>			Seal		45210
1993-1991	120 Amp. Exc. P Series:		(Speedi-Sleeve)		99452
	Bearing (Rear)	6000-2RSJ	1995-1991 454 (7.4L) Gas Eng.:		
1993-1991	P Series w/7.4L Eng. & 124 Amp.:		Seal		43303
	Bearing (Rear)	6000-2RSJ	(Speedi-Sleeve)		99435
1993-1988	M.H.C. w/124 Amp. & 6.2L Eng.:		1995-1986 262 (4.3L), 305 (5.0L) & 350 (5.7L) Eng.:		
	Bearing (Front)	6203-2RSJ	Seal (Viton)		37026
	Bearing (Rear)	6000-2RSJ	(Speedi-Sleeve) (Viton)		99369
1991-1985	w/o 120 Amp.:		Seal		37027
	Bearing (Front)	6203-2RSJ	(Speedi-Sleeve)		99364
	Bearing (Rear)	MNJ471-S	1991-1985 379 (6.2L) Eng.:		
1984-1983	w/o 80 Amp.:		Seal Kit		287
	Bearing (Front)	6203-2RSJ	1989-1986 292 (4.8L) Eng.:		
	Bearing (Rear)	MNJ471-S	Seal Kit		199
1984-1983	80 Amp.:		1986-1985 292 (4.8L) Eng.:		
	Bearing (Front)	6203-ZJ	Seal Kit		199
	Bearing (Rear)	MNJ471-S	1985-1969 305 (5.0L), 307 (5.0L) & 350 (5.7L) Eng.:		
1982-1972	w/o 70 & 85 Amp.:		Seal Kit		199
	Bearing (Front)	6203-ZJ	1985-1968 250 (4.1L), 262 (4.3L) & 292 (4.8L) Eng.:		
	Bearing (Rear)	MNJ471-S	Seal Kit		199
1981	70 & 85 Amp.:		1984-1982 379 (6.2L) Eng.:		
	Bearing (Front)	6203-ZJ	Seal Kit		191
	Bearing (Rear)	BA608			(Continued)

**Chevrolet/GMC Truck 1 ton, 3500 (C series), 3500 (K series), 3500 (R series), 3500 (V series), C30/C35, D30/D35, K30/K35, P30/P35 -- (Cont.)**

MFG./YEAR	MODEL & LOCATION	PART NO.	MFG./YEAR	MODEL & LOCATION	PART NO.
<b>Engine (Cont.)</b>			<b>Generator</b>		
<b>Crankshaft-Rear (Cont.)</b>			1966-1951 12 Volt 40, 50 & 55 Amp.:		
1984-1973	454 (7.4L) Eng.:		Bearing (Front)		BR8605
	Seal Kit	216	1966-1947 12 Volt Exc. 40, 50 & 55 Amp.:		
1980-1977	400 (6.6L) Eng.:		Bearing (Front)	6203-RSJ	
	Seal Kit	199	Bearing (Rear)	6203-RSJ	
1972-1968	396, 400 & 402 Engs.:		1955-1951 6 Volt 40 Amp.:		
	Seal Kit	216	Bearing (Front)	BR8605	
1972-1966	3-53 Diesel Eng.:		Bearing (Rear)	BR8503	
	Seal (Std.)	39935	1946-1939 6 Volt 25 Amp.:		
	(Speedi-Sleeve) (Std.)	99399	Bearing (Front)	6204-J	
	Seal (Oversize)	41126	Bearing (Rear)	6203-J	
	(Speedi-Sleeve) (Oversize)	99412	1946-1939 6 Volt 30 Amp.:		
1968-1959	283 & 327 Engs.:		Bearing (Front)	6305-J	
	Seal Kit	199	Bearing (Rear)	6203-J	
<b>Accessory Drive Belt Idler</b>			1946-1939 12 Volt 25 Amp.:		
1993-1988	454 (7.4L) Eng.:		Bearing (Front)	6205-J	
	Bearing (Pulley)	VKM900007	Bearing (Rear)	6303-J	
<b>Fuel Injector Pump</b>			1946-1939 6 Volt 40 Amp.:		
1987-1986	381 (6.2L) Diesel Eng.:		Bearing (Front)	6205-J	
	Bearing	B168	Bearing (Rear)	6303-J	
<b>Timing Belt Idler</b>			<b>Power Takeoff</b>		
1995	4.3L, 5.0L, 5.7L & 7.4L Engs.:		<b>Input Shaft</b>		
	Bearing & Housing Assy.	VKM900052	1957-1956 All:		
<b>Timing Cover</b>			Bearing (Front)		
1995-1993	396 (6.5L) & 454 (7.4L) Engs.:		Bearing (Rear)		
	Seal	23300	1950-1939 2104 Pwr. Takeoff:		
	(Speedi-Sleeve)	99233	Bearing		
	(Speedi-Sleeve/Seal Kit)	480233	[2] 6306-J		
1995-1987	381 (6.2L) & 396 (6.5L) Diesel Engs.:		<b>Output Shaft</b>		
	Seal	23300	1957-1956 All:		
	(Speedi-Sleeve)	99233	Seal		
	(Speedi-Sleeve/Seal Kit)	480233	(Speedi-Sleeve)		
1995-1973	w/o 381 (6.2L), 396 (6.5L) Diesel Engs. & 454 (7.4L) Gas Eng.:		(Speedi-Sleeve/Seal Kit)		
	Seal	17286	Bearing		
	(Speedi-Sleeve)	99176	[2] 6009-J		
	(Speedi-Sleeve/Seal Kit)	480177	1950-1939 2 Spd. Pwr. Takeoff:		
1992-1973	454 (7.4L) Eng.:		Seal		
	Seal	23300	12530		
	(Speedi-Sleeve)	99233	(Speedi-Sleeve)		
	(Speedi-Sleeve/Seal Kit)	480233	99125		
1972-1966	396, 400 & 402 Engs.:		Bearing (Front)		
	Seal	23300	6207-J		
	(Speedi-Sleeve)	99233	Bearing (Rear)		
	(Speedi-Sleeve/Seal Kit)	480233	5207-E		
1972-1966	3-53 Diesel Eng.:		<b>Shift Shaft</b>		
	Seal (Std.)	18555	1950-1939 2104 Pwr. Takeoff:		
	(Speedi-Sleeve) (Std.)	99187	Seal		
	Seal (Oversize)	19745	6816		
	(Speedi-Sleeve) (Oversize)	99199	<b>Steering-Power</b>		
1969-1960	V6 Eng.:		<b>Pitman Shaft</b>		
	Seal	23685	1995-1992 P Series w/708 Strg. Gear:		
	(Speedi-Sleeve)	99237	Seal (Inner)		
1969-1938	w/o 3-53 Diesel, V6, 288, 316, 347, 366, 396, 400 & 402 Engs.:		Seal (Outer)		
	Seal	17286	Seal Kit		
	(Speedi-Sleeve)	99176	12371		
	(Speedi-Sleeve/Seal Kit)	480177	12355		
			12392		
			1991-1988 Exc. C & K Series:		
			Seal (Inner)		
			Seal (Outer)		
			Seal Kit		
			12371		
			12355		
			12392		
			1987-1966 All:		
			Seal (Inner)		
			Seal (Outer)		
			Seal Kit		
			12371		
			12355		
			12392		
			1965-1956 All:		
			Seal (Inner)		
			Seal (Outer)		
			Seal Kit		
			12371		
			12355		
			12392		

(Continued)



## Passenger cars, light & medium trucks

(Cont.) -- Chevrolet/GMC Truck 1 ton, 3500 (C series), 3500 (K series), 3500 (R series), 3500 (V series), C30/C35, D30/D35, K30/K35, P30/P35

MFG./YEAR	MODEL & LOCATION	PART NO.	MFG./YEAR	MODEL & LOCATION	PART NO.
<b>Steering-Power (Cont.)</b>			<b>Steering-Power (Cont.)</b>		
<b>Pump Shaft</b>			<b>Worm Shaft (Cont.)</b>		
1995-1967	All:		1959-1956	All:	
	Seal	7475		Seal	8648
1966-1963	6 Cyl. Eng.:			Bearing	B148
	Seal	6765	<b>Steering-Standard</b>		
1966-1958	8 Cyl. Eng.:		<b>Pitman Shaft</b>		
	Seal	7475	1987-1938	w/o 549D, 553D & 553DV Gears:	
1959-1956	6 Cyl. Eng.:			Seal	11055
	Seal	5046	1941-1939	All:	
1957-1955	8 Cyl. Eng.:			Seal	12336
	Seal	9663	<b>Worm Shaft</b>		
	Bearing	6201-J	1987-1968	All:	
1954-1951	All:			Seal	7481
	Seal	9664	1967	Exc. P Series:	
	Bearing (Inner)	6201-J		Seal	7481
	Bearing (Pulley)	[2] BR88016	1967	P Series:	
<b>Worm Shaft</b>				Seal	8637
1993-1973	P Series:		1966-1960	All:	
	Seal	8660		Seal	8637
	Bearing	B148			
1991-1973	Exc. P Series:				
	Seal	7905			
	Bearing	B148			
1972-1960	All:				
	Seal	8660			
	Bearing	B148			

**Chevrolet/GMC Truck Tiltmaster/Transmode, Topkick/Kodiak, 1 1/2 ton, 2 ton, 2 1/2 ton, W series, 40 series/4500 series, 50 series/5500 series, 60 series/6500 series, 70 series/7500 series**

### Wheel Front

1995-1986	W4:	
	Seal	28325
	Bearing (Inner)	BR32210
	Bearing (Outer)	BR32207
1995-1992	12,000 lb. Axle:	
	Scotseal Plus XL	29480
	Bearing (Outer)	BR32208
1995-1990	11,000 lb. Axle:	
	Scotseal Plus XL	29480
	Bearing (Outer)	BR33208
1993	9000 lb. Axle:	
	Scotseal Plus XL	29480
	Bearing (Inner)	33212-X
	Bearing (Outer)	BR33208
1993	16,000 lb. Axle w/Air Brks. w/o 20" Whls.:	
	Scotseal	43764
	Scotseal Plus XL	43761
	Bearing (Inner)	6461-A/BR6420
	Bearing (Outer)	SET424
	(Set Components)	555-S/552-A
1993	16,000 lb. Axle w/Air Brks. & 20" Whls.:	
	Scotseal	43764
	Scotseal Plus XL	43761
	Bearing (Inner)	6461-A/BR6420
	Bearing (Outer)	557-S/552-A

### Wheel Front (Cont.)

1993-1991	12,000 lb. Axle w/Air Brks. (2nd Design);	
	14,500 lb. Axle:	
	Bearing (Inner)	JF7049A/7010
	Bearing (Outer)	JM205149AS/110
	(Set Components)	JM205149AS/JM205110
1993-1990	8000 lb. Axle:	
	Scotseal Plus XL	23590
	Bearing (Inner)	JM205149AS/110
	(Set Components)	JM205149AS/JM205110
	Bearing (Outer)	BR32207
1993-1990	11,000 lb. Axle; 12,000 lb. Axle w/Hyd. Brks.:	
	Scotseal Plus XL	29480
	Bearing (Inner)	33212-X
	Bearing (Outer)	BR33208
1991	12,000 lb. Axle w/Air Brks. (1st Design):	
	Scotseal Plus XL	29480
	Bearing (Inner)	33212-X
	Bearing (Outer)	BR33208
1990	14,000 lb. Axle w/Air Brks.:	
	Bearing (Inner)	JF7049A/7010
	Bearing (Outer)	JM205149AS/110
	(Set Components)	JM205149AS/JM205110

(Continued)

**Chevrolet/GMC Truck Tiltmaster/Transmode, Topkick/Kodiak, 1 1/2 ton, 2 ton, 2 1/2 ton, W series, 40 series/4500 series, 50 series/5500 series, 60 series/6500 series, 70 series/7500 series -- (Cont.)**

MFG./YEAR	MODEL & LOCATION	PART NO.	MFG./YEAR	MODEL & LOCATION	PART NO.
<b>Wheel Front (Cont.)</b>			<b>Wheel Front (Cont.)</b>		
1990-1985	F120 & F120D Axles:		1966-1960	F150 Axle:	
	Scotseal .....	36358		Seal .....	40036
	Bearing (Inner) .....	SET412		Scotseal .....	40040
	(Set Components) .....	HM212047/HM212011		Bearing (Inner) .....	6386-A/BR6320
	Bearing (Outer) .....	BR45282/BR45220		Bearing (Outer) .....	BR537/532-A
1990-1963	F050 & F055 Axles:		1966-1960	IFS90 Axle:	
	Seal .....	25028		Seal .....	32510
	(V-Ring) .....	400659		Scotseal .....	32470
	Bearing (Inner) .....	3578-A/BR3525		Bearing (Inner) .....	BR39581/BR39520
	Bearing (Outer) .....	15103-S/BR15243		Bearing (Outer) .....	BR26878/BR26820
1990-1960	F070, F070D & IFS70 Axles:		1965	F050 & F055 Axles w/o 5 Spoke Whls.:	
	Seal .....	31203		Seal .....	25028
	Scotseal .....	31175		Bearing (Inner) .....	3578-A/BR3525
	Bearing (Inner) .....	SET410		Bearing (Outer) .....	15103-S/BR15243
	(Set Components) .....	BR45284/BR45220	1965	F050 & F055 Axles w/5 Spoke Whls.:	
	Bearing (Outer) .....	BR2796/BR2720		Seal .....	31203
1988-1973	F090 Axle:			Scotseal .....	31175
	Scotseal .....	32470		Bearing (Inner) .....	3578-A/BR3525
	Bearing (Inner) .....	BR39581/BR39520		Bearing (Outer) .....	15103-S/BR15243
	Bearing (Outer) .....	BR26878/BR26820	1965-1963	F040 Axle 1st Design:	
1987	W6:			Seal .....	21771
	Seal .....	29520		Bearing (Inner) .....	BR2777/BR2720
	Bearing (Inner) .....	BR47		Bearing (Outer) .....	BR3
	Bearing (Outer) .....	BR44		(Set Components) .....	M12649/M12610
1987-1986	W7H & W7T:		1965-1960	F110 Axle:	
	Seal .....	47210		Seal .....	36282
1987-1984	W7 & W7M:			Scotseal .....	36285
	Seal .....	33460		Bearing (Inner) .....	SET412
1986-1983	Coleman SD9 & SD12 Axles:			(Set Components) .....	HM212047/HM212011
	Bearing .....	[2] BR36690/BR36620		Bearing (Outer) .....	BR3779/BR3720
1984-1973	F120 & F120D Axles:		1965-1954	IFS050 & IFS055 Axles:	
	Scotseal .....	36285		Seal .....	24920
	Bearing (Inner) .....	SET412		Bearing (Inner) .....	BR25582/BR25519
	(Set Components) .....	HM212047/HM212011		Bearing (Outer) .....	15103-S/BR15243
	Bearing (Outer) .....	BR45282/BR45220	1962-1960	40 & 45 Series w/Lt. Duty Axles:	
1978-1973	Transmode:			Seal .....	20965
	Seal (Inner) .....	25515		Bearing (Inner) .....	B48
	Seal (Outer) .....	24888		Bearing (Outer) .....	B47
	Bearing .....	BR23	1959-1956	27465 Axle:	
1972-1967	F110, F120 & F120D Axles:			Seal .....	40036
	Seal .....	36282		Scotseal .....	39380
	Scotseal .....	36285		Bearing (Inner) .....	BR6389/BR6320
	Bearing (Inner) .....	SET412		Bearing (Outer) .....	BR537/532-A
	(Set Components) .....	HM212047/HM212011	1959-1955	F070 Axle:	
	Bearing (Outer) .....	BR45282/BR45220		Seal .....	31158
1972-1960	F090 Axle:			Bearing (Outer) .....	BR2793/BR2720
	Bearing (Inner) .....	BR39581/BR39520	1959-1955	F090 Axle:	
	Bearing (Outer) .....	BR26878/BR26820		Scotseal .....	35066
1971-1969	F040 Axle:			Scotseal Plus XL .....	35058
	Seal .....	21771		Scotseal Longlife .....	35103
	Bearing (Inner) .....	BR2777/BR2720		Bearing (Inner) .....	BR39581/BR39520
	Bearing (Outer) .....	BR3		Bearing (Outer) .....	BR26878/BR26820
	(Set Components) .....	M12649/M12610	1959-1955	FE900 Axle:	
1968-1965	F040 Axle 2nd Design:			Scotseal .....	35075
	Bearing (Inner) .....	BR25582/BR25520		Bearing (Inner) .....	SET439
	Bearing (Outer) .....	BR3		(Set Components) .....	HM212049-X/HM212011
	(Set Components) .....	M12649/M12610		Bearing (Outer) .....	SET406
1966-1962	FD070 & FHD070 Axles:			(Set Components) .....	BR3782/BR3720
	Bearing .....	[2] BR36690/BR36620			(Continued)

## Passenger cars, light & medium trucks

(Cont.) -- Chevrolet/GMC Truck Tiltmaster/Transmode, Topkick/Kodiak, 1 1/2 ton, 2 ton, 2 1/2 ton, W series, 40 series/4500 series, 50 series/5500 series, 60 series/6500 series, 70 series/7500 series

MFG./YEAR	MODEL & LOCATION	PART NO.	MFG./YEAR	MODEL & LOCATION	PART NO.
<b>Wheel Front (Cont.)</b>			<b>Wheel Rear (Cont.)</b>		
1959-1938	4100, 4400 & 4500 Series w/Lt. Duty Axles:		1993-1990	Eaton 19050S, 19050T, 19055D, 19055S & 19055T Axles:	
	Seal (2.063" Shaft) .....	20669		Scotseal (5.506" O.D.) .....	38750
	Seal (2.094" Shaft) .....	20975		Scotseal (5.696" O.D.) .....	38780
	Bearing (Inner) .....	B44		Scotseal Plus XL (5.696" O.D.) .....	38776
	Bearing (Outer) .....	B45		Bearing (Inner) .....	SET411
1955	F045 & F047 Axles:			(Set Components) .....	BR47686/BR47620
	Seal .....	25577		Bearing (Outer) .....	SET408
	Bearing (Inner) .....	BR3578/BR3525		(Set Components) .....	BR39590/BR39520
1955-1954	6700 Series:		1993-1990	Eaton 21065D, 21065S, 21065T, 22065S, 22065T, 23070P & 23085C Axles:	
	Seal .....	19938		Scotseal (6.316" O.D.) .....	47697
	Bearing (Outer) .....	15103-S/BR15243		Scotseal (6.326" O.D.) .....	47691
1954-1953	GMC Axle:			Scotseal Plus XL .....	47692
	Bearing (Inner) .....	15103-S/BR15245		Scotseal Longlife .....	47693
1954-1952	FE900 Axle:			Bearing (Inner) .....	SET403
	Scotseal .....	35075		(Set Components) .....	594-A/592-A
	Bearing (Inner) .....	557-A/552-A		Bearing (Outer) .....	SET401
	Bearing (Outer) .....	SET406		(Set Components) .....	BR580/BR572
	(Set Components) .....	BR3782/BR3720	1993-1988	Eaton 15040S & 15040T Axles:	
1954-1950	485F & 486F Axles:			Scotseal .....	39380
	Seal .....	31158		Bearing (Inner) .....	BR33287/BR33462
	Bearing (Inner) .....	BR594/BR522		Bearing (Outer) .....	BR3982/BR3920
1954-1950	585F & 586F Axles:		1990-1984	Eaton DS381, DT381, 23070S, 23070T, 23105S, 26085P, 26085S & 26085T Axles; Rockwell R170, RS21145, R23160 & RS23180 Axles:	
	Seal .....	32540		Scotseal (6.006" O.D.) .....	47690
	Scotseal .....	32470		Scotseal (6.316" O.D.) .....	47697
	Bearing (Inner) .....	BR539/532-A		Scotseal Plus XL .....	47692
1954-1947	F460, F462, F464 & F466 Axles:			Scotseal Longlife .....	47693
	Seal (2.250" Shaft) .....	22583		Bearing (Inner) .....	SET403
	Seal (2.375" Shaft) .....	23779		(Set Components) .....	594-A/592-A
1950-1947	475F Axle:			Bearing (Outer) .....	SET401
	Bearing (Inner) .....	BR594/BR522		(Set Components) .....	BR580/BR572
<b>Axle Shaft</b>			<b>1990-1984 Eaton 22121, 22221, 23121 &amp; 23221 Axles:</b>		
1966-1962	FD070 Axle:			Scotseal (6.006" O.D.) .....	47690
	Seal .....	18549		Scotseal (6.316" O.D.) .....	47697
	Seal Kit .....	18550		Scotseal Plus XL .....	47692
<b>Steering Knuckle</b>				Scotseal Longlife .....	47693
1966-1962	FD070 & FHD070 Axles:			Bearing (Inner) .....	SET403
	Bearing .....	[2] BR43125/BR43312		(Set Components) .....	594-A/592-A
<b>Wheel Rear</b>				Bearing (Outer) .....	SET401
1993-1991	Eaton 23070S, 23070T, 23105S, 26085P & 26085T Axles w/6.316" O.D.; Rockwell RS23160 Axle w/6.316" O.D.:			(Set Components) .....	BR580/BR572
	Scotseal .....	47697	1990-1982	GMC H110 & H135 Axles:	
	Scotseal Plus XL .....	47692		Scotseal .....	31307
	Scotseal Longlife .....	47693		Bearing (Inner) .....	BR3984/BR3920
	Bearing (Inner) .....	SET403		Bearing (Outer) .....	SET407
	(Set Components) .....	594-A/592-A		(Set Components) .....	BR28682/BR28622
	Bearing (Outer) .....	SET401	1990-1982	GMC H150 & T150 Axles:	
	(Set Components) .....	BR580/BR572		Scotseal .....	39420
1993-1991	Eaton 23070S, 23070T, 23105S, 26085P & 26085T Axles w/6.326" O.D.:			Bearing (Inner) .....	BR33287/BR33462
	Scotseal Plus XL .....	47691		Bearing (Outer) .....	BR3982/BR3920
	Bearing (Inner) .....	SET403			(Continued)
	(Set Components) .....	594-A/592-A			
	Bearing (Outer) .....	SET401			
	(Set Components) .....	BR580/BR572			

**Chevrolet/GMC Truck Tiltmaster/Transmode, Topkick/Kodiak, 1 1/2 ton, 2 ton, 2 1/2 ton, W series, 40 series/4500 series, 50 series/5500 series, 60 series/6500 series, 70 series/7500 series -- (Cont.)**

MFG./YEAR	MODEL & LOCATION	PART NO.	MFG./YEAR	MODEL & LOCATION	PART NO.
<b>Wheel Rear (Cont.)</b>			<b>Wheel Rear (Cont.)</b>		
1990-1979	GMC H175 & T170 Axles; Rockwell L172 Axle; Spicer G175T Axle:		1988-1983	Eaton 17421 & Rockwell Std. RS16140 Axles:	
	Scotseal .....	39420		Scotseal .....	38750
	Bearing (Inner) .....	495-AX/BR493		Bearing (Inner) .....	SET411
	Bearing (Outer) .....	SET408		(Set Components) .....	BR47686/BR47620
	(Set Components) .....	BR39590/BR39520		Bearing (Outer) .....	SET408
1990-1976	Eaton 17101, 17121, 17201 & 17221 Axles			(Set Components) .....	BR39590/BR39520
	2nd Design:		1988-1976	Eaton DS341, DT341, 34DS, 34DT, 34D3 & 34RT Axles 2nd Design; GMC GM34000 Axle; Rockwell SLHD & SL100 Axles:	
	Scotseal (5.506" O.D.) .....	38750		Scotseal .....	38750
	Scotseal (5.696" O.D.) .....	38780		Bearing (Inner) .....	SET411
	Scotseal Plus XL (5.696" O.D.) .....	38776		(Set Components) .....	BR47686/BR47620
	Bearing (Inner) .....	SET411		Bearing (Outer) .....	SET408
	(Set Components) .....	BR47686/BR47620		(Set Components) .....	BR39590/BR39520
	Bearing (Outer) .....	SET408	1987	W6:	
	(Set Components) .....	BR39590/BR39520		Seal (Inner) .....	37408
1989-1988	Eaton 22065S & 22065T Axles:			Seal (Outer) .....	22284
	Scotseal (6.006" O.D.) .....	47690		Bearing (Inner) .....	BR32215
	Scotseal (6.316" O.D.) .....	47697		Bearing (Outer) .....	BR32213
	Scotseal Plus XL .....	47692	1987-1986	W4:	
	Scotseal Longlife .....	47693		Seal (Inner) .....	31490
	Bearing (Inner) .....	SET403		Seal (Outer) .....	19333
	(Set Components) .....	594-A/592-A		Bearing (Inner) .....	BR29586/BR29520
	Bearing (Outer) .....	SET401		Bearing (Outer) .....	BR28680/BR28622
	(Set Components) .....	BR580/BR572	1987-1986	W7H & W7T:	
1989-1983	Eaton 19050S & 19050T Axles:			Seal (Inner) .....	46060
	Scotseal (5.506" O.D.) .....	38750		Seal (Outer) .....	30771
	Scotseal (5.696" O.D.) .....	38780	1987-1984	W7 & W7M:	
	Scotseal Plus XL (5.696" O.D.) .....	38776		Bearing (Outer) .....	BR32215
	Bearing (Inner) .....	SET411	1987-1984	Spicer 70 Axle:	
	(Set Components) .....	BR47686/BR47620		Seal .....	28426
	Bearing (Outer) .....	SET408		(Speedi-Sleeve/Seal Kit) .....	28446
	(Set Components) .....	BR39590/BR39520		Bearing (Inner) .....	387-AS/382-A
1989-1983	Eaton 21065S & 21065T Axles; Rockwell SQ100 Axle; Spicer M220S & M220T Axles:			Bearing (Outer) .....	BR38
	Scotseal .....	47690		(Set Components) .....	LM104949/LM104911
	Bearing (Inner) .....	SET403	1987-1983	Rockwell Std. SQDD & SQHD Axles w/o Cast Whls.:	
	(Set Components) .....	594-A/592-A		Scotseal .....	47690
	Bearing (Outer) .....	SET401		Bearing (Inner) .....	SET404
	(Set Components) .....	BR580/BR572		(Set Components) .....	598-A/592-A
1988	Eaton 17401 Axle:			Bearing (Outer) .....	SET401
	Bearing (Inner) .....	SET411		(Set Components) .....	BR580/BR572
	(Set Components) .....	BR47686/BR47620	1987-1983	Rockwell Std. SQDD & SQHD Axles w/Cast Whls.:	
	Bearing (Outer) .....	SET408		Scotseal .....	47690
	(Set Components) .....	BR39590/BR39520		Bearing (Inner) .....	SET403
1988	Eaton 21421 Axle:			(Set Components) .....	594-A/592-A
	Scotseal .....	47697		Bearing (Outer) .....	SET401
	Scotseal Plus XL .....	47692		(Set Components) .....	BR580/BR572
	Scotseal Longlife .....	47693	1987-1979	Eaton 15040S, 15040T & 15101 Axles:	
1988-1983	Eaton 16121 Axle; Spicer G185S, G190S, M185T, M190S & M190T Axles:			Seal .....	41550
	Scotseal (3.875" Shaft) .....	38750		Scotseal (3.875" Shaft) .....	38750
	Scotseal (3.938" Shaft) .....	39420		Scotseal (3.938" Shaft) .....	39420
	Bearing (Inner) .....	SET411		Bearing (Inner) .....	BR33287/BR33462
	(Set Components) .....	BR47686/BR47620		Bearing (Outer) .....	BR3982/BR3920
	Bearing (Outer) .....	SET408	1983	GMC H172 Axle:	
	(Set Components) .....	BR39590/BR39520		Seal .....	39385

(Continued)

**Passenger cars, light & medium trucks**

**(Cont.) -- Chevrolet/GMC Truck Tiltmaster/Transmode, Topkick/Kodiak, 1 1/2 ton, 2 ton, 2 1/2 ton, W series, 40 series/4500 series, 50 series/5500 series, 60 series/6500 series, 70 series/7500 series**

MFG./YEAR	MODEL & LOCATION	PART NO.	MFG./YEAR	MODEL & LOCATION	PART NO.
<b>Wheel Rear (Cont.)</b>			<b>Wheel Rear (Cont.)</b>		
1983-1979	Eaton 22121, 22221, 23121 & 23221 Axles w/o Cast Whls.:		1981-1973	GMC H135 Axle:	
	Scotseal .....	47690		Seal .....	34700
	Bearing (Inner) .....	SET404		Bearing (Inner) .....	KD12051-Z
	(Set Components) .....	598-A/592-A		(Set Components) .....	395-CS/394-CS
	Bearing (Outer) .....	SET401		Bearing (Outer) .....	KB11786-Y
	(Set Components) .....	BR580/BR572		(Set Components) .....	BR387/BR382
1983-1972	Eaton 22121, 22221, 23121 & 23221 Axles w/Cast Whls.:		1981-1967	GMC H110 Axle:	
	Scotseal .....	47690		Seal .....	31870
	Bearing (Inner) .....	SET403		Bearing (Inner) .....	KD12051-Z
	(Set Components) .....	594-A/592-A		(Set Components) .....	395-CS/394-CS
	Bearing (Outer) .....	SET401		Bearing (Outer) .....	KB11786-Y
	(Set Components) .....	BR580/BR572		(Set Components) .....	BR387/BR382
1982-1979	Eaton 18100, 18121 & 18200 Axles w/o Cast Whls.:		1981-1966	GMC H150 & T150 Axles w/15" X 5" Brks.:	
	Scotseal .....	47690		Scotseal .....	39420
	Bearing (Inner) .....	SET404		Bearing (Inner) .....	BR33287/BR33472
	(Set Components) .....	598-A/592-A		Bearing (Outer) .....	BR3982/BR3925
	Bearing (Outer) .....	BR575/BR572	1981-1960	GMC T170 w/Air Brks., H170 & H172 Axles:	
1982-1979	Eaton 18100, 18121 & 18200 Axles w/Cast Whls.:			Seal .....	41550
	Scotseal .....	47690		Scotseal .....	42550
	Bearing (Inner) .....	SET403		Bearing (Inner) .....	495-AX/BR493
	(Set Components) .....	594-A/592-A		Bearing (Outer) .....	SET408
	Bearing (Outer) .....	BR575/BR572		(Set Components) .....	BR39590/BR39520
1982-1977	Rockwell Std. SQDD & SQHD Axles w/Cast Whls.:		1981-1960	GMC T170 Axle w/Hyd. Brks.:	
	Scotseal .....	48000		Seal .....	41550
	Scotseal Plus XL .....	48002		Scotseal .....	42550
	Bearing (Inner) .....	SET403		Bearing (Inner) .....	495-AX/BR493
	(Set Components) .....	594-A/592-A		Bearing (Outer) .....	BR39590/BR39521
	Bearing (Outer) .....	BR575/BR572	1981-1960	GMC H150 & T150 Axles w/15" X 4" Brks.:	
	(Set Components) .....	BR580/BR572		Seal Kit .....	162
1982-1973	GMC T185 Axle:			Seal Only .....	36314
	Scotseal .....	38750		Bearing (Inner) .....	B12235-YK
	Bearing (Inner) .....	SET411		Bearing (Outer) .....	KA11950-Z
	(Set Components) .....	BR47686/BR47620	1978-1976	Eaton 2nd Design 18100 & 18200 Axles w/o Cast Whls. & Whl. Locks:	
	Bearing (Outer) .....	SET408		Scotseal .....	47690
	(Set Components) .....	BR39590/BR39520		Bearing (Inner) .....	BR598/592-A
1982-1955	Rockwell Std. SQDD & SQHD Axles w/o Cast Whls.:			Bearing (Outer) .....	BR575/BR572
	Scotseal .....	48000	1978-1976	Eaton 2nd Design 18100 & 18200 Axles w/Whl. Locks w/o Cast Whls.:	
	Scotseal Plus XL .....	48002		Scotseal .....	47690
	Bearing (Inner) .....	SET404		Bearing (Inner) .....	BR594/592-A
	(Set Components) .....	598-A/592-A		Bearing (Outer) .....	BR575/BR572
	Bearing (Outer) .....	SET401	1978-1973	Eaton 19200, 19201 & 23221 Axles Exc. Cast Whls.:	
	(Set Components) .....	BR580/BR572		Scotseal .....	47690
1981-1980	Rockwell Std. F106 Axle:			Bearing (Inner) .....	BR594/592-A
	Scotseal .....	34387		Bearing (Outer) .....	SET401
	Scotseal Plus XL .....	34384		(Set Components) .....	BR580/BR572
	Bearing (Inner) .....	BR33287/BR33462	1978-1973	Eaton 19200, 19201 & 23221 Axles w/Cast Whls.:	
	Bearing (Outer) .....	BR3982/BR3920		Scotseal .....	45160
1981-1979	Eaton 16244 Axle:			Scotseal Plus XL .....	45157
	Seal .....	41550		Bearing (Inner) .....	SET403
	Scotseal .....	42550		(Set Components) .....	594-A/592-A
	Bearing (Inner) .....	495-AX/BR493		Bearing (Outer) .....	SET401
	Bearing (Outer) .....	SET408		(Set Components) .....	BR580/BR572
	(Set Components) .....	BR39590/BR39520			(Continued)

**Chevrolet/GMC Truck Tiltmaster/Transmode, Topkick/Kodiak, 1 1/2 ton, 2 ton, 2 1/2 ton, W series, 40 series/4500 series, 50 series/5500 series, 60 series/6500 series, 70 series/7500 series -- (Cont.)**

MFG./YEAR	MODEL & LOCATION	PART NO.	MFG./YEAR	MODEL & LOCATION	PART NO.
<b>Wheel Rear (Cont.)</b>			<b>Wheel Rear (Cont.)</b>		
1978-1973	Transmode:		1972-1960	GMC H130 & H135 Axles:	
	Seal	21771		Seal	34985
	Bearing (Inner)	BR35		Bearing (Inner)	KD12051-Z
	(Set Components)	LM501349/LM501310		(Set Components)	395-CS/394-CS
	Bearing (Outer)	15103-S/BR15243		Bearing (Outer)	KB11786-Y
				(Set Components)	BR387/BR382
1978-1973	GMC H130 Axle:		1972-1960	Rockwell Std. G161 & G361 Axles:	
	Seal	34985		Seal Kit	162
	Bearing (Inner)	KD12051-Z		Seal Only	36314
	(Set Components)	395-CS/394-CS		Bearing (Inner)	B12235-YK
	Bearing (Outer)	KB11786-Y		Bearing (Outer)	KA11950-Z
	(Set Components)	BR387/BR382			
1978-1967	Eaton 18100 & 18200 Axles w/Cast Whls.:		1972-1955	Eaton 1790, 1791, 1792, 1793, 17500, 17501, 17800, 17801, 2613 & 2614 Axles; Rockwell L161, L162, L351, L362 & L371 Axles:	
	Scotseal	45160		Seal Kit	1214
	Scotseal Plus XL	45157		(Superseded by:)	1224
	Bearing (Inner)	SET403		Seal (w/Sleeve)	40360
	(Set Components)	594-A/592-A		Scotseal	38750
	Bearing (Outer)	BR575/BR572		Bearing (Inner)	SET411
1976-1967	Eaton 1st Design 18100 & 18200 Axles w/o Cast Whls.:			(Set Components)	BR47686/BR47620
	Seal	43820		Bearing (Outer)	SET408
	Scotseal	43860		(Set Components)	BR39590/BR39520
	Bearing (Inner)	BR594/592-A	1972-1955	Rockwell Std. H140, H340, H350 & H370 Axles:	
	Bearing (Outer)	BR575/BR572		Scotseal (3.875" Shaft)	38750
1976-1967	Eaton 1st Design 17100, 17200 & 34DS Axles:			Scotseal (3.938" Shaft)	39420
	Seal	41550		Bearing (Inner)	495-AX/BR493
	Bearing (Inner)	SET411		Bearing (Outer)	SET408
	(Set Components)	BR47686/BR47620		(Set Components)	BR39590/BR39520
	Bearing (Outer)	SET408	1966-1960	Eaton DSP50 & SP50 Axles:	
	(Set Components)	BR39590/BR39520		Scotseal	38750
1975-1955	Eaton 32M, 34M & 34DTA Axles; GMC GM34000 Axle; Rockwell SLDD & SLHD Axles:			Bearing (Inner)	495-AX/BR493
	Seal Kit	1214		Bearing (Outer)	SET408
	(Superseded by:)	1224		(Set Components)	BR39590/BR39520
	Seal (w/Sleeve)	40360	1966-1960	Eaton 30DP & 30DS Axles:	
	Scotseal	38750		Seal Kit	1214
	Bearing (Inner)	SET411		(Superseded by:)	1224
	(Set Components)	BR47686/BR47620		Seal (w/Sleeve)	40360
	Bearing (Outer)	SET408		Scotseal	38750
	(Set Components)	BR39590/BR39520		Bearing (Inner)	495-AX/BR493
1972-1967	Eaton 19100 & 19200 Axles:			Bearing (Outer)	SET408
	Seal	43820		(Set Components)	BR39590/BR39520
	Scotseal	43860	1966-1955	Eaton 17100, 17101, 17121, 17200, 17201 & 17221 Axles:	
	Bearing (Inner)	BR594/592-A		Seal Kit	1214
	Bearing (Outer)	SET401		(Superseded by:)	1224
	(Set Components)	BR580/BR572		Seal (w/Sleeve)	40360
1972-1960	Eaton 1618, 1619, 16121, 16221, 16802 & 16803 Axles:			Scotseal	38750
	Scotseal (3.875" Shaft)	38750		Bearing (Inner)	SET411
	Scotseal (3.938" Shaft)	39420		(Set Components)	BR47686/BR47620
	Bearing (Inner)	495-AX/BR493		Bearing (Outer)	SET408
	Bearing (Outer)	SET408		(Set Components)	BR39590/BR39520
	(Set Components)	BR39590/BR39520			
1972-1960	Rockwell Std. H162 & H362 Axles:				
	Scotseal (3.875" Shaft)	38750			
	Scotseal (3.938" Shaft)	39420			
	Bearing (Inner)	495-AX/BR493			
	Bearing (Outer)	SET408			
	(Set Components)	BR39590/BR39520			

(Continued)

## Passenger cars, light & medium trucks

(Cont.) -- Chevrolet/GMC Truck Tiltmaster/Transmode, Topkick/Kodiak, 1 1/2 ton, 2 ton, 2 1/2 ton, W series, 40 series/4500 series, 50 series/5500 series, 60 series/6500 series, 70 series/7500 series

MFG./YEAR	MODEL & LOCATION	PART NO.	MFG./YEAR	MODEL & LOCATION	PART NO.
<b>Wheel Rear (Cont.)</b>			<b>Wheel Rear (Cont.)</b>		
1966-1952	Eaton 1911, 19501, 19502 & 19503 Axles:		1957	Rockwell Std. SFHD Axle:	
	Seal .....	46324		Seal Kit .....	✧1214
	Scotseal .....	45160		(Superseded by:)	1224
	Scotseal Plus XL .....	45157		Seal (w/Sleeve) .....	40360
	Bearing (Inner) .....	BR594/592-A		Scotseal .....	38750
	Bearing (Outer) .....	SET401		Bearing (Inner) .....	495-AX/BR493
	(Set Components) .....	BR580/BR572		Bearing (Outer) .....	SET408
1966-1950	Eaton 1880, 1890, 1891, 1895, 1896, 18500, 18501, 18600, 18601, 18700, 18701, 18802, 18803, 2695, 2696 & 8803 Axles:			(Set Components) .....	BR39590/BR39520
	Seal .....	43820	1956-1955	Eaton 16600 & 16601 Axles; Rockwell H100, H130 & H300 Axles:	
	Scotseal .....	43860		Seal Kit .....	✧1214
	Bearing (Inner) .....	BR598/592-A		(Superseded by:)	1224
	Bearing (Outer) .....	BR575/BR572		Seal (w/Sleeve) .....	40360
1959-1955	Rockwell Std. SW456 & SFDD4600 Axles w/Cast Whls.:			Scotseal .....	38750
	Seal .....	50148		Bearing (Inner) .....	495-AX/BR493
	Scotseal .....	48884		Bearing (Outer) .....	SET408
	Bearing (Inner) .....	BR760/BR752		(Set Components) .....	BR39590/BR39520
	Bearing (Outer) .....	BR749/BR742	1954-1951	Eaton 16500, 16600 & 16601; Rockwell H100 & H300 Axles:	
1959-1955	Rockwell Std. SW456 & SFDD4600 Axles w/o Cast Whls.:			Scotseal .....	39420
	Bearing (Inner) .....	BR760/BR752		Bearing (Inner) .....	495-AX/BR493
	Bearing (Outer) .....	BR749/BR742		Bearing (Outer) .....	SET408
1959-1954	Eaton 22M Axle:			(Set Components) .....	BR39590/BR39520
	Seal Kit .....	162	1954-1950	Eaton 1715, 1716, 1790, 1791, 1792, 1793, 1795, 1796, 17500, 17501, 17600, 17601, 17700, 17701, 2613, 2614, 2615 & 2616 Axles:	
	Seal Only .....	36314		Seal (w/Sleeve) .....	40036
	Bearing (Inner) .....	B12235-YK		Bearing (Inner) .....	SET411
	Bearing (Outer) .....	KA11950-Z		(Set Components) .....	BR47686/BR47620
1959-1952	Rockwell Std. SW3010, SW3020 & SFDD3020 Axles:			Bearing (Outer) .....	SET408
	Scotseal (Inner) .....	40136		(Set Components) .....	BR39590/BR39520
	Scotseal Plus XL .....	40129	1954-1950	Rockwell Std. SLDD Axle:	
	Bearing (Inner) .....	BR575/BR572		Seal (w/Sleeve) .....	40036
	Bearing (Outer) .....	BR575/BR572		Bearing (Inner) .....	SET411
1959-1952	Eaton 22501 Axle & Rockwell U200 Axle:			(Set Components) .....	BR47686/BR47620
	Seal .....	50148		Bearing (Outer) .....	SET408
	Scotseal .....	48884		(Set Components) .....	BR39590/BR39520
	Bearing (Inner) .....	BR760/BR752	1953-1951	Eaton 22M Axle:	
	Bearing (Outer) .....	BR749/BR742		Seal .....	31870
1959-1952	Rockwell Std. QT140, QT230, QT340, Q380, Q390, R100, R140, R200, R230, RT240, RT340 & R390 Axles:			Bearing (Inner) .....	B12235-YK
	Scotseal .....	48000		Bearing (Outer) .....	KA11950-Z
	Scotseal Plus XL .....	48002	1951-1950	Eaton 1350 Axle; GMC H125 Axle & Rockwell E301 Axles:	
	Bearing (Inner) .....	SET404		Seal (Inner) .....	35012
	(Set Components) .....	598-A/592-A		Bearing (Inner) .....	BR33281/BR33462
	Bearing (Outer) .....	SET401		Bearing (Outer) .....	BR45290/BR45220
	(Set Components) .....	BR580/BR572	1950-1949	Eaton 16500 Axle:	
1959-1947	Eaton 28M Axle:			Scotseal .....	39420
	Scotseal (3.875" Shaft) .....	38750		Bearing (Inner) .....	495-AX/BR493
	Scotseal (3.938" Shaft) .....	39420		Bearing (Outer) .....	SET408
	Bearing (Inner) .....	495-AX/BR493		(Set Components) .....	BR39590/BR39520
	Bearing (Outer) .....	SET408	1950-1947	Eaton 16600 & 16601 Axles:	
	(Set Components) .....	BR39590/BR39520		Scotseal .....	39420
				Bearing (Inner) .....	495-AX/BR493
				Bearing (Outer) .....	SET408
				(Set Components) .....	BR39590/BR39520

(Continued)

**Chevrolet/GMC Truck Tiltmaster/Transmode, Topkick/Kodiak, 1 1/2 ton, 2 ton, 2 1/2 ton, W series, 40 series/4500 series, 50 series/5500 series, 60 series/6500 series, 70 series/7500 series -- (Cont.)**

MFG./YEAR	MODEL & LOCATION	PART NO.	MFG./YEAR	MODEL & LOCATION	PART NO.
<b>Wheel Rear (Cont.)</b>			<b>Pinion (Cont.)</b>		
<b>1950-1947 Eaton 1780, 2627 &amp; 17000 Axles:</b>			<b>Rear Axle (Cont.)</b>		
	Bearing (Inner)	BR566/BR563	<b>1993-1990 Eaton 23085C Axle:</b>		
	Bearing (Outer)	BR3982/BR3920	Seal		30153
<b>1950-1947 Rockwell Std. H100 &amp; H300 Axles:</b>			(Speedi-Sleeve)		99300
Seal		39423	Bearing (Front)		72188-C/BR72487
Bearing (Inner)		495-AX/BR493	Bearing (Pilot)		MUS1308TM1
Bearing (Outer)		SET408	Bearing (Rear)		78215-C/BR78551
(Set Components)		BR39590/BR39520	<b>1993-1989 Eaton 21065T &amp; 22065T Axles:</b>		
<b>1950-1947 Rockwell Std. 55417-H Axle:</b>			Seal		26378
Seal (Inner)		35012	(Speedi-Sleeve)		99262
Bearing (Inner)		BR33281/BR33462	(Speedi-Sleeve/Seal Kit)		480262
Bearing (Outer)		BR3982/BR3920	Bearing (Front)		55200-C/BR55437
<b>1948-1947 Eaton 16500 Axle:</b>			Bearing (Pilot)		MUS1307-UM
Seal (Inner)		35012	Bearing (Rear)		72200-C/BR72487
Bearing (Inner)		BR33281/BR33462	<b>1993-1988 Eaton 26085P &amp; 26085T Axles:</b>		
Bearing (Outer)		BR3982/BR3920	Seal		30153
			(Speedi-Sleeve)		99300
			Bearing (Front)		72188-C/BR72487
			Bearing (Pilot)		MUS1308TM1
			Bearing (Rear)		78215-C/BR78551
<b>Pinion</b>			<b>1993-1987 Eaton 23070S Axle:</b>		
<b>Front Axle</b>			Seal		30153
<b>1986-1983 Coleman SD9 &amp; SD12 Axles:</b>			(Speedi-Sleeve)		99300
Seal		23806	Bearing (Front)		72188-C/BR72487
(Speedi-Sleeve)		99237	Bearing (Pilot)		MUS1308TM1
Bearing (Front)		HM903249-A/HM903210	Bearing (Rear)		78215-C/BR78551
Bearing (Pilot)		MU5205UM26	<b>1993-1987 Rockwell Std. RS23160 Axle:</b>		
Bearing (Rear)		HM903249-A/HM903210	Seal		32410
<b>1966-1965 GMC FHD070 Axle:</b>			(Speedi-Sleeve)		99325
Seal		22425	Bearing (Front)		HM813843/HM813810
(Speedi-Sleeve)		99225	Bearing (Rear)		BR9278/BR9220
Bearing (Front)		HM903247/HM903216	<b>1993-1986 Eaton 23070T Axle:</b>		
Bearing (Pilot)		MU1305TM17	Seal		30153
Bearing (Rear)		HM903247/HM903216	(Speedi-Sleeve)		99300
<b>1966-1962 GMC FD070 &amp; FH070 Axles:</b>			Bearing (Front)		72188-C/BR72487
Seal		22425	Bearing (Pilot)		MU5207-UM
(Speedi-Sleeve)		99225	Bearing (Rear)		78215-C/BR78551
Bearing (Front)		BR53176/BR53387	<b>1993-1986 Eaton 23105S Axle:</b>		
Bearing (Pilot)		MU1305TM17	Seal		30153
Bearing (Rear)		BR53176/BR53387	(Speedi-Sleeve)		99300
<b>Rear Axle</b>			Bearing (Front)		HM813841/HM813810
<b>1993-1991 Eaton 23070P Axle:</b>			<b>1993-1985 Eaton 22065S Axle:</b>		
Seal		30153	Seal		26378
(Speedi-Sleeve)		99300	(Speedi-Sleeve)		99262
Bearing (Front)		72188-C/BR72487	(Speedi-Sleeve/Seal Kit)		480262
Bearing (Pilot)		MU5207-UM	Bearing (Front)		55200-C/BR55437
Bearing (Rear)		78215-C/BR78551	Bearing (Pilot)		MUS1308TM1
<b>1993-1990 Eaton 19055D, 19055S &amp; 21065D Axles:</b>			Bearing (Rear)		78215-C/BR78551
Seal		26378	<b>1993-1984 Eaton 19050S Axle:</b>		
(Speedi-Sleeve)		99262	Seal		26378
(Speedi-Sleeve/Seal Kit)		480262	(Speedi-Sleeve)		99262
Bearing (Front)		55200-C/BR55437	(Speedi-Sleeve/Seal Kit)		480262
Bearing (Pilot)		MUS1308TM1	Bearing (Front)		HM903249/HM903210
Bearing (Rear)		78215-C/BR78551	Bearing (Rear)		72200-C/BR72487
<b>1993-1990 Eaton 19055T Axle:</b>					(Continued)
Seal		26378			
(Speedi-Sleeve)		99262			
(Speedi-Sleeve/Seal Kit)		480262			
Bearing (Front)		55200-C/BR55437			
Bearing (Pilot)		MUS1307-UM			
Bearing (Rear)		72200-C/BR72487			



# Passenger cars, light & medium trucks

(Cont.) -- Chevrolet/GMC Truck Tiltmaster/Transmode, Topkick/Kodiak, 1 1/2 ton, 2 ton, 2 1/2 ton, W series, 40 series/4500 series, 50 series/5500 series, 60 series/6500 series, 70 series/7500 series

MFG./YEAR	MODEL & LOCATION	PART NO.	MFG./YEAR	MODEL & LOCATION	PART NO.	
<b>Pinion (Cont.)</b>			<b>Pinion (Cont.)</b>			
<b>Rear Axle (Cont.)</b>			<b>Rear Axle (Cont.)</b>			
<b>1993-1984 Eaton 21065S Axle:</b>			<b>1988-1983 Eaton RS341, RT341, RS381, RT381 &amp; 17421 Axles:</b>			
	Seal	26378		Seal	26378	
	(Speedi-Sleeve)	99262		(Speedi-Sleeve)	99262	
	(Speedi-Sleeve/Seal Kit)	480262		(Speedi-Sleeve/Seal Kit)	480262	
	Bearing (Front)	55200-C/BR55437		Bearing (Front)	55200-C/BR55437	
	Bearing (Pilot)	MU1305UM18		Bearing (Pilot)	MUS1307TM1	
	Bearing (Rear)	78215-C/BR78551		Bearing (Rear)	55200-C/BR55437	
<b>1993-1983 Eaton 15040S Axle:</b>			<b>1988-1983 Rockwell Std. SL100, SQ100 &amp; SQR100 Axles:</b>			
	Seal	26378		Seal	30007	
	(Speedi-Sleeve)	99262		(Speedi-Sleeve)	99300	
	(Speedi-Sleeve/Seal Kit)	480262		Bearing (Front)	72212-C/BR72487	
	Bearing (Front)	HM903249/HM903210		Bearing (Pilot)	RU1570-UM	
	Bearing (Rear)	55175-C/BR55437		Bearing (Rear)	72212-C/BR72487	
<b>1993-1983 Eaton 15040T Axle:</b>			<b>1988-1979 GMC T175 Axle:</b>			
	Seal	26358		Seal	26378	
	(Speedi-Sleeve)	99262		(Speedi-Sleeve)	99262	
	Bearing (Front)	HM903249/HM903210		(Speedi-Sleeve/Seal Kit)	480262	
	Bearing (Pilot)	MU1305TM17		Bearing (Front)	55175-C/BR55437	
	Bearing (Rear)	HM903249/HM903210		Bearing (Pilot)	MUS1307TM1	
<b>1993-1983 Eaton 19050T Axle:</b>			<b>1988-1979 Eaton 21065T, 21221 &amp; 22065T Axles:</b>			
	Seal	26378		Seal	26378	
	(Speedi-Sleeve)	99262		(Speedi-Sleeve)	99262	
	(Speedi-Sleeve/Seal Kit)	480262		(Speedi-Sleeve/Seal Kit)	480262	
	Bearing (Front)	55175-C/BR55437		Bearing (Front)	55200-C/BR55437	
	Bearing (Pilot)	MUS1307-UM		Bearing (Pilot)	MUS1307TM1	
	Bearing (Rear)	55175-C/BR55437		Bearing (Rear)	72200-C/BR72487	
<b>1990-1984 Rockwell Std. R170 Axle:</b>			<b>1988-1979 Rockwell Std. H172 &amp; L172 Axles:</b>			
	Seal	30144		Seal	25106	
	(Speedi-Sleeve)	99300		(Speedi-Sleeve)	99250	
	Bearing (Front)	SET418		Bearing (Front)	HM804846/HM804810	
	(Set Components)	H715334/H715311		Bearing (Pilot)	RU1570-UM	
	Bearing (Pilot)	MU1309TM19		Bearing (Rear)	55200-C/BR55437	
	Bearing (Rear)	SET419		<b>1988-1973 Eaton 16121 Axle:</b>		
	(Set Components)	H715343/H715311		Seal	26358	
<b>1988-1983 Spicer M185T, M190T, M220S &amp; M220T Axles:</b>				(Speedi-Sleeve)	99262	
	Seal (Outer)	30100		Bearing (Front)	HM903249/HM903210	
	(Speedi-Sleeve) (Outer)	99300		Bearing (Pilot)	MUS1307TM1	
	Bearing (Front)	55200-C/BR55437		Bearing (Rear)	HM903249/HM903210	
	Bearing (Pilot)	MUS1308TM1	<b>1988-1973 Eaton 23121, 23221 &amp; 23321 Axles:</b>			
	Bearing (Rear)	72225-C/BR72487		Seal	29471	
<b>1988-1983 Spicer G175S, G175T, G185S &amp; G190S Axles:</b>				(Speedi-Sleeve)	99293	
	Seal (Outer)	30100		Bearing (Front)	72212-C/BR72487	
	(Speedi-Sleeve) (Outer)	99300		Bearing (Pilot)	MUS1308TM1	
	Bearing (Front)	55200-C/BR55437		Bearing (Rear)	78215-C/BR78551	
	Bearing (Pilot)	MUS1307TM1			(Continued)	
	Bearing (Rear)	55200-C/BR55437				
<b>1988-1983 Eaton DS341, DT341, DS381 &amp; DT381 Axles:</b>						
	Seal (Front)	29292				
	(Superseded by:)	29192				
	(Speedi-Sleeve) (Front)	99847				
	(Speedi-Sleeve) /Seal Kit (Front)	480294				
	Seal (Rear)	26239				
	(Speedi-Sleeve) (Rear)	99262				
	Bearing (Front)	HM807049/HM807010				
	Bearing (Pilot)	MUS1307TM1				
	Bearing (Rear)	72218-C/BR72487				

**Chevrolet/GMC Truck Tiltmaster/Transmode, Topkick/Kodiak, 1 1/2 ton, 2 ton, 2 1/2 ton, W series, 40 series/4500 series, 50 series/5500 series, 60 series/6500 series, 70 series/7500 series -- (Cont.)**

MFG./YEAR	MODEL & LOCATION	PART NO.	MFG./YEAR	MODEL & LOCATION	PART NO.
<b>Pinion (Cont.)</b>			<b>Pinion (Cont.)</b>		
<b>Rear Axle (Cont.)</b>			<b>Rear Axle (Cont.)</b>		
1988-1967	Eaton 17100, 17101, 17121, 17200, 17201, 17221, 18100, 18101, 18121, 18200, 18221 & 21121 Axles:		1987-1960	Eaton 34DS, 34DT, 34DTA, 34D3 & 38DPA	
	Seal	26239		<b>Axles:</b>	
	(Speedi-Sleeve)	99262		Seal	26239
	(Speedi-Sleeve/Seal Kit)	480260		(Speedi-Sleeve)	99262
	Seal (w/Retainer)	26378		Seal (w/Retainer)	26378
	(Speedi-Sleeve) (w/Retainer)	99262		(Speedi-Sleeve) (w/Retainer)	99262
	(Speedi-Sleeve) /Seal Kit (w/Retainer)	480262		(Speedi-Sleeve) /Seal Kit (w/Retainer)	480262
	Bearing (Front)	55200-C/BR55437		Bearing (Front)	72200-C/BR72487
	Bearing (Pilot)	MUS1307TM1		Bearing (Pilot)	MUS1307TM1
	Bearing (Rear)	55200-C/BR55437		Bearing (Rear)	72200-C/BR72487
1987	<b>W6:</b>		1987-1955	Eaton 34RS, 34RT, 34RTA, 34R3 & 38RPA	
	Seal	23484		<b>Axles:</b>	
1987-1986	<b>W4:</b>			Seal	26239
	Seal	22878		(Speedi-Sleeve)	99262
1987-1986	Eaton 15101 Axle:			Seal (w/Retainer)	26378
	Seal	22653		(Speedi-Sleeve) (w/Retainer)	99262
	(Speedi-Sleeve)	99225		(Speedi-Sleeve) /Seal Kit (w/Retainer)	480262
	Bearing (Front)	HM903249/HM903210		Bearing (Front)	55200-C/BR55437
	Bearing (Pilot)	MU1305TM17		Bearing (Pilot)	MUS1307TM1
	Bearing (Rear)	HM903249/HM903210		Bearing (Rear)	55200-C/BR55437
1987-1984	Spicer 70 H.D. Axle:		1986-1983	Eaton 16244 Axle:	
	Seal	18891		Seal	26378
	(Speedi-Sleeve)	99187		(Speedi-Sleeve)	99262
	Bearing (Front)	HM88542/HM88510		(Speedi-Sleeve/Seal Kit)	480262
	Bearing (Rear)	HM807040/HM807010		Bearing (Front)	55175-C/BR55437
1987-1984	<b>W7 Exc. 2 Spd. Axle:</b>			Bearing (Pilot)	MUS1307TM1
	Seal	26695		Bearing (Rear)	55175-C/BR55437
	(Speedi-Sleeve)	99266	1986-1983	<b>GMC T150 Axle:</b>	
1987-1979	<b>GMC H175 Axle:</b>			Seal	22653
	Seal	25106		(Speedi-Sleeve)	99225
	(Speedi-Sleeve)	99250		Bearing (Front)	HM903249/HM903210
	Bearing (Front)	HM804846/HM804810		Bearing (Pilot)	MU1305TM17
	Bearing (Pilot)	RU1570-UM		Bearing (Rear)	HM903249/HM903210
	Bearing (Rear)	55200-C/BR55437	1986-1982	<b>GMC H150 Axle w/1.625" Pinion Sh.:</b>	
1987-1967	<b>Rockwell Std. SLHD &amp; SQHD Axles Frt. Unit:</b>			Seal (2.250" Shaft)	22619
	Seal (Front)	29288		(Speedi-Sleeve) (2.250" Shaft)	99225
	(Superseded by:)	29188		Seal (2.598" Shaft)	25970
	(Speedi-Sleeve) (Front)	99847		(Speedi-Sleeve) (2.598" Shaft)	99259
	Seal (Rear)	27295		Bearing (Front)	HM803146/HM803110
	(Speedi-Sleeve) (Rear)	99274		Bearing (Pilot)	MU5206UM26
	(Speedi-Sleeve) /Seal Kit (Rear)	480273		Bearing (Rear)	HM803146/HM803110
	Bearing (Front)	72200-C/BR72487	1986-1982	<b>GMC H150 Axle w/1.750" Pinion Sh.:</b>	
	Bearing (Pilot)	RU1570-UM		Seal (2.250" Shaft)	22619
	Bearing (Rear)	72200-C/BR72487		(Speedi-Sleeve) (2.250" Shaft)	99225
1987-1967	<b>Rockwell Std. SLHD &amp; SQHD Axles Rr. Unit:</b>			Seal (2.598" Shaft)	25970
	Seal	27452		(Speedi-Sleeve) (2.598" Shaft)	99259
	(Speedi-Sleeve)	99274		Bearing (Front)	HM803149/HM803110
	(Speedi-Sleeve/Seal Kit)	480275		Bearing (Pilot)	MU5206UM26
	Bearing (Front)	72188-C/BR72487		Bearing (Rear)	HM803149/HM803110
	Bearing (Pilot)	RU1570-UM	1986-1982	<b>GMC H110 Axle:</b>	
	Bearing (Rear)	72200-C/BR72487		Seal	21379
				(Speedi-Sleeve)	99212
				Bearing (Front)	BR44143/BR44348
				Bearing (Pilot)	MU1305TM17
				Bearing (Rear)	M903345/M903310
					(Continued)

Passenger cars, light & medium trucks

(Cont.) -- Chevrolet/GMC Truck Tiltmaster/Transmode, Topkick/Kodiak, 1 1/2 ton, 2 ton, 2 1/2 ton, W series, 40 series/4500 series, 50 series/5500 series, 60 series/6500 series, 70 series/7500 series

MFG./YEAR	MODEL & LOCATION	PART NO.	MFG./YEAR	MODEL & LOCATION	PART NO.
<b>Pinion (Cont.)</b>			<b>Pinion (Cont.)</b>		
<b>Rear Axle (Cont.)</b>			<b>Rear Axle (Cont.)</b>		
<b>1986-1982 GMC H135 Axle:</b>			<b>1978-1973 Transmode:</b>		
	Seal	21379		Seal	16364
	(Speedi-Sleeve)	99212		(Speedi-Sleeve)	99162
	Bearing (Front)	HM803146/HM803110		Bearing (Front)	BR5
	Bearing (Pilot)	MU1305TM17		(Set Components)	LM48548/LM48510
	Bearing (Rear)	HM803146/HM803110		Bearing (Rear)	LM806349-C/LM806310
<b>1984-1977 GMC GM34000 Axle Frt. Unit:</b>			<b>1978-1967 Eaton 19201 Axle:</b>		
	Seal (Front)	26652		Seal	26239
	(Speedi-Sleeve) (Front)	99266		(Speedi-Sleeve)	99262
	Seal (Rear)	23435		(Speedi-Sleeve/Seal Kit)	480260
	(Speedi-Sleeve) (Rear)	99235		Bearing (Front)	72212-C/BR72487
<b>1984-1977 GMC GM34000 Axle Rr. Unit:</b>				Bearing (Pilot)	MUS1308TM1
	Seal	26695		Bearing (Rear)	72212-C/BR72487
	(Speedi-Sleeve)	99266	<b>1978-1959 Eaton 30DP, 30DS &amp; 30DSC Axles:</b>		
<b>1982-1981 Rockwell Std. F106 Axle:</b>				Seal	26239
	Seal	22619		(Speedi-Sleeve)	99262
	(Speedi-Sleeve)	99225		(Speedi-Sleeve/Seal Kit)	480260
	Bearing (Front)	HM803149/HM803110		Bearing (Front)	55200-C/BR55437
	Bearing (Pilot)	MU1305UM18		Bearing (Pilot)	MUS1307TM1
	Bearing (Rear)	JM511946/JM511910		Bearing (Rear)	55200-C/BR55437
<b>1982-1979 Eaton 16244 Axle:</b>			<b>1978-1959 Eaton 30RP, 30RS &amp; 30RSC Axles:</b>		
	Seal	26378		Seal (3.505" O.D.)	26186
	(Speedi-Sleeve)	99262		(Speedi-Sleeve) (3.505" O.D.)	99262
	(Speedi-Sleeve/Seal Kit)	480262		Seal (3.628" O.D.)	26239
	Bearing (Front)	55200-C/BR55437		(Speedi-Sleeve) (3.628" O.D.)	99262
	Bearing (Pilot)	MUS1307TM1		(Speedi-Sleeve/Seal Kit)	480260
	Bearing (Rear)	55200-C/BR55437		Bearing (Front)	HM903249/HM903210
<b>1982-1966 GMC T150, T170 &amp; T185 Axles:</b>				Bearing (Pilot)	MUS1307TM1
	Seal	25990		Bearing (Rear)	HM903249/HM903210
	(Speedi-Sleeve)	99259	<b>1972-1967 Eaton 19100 Axle:</b>		
	Bearing (Front)	HM804848/HM804810		Seal	26239
	Bearing (Pilot)	M5305-TV		(Speedi-Sleeve)	99262
	Bearing (Rear)	55200-C/BR55437		(Speedi-Sleeve/Seal Kit)	480260
<b>1981-1967 GMC H135, H150 &amp; H170 Axles:</b>				Bearing (Front)	72212-C/BR72487
	Seal	25970		Bearing (Pilot)	MU1309-TM
	(Speedi-Sleeve)	99259		Bearing (Rear)	72212-C/BR72487
	Bearing (Front)	A1011	<b>1972-1966 Rockwell Std. H140 &amp; G161 Axles 2nd Design:</b>		
	Bearing (Rear)	MU5206UM26		Seal	23695
<b>1981-1967 GMC H110 Axle:</b>				(Speedi-Sleeve)	99237
	Seal	25970		Bearing (Front)	55176-C/BR55443
	(Speedi-Sleeve)	99259		Bearing (Pilot)	RU1570-UM
	Bearing (Front)	5310-WA		Bearing (Rear)	55187-C/BR55443
	Bearing (Rear)	MU1306UM23	<b>1972-1966 Rockwell Std. H162 Axle 2nd Design:</b>		
<b>1979-1957 Rockwell Std. H362 &amp; L361 Axles:</b>				Seal	27461
	Seal	27461		(Speedi-Sleeve)	99274
	(Speedi-Sleeve)	99274		(Speedi-Sleeve/Seal Kit)	480275
	(Speedi-Sleeve/Seal Kit)	480275		Bearing (Front)	55187-C/BR55437
<b>1979-1957 Rockwell Std. L362 Axle:</b>				Bearing (Pilot)	RU1570-UM
	Seal	27601		Bearing (Rear)	55200-C/BR55437
	(Speedi-Sleeve)	99274	<b>1972-1965 Eaton 16121 &amp; 16221 Axles:</b>		
	(Speedi-Sleeve/Seal Kit)	480278		Seal	26186
	Bearing (Front)	HM807046/HM807010		(Speedi-Sleeve)	99262
	Bearing (Rear)	HM813844/HM813810		Bearing (Front)	HM903249/HM903210
				Bearing (Pilot)	MUS1307TM1
				Bearing (Rear)	HM903249/HM903210

(Continued)

**Chevrolet/GMC Truck Tiltmaster/Transmode, Topkick/Kodiak, 1 1/2 ton, 2 ton, 2 1/2 ton, W series, 40 series/4500 series, 50 series/5500 series, 60 series/6500 series, 70 series/7500 series -- (Cont.)**

MFG./YEAR	MODEL & LOCATION	PART NO.	MFG./YEAR	MODEL & LOCATION	PART NO.
<b>Pinion (Cont.)</b>			<b>Pinion (Cont.)</b>		
<b>Rear Axle (Cont.)</b>			<b>Rear Axle (Cont.)</b>		
1972-1955	Rockwell Std. H340 & G361 Axles:		1966-1957	Eaton 1910 & 1911 Axles:	
	Seal	23841		Seal	26239
	(Speedi-Sleeve)	99237		(Speedi-Sleeve)	99262
	Bearing (Front)	HM803145/HM803110		(Speedi-Sleeve/Seal Kit)	480260
	Bearing (Rear)	HM807046/HM807010		Bearing (Front)	78215-C/BR78551
1972-1955	GMC H150 & H170 Axles:			Bearing (Pilot)	MU1309-TM
	Seal	25970		Bearing (Rear)	78215-C/BR78551
	(Speedi-Sleeve)	99259	1966-1955	Rockwell Std. H100, H140 & G161 Axles 1st Design:	
	Bearing (Front)	A1011		Seal	23695
	Bearing (Rear)	MR5206-UV		(Speedi-Sleeve)	99237
1972-1955	Rockwell Std. L162 & QT140 Axles:			Bearing (Front)	55176-C/BR55443
	Seal	27461		Bearing (Pilot)	MU1306UM23
	(Speedi-Sleeve)	99274		Bearing (Rear)	55187-C/BR55443
	(Speedi-Sleeve/Seal Kit)	480275	1966-1955	Rockwell Std. H162 Axle 1st Design:	
	Bearing (Front)	BR66212/BR66462		Seal	27461
	Bearing (Pilot)	MU1307-TM		(Speedi-Sleeve)	99274
	Bearing (Rear)	72225-C/BR72487		(Speedi-Sleeve/Seal Kit)	480275
1966-1965	Rockwell Std. R100 & R140 Axles:			Bearing (Front)	55187-C/BR55437
	Seal	27461		Bearing (Pilot)	MU1306UM23
	(Speedi-Sleeve)	99274		Bearing (Rear)	55200-C/BR55437
	(Speedi-Sleeve/Seal Kit)	480275	1966-1955	Eaton 1618, 1619, 16802, 16803 & 6803 Axles:	
	Bearing (Front)	SET418		Seal (3.505" O.D.)	26186
	(Set Components)	H715334/H715311		(Speedi-Sleeve)	99262
	Bearing (Pilot)	MU1308-TM		Seal (3.628" O.D.)	26239
	Bearing (Rear)	SET419		(Speedi-Sleeve)	99262
	(Set Components)	H715343/H715311		(Speedi-Sleeve/Seal Kit)	480260
1966-1960	Rockwell Std. SLHD & SQHD Axles Frt. Unit:			Bearing (Front)	HM903249/HM903210
	Seal (Front)	29288		Bearing (Pilot)	MUS1307TM1
	(Superseded by:)	29188		Bearing (Rear)	HM903249/HM903210
	(Speedi-Sleeve) (Front)	99847	1966-1955	Rockwell Std. L161 Axle:	
	(Speedi-Sleeve/Seal Kit)	480293		Seal	27461
	Seal (Rear)	27295		(Speedi-Sleeve)	99274
	(Speedi-Sleeve) (Rear)	99274		(Speedi-Sleeve/Seal Kit)	480275
	Bearing (Front)	72200-C/BR72487		Bearing (Front)	55187-C/BR55437
	Bearing (Pilot)	MU1306UM23	1966-1952	Rockwell Std. QT230, R200, RT240 & U200 Axles:	
	Bearing (Rear)	72200-C/BR72487		Seal	27601
1966-1960	Rockwell Std. SLHD & SQHD Axles Rr. Unit:			(Speedi-Sleeve)	99274
	Seal	27452		(Speedi-Sleeve/Seal Kit)	480278
	(Speedi-Sleeve)	99274		Bearing (Front)	HM807046/HM807010
	(Speedi-Sleeve/Seal Kit)	480275		Bearing (Rear)	SET420
	Bearing (Front)	72188-C/BR72487		(Set Components)	H715345/H715311
	Bearing (Pilot)	MU1306UM23	1966-1952	Rockwell Std. SFDD3020, SLDD & SQDD Axles Frt. Unit:	
	Bearing (Rear)	72188-C/BR72487		Seal (Front)	29292
1966-1959	Eaton 32M & 34M Axles Frt. Unit:			(Superseded by:)	29192
	Seal	23652		(Speedi-Sleeve) (Front)	99847
	(Speedi-Sleeve)	99237		Seal (Rear)	27558
	Bearing (Front)	55175-C/BR55437		(Speedi-Sleeve) (Rear)	99274
	Bearing (Pilot)	MUS1307TM1		(Speedi-Sleeve/Seal Kit) (Rear)	480273
	Bearing (Rear)	55175-C/BR55437		Bearing (Front)	BR497/BR493
1966-1959	Eaton 32M & 34M Axles Rr. Unit:			Bearing (Pilot)	MR1212-EX
	Seal	26239		Bearing (Rear)	BR42350/BR42584
	(Speedi-Sleeve)	99262			(Continued)
	(Speedi-Sleeve/Seal Kit)	480260			
	Bearing (Front)	55200-C/BR55437			
	Bearing (Pilot)	MUS1307TM1			
	Bearing (Rear)	55200-C/BR55437			

# Passenger cars, light & medium trucks

(Cont.) -- Chevrolet/GMC Truck Tiltmaster/Transmode, Topkick/Kodiak, 1 1/2 ton, 2 ton, 2 1/2 ton, W series, 40 series/4500 series, 50 series/5500 series, 60 series/6500 series, 70 series/7500 series

MFG./YEAR	MODEL & LOCATION	PART NO.	MFG./YEAR	MODEL & LOCATION	PART NO.
<b>Pinion (Cont.)</b>			<b>Pinion (Cont.)</b>		
<b>Rear Axle (Cont.)</b>			<b>Rear Axle (Cont.)</b>		
1966-1952	Rockwell Std. SFDD3020, SLDD & SQDD Axles		1965-1955	GMC T150 Axle:	
	Rr. Unit:			Seal	25970
	Seal	27558		(Speedi-Sleeve)	99259
	(Speedi-Sleeve)	99274		Bearing (Front)	A1011
	(Speedi-Sleeve/Seal Kit)	480273		Bearing (Rear)	MR5206-UV
	Bearing (Front)	BR497/BR493	1965-1952	Rockwell Std. SW3020 & SW456 Axles Frt.	
	Bearing (Pilot)	MR1212-EX		Unit:	
	Bearing (Rear)	BR42350/BR42584		Seal (Front)	30007
1966-1950	Eaton 17000, 17001, 17500, 17501, 17800, 17801, 18500, 18501, 18502, 18503, 18802 & 18803 Axles:			(Speedi-Sleeve) (Front)	99300
	Seal	26239		Seal (Rear)	17523
	(Speedi-Sleeve)	99262		(Speedi-Sleeve) (Rear)	99174
	(Speedi-Sleeve/Seal Kit)	480260		Bearing (Front)	72218-C/BR72487
	Bearing (Front)	55200-C/BR55437		Bearing (Rear)	72200-C/BR72487
	Bearing (Pilot)	MUS1307TM1	1965-1952	Rockwell Std. SW3020 & SW456 Axles Rr.	
	Bearing (Rear)	55200-C/BR55437		Unit:	
1966-1950	Eaton 1792, 1793, 1890 & 1891 Axles:			Seal	17484
	Seal	26239		(Speedi-Sleeve)	99174
	(Speedi-Sleeve)	99262		Bearing (Front)	72218-C/BR72487
	(Speedi-Sleeve/Seal Kit)	480260		Bearing (Rear)	72200-C/BR72487
	Bearing (Front)	72212-C/BR72487	1965-1950	Eaton 28M Axle Frt. Unit:	
	Bearing (Rear)	72212-C/BR72487		Seal (Front)	23652
1966-1947	Eaton 19501, 19502, 19503, 19515 & 20500 Axles:			(Speedi-Sleeve) (Front)	99237
	Seal	26239		Seal (Rear)	22424
	(Speedi-Sleeve)	99262		(Speedi-Sleeve) (Rear)	99225
	(Speedi-Sleeve/Seal Kit)	480260		Bearing (Front)	BR53177/BR53375
	Bearing (Front)	72212-C/BR72487		Bearing (Pilot)	MUS206UM26
	Bearing (Pilot)	MUS1308TM1		Bearing (Rear)	BR53177/BR53375
	Bearing (Rear)	72212-C/BR72487	1965-1950	Eaton 28M Axle Rr. Unit:	
1966-1947	Eaton 1780, 1790, 1791 & 1880 Axles:			Seal	23755
	Seal	26239		(Speedi-Sleeve)	99237
	(Speedi-Sleeve)	99262		Bearing (Front)	55175-C/BR55437
	(Speedi-Sleeve/Seal Kit)	480260		Bearing (Pilot)	MUS206UM26
	Bearing (Front)	55200-C/BR55437		Bearing (Rear)	55175-C/BR55437
	Bearing (Pilot)	MUS1307TM1	1964-1955	Rockwell Std. R100 & R140 Axles:	
	Bearing (Rear)	55200-C/BR55437		Seal	27461
1965-1960	GMC H130 Axle:			(Speedi-Sleeve)	99274
	Seal	25970		(Speedi-Sleeve/Seal Kit)	480275
	(Speedi-Sleeve)	99259		Bearing (Pilot)	MU1308-TM
	Bearing (Front)	5310-WA	1959-1956	Rockwell Std. R390 Axle:	
	Bearing (Rear)	M5205-UV		Bearing (Rear)	SET420
1965-1956	Rockwell Std. SFDD & SFDD4600 Axles:			(Set Components)	H715345/H715311
	Seal	30057	1959-1956	Rockwell Std. Q380 & Q390 Axles:	
	(Speedi-Sleeve)	99300		Bearing (Rear)	SET419
	(Speedi-Sleeve/Seal Kit)	480303		(Set Components)	H715343/H715311
	Bearing (Front)	BR497/BR493	1959-1956	Rockwell Std. E350 Axle:	
	Bearing (Pilot)	MR1213-TV		Seal	22619
	Bearing (Rear)	BR42350/BR42584		(Speedi-Sleeve)	99225
1965-1955	Eaton 7801, 8802 & 8803 Axles:			Bearing (Front)	HM803145/HM803110
	Seal	26239		Bearing (Rear)	HM807046/HM807010
	(Speedi-Sleeve)	99262			(Continued)
	(Speedi-Sleeve/Seal Kit)	480260			
	Bearing (Front)	55200-C/BR55437			
	Bearing (Pilot)	MUS1307TM1			
	Bearing (Rear)	55200-C/BR55437			

**Chevrolet/GMC Truck Tiltmaster/Transmode, Topkick/Kodiak, 1 1/2 ton, 2 ton, 2 1/2 ton, W series, 40 series/4500 series, 50 series/5500 series, 60 series/6500 series, 70 series/7500 series -- (Cont.)**

MFG./YEAR	MODEL & LOCATION	PART NO.	MFG./YEAR	MODEL & LOCATION	PART NO.
<b>Pinion (Cont.)</b>			<b>Pinion (Cont.)</b>		
<b>Rear Axle (Cont.)</b>			<b>Rear Axle (Cont.)</b>		
1959-1951	Eaton 22M Axle Frt. Unit:		1957-1956	Rockwell Std. L371 Axle:	
	Seal (Front) .....	23652		Seal .....	27601
	(Speedi-Sleeve) (Front) .....	99237		(Speedi-Sleeve) .....	99274
	Seal (Rear) .....	22424		(Speedi-Sleeve/Seal Kit) .....	480278
	(Speedi-Sleeve) (Rear) .....	99225		Bearing (Front) .....	HM807040/HM807010
	Bearing (Front) .....	BR53177/BR53375	1956-1955	Eaton 22501 Axle:	
	Bearing (Pilot) .....	MU5205UM26		Seal .....	◇29292
	Bearing (Rear) .....	BR53177/BR53375		(Superseded by).....	29192
1959-1951	Eaton 22M Axle Rr. Unit:			(Speedi-Sleeve) .....	99847
	Seal .....	23755		Bearing (Front) .....	78215-C/BR78551
	(Speedi-Sleeve) .....	99237		Bearing (Pilot) .....	MU1309-TM
	Bearing (Front) .....	BR53177/BR53375		Bearing (Rear) .....	78215-C/BR78551
	Bearing (Pilot) .....	MU5205UM26	1956-1950	Eaton 16600 & 16601 Axles:	
	Bearing (Rear) .....	BR53177/BR53375		Seal .....	23755
1959-1950	Eaton 2615, 2616, 2695 & 2696 Axles:			(Speedi-Sleeve) .....	99237
	Seal .....	26239		Bearing (Front) .....	BR59175/BR59412
	(Speedi-Sleeve) .....	99262		Bearing (Rear) .....	BR65237/BR65500
	Bearing (Front) .....	BR59175/BR59412	1955	Rockwell Std. QT230 Axle:	
	Bearing (Rear) .....	BR639/BR632		Seal .....	27601
1957	Rockwell Std. QT340 Axle:			(Speedi-Sleeve) .....	99274
	Seal .....	27601		(Speedi-Sleeve/Seal Kit) .....	480278
	(Speedi-Sleeve) .....	99274	1955-1947	Rockwell Std. H300 Axle:	
	(Speedi-Sleeve/Seal Kit) .....	480278		Seal .....	23841
	Bearing (Front) .....	HM807046/HM807010		(Speedi-Sleeve) .....	99237
	Bearing (Rear) .....	HM813844/HM813810		Bearing (Rear) .....	BR39580/BR39520
1957	Rockwell Std. RT340 Axle:		1955-1947	Eaton 2613 & 2614 Axles:	
	Seal .....	27601		Seal .....	26239
	(Speedi-Sleeve) .....	99274		(Speedi-Sleeve) .....	99262
	(Speedi-Sleeve/Seal Kit) .....	480278		Bearing (Rear) .....	558-A/553-X
	Bearing (Front) .....	HM807046/HM807010	1954-1952	Rockwell Std. SW3010 Axle Frt. Unit:	
	Bearing (Rear) .....	SET420		Seal (Front) .....	19970
	(Set Components) .....	H715345/H715311		(Speedi-Sleeve) (Front) .....	99199
1957	Rockwell Std. SFHD Axle Frt. Unit:			Seal (Rear) .....	17484
	Seal (Front) .....	23695		(Speedi-Sleeve) (Rear) .....	99174
	(Speedi-Sleeve) (Front) .....	99237		Bearing (Front) .....	72212-C/BR72487
	Seal (Rear) .....	22448	1954-1952	Rockwell Std. SW3010 Axle Rr. Unit:	
	(Speedi-Sleeve) (Rear) .....	99225		Seal .....	17484
	Bearing (Front) .....	BR53176/BR53387		(Speedi-Sleeve) .....	99174
	Bearing (Pilot) .....	MU1305TM17		Bearing (Rear) .....	72200-C/BR72487
	Bearing (Rear) .....	BR53176/BR53387	1954-1952	Rockwell Std. SD3010 & SD3020 Axles:	
1957	Rockwell Std. SFHD Axle Rr. Unit:			Seal .....	◇29292
	Seal .....	22425		(Superseded by).....	29192
	(Speedi-Sleeve) .....	99225		(Speedi-Sleeve) .....	99847
	Bearing (Front) .....	BR53176/BR53387		Bearing (Front) .....	BR566/BR563
	Bearing (Pilot) .....	MU1305TM17		Bearing (Rear) .....	BR3975/BR3920
	Bearing (Rear) .....	BR53176/BR53387	1954-1947	Eaton 16500 & 16501 Axles:	
1957-1956	Rockwell Std. H370 Axle:			Seal .....	23755
	Bearing (Rear) .....	BR65225/BR65500		(Speedi-Sleeve) .....	99237
1957-1956	Rockwell Standard H350 Axle:			Bearing (Front) .....	BR53176/BR53375
	Seal .....	23846		Bearing (Pilot) .....	MUS1307TM1
1957-1956	Rockwell Std. L351 Axle:			Bearing (Rear) .....	BR53176/BR53375
	Seal .....	27601			(Continued)
	(Speedi-Sleeve) .....	99274			
	(Speedi-Sleeve/Seal Kit) .....	480278			
	Bearing (Front) .....	HM807040/HM807010			

# Passenger cars, light & medium trucks

(Cont.) -- Chevrolet/GMC Truck Tiltmaster/Transmode, Topkick/Kodiak, 1 1/2 ton, 2 ton, 2 1/2 ton, W series, 40 series/4500 series, 50 series/5500 series, 60 series/6500 series, 70 series/7500 series

MFG./YEAR	MODEL & LOCATION	PART NO.	MFG./YEAR	MODEL & LOCATION	PART NO.
<b>Pinion (Cont.)</b>			<b>Differential (Cont.)</b>		
<b>Rear Axle (Cont.)</b>			<b>Rear Axle</b>		
1951-1950	Eaton 1715 & 1716 Axles:		1993-1991	Eaton DS341 Axle:	
	Seal	26239		Bearing (L.H.)	BR497/BR493
	(Speedi-Sleeve)	99262		Bearing (R.H.)	SET425
	Bearing (Front)	72212-C/BR72487		(Set Components)	BR567/BR563
	Bearing (Pilot)	MU1307-TM	1993-1991	Eaton DT341 Axle:	
	Bearing (Rear)	72212-C/BR72487		Bearing (L.H.)	BR497/BR493
1951-1950	Eaton 1211, 1300 & 1350 Axles:			Bearing (R.H.)	BR56425/BR56650
	Seal	20098	1993-1990	Eaton 19055D, 19055S & 21065D Axles:	
	(Speedi-Sleeve)	99199		Bearing (L.H.)	BR598/592-A
	Bearing (Front)	BR53176/BR53375		Bearing (R.H.)	BR497/BR493
	Bearing (Pilot)	MU1305TM17	1993-1990	Eaton 19055T & 23070P Axles:	
	Bearing (Rear)	BR53176/BR53375		Bearing (L.H.)	BR56425/BR56650
1951-1950	Eaton 17600, 17601, 18600 & 18601 Axles:			Bearing (R.H.)	BR497/BR493
	Seal	26239	1993-1990	Eaton 23085C, 23085P & 26085T Axles:	
	(Speedi-Sleeve)	99262		Bearing (L.H.)	BR68462/BR68712
	Bearing (Front)	BR59175/BR59412		Bearing (R.H.)	BR42381/BR42584
1951-1950	Eaton 17700, 17701, 18700 & 18701 Axles:		1993-1990	Rockwell Std. RS23160 Axle:	
	Seal	26239		Bearing	[2] SET403
	(Speedi-Sleeve)	99262		(Set Components)	594-A/592-A
	Bearing (Front)	HM807040/HM807010	1993-1990	Rockwell Std. DT402P Axle:	
	Bearing (Rear)	SET419		Bearing (L.H.)	BR497/BR493
	(Set Components)	H715343/H715311		Bearing (R.H.)	BR56425/BR56650
1951-1950	Rockwell Std. E301 Axle:		1993-1990	Rockwell Std. SL100P & SQ100P Axles:	
	Seal	22619		Bearing	JM716649/JM716610
	(Speedi-Sleeve)	99225	1993-1989	Eaton 15040S & 19050S Axles:	
1951-1950	Eaton 1795, 1796, 1895 & 1896 Axles:			Bearing (L.H.)	BR497/BR493
	Seal	26239		Bearing (R.H.)	BR3994/BR3920
	(Speedi-Sleeve)	99262	1993-1989	Eaton 23105S Axle:	
	Bearing (Front)	HM911242/HM911210		Bearing (R.H.)	JM822049/JM822010
	Bearing (Pilot)	MUS1308TM1	1993-1987	Eaton 19050T Axle:	
	Bearing (Rear)	HM911242/HM911210		Bearing (L.H.)	BR42381/BR42584
1951-1947	Rockwell Std. 55417-H Axle:			Bearing (R.H.)	495-A/BR493
	Seal	15039	1993-1986	Eaton 21065T, 22065T & 23070T Axles:	
	(Speedi-Sleeve)	99149		Bearing (L.H.)	BR56425/BR56650
	Bearing (Pilot)	MU1306UM23		Bearing (R.H.)	BR497/BR493
1951-1947	Rockwell Std. H100 Axle:		1993-1983	Eaton 21065S, 22065S & 23070S Axles:	
	Seal	23695		Bearing (L.H.)	BR598/592-A
	(Speedi-Sleeve)	99237		Bearing (R.H.)	BR497/BR493
	Bearing (Front)	55176-C/BR55443	1993-1983	Eaton 15040T Axle:	
	Bearing (Pilot)	MU1306UM23		Bearing (L.H.)	BR498/BR493
	Bearing (Rear)	55187-C/BR55443		Bearing (R.H.)	BR33275/BR33472
1950-1947	Eaton 2627 Axle:		1990-1986	Eaton 17421 Axle:	
	Seal	26239		Bearing (L.H.)	BR497/BR493
	(Speedi-Sleeve)	99262		Bearing (R.H.)	BR56425/BR56650
	Bearing (Rear)	BR621/BR612	1990-1986	Eaton DS341 & DS381 Axles:	
				Bearing (L.H.)	BR497/BR493
				Bearing (R.H.)	SET425
				(Set Components)	BR567/BR563
			1990-1984	Rockwell Std. R170 Axle:	
				Bearing (L.H.)	BR52387/BR52618
				Bearing (R.H.)	BR598/592-A
			1990-1979	Eaton DT341 & DT381 Axles:	
				Bearing (L.H.)	BR497/BR493
				Bearing (R.H.)	BR56425/BR56650
			1989-1987	Rockwell Std. RS23160 Axle:	
				Bearing	32021-X
					(Continued)
<b>Differential</b>					
<b>Front Axle</b>					
1986-1983	Coleman SD9 & SD12 Axles:				
	Bearing	BR3984/BR3925			
1978-1973	Transmode:				
	Bearing	387-A/382-A			
1966-1962	GMC FD070, FH070 & FHD070 Axles:				
	Bearing	BR3994/BR3920			

**Chevrolet/GMC Truck Tiltmaster/Transmode, Topkick/Kodiak, 1 1/2 ton, 2 ton, 2 1/2 ton, W series, 40 series/4500 series, 50 series/5500 series, 60 series/6500 series, 70 series/7500 series -- (Cont.)**

MFG./YEAR	MODEL & LOCATION	PART NO.	MFG./YEAR	MODEL & LOCATION	PART NO.
<b>Differential (Cont.)</b>			<b>Differential (Cont.)</b>		
<b>Rear Axle (Cont.)</b>			<b>Rear Axle (Cont.)</b>		
1988-1986	Eaton 15040S & 19050S Axles w/3.25" Brg. I.D.:		1987-1983	GMC T150 Axle:	
	Bearing (L.H.)	BR495/BR493		Bearing (L.H.)	BR498/BR493
	Bearing (R.H.)	BR3994/BR3920		Bearing (R.H.)	BR33275/BR33472
1988-1986	Eaton 15040S & 19050S Axles w/3.375" Brg. I.D.:		1987-1983	Spicer G175T Axle:	
	Bearing (L.H.)	BR497/BR493		Bearing (L.H.)	BR42381/BR42584
	Bearing (R.H.)	BR3994/BR3920		Bearing (R.H.)	BR495/BR493
1988-1986	Eaton RS342 & RS381 Axles:		1987-1981	GMC H175 Axle:	
	Bearing (L.H.)	SET425		Bearing	JLM714149/JLM714110
	(Set Components)	BR567/BR563	1987-1979	Eaton 22121 Axle:	
	Bearing (R.H.)	BR497/BR493		Bearing (L.H.)	SET425
1988-1986	Eaton 21121 Axle:			(Set Components)	BR567/BR563
	Bearing (L.H.)	SET425		Bearing (R.H.)	BR497/BR493
	(Set Components)	BR567/BR563	1987-1973	Eaton 34RT Axle:	
	Bearing (R.H.)	BR497/BR493		Bearing (L.H.)	BR56425/BR56650
1988-1986	Eaton 23105S Axle:			Bearing (R.H.)	BR497/BR493
	Bearing (L.H.)	BR52400/BR52618	1987-1973	Eaton 34DT Axle:	
	Bearing (R.H.)	JM822049/JM822010		Bearing (L.H.)	BR497/BR493
1988-1983	Spicer G185S & G190S Axles:			Bearing (R.H.)	BR56425/BR56650
	Bearing (L.H.)	BR42381/BR42584	1987-1973	Eaton 23221 Axle w/Carrier 103537:	
	Bearing (R.H.)	BR495/BR493		Bearing (L.H.)	BR68462/BR68712
1988-1983	Spicer M185T, M190S, M190T, M220S & M220T Axles:			Bearing (R.H.)	BR42346/BR42584
	Bearing (L.H.)	JM822049/JM822010	1987-1973	Eaton 23221 Axle w/Carrier 27950:	
	Bearing (R.H.)	JM716649/JM716610		Bearing (L.H.)	BR68450/BR68712
1988-1983	Rockwell Std. SL100, SLR100, SQ100 & SQR100 Axles:			Bearing (R.H.)	BR42346/BR42584
	Bearing	JM716649/JM716610	1987-1973	Eaton 22221 Axle:	
1988-1981	Rockwell Std. H172 & L172 Axles:			Bearing (L.H.)	BR56425/BR56650
	Bearing	JLM714149/JLM714110		Bearing (R.H.)	BR497/BR493
1988-1979	GMC T175 Axle:		1986-1985	Eaton 23321 Axle:	
	Bearing (L.H.)	BR42381/BR42584		Bearing (L.H.)	BR68462/BR68712
	Bearing (R.H.)	495-AX/BR493		Bearing (R.H.)	BR42346/BR42584
1988-1979	Eaton RT341 & RT381 Axles:		1986-1983	Eaton 23121 Axle:	
	Bearing (L.H.)	BR56425/BR56650		Bearing (L.H.)	BR665/BR653
	Bearing (R.H.)	BR497/BR493		Bearing (R.H.)	BR42381/BR42584
1988-1967	Eaton 16121 Axle 2nd Design:		1986-1983	GMC H135 Axle:	
	Bearing (L.H.)	SET425		Bearing	BR3994/JM511910
	(Set Components)	BR567/BR563	1986-1982	GMC H110 Axle:	
	Bearing (R.H.)	BR3994/BR3920		Bearing	BR395/394-A
1988-1967	Eaton 17100, 17101, 18100 & 18121 Axles:		1986-1967	Eaton 34DS Axle:	
	Bearing (L.H.)	SET425		Bearing (L.H.)	BR497/BR493
	(Set Components)	BR567/BR563		Bearing (R.H.)	SET425
	Bearing (R.H.)	BR497/BR493		(Set Components)	BR567/BR563
1988-1967	Eaton 17200, 17221, 18200 & 18221 Axles:		1986-1967	Eaton 34RS Axle:	
	Bearing (L.H.)	BR56425/BR56650		Bearing (L.H.)	SET425
	Bearing (R.H.)	BR497/BR493		(Set Components)	BR567/BR563
1987	Spicer 70 H.D. Axle:			Bearing (R.H.)	BR497/BR493
	Bearing	BR469/453-X	1986-1958	GMC H150 & H170 Axles:	
1987	W6 w/13.50" Ring Gear:			Bearing	KR12051-Z
	Bearing	BR3984/BR3920	1983-1965	Rockwell Std. SLHD, SLHR & SQHD Axles w/3.188" Brg. I.D.:	
1987-1986	Eaton 15101 Axle:			Bearing	BR496/BR493
	Bearing	BR3994/BR3920	1982-1981	Rockwell Std. F106 Axle:	
1987-1986	W4:			Bearing	BR3994/JM511910
	Bearing	BR29590/BR29522	1982-1979	Eaton 16244 Axle:	
				Bearing (L.H.)	BR42381/BR42584
				Bearing (R.H.)	495-A/BR493
					(Continued)



# Passenger cars, light & medium trucks

(Cont.) -- Chevrolet/GMC Truck Tiltmaster/Transmode, Topkick/Kodiak, 1 1/2 ton, 2 ton, 2 1/2 ton, W series, 40 series/4500 series, 50 series/5500 series, 60 series/6500 series, 70 series/7500 series

MFG./YEAR	MODEL & LOCATION	PART NO.	MFG./YEAR	MODEL & LOCATION	PART NO.
<b>Differential (Cont.)</b>			<b>Differential (Cont.)</b>		
<b>Rear Axle (Cont.)</b>			<b>Rear Axle (Cont.)</b>		
1982-1973	GMC T185 Axle:		1966-1960	Eaton 30DP & 30DS Axles:	
	Bearing (L.H.)	BR42381/BR42584		Bearing (L.H.)	495-A/BR493
	Bearing (R.H.)	BR33287/BR33472		Bearing (R.H.)	BR42381/BR42584
1982-1973	GMC H135 Axle:		1966-1960	Eaton 30RP & 30RS Axles:	
	Bearing	KR12051-Z		Bearing (L.H.)	BR42381/BR42584
1982-1967	GMC T150 & T170 Axles:			Bearing (R.H.)	495-A/BR493
	Bearing (L.H.)	BR42381/BR42584	1966-1959	Eaton 1790 & 1791 Axles w/Ribbed Carrier:	
	Bearing (R.H.)	BR33287/BR33472		Bearing (L.H.)	SET425
1981-1967	GMC H110 Axle:			(Set Components)	BR567/BR563
	Bearing	KA11820-Z		Bearing (R.H.)	BR33281/BR33472
1978-1967	Eaton 30DSC Axle w/Ribbed Carrier:		1966-1958	Eaton 1880, 7801, 8802 & 8803 Axles:	
	Bearing (L.H.)	BR42381/BR42584		Bearing (L.H.)	BR56425/BR56650
	Bearing (R.H.)	495-A/BR493		Bearing (R.H.)	BR497/BR493
1978-1967	Eaton 30DSC Axle w/Conical Carrier:		1966-1957	Rockwell Std. RT240 & RT340 Axles:	
	Bearing (L.H.)	SET425		Bearing (L.H.)	BR47687/BR47620
	(Set Components)	BR567/BR563		Bearing (R.H.)	SET422
	Bearing (R.H.)	BR3994/BR3920		(Set Components)	HM516449-C/HM516410
1978-1967	Eaton 19100 Axle:		1966-1957	Eaton 1910 & 1911 Axles:	
	Bearing (L.H.)	BR665/BR653		Bearing (L.H.)	BR665/BR653
	Bearing (R.H.)	BR42381/BR42584		Bearing (R.H.)	BR42381/BR42584
1978-1967	Eaton 19201 Axle:		1966-1956	Rockwell Std. R100 & R140 Axles:	
	Bearing (L.H.)	BR68450/BR68712		Bearing	SET417
	Bearing (R.H.)	BR42346/BR42584		(Set Components)	BR47890/BR47820
1972-1967	GMC H135 Axle:		1966-1955	Eaton 34D3, 34DTA & 38DPA Axles:	
	Bearing	BR28985/BR28921		Bearing (L.H.)	BR497/BR493
1972-1965	Eaton 16221 Axle:			Bearing (R.H.)	BR56425/BR56650
	Bearing (L.H.)	BR42381/BR42584	1966-1955	Eaton 34R3, 34RTA & 38RPA Axles:	
	Bearing (R.H.)	495-A/BR493		Bearing (L.H.)	BR56425/BR56650
1972-1960	Rockwell Std. L362 Axle:			Bearing (R.H.)	BR497/BR493
	Bearing (L.H.)	SET411	1966-1955	Eaton 32M & 34M Axles Frt. Unit:	
	(Set Components)	BR47686/BR47620		Bearing (L.H.)	BR33281/BR33472
	Bearing (R.H.)	BR495/BR493		Bearing (R.H.)	SET425
1972-1957	Rockwell Std. H362 & L361 Axles:			(Set Components)	BR567/BR563
	Bearing	BR42688/BR42620	1966-1955	Eaton 32M & 34M Axles Rr. Unit:	
1972-1957	Rockwell Std. L162 & QT140 Axles:			Bearing (L.H.)	SET425
	Bearing	BR495/BR493		(Set Components)	BR567/BR563
1972-1957	Rockwell Std. H162 & L161 Axles:			Bearing (R.H.)	BR33281/BR33472
	Bearing (L.H.)	BR42688/BR42620	1966-1955	Rockwell Std. SQDD Axle:	
	Bearing (R.H.)	BR34301/BR34500		Bearing	BR581/BR572
1972-1956	Rockwell Std. E350, G361 & H340 Axles:		1966-1955	Rockwell Std. Q380, Q390, R390 & U200 Axles:	
	Bearing	BR33281/BR33462		Bearing	SET422
1972-1947	Rockwell Std. G161, H100, H140 & H300 Axles:			(Set Components)	HM516449-C/HM516410
	Bearing	BR33281/BR33472	1966-1952	Eaton 19501, 19502, 19503, 19515 & 20500 Axles:	
1967-1965	Eaton 16121 Axle 1st Design:			Bearing (L.H.)	BR68450/BR68712
	Bearing (L.H.)	BR42381/BR42584		Bearing (R.H.)	BR42346/BR42584
	Bearing (R.H.)	495-A/BR493	1966-1950	Eaton 17500, 17501, 17600, 17601, 17700, 17701, 17800, 17801, 18500, 18501, 18502, 18503, 18600, 18601, 18700, 18701, 18802 & 18803 Axles:	
1967-1947	Eaton 1618, 1619, 16500, 16600, 16601, 16802, 16803 & 6803 Axles:			Bearing (L.H.)	BR56425/BR56650
	Bearing (L.H.)	BR42381/BR42584		Bearing (R.H.)	BR497/BR493
	Bearing (R.H.)	495-A/BR493	1965-1956	Rockwell Std. SFDD & SFDD4600 Axles:	
1966-1960	Rockwell Std. SLHD, SLHR & SQHD Axles w/3.375" Brg. I.D.:			Bearing	BR683/BR672
	Bearing (L.H.)	BR497/BR493	1965-1955	Rockwell Std. SW456 Axle:	
	Bearing (R.H.)	BR496/BR493		Bearing	HM617049/HM617010
1966-1960	GMC H130 Axle:				(Continued)
	Bearing	KA11820-Z			
1966-1960	GMC T150 Axle:				
	Bearing (R.H.)	KR12051-Z			

**Chevrolet/GMC Truck Tiltmaster/Transmode, Topkick/Kodiak, 1 1/2 ton, 2 ton, 2 1/2 ton, W series, 40 series/4500 series, 50 series/5500 series, 60 series/6500 series, 70 series/7500 series -- (Cont.)**

MFG./YEAR	MODEL & LOCATION	PART NO.	MFG./YEAR	MODEL & LOCATION	PART NO.
<b>Differential (Cont.)</b>			<b>Clutch (Cont.)</b>		
<b>Rear Axle (Cont.)</b>			<b>Pilot (Cont.)</b>		
1965-1952	Rockwell Std. SLDD Axle:		1990-1989	350 Eng. w/12" Clutch:	
	Bearing .....	BR496/BR493		Bearing (Bushing) .....	B657
1965-1950	Eaton 22M & 28M Axles:		1990-1989	350 Eng. w/13" Clutch:	
	Bearing .....	BR3984/BR3925		Bearing .....	6005-2RSJ
1965-1950	Eaton 1792, 1793, 1795, 1796, 1890, 1891, 1892, 1893, 1895 & 1896 Axles:		1990-1989	3208T, 8.2N & 8.2T Eng. w/1.75" Pilot Sh.:	
	Bearing (R.H.) .....	567-A/BR563		Bearing .....	6206-2RSJ
1959-1955	GMC H150 Axle:		1990-1989	8.2N & 8.2T Eng. w/1.50" Pilot Sh.:	
	Bearing .....	KD12051-Z		Bearing .....	6305-2RSJ
	(Set Components) .....	395-CS/394-CS	1990-1988	366 Eng. w/1.50" Pilot Sh.:	
1959-1955	GMC T150 Axle:			Bearing .....	6205-2RS2
	Bearing (R.H.) .....	KD12051-Z	1990-1988	3208T Eng. w/1.50" Pilot Sh. & 5 Spd. Fuller FS4005B Trans.:	
	(Set Components) .....	395-CS/394-CS		Bearing .....	6305-2RSJ
1959-1955	Rockwell Std. QT340 Axle:		1988-1986	350 Diesel Eng.:	
	Bearing (L.H.) .....	BR496/BR493		Bearing .....	6204-J
	Bearing (R.H.) .....	SET411	1988-1983	3208N, 3208T, 8.2N & 8.2T Eng. w/1.75" Pilot Sh.:	
	(Set Components) .....	BR47686/BR47620		Bearing .....	6206-2RSJ
1959-1952	Rockwell Std. R200 Axle:		1988-1981	3208N, 8.2N-230 H.P., John Deere 5.9L & VT225 Eng. w/1.50" Pilot Sh.:	
	Bearing .....	SET411		Bearing .....	6305-2RSJ
	(Set Components) .....	BR47686/BR47620	1988-1973	BF6L913, 4-53T, 8.2N & 8.2T (Exc. 230 H.P.) Eng. w/1.50" Pilot Sh.:	
1959-1950	Rockwell Std. E301 & E350 Axles:			Bearing .....	6205-2RSJ
	Bearing .....	BR3994/BR3920	1988-1967	250, 283, 292, 307 & 350 Gas Eng. w/1.125" Pilot Sh.:	
1959-1947	Eaton 1780, 1790 & 1791 Axles w/Conical Carrier:			Bearing (Bushing) .....	B657
	Bearing (L.H.) .....	567-A/BR563	1988-1956	V8 Eng. w/1.50" Pilot Sh.:	
1957	Rockwell Std. SFHD Axle:			Bearing .....	6205-2RSJ
	Bearing .....	BR3994/BR3920	1987-1986	W4:	
1957-1956	Rockwell Std. L351 & L371 Axles:			Bearing .....	6203-2RSJ
	Bearing .....	SET426	1987-1984	W6, W7H, W7M & W7T:	
	(Set Components) .....	BR47679/BR47620		Bearing .....	6205-2RSJ
1956-1955	Eaton 22501 Axle:		1978-1973	432 & 3200 Eng.:	
	Bearing (L.H.) .....	BR48393/BR48320		Bearing .....	6305-ZJ
	Bearing (R.H.) .....	BR52400/BR52618	1978-1955	V6 Eng.:	
1954-1952	Rockwell Std. SD3010, SD3020 & SFDD3020 Axles:			Bearing (.591" Shaft) .....	BR7109
	Bearing .....	BR581/BR572		Bearing (.984" Shaft) .....	6305-ZJ
1951-1950	Eaton 1715 & 1716 Axles:		1972-1966	70 Series w/478M Eng.:	
	Bearing (L.H.) .....	495-S/BR493		Bearing .....	6206-ZJ
	Bearing (R.H.) .....	BR33269/BR33472	1969-1962	Diesel Eng. w/o V6:	
1950-1947	Eaton 2627 Axle:			Bearing .....	6205-2RSJ
	Bearing .....	214-J	1966-1963	6 Cyl. Gas Eng. w/o V6:	
1950-1947	Eaton 17000 Axle:			Bearing (Bushing) .....	B657
	Bearing (L.H.) .....	BR52400/BR52618	1965-1960	60 Series w/4-71 & 6V-71 Eng. w/Spicer Trans.:	
	Bearing (R.H.) .....	BR495/BR493		Bearing .....	6205-2RSJ
<b>Clutch</b>			1962-1955	w/o 322, 348, 409, V6 Gas & Diesel Eng.:	
<b>Control Shaft</b>				Bearing (Bushing) .....	B657
1978-1975	60 Series w/Cat. 3208 Eng.:			Bearing .....	6205-2RSJ
	Seal .....	9815	1959-1950	60 Series w/426, 4-71, 503 & 6V-71 Eng.:	
	(Speedi-Sleeve) .....	99100		Bearing .....	6204-ZJ
	(Speedi-Sleeve/Seal Kit) .....	480097	1955-1950	318 & 360 Eng.:	
<b>Pilot</b>				Bearing .....	BR8503
1993-1990	6.6L Turbo Diesel Eng.:		1954-1947	400 Thru 470 Series w/o Diesel Eng.:	
	Bearing .....	6305-2RSJ		Bearing .....	BR7109
1993-1990	427 (7.0L) Eng. w/1.5" Pilot Sh.:		1954-1947	450 & 470 Series w/Diesel Eng.:	
	Bearing .....	6205-2RS2		Bearing .....	6204-ZJ
1993-1988	366 (6.0L) Eng. w/1.5" Pilot Sh.:			(Continued)	
	Bearing .....	6205-2RS2			

## Passenger cars, light & medium trucks

(Cont.) -- Chevrolet/GMC Truck Tiltmaster/Transmode, Topkick/Kodiak, 1 1/2 ton, 2 ton, 2 1/2 ton, W series, 40 series/4500 series, 50 series/5500 series, 60 series/6500 series, 70 series/7500 series

MFG./YEAR	MODEL & LOCATION	PART NO.	MFG./YEAR	MODEL & LOCATION	PART NO.
<b>Clutch (Cont.)</b>			<b>Clutch (Cont.)</b>		
<b>Release</b>			<b>Release (Cont.)</b>		
1993-1991	427 (7.0L) Eng. w/1.50" Pilot Sh., Fuller RT6610 & RT6613 Trans.:		1988-1963	250, 292, 327 & 350 Engs. w/1.125" Pilot Sh.:	
	Bearing Assembly .....	N1059		Bearing Assembly .....	▲ N1488
1993-1990	366 (6.0L) Eng. w/1.50" Pilot Sh. & 12" Clutch:			(Heavy Duty) .....	N4068
	Bearing Assembly .....	N4057	1987-1984	W6, W7H, W7M & W7T:	
1993-1990	6.6L Turbo-Diesel Eng. w/Fuller FS4005A, FS4005B, FS4005C, FS5005A, FS5005C & FS5106 Trans.:			Bearing Assembly .....	N3077
	Bearing Assembly .....	N4057	1987-1983	60 & 70 Series w/6 Spd. FS6106A, 10 Spd. Fuller RT6610, 13 Spd. RT6613 Trans. & 14" Dual Disc Clutch:	
1990-1989	427, 8.2N & 8.2T Engs. w/1.50" Pilot Sh. & Fuller 5 Spd. Trans.; 3208T Eng. w/1.50" Pilot Sh. & FS4005B Trans.:			Bearing Only .....	N1509
	Bearing Assembly .....	N4039	1982-1968	327, 350, 366 & 4-53 Engs. w/13" Clutch & 1.50" Pilot Sh.:	
1990-1989	350 Eng. w/1.125" Pilot Sh. & 12" Clutch:			Bearing Only .....	N906
	Bearing Assembly .....	▲ N1488		Bearing Assembly .....	N1456
	(Heavy Duty) .....	N4068	1978-1975	60 Series w/427 Eng. & 13 Spd. Fuller RT613 Trans.:	
1990-1989	3208T Eng. w/1.75" Pilot Sh.:			Bearing Only .....	N4078
	Bearing Assembly .....	MUS1307-UM	1978-1973	65 Series w/427 Eng., 5 Spd. Clark Trans. & 12" Clutch:	
1990-1989	8.2N & 8.2T Engs. w/1.75" Pilot Sh. & 14" Dual Disc Clutch:			Bearing Assembly .....	N4079
	Bearing Only .....	N1509	1978-1973	432, 3208 & 4-53T Engs.:	
1990-1989	350 & 366 Engs. w/1.50" Pilot Sh. & 13" Clutch:			Bearing Only .....	N1610
	Bearing Assembly .....	N2456		Bearing Assembly .....	N4039
1990-1989	427, 8.2N & 8.2T Engs. w/1.50" Pilot Sh., Fuller 10 Spd. RT6610 & 13 Spd. RT6613 Trans.:		1978-1973	60 Series w/379 Eng.:	
	Bearing Assembly .....	N1059		Bearing Only .....	N1610
1990-1988	8.2N & 8.2T Engs. w/1.50" Pilot Sh. & 4054D Trans.:		1978-1967	427 Eng. w/12" Clutch & 5 Spd. Spicer Trans.:	
	Bearing Assembly .....	N2456		Bearing Only .....	N1171
1990-1985	8.2N & 8.2T Engs. w/1.75" Pilot Sh., 5 Spd. Spicer 6052 & 6 Spd. Fuller FS6106A Trans.:		1978-1965	D351, D478 & DH478 Engs. w/12" & 13" Clutches:	
	Bearing Only .....	N1509		Bearing Only .....	N1610
1990-1974	427 Eng. w/Spicer Trans.:			Bearing Assembly .....	◇ N1467
	Bearing Only .....	N1171		(Superseded by:) .....	N1610
1988-1987	366 Eng. w/CL455 & 4045D Trans.:		1978-1960	305 C, 305 E & 351 C Engs. w/12" Clutch:	
	Bearing Assembly .....	N2456		Bearing Only .....	N1610
1988-1987	John Deere 5.9L Eng.:			Bearing Assembly .....	◇ N1467
	Bearing Only .....	N1610		(Superseded by:) .....	N1610
	Bearing Assembly .....	N4039	1972-1970	75 Series w/478M Eng. & 14" Dual Disc Clutch	
1988-1987	8.2N & 8.2T Engs. w/FS6106A Trans.:			Bearing Only .....	N1509
	Bearing Assembly .....	N4077	1972-1967	40 Series w/305 E, D351 Engs. & 11" Clutch:	
1988-1986	60 & 70 Series w/5 Spd. Clark 551, Spicer 5852 & CM5552 Trans.:			Bearing Assembly .....	▲ N1488
	Bearing Only .....	N1610		(Heavy Duty) .....	N4068
1988-1983	3208N & 3208T Engs. w/1.75" Pilot Sh. & 14" Single Disc Clutch:		1972-1967	75 Series w/DH478 Eng., 12" & 13" Clutches:	
	Bearing Only .....	N1509		Bearing Only .....	N1610
1988-1979	427, 4-53T, 454, 3208N, 8.2N, 8.2T, BF6L913 & VT225 Engs. w/14" Single Disc Clutch & 1.50" Pilot Sh.		1972-1967	75 Series w/401M, DH478 Engs. & 13" Dual Disc Clutch:	
	Bearing Only .....	N1610		Bearing Only .....	N1610
	Bearing Assembly .....	N4039		Bearing Assembly .....	N1711
1988-1973	366, 427, 432, 3208N, 8.2N & 8.2T Engs. w/10 Spd., 13 Spd. Trans. & 1.50" Pilot Sh.:		1972-1967	305 C & 351 C Engs. w/13" Clutch; 351 M Eng. w/12" & 13" Clutches:	
	Bearing Only .....	N1059		Bearing Only .....	N1610
			1972-1963	230 & 250 Engs.:	
				Bearing Only .....	N1085
				Bearing Assembly .....	N1086-SA
			1970-1967	P40 Exc. 230 & 250 Engs.:	
				Bearing Assembly .....	▲ N1488
				(Heavy Duty) .....	N4068
					(Continued)

**Chevrolet/GMC Truck Tiltmaster/Transmode, Topkick/Kodiak, 1 1/2 ton, 2 ton, 2 1/2 ton, W series, 40 series/4500 series, 50 series/5500 series, 60 series/6500 series, 70 series/7500 series -- (Cont.)**

MFG./YEAR	MODEL & LOCATION	PART NO.	MFG./YEAR	MODEL & LOCATION	PART NO.
<b>Clutch (Cont.)</b>			<b>Clutch (Cont.)</b>		
<b>Release (Cont.)</b>			<b>Release (Cont.)</b>		
1970-1967	P40 w/230 & 250 Engs.:		1956-1955	55, 60 & 65 Series w/324 Eng.:	
	Bearing Only .....	N1085		Bearing Only .....	N1167
	Bearing Assembly .....	N1086-SA	1955-1952	60 Series w/360 Eng.:	
1969-1968	60 Series w/10 Spd. Fuller Trans.:			Bearing Only .....	N1167
	Bearing Only .....	N4078	1955-1938	1st Design:	
1969-1967	75 Series w/351M, 401M Engs. & 13" Single Disc Clutch:			Bearing Only .....	N1085
	Bearing Only .....	N1610		Bearing Assembly .....	N1086-SA
1969-1967	75 Series w/478M Eng. & 14" Clutch w/o 5 Spd. Clark 305V Trans.:		1954-1951	450 & 470 Series w/Diesel Eng.:	
	Bearing Only .....	N1610		Bearing Only .....	N1167
1968-1962	40 Series Tilt w/283 Eng.:		1954-1950	620, 630, 660 & 670 Series w/426, 4-71 & 503 Engs.:	
	Bearing Only .....	N1085		Bearing Only .....	N1167
	Bearing Assembly .....	N1086-SA	1954-1947	400, 450 & 470 Series w/Gas Eng.:	
1967-1958	327, 348, 3-53, 366, 409, 4-53 & 6V-53 Engs.:			Bearing Assembly .....	N1741-SA
	Bearing Only .....	N906	1951-1950	640 & 650 Series w/426, 4-71 & 503 Engs.:	
	Bearing Assembly .....	N1456		Bearing Only .....	N906
1966-1965	50 Series w/3-53 Eng. w/o 5 Spd. Trans.:		<b>Transfer Case</b>		
	Bearing Assembly .....	▲ N1488	<b>Front Output Shaft</b>		
	(Heavy Duty) .....	N4068	1986-1983	Rockwell Std. T226:	
1966-1964	50 Thru 65 Series w/o 5 Spd. Clark 305V Trans.:			Seal .....	29322
	Bearing Only .....	N1171		(Speedi-Sleeve) .....	99293
1966-1963	40 & 50 Series w/351 Eng.:			(Speedi-Sleeve/Seal Kit) .....	480294
	Bearing Only .....	N906		Bearing .....	[2] 387-AS/382-A
	Bearing Assembly .....	N1456	1985-1983	Rockwell Std. T223H:	
1966-1962	65 Series w/5 Spd. Clark 401, 407 & 408 Trans.:			Seal (Front) .....	21108
	Bearing Only .....	N1611		(Speedi-Sleeve) (Front) .....	99212
1966-1962	50 & 60 Series w/13" Clutch & 5 Spd. Clark 305V Trans.:			Seal (Rear) .....	26190
	Bearing Only .....	N1611		(Speedi-Sleeve) (Rear) .....	99262
1966-1962	50 & 60 Series w/14" Clutch w/o 5 Spd. Clark 305V Trans.:			Bearing (Front) .....	■ 6208-NRJ
	Bearing Only .....	N1611		Bearing (Rear) .....	6211-NRJ
1965-1962	65 Series w/10 Spd. Fuller R63 Trans.:		1966-1964	Model 22 & 42:	
	Bearing Only .....	N1114		Seal .....	23695
1962-1956	261 Eng. 2nd Design:			(Speedi-Sleeve) .....	99237
	Bearing Assembly .....	▲ N1488		Bearing .....	6309-NRJ
	(Heavy Duty) .....	N4068	<b>Idler Shaft</b>		
1962-1955	235 Eng.:		1986-1983	Rockwell Std. T226:	
	Bearing Only .....	N1085		Bearing (Front) .....	BR3767/BR3732
	Bearing Assembly .....	N1086-SA		Bearing (Rear) .....	BR59201/BR59412
1961-1955	261 Eng. 1st Design:		1985-1983	Rockwell Std. T223H:	
	Bearing Only .....	N1085		Bearing (Front) .....	HM89449/HM89411
	Bearing Assembly .....	N1086-SA		Bearing (Rear) .....	BR31597/BR31521
1961-1955	8 Cyl. Eng. 2nd Design Exc. 322, 348, 409 & Diesel Engs.:		<b>Input Shaft</b>		
	Bearing Assembly .....	▲ N1488	1986-1983	Rockwell Std. T226:	
	(Heavy Duty) .....	N4068		Seal .....	29322
1959-1957	55 & 60 Series w/370 Eng.:			(Speedi-Sleeve) .....	99293
	Bearing Only .....	N1610		(Speedi-Sleeve/Seal Kit) .....	480294
1959-1955	40 & 50 Series w/6 Cyl. Eng., 10" & 11" Clutches w/6.375" Long Clutch Link:			Bearing (Front) .....	BR59201/BR59412
	Bearing Assembly .....	N1741-SA		Bearing (Rear) .....	BR3782/BR3732
1959-1955	40 & 50 Series w/6 Cyl. Eng.:			Bearing (Gear) .....	[2] 209-J
	Bearing Only .....	N1166	1985-1983	Rockwell Std. T223H:	
	Bearing Assembly .....	N1402		Seal .....	22340
				(Speedi-Sleeve) .....	99225
				Bearing (Rear) .....	BR339/BR332

# Passenger cars, light & medium trucks

(Cont.) -- Chevrolet/GMC Truck Tiltmaster/Transmode, Topkick/Kodiak, 1 1/2 ton, 2 ton, 2 1/2 ton, W series, 40 series/4500 series, 50 series/5500 series, 60 series/6500 series, 70 series/7500 series

MFG./YEAR	MODEL & LOCATION	PART NO.	MFG./YEAR	MODEL & LOCATION	PART NO.
<b>Transfer Case (Cont.)</b>			<b>Transmission-Automatic (Cont.)</b>		
<b>Input Shaft (Cont.)</b>			<b>Rear</b>		
1966-1964 Model 22 & 42:			1994-1983 MT643 & MT653 Trans. w/Retarder:		
Seal		23685	Seal		23706
(Speedi-Sleeve)		99237	(Speedi-Sleeve)		99237
Bearing (Rear)		359-S/354-A	Seal (Output Shaft)		37524
Bearing (Gear)		BR482/BR472	(Speedi-Sleeve) (Output Shaft)		99372
<b>Rear Output Shaft</b>			1994-1983 AT545 Trans.:		
1986-1983 Rockwell Std. T226:			Seal		
Seal		29322	(Speedi-Sleeve)		25661
(Speedi-Sleeve)		99293			99256
(Speedi-Sleeve/Seal Kit)		480294	Bearing		6009-J
Bearing (Front)		BR33225/BR33472	1987-1978 MT640, MT643, MT650 & MT653 Trans. w/o Retarder:		
Bearing (Rear)		BR59201/BR59412	Seal (2.563" Shaft)		25661
Bearing (Declutch)	[2]	385-A/382-A	(Speedi-Sleeve) (2.563" Shaft)		99256
1985-1983 Rockwell Std. T223H:			Seal (3.500" Shaft)		35040
Seal		22340	(Speedi-Sleeve) (3.500" Shaft)		99350
(Speedi-Sleeve)		99225	1978-1967 AT475 Trans:		
Bearing (Front)		BR25878/BR25821	Seal		21111
Bearing (Rear)		BR25584/BR25520	(Speedi-Sleeve)		99212
1966-1964 Model 22:			Bearing		6210-J
Seal		22448	1972-1967 AT540 Trans.:		
(Speedi-Sleeve)		99225	Seal		25661
Bearing (Rear)		BR3975/BR3920	(Speedi-Sleeve)		99256
1966-1964 Model 42:			Bearing		6209-J
Seal		22448	1972-1967 MT30, MT40 & MT41 Trans.:		
(Speedi-Sleeve)		99225	Seal (2.563" Shaft)		25661
Bearing (Front Outer)		BR3984/BR3920	(Speedi-Sleeve) (2.563" Shaft)		99256
Bearing (Rear)		6309-J	Seal (2.875" Shaft)		28841
<b>Shift Shaft</b>			(Speedi-Sleeve) (2.875" Shaft)		99287
1986-1983 Rockwell Std. T226 w/Declutch:			Bearing		6011-J
Seal		7414	1972-1967 MT42 Trans.:		
(Speedi-Sleeve)		99076	Seal		28841
1986-1983 Rockwell Std. T226 w/o Declutch:			(Speedi-Sleeve)		99287
Seal		8627	Bearing		5212-E
(Speedi-Sleeve)		99087	1965-1951 40 Series w/AT210, AT330 & AT350 Trans.:		
1985-1983 Rockwell Std. T223H w/Declutch:			Seal		16871
Seal		7443	(Speedi-Sleeve)		99168
(Speedi-Sleeve)		99076	Bearing		6007-J
<b>Transmission-Automatic</b>			1959-1958 MT30 & MT40 Trans.:		
<b>Front Pump</b>			Seal		25661
1994-1983 MT643 & MT653 Trans.:			(Speedi-Sleeve)		99256
Seal (2.250" Shaft)		22484	Bearing		6011-J
(Speedi-Sleeve) (2.250" Shaft)		99225	<b>Shift Shaft</b>		
Seal (3.250" Shaft)		32332	1994-1967 All:		
(Speedi-Sleeve) (3.250" Shaft)		99325	Seal		4912
1994-1967 AT475, AT540 & AT545 Trans.:			(Speedi-Sleeve)		99050
Seal		18692	(Speedi-Sleeve/Seal Kit)		480050
(Speedi-Sleeve)		99187	<b>Transmission-Manual</b>		
(Speedi-Sleeve/Seal Kit)		480187	<b>Countershaft</b>		
1972-1958 MT30 & MT40 Trans.:			1994-1990 6 Spd. Fuller FS6206 & FS7206 Trans.:		
Seal		23703	Bearing (Front)		BR25590/BR25522
(Speedi-Sleeve)		99237	Bearing (Rear)		SET406
1962-1951 40 Series w/AT210 & AT330 Trans.:			(Set Components)		BR3782/BR3720
Seal		25950	1994-1990 13 Spd. Fuller RT6613 Trans.:		
1956-1955 AT425 Trans.:			Bearing (Front)	[2]	MU1207-GUV
Seal		28745	Bearing (Rear)	[2]	MU1306-GUV
(Speedi-Sleeve)		99287			(Continued)

**Chevrolet/GMC Truck Tiltmaster/Transmode, Topkick/Kodiak, 1 1/2 ton, 2 ton, 2 1/2 ton, W series, 40 series/4500 series, 50 series/5500 series, 60 series/6500 series, 70 series/7500 series -- (Cont.)**

MFG./YEAR	MODEL & LOCATION	PART NO.	MFG./YEAR	MODEL & LOCATION	PART NO.
<b>Transmission-Manual (Cont.) Countershaft (Cont.)</b>			<b>Transmission-Manual (Cont.) Countershaft (Cont.)</b>		
1994-1988	Fuller FS5106 & FS6105 Trans.:		1982-1979	13 Spd. Fuller RT613 Trans.:	
	Bearing (Front) .....	BR25590/BR25522		Bearing (Front) Main .....	[2] 207-NRJ
	Bearing (Rear) .....	SET406		Bearing (Front) Aux. ....	[2] MU1306-GUV
	(Set Components) .....	BR3782/BR3720		Bearing (Rear) Main .....	[2] ■ 306-NJ
1994-1988	10 Spd. Fuller RT6610 & RT06610 Trans.:			Bearing (Rear) Aux. ....	[2] 310-NRJ
	Bearing (Front) .....	[2] MU1207-GUV	1981-1952	3 Spd. Spicer 5831, 6231, 7231 & 4 Spd. Spicer 6041 Aux. Trans.:	
	Bearing (Rear) .....	[2] MU1306-GUV		Bearing .....	[2] BR3479/BR3420
1994-1984	5 Spd. Clark 450, 457 & Fuller FS4005 Trans.:		1978-1973	13 Spd. Fuller RT613 Trans.:	
	Bearing (Front) .....	BR25877/BR25821		Bearing (Front) Aux. ....	[2] MU1306-UM
	Bearing (Rear) .....	BR2689/BR2631		Bearing (Rear) Main .....	[2] ■ 306-NJ
1993-1985	6 Spd. Fuller FS6106A Trans.:			Bearing (Rear) Aux. ....	[2] 310-NRJ
	Bearing (Rear) .....	MU1309-TV	1978-1973	5 Spd. New Process 7550 & 7590 Trans.:	
1987-1984	5 Spd. Spicer CM4054 Trans.:			Bearing (Front) .....	M28161
	Bearing (Front) .....	6211-NRJ	1978-1967	5 Spd. Clark 325 Trans.:	
	Bearing (Rear) .....	BR50		Bearing (Front) .....	M32161
	(Set Components) .....	LM102949/LM102910		Bearing (Rear) .....	310-ZNRJ
1987-1984	W4:		1978-1963	4 Spd. New Process 435 Trans.:	
	Bearing (Rear) .....	6307-NRJ		Bearing (Front) .....	M24161-X1
1987-1983	5 Spd. Spicer 6052 Trans.:			Bearing (Rear) .....	B3216
	Bearing (Front) .....	M804049/M804010		Bearing (Thrust) .....	NTA2031
1987-1983	10 Spd. Fuller RT6610 Trans.:		1978-1960	5 Spd. Spicer 5652 & 5756 Trans.:	
	Bearing (Front) Main .....	[2] MU1207-GUV		Bearing (Front) .....	M1208-UV
	Bearing (Front) Aux. ....	[2] MR1206RUGV		Bearing (Rear) .....	308-ZNRJ
	Bearing (Rear) Main .....	[2] MU1306-GUV	1978-1956	5 Spd. New Process 540 Trans.:	
	Bearing (Rear) Aux. ....	[2] MR1308-TV		Bearing (Front) .....	207-NRJ
1987-1981	13 Spd. Fuller RT6613 Trans.:			Bearing (Rear) .....	B2816
	Bearing (Front) Main .....	[2] MU1207-GUV	1977-1967	4 Spd. GMC SM465 Trans.:	
	Bearing (Front) Aux. ....	[2] MU1306-GUV		Bearing (Front) .....	M1305GGTV1
	Bearing (Rear) Main .....	[2] MU1306-GUV		Bearing (Rear) .....	308-NRJ
	Bearing (Rear) Aux. ....	[2] 310-NRJ	1972-1967	5 Spd. Spicer 3152 Trans.:	
1987-1980	5 Spd. Clark 282VHD & 285VHD Trans.:			Bearing (Front) .....	M1207-TV
	Bearing (Front) .....	M28161		Bearing (Rear) .....	308-ZNRJ
1987-1978	4 Spd. GMC SM465 Trans.:		1972-1967	10 Spd. Fuller RT510 Trans.:	
	Bearing (Front) .....	R1563-TAV		Bearing (Front) Aux. ....	M1305-GUV
	Bearing (Rear) .....	6308-NRJ		Bearing (Rear) Main .....	■ 306-NJ
1987-1973	5 Spd. Clark 390 & 550 Series Trans.:			Bearing (Rear) Aux. ....	MR1209-EX
	Bearing (Front) .....	DD46386	1972-1962	4 Spd. GMC SM420 Trans.:	
	Bearing (Rear) .....	MU1309-GUM		Bearing (Rear) .....	308-NRJ
1987-1973	5 Spd. Spicer 5052, 5252, 5852 & CM5552 Trans.:		1972-1960	5 Spd. Clark 305 & 307 Trans.:	
	Bearing .....	[2] BR25584/BR25520		Bearing (Front) .....	M32161
1987-1962	4 Spd. Spicer 7041 Aux. Trans.:			Bearing (Rear) .....	309-ZNRJ
	Bearing (Front) .....	BR3877/BR3820	1966-1960	5 Spd. Clark 269 Trans.:	
	Bearing (Rear) .....	BR462/453-A		Bearing (Front) .....	M28161
1987-1960	5 Spd. New Process 541 & 542 Trans.:			Bearing (Rear) .....	308-ZNRJ
	Bearing (Front) .....	208-NRJ	1966-1960	5 Spd. Clark 401, 407 & 408 Trans.:	
	Bearing (Rear) .....	[24] Q15902		Bearing (Front) .....	M1208-UV
1985	7 Spd. Fuller T11607A & T11607B Trans.:			Bearing (Rear) .....	309-ZNRJ
	Bearing (Front) Main .....	[2] 309-NRJ	1966-1956	10 Spd. Fuller R96 Trans.:	
	Bearing (Front) Aux. ....	[2] 213-J		Bearing (Front) Main .....	MR1307-TV
	Bearing (Rear) Aux. ....	[2] 309-NRJ		Bearing (Front) Aux. ....	M1308-TV
1984-1983	2 Spd. Fuller 2A92 Aux. Trans.:			Bearing (Rear) Main .....	6311-NRJ
	Bearing (Front) .....	MU1308-TM		Bearing (Rear) Aux. ....	312-NRJ
	Bearing (Rear) .....	312-NRJ	1966-1955	5 Spd. Spicer 6852 & 6853 Trans.:	
1984-1967	5 Spd. Clark 280V, 282V & 285V Trans.:			Bearing (Front) .....	MR1209-EX
	Bearing (Front) .....	M28161		Bearing (Rear) .....	310-ZNRJ
	Bearing (Rear) .....	N6309-NRJ			(Continued)

# Passenger cars, light & medium trucks

(Cont.) -- Chevrolet/GMC Truck Tiltmaster/Transmode, Topkick/Kodiak, 1 1/2 ton, 2 ton, 2 1/2 ton, W series, 40 series/4500 series, 50 series/5500 series, 60 series/6500 series, 70 series/7500 series

MFG./YEAR	MODEL & LOCATION	PART NO.	MFG./YEAR	MODEL & LOCATION	PART NO.
<b>Transmission-Manual (Cont.) Countershaft (Cont.)</b>			<b>Transmission-Manual (Cont.) First Speed Gear (Cont.)</b>		
1966-1952	3 Spd. Spicer 8031 & 4 Spd. Spicer 8341 Aux. Trans.:		1966-1952	3 Spd. Spicer 8031 & 4 Spd. Spicer 8341 Aux. Trans.:	
	Bearing (Front) .....	6311-NRJ		Bearing .....	[144] S444-Q
1965-1962	10 Spd. Fuller R63 Trans.:		<b>Fourth Speed Gear</b>		
	Bearing (Front) Main .....	MR1307-TV	1987-1984	5 Spd. Clark 450 Series Trans.:	
	Bearing (Front) Aux. ....	MU5206UM26		Bearing .....	F94488
	Bearing (Rear) Main .....	6311-NRJ	1987-1983	5 Spd. Clark 390 & 550 Series Trans.:	
	Bearing (Rear) Aux. ....	5308-ENR		Bearing .....	[68] QA48181
1965-1960	4 Spd. Spicer 8245 Trans.:		1955-1947	5 Spd. Clark 202, 204, 205 & 207 Trans.:	
	Bearing (Front) .....	MU1309-TV		Bearing .....	[36] C436-Q
	Bearing (Rear) .....	311-ZNRJ	<b>Front</b>		
1965-1952	8 Spd. Fuller R45 & R46 Trans.:		1994-1990	6 Spd. Fuller FS6206 & FS7206 Trans.:	
	Bearing (Front) Main .....	M1306-TV		Bearing .....	SET408
	Bearing (Front) Aux. ....	M1306-TV		(Set Components) .....	BR39590/BR39520
	Bearing (Rear) Main .....	308-NRJ	1994-1990	9 Spd. Fuller RT6609 Trans.:	
	Bearing (Rear) Aux. ....	5308-ENR		Seal .....	14832
1962-1960	4 Spd. New Process 434 Trans.:			(Speedi-Sleeve) .....	99149
	Bearing (Front) .....	208-NRJ		Bearing .....	6209-ZNBRJ
1962-1960	4 Spd. New Process 433 Trans.:		1994-1990	13 Spd. Fuller RT6613 Trans.:	
	Bearing (Front) .....	207-NRJ		Seal .....	14832
	Bearing (Rear) .....	B2816		(Speedi-Sleeve) .....	99149
1961-1938	4 Spd. GMC SM420 Trans.:			Bearing .....	6209-ZNBRJ
	Bearing (Front) .....	M1206-UV	1994-1988	Fuller FS5005 Trans.:	
	Bearing (Rear) .....	308-NRJ		Bearing (1.625" Bore) .....	M802048/M802011
1959-1957	5 Spd. New Process 541 Trans.:			Bearing (1.875" Bore) .....	M804049/M804010
	Bearing (Front) .....	208-NRJ	1994-1988	10 Spd. Fuller RT6610 & RT06610 Trans.:	
1955-1952	10 Spd. Fuller R95 & R950 Trans.:			Seal .....	14832
	Bearing (Front) Main .....	MR1307-TV		(Speedi-Sleeve) .....	99149
	Bearing (Front) Aux. ....	M1308-TV		Bearing .....	6209-ZNBRJ
	Bearing (Rear) Aux. ....	312-NRJ	1994-1984	5 Spd. Clark 450, 457 & Fuller FS4005 Trans.:	
1955-1950	5 Spd. Spicer 4452, 4453, 4952 & 4953 Trans.:			Seal (1.625" Shaft) .....	16247
	Bearing (Front) .....	M1208-UV		(Speedi-Sleeve) (1.625" Shaft) .....	99162
	Bearing (Rear) .....	6308-ZNRJ		Seal (1.875" Shaft) .....	18565
1955-1950	5 Spd. Spicer 5552, 5553 & 5753 Trans.:			(Speedi-Sleeve) (1.875" Shaft) .....	99187
	Bearing (Front) .....	M1209-TV		Bearing .....	M802048/M802011
	Bearing (Rear) .....	6310-NRJ	1987-1986	W4:	
1955-1947	5 Spd. Clark 204, 205, 207, 265 & 267 Trans.:			Seal .....	10661
	Bearing (Front) .....	M1207-TV		(Speedi-Sleeve) .....	99106
	Bearing (Rear) .....	308-ZNRJ	1987-1986	W7H & W7T:	
1954-1950	3 Spd. Spicer 5531 Aux. Trans.:			Seal .....	15829
	Bearing .....	[2] BR3490/BR3420	1987-1986	7 Spd. Fuller T8607A Trans.:	
1954-1947	5 Spd. Clark 202 Trans.:			Seal .....	14940
	Bearing (Front) .....	M1207-TV		(Speedi-Sleeve) .....	99149
	Bearing (Rear) .....	307-NRJ		Bearing .....	6212-ZNBRJ
<b>First Speed Gear</b>			1987-1985	6 Spd. Fuller FS6106A Trans.:	
1987-1984	5 Spd. Clark 450 Series Trans.:			Seal .....	17234
	Bearing .....	F94490	1987-1984	5 Spd. Spicer CM4054 Trans.:	
1987-1984	5 Spd. Spicer CM4054 Trans.:			Seal .....	15506
	Bearing .....	F93290		(Speedi-Sleeve) .....	99156
1987-1983	5 Spd. Spicer 6052 Trans.:			Bearing .....	211-J
	Bearing .....	F56619	1987-1984	W6 & W7 w/5 Spd. Trans.:	
1987-1979	4 Spd. Spicer 7041 Aux. Trans.:			Seal .....	15819
	Bearing .....	F54540		(Speedi-Sleeve) .....	99157
1987-1973	5 Spd. Clark 390 & 550 Series Trans.:		1987-1984	W7M w/5 Spd. Trans.:	
	Bearing .....	[88] QA48181		Seal .....	15819
1987-1973	5 Spd. Spicer 5052, 5252, 5852 & CM5552 Trans.:			(Speedi-Sleeve) .....	99157
	Bearing .....	F81205			(Continued)

**Chevrolet/GMC Truck Tiltmaster/Transmode, Topkick/Kodiak, 1 1/2 ton, 2 ton, 2 1/2 ton, W series, 40 series/4500 series, 50 series/5500 series, 60 series/6500 series, 70 series/7500 series -- (Cont.)**

MFG./YEAR	MODEL & LOCATION	PART NO.	MFG./YEAR	MODEL & LOCATION	PART NO.
<b>Transmission-Manual (Cont.)</b>			<b>Transmission-Manual (Cont.)</b>		
<b>Front (Cont.)</b>			<b>Front (Cont.)</b>		
1987-1983	5 Spd. Spicer 6052 Trans.:		1981-1957	4 Spd. Spicer 6041 Aux. Trans.:	
	Seal	17810		Seal	27284
	(Speedi-Sleeve)	99179		(Speedi-Sleeve)	99274
	Bearing	JM511946/JM511910		Bearing	[2] BR28580/BR28521
1987-1983	10 Spd. Fuller RT6610 Trans.:		1978-1976	5 Spd. New Process 540 Trans. 2nd Design:	
	Seal	14832		Seal	12363
	(Speedi-Sleeve)	99149		(Speedi-Sleeve)	99125
	Bearing (Main Trans.)	6209-ZNBRJ		Bearing	209-ZNRJ
	Bearing (Aux. Trans.)	6017-NRJ	1978-1973	5 Spd. New Process 7550 & 7590 Trans.:	
1987-1973	13 Spd. Fuller RT613 & RT6613 Trans.:			Seal	16054
	Seal	14832		(Speedi-Sleeve)	99162
	(Speedi-Sleeve)	99149		Bearing	213-ZNRJ
	Bearing (Main Trans.)	6209-ZNBRJ	1978-1973	5 Spd. Clark 280V, 282V & 285V Trans.:	
	Bearing (Aux. Trans.)	6017-NRJ		Seal (1.250" Shaft)	12340
1987-1973	4 Spd. Spicer 7041 Aux. Trans.:			(Speedi-Sleeve) (1.250" Shaft)	99125
	Seal	27370		Seal (1.750" Shaft)	17387
	(Speedi-Sleeve)	99274		(Speedi-Sleeve) (1.750" Shaft)	99174
	Bearing (Inner)	MSN1312-EX		Bearing	N6309-NRJ
	Bearing (Outer)	6210-J	1978-1967	5 Spd. Clark 325 Trans.:	
1987-1973	5 Spd. Spicer 5052, 5252, 5852 & CM5552 Trans.:			Seal	17387
	Seal	17810		(Speedi-Sleeve)	99174
	(Speedi-Sleeve)	99179		Bearing	6213-ZNRJ
	Bearing	JM511946/JM511910	1978-1963	4 Spd. New Process 435 Trans. w/Ball Brg.:	
1987-1973	5 Spd. Clark 390 & 550 Series Trans. w/1.625" Sh.:			Seal (1.250" Shaft)	12363
	Seal	16247		(Speedi-Sleeve) (1.250" Shaft)	99125
	(Speedi-Sleeve)	99162		Seal (1.563" Shaft)	15540
	Bearing	M802048/M802011		(Speedi-Sleeve) (1.563" Shaft)	99156
1987-1973	5 Spd. Clark 390 & 550 Series Trans. w/1.875" Sh.:			Bearing	308-NRJ
	Seal	18565	1978-1960	5 Spd. Spicer 5652, 5752 & 5756 Trans.:	
	(Speedi-Sleeve)	99187		Seal	16054
	Bearing	M804049/M804010		(Speedi-Sleeve)	99162
1987-1973	5 Spd. Clark 282VHD & 285VHD Trans.:			Bearing	213-ZNRJ
	Seal	16247	1976-1967	5 Spd. New Process 540 Trans. 1st Design:	
	(Speedi-Sleeve)	99162		Seal	12363
	Bearing	M802048/M802011		(Speedi-Sleeve)	99125
1987-1973	4 Spd. GMC SM465 Trans.:			Bearing	211-ZNRJ
	Seal	16054	1972-1967	4 Spd. GMC SM465 Trans.:	
	(Speedi-Sleeve)	99162		Seal (1.563" Shaft)	15540
	Bearing	N211-NRJ		(Speedi-Sleeve) (1.563" Shaft)	99156
1987-1967	5 Spd. New Process 542 Trans.:			Seal (1.625" Shaft)	16054
	Seal	16054		(Speedi-Sleeve) (1.625" Shaft)	99162
	(Speedi-Sleeve)	99162		Bearing	N211-NRJ
	Bearing	211-ZNRJ	1972-1967	5 Spd. Clark 280V, 282V & 285V Trans.:	
1985	7 Spd. Fuller T11607A & T11607B Trans.:			Seal (1.250" Shaft)	12363
	Seal	19407		(Speedi-Sleeve) (1.250" Shaft)	99125
	(Speedi-Sleeve)	99193		Seal (1.750" Shaft)	17387
	Bearing	6212-ZNBRJ		(Speedi-Sleeve) (1.750" Shaft)	99174
1984-1983	2 Spd. Fuller 2A92 Aux. Trans.:			Bearing	N6309-NRJ
	Seal	34889	1972-1967	5 Spd. Spicer 3152 Trans.:	
	(Speedi-Sleeve)	99350		Seal	15508
	Bearing (Outer)	212-ZNRJ		(Speedi-Sleeve)	99156
1982-1979	5 Spd. Clark 280V, 282V & 285V Trans.:			Bearing	308-ZNRJ
	Seal	17387	1972-1967	10 Spd. Fuller RT510 Trans.:	
	(Speedi-Sleeve)	99174		Seal	14832
	Bearing	N6309-NRJ		(Speedi-Sleeve)	99149
				Bearing (Main Trans.)	6209-ZNBRJ
				Bearing (Aux. Trans.)	210-NRJ

(Continued)



# Passenger cars, light & medium trucks

(Cont.) -- Chevrolet/GMC Truck Tiltmaster/Transmode, Topkick/Kodiak, 1 1/2 ton, 2 ton, 2 1/2 ton, W series, 40 series/4500 series, 50 series/5500 series, 60 series/6500 series, 70 series/7500 series

MFG./YEAR	MODEL & LOCATION	PART NO.	MFG./YEAR	MODEL & LOCATION	PART NO.
<b>Transmission-Manual (Cont.)</b>			<b>Transmission-Manual (Cont.)</b>		
<b>Front (Cont.)</b>			<b>Front (Cont.)</b>		
1972-1963	4 Spd. GMC SM420 Trans.:		1956-1952	3 Spd. Spicer 6231 Aux. Trans.:	
	Seal (1.250" Shaft) .....	12363		Seal .....	27284
	(Speedi-Sleeve) (1.250" Shaft) .....	99125		(Speedi-Sleeve) .....	99274
	Seal (1.625" Shaft) .....	16054		Bearing ..... [2] BR28580/BR28521	
	(Speedi-Sleeve) (1.625" Shaft) .....	99162	1955	10 Spd. Fuller R95 Trans.:	
	Bearing .....	209-NRJ		Seal .....	17231
1972-1962	4 Spd. Spicer 7041 Aux. Trans.:			(Speedi-Sleeve) .....	99174
	Seal .....	27370	1955-1950	5 Spd. Spicer 4452, 4453, 4952 & 4953 Trans.:	
	(Speedi-Sleeve) .....	99274		Bearing .....	212-ZNRJ
	Bearing (Inner) .....	312-J	1955-1950	5 Spd. Spicer 5552, 5553 & 5753 Trans.:	
	Bearing (Outer) .....	6210-J		Seal .....	16072
1972-1960	5 Spd. Clark 305 & 307 Trans.:			(Speedi-Sleeve) .....	99162
	Bearing .....	212-ZNRJ	1954-1952	8 Spd. Fuller R45 Trans.:	
1966-1962	3 Spd. Spicer 7231 Aux. Trans.:			Seal .....	14832
	Seal .....	27370		(Speedi-Sleeve) .....	99149
	(Speedi-Sleeve) .....	99274		Bearing (Main Trans.) .....	212-ZNRJ
	Bearing (Inner) .....	311-J		Bearing (Aux. Trans.) .....	213-NRJ
	Bearing (Outer) .....	6210-J	1954-1952	10 Spd. Fuller R950 Trans.:	
1966-1960	5 Spd. Clark 401, 407 & 408 Trans.:			Seal .....	14832
	Bearing .....	6213-ZNRJ		(Speedi-Sleeve) .....	99149
1966-1960	4 Spd. New Process 435 Trans. w/Tapered Brg.:		1954-1950	3 Spd. Spicer 5531 Aux. Trans.:	
	Seal .....	12363		Seal .....	24986
	(Speedi-Sleeve) .....	99125		(Speedi-Sleeve) .....	99250
	Bearing .....	HM88649/HM88610		Bearing ..... [2] 359-S/354-A	
1966-1960	5 Spd. Clark 269 Trans.:		1954-1947	5 Spd. Clark 204 Trans. w/Diesel Eng.:	
	Bearing .....	211-ZNRJ		Bearing .....	6211-ZNRJ
1966-1956	5 Spd. New Process 540, 541 & 542 Trans.:		<b>Mainshaft Pilot</b>		
	Bearing .....	211-ZNRJ	1994-1990	13 Spd. Fuller RT6613 Trans.:	
1966-1956	10 Spd. Fuller R96 Trans.:			Bearing .....	BS61
	Seal .....	17231	1994-1988	Fuller FS6105 Trans.:	
	(Speedi-Sleeve) .....	99174		Bearing .....	SET408
1966-1955	3 Spd. Spicer 5831 Aux. Trans.:			(Set Components) .....	BR39590/BR39520
	Seal .....	24986	1994-1988	Clark 551, 557, 282VHD, 285VHD, 390V, 397V, Fuller FS4005 & FS5005 Trans.:	
	(Speedi-Sleeve) .....	99250		Bearing .....	[14] QBR49845
	Bearing (Inner) .....	309-NRJ	1989-1983	5 Spd. Spicer 6052 Trans.:	
	Bearing (Outer) .....	6209-J		Bearing .....	BR25877/BR25821
1966-1952	3 Spd. Spicer 8031 & 4 Spd. Spicer 8341 Aux. Trans.:		1987-1984	5 Spd. Spicer CM4054 Trans.:	
	Bearing (Inner) .....	MR1313-EX		Bearing (Thrust) .....	SCE2420
	Bearing (Outer) .....	5212-E	1987-1983	10 Spd. Fuller RT6610 Trans.:	
1965-1962	10 Spd. Fuller R63 Trans.:			Bearing (Main Trans.) .....	WJ162116
	Seal .....	14832		Bearing (Aux. Trans.) .....	MU1307-X
	(Speedi-Sleeve) .....	99149	1987-1973	5 Spd. Clark 282VHD, 285VHD, 390, 450 & 550 Series Trans.:	
	Bearing (Aux. Trans.) .....	6218-J		Bearing .....	[14] QBR49845
1965-1955	8 Spd. Fuller R46 Trans.:			Bearing (Thrust) .....	FA35688
	Seal .....	17231	1987-1973	5 Spd. Spicer 5052, 5252, 5852 & CM5552 Trans.:	
	(Speedi-Sleeve) .....	99174		Bearing .....	BR2580
	Bearing (Main Trans.) .....	212-ZNRJ	1987-1967	4 Spd. GMC SM465 Trans.:	
1962-1960	4 Spd. New Process 433 & 434 Trans.:			Bearing .....	[17] QAR34604
	Bearing .....	211-ZNRJ	1987-1962	3 Spd. Spicer 7231 & 4 Spd. Spicer 7041 Aux. Trans.:	
1962-1958	4 Spd. GMC SM420 Trans.:			Bearing .....	MU1209-TV
	Seal .....	12363	1987-1956	5 Spd. New Process 540, 541 & 542 Trans.:	
	(Speedi-Sleeve) .....	99125		Bearing .....	[14] Q15902
	Bearing .....	209-NRJ			(Continued)
1957-1948	4 Spd. GMC SM420 Trans.:				
	Bearing .....	209-NRJ			

## Passenger cars, light & medium trucks

### Chevrolet/GMC Truck Tiltmaster/Transmode, Topkick/Kodiak, 1 1/2 ton, 2 ton, 2 1/2 ton, W series, 40 series/4500 series, 50 series/5500 series, 60 series/6500 series, 70 series/7500 series -- (Cont.)

MFG./YEAR	MODEL & LOCATION	PART NO.	MFG./YEAR	MODEL & LOCATION	PART NO.
<b>Transmission-Manual (Cont.)</b>			<b>Transmission-Manual (Cont.)</b>		
<b>Mainshaft Pilot (Cont.)</b>			<b>Rear (Cont.)</b>		
1984-1983	2 Spd. Fuller 2A92 Aux. Trans.:		1994-1990	13 Spd. Fuller RT6613 Trans.:	
	Bearing .....	6308-J		Seal .....	30100
1984-1967	5 Spd. Clark 208V, 282V & 285V Trans.:			(Speedi-Sleeve) .....	99300
	Bearing .....	SRA5304		Bearing .....	6017-NRJ
1981-1952	3 Spd. Spicer 6231 & 4 Spd. Spicer 6041 Aux. Trans.:		1994-1988	Fuller FS4005 Trans.:	
	Bearing .....	209-J		Seal .....	24910
1978-1967	5 Spd. Clark 325 & 327 Trans.:			(Speedi-Sleeve) .....	99250
	Bearing .....	MR5206-X		Bearing .....	BR25581/BR25520
1978-1960	4 Spd. New Process 433, 434 & 435 Trans.:		1994-1988	Fuller FS5005 Trans.:	
	Bearing .....	[14] Q15902		Seal .....	24910
	Bearing (Thrust) .....	FA35688		(Speedi-Sleeve) .....	99250
1978-1956	5 Spd. Spicer 5652, 5752, 5756, 6852 & 6853 Trans.:		1994-1988	Fuller FS5106 & FS6105 Trans.:	
	Bearing .....	[14] 0513-Q		Bearing .....	SET410
1972-1967	10 Spd. Fuller RT510 Trans.:			(Set Components) .....	BR45284/BR45220
	Bearing (Main Trans.) .....	WJ162116	1993-1985	6 Spd. Fuller FS6106A Trans.:	
	Bearing (Aux. Trans.) .....	WJ162116		Seal .....	27370
1972-1960	5 Spd. Clark 305 & 307 Trans.:			(Speedi-Sleeve) .....	99274
	Bearing .....	J40-1652	1988	5 Spd. Spicer CM4054 Trans.:	
1972-1948	4 Spd. GMC SM420 Trans.:			Bearing .....	7211SG1/0001
	Bearing .....	[18] W1518-Q	1987-1986	W4:	
1966-1960	5 Spd. Clark 401, 407 & 408 Trans.:			Bearing .....	6308-2RSNR
	Bearing (.827" Width) .....	MU1307-X	1987-1986	W7H & W7T:	
1966-1955	3 Spd. Spicer 8031 & 4 Spd. Spicer 8341 Aux. Trans.:			Seal .....	26652
	Bearing (Steel Caged) .....	MR1308-TV	1987-1986	10 Spd. Fuller RT6610 Trans.:	
	Bearing (Bronze Caged) .....	MR1308-EX		Seal .....	34883
1966-1955	10 Spd. Fuller R96 Trans.:			(Speedi-Sleeve) .....	99350
	Bearing (Main Trans.) .....	MU1306-UM		Bearing .....	212-ZNRJ
	Bearing (Aux. Trans.) .....	MU1307-UM	1987-1985	7 Spd. Fuller T8607A Trans.:	
1966-1950	5 Spd. Clark 265, 267 & 269 Trans.:			Seal .....	37330
	Bearing .....	J36-1644		(Speedi-Sleeve) .....	99372
1965-1962	10 Spd. Fuller R63 Trans.:			(Speedi-Sleeve/Seal Kit) .....	900
	Bearing (Main Trans.) .....	MU1306-UM		Bearing .....	212-ZNRJ
	Bearing (Aux. Trans.) .....	J36-1652	1987-1985	7 Spd. Fuller T11607A & T11607B Trans.:	
1965-1955	8 Spd. Fuller R46 Trans.:			Seal .....	37330
	Bearing (Aux. Trans.) .....	J36-1652		(Speedi-Sleeve) .....	99372
1955	5 Spd. Spicer 5753 Aux. Trans.:			(Speedi-Sleeve/Seal Kit) .....	900
	Bearing .....	5306-E		Bearing .....	6214-NRJ
1955-1952	10 Spd. Fuller R95 & R950 Trans.:		1987-1984	W6, W7 & W7M w/5 Spd. Trans.:	
	Bearing (Aux. Trans.) .....	MU1307-UM		Seal .....	15819
1955-1950	5 Spd. Spicer 4452, 4453, 4952 & 4953 Trans.:			(Speedi-Sleeve) .....	99157
	Bearing .....	J36-1652	1987-1984	5 Spd. Clark 450 Series Trans.:	
1954-1952	8 Spd. Fuller R45 Trans.:			Seal (2.500" Shaft) .....	24897
	Bearing (Aux. Trans.) .....	J36-1652		(Speedi-Sleeve) (2.500" Shaft) .....	99250
1954-1952	3 Spd. Spicer 8031 Aux. Trans.:			Seal (2.625" Shaft) .....	26110
	Bearing .....	MU1308-TV		(Speedi-Sleeve) (2.625" Shaft) .....	99262
1954-1950	3 Spd. Spicer 5531 Aux. Trans.:			Bearing .....	BR25581/BR25520
	Bearing .....	6206-J	1987-1984	5 Spd. Spicer CM4054 Trans.:	
1954-1947	5 Spd. Clark 204 & 207 Trans. w/Diesel Eng.:			Seal .....	27293
	Bearing .....	J36-1644		(Speedi-Sleeve) .....	99274
				Bearing .....	6211-NRJ
<b>Rear</b>			1987-1983	5 Spd. Spicer 6052 Trans.:	
1994-1990	6 Spd. Fuller FS6206 & FS7206 Trans.:			Seal (3.548" O.D.) .....	27292
	Bearing .....	SET410		(Speedi-Sleeve) (3.548" O.D.) .....	99274
	(Set Components) .....	BR45284/BR45220		Seal (3.756" O.D.) .....	27365
1994-1990	9 Spd. Fuller RT6609 Trans.:			(Speedi-Sleeve) (3.756" O.D.) .....	99274
	Bearing .....	6017-NRJ		Bearing .....	BR3979/JM511910
					(Continued)

## Passenger cars, light & medium trucks

(Cont.) -- Chevrolet/GMC Truck Tiltmaster/Transmode, Topkick/Kodiak, 1 1/2 ton, 2 ton, 2 1/2 ton, W series, 40 series/4500 series, 50 series/5500 series, 60 series/6500 series, 70 series/7500 series

MFG./YEAR	MODEL & LOCATION	PART NO.	MFG./YEAR	MODEL & LOCATION	PART NO.
<b>Transmission-Manual (Cont.)</b>			<b>Transmission-Manual (Cont.)</b>		
<b>Rear (Cont.)</b>			<b>Rear (Cont.)</b>		
1987-1983	5 Spd. Clark 550 Series Trans.:		1984-1977	5 Spd. Clark 280V, 282V & 285V Trans. w/o Parking Brk.:	
	Seal ..... 24913			Seal ..... 22446	
	(Speedi-Sleeve) ..... 99250			(Speedi-Sleeve) ..... 99225	
	Bearing ..... BR25584/25547-RB			Bearing ..... N6309-NRJ	
1987-1979	4 Spd. Spicer 7041 Aux. Trans.:		1984-1977	5 Spd. Clark 280V, 282V & 285V Trans. w/Parking Brk.:	
	Seal ..... 29952			Seal ..... 24913	
	(Speedi-Sleeve) ..... 99300			(Speedi-Sleeve) ..... 99250	
	Bearing ..... 312-NRJ			Bearing ..... N6309-NRJ	
1987-1978	4 Spd. GMC SM465 Trans.:		1981-1957	4 Spd. Spicer 6041 Aux. Trans.:	
	Seal (.375" Width) ..... 19970			Seal ..... 27284	
	(Speedi-Sleeve) (.375" Width) ..... 99199			(Speedi-Sleeve) ..... 99274	
	Seal (.438" Width) ..... 19982			Bearing ..... 310-J	
	Bearing ..... 6308-NRJ		1978-1976	5 Spd. New Process 540 Trans. 2nd Design:	
1987-1977	5 Spd. New Process 542 Trans. w/Parking Brk.:			Seal ..... 24913	
	Seal ..... 24913			(Speedi-Sleeve) ..... 99250	
	(Speedi-Sleeve) ..... 99250			Bearing ..... 308-NRJ	
	Bearing ..... 309-NRJ		1978-1973	4 Spd. New Process 435L Trans. w/Parking Brk.:	
1987-1977	5 Spd. New Process 542 Trans. w/o Parking Brk.:			Seal ..... 24913	
	Seal ..... 21302			(Speedi-Sleeve) ..... 99250	
	(Speedi-Sleeve) ..... 99212			Bearing ..... 308-NRJ	
	Bearing ..... 308-ZNRJ		1978-1973	4 Spd. New Process 435L Trans. w/o Parking Brk.:	
1987-1973	5 Spd. Clark 282VHD & 285VHD Trans.:			Seal ..... 21302	
	Seal ..... 24913			(Speedi-Sleeve) ..... 99212	
	(Speedi-Sleeve) ..... 99250			Bearing ..... 308-NRJ	
	Bearing ..... BR25584/25547-RB		1978-1973	5 Spd. New Process 7550 & 7590 Trans.:	
1987-1973	5 Spd. Clark 390 Series Trans. w/Parking Brk.:			Seal ..... 24931	
	Seal ..... 24911			(Speedi-Sleeve) ..... 99250	
	(Speedi-Sleeve) ..... 99250		1978-1973	5 Spd. Spicer 5652, 5752 & 5756 Trans.:	
	Bearing ..... BR25584/25547-RB			Seal ..... 24910	
1987-1973	5 Spd. Spicer 5052, 5252, 5852 & CM5552 Trans.:			(Speedi-Sleeve) ..... 99250	
	Seal (3.256" O.D.) ..... 24910			(Speedi-Sleeve/Seal Kit) ..... 480250	
	(Speedi-Sleeve) (3.256" O.D.) ..... 99250			Bearing ..... 213-ZNRJ	
	(Speedi-Sleeve/Seal Kit) ..... 480250		1978-1967	5 Spd. Clark 325 & 327 Trans.:	
	Seal (3.756" O.D.) ..... 27365			Seal (2.125" Shaft) ..... 21103	
	(Speedi-Sleeve) (3.756" O.D.) ..... 99274			(Speedi-Sleeve) (2.125" Shaft) ..... 99212	
	Bearing ..... JM511946/JM511910			Seal (2.250" Shaft) ..... 22440	
1987-1973	5 Spd. Clark 390 Series Trans. w/o Parking Brk.:			(Speedi-Sleeve) (2.250" Shaft) ..... 99225	
	Seal ..... 27268			Bearing ..... N6310-NRJ	
	(Speedi-Sleeve) ..... 99274		1978-1962	4 Spd. Spicer 7041 Aux. Trans.:	
	Bearing ..... BR25584/25547-RB			Seal (3.756" O.D.) ..... 29865	
1987-1973	13 Spd. Fuller RT613 & RT6613 Trans.:			(Speedi-Sleeve) (3.756" O.D.) ..... 99300	
	Seal ..... 37330			Seal (4.008" O.D.) ..... 29925	
	(Speedi-Sleeve) ..... 99372			(Speedi-Sleeve) (4.008" O.D.) ..... 99300	
	(Speedi-Sleeve/Seal Kit) ..... 900			(Speedi-Sleeve/Seal Kit) ..... 480300	
	Bearing ..... A3071			Bearing ..... 312-NRJ	
1985-1983	10 Spd. Fuller RT6610 Trans.:		1978-1960	4 Spd. New Process 435G Trans.:	
	Seal ..... 34889			Seal ..... 21103	
	(Speedi-Sleeve) ..... 99350			(Speedi-Sleeve) ..... 99212	
	Bearing ..... 212-NRJ			Bearing ..... 308-NRJ	
1984-1983	2 Spd. Fuller 2A92 Aux. Trans.:		1977-1967	4 Spd. GMC SM465 Trans.:	
	Seal ..... 34889			Seal ..... 19970	
	(Speedi-Sleeve) ..... 99350			(Speedi-Sleeve) ..... 99199	
				Bearing ..... 308-ZNRJ	
				(Continued)	

**Chevrolet/GMC Truck Tiltmaster/Transmode, Topkick/Kodiak, 1 1/2 ton, 2 ton, 2 1/2 ton, W series, 40 series/4500 series, 50 series/5500 series, 60 series/6500 series, 70 series/7500 series -- (Cont.)**

MFG./YEAR	MODEL & LOCATION	PART NO.	MFG./YEAR	MODEL & LOCATION	PART NO.
<b>Transmission-Manual (Cont.)</b>			<b>Transmission-Manual (Cont.)</b>		
<b>Rear (Cont.)</b>			<b>Rear (Cont.)</b>		
1976-1967	5 Spd. Clark 280V, 282V & 285V Trans.:		1966-1955	3 Spd. Spicer 5831 Aux. Trans.:	
	Seal ..... 22446			Seal ..... 24986	
	(Speedi-Sleeve) ..... 99225			(Speedi-Sleeve) ..... 99250	
	Bearing ..... N6309-NRJ			Bearing ..... 6310-NRJ	
1976-1967	5 Spd. New Process 540 Trans. 1st Design:		1966-1955	5 Spd. New Process 540, 541 & 542 Trans.:	
	Seal ..... 21103			Seal ..... 21103	
	(Speedi-Sleeve) ..... 99212			(Speedi-Sleeve) ..... 99212	
	Bearing ..... 308-NRJ			Bearing ..... 308-NRJ	
1976-1967	5 Spd. New Process 541 & 542 Trans.:		1966-1952	3 Spd. Spicer 8031 & 4 Spd. Spicer 8341 Aux. Trans.:	
	Seal ..... 21103			Bearing ..... 412-NRJ	
	(Speedi-Sleeve) ..... 99212			1966-1950 5 Spd. Clark 265, 267 & 269 Trans.:	
	Bearing ..... 308-NRJ			Seal ..... 21098	
1972-1967	10 Spd. Fuller RT510 Trans.:			(Speedi-Sleeve) ..... 99212	
	Seal ..... 34889			Bearing (.827" Width) ..... N6309-NRJ	
	(Speedi-Sleeve) ..... 99350			Bearing (.981" Width) ..... 6309-NRJ	
	Bearing ..... 212-NRJ		1965-1962	10 Spd. Fuller R63 Trans.:	
1972-1967	5 Spd. Spicer 3152 Trans.:			Seal ..... 34889	
	Seal ..... 22340			(Speedi-Sleeve) ..... 99350	
	(Speedi-Sleeve) ..... 99225			Bearing ..... 310-NRJ	
	Bearing ..... 309-NRJ		1965-1960	4 Spd. Spicer 8245 Trans.:	
1972-1960	5 Spd. Spicer 5652, 5752 & 5756 Trans.:			Bearing ..... 312-NRJ	
	Seal ..... 24910		1965-1952	8 Spd. Fuller R45 & R46 Trans.:	
	(Speedi-Sleeve) ..... 99250			Seal ..... 34889	
	(Speedi-Sleeve/Seal Kit) ..... 480250			(Speedi-Sleeve) ..... 99350	
	Bearing ..... 310-NRJ			Bearing ..... 310-NRJ	
1972-1960	5 Spd. Clark 305 & 307 Trans.:		1962-1960	4 Spd. New Process 433 & 434 Trans.:	
	Seal ..... 22440			Seal ..... 21103	
	(Speedi-Sleeve) ..... 99225			(Speedi-Sleeve) ..... 99212	
	Bearing ..... 310-NRJ			Bearing ..... 308-NRJ	
1972-1960	4 Spd. GMC SM420 Trans. w/Parking Brk.:		1956-1952	3 Spd. Spicer 6231 Aux. Trans.:	
	Seal ..... 22340			Seal ..... 27284	
	(Speedi-Sleeve) ..... 99225			(Speedi-Sleeve) ..... 99274	
	Bearing ..... 208-NRJ			Bearing ..... [2] BR28678/BR28622	
1972-1955	4 Spd. GMC SM420 Trans. w/o Parking Brk.:		1955-1952	10 Spd. Fuller R95 & R950 Trans.:	
	Seal ..... 22340			Seal ..... 34889	
	(Speedi-Sleeve) ..... 99225			(Speedi-Sleeve) ..... 99350	
	Bearing ..... 6307-NRJ			Bearing (Main Trans.) ..... 312-NRJ	
1966-1962	3 Spd. Spicer 7231 Aux. Trans.:		1955-1950	5 Spd. Spicer 4452, 4453, 4952 & 4953 Trans.:	
	Seal ..... 27370			Seal ..... 24986	
	(Speedi-Sleeve) ..... 99274			(Speedi-Sleeve) ..... 99250	
	Bearing ..... 311-NRJ			Bearing ..... 310-ZNRJ	
1966-1960	5 Spd. Clark 401, 407 & 408 Trans.:		1955-1950	5 Spd. Spicer 5552, 5553 & 5753 Trans.:	
	Seal ..... 26153			Seal ..... 27284	
	(Speedi-Sleeve) ..... 99262			(Speedi-Sleeve) ..... 99274	
	Bearing ..... 6311-NRJ			Bearing ..... 6311-NRJ	
1966-1960	5 Spd. Spicer 6853 Trans.:		1955-1947	5 Spd. Clark 202, 204, 205 & 207 Trans.:	
	Seal ..... 27368			Seal ..... 21098	
	(Speedi-Sleeve) ..... 99274			(Speedi-Sleeve) ..... 99212	
	Bearing ..... 311-NRJ			Bearing ..... 6308-NRJ	
1966-1956	5 Spd. Spicer 6852 Trans.:		1954-1950	3 Spd. Spicer 5531 Aux. Trans.:	
	Seal ..... 27284			Seal ..... 24986	
	(Speedi-Sleeve) ..... 99274			(Speedi-Sleeve) ..... 99250	
	Bearing ..... 311-NRJ			Bearing ..... 6310-ZNRJ	
1966-1956	10 Spd. Fuller R96 Trans.:			(Continued)	
	Seal ..... 34889				
	(Speedi-Sleeve) ..... 99350				

## Passenger cars, light & medium trucks

(Cont.) -- Chevrolet/GMC Truck Tiltmaster/Transmode, Topkick/Kodiak, 1 1/2 ton, 2 ton, 2 1/2 ton, W series, 40 series/4500 series, 50 series/5500 series, 60 series/6500 series, 70 series/7500 series

MFG./YEAR	MODEL & LOCATION	PART NO.	MFG./YEAR	MODEL & LOCATION	PART NO.
<b>Transmission-Manual (Cont.)</b>			<b>Transmission-Manual (Cont.)</b>		
<b>Rear (Cont.)</b>			<b>Reverse Idler (Cont.)</b>		
1954-1950	4 Spd. GMC SM420 Trans.:		1972-1960	5 Spd. Clark 305 & 307 Trans.:	
	Seal .....	22338		Bearing .....	[2] J40-1652
	(Speedi-Sleeve) .....	99225	1966-1947	5 Spd. Clark 202, 204, 205, 207, 265, 267 & 269 Trans.:	
	Bearing .....	6307-NRJ		Bearing .....	[2] J36-1644
1949-1948	4 Spd. GMC SM420 Trans.:		1965-1952	8 Spd. Fuller R45 & R46 Trans.:	
	Bearing .....	6307-NRJ		Bearing .....	[2] J36-1652
1947-1938	4 Spd. GMC SM420 Trans.:		1962-1960	4 Spd. New Process 434 Trans.:	
	Bearing .....	6307-J		Bearing (Front) .....	B1412
				Bearing (Rear) .....	B1816
				Bearing (Thrust) .....	NTA815
<b>Reverse Gear</b>			<b>Second Speed Gear</b>		
1987-1984	5 Spd. Clark 450 Series Trans.:		1987-1984	5 Spd. Clark 450 Series Trans.:	
	Bearing .....	F84003		Bearing .....	F94490
1987-1984	5 Spd. Spicer CM4054 Trans.:		1987-1984	5 Spd. Spicer CM4054 Trans.:	
	Bearing .....	F93290		Bearing .....	F95407
1987-1983	5 Spd. Spicer 6052 Trans.:		1987-1973	5 Spd. Clark 390 & 550 Series Trans.:	
	Bearing .....	F56619		Bearing .....	[96] QA48181
1987-1973	5 Spd. Clark 390 & 550 Series Trans.:		1987-1973	5 Spd. Spicer 5052, 5252, 5852 & CM5552 Trans.:	
	Bearing .....	[96] QA48181		Bearing .....	[96] QA48181
1987-1973	5 Spd. Spicer 5052, 5252, 5852 & CM5552 Trans.:		1966-1955	3 Spd. Spicer 8031 & 4 Spd. Spicer 8341 Aux. Trans.:	
	Bearing .....	F81205		Bearing .....	[144] S444-Q
<b>Reverse Idler</b>			<b>Shift Shaft</b>		
1987-1985	7 Spd. Fuller T8607A, T11607A & T11607B Trans.:		1987-1986	W7H & W7T:	
	Bearing .....	[4] WJ162116		Seal (Top Lever) .....	10944
1987-1984	5 Spd. Spicer 6052 & CM4054 Trans.:			Seal (Side Lever) .....	6247
	Bearing .....	[2] WJ162116	1987-1985	6 Spd. Fuller F56106A Trans.:	
1987-1984	5 Spd. Clark 450 Series Trans.:			Seal .....	9847
	Bearing .....	[52] QA48181		(Speedi-Sleeve) .....	99100
1987-1983	10 Spd. Fuller RT6610 Trans.:		1987-1985	W7M w/5 Spd. Trans.:	
	Bearing .....	[2] WJ162116		Seal .....	9723
1987-1979	5 Spd. Clark 282VHD & 285VHD Trans.:			(Speedi-Sleeve) .....	99098
	Bearing .....	[2] F54970	1987-1984	W6 & W7 w/5 Spd. Trans.:	
1987-1973	5 Spd. Clark 390 & 550 Series Trans.:			Seal (Top Lever) .....	9723
	Bearing .....	[52] QA47838		(Speedi-Sleeve) (Top Lever) .....	99098
1987-1973	5 Spd. Spicer 5052, 5252, 5852 & CM5552 Trans.:		1987-1950	3 Spd. Spicer 7231, 4 Spd. Spicer 6041 & 7041 Aux. Trans.:	
	Bearing .....	[2] WJ162116		Seal .....	8703
1987-1973	13 Spd. Fuller RT613 & RT6613 Trans.:			(Speedi-Sleeve) .....	99087
	Bearing .....	[2] WJ162116	1984-1983	2 Spd. Fuller 2A92 Aux. Trans.:	
1987-1957	5 Spd. New Process 541 & 542 Trans.:			Seal .....	8627
	Bearing (Front) .....	B1412		(Speedi-Sleeve) .....	99087
	Bearing (Rear) .....	B1816	1984-1967	5 Spd. Clark 282V & 285V Trans.:	
	Bearing (Thrust) .....	NTA815		Seal .....	8660
1984-1979	5 Spd. Clark 282V & 285V Trans.:			(Speedi-Sleeve) .....	99087
	Bearing .....	[2] F54970		Seal (Remote) .....	4912
1978-1973	5 Spd. Clark 325 & 327 Trans.:			(Speedi-Sleeve) (Remote) .....	99050
	Bearing .....	[2] J40-1652		(Speedi-Sleeve) / Seal Kit (Remote) .....	480050
1978-1967	5 Spd. Clark 280V, 282V & 285V Trans.:		1983	5 Spd. Clark 282VHD & 285VHD Trans.:	
	Bearing .....	[2] J36-1644		Seal .....	8660
1978-1960	5 Spd. Spicer 5652 & 5756 Trans.:			(Speedi-Sleeve) .....	99087
	Bearing .....	[2] J32-2064		Seal (Remote) .....	4912
1972-1967	5 Spd. Clark 325 & 327 Trans.:			(Speedi-Sleeve) (Remote) .....	99050
	Bearing .....	[2] J36-1644		(Speedi-Sleeve) / Seal Kit (Remote) .....	480050
1972-1967	10 Spd. Fuller RT510 Trans.:		1980-1960	5 Spd. New Process 540, 541 & 542 Trans.:	
	Bearing .....	[2] WJ162116		Seal (Remote) .....	7440
1972-1963	4 Spd. New Process 435 Trans.:			(Speedi-Sleeve) .....	99076
	Bearing .....	[68] C407-Q			(Continued)

**Chevrolet/GMC Truck Tiltmaster/Transmode, Topkick/Kodiak, 1 1/2 ton, 2 ton, 2 1/2 ton, W series, 40 series/4500 series, 50 series/5500 series, 60 series/6500 series, 70 series/7500 series -- (Cont.)**

MFG./YEAR	MODEL & LOCATION	PART NO.	MFG./YEAR	MODEL & LOCATION	PART NO.
<b>Transmission-Manual (Cont.)</b>			<b>Transmission-Manual (Cont.)</b>		
<b>Shift Shaft (Cont.)</b>			<b>Third Speed Gear</b>		
<b>1978-1960 4 Spd. New Process 433 &amp; 435 Trans.:</b>			<b>1987-1984 5 Spd. Clark 450 Series Trans.:</b>		
	Seal (Remote) .....	7440		Bearing .....	F84003
	(Speedi-Sleeve) .....	99076	<b>1987-1983 5 Spd. Clark 390 &amp; 550 Series Trans.:</b>		
<b>1972-1967 5 Spd. Clark 325 Trans.:</b>				Bearing .....	[96] QA48181
	Seal .....	8660	<b>1966-1955 3 Spd. Spicer 8031 &amp; 4 Spd. Spicer 8341 Aux. Trans.:</b>		
	(Speedi-Sleeve) .....	99087		Bearing .....	[124] S444-Q
	Seal (Remote) .....	4912	<b>Air Conditioning Clutch</b>		
	(Speedi-Sleeve) (Remote) .....	99050	<b>1993-1962 All:</b>		
	(Speedi-Sleeve) /Seal Kit (Remote) .....	480050		Bearing .....	5908-VAW
<b>1966-1960 5 Spd. Clark 305, 307, 401, 407 &amp; 408 Trans.:</b>			<b>Alternator</b>		
	Seal .....	8660	<b>1993-1991 124 Amp.:</b>		
	(Speedi-Sleeve) .....	99087		Bearing (Rear) .....	6000-2RSJ
	Seal (Remote) .....	4912	<b>1993-1990 60 Amp.:</b>		
	(Speedi-Sleeve) .....	99050		Bearing (Front) .....	6305-2RSJ
	(Speedi-Sleeve) /Seal Kit .....	480050	<b>1990 120 Amp.:</b>		
<b>1966-1955 5 Spd. Clark 265, 267 &amp; 269 Trans.:</b>				Bearing (Front) .....	6203-2RSJ
	Seal .....	8660		Bearing (Rear) .....	6000-2RSJ
	(Speedi-Sleeve) .....	99087	<b>1990-1989 42 Amp.:</b>		
	Seal (Remote) .....	4912		Bearing (Front) .....	6203-2RSJ
	(Speedi-Sleeve) (Remote) .....	99050		Bearing (Rear) .....	MNJ471-S
	(Speedi-Sleeve) /Seal Kit (Remote) .....	480050	<b>1990-1983 70 Amp.:</b>		
<b>1966-1955 3 Spd. Spicer 5831 Aux. Trans.:</b>				Bearing (Front) .....	6203-2RSJ
	Seal .....	8648		Bearing (Rear) .....	BA608
	(Speedi-Sleeve) .....	99087	<b>1990-1983 108 Amp.:</b>		
<b>1966-1955 10 Spd. Fuller R95 &amp; R96 Trans.:</b>				Bearing (Front) .....	6203-2RSJ
	Seal (Aux. Trans.) .....	9815		Bearing (Rear) .....	MNJ471-S
	(Speedi-Sleeve) (Aux. Trans.) .....	99100	<b>1988-1983 Leece Neville 105, 130 &amp; 160 Amp.:</b>		
	(Speedi-Sleeve) /Seal Kit .....	480097		Bearing (Rear) .....	BA608
<b>1966-1952 3 Spd. Spicer 6231, 8031 &amp; 4 Spd. Spicer 8341 Aux. Trans.:</b>			<b>1988-1983 90 Amp.:</b>		
	Seal .....	8703		Bearing (Front) .....	6305-2ZJ
	(Speedi-Sleeve) .....	99087	<b>1988-1979 42 &amp; 56 Amp.:</b>		
<b>1965-1962 10 Spd. Fuller R63 Trans.:</b>				Bearing (Front) .....	6203-2RSJ
	Seal (Aux. Trans.) .....	8620		Bearing (Rear) .....	MNJ471-S
	(Speedi-Sleeve) (Aux. Trans.) .....	99087	<b>1988-1973 65 &amp; 100 Amp.:</b>		
<b>1965-1960 4 Spd. Spicer 8245 Trans.:</b>				Bearing (Front) .....	6305-RSJ
	Seal .....	8660	<b>1987-1986 W4:</b>		
	(Speedi-Sleeve) .....	99087		Seal .....	5830
	Seal (Remote) .....	4912		Bearing (Front) .....	6303-2RSJ
	(Speedi-Sleeve) (Remote) .....	99050	<b>1987-1984 W6, W7H, W7M &amp; W7T:</b>		
	(Speedi-Sleeve) /Seal Kit (Remote) .....	480050		Bearing (Rear) .....	6302-2RSJ
<b>1965-1960 5 Spd. Spicer 5652 &amp; 5756 Trans.:</b>			<b>1986-1973 80 Amp.:</b>		
	Seal .....	7440		Bearing (Front) .....	6203-ZJ
	(Speedi-Sleeve) .....	99076		Bearing (Rear) .....	MNJ471-S
<b>1965-1952 8 Spd. Fuller R45 &amp; R46 Trans.:</b>			<b>1980-1979 W6 &amp; W7 w/42, 61, 63 &amp; 70 Amp.:</b>		
	Seal (Aux. Trans.) .....	8620		Bearing (Front) .....	6203-ZJ
	(Speedi-Sleeve) (Aux. Trans.) .....	99087	<b>1978-1972 P40 w/63 Amp.:</b>		
	Seal (Cyl.) .....	6229		Bearing (Front) .....	6203-ZJ
	(Speedi-Sleeve) (Cyl.) .....	99062		Bearing (Rear) .....	MNJ471-S
	Bearing (Crossshaft) .....	[2] B1616	<b>1978-1966 62 Amp.:</b>		
<b>1954-1952 10 Spd. Fuller R950 Trans.:</b>				Bearing (Front) .....	6305-J
	Seal (Aux. Trans.) .....	9815		Bearing (Rear) .....	MNJ471-S
	(Speedi-Sleeve) (Aux. Trans.) .....	99100	<b>1978-1963 37, 42, 55 &amp; 61 Amp.:</b>		
	(Speedi-Sleeve) /Seal Kit .....	480097		Bearing (Front) .....	6203-RSJ
	Seal (Cyl.) .....	6229		Bearing (Rear) .....	MNJ471-S
	(Speedi-Sleeve) (Cyl.) .....	99062	<b>1972-1967 100 &amp; 145 Amp.:</b>		
	Bearing (Crossshaft) .....	[2] B1616		Bearing (Front) .....	6305-2RSJ
					(Continued)

## Passenger cars, light & medium trucks

(Cont.) -- Chevrolet/GMC Truck Tiltmaster/Transmode, Topkick/Kodiak, 1 1/2 ton, 2 ton, 2 1/2 ton, W series, 40 series/4500 series, 50 series/5500 series, 60 series/6500 series, 70 series/7500 series

MFG./YEAR	MODEL & LOCATION	PART NO.	MFG./YEAR	MODEL & LOCATION	PART NO.
<b>Alternator (Cont.)</b>			<b>Engine (Cont.)</b>		
1972-1965	130 Amp.:		<b>Crankshaft-Rear</b>		
	Bearing (Front) .....	6205-RSJ	1993-1991	366 (6.0L) & 427 (7.0L) Engs.:	
	Bearing (Rear) .....	6203-RSJ		Seal .....	43303
1972-1960	85 Amp.:			(Speedi-Sleeve) .....	99435
	Bearing (Front) .....	6305-J	1990-1986	350 (5.7L) Eng.:	
	Bearing (Rear) .....	6203-RSJ		Seal (Viton) .....	37026
1965-1963	62 Amp.:			(Speedi-Sleeve) (Viton) .....	99369
	Bearing (Front) .....	6305-J		Seal .....	37027
	Bearing (Rear) .....	6203-RSJ		(Speedi-Sleeve) .....	99364
<b>Drive Shaft</b>			1987-1986	W4:	
1995-1991	Spicer 1330, 1350, 1410 & 1480 Series (End Yoke Style):			Seal .....	39170
	Bearing & Support .....	HB88508-AA		(Speedi-Sleeve) .....	99393
1994-1991	Spicer 1550 & 1610 Series:		1987-1983	8.2N & 8.2T Engs.:	
	Bearing & Support .....	HB88509-C		Seal .....	51852
1994-1988	Spicer 1410 & Cleveland 055 Series (Slip Yoke Style):		1987-1983	3208N & 3208T Engs.:	
	Bearing & Support .....	HB88508-AB		Seal .....	49927
1994-1988	Spicer 1710HD, 1760 & 1810 Series (End Yoke Style):			(Speedi-Sleeve) .....	99499
	Bearing & Support .....	HB88512-A	1987-1968	6 Cyl. Gas Eng. w/o V6:	
1990-1979	Spicer 1480 & 1550:			Seal Kit .....	199
	Bearing & Support .....	HB88508-B	1987-1967	366 (6.0L), 427 (7.0L) & 454 (7.4L) Engs.:	
1987-1986	W7H:			Seal Kit .....	216
	Bearing Only .....	6311-J	1985-1982	BF6L913 Eng.:	
1987-1984	W6, W7 & W7M:			Seal .....	45222
	Bearing Only .....	6209-J		(Speedi-Sleeve) .....	99452
1987-1955	1.378" Brg. I.D. Exc. W Series:		1985-1959	283, 307, 327 & 350 Gas Engs.:	
	Bearing Only .....	BR88107		Seal Kit .....	199
	Bearing & Support .....	HB88107-A	1978-1973	403 & 455 Engs.:	
1987-1950	1.5748" Brg. I.D. & 2.25" Center Height Exc. W Series:			Seal Kit .....	191
	Bearing & Support .....	HB88508-A	1978-1962	3-53, 4-53 & 6V-53 Engs.:	
1987-1950	1.7717" Brg. I.D. Exc. W Series:			Seal (Std.) .....	39935
	Bearing Only .....	BR88509		(Speedi-Sleeve) (Std.) .....	99399
	Bearing & Support .....	HB88509		Seal (Oversize) .....	41126
1987-1947	1.5718" Brg. I.D. & 2.50" Center Height Exc. W Series:			(Speedi-Sleeve) (Oversize) .....	99412
	Bearing & Support .....	HB88508	1965-1958	348 & 409 Engs.:	
1986	W4:			Seal Kit .....	216
	Bearing & Support .....	HB2390-10	1959-1956	322 Eng.:	
1980-1979	W6 & W7 w/Rockwell Std. 58WB Driveline Series (1.7717" Brg. I.D.):			Seal Kit .....	191
	Bearing & Support .....	HB88509	1959-1950	426 & 503 Engs. w/Man. Trans.:	
1980-1979	W6 & W7 w/Rockwell Std. 68WB Driveline Series (1.9685" Brg. I.D.):			Seal .....	49966
	Bearing & Support .....	HB88510		(Speedi-Sleeve) .....	99499
1980-1979	W6 & W7 w/Spicer 1480 Driveline Series (1.5748" Brg. I.D.):		1959-1950	3-71 & 4-71 Engs.:	
	Bearing & Support .....	HB88508		Seal (Std.) .....	46790
				(Speedi-Sleeve) (Std.) .....	99468
				Seal (Oversize) .....	48065
				Seal Kit .....	1200
			1958-1955	265 & 283 Engs.:	
				Seal Kit .....	185
			1955-1950	318 & 360 Engs.:	
				Seal .....	46200
				(Speedi-Sleeve) .....	99463
<b>Engine</b>			<b>Fuel Injector Pump</b>		
<b>Camshaft</b>			1969-1967 All:		
1978-1962	3-53, 4-53 & 6V-53 Engs.:			Seal .....	5068
	Seal .....	15915		(Speedi-Sleeve) .....	99050
			<b>Smog Pump</b>		
			1986-1966 All:		
			Bearing .....		
			6203-2RSJ		
			(Continued)		

**Chevrolet/GMC Truck Tiltmaster/Transmode, Topkick/Kodiak, 1 1/2 ton, 2 ton, 2 1/2 ton, W series, 40 series/4500 series, 50 series/5500 series, 60 series/6500 series, 70 series/7500 series -- (Cont.)**

MFG./YEAR	MODEL & LOCATION	PART NO.	MFG./YEAR	MODEL & LOCATION	PART NO.
<b>Engine (Cont.)</b>			<b>Generator</b>		
<b>Timing Belt Idler</b>			<b>1965-1960 35 Amp.:</b>		
<b>1995-1993 4.3L, 5.0L, 5.7L &amp; 7.4L Engs.:</b>			Bearing (Front) ..... 6204-RSJ		
Bearing & Housing Assy. .... VKM900052			Bearing (Rear) ..... 6203-RSJ		
<b>Timing Cover</b>			<b>1965-1957 12 Volt 50 Amp. w/o Diesel Eng.:</b>		
<b>1993-1966 366, 427 &amp; 454 Engs.:</b>			Bearing (Front) ..... BR8605		
Seal ..... 23300			<b>1959-1955 12 Volt 25 &amp; 30 Amp.:</b>		
(Speedi-Sleeve) ..... 99233			Bearing (Front) ..... 6203-RSJ		
(Speedi-Sleeve/Seal Kit) ..... 480233			Bearing (Rear) ..... 6203-RSJ		
<b>1990-1967 283, 307, 327 &amp; 350 Engs.:</b>			<b>1959-1951 12 Volt 40 Amp.:</b>		
Seal ..... 17286			Bearing (Front) ..... BR8605		
(Speedi-Sleeve) ..... 99176			<b>1959-1950 12 Volt 50 Amp. w/Diesel Eng.:</b>		
(Speedi-Sleeve/Seal Kit) ..... 480177			Bearing (Front) ..... 6305-2RSJ		
<b>1987-1986 W4:</b>			<b>1956-1955 6 Volt 45 Amp.:</b>		
Seal ..... 23446			Bearing (Front) ..... 6203-RSJ		
(Speedi-Sleeve) ..... 99235			Bearing (Rear) ..... 6203-RSJ		
<b>1987-1984 W6 &amp; W7M:</b>			<b>1955-1952 6 Volt 55 Amp.:</b>		
Seal ..... 23456			Bearing (Front) ..... BR8605		
(Speedi-Sleeve) ..... 99235			<b>1955-1947 6 Volt Exc. 45 &amp; 55 Amp.:</b>		
<b>1987-1983 3208N &amp; 3208T Engs.:</b>			Bearing (Front) ..... 6203-J		
Seal ..... 28656			Bearing (Rear) ..... BR8503		
(Speedi-Sleeve) ..... 99287			<b>Power Takeoff</b>		
<b>1987-1963 6 Cyl. Gas Eng. w/o V6:</b>			<b>Input Shaft</b>		
Seal ..... 17286			<b>1957-1956 40 Series:</b>		
(Speedi-Sleeve) ..... 99176			Seal ..... 24988		
(Speedi-Sleeve/Seal Kit) ..... 480177			(Speedi-Sleeve) ..... 99250		
<b>1985-1982 BF6L913 Eng.:</b>			(Speedi-Sleeve/Seal Kit) ..... 480249		
Seal ..... 25421			Bearing (Front) ..... 6009-J		
(Speedi-Sleeve) ..... 99254			Bearing (Rear) ..... 6206-J		
<b>1978-1973 403 &amp; 455 Engs.:</b>			<b>Output Shaft</b>		
Seal ..... 19887			<b>1987-1986 W7H &amp; W7T:</b>		
(Speedi-Sleeve) ..... 99199			Seal ..... 12739		
<b>1978-1962 3-53, 4-53 &amp; 6V-53 Engs.:</b>			Bearing ..... [2] 6207-J		
Seal (Std.) ..... 18555			<b>1987-1984 W6, W7 &amp; W7M:</b>		
(Speedi-Sleeve) (Std.) ..... 99187			Bearing ..... [2] 6305-J		
Seal (Oversize) ..... 19745			<b>1986-1984 Rockwell Std. T226 Transfer Case:</b>		
(Speedi-Sleeve) (Oversize) ..... 99199			Seal ..... 17386		
<b>1978-1960 V6 Eng.:</b>			(Speedi-Sleeve) ..... 99174		
Seal ..... 23685			<b>1957-1956 40 Series:</b>		
(Speedi-Sleeve) ..... 99237			Seal ..... 24988		
<b>1959-1957 370 Eng. w/Frt. Mounted Pwr. Takeoff:</b>			(Speedi-Sleeve) ..... 99250		
Seal ..... 22448			(Speedi-Sleeve/Seal Kit) ..... 480249		
(Speedi-Sleeve) ..... 99225			Bearing ..... [2] 6009-J		
<b>1959-1956 322 Eng.:</b>			<b>Shift Shaft</b>		
Seal Kit ..... 144			<b>1986-1984 Rockwell Std. T226 Transfer Case:</b>		
<b>1959-1955 324 &amp; 370 Engs. Exc. Frt. Mounted Pwr. Takeoff:</b>			Seal ..... 4931		
Seal ..... 18581			(Speedi-Sleeve) ..... 99050		
(Speedi-Sleeve) ..... 99187			<b>Steering-Power</b>		
<b>1959-1950 3-71 &amp; 4-71 Engs.:</b>			<b>Pitman Shaft</b>		
Seal ..... 28697			<b>1988-1983 Exc. W4, W6, W7 &amp; W7M:</b>		
(Speedi-Sleeve) ..... 99287			Seal (1.750" Shaft) ..... 17387		
<b>1959-1947 270 &amp; 302 Engs.:</b>			Seal (.875" Shaft) ..... 8660		
Seal ..... 17286			<b>1987-1986 W4:</b>		
(Speedi-Sleeve) ..... 99176			Seal (Viton) ..... 14703		
(Speedi-Sleeve/Seal Kit) ..... 480177			Seal ..... 14716		
			<b>1987-1986 W6 &amp; W7M:</b>		
			Seal (1.378" Shaft) ..... 13943		
			Seal (1.750" Shaft) ..... 17387		
			(Continued)		



## Passenger cars, light & medium trucks

(Cont.) -- Chevrolet/GMC Truck Tiltmaster/Transmode, Topkick/Kodiak, 1 1/2 ton, 2 ton, 2 1/2 ton, W series, 40 series/4500 series, 50 series/5500 series, 60 series/6500 series, 70 series/7500 series

MFG./YEAR	MODEL & LOCATION	PART NO.	MFG./YEAR	MODEL & LOCATION	PART NO.
<b>Steering-Power (Cont.)</b>			<b>Steering-Power (Cont.)</b>		
<b>Pitman Shaft (Cont.)</b>			<b>Pump Shaft (Cont.)</b>		
1987-1984	W7:		1954-1951	All:	
	Seal .....	18997		Seal .....	9664
1979-1967	w/o Transmode:			Bearing (Inner) .....	6201-J
	Seal (1.750" Shaft) .....	17442	<b>Worm Shaft</b>		
1978-1973	Transmode:		1988-1960	Exc. W Series:	
	Seal (Inner) .....	12371		Seal (.875" Shaft) .....	8660
	Seal (Outer) .....	12355		Bearing .....	B148
	Seal Kit .....	12392	1987-1986	W4:	
1966-1960	All:			Seal .....	7910
	Seal .....	17387	1987-1986	W6 & W7M:	
<b>Pump Shaft</b>				Seal .....	9725
1988-1964	Exc. John Deere 5.9L Eng. & W Series:		1987-1986	W7H & W7T:	
	Seal (.625" Shaft) .....	◇6316		Seal .....	9725
	(Superseded by:) .....	6916	1987-1984	W7:	
	Seal (.750" Shaft) .....	7475		Seal .....	9725
	Seal (.813" Shaft) .....	8017	<b>Steering-Standard</b>		
	Bearing .....	6203-2RSJ	<b>Pitman Shaft</b>		
1987-1986	W4:		1986-1960	All:	
	Seal .....	21620		Seal .....	17442
	Seal Kit .....	7950		Bearing .....	B2816
	Bearing .....	6204-ZJ	1959-1957	All:	
1987-1986	W6 & W7M:			Seal .....	15039
	Seal .....	9725		Bearing .....	B2816
	Bearing .....	6305-ZJ	<b>Worm Shaft</b>		
1987-1986	W7H & W7T:		1988-1957	All:	
	Seal .....	9725		Seal (.875" Shaft) .....	8637
	Bearing .....	6305-ZJ		Seal (1.000" Shaft) .....	9998
1985-1984	W7:			Bearing .....	B148
	Seal .....	9725			
	Bearing .....	6305-ZJ			
1963-1955	All:				
	Seal (.750" Shaft) .....	7475			
	Seal (.969" Shaft) .....	9663			

## Chrysler (FWD) Cirrus

<b>Wheel Front</b>	
1995	All:
	Hub Assembly .....
	BR930138
<b>Wheel Rear</b>	
1995	All:
	Hub Assembly .....
	BR930176
<b>Clutch</b>	
<b>Release</b>	
1995	w/A578 Trans.:
	Bearing Assembly .....
	N4166
<b>Transaxle-Automatic</b>	
<b>Differential</b>	
1995	w/4 Spd. Trans.:
	Bearing (L.H.) .....
	NP889967/NP178207
	Bearing (R.H.) .....
	BR11
	(Set Components) .....
	JL69349/JL69310

<b>Transaxle-Automatic (Cont.)</b>	
<b>Front Pump</b>	
1995	w/4 Spd. Trans.:
	Seal .....
	14939
	(Speedi-Sleeve) .....
	99149
<b>Output Shaft</b>	
1995	w/4 Spd. Trans.:
	Seal .....
	15750
	(Speedi-Sleeve) .....
	99157
<b>Transfer Shaft</b>	
1995	All:
	Bearing (Front) .....
	BR13687/BR13621
	Bearing (Rear) .....
	BR35
	(Set Components) .....
	LM501349/LM501310
	(Continued)

**Chrysler (FWD) Cirrus -- (Cont.)**

MFG./YEAR	MODEL & LOCATION	PART NO.	MFG./YEAR	MODEL & LOCATION	PART NO.
<b>Transaxle-Manual</b>			<b>Engine (Cont.)</b>		
<b>Differential</b>			<b>Timing Belt Idler</b>		
1995	w/A578 Trans.:		1995	2.5L Eng.:	
	Bearing ..... [2]	BR11		Bearing & Housing Assy. ....	VKM85002
	(Set Components) .....	JL69349/JL69310	<b>Timing Belt Tensioner</b>		
<b>Output Shaft</b>			1995	2.5L Eng.:	
1995	w/A578 Trans.:			Bearing & Housing Assy. ....	VKM75000
	Seal .....	15750	<b>Timing Belt and Tensioner Kit</b>		
	(Speedi-Sleeve) .....	99157	1995	2.5L Eng.:	
<b>Engine</b>				Belt & Tensioner Kit .....	VKMA95613
<b>Camshaft</b>			<b>Timing Cover</b>		
1995	2.5L Eng.:		1995	2.5L Eng.:	
	Seal .....	13943		Seal .....	14671
	(Speedi-Sleeve) .....	99139	1995	2.4L Eng.:	
1995	2.4L Eng.:			Seal .....	12717
	Seal .....	13709		(Speedi-Sleeve) .....	99128
	(Speedi-Sleeve) .....	99139	<b>Crankshaft-Rear</b>		
1995	2.0L, 2.4L & 2.5L Eng.:		1995		
	Seal .....	36204			

**Chrysler (FWD) Concorde, LHS, New Yorker (from 1994), 300 (thru 1995)**

<b>Wheel Front</b>			<b>Engine</b>		
1995-1993	All:		<b>Camshaft Front</b>		
	Hub Assembly (Kit) .....	BR930190K	1995	3.5L Eng.:	
<b>Wheel Rear</b>				Seal .....	11152
1995-1993	All:		<b>Crankshaft-Rear</b>		
	Hub Assembly .....	BR930189	1995-1993	All:	
<b>Transaxle-Automatic</b>				Seal .....	35828
<b>Differential</b>			<b>Timing Belt Tensioner</b>		
1995-1994	w/42LE Trans.:		1995	Concorde, LHS & New Yorker w/3.5L Eng.:	
	Bearing ..... [2]	BR36		Bearing Only .....	VKM51001
	(Set Components) .....	LM603049/LM603012		Bearing & Housing Assy. ....	VKM51003
<b>Front Pump</b>			<b>Timing Belt and Tensioner Kit</b>		
1995-1994	w/42LE Trans.:		1995	Concorde, LHS & New Yorker w/3.5L Eng.:	
	Seal .....	14939		Belt & Tensioner Kit .....	VKMA41003
	(Speedi-Sleeve) .....	99149	1994-1993	3.5L Eng.:	
<b>Output Shaft</b>				Belt & Tensioner Kit .....	VKMA41006
1995-1994	w/42LE Trans.:		<b>Timing Cover</b>		
	Seal (L.H.) .....	11897	1995-1993	All:	
	(Speedi-Sleeve) (L.H.) .....	99118		Seal .....	11122
	Seal (R.H.) .....	11919		(Speedi-Sleeve) .....	99112
	Bearing .....	6907-VAW	<b>Transfer Shaft</b>		
1995-1993	w/42LE Trans.:		1995-1993	w/42LE Trans.:	
	Seal (Front) .....	15607		Seal (Front) .....	15607
	Seal (Rear) .....	14512		Seal (Rear) .....	14512
	Bearing (Front) .....	M802048/M802011		Bearing (Front) .....	M802048/M802011

# Passenger cars, light & medium trucks

## Chrysler (FWD) E Class/New Yorker (1993-83), Imperial/5th Ave., Laser (thru 1986), LeBaron (from 1982), TC, Town & Country (1988-1983)

MFG./YEAR	MODEL & LOCATION	PART NO.	MFG./YEAR	MODEL & LOCATION	PART NO.
<b>Wheel Front</b>			<b>Clutch (Cont.)</b>		
<b>1995-1991 All:</b>			<b>Release (Cont.)</b>		
	Seal .....	21952	<b>1989-1986 Exc. '89 TC:</b>		
	Seal (w/Sleeve) .....	21962		Bearing Assembly .....	N3013-SA
	Hub Assembly .....	BR930013	<b>1985-1982 All:</b>		
<b>1990-1989 LeBaron w/14" Whls.:</b>				Bearing Assembly .....	N3013-SA
	Seal .....	21952	<b>Transaxle-Automatic</b>		
	Seal (w/Sleeve) .....	21962	<b>Differential</b>		
	Bearing .....	B42	<b>1995-1982 All:</b>		
	Hub Assembly .....	BR930002		Bearing .....	[2] BR11
<b>1990-1989 LeBaron w/15" &amp; 16" Whls.:</b>				(Set Components) .....	JL69349/JL69310
	Seal .....	21952	<b>Front Pump</b>		
	Seal (w/Sleeve) .....	21962	<b>1995-1991 All:</b>		
	Hub Assembly .....	BR930013		Seal .....	14939
<b>1990-1989 Imperial/5th Ave. &amp; New Yorker:</b>				(Speedi-Sleeve) .....	99149
	Seal .....	21952	<b>1990-1982 All:</b>		
	Seal (w/Sleeve) .....	21962		Seal .....	15022
	Hub Assembly .....	BR930013		(Speedi-Sleeve) .....	99149
<b>1989 TC3:</b>			<b>Output Shaft</b>		
	Seal .....	21952	<b>1995-1981 All:</b>		
	Seal (w/Sleeve) .....	21962		Seal .....	15750
	Bearing .....	B42		(Speedi-Sleeve) .....	99157
<b>1988-1984 All:</b>			<b>Shift Shaft</b>		
	Seal .....	21952	<b>1995-1981 All:</b>		
	Seal (w/Sleeve) .....	21962		Seal .....	8017
	Bearing .....	B42	<b>Transaxle-Manual</b>		
	Hub Assembly (4 Bolt) .....	BR930001	<b>Differential</b>		
	Hub Assembly (5 Bolt) .....	BR930002	<b>1992-1982 All:</b>		
<b>1983-1982 All:</b>				Bearing .....	[2] BR11
	Seal .....	21952		(Set Components) .....	JL69349/JL69310
	Seal (w/Sleeve) .....	21962	<b>Input Shaft</b>		
	Bearing .....	B39	<b>1992-1982 All:</b>		
	Hub Assembly .....	BR930000		Seal .....	10583
<b>Wheel Rear</b>				(Speedi-Sleeve) .....	99106
<b>1995-1983 All:</b>				Bearing (Front) .....	BR4
	Seal .....	16599		(Set Components) .....	L44649/L44610
	Bearing (Inner) .....	BR39		Bearing (Rear) .....	BR5
	Bearing (Outer) .....	BR16		(Set Components) .....	LM48548/LM48510
	(Set Components) .....	LM12749/LM12711	<b>Output Shaft</b>		
<b>1982 All:</b>			<b>1992-1981 All:</b>		
	Seal .....	14848		Seal .....	15750
	Bearing (Inner) .....	BR4		(Speedi-Sleeve) .....	99157
	(Set Components) .....	L44649/L44610	<b>Shift Shaft</b>		
	Bearing (Outer) .....	BR2	<b>1983-1981 All:</b>		
	(Set Components) .....	LM11949/LM11910		Seal .....	7000
<b>Differential</b>				(Speedi-Sleeve) .....	99082
<b>Kit</b>			<b>Alternator</b>		
<b>1989-1981 7.25" Ring Gear:</b>			<b>1989 Bosch 40 &amp; 90 Amp.:</b>		
	Standard Seal and Bearing Kit Rear .....	SDK302		Bearing (Front) .....	6203-2RSJ
<b>1989-1981 8.25" &amp; 8.375" Ring Gear:</b>				Bearing (Rear) .....	6201-2RSJ
	Standard Seal and Bearing Kit Rear .....	SDK303	<b>1989 Nippondenso 50 &amp; 120 Amp.:</b>		
	Master Seal and Bearing Kit Rear .....	SDK303-MK		Bearing (Front) .....	AB1
<b>1981 9.25" Ring Gear:</b>			<b>1989-1988 Chrysler 40, 50, 90 &amp; 120 Amp.:</b>		
	Standard Seal and Bearing Kit Rear .....	SDK304		Bearing (Rear) .....	6203-2RSJ
	Master Seal and Bearing Kit Rear .....	SDK304-MK	<b>1989-1988 Nippondenso 40 &amp; 90 Amp. w/o Pulley No. 5233772 &amp; 5233843:</b>		
<b>Clutch</b>				Bearing (Front) .....	AB1
<b>Release</b>			<b>(Continued)</b>		
<b>1993-1990 All:</b>					
	Bearing Assembly .....	N4122			
<b>1989 TC:</b>					
	Bearing Assembly .....	N4005-SA			

## Passenger cars, light & medium trucks

### Chrysler (FWD) E Class/New Yorker (1993-83), Imperial/5th Ave., Laser (thru 1986), LeBaron (from 1982), TC, Town & Country (1988-1983) -- (Cont.)

MFG./YEAR	MODEL & LOCATION	PART NO.	MFG./YEAR	MODEL & LOCATION	PART NO.
<b>Alternator (Cont.)</b>			<b>Engine (Cont.)</b>		
1989-1988	Nippondenso 40 & 90 Amp. w/Pulley No. 5233772 & 5233843:		<b>Timing Belt Tensioner</b>		
	Bearing (Front) .....	AB1	1995	3.0L Eng.:	
1988	Bosch 40 & 90 Amp. Stamped No. 5233549:			Bearing & Housing Assy. ....	VKM75004
	Bearing (Rear) .....	6201-2RSJ	1988	2.2L Eng.:	
1988	Bosch 40 & 90 Amp. Stamped No. 5233574:			Bearing & Housing Assy. ....	VKM61001
	Bearing (Front) .....	6203-2RSJ	<b>Timing Belt and Tensioner Kit</b>		
	Bearing (Rear) .....	6201-2RSJ	1995-1988	LeBaron & New Yorker w/3.0L Eng.:	
1987-1986	2.2L Eng.:			Belt & Tensioner Kit .....	VKMA95003
	Bearing (Rear) .....	MNJ471-S	1994-1989	LeBaron w/2.5L Eng.:	
1987-1986	2.5L Eng.:			Belt & Tensioner Kit .....	VKMA41000
	Bearing (Rear) .....	6201-ZJ	1990-1989	LeBaron w/2.2L Eng.:	
1987-1986	40, 90 & 100 Amp. Stamped No. 5226600:			Belt & Tensioner Kit .....	VKMA41000
	Bearing (Front) .....	6203-2RSJ	1988	2.5L Eng.:	
	Bearing (Rear) .....	6201-J		Bearing & Tensioner Kit .....	VKMA46101
1987-1986	40, 90 & 100 Amp. Stamped No. 5227100 & 5227200:		1988-1983	LeBaron & New Yorker w/2.2L Eng.:	
	Bearing .....	[2] 6203-2RSJ		Belt & Tensioner Kit .....	VKMA41001
1985	2.2L w/Turbo Eng.:		1987-1984	Town & Country w/2.2L Eng.:	
	Bearing (Front) .....	6203-2RSJ		Belt & Tensioner Kit .....	VKMA41001
	Bearing (Rear) .....	6201-J	1984-1983	E Class & Laser w/2.2L Eng.:	
1985-1982	2.6L Eng.:			Belt & Tensioner Kit .....	VKMA41001
	Bearing (Front) .....	6302-2ZJ	<b>Timing Cover</b>		
	Bearing (Rear) .....	6201-ZJ	1995-1988	3.0L Eng.:	
1984-1982	2.2L Eng.:			Seal .....	14671
	Bearing (Front) .....	6203-2RSJ	1994-1986	2.5L Eng.:	
	Bearing (Rear) .....	MNJ471-S		Seal .....	11122
<b>Engine</b>				(Speedi-Sleeve) .....	99112
<b>Auxiliary Shaft</b>			1993-1990	3.3L & 3.8L Eng.:	
1995-1982	2.2L & 2.5L Eng.:			Seal .....	11122
	Seal .....	13624		(Speedi-Sleeve) .....	99112
	(Speedi-Sleeve) .....	99139	1990-1989	2.2L Eng.:	
<b>Camshaft Front</b>				Seal .....	11122
1995-1988	3.0L Eng.:			(Speedi-Sleeve) .....	99112
	Seal .....	13907	1988-1982	2.2L Eng.:	
	(Speedi-Sleeve) .....	99139		Seal .....	13624
1994-1982	2.2L & 2.5L w/o 16 Valve Eng.:			(Speedi-Sleeve) .....	99139
	Seal .....	13624	1985-1982	2.6L Eng.:	
	(Speedi-Sleeve) .....	99139		Seal .....	18854
1992	2.2L 16 Valve Eng.:			(Speedi-Sleeve) .....	99189
	Seal .....	14713	<b>Steering-Power</b>		
	(Speedi-Sleeve) .....	99147	<b>Pump Shaft</b>		
1990-1988	2.2L 16 Valve Eng.:		1988-1982	All:	
	Seal .....	15800		Seal .....	7475
	(Speedi-Sleeve) .....	99157	<b>Worm Shaft</b>		
1988-1982	2.2L Eng. From 2/17/81:		1988-1982	All:	
	Seal (52.35mm O.D.) .....	13624		Seal .....	6139
	Seal (52.62mm O.D.) .....	13953			
	(Speedi-Sleeve) (52.62mm O.D.) .....	99139			
1985-1982	2.6L Eng.:				
	Seal .....	9065			
<b>Crankshaft-Rear</b>					
1995-1982	2.2L, 2.5L, 3.0L, 3.3L & 3.8L Eng.:				
	Seal .....	35828			
1985-1982	2.6L Eng.:				
	Seal .....	31506			
	(Speedi-Sleeve) .....	99317			

# Passenger cars, light & medium trucks

## Chrysler (FWD) Sebring

MFG./YEAR	MODEL & LOCATION	PART NO.	MFG./YEAR	MODEL & LOCATION	PART NO.
<b>Wheel Front</b>			<b>Transaxle-Manual (Cont.)</b>		
1995	Coupe:		<b>Output Shaft</b>		
	Hub Assembly .....	BR930214	1995	w/A578 Trans.:	
<b>Wheel Rear</b>			Seal .....		15750
1995	Coupe:		(Speedi-Sleeve) .....		99157
	Hub Assembly .....	BR930172	<b>Engine</b>		
<b>Clutch</b>			<b>Camshaft</b>		
<b>Release</b>			1995	2.5L Eng.:	
1995	w/o T850 Transaxle:		Seal .....		13943
	Bearing Assembly .....	N4166	(Speedi-Sleeve) .....		99139
<b>Transaxle-Automatic</b>			1995	2.0L Eng.:	
<b>Differential</b>			Seal .....		13709
1995	w/41TE Trans.:		(Speedi-Sleeve) .....		99139
	Bearing (L.H.) .....	NP889967/NP178207	<b>Crankshaft-Rear</b>		
	Bearing (R.H.) .....	BR11	1995	2.0L & 2.5L Engs.:	
	(Set Components) .....	JL69349/JL69310	Seal .....		35905
<b>Front Pump</b>			<b>Timing Belt Tensioner</b>		
1995	w/40TE & 41TE Trans.:		1995	2.5L Eng.:	
Seal .....		14939	Bearing & Housing Assy. ....		VKM75000
(Speedi-Sleeve) .....		99149	1995	2.0L DOHC Eng.:	
<b>Output Shaft</b>			Bearing & Housing Assy. ....		VKM75044
1995	w/41TE Trans.:		<b>Timing Belt and Tensioner Kit</b>		
Seal .....		15750	1995	Sebring w/2.5L Eng.:	
(Speedi-Sleeve) .....		99157	Belt & Tensioner Kit .....		VKMA95613
<b>Transfer Shaft</b>			1995	Sebring w/2.0L Eng.:	
1995	w/41TE Trans.:		Belt & Tensioner Kit .....		VKMA41004
Bearing (Front) .....		BR13687/BR13621	<b>Timing Cover</b>		
Bearing (Rear) .....		BR35	1995	2.5L Eng.:	
(Set Components) .....		LM501349/LM501310	Seal .....		14671
<b>Transaxle-Manual</b>			1995	2.0L Eng.:	
<b>Differential</b>			Seal .....		12717
1995	w/A578 Trans.:		(Speedi-Sleeve) .....		99128
Bearing .....		[2] BR11			
(Set Components) .....		JL69349/JL69310			
<b>Input Shaft</b>					
1995	w/A578 Trans.:				
Bearing .....		FC67560			

## Chrysler (FWD) Town & Country (from 1990)

<b>Wheel Front</b>			<b>Wheel Rear (Cont.)</b>		
1995-1991	14" Whls.:		1995-1990	w/o A.W.D.:	
Seal .....		21952	Seal .....		18009
Seal (w/Sleeve) .....		21962	Bearing (Inner) .....		BR17
Hub Assembly .....		BR930013	(Set Components) .....		L68149/L68111
1995-1990	15" Whls.:		Bearing (Outer) .....		BR16
Seal .....		21952	(Set Components) .....		LM12749/LM12711
Seal (w/Sleeve) .....		21962	<b>Axle Shaft</b>		
Hub Assembly (Kit) .....		BR930021K	1995	All:	
1990	14" Whls.:		Seal .....		15750
Seal .....		21952			(Continued)
Seal (w/Sleeve) .....		21962			
Bearing .....		B42			
Hub Assembly .....		BR930002			
<b>Wheel Rear</b>					
1995-1992	A.W.D.:				
Hub Assembly .....		BR930193			

**Chrysler (FWD) Town & Country (from 1990) -- (Cont.)**

MFG./YEAR	MODEL & LOCATION	PART NO.	MFG./YEAR	MODEL & LOCATION	PART NO.
<b>Transaxle-Automatic Differential</b>			<b>Transfer Case</b>		
<b>1995 41TE Trans. w/A.W.D.:</b>			<b>Front Output Shaft</b>		
	Bearing (L.H.) .....	BR11	<b>1995-1992 A.W.D.:</b>		
	(Set Components) .....	JL69349/JL69310	Seal (Inner) .....		15750
	Bearing (R.H.) .....	LM503349/LM503310	(Speedi-Sleeve) (Inner) .....		99157
<b>1995-1990 31TH &amp; 41TE Trans. w/o A.W.D.:</b>			Seal (Outer) .....		11600
	Bearing .....	[2] BR11	(Speedi-Sleeve) (Outer) .....		99114
	(Set Components) .....	JL69349/JL69310	Bearing .....		6006-J
<b>1994-1992 41TE Trans. w/A.W.D.:</b>			<b>Input Shaft</b>		
	Bearing (L.H.) 36mm I.D. ....	BR11	<b>1995-1992 A.W.D.:</b>		
	(Set Components) .....	JL69349/JL69310	Seal .....		18443
<b>Front Pump</b>			<b>Output Shaft</b>		
<b>1995-1991 4 Spd. Trans.:</b>			<b>1995-1992 A.W.D.:</b>		
	Seal .....	14939	Seal .....		18443
	(Speedi-Sleeve) .....	99149	Bearing (Front) .....		6006-J
<b>1990 All:</b>			<b>Rear Output Shaft</b>		
	Seal .....	15022	<b>1995-1991 All:</b>		
	(Speedi-Sleeve) .....	99149	Seal .....		14942
<b>Output Shaft</b>			(Speedi-Sleeve) .....		99149
<b>1995-1990 All:</b>			<b>Engine</b>		
	Seal .....	15750	<b>Crankshaft-Rear</b>		
	(Speedi-Sleeve) .....	99157	<b>1995-1990 3.3L &amp; 3.8L Engs.:</b>		
<b>Shift Shaft</b>			Seal .....		36204
<b>1995-1990 All:</b>			<b>Timing Cover</b>		
	Seal .....	8017	<b>1995-1990 3.3L &amp; 3.8L Engs.:</b>		
<b>Transfer Shaft</b>			Seal .....		11122
<b>1995 31TH Trans.:</b>			(Speedi-Sleeve) .....		99112
	Bearing .....	[2] BR11	<b>Chrysler (RWD) (Full Size-exc. Imperial), Conquest (from 1987), Cordoba, Fifth Avenue, LeBaron (thru 1981), Newport, New Yorker (thru 1982), Saratoga, Town &amp; Country (thru 1982), Windsor, 300</b>		
	(Set Components) .....	JL69349/JL69310	<b>Wheel Front</b>		
<b>1995 41AE &amp; 41TE Trans.:</b>			<b>1989 Conquest:</b>		
	Bearing (Front) .....	BR13687/BR13621	Seal .....		17736
	Bearing (Rear) .....	BR35	Bearing (Inner) .....		BR6
	(Set Components) .....	LM501349/LM501310	(Set Components) .....		LM67048/LM67010
			Bearing (Outer) .....		BR2
			(Set Components) .....		LM11949/LM11910
			<b>1989-1979 Exc. Conquest:</b>		
			Seal .....		19500
			Bearing (Inner) .....		BR17
			(Set Components) .....		L68149/L68111
			Bearing (Outer) .....		BR2
			(Set Components) .....		LM11949/LM11910
			<b>1988-1987 Conquest:</b>		
			Seal .....		17340
			Bearing (Inner) .....		BR6
			(Set Components) .....		LM67048/LM67010
			Bearing (Outer) .....		BR2
			(Set Components) .....		LM11949/LM11910
			<b>Wheel Front (Cont.)</b>		
			<b>1978-1975 Cordoba &amp; LeBaron:</b>		
			Seal .....		19500
			Bearing (Inner) .....		BR17
			(Set Components) .....		L68149/L68111
			Bearing (Outer) .....		BR2
			(Set Components) .....		LM11949/LM11910
			<b>1978-1974 Exc. Cordoba &amp; LeBaron:</b>		
			Seal .....		20425
			Bearing (Inner) .....		BR11
			(Set Components) .....		JL69349/JL69310
			Bearing (Outer) .....		BR16
			(Set Components) .....		LM12749/LM12711
			<b>1973 All:</b>		
			Seal .....		19500
			Bearing (Inner) .....		BR17
			(Set Components) .....		L68149/L68111
			Bearing (Outer) .....		BR16
			(Set Components) .....		LM12749/LM12711
					(Continued)

**Chrysler (RWD) (Full Size-exc. Imperial), Conquest (from 1987), Cordoba, Fifth Avenue, LeBaron (thru 1981), Newport, New Yorker (thru 1982), Saratoga, Town & Country (thru 1982), Windsor, 300**

MFG./YEAR	MODEL & LOCATION	PART NO.	MFG./YEAR	MODEL & LOCATION	PART NO.
<b>Wheel Front</b>			<b>Wheel Front (Cont.)</b>		
<b>1989 Conquest:</b>			<b>1978-1975 Cordoba &amp; LeBaron:</b>		
	Seal .....	17736	Seal .....		19500
	Bearing (Inner) .....	BR6	Bearing (Inner) .....		BR17
	(Set Components) .....	LM67048/LM67010	(Set Components) .....		L68149/L68111
	Bearing (Outer) .....	BR2	Bearing (Outer) .....		BR2
	(Set Components) .....	LM11949/LM11910	(Set Components) .....		LM11949/LM11910
<b>1989-1979 Exc. Conquest:</b>			<b>1978-1974 Exc. Cordoba &amp; LeBaron:</b>		
	Seal .....	19500	Seal .....		20425
	Bearing (Inner) .....	BR17	Bearing (Inner) .....		BR11
	(Set Components) .....	L68149/L68111	(Set Components) .....		JL69349/JL69310
	Bearing (Outer) .....	BR2	Bearing (Outer) .....		BR16
	(Set Components) .....	LM11949/LM11910	(Set Components) .....		LM12749/LM12711
<b>1988-1987 Conquest:</b>			<b>1973 All:</b>		
	Seal .....	17340	Seal .....		19500
	Bearing (Inner) .....	BR6	Bearing (Inner) .....		BR17
	(Set Components) .....	LM67048/LM67010	(Set Components) .....		L68149/L68111
	Bearing (Outer) .....	BR2	Bearing (Outer) .....		BR16
	(Set Components) .....	LM11949/LM11910	(Set Components) .....		LM12749/LM12711
					(Continued)

## Passenger cars, light & medium trucks

(Cont.) -- Chrysler (RWD) (Full Size-exc. Imperial), Conquest (from 1987), Cordoba, Fifth Avenue, LeBaron (thru 1981), Newport, New Yorker (thru 1982), Saratoga, Town & Country (thru 1982), Windsor, 300

MFG./YEAR	MODEL & LOCATION	PART NO.	MFG./YEAR	MODEL & LOCATION	PART NO.
<b>Wheel Front (Cont.)</b>			<b>Wheel Rear (Cont.)</b>		
<b>1972-1963 All:</b>			<b>1982-1973 8.25" &amp; 9.25" Ring Gears:</b>		
	Seal .....	17110		Seal .....	↯16044
	Bearing (Inner) .....	BR6		(Superseded by:)	16404
	(Set Components) .....	LM67048/LM67010		Bearing .....	R1559-TV
	Bearing (Outer) .....	BR2		(Axle Repair Brg. Assy.) .....	• R1559
	(Set Components) .....	LM11949/LM11910	<b>1972-1965 All:</b>		
<b>1962-1957 All:</b>				Seal (Inner) .....	15460
	Seal .....	17115		Seal (Outer) .....	19000
	Bearing (Inner) .....	BR6		Bearing .....	BR7
	(Set Components) .....	LM67048/LM67010		(Set Components) .....	M201047-S/M201011
	Bearing (Outer) .....	BR2	<b>1964-1963 All:</b>		
	(Set Components) .....	LM11949/LM11910		Seal (Inner) .....	15207
<b>1956 Exc. 7 &amp; 8 Pass. &amp; Estate Wgn.:</b>				Seal (Outer) .....	14780
	Seal .....	17115		Bearing .....	BR25877/BR25821
	Bearing (Inner) .....	BR6	<b>1962-1960 All:</b>		
	(Set Components) .....	LM67048/LM67010		Seal (Inner) .....	15207
	Bearing (Outer) .....	BR2		Seal (Outer) .....	13797
	(Set Components) .....	LM11949/LM11910		Bearing .....	BR25877/BR25821
<b>1956 7 &amp; 8 Pass. &amp; Estate Wgn.:</b>			<b>1959 Exc. 300D:</b>		
	Seal .....	18415		Seal (Inner) .....	15207
	Bearing (Inner) .....	BR5		Seal (Outer) .....	13797
	(Set Components) .....	LM48548/LM48510		Bearing .....	BR25877/BR25821
	Bearing (Outer) .....	BR3	<b>1959 300D:</b>		
	(Set Components) .....	M12649/M12610		Seal (Inner) .....	15207
<b>1955 Exc. 7 &amp; 8 Pass. &amp; Estate Wgn. (Early):</b>				Seal (Outer) .....	15080
	Seal .....	17131		Bearing .....	BR25877/BR25821
	Bearing (Inner) .....	BR15123/BR15245	<b>1958-1957 All:</b>		
	Bearing (Outer) .....	BR09067/BR09195		Seal (Inner) .....	15207
<b>1955 Exc. 7 &amp; 8 Pass. &amp; Estate Wgn. (Late):</b>				Seal (Outer) .....	13797
	Seal .....	17115		Bearing .....	BR25877/BR25821
	Bearing (Inner) .....	BR6	<b>1956-1953 Exc. 7 &amp; 8 Pass. &amp; Estate Wgn.:</b>		
	(Set Components) .....	LM67048/LM67010		Seal (Inner) .....	13892
	Bearing (Outer) .....	BR2		Seal (Outer) .....	13797
	(Set Components) .....	LM11949/LM11910		Bearing .....	BR25877/BR25821
<b>1955-1946 7 &amp; 8 Pass. &amp; Estate Wgn.:</b>			<b>1956-1949 7 &amp; 8 Pass. &amp; Estate Wgn.:</b>		
	Seal .....	18242		Seal (Inner) .....	14423
<b>1954-1953 New Yorker:</b>				Seal (Outer) .....	14359
	Seal .....	17131		Bearing .....	BR2780/2735-X
	Bearing (Inner) .....	BR15123/BR15245	<b>1952-1951 Exc. New Yorker, 7 &amp; 8 Pass. &amp; Estate Wgn.:</b>		
	Bearing (Outer) .....	BR09067/BR09195		Seal (Inner) .....	17115
<b>1954-1951 Saratoga &amp; Windsor:</b>				Seal (Outer) .....	13797
	Seal .....	17131		Bearing .....	BR25877/BR25821
	Bearing (Inner) .....	BR15123/BR15245	<b>1952-1951 New Yorker:</b>		
	Bearing (Outer) .....	BR09067/BR09195		Seal (Inner) .....	14423
<b>1952-1951 New Yorker:</b>				Seal (Outer) .....	13797
	Seal .....	18242		Bearing .....	BR25877/BR25821
<b>Wheel Rear</b>			<b>Pinion</b>		
<b>1989-1987 Conquest:</b>			<b>1989-1988 Conquest:</b>		
	Seal .....	15850		Seal .....	17667
	Bearing (Inner) .....	6206-RSJ		(Speedi-Sleeve) .....	99177
	Bearing (Outer) .....	6207-RSJ		Bearing (Front) .....	M88043/M88010
<b>1989-1983 Exc. Conquest:</b>				Bearing (Rear) .....	HM89449/HM89410
	Seal .....	↯16044	<b>1989-1988 8.25" Ring Gear:</b>		
	(Superseded by:)	16404		Seal .....	16805
	Bearing .....	R1559-TV		(Speedi-Sleeve) .....	99168
	(Axle Repair Brg. Assy.) .....	• R1559		Bearing (Front) .....	M86649/M86610
<b>1982-1977 7.25" Ring Gear:</b>				Bearing (Rear) .....	M802048/M802011
	Seal .....	13992			(Continued)
	Sealed Bearing w/Lock Ring .....	RWC35-YYR			

**Chrysler (RWD) (Full Size-exc. Imperial), Conquest (from 1987), Cordoba, Fifth Avenue, LeBaron (thru 1981), Newport, New Yorker (thru 1982), Saratoga, Town & Country (thru 1982), Windsor, 300 -- (Cont.)**

MFG./YEAR	MODEL & LOCATION	PART NO.	MFG./YEAR	MODEL & LOCATION	PART NO.
<b>Pinion (Cont.)</b>			<b>Pinion (Cont.)</b>		
1989-1977	7.25" Ring Gear:		1956-1951	Windsor:	
	Seal .....	16805		Seal .....	18880
	(Speedi-Sleeve) .....	99168		(Speedi-Sleeve) .....	99187
	Bearing (Front) .....	M86649/M86610		Bearing (Front) .....	HM89443/HM89410
	Bearing (Rear) .....	HM88649/HM88610		Bearing (Rear) .....	HM89446/HM89410
1987	Conquest:		1954-1951	New Yorker & Saratoga:	
	Seal .....	17667		Seal .....	22610
	(Speedi-Sleeve) .....	99177		(Speedi-Sleeve) .....	99225
	Bearing (Front) .....	BR52	1954-1951	7 & 8 Pass. & Estate Wgn.:	
	(Set Components) .....	M88048/M88010		Seal .....	22610
	Bearing (Rear) .....	HM89448/HM89410		(Speedi-Sleeve) .....	99225
1987-1972	8.25" Ring Gear:		<b>Differential</b>		
	Seal .....	16805	1989-1987	Conquest From 11/1/87:	
	(Speedi-Sleeve) .....	99168		Bearing .....	[2] KC11445-Y
	Bearing (Front) .....	M86649/M86610		(Set Components) .....	BR17887/BR17831
	Bearing (Rear) .....	M802048/M802011	1989-1977	7.25" Ring Gear:	
1981-1973	9.25" Ring Gear:			Bearing .....	[2] BR35
	Seal .....	18708		(Set Components) .....	LM501349/LM501310
	(Speedi-Sleeve) .....	99187	1989-1975	8.25" Ring Gear:	
	Bearing (Front) .....	BR52		Bearing .....	[2] BR36
	(Set Components) .....	M88048/M88010		(Set Components) .....	LM603049/LM603012
	Bearing (Rear) .....	M804049/M804010	1987	Conquest Thru 10/31/87:	
1973-1970	8.75" Ring Gear w/1.875" Pinion Sh.:			Seal .....	13973
	Seal .....	18708		(Speedi-Sleeve) .....	99139
	(Speedi-Sleeve) .....	99187		Bearing .....	[2] KC11445-Y
	Bearing (Front) .....	BR52		(Set Components) .....	BR17887/BR17831
	(Set Components) .....	M88048/M88010	1981-1973	9.25" Ring Gear:	
	Bearing (Rear) .....	M804049/M804010		Bearing .....	[2] JLM704649/JLM704610
1973-1966	8.75" Ring Gear Exc. 1.75" Pinion Sh.:		1974-1972	8.25" Ring Gear:	
	Seal .....	18708		Bearing .....	[2] BR50
	(Speedi-Sleeve) .....	99187		(Set Components) .....	LM102949/LM102910
	Bearing (Front) .....	BR52	1973-1968	8.75" Ring Gear:	
	(Set Components) .....	M88048/M88010		Bearing .....	[2] LM104949/LM104912
	Bearing (Rear) .....	HM89446/HM89410	1967-1958	8.75" Ring Gear:	
1969-1966	8.75" Ring Gear w/1.75" Pinion Sh.:			Bearing .....	[2] BR25590/BR25520
	Seal .....	18912	1962-1960	8.25" Ring Gear:	
	(Speedi-Sleeve) .....	99187		Bearing .....	[2] BR25580/BR25520
	Bearing (Front) .....	HM89443/HM89410	1957-1946	All:	
	Bearing (Rear) .....	HM803149/HM803110		Bearing .....	[2] BR25580/BR25520
1965-1957	8.75" Ring Gear:		<b>Kit</b>		
	Seal .....	18912	1983-1977	7.25 " Ring Gear:	
	(Speedi-Sleeve) .....	99187		Standard Seal and Bearing Kit Rear .....	SDK302
	Bearing (Front) .....	HM89443/HM89410	1983-1972	8.25 " & 8.375 " Ring Gear:	
	Bearing (Rear) .....	HM803149/HM803110		Standard Seal and Bearing Kit Rear .....	SDK303
1962-1960	8.25" Ring Gear:			Master Seal and Bearing Kit Rear .....	SDK303-MK
	Seal .....	18708	1980-1972	9.25 " Ring Gear:	
	(Speedi-Sleeve) .....	99187		Standard Seal and Bearing Kit Rear .....	SDK304
	Bearing (Front) .....	BR52		Master Seal and Bearing Kit Rear .....	SDK304-MK
	(Set Components) .....	M88048/M88010	1977-1969	8.75 " w/1.875 " Pin. Shaft O.D. Ring Gear:	
	Bearing (Rear) .....	HM89446/HM89410		Standard Seal and Bearing Kit Rear .....	SDK301
1956-1955	New Yorker, 7 & 8 Pass. & Estate Wgn.:		1968-1957	8.75 " w/1.75 " Pin. Shaft O.D. Ring Gear:	
	Seal .....	21336		Standard Seal and Bearing Kit Rear .....	SDK300
	(Speedi-Sleeve) .....	99212	<b>Clutch</b>		
	Bearing (Front) .....	HM801346/HM801310	<b>Pilot</b>		
	Bearing (Rear) .....	HM803149/HM803110	1989-1987	Conquest:	
				Bearing .....	6002-2RSJ
			1979-1946	All:	
				Bearing .....	B286
					(Continued)



## Passenger cars, light & medium trucks

(Cont.) -- Chrysler (RWD) (Full Size-exc. Imperial), Conquest (from 1987), Cordoba, Fifth Avenue, LeBaron (thru 1981), Newport, New Yorker (thru 1982), Saratoga, Town & Country (thru 1982), Windsor, 300

MFG./YEAR	MODEL & LOCATION	PART NO.	MFG./YEAR	MODEL & LOCATION	PART NO.
<b>Clutch (Cont.)</b>			<b>Transmission-Automatic (Cont.)</b>		
<b>Release</b>			<b>Rear (Cont.)</b>		
1989	Conquest:		1987-1973	A904 & A941 Trans.:	
	Bearing Assembly .....	N4053		Seal .....	15546
1988-1987	Conquest TSi I/C Turbo:			(Speedi-Sleeve) .....	99156
	Bearing Assembly .....	N4053	1972	A904 & A941 Trans. Exc. Trans. No. 3681061,	
1988-1987	Conquest w/Turbo Exc. TSi:			063:	
	Bearing Assembly .....	N4030		Seal .....	15535
1979-1977	LeBaron w/225 & 318 Engs.:			(Speedi-Sleeve) .....	99156
	Bearing Only .....	N1054	1972	A904 & A941 Trans. w/Trans. No. 3681061,	
	Bearing Assembly .....	N1463		063:	
	(Self-Aligning) .....	N1463-SA		Seal .....	15546
1968-1967	11" Clutch w/o 440 Eng.:			(Speedi-Sleeve) .....	99156
	Bearing Only .....	N1054	1971-1963	All:	
1968-1967	11" Clutch w/440 Eng.:			Seal .....	15535
	Bearing Only .....	N1181		(Speedi-Sleeve) .....	99156
1968-1963	Exc. 11" Clutch:		1962-1961	All:	
	Bearing Only .....	N1054		Seal .....	15620
	Bearing Assembly .....	N1463		(Speedi-Sleeve) .....	99156
	(Self-Aligning) .....	N1463-SA	1960	All:	
1966-1963	11" Clutch w/o 426 Eng.:			Seal .....	13535
	Bearing Only .....	N1054		(Speedi-Sleeve) .....	99138
1966-1963	11" Clutch w/426 Eng.:		1959-1957	Torque-Flite Trans.:	
	Bearing Only .....	N1181		Seal .....	15620
1962-1960	All:			(Speedi-Sleeve) .....	99156
	Bearing Only .....	N1054	<b>Shift Shaft</b>		
	Bearing Assembly .....	N1463	1956-1953	Power-Flite Trans.:	
	(Self-Aligning) .....	N1463-SA		Seal .....	◇6315
<b>Transmission-Automatic</b>				(Superseded by:) .....	6925
<b>Front Pump</b>				(Speedi-Sleeve) .....	99062
1989-1988	A999 Trans.:		<b>Torque Converter</b>		
	Seal .....	15022	1953-1952	6 Cyl. Eng.:	
	(Speedi-Sleeve) .....	99149		Seal (Inner) .....	16117
1989-1987	JM600 Trans.:			(Speedi-Sleeve) (Inner) .....	99162
	Seal .....	16517		Seal (Outer) .....	21103
	(Speedi-Sleeve) .....	99169		(Speedi-Sleeve) (Outer) .....	99212
1989-1968	A727 Trans.:		1953-1951	8 Cyl. Eng.:	
	Seal .....	18508		Seal (Inner) .....	13671
1987-1968	A904 Trans.:			(Speedi-Sleeve) (Inner) .....	99138
	Seal .....	15022		Seal (Outer) .....	16816
	(Speedi-Sleeve) .....	99149		(Speedi-Sleeve) (Outer) .....	99168
1967-1960	All:		<b>Transmission-Manual</b>		
	Seal .....	18508	<b>Countershaft</b>		
1959-1951	All:		1989-1987	KM132 Trans.:	
	Seal .....	21098		Bearing (Front) .....	30205-X
	(Speedi-Sleeve) .....	99212		Bearing (Center) .....	30205-X
<b>Rear</b>			1957-1946	All:	
1989-1988	A999 Trans.:			Bearing .....	[14] C1086-Q
	Seal .....	15546	<b>Front</b>		
	(Speedi-Sleeve) .....	99156	1989-1988	KM132 Trans.:	
1989-1987	JM600 Trans.:			Seal .....	11592
	Seal .....	14716		(Speedi-Sleeve) .....	99114
	(Speedi-Sleeve) .....	99147		Bearing (Front) .....	6307-VSP35
1989-1965	A727 Trans.:			Bearing (Rear) .....	BR3507
	Seal .....	16725	1987	KM132 Trans. w/o I/C:	
	(Speedi-Sleeve) .....	99168		Seal .....	11592
	(Speedi-Sleeve/Seal Kit) .....	480168		(Speedi-Sleeve) .....	99114
	Bearing .....	■ 6207-VSP55		Bearing (Front) .....	307-NRJ
			(Continued)		

**Chrysler (RWD) (Full Size-exc. Imperial), Conquest (from 1987), Cordoba, Fifth Avenue, LeBaron (thru 1981), Newport, New Yorker (thru 1982), Saratoga, Town & Country (thru 1982), Windsor, 300 -- (Cont.)**

MFG./YEAR	MODEL & LOCATION	PART NO.	MFG./YEAR	MODEL & LOCATION	PART NO.
<b>Transmission-Manual (Cont.)</b>			<b>Transmission-Manual (Cont.)</b>		
<b>Front (Cont.)</b>			<b>Rear (Cont.)</b>		
1987	KM132 Trans. w/I/C:		1956-1955	All:	
	Seal .....	11592		Seal .....	15620
	(Speedi-Sleeve) .....	99114		(Speedi-Sleeve) .....	99156
	Bearing (Rear) .....	BR3507		Bearing .....	207-J
1979-1977	LeBaron w/4 Spd. Trans.:		1954-1946	All:	
	Seal .....	10515		Seal .....	15620
	(Speedi-Sleeve) .....	99106		(Speedi-Sleeve) .....	99156
	Bearing .....	■ 6307-NJ	<b>Reverse Idler</b>		
1968	All:		1968-1961	3 Spd. Trans.:	
	Seal .....	10515		Bearing .....	[22] C1086-Q
	(Speedi-Sleeve) .....	99106	1956-1946	All:	
1967-1960	All:			Bearing .....	[22] C1086-Q
	Seal .....	10515	<b>Shift Shaft</b>		
	(Speedi-Sleeve) .....	99106	1989-1986	KM132 Trans.:	
	Bearing .....	6307-NRJ		Seal .....	7003
1959-1956	All:			(Speedi-Sleeve) .....	99082
	Bearing .....	207-NRJ	1968-1960	All:	
<b>Mainshaft Extension</b>				Seal .....	6141
1956-1946	All:			(Speedi-Sleeve) .....	99062
	Bearing .....	6206-J	<b>Air Conditioning Clutch</b>		
<b>Mainshaft Pilot</b>			1984-1982	All:	
1979-1977	LeBaron w/4 Spd. Trans.:			Bearing .....	5206-A2RS
	Bearing .....	[16] QBR23549	1981-1958	8 Cyl. Eng.:	
1968-1964	4 Spd. Trans.:			Bearing .....	5206-A2RS
	Bearing .....	[16] QBR23549	<b>Air Conditioning Compressor</b>		
1968-1961	3 Spd. Trans.:		1969-1958	V2 Comp.:	
	Bearing .....	[15] QBR23549		Bearing (Front) .....	6205-J
<b>Rear</b>			<b>Alternator</b>		
1989-1987	KM132 Trans.:		1989-1987	2.6L Eng.:	
	Seal .....	14017		Bearing (Front) .....	6302-2RSJ
	(Speedi-Sleeve) .....	99146	1989-1975	w/o 100 & 114 Amp.:	
1979-1977	A727 & A904 Trans.:			Bearing (Front) .....	6203-2RSJ
	Seal .....	15546		Bearing (Rear) .....	MNJ471-S
	(Speedi-Sleeve) .....	99156	1989-1975	100 & 114 Amp.:	
	Bearing .....	■ 6307-NJ		Bearing (Front) .....	6203-2ZJ
1968-1966	A745 & A833 Trans.:		1974-1963	All:	
	Seal (w/Boot) .....	16725		Bearing (Front) .....	6203-2RSJ
	(Speedi-Sleeve) (w/Boot) .....	99168		Bearing (Rear) .....	MNJ471-S
	(Speedi-Sleeve) /Seal Kit (w/Boot) .....	480168	1962-1961	All:	
	Bearing .....	307-J		Bearing (Front) .....	6203-ZJ
1968-1966	A903 Trans.:			Bearing (Rear) .....	MNJ471-S
	Seal .....	15535	1960	All:	
	(Speedi-Sleeve) .....	99156		Bearing .....	[2] 6203-J
	Bearing .....	307-J	<b>Engine</b>		
1965-1963	A745 & A833 Trans.:		<b>Crankshaft-Rear</b>		
	Seal .....	15620	1989	318 (5.2L) Eng.:	
	(Speedi-Sleeve) .....	99156		Seal Kit .....	212
	Bearing .....	307-J	1989-1986	2.6L Eng.:	
1965-1963	A903 Trans.:			Seal .....	31506
	Seal .....	13535		(Speedi-Sleeve) .....	99317
	(Speedi-Sleeve) .....	99138	1988-1970	318 (5.2L) Eng.:	
	Bearing .....	307-J		Seal Kit .....	212
1962-1960	All:		1980-1971	360 (5.9L) Eng.:	
	Seal .....	13535		Seal Kit .....	214
	(Speedi-Sleeve) .....	99138			(Continued)
	Bearing .....	307-J			

## Passenger cars, light & medium trucks

(Cont.) -- Chrysler (RWD) (Full Size-exc. Imperial), Conquest (from 1987), Cordoba, Fifth Avenue, LeBaron (thru 1981), Newport, New Yorker (thru 1982), Saratoga, Town & Country (thru 1982), Windsor, 300

MFG./YEAR	MODEL & LOCATION	PART NO.	MFG./YEAR	MODEL & LOCATION	PART NO.
<b>Engine (Cont.)</b>			<b>Generator (Cont.)</b>		
<b>Crankshaft-Rear (Cont.)</b>			<b>Rear</b>		
1958-1957	Saratoga & Windsor:		1959-1958	H.D.:	
	Seal Kit .....	212		Bearing .....	6303-J
1956-1955	All:		1958	w/o H.D.:	
	Seal Kit .....	212		Bearing .....	6203-J
1954-1951	8 Cyl. Eng.:		1957-1956	H.D.:	
	Seal Kit .....	212		Bearing .....	6203-J
<b>Timing Cover</b>			<b>Steering-Power</b>		
1989-1988	3.0L Eng.:		<b>Pitman Shaft</b>		
	Seal .....	14671	1988-1955	All:	
1989-1987	2.6L Eng.:			Seal .....	12350
	Seal .....	11671	1954-1951	Co-Axial Type:	
	(Speedi-Sleeve) .....	99218		Seal .....	12350
	(Speedi-Sleeve) .....	99114	1952-1951	w/o Co-Axial Type:	
1989-1979	8 Cyl. Eng.:			Seal (Inner) .....	13537
	Seal .....	21944	<b>Pump Shaft</b>		
	(Speedi-Sleeve) .....	99218	1988-1969	Key Slotted Sh.:	
	(Speedi-Sleeve/Seal Kit) .....	480219		Seal .....	7475
1983-1979	225 (3.7L) Eng.:		1968-1961	All:	
	Seal .....	22425		Seal .....	6767
	(Speedi-Sleeve) .....	99225	1960-1959	All:	
1978-1977	318 (5.2L) & 360 (5.9L) Eng.:			Seal .....	6767
	Seal .....	21944	1958	Federal Pump:	
	(Speedi-Sleeve) .....	99218		Seal .....	6767
	(Speedi-Sleeve/Seal Kit) .....	480219	1958	Thompson Pump:	
1978-1976	400 & 440 Eng.:			Seal .....	6729
	Seal .....	21820	<b>Worm Shaft</b>		
	(Speedi-Sleeve) .....	99218	1988-1978	All:	
1976	318 (5.2L) & 360 (5.9L) Eng.:			Seal .....	6139
	Seal .....	21820	1977-1962	All:	
	(Speedi-Sleeve) .....	99218		Seal .....	6141
1975	8 Cyl. Eng.:		<b>Steering-Standard</b>		
	Seal .....	21944	<b>Pitman Shaft</b>		
	(Speedi-Sleeve) .....	99218	1970-1955	All:	
	(Speedi-Sleeve/Seal Kit) .....	480219		Seal .....	12350
1974-1973	8 Cyl. Eng. From 12/4/72:		1954-1951	All:	
	Seal .....	21820		Seal .....	12334
	(Speedi-Sleeve) .....	99218	<b>Worm Shaft</b>		
1973-1959	8 Cyl. Eng. Thru 12/3/72:		1970-1962	All:	
	Seal .....	21944		Seal .....	7412
	(Speedi-Sleeve) .....	99218	1958-1949	All:	
	(Speedi-Sleeve/Seal Kit) .....	480219		Seal .....	8648
1954-1951	6 Cyl. Eng. Exc. Canadian:		<b>Generator</b>		
	Seal (Rubber) .....	21820	<b>Front</b>		
	(Speedi-Sleeve) (Rubber) .....	99218	1959-1956	H.D.:	
1953-1951	6 Cyl. Canadian Eng.:			Bearing .....	6204-J
	Seal (Rubber) .....	21820	1959-1946	w/o H.D.:	
	(Speedi-Sleeve) (Rubber) .....	99218		Bearing .....	6203-J
1950-1946	Exc. Canadian Eng.:				
	Seal .....	21820			
	(Speedi-Sleeve) .....	99218			
1950-1946	Canadian Eng.:				
	Seal .....	21820			
	(Speedi-Sleeve) .....	99218			

**Chrysler (RWD) Crown, Imperial (thru 1983)**

MFG./YEAR	MODEL & LOCATION	PART NO.	MFG./YEAR	MODEL & LOCATION	PART NO.
<b>Wheel Front</b>			<b>Pinion</b>		
<b>1983-1981 All:</b>			<b>1983-1981 7.25" Ring Gear:</b>		
Seal		19500	Seal		16805
Bearing (Inner)		BR17	(Speedi-Sleeve)		99168
(Set Components)	L68149/L68111		Bearing (Front)		M86649/M86610
Bearing (Outer)		BR2	Bearing (Rear)		HM88649/HM88610
(Set Components)	LM11949/LM11910		<b>1983-1981 8.25" Ring Gear:</b>		
<b>1975-1974 All:</b>			<b>Seal</b>		
Seal		20425	(Speedi-Sleeve)		99168
Bearing (Inner)		BR11	Bearing (Front)		M86649/M86610
(Set Components)	JL69349/JL69310		Bearing (Rear)		M802048/M802011
Bearing (Outer)		BR16	<b>1975-1974 All:</b>		
(Set Components)	LM12749/LM12711		Seal		18708
<b>1973-1956 All:</b>			(Speedi-Sleeve)		99187
Seal		18415	Bearing (Front)		BR52
Bearing (Inner)		BR5	(Set Components)	M88048/M88010	
(Set Components)	LM48548/LM48510		Bearing (Rear)		M804049/M804010
Bearing (Outer)		BR3	<b>1973-1970 8.75" Ring Gear w/1.375" Pinion Sh.:</b>		
(Set Components)	M12649/M12610		Seal		18708
<b>1955-1951 Exc. Crown:</b>			(Speedi-Sleeve)		99187
Seal		18242	Bearing (Front)		BR52
Bearing		BR2585/BR2523	(Set Components)	M88048/M88010	
<b>Wheel Rear</b>			Bearing (Rear)		HM89446/HM89410
<b>1983-1981 All:</b>			<b>1973-1970 8.75" Ring Gear w/1.875" Pinion Sh.:</b>		
Seal		↗16044	Seal		18708
(Superseded by:)		16404	(Speedi-Sleeve)		99187
Bearing		R1559-TV	Bearing (Front)		BR52
(Axle Repair Brg. Assy.)		• R1559	(Set Components)	M88048/M88010	
<b>1975-1974 All:</b>			Bearing (Rear)		M804049/M804010
Seal		↗16044	<b>1969-1968 8.75" Ring Gear Exc. 1.75" Pinion Sh.:</b>		
(Superseded by:)		16404	Seal		18708
Bearing		R1559-TV	(Speedi-Sleeve)		99187
(Axle Repair Brg. Assy.)		• R1559	Bearing (Front)		BR52
<b>1973-1965 All:</b>			(Set Components)	M88048/M88010	
Seal (Inner)		15460	Bearing (Rear)		M804049/M804010
Seal (Outer)		19000	<b>1969-1968 8.75" Ring Gear w/1.75" Pinion Sh.:</b>		
Bearing		BR7	Seal		18912
(Set Components)	M201047-S/M201011		(Speedi-Sleeve)		99187
<b>1964-1963 All:</b>			Bearing (Front)		BR52
Seal (Inner)		15207	(Set Components)	M88048/M88010	
Seal (Outer)		14780	Bearing (Rear)		HM89446/HM89410
Bearing		BR2788/2735-X	<b>1967-1957 All:</b>		
<b>1962-1960 All:</b>			Seal		18912
Seal (Inner)		15207	(Speedi-Sleeve)		99187
Seal (Outer)		13979	Bearing (Front)		HM89443/HM89410
Bearing		BR2788/2735-X	Bearing (Rear)		HM803149/HM803110
<b>1959-1957 All:</b>			<b>1956-1955 Exc. Crown:</b>		
Seal (Inner)		15207	Seal		21336
Seal (Outer)		15080	(Speedi-Sleeve)		99212
Bearing		BR2788/2735-X	Bearing (Front)		HM801346/HM801310
<b>1956-1946 Exc. Crown:</b>			Bearing (Rear)		HM803149/HM803110
Seal (Inner)		14423	<b>1956-1953 Crown:</b>		
Seal (Outer)		14359	Bearing (Front)		HM89443/HM89410
Bearing		BR2788/2735-X	Bearing (Rear)		BR59187/BR59412
<b>1956-1946 Crown:</b>			<b>1954-1951 Exc. Crown:</b>		
Seal (Inner)		15707	Seal		22610
Seal (Outer)		15719	(Speedi-Sleeve)		99225
			<b>1952-1951 Crown:</b>		
			Seal		18924
			(Speedi-Sleeve)		99187

(Continued)

# Passenger cars, light & medium trucks

## (Cont.) -- Chrysler (RWD) Crown, Imperial (thru 1983)

MFG./YEAR	MODEL & LOCATION	PART NO.	MFG./YEAR	MODEL & LOCATION	PART NO.
<b>Differential</b>			<b>Transmission-Automatic (Cont.)</b>		
<b>1983-1981 7.25" Ring Gear:</b>			<b>Rear (Cont.)</b>		
	Bearing .....	[2] BR35	<b>1975-1966 A727 Trans.:</b>		
	(Set Components) .....	LM501349/LM501310	Seal .....		16725
<b>1983-1981 8.25" Ring Gear:</b>			(Speedi-Sleeve) .....		99168
	Bearing .....	[2] BR36	(Speedi-Sleeve/Seal Kit) .....		480168
	(Set Components) .....	LM603049/LM603012	Bearing .....		■ 6207-VSP55
<b>1975-1974 All:</b>			<b>1972 A904 &amp; A941 Trans. Exc. Trans. No. 3681061,</b>		
	Bearing .....	[2] JLM704649/JLM704610	063:		
<b>1973-1969 All:</b>			Seal .....		15546
	Bearing .....	[2] LM104949/LM104912	(Speedi-Sleeve) .....		99156
<b>1968-1958 All:</b>			Bearing .....		■ 6207-VSP55
	Bearing .....	[2] BR25590/BR25520	<b>1972 A904 &amp; A941 Trans. w/Trans. No. 3681061,</b>		
<b>1956-1955 Crown:</b>			063:		
	Bearing .....	[2] BR33891/BR33821	Seal .....		15535
<b>1956-1953 Exc. Crown:</b>			(Speedi-Sleeve) .....		99156
	Bearing .....	[2] BR25580/BR25520	Bearing .....		■ 6207-VSP55
<b>Kit</b>			<b>1971-1963 A904 Trans.:</b>		
<b>1975-1974 9.25 " Ring Gear:</b>			Seal .....		15535
	Standard Seal and Bearing Kit Rear .....	SDK304	(Speedi-Sleeve) .....		99156
	Master Seal and Bearing Kit Rear .....	SDK304-MK	Bearing .....		■ 6207-VSP55
<b>1975-1971 8.25 " &amp; 8.375 " Ring Gear:</b>			<b>1962-1946 All:</b>		
	Standard Seal and Bearing Kit Rear .....	SDK303	Seal .....		15620
	Master Seal and Bearing Kit Rear .....	SDK303-MK	(Speedi-Sleeve) .....		99156
<b>1974-1969 8.75 " w/1.875 " Pin. Shaft O.D. Ring Gear:</b>			<b>Shift Shaft</b>		
	Standard Seal and Bearing Kit Rear .....	SDK301	<b>1975-1972 All:</b>		
<b>1968-1957 8.75 " w/1.75 " Pin. Shaft O.D. Ring Gear:</b>			Seal .....		8017
	Standard Seal and Bearing Kit Rear .....	SDK300	<b>1956-1953 Power-Flite Trans.:</b>		
<b>Transmission-Automatic</b>			Seal .....		◇6315
<b>Front Pump</b>			(Superseded by:)		6925
<b>1983-1981 A727 Trans.:</b>			(Speedi-Sleeve) .....		99062
	Seal .....	18508	<b>1954-1949 w/o Power-Flite Trans.:</b>		
<b>1983-1968 A904 Trans.:</b>			Seal .....		8648
	Seal .....	15022	(Speedi-Sleeve) .....		99087
	(Speedi-Sleeve) .....	99149	<b>Torque Converter</b>		
<b>1975-1968 A727 Trans.:</b>			<b>1953-1951 Power-Flite Trans.:</b>		
	Seal .....	18508	Seal (Inner) .....		13671
<b>1967-1962 All:</b>			(Speedi-Sleeve) (Inner) .....		99138
	Seal .....	18508	Seal (Outer) .....		16816
<b>1961 All:</b>			(Speedi-Sleeve) (Outer) .....		99168
	Seal .....	18508	<b>Air Conditioning Clutch</b>		
<b>1960 All:</b>			<b>1983-1981 All:</b>		
	Seal .....	21103	Bearing .....		5206-A2RS
	(Speedi-Sleeve) .....	99212	<b>1975-1958 All:</b>		
<b>1959-1953 All:</b>			Bearing .....		5206-A2RS
	Seal .....	21098	<b>Air Conditioning Compressor</b>		
	(Speedi-Sleeve) .....	99212	<b>Front</b>		
<b>Mainshaft Extension</b>			<b>1964 w/o V2 Comp.:</b>		
<b>1956-1953 Power-Flite Trans.:</b>			Bearing .....		6205-J
	Bearing .....	6206-J	<b>1963-1958 All:</b>		
<b>Rear</b>			Bearing .....		6205-J
<b>1983-1981 A727 Trans.:</b>			<b>Alternator</b>		
	Seal .....	16725	<b>1983-1981 w/o 114 Amp.:</b>		
	(Speedi-Sleeve) .....	99168	Bearing (Front) .....		6203-2RSJ
	(Speedi-Sleeve/Seal Kit) .....	480168	Bearing (Rear) .....		MNJ471-S
	Bearing .....	■ 6207-VSP55	<b>1983-1981 114 Amp.:</b>		
<b>1983-1981 A904 Trans.:</b>			Bearing (Front) .....		6203-2ZJ
	Seal .....	15546	Bearing (Rear) .....		MNJ471-S
	(Speedi-Sleeve) .....	99156	<b>1975 w/o 100 Amp.:</b>		
<b>1975-1973 A904 Trans.:</b>			Bearing (Front) .....		6203-2RSJ
	Seal .....	15546	Bearing (Rear) .....		MNJ471-S
	(Speedi-Sleeve) .....	99156			(Continued)
	Bearing .....	■ 6207-VSP55			

**Chrysler (RWD) Crown, Imperial (thru 1983) -- (Cont.)**

MFG./YEAR	MODEL & LOCATION	PART NO.	MFG./YEAR	MODEL & LOCATION	PART NO.
<b>Alternator (Cont.)</b>			<b>Generator</b>		
1975	100 Amp.:		1959-1956	H.D.:	
	Bearing (Front) .....	6203-2ZJ		Bearing (Front) .....	6204-J
1974-1963	All:			Bearing (Rear) .....	6203-J
	Bearing (Front) .....	6203-2RSJ	<b>Steering-Power</b>		
	Bearing (Rear) .....	MNJ471-S	<b>Pitman Shaft</b>		
1962-1961	All:		1983-1981	All:	
	Bearing (Front) .....	6203-J		Seal .....	12350
	Bearing (Rear) .....	MNJ471-S	1975-1955	All:	
1960	w/o 40 Amp.:			Seal .....	12350
	Bearing (Front) .....	6203-J	1954	All:	
	Bearing (Rear) .....	MNJ471-S		Seal (Inner) .....	12350
1960	6.8L Eng. w/40 Amp.:		1953	All:	
	Bearing (Front) .....	6303-J		Seal (Inner) .....	13537
	Bearing (Rear) .....	MNJ471-S	1952	Early:	
<b>Drive Shaft</b>				Seal (Inner) .....	13536
1966-1965	All:		1952	Late:	
	Bearing .....	6908-VAL		Seal (Inner) .....	13537
1964-1956	All:		<b>Pump Shaft</b>		
	Bearing .....	6007-2RSJ	1983-1981	All:	
1955-1953	All:			Seal .....	7475
	Bearing .....	6206-2RSJ	1975-1969	All:	
1952-1946	All:			Seal .....	6229
	Bearing .....	6207-ZJ	1968-1961	All:	
<b>Engine</b>				Seal .....	8019
<b>Crankshaft-Rear</b>			1960-1959	All:	
1983-1981	318 (5.2L) Eng.:			Seal .....	6767
	Seal Kit .....	212	1958	Federal Pump:	
1959-1946	All:			Seal .....	6767
	Seal Kit .....	212	1958	Thompson Pump:	
<b>Timing Cover</b>				Seal .....	6729
1983-1981	318 (5.2L) Eng.:		1957-1955	All:	
	Seal .....	21944		Seal .....	7440
	(Speedi-Sleeve) .....	99218	1954-1946	Single Rotor Type:	
	(Speedi-Sleeve/Seal Kit) .....	480219		Seal .....	7440
1975	All:		<b>Worm Shaft</b>		
	Seal .....	21944	1983-1981	All:	
	(Speedi-Sleeve) .....	99218		Seal .....	6141
	(Speedi-Sleeve/Seal Kit) .....	480219	1975-1958	All:	
1974-1973	From 12/4/72:			Seal .....	6141
	Seal .....	21820			
	(Speedi-Sleeve) .....	99218			
1973-1959	Thru 12/3/72:				
	Seal .....	21944			
	(Speedi-Sleeve) .....	99218			
	(Speedi-Sleeve/Seal Kit) .....	480219			

**Chrysler (Canadian Models) Daytona, Dynasty, Intrepid, Neon**

**Wheel Front**

1995-1993	Intrepid:	
	Hub Assembly (Kit) .....	BR930190K
1993-1991	Daytona:	
	Hub Assembly .....	BR930013
1993-1989	Dynasty:	
	Seal .....	21962
	Hub Assembly .....	BR930013
1990-1989	Daytona w/Rr. Drum Brks. & 4 Stud Hub:	
	Seal .....	21962
	Hub Assembly .....	BR930001

**Wheel Front (Cont.)**

1990-1989	Daytona w/Rr. Drum Brks. & 5 Stud Hub:	
	Seal .....	21962
	Hub Assembly .....	BR930002
1990-1989	Daytona w/4 Whl. Disc Brks.:	
	Seal .....	21962
	Hub Assembly .....	BR930013
1988-1984	w/4 Lug Whls.:	
	Seal .....	21962
	Hub Assembly .....	BR930001

(Continued)

## Passenger cars, light & medium trucks

### (Cont.) -- Chrysler (Canadian Models) Daytona, Dynasty, Intrepid, Neon

MFG./YEAR	MODEL & LOCATION	PART NO.	MFG./YEAR	MODEL & LOCATION	PART NO.
<b>Wheel Front (Cont.)</b>			<b>Wheel Rear (Cont.)</b>		
1988-1984 w/5 Lug Whls.:			1993-1984 Daytona & Dynasty:		
	Seal .....	21962		Seal .....	16599
	Hub Assembly .....	BR930002		Bearing (Inner) .....	BR39
<b>Wheel Rear</b>				Bearing (Outer) .....	BR16
1995-1993 Intrepid w/ABS:				(Set Components) .....	LM12749/LM12711
	Hub Assembly .....	BR930189			
1995-1993 Intrepid w/o ABS:					
	Hub Assembly .....	BR930188			

## Daewoo

### Engine

#### Timing Belt Tensioner

1995-1994 Nexia:	
Bearing & Housing Assy. ....	VKM80000

## Daihatsu

### Wheel Front

1992-1990 Charade:	
Bearing .....	FW12
1992-1990 Rocky:	
Seal (Inner) .....	16503
Seal (Outer) .....	21624
Bearing (Inner) .....	32008-X
Bearing (Outer) .....	BR32007
1989-1988 Charade:	
Bearing .....	FW14

### Wheel Rear

1992-1990 Rocky:	
Seal (Inner) .....	20408
Seal (Outer) .....	19603
1992-1988 Charade:	
Seal (Outer) .....	20420
Bearing (Inner) .....	6205-RSJ
Bearing (Outer) .....	6303-J

### Differential

1991-1988 Charade:	
Bearing .....	32008-X

### Transaxle-Automatic

#### Front Pump

1992-1988 Charade:	
Seal .....	17736
(Speedi-Sleeve) .....	99177

#### Output Shaft

1992-1988 Charade:	
Seal .....	14006
(Speedi-Sleeve) .....	99139

### Steering-Standard

#### Pitman Shaft

1991-1988 Charade:	
Bearing .....	6202-J

## Delorean

### Transaxle-Automatic

#### Front Pump

1981 All:	
Seal .....	11611
(Speedi-Sleeve) .....	99114

#### Output Shaft

1981 All:	
Seal .....	17762
(Speedi-Sleeve) .....	99177

#### Torque Converter

1981 All:	
Seal .....	18671
(Speedi-Sleeve) .....	99187

### Transaxle-Manual

#### Output Shaft

1981 All:	
Seal .....	16509
(Speedi-Sleeve) .....	99169

### Engine

#### Crankshaft-Rear

1981 All:	
Seal .....	31511
(Speedi-Sleeve) .....	99317
	(Continued)

**Delorean -- (Cont.)**

MFG./YEAR	MODEL & LOCATION	PART NO.	MFG./YEAR	MODEL & LOCATION	PART NO.
<b>Engine (Cont.)</b>					
<b>Timing Cover</b>					
1981	All:				
	Seal .....	16523			
	(Speedi-Sleeve) .....	99169			

**Dodge (FWD) Avenger**

<b>Wheel Front</b>		
1995	All:	
	Hub Assembly .....	BR930214
<b>Wheel Rear</b>		
1995	All:	
	Hub Assembly .....	BR930172
<b>Clutch</b>		
<b>Release</b>		
1995	All:	
	Bearing Assembly .....	N4166
<b>Transaxle-Automatic</b>		
<b>Differential</b>		
1995	All:	
	Bearing .....	[2] BR11
	(Set Components) .....	JL69349/JL69310
<b>Front Pump</b>		
1995	All:	
	Seal .....	14939
	(Speedi-Sleeve) .....	99149
<b>Output Shaft</b>		
1995	All:	
	Seal .....	15750
	(Speedi-Sleeve) .....	99157
<b>Transfer Shaft</b>		
1995	All:	
	Bearing (Front) .....	BR13687/BR13621
	Bearing (Rear) .....	BR35
	(Set Components) .....	LM501349/LM501310
<b>Transaxle-Manual</b>		
<b>Differential</b>		
1995	All:	
	Bearing .....	[2] BR11
	(Set Components) .....	JL69349/JL69310
<b>Input Shaft</b>		
1995	All:	
	Bearing .....	FC67560

**Transaxle-Manual (Cont.)**

<b>Output Shaft</b>		
1995	All:	
	Seal .....	15750
	(Speedi-Sleeve) .....	99157
<b>Engine</b>		
<b>Camshaft Front</b>		
1995	2.0L Eng.:	
	Seal .....	13709
	(Speedi-Sleeve) .....	99139
<b>Crankshaft-Rear</b>		
1995	2.5L Eng.:	
	Seal .....	36204
1995	2.0L Eng.:	
	Seal .....	35905
<b>Timing Belt Tensioner</b>		
1995	2.5L Eng.:	
	Bearing & Housing Assy. ....	VKM75000
1995	2.0L DOHC Eng.:	
	Bearing & Housing Assy. ....	VKM75044
<b>Timing Belt and Tensioner Kit</b>		
1995	2.5L Eng.:	
	Belt & Tensioner Kit .....	VKMA95613
1995	2.0L Eng.:	
	Belt & Tensioner Kit .....	VKMA41004
<b>Timing Cover</b>		
1995	2.0L Eng.:	
	Seal .....	12717
	(Speedi-Sleeve) .....	99128

**Dodge (FWD) Aries, Daytona, Dynasty, Lancer (from 1985), Shadow, Spirit, 400, 600**

<b>Wheel Front</b>		
1995-1991	All:	
	Seal .....	21952
	Seal (w/Sleeve) .....	21962
	Hub Assembly .....	BR930013

<b>Wheel Front (Cont.)</b>		
1990	Daytona w/14" & 15" Whls. & Rr. Drum Brks.:	
	Seal .....	21952
	Seal (w/Sleeve) .....	21962
	Bearing .....	B42
	Hub Assembly .....	BR930002
		(Continued)



# Passenger cars, light & medium trucks

(Cont.) -- Dodge (FWD) Aries, Daytona, Dynasty, Lancer (from 1985), Shadow, Spirit, 400, 600

MFG./YEAR	MODEL & LOCATION	PART NO.	MFG./YEAR	MODEL & LOCATION	PART NO.
<b>Wheel Front (Cont.)</b>			<b>Transaxle-Automatic (Cont.)</b>		
1990	Daytona w/15" & 16" Whls. & Rr. Disc Brks.:		<b>Front Pump</b>		
	Seal .....	21952	1995-1991 All:		
	Seal (w/Sleeve) .....	21962	Seal .....	14939	
	Hub Assembly .....	BR930013	(Speedi-Sleeve) .....	99149	
1990-1989	Dynasty:		1990-1981 All:		
	Seal .....	21952	Seal .....	15022	
	Seal (w/Sleeve) .....	21962	(Speedi-Sleeve) .....	99149	
	Hub Assembly .....	BR930013	<b>Output Shaft</b>		
1990-1989	Aries, Lancer, Shadow & Spirit:		1995-1981 All:		
	Seal .....	21952	Seal .....	15750	
	Seal (w/Sleeve) .....	21962	(Speedi-Sleeve) .....	99157	
	Bearing .....	B42	<b>Shift Shaft</b>		
	Hub Assembly .....	BR930002	1995-1981 All:		
1989	Daytona w/14" Whls.:		Seal .....	8017	
	Seal .....	21952	<b>Transaxle-Manual</b>		
	Seal (w/Sleeve) .....	21962	<b>Differential</b>		
	Sealed Bearing .....	B42	1992-1982 All:		
	Hub Assembly .....	BR930002	Bearing .....	[2] BR11	
1989	Daytona w/15" & 16" Whls.:		(Set Components) .....	JL69349/JL69310	
	Seal .....	21952	<b>Input Shaft</b>		
	Seal (w/Sleeve) .....	21962	1992-1981 All:		
	Hub Assembly .....	BR930013	Seal .....	10583	
1988-1984	All:		(Speedi-Sleeve) .....	99106	
	Seal .....	21952	Bearing (Front) .....	BR4	
	Seal (w/Sleeve) .....	21962	(Set Components) .....	L44649/L44610	
	Sealed Bearing .....	B42	Bearing (Rear) .....	BR5	
	Hub Assembly (4 Bolt) .....	BR930001	(Set Components) .....	LM48548/LM48510	
	Hub Assembly (5 Bolt) .....	BR930002	<b>Intermediate Shaft</b>		
1983-1981	All:		1990-1989 All:		
	Seal .....	21952	Seal .....	15750	
	Seal (w/Sleeve) .....	21962	(Speedi-Sleeve) .....	99157	
	Sealed Bearing .....	B39	<b>Output Shaft</b>		
	Hub Assembly .....	BR930000	1992-1981 All:		
<b>Wheel Rear</b>			Seal .....	15750	
1995-1983	All:		(Speedi-Sleeve) .....	99157	
	Seal .....	16599	<b>Shift Shaft</b>		
	Bearing (Inner) .....	BR39	1983-1981 All:		
	Bearing (Outer) .....	BR16	Seal .....	7000	
	(Set Components) .....	LM12749/LM12711	(Speedi-Sleeve) .....	99082	
1982-1981	All:		<b>Alternator</b>		
	Seal .....	14848	1989	Bosch 40 & 90 Amp.:	
	Bearing (Inner) .....	BR4	Bearing (Front) .....	6203-2RSJ	
	(Set Components) .....	L44649/L44610	1989-1988	Chrysler 40, 50, 90 & 120 Amp.:	
	Bearing (Outer) .....	BR2	Bearing (Rear) .....	6203-2RSJ	
	(Set Components) .....	LM11949/LM11910	1988	Bosch 40 & 90 Amp. Stamped No. 5233549:	
<b>Clutch</b>			Bearing (Front) .....	6303-2RSJ	
<b>Release</b>			Bearing (Rear) .....	6201-2RSJ	
1995-1990	All:		1988	Bosch 40 & 90 Amp. Stamped No. 5233574:	
Bearing Assembly .....	N4122		Bearing (Front) .....	6203-2RSJ	
1989-1981	All:		Bearing (Rear) .....	6201-2RSJ	
Bearing Assembly .....	N3013-SA		1987-1986	2.2L Eng.:	
<b>Transaxle-Automatic</b>			Bearing (Rear) .....	MNJ471-S	
<b>Differential</b>			1987-1986	2.5L Eng.:	
1995-1982	All:		Bearing (Rear) .....	6201-ZJ	
Bearing .....	[2] BR11		1987-1986	40, 90 & 100 Amp. Stamped No. 5226600:	
(Set Components) .....	JL69349/JL69310		Bearing (Front) .....	6203-2RSJ	
			Bearing (Rear) .....	6201-J	

(Continued)

**Dodge (FWD) Aries, Daytona, Dynasty, Lancer (from 1985), Shadow, Spirit, 400, 600 -- (Cont.)**

MFG./YEAR	MODEL & LOCATION	PART NO.	MFG./YEAR	MODEL & LOCATION	PART NO.
<b>Alternator (Cont.)</b>			<b>Engine (Cont.)</b>		
1987-1986	40, 90 & 100 Amp. Stamped No. 5227100 & 5227200:		<b>Timing Belt and Tensioner Kit</b>		
	Bearing ..... [2]	6203-2RSJ	1995-1989	Spirit w/2.5L Eng.:	
1985	2.2L Eng. w/Turbo:			Belt & Tensioner Kit .....	VKMA41000
	Bearing (Front) .....	6203-2RSJ	1995-1989	Spirit w/3.0L Eng.:	
	Bearing (Rear) .....	6201-J		Belt & Tensioner Kit .....	VKMA95003
1985-1981	2.6L Eng.:		1994-1989	Daytona & Shadow w/2.2L Eng.:	
	Bearing (Front) .....	6302-2ZJ		Belt & Tensioner Kit .....	VKMA41000
	Bearing (Rear) .....	6201-ZJ	1993-1989	Dynasty w/2.2L & 2.5L Eng.:	
1984-1981	2.2L Eng.:			Belt & Tensioner Kit .....	VKMA41000
	Bearing (Front) .....	6203-2RSJ	1993-1988	Dynasty w/3.0L Eng.:	
	Bearing (Rear) .....	MNJ471-S		Belt & Tensioner Kit .....	VKMA95003
<b>Engine</b>			1988	2.5L Eng.:	
<b>Auxiliary Shaft</b>				Bearing & Tensioner Kit .....	VKMA46101
1992-1981	2.2L & 2.5L Eng.:		1988-1982	Aries, Daytona, Lancer, Shadow, 400 & 600 w/2.2L Eng.:	
	Seal .....	13624		Belt & Tensioner Kit .....	VKMA41001
	(Speedi-Sleeve) .....	99139	<b>Timing Cover</b>		
<b>Camshaft Front</b>			1995	2.5L & 3.0L Eng.:	
1994-1981	2.2L & 2.5L w/o 16 Valve Eng.:			Seal .....	14671
	Seal .....	13624	1995-1986	2.5L Eng.:	
	(Speedi-Sleeve) .....	99139		Seal .....	11122
1992	3.0L Eng.:			(Speedi-Sleeve) .....	99112
	Seal .....	13907	1994-1989	2.2L Eng.:	
	(Speedi-Sleeve) .....	99139		Seal .....	11122
1992-1991	2.2L 16 Valve Eng.:			(Speedi-Sleeve) .....	99112
	Seal .....	14713	1994-1988	3.0L Eng.:	
	(Speedi-Sleeve) .....	99147		Seal .....	14671
1991-1988	3.0L Eng.:		1993-1990	3.3L & 3.8L Eng.:	
	Seal .....	13943		Seal .....	11122
	(Speedi-Sleeve) .....	99139		(Speedi-Sleeve) .....	99112
1990-1989	2.2L 16 Valve Eng.:		1988-1981	2.2L Eng.:	
	Seal .....	15800		Seal .....	13624
	(Speedi-Sleeve) .....	99157		(Speedi-Sleeve) .....	99139
1985-1981	2.6L Eng.:		1985-1981	2.6L Eng.:	
	Seal .....	9065		Seal .....	18854
				(Speedi-Sleeve) .....	99189
<b>Camshaft Rear</b>			<b>Steering-Power</b>		
1988-1981	2.2L Eng. From 2/17/81:		<b>Pump Shaft</b>		
	Seal (52.35mm O.D.) .....	13624	1990-1981	All:	
	Seal (52.62mm O.D.) .....	13953		Seal .....	7475
	(Speedi-Sleeve) (52.62mm O.D.) .....	99139	<b>Worm Shaft</b>		
<b>Crankshaft-Rear</b>			1990-1981	All:	
1995-1981	2.2L, 2.5L, 3.0L, 3.3L & 3.8L Eng.:			Seal .....	6139
	Seal .....	35828			
1985-1981	2.6L Eng.:				
	Seal .....	31506			
	(Speedi-Sleeve) .....	99317			
<b>Timing Belt Tensioner</b>					
1995-1989	Spirit w/3.0L Eng.:				
	Bearing & Housing Assy. ....	VKM75004			
1990-1988	Dynasty w/3.0L Eng.:				
	Bearing & Housing Assy. ....	VKM75004			
1988	2.2L Eng. Exc. Daytona:				
	Bearing & Housing Assy. ....	VKM61001			

# Passenger cars, light & medium trucks

## Dodge (FWD) Colt (from 1979), Colt Vista (thru 1991), For (1992) Colt Vista See Plymouth

MFG./YEAR	MODEL & LOCATION	PART NO.	MFG./YEAR	MODEL & LOCATION	PART NO.
<b>Wheel Front</b>			<b>Wheel Rear (Cont.)</b>		
1994-1993	Colt:		1990-1987	Colt Wgn. w/2 W/D:	
	Seal (Inner)	21248		Seal	14709
	Seal (Outer)	20431		Bearing (Inner)	BR4
	Bearing	FW170		(Set Components)	L44649/L44610
1992-1990	Colt:			Bearing (Outer)	BR1
	Seal	19612		(Set Components)	LM11749/LM11710
	Bearing	[2] BR41	1988-1987	Colt:	
1991-1985	Colt Vista w/4 W/D:			Seal	15298
	Seal (Inner)	19677		Bearing Assembly	[2] GRW164
	Seal (Outer)	20463	1986-1985	Colt:	
	Bearing	■ FW101		Seal	15298
1991-1984	Colt Vista w/2 W/D:			Bearing Assembly	[2] GRW164
	Seal	19612	1984-1979	Colt:	
	Bearing	[2] BR41		Seal	14709
1989-1985	Colt :			Bearing (Inner)	BR4
	Seal	19612		(Set Components)	L44649/L44610
	Bearing	[2] BR41		Bearing (Outer)	BR1
1984	Colt w/Turbo:			(Set Components)	LM11749/LM11710
	Seal	19612	<b>Pinion</b>		
	Bearing	[2] BR41	1991-1988	Colt Vista w/4 W/D From 10/2/87:	
1984-1983	Colt w/o Turbo:			Bearing (Front)	30305-C
	Seal	19612		Bearing (Rear)	BR32207
	Bearing	[2] BR51	1990-1989	Colt Wgn. w/A.W.D.:	
	(Set Components)	LM29748/LM29710		Bearing (Front)	30305-C
1982-1979	Colt:			Bearing (Rear)	BR32207
	Seal	19612	1988-1985	Colt Vista w/4 W/D Thru 10/1/87:	
	Bearing	[2] BR51		Bearing (Front)	BR30305
	(Set Components)	LM29748/LM29710		Bearing (Rear)	BR32207
<b>Wheel Rear</b>			<b>Differential</b>		
1994-1993	w/o ABS:		<b>Rear Axle</b>		
	Hub Assembly	BR930271	1991-1985	Colt Vista w/4 W/D:	
1994-1993	ABS:			Seal	14006
	Hub Assembly	BR930059		(Speedi-Sleeve)	99139
1992-1991	Colt Mfr. By Diamond Star Motor Company:			Bearing	[2] BR30207
	Bearing	GRW153	1990-1989	Colt Wgn.:	
	Hub Assembly	BR930017		Bearing	BR30207
1992-1991	Colt Mfr. By Mitsubishi Motor Company:		<b>Clutch</b>		
	Seal	15298	<b>Release</b>		
	Bearing	[2] GRW152	1994-1979	All:	
1991-1985	Colt Vista w/4 W/D:			Bearing Assembly	N3067
	Seal	14054	<b>Transaxle-Automatic</b>		
	Sealed Bearing (Inner)	GRW163	<b>Differential</b>		
	Sealed Bearing (Outer)	GRW165	1994-1991	Colt:	
1991-1984	Colt Vista w/2 W/D:			Bearing	[2] 6207-J
	Seal	14709	1991-1989	Colt Vista w/2 W/D:	
	Bearing (Inner)	BR4		Bearing	6207-J
	(Set Components)	L44649/L44610	1990	Colt w/2.0L Eng. & 4 W/D:	
	Bearing (Outer)	BR1		Bearing	6207-J
	(Set Components)	LM11749/LM11710	1990-1987	Colt w/1.5L & 1.6L Engs.:	
1990	Colt Wgn. w/A.W.D.:			Bearing	6207-J
	Seal	20420	1988-1987	Colt w/2.0L Eng. & 2 W/D:	
	Sealed Bearing w/Lock Ring	[2] GRW128-R		Bearing	BR30207
1990-1989	Colt w/Disc Brks.:		1988-1987	Colt Vista w/2.0L Eng. & 2 W/D:	
	Seal	15298		Bearing	BR30207
	Bearing	[2] GRW153	1986-1984	Colt Vista w/2 W/D:	
1990-1989	Colt w/Drum Brks.:			Bearing	BR30207
	Seal	15298	1983-1979	All:	
	Bearing	[2] GRW152		Bearing	6207-J

(Continued)

## Passenger cars, light & medium trucks

### Dodge (FWD) Colt (from 1979), Colt Vista (thru 1991), For (1992) Colt Vista See Plymouth -- (Cont.)

MFG./YEAR	MODEL & LOCATION	PART NO.	MFG./YEAR	MODEL & LOCATION	PART NO.
<b>Transaxle-Automatic (Cont.)</b>			<b>Transaxle-Manual (Cont.)</b>		
<b>Front Pump</b>			<b>Intermediate Shaft</b>		
<b>1994-1992 Colt:</b>			<b>1994-1992 Colt w/1.5L Eng.:</b>		
	Seal .....	16897		Bearing (Front) .....	GRW122
	(Speedi-Sleeve) .....	99182		Bearing (Rear) .....	63/28-2RSJ
<b>1991-1979 All:</b>			<b>Output Shaft</b>		
	Seal .....	16897	<b>1994-1992 Colt w/1.5L Eng.:</b>		
	(Speedi-Sleeve) .....	99182		Seal .....	14006
<b>Output Shaft</b>				(Speedi-Sleeve) .....	99139
<b>1994-1992 Colt:</b>			<b>1994-1992 Colt w/1.8L Eng.:</b>		
	Seal .....	14006		Seal .....	14006
	(Speedi-Sleeve) .....	99139		(Speedi-Sleeve) .....	99139
<b>1991-1979 All:</b>				Bearing .....	[2] BR30206
	Seal .....	14006	<b>1991-1990 All:</b>		
	(Speedi-Sleeve) .....	99139		Seal .....	14006
<b>Shift Shaft</b>				(Speedi-Sleeve) .....	99139
<b>1994-1979 All:</b>			<b>1989-1988 1.5L Eng.:</b>		
	Seal .....	8017		Seal .....	14006
<b>Transaxle-Manual</b>				(Speedi-Sleeve) .....	99139
<b>Countershaft Rear</b>				Bearing .....	[2] BR30206
<b>1989 1.6L Eng.:</b>			<b>1989-1987 Colt Vista Wgn. w/4 W/D:</b>		
	Bearing (Front) .....	BR30206		Seal .....	14006
	Bearing (Rear) .....	BR68		(Speedi-Sleeve) .....	99139
<b>Differential</b>				Bearing (L.H.) .....	BR30305
<b>1994-1992 Colt w/1.8L Eng.:</b>				Bearing (R.H.) .....	BR30304
	Bearing .....	BR30207	<b>1989-1987 1.6L Eng. w/o Turbo:</b>		
<b>1994-1985 w/2 W/D &amp; 1.5L Eng.:</b>				Seal .....	14006
	Bearing .....	[2] 6207-J		(Speedi-Sleeve) .....	99139
<b>1991 Colt Vista w/2 W/D:</b>				Bearing .....	[2] BR30206
	Bearing .....	[2] BR30207	<b>1988-1987 1.6L Turbo Eng.:</b>		
<b>1990-1989 Colt Wgn.:</b>				Seal .....	14006
	Bearing .....	6207-J		(Speedi-Sleeve) .....	99139
<b>1990-1984 w/2 W/D &amp; 1.6L Eng.:</b>				Bearing (R.H.) .....	6206-J
	Bearing .....	BR30207	<b>1986-1979 All:</b>		
<b>1984 1.4L Eng.:</b>				Seal .....	14006
	Bearing .....	6207-J		(Speedi-Sleeve) .....	99139
<b>1983-1979 All:</b>			<b>Rear Extension</b>		
	Bearing .....	6207-J	<b>1990 Colt Vista w/A.W.D.:</b>		
<b>Input Shaft</b>				Seal .....	12736
<b>1994-1992 Colt:</b>				(Speedi-Sleeve) .....	99128
	Seal (Viton) .....	9706	<b>1990-1989 Colt Wgn.:</b>		
	Seal .....	9705		Seal .....	12736
	(Speedi-Sleeve) .....	99098		(Speedi-Sleeve) .....	99128
<b>1991-1987 All:</b>				Bearing (Front) .....	32009-X
	Seal (Viton) .....	9706		Bearing (Rear) .....	32008-X
	Seal .....	9705	<b>Shift Shaft</b>		
	(Speedi-Sleeve) .....	99098	<b>1989-1987 All:</b>		
<b>1986-1979 All:</b>				Seal .....	7003
	Seal (Viton) .....	9706		(Speedi-Sleeve) .....	99085
	Seal .....	9705	<b>Transfer Shaft</b>		
	(Speedi-Sleeve) .....	99098	<b>1989 Colt Wgn.:</b>		
	Bearing (Front) .....	BR4		Seal .....	11592
	(Set Components) .....	L44649/L44610		(Speedi-Sleeve) .....	99114
	Bearing (Rear) .....	BR5		Bearing (L.H.) .....	32010-X
	(Set Components) .....	LM48548/LM48510		Bearing (R.H.) .....	BR6
				(Set Components) .....	LM67048/LM67010
			<b>1989-1985 Colt Vista w/4 W/D:</b>		
				Bearing .....	[2] BR30206

(Continued)

# Passenger cars, light & medium trucks

(Cont.) -- Dodge (FWD) Colt (from 1979), Colt Vista (thru 1991), For (1992) Colt Vista See Plymouth

MFG./YEAR	MODEL & LOCATION	PART NO.	MFG./YEAR	MODEL & LOCATION	PART NO.
<b>Air Conditioning Clutch</b>			<b>Engine (Cont.)</b>		
1987-1985	Nippondenso:		<b>Timing Belt Tensioner (Cont.)</b>		
	Bearing	AC1	1990-1987	Colt w/1.5L Eng.:	
<b>Alternator</b>				Bearing & Housing Assy.	VKM75100
1989	1.5L Eng.:		1986-1980	Colt w/1.5L & 1.6L Eng.:	
	Bearing (Front)	6302-2RSJ		Bearing & Housing Assy.	VKM75100
1989-1987	2.0L & 2.6L Eng.:		<b>Timing Belt and Tensioner Kit</b>		
	Bearing (Front)	6302-2RSJ	1994-1991	Colt w/1.5L Eng.:	
1988-1987	1.5L & 1.6L Eng.:			Belt & Tensioner Kit	VKMA95012
	Bearing (Front)	6302-2RSJ	1991-1987	Colt Vista w/2.0L Eng.:	
1986-1984	Colt Vista:			Belt & Tensioner Kit	VKMA95008
	Bearing (Front)	6302-2ZJ	1990-1987	Colt w/1.5L Eng.:	
	Bearing (Rear)	6201-2ZJ		Belt & Tensioner Kit	VKMA92001
1986-1981	Colt Exc. Colt Vista:		<b>Timing Cover</b>		
	Bearing (Front)	6202-2RSJ	1994-1992	1.8L Eng.:	
	Bearing (Rear)	6201-2ZJ		Seal	14671
1980-1979	Colt:		1994-1985	1.5L Eng.:	
	Bearing (Front)	6302-2ZJ		Seal	11671
	Bearing (Rear)	6201-2ZJ		(Speedi-Sleeve)	99114
<b>Drive Shaft</b>			1991	2.0L Eng. w/o DOHC:	
<b>Rear</b>				Seal	17629
1989-1987	Colt Vista w/4 W/D:			(Speedi-Sleeve)	99177
	Bearing & Support	HB1400-10	1990-1989	1.6L DOHC & 1.8L Eng.:	
<b>Engine</b>				Seal	17629
<b>Camshaft</b>				(Speedi-Sleeve)	99177
1994-1979	All:		1990-1984	2.0L Eng.:	
	Seal	13943		Seal	17629
	(Speedi-Sleeve)	99139		(Speedi-Sleeve)	99177
<b>Crankshaft-Rear</b>			1990-1983	1.6L Eng.:	
1994-1992	1.8L Eng.:			Seal	17629
	Seal	33861		(Speedi-Sleeve)	99177
1994-1991	1.5L Eng.:		1984-1983	1.4L Eng.:	
	Seal	28308		Seal	11671
	(Speedi-Sleeve)	99284		(Speedi-Sleeve)	99114
1991-1990	2.0L Eng.:		1982-1979	1.4L Eng.:	
	Seal	31506		Seal	11671
	(Speedi-Sleeve)	99315		(Speedi-Sleeve)	99114
1990-1989	1.6L DOHC Eng.:		1982-1979	1.6L Eng.:	
	Seal	31506		Seal	17271
	(Speedi-Sleeve)	99315		(Speedi-Sleeve)	99174
1990-1983	1.4L, 1.5L, 1.6L & 1.8L Eng.:			(Speedi-Sleeve/Seal Kit)	480173
	Seal	28308	1980-1979	2.6L Eng.:	
	(Speedi-Sleeve)	99284		Seal	18854
1989-1984	2.0L Eng.:			(Speedi-Sleeve)	99189
	Seal	31506	<b>Steering-Power</b>		
	(Speedi-Sleeve)	99317	<b>Pitman Shaft</b>		
1982-1979	1.4L & 1.6L Eng.:		1988-1978	All:	
	Seal	28308		Seal	7400
	(Speedi-Sleeve)	99284	<b>Pump Shaft</b>		
1980-1979	2.6L Eng.:		1989-1986	Exc. Colt Vista:	
	Seal	31506		Seal	7475
	(Speedi-Sleeve)	99317	1989-1986	Colt Vista:	
<b>Timing Belt Tensioner</b>				Seal	7005
1994-1993	Colt Vista w/2.4L Eng.:		1985-1978	All:	
	Bearing & Housing Assy.	VKM75130		Seal	7005
1994-1993	Colt w/1.8L Eng.:				(Continued)
	Bearing & Housing Assy.	VKM75002			
1994-1991	Colt w/1.5L Eng.:				
	Bearing & Housing Assy.	VKM75001			

**Dodge (FWD) Colt (from 1979), Colt Vista (thru 1991), For (1992) Colt Vista See Plymouth -- (Cont.)**

MFG./YEAR	MODEL & LOCATION	PART NO.	MFG./YEAR	MODEL & LOCATION	PART NO.
<b>Steering-Standard</b>			<b>Steering-Standard (Cont.)</b>		
<b>Pitman Shaft</b>			<b>Worm Shaft</b>		
1983-1978	All:		1983-1978	All:	
	Seal .....	10930		Seal .....	7210
				(Superseded by).....	7473

**Dodge (FWD) Charger (from 1983), Omni, Rampage**

**Wheel Front**

1990-1981 Exc. Shelby Charger & GLH:

Seal .....21952

Seal (w/Sleeve) .....21962

Sealed Bearing ..... B39

Hub Assembly ..... BR930000

1987-1984 Shelby Charger & GLH:

Seal .....21952

Seal (w/Sleeve) .....21962

Bearing ..... B42

Hub Assembly (4 Bolt) ..... BR930001

Hub Assembly (5 Bolt) ..... BR930002

1980-1979 All:

Bearing ..... B39

Hub Assembly ..... BR930000

1978 1st Design:

Bearing ..... B34

1978 2nd Design:

Bearing ..... B39

**Wheel Rear**

1990-1983 All:

Seal .....16599

Bearing (Inner) ..... BR39

Bearing (Outer) ..... BR16

(Set Components) ..... LM12749/LM12711

1982-1978 All:

Seal .....14848

Bearing (Inner) ..... BR4

(Set Components) ..... L44649/L44610

Bearing (Outer) ..... BR2

(Set Components) ..... LM11949/LM11910

**Differential Kit**

1978 8.25 " & 8.375 " Ring Gear:

Standard Seal and Bearing Kit Rear ..... SDK303

Master Seal and Bearing Kit Rear ..... SDK303-MK

1978 9.25 " Ring Gear:

Standard Seal and Bearing Kit Rear ..... SDK304

Master Seal and Bearing Kit Rear ..... SDK304-MK

**Clutch Release**

1990 All:

Bearing Assembly ..... N4122

1989-1984 All:

Bearing Assembly ..... N3013-SA

1983-1981 A460 & A465 Transaxles:

Bearing Assembly ..... N3013-SA

1983-1978 A412 Transaxle:

Bearing Assembly ..... N4075

**Transaxle-Automatic Differential**

1990-1984 All:

Bearing ..... [2] BR11

(Set Components) ..... JL69349/JL69310

1983-1978 All:

Bearing ..... [2] BR12

(Set Components) ..... LM12749/LM12710

**Front Pump**

1990-1978 All:

Seal .....15022

(Speedi-Sleeve) ..... 99149

**Output Shaft**

1990-1978 All:

Seal .....15750

(Speedi-Sleeve) ..... 99157

**Shift Shaft**

1990-1978 All:

Seal .....8017

**Transaxle-Manual Differential**

1990-1984 All:

Bearing ..... [2] BR11

(Set Components) ..... JL69349/JL69310

1983-1978 All:

Bearing ..... [2] BR12

(Set Components) ..... LM12749/LM12710

**Input Shaft**

1990-1984 All:

Seal .....10583

(Speedi-Sleeve) ..... 99106

Bearing (Front) ..... BR4

(Set Components) ..... L44649/L44610

Bearing (Rear) ..... BR5

(Set Components) ..... LM48548/LM48510

1983-1981 A460 & A465 Trans.:

Seal .....10583

(Speedi-Sleeve) ..... 99106

Bearing (Front) ..... BR4

(Set Components) ..... L44649/L44610

Bearing (Rear) ..... BR5

(Set Components) ..... LM48548/LM48510

1983-1978 A412 Trans.:

Seal .....8550

(Speedi-Sleeve) ..... 99085

**Output Shaft**

1989-1984 All:

Seal .....15750

(Speedi-Sleeve) ..... 99157

(Continued)

Passenger cars, light & medium trucks

(Cont.) -- Dodge (FWD) Charger (from 1983), Omni, Rampage

MFG./YEAR	MODEL & LOCATION	PART NO.	MFG./YEAR	MODEL & LOCATION	PART NO.
<b>Transaxle-Manual (Cont.)</b>			<b>Engine (Cont.)</b>		
<b>Output Shaft (Cont.)</b>			<b>Camshaft Rear</b>		
1983-1978 4 Spd. Trans.:			1990-1981 2.2L Eng.:		
	Seal .....	14040		Seal (52.35mm O.D.) .....	13624
	(Speedi-Sleeve) .....	99146		Seal (52.62mm O.D.) .....	13953
				(Speedi-Sleeve) (52.62mm O.D.) .....	99139
<b>Shift Shaft</b>			<b>Crankshaft-Rear</b>		
1983-1978 All:			1990-1981 2.2L Eng.:		
	Seal .....	7000		Seal .....	35828
	(Speedi-Sleeve) .....	99082	1983-1978 1.7L Eng.:		
<b>Alternator</b>			Seal .....		
1989 Bosch 40 & 90 Amp.:			(Speedi-Sleeve) .....		
	Bearing (Front) .....	6203-2RSJ	1988-1981 2.2L Eng.:		
1989-1988 Chrysler 40, 50, 90 & 120 Amp.:			Seal .....		
	Bearing (Rear) .....	6203-2RSJ	(Speedi-Sleeve) .....		
1987-1986 40, 90 & 100 Amp. Stamped No. 5226600:			<b>Timing Belt and Tensioner Kit</b>		
	Bearing (Front) .....	6203-2RSJ	1990-1989 Omni w/2.2L Eng.:		
	Bearing (Rear) .....	6201-J	Belt & Tensioner Kit .....		
1987-1986 40, 90 & 100 Amp. Stamped No. 5227100 & 5227200:			VKMA41000		
	Bearing .....	[2] 6203-2RSJ	1988-1981 Omni/024 w/2.2L Eng.:		
1986-1984 1.6L Eng.:			Belt & Tensioner Kit .....		
	Bearing (Front) .....	6203-RSJ	VKMA41001		
	Bearing (Rear) .....	6201-J	1984-1982 Rampage w/2.2L Eng.:		
1985 2.2L Eng. w/Turbo:			Belt & Tensioner Kit .....		
	Bearing (Front) .....	6203-2RSJ	VKMA41001		
	Bearing (Rear) .....	6201-J	<b>Timing Cover</b>		
1984-1982 2.2L Eng.:			1990-1989 2.2L Eng.:		
	Bearing (Front) .....	6203-2RSJ	Seal .....		
	Bearing (Rear) .....	MNJ471-S	VKMA41001		
1983-1978 1.7L Eng.:			Seal .....		
	Bearing (Front) .....	6203-2RSJ	(Speedi-Sleeve) .....		
	Bearing (Rear) .....	MNJ471-S	1988-1981 2.2L Eng.:		
<b>Engine</b>			Seal .....		
<b>Auxiliary Shaft</b>			VKMA41001		
1990-1981 2.2L Eng.:			1986-1983 1.6L Eng.:		
	Seal .....	13624	Seal .....		
	(Speedi-Sleeve) .....	99139	VKMA41001		
1983-1981 1.7L Eng.:			(Speedi-Sleeve) .....		
	Seal .....	12724	1983-1978 1.7L Eng.:		
	(Speedi-Sleeve) .....	99128	Seal .....		
<b>Camshaft Front</b>			VKMA41001		
1990-1981 2.2L Eng.:			(Speedi-Sleeve) .....		
	Seal .....	13624	<b>Steering-Power</b>		
	(Speedi-Sleeve) .....	99139	<b>Pump Shaft</b>		
1983-1978 1.7L Eng.:			1988-1978 All:		
	Seal .....	12724	Seal .....		
	(Speedi-Sleeve) .....	99128	VKMA41001		
<b>Camshaft Front</b>			<b>Worm Shaft</b>		
1990-1981 2.2L Eng.:			1988-1978 All:		
	Seal .....	13624	Seal .....		
	(Speedi-Sleeve) .....	99139	VKMA41001		
1983-1978 1.7L Eng.:			1988-1978 All:		
	Seal .....	12724	Seal .....		
	(Speedi-Sleeve) .....	99128	VKMA41001		

Dodge (FWD) Intrepid

<b>Wheel Front</b>			<b>Transaxle-Automatic</b>		
1995-1993 All:			<b>Differential</b>		
	Hub Assembly (Kit) .....	BR930190K	1995-1993 w/42LE Trans.:		
<b>Wheel Rear</b>			Bearing .....		
1995-1993 Rr. Drum Brks.:			[2] BR36		
	Hub Assembly .....	BR930188	(Set Components) .....		
1995-1993 Rr. Disc Brks.:			LM603049/LM603012		
	Hub Assembly .....	BR930189	<b>Front Pump</b>		
			1995-1993 w/42LE Trans.:		
			Seal .....		
			VKMA41001		
			(Speedi-Sleeve) .....		
			99149		
			(Continued)		

**Dodge (FWD) Intrepid -- (Cont.)**

MFG./YEAR	MODEL & LOCATION	PART NO.	MFG./YEAR	MODEL & LOCATION	PART NO.
<b>Transaxle-Automatic (Cont.)</b>			<b>Engine (Cont.)</b>		
<b>Output Shaft</b>			<b>Timing Belt Tensioner</b>		
1995-1993 42LE Trans.:			1995-1993 3.5L Eng.:		
	Seal (L.H.) .....	11897		Bearing Only .....	VKM51001
	(Speedi-Sleeve) (L.H.) .....	99118		Bearing & Housing Assy. ....	VKM51003
	Seal (R.H.) .....	11919	<b>Timing Belt and Tensioner Kit</b>		
	Bearing .....	6907-VAW	1995 3.5L Eng.:		
<b>Transfer Shaft</b>			Belt & Tensioner Kit .....		
1995-1993 42LE Trans.:			1994-1993 3.5L Eng.:		
	Seal (Front) .....	15607	Belt & Tensioner Kit .....		
	Seal (Rear) .....	14512	VKMA41003		
	Bearing (Front) .....	M802048/M802011	VKMA41006		
<b>Engine</b>			<b>Timing Cover</b>		
<b>Camshaft Front</b>			1995-1993 3.3L & 3.5L Engs.:		
1995-1993 3.5L Eng.:			Seal .....		
	Seal .....	11152	(Speedi-Sleeve) .....		
<b>Crankshaft-Rear</b>			11122		
1995-1993 3.3L & 3.5L Engs.:			99112		
	Seal .....	35828			

**Dodge (FWD) Monaco (from 1990)**

<b>Wheel Front</b>			<b>Engine</b>		
1992-1990 All:			<b>Crankshaft-Rear</b>		
	Sealed Bearing w/Housing .....	FW110	1992-1990 3.0L Eng.:		
<b>Transaxle-Automatic</b>			Seal .....		
<b>Front Pump</b>			(Speedi-Sleeve) .....		
1992-1990 All:			31492		
	Seal .....	17728	99315		
	(Speedi-Sleeve) .....	99177			
<b>Output Shaft</b>					
1992-1990 All:					
	Seal (L.H.) .....	13475			
	(Speedi-Sleeve) (L.H.) .....	99134			
	Seal (R.H.) .....	17149			

**Dodge (FWD) Neon**

<b>Wheel Front</b>			<b>Transaxle-Automatic</b>		
1995 5 Bolt Hub:			<b>Differential</b>		
	Sealed Bearing .....	FW169	1995 All:		
	C-Clip .....	CIR115	Bearing .....		
	Hub Assembly (Kit) .....	BR930182K	(Set Components) .....		
1995 4 Bolt Hub:			[2] BR11		
	Sealed Bearing .....	FW169	JL69349/JL69310		
	C-Clip .....	CIR115			
	Hub Assembly (Kit) .....	BR930181K	<b>Front Pump</b>		
<b>Wheel Rear</b>			1995 All:		
1995 4 Bolt Hub:			Seal .....		
	Hub Assembly .....	BR930195	(Speedi-Sleeve) .....		
1995 5 Bolt Hub:			14939		
	Hub Assembly .....	BR930196	99149		
<b>Clutch</b>			<b>Output Shaft</b>		
<b>Release</b>			1995 All:		
1995 All:			Seal .....		
	Bearing Assembly .....	N4166	(Speedi-Sleeve) .....		
			15750		
			99157		
			BR17		
			(Set Components) .....		
			L68149/L68111		
			<b>Shift Shaft</b>		
			1995 All:		
			Seal .....		
			8017		
			(Continued)		



MFG./YEAR	MODEL & LOCATION	PART NO.	MFG./YEAR	MODEL & LOCATION	PART NO.
<b>Transaxle-Automatic (Cont.)</b>			<b>Engine (Cont.)</b>		
<b>Transfer Shaft</b>			<b>Timing Belt Tensioner</b>		
1995	All:		1995	2.0L SOHC Eng.:	
	Bearing .....	[2] BR11		Bearing (Tensioner) .....	VKM51001
	(Set Components) .....	JL69349/JL69310		Bearing & Adjuster .....	VKM51003
<b>Transaxle-Manual</b>				Brg. & Hsg. Assy. w/Metal Brkt. ....	VKM55008
<b>Differential</b>				Brg. & Adjuster w/Aluminum Brkt. ....	VKM55016
1995	A578 Transaxle:		<b>Timing Belt and Tensioner Kit</b>		
	Bearing .....	[2] BR11	1995	2.0L SOHC Eng.:	
	(Set Components) .....	JL69349/JL69310		Belt & Tensioner Kit .....	VKMA41002
<b>Input Shaft</b>			1995	2.0L DOHC Eng.:	
1995	All:			Belt & Tensioner Kit .....	VKMA41004
	Bearing .....	FC67560	<b>Timing Cover</b>		
<b>Output Shaft</b>			1995	1.8L, 2.0L & 2.4L Eng.:	
1995	All:			Seal .....	12717
	Seal .....	15750		(Speedi-Sleeve) .....	99128
	(Speedi-Sleeve) .....	99157	<b>Engine</b>		
<b>Camshaft Front</b>			1995	1.8L, 2.0L & 2.4L Eng.:	
	Seal .....	13709		(Speedi-Sleeve) .....	99139
	(Speedi-Sleeve) .....	99139	<b>Crankshaft-Rear</b>		
1995	2.0L Eng.:			Seal .....	35905
	Seal .....	35905			

**Dodge (FWD) Stealth**

<b>Wheel Front</b>			<b>Clutch</b>		
1995-1991	w/o A.W.D.:		<b>Release</b>		
	Seal (Inner) .....	23458	1995-1991	w/o A.W.D.:	
	Seal (Outer) .....	22821		Bearing Assembly .....	N3067
	Sealed Bearing .....	GRW218	1995-1991	A.W.D.:	
1995-1991	Stealth Ultimate w/A.W.D.:			Bearing Assembly .....	N3652
	Hub Assembly .....	BR930354	<b>Transaxle-Automatic</b>		
<b>Wheel Rear</b>			<b>Front Pump</b>		
1995-1991	All:		1995-1991	All:	
	Hub Assembly .....	BR930170		Seal .....	16897
<b>Axle Shaft</b>				(Speedi-Sleeve) .....	99182
1995-1991	A.W.D.:		<b>Output Shaft</b>		
	Seal .....	14054	1995-1993	All:	
	Sealed Bearing (Inner) .....	GRW163		Seal .....	14787
	Sealed Bearing (Outer) .....	GRW165	1992-1991	All:	
<b>Pinion</b>				Seal .....	14006
<b>Rear Axle</b>				(Speedi-Sleeve) .....	99139
1995-1991	A.W.D.:		<b>Transaxle-Manual</b>		
	Seal .....	16553	<b>Input Shaft</b>		
	(Speedi-Sleeve) .....	99169	1995	6 Spd. Trans.:	
	Bearing (Front) .....	M88043/M88010		Seal .....	10923
	Bearing (Rear) .....	HM89448/HM89410		(Speedi-Sleeve) .....	99111
<b>Differential</b>				Bearing .....	BR80
<b>Rear Axle</b>			1995-1993	5 Spd. Trans.:	
1995-1991	A.W.D.:			Seal .....	9709
	Seal .....	17193		(Speedi-Sleeve) .....	99098
			1992-1991	All:	
				Seal .....	9706
				(Speedi-Sleeve) .....	99098
			(Continued)		

## Dodge (FWD) Stealth -- (Cont.)

MFG./YEAR	MODEL & LOCATION	PART NO.	MFG./YEAR	MODEL & LOCATION	PART NO.
<b>Transaxle-Manual (Cont.)</b>			<b>Engine (Cont.)</b>		
<b>Output Shaft</b>			<b>Crankshaft-Rear</b>		
1995	6 Spd. Trans.:		1995-1991	All:	
	Seal (L.H.) .....	15292		Seal .....	36204
	(Speedi-Sleeve) (L.H.) .....	99147	<b>Timing Belt Idler</b>		
	Seal (R.H.) .....	14506	1994	Stealth w/3.0L Twin Turbo Eng.:	
1995-1993	5 Spd. Trans.:			Bearing & Housing Assy. ....	VKM75000
	Seal .....	14787	<b>Timing Belt Tensioner</b>		
	Bearing .....	BR30306	1995	Stealth RT Sport w/3.0L Turbo Eng.:	
1992-1991	All:			Bearing & Housing Assy. ....	VKM75000
	Seal .....	14006	1995	Stealth w/o RT Sport w/3.0L Turbo Eng.:	
	(Speedi-Sleeve) .....	99139		Bearing & Housing Assy. ....	VKM75004
<b>Transmission</b>			1994	Stealth w/3.0L Twin Turbo Eng.:	
<b>Kit</b>				Bearing & Housing Assy. ....	VKM75004
1993	RWD, NV4500 Trans Mfr Code, 5 Speed; Gas or Diesel:		<b>Timing Belt and Tensioner Kit</b>		
	Light Duty Kit .....	STK4500-D	1995-1991	3.0L (SOHC) Eng.:	
<b>Engine</b>				Belt & Tensioner Kit .....	VKMA95003
<b>Camshaft Front</b>			<b>Timing Cover</b>		
1995-1991	SOHC:		1995-1991	3.0L Eng.:	
	Seal .....	13943		Seal .....	14671
	(Speedi-Sleeve) .....	99139	<b>Timing Cover</b>		
1995-1991	DOHC:		<b>Timing Cover</b>		
	Seal .....	11608	<b>Timing Cover</b>		
	(Speedi-Sleeve) .....	99114	<b>Timing Cover</b>		
<b>Camshaft Rear</b>			<b>Timing Cover</b>		
1995-1991	SOHC:		<b>Timing Cover</b>		
	Seal .....	17943	<b>Timing Cover</b>		
1995-1991	DOHC:		<b>Timing Cover</b>		
	Seal .....	14496	<b>Timing Cover</b>		

## Dodge (FWD) Stratus

<b>Wheel Front</b>			<b>Transaxle-Automatic (Cont.)</b>		
1995	Sed.:		<b>Output Shaft</b>		
	Hub Assembly .....	BR930138	1995	4 Spd. Trans.:	
<b>Wheel Rear</b>				Seal .....	15750
1995	Sed. w/o ABS:			(Speedi-Sleeve) .....	99157
	Hub Assembly .....	BR930194	<b>Shift Shaft</b>		
1995	ABS:		1995	All:	
	Hub Assembly .....	BR930176		Seal .....	8017
<b>Clutch</b>			<b>Transfer Shaft</b>		
<b>Release</b>			1995	All:	
1995	All:			Bearing (Front) .....	BR13687
	Bearing Assembly .....	N4166		Bearing (Rear) .....	BR35
<b>Transaxle-Automatic</b>				(Set Components) .....	LM501349/LM501310
<b>Differential</b>			<b>Transaxle-Manual</b>		
1995	4 Spd. Trans.:		<b>Differential</b>		
	Bearing (L.H.) .....	NP889967/NP178207	1995	A578 Trans.:	
	Bearing (R.H.) .....	BR11		Bearing .....	[2] BR11
	(Set Components) .....	JL69349/JL69310		(Set Components) .....	JL69349/JL69310
<b>Front Pump</b>			<b>Output Shaft</b>		
1995	4 Spd. Trans.:		1995	A578 Trans.:	
	Seal .....	14939		Seal .....	15750
	(Speedi-Sleeve) .....	99149		(Speedi-Sleeve) .....	99157
			(Continued)		

MFG./YEAR	MODEL & LOCATION	PART NO.	MFG./YEAR	MODEL & LOCATION	PART NO.
<b>Transaxle-Manual (Cont.)</b>			<b>Engine (Cont.)</b>		
<b>Shift Shaft</b>			<b>Timing Belt Tensioner</b>		
1995	All:		1995	2.0L SOHC Eng.:	
	Seal .....	7000		Bearing (Tensioner) .....	VKM51001
	(Speedi-Sleeve) .....	99082		Bearing & Adjuster .....	VKM51003
<b>Engine</b>				Brg. & Hsg. Assy. w/Metal Brkt. ....	VKM55008
<b>Camshaft</b>				Brg. & Adjuster w/Aluminum Brkt. ....	VKM55016
1995	2.4L DOHC Eng.:		1995	2.5L Eng.:	
	Seal .....	13709		Bearing & Housing Assy. ....	VKM75000
	(Speedi-Sleeve) .....	99139	<b>Timing Belt and Tensioner Kit</b>		
1995	2.5L Eng.:		1995	2.5L Eng.:	
	Seal .....	13943		Belt & Tensioner Kit .....	VKMA95613
	(Speedi-Sleeve) .....	99139	1995	2.0L SOHC Eng.:	
1995	2.0L Eng.:			Belt & Tensioner Kit .....	VKMA41002
	Seal .....	13709	<b>Timing Cover</b>		
	(Speedi-Sleeve) .....	99139	1995	2.0L & 2.4L Engs.:	
<b>Crankshaft-Rear</b>				Seal .....	12717
1995	2.0L, 2.4L & 2.5L Engs.:			(Speedi-Sleeve) .....	99128
	Seal .....	35905	1995	2.5L Eng.:	
<b>Timing Belt Idler</b>				Seal .....	14671
1995	2.4L Eng.:				
	Bearing & Housing Assy. ....	VKM51007			
1995	2.5L Eng.:				
	Bearing & Housing Assy. ....	VKM61000			

**Dodge (FWD) Caravan, Grand Caravan, Mini Ram Van, Royal Ram Van**

<b>Wheel Front</b>			<b>Wheel Rear (Cont.)</b>		
1995-1991	14" Whls.:		<b>Axle Shaft</b>		
	Seal .....	21952	1995	All:	
	Seal (w/Sleeve) .....	21962		Seal .....	15750
	Hub Assembly .....	BR930013	<b>Clutch</b>		
1995-1989	15" Whls.:		<b>Release</b>		
	Seal .....	21952	1993-1990	All:	
	Seal (w/Sleeve) .....	21962		Bearing Assembly .....	N4122
	Hub Assembly (Kit) .....	BR930021K	1989-1984	All:	
1990-1988	14" Whls.:			Bearing Assembly .....	N3013-SA
	Seal .....	21952	<b>Transaxle-Automatic</b>		
	Seal (w/Sleeve) .....	21962	<b>Differential</b>		
	Bearing .....	B42	1995	41TE Trans. w/A.W.D.:	
	Hub Assembly (4 Bolt) .....	BR930001		Bearing (L.H.) .....	BR11
	Hub Assembly (5 Bolt) .....	BR930002		(Set Components) .....	JL69349/JL69310
1988	15" Whls.:			Bearing (R.H.) .....	LM503349/LM503310
	Hub Assembly .....	BR930197	1995-1984	31TH & 41TE Trans. w/o A.W.D.:	
1987-1984	All:			Bearing .....	[2] BR11
	Seal .....	21952		(Set Components) .....	JL69349/JL69310
	Seal (w/Sleeve) .....	21962	1994-1992	41TE Trans. w/A.W.D.:	
	Bearing .....	B42		Bearing (L.H.) .....	BR11
	Hub Assembly (4 Bolt) .....	BR930001		(Set Components) .....	JL69349/JL69310
	Hub Assembly (5 Bolt) .....	BR930002	<b>Front Pump</b>		
<b>Wheel Rear</b>			1995-1991	4 Spd. Trans.:	
1995-1991	A.W.D.:			Seal .....	14939
	Hub Assembly .....	BR930193		(Speedi-Sleeve) .....	99149
1995-1984	w/o A.W.D.:		1990-1984	All:	
	Seal .....	18009		Seal .....	15022
	Bearing (Inner) .....	BR17		(Speedi-Sleeve) .....	99149
	(Set Components) .....	L68149/L68111			
	Bearing (Outer) .....	BR16			
	(Set Components) .....	LM12749/LM12711			

(Continued)

Dodge (FWD) Caravan, Grand Caravan, Mini Ram Van, Royal Ram Van -- (Cont.)

MFG./YEAR	MODEL & LOCATION	PART NO.	MFG./YEAR	MODEL & LOCATION	PART NO.
<b>Transaxle-Automatic (Cont.)</b>			<b>Alternator (Cont.)</b>		
<b>Output Shaft</b>			1987-1986 40, 90 & 100 Amp. Stamped No. 5226600:		
1995-1984 All:			Bearing (Front) ..... 6203-2RSJ		
Seal ..... 15750			Bearing (Rear) ..... 6201-J		
(Speedi-Sleeve) ..... 99157			1987-1986 2.2L Eng.:		
<b>Shift Shaft</b>			Bearing (Rear) ..... MNJ471-S		
1995-1984 All:			1987-1986 2.6L Eng.:		
Seal ..... 8017			Bearing (Rear) ..... 6201-ZJ		
<b>Transfer Shaft</b>			1987-1986 40, 90 & 100 Amp. Stamped No. 5227100 & 5227200:		
1995 31TH Trans.:			Bearing ..... [2] 6203-2RSJ		
Bearing ..... [2] BR11			1985-1984 2.2L Eng.:		
(Set Components) ..... JL69349/JL69310			Bearing (Front) ..... 6203-2RSJ		
1995 41AE & 41TE Trans.:			Bearing (Rear) ..... MNJ471-S		
Bearing (Front) ..... BR13687/BR13621			<b>Engine</b>		
Bearing (Rear) ..... BR35			<b>Camshaft Front</b>		
(Set Components) ..... LM501349/LM501310			1995-1988 3.0L Eng.:		
<b>Transaxle-Manual</b>			Seal ..... 13943		
<b>Input Shaft</b>			(Speedi-Sleeve) ..... 99139		
1992-1984 All:			1995 2.5L Eng.:		
Seal ..... 10583			Seal ..... 13943		
(Speedi-Sleeve) ..... 99106			(Speedi-Sleeve) ..... 99139		
Bearing (Front) ..... BR4			1994-1984 2.2L & 2.5L Eng.:		
(Set Components) ..... L44649/L44610			Seal ..... 13624		
Bearing (Rear) ..... BR5			(Speedi-Sleeve) ..... 99139		
(Set Components) ..... LM48548/LM48510			1987-1984 2.6L Eng.:		
<b>Output Shaft</b>			Seal ..... 9065		
1992-1984 All:			<b>Camshaft Rear</b>		
Seal ..... 15750			1995-1988 3.0L Eng.:		
(Speedi-Sleeve) ..... 99157			Seal ..... 17943		
<b>Transfer Case</b>			<b>Crankshaft-Rear</b>		
<b>Front Output Shaft</b>			1995-1984 2.2L, 2.4L, 2.5L & 3.0L Eng.:		
1995-1991 A.W.D.:			Seal ..... 36204		
Seal (Inner) ..... 15750			1995-1990 3.3L & 3.8L Eng.:		
(Speedi-Sleeve) (Inner) ..... 99157			Seal ..... 35828		
Seal (Outer) ..... 11600			1987-1984 2.6L Eng.:		
(Speedi-Sleeve) (Outer) ..... 99114			Seal ..... 31506		
Bearing ..... 6006-J			(Speedi-Sleeve) ..... 99317		
<b>Input Shaft</b>			<b>Timing Belt Tensioner</b>		
1995-1991 A.W.D.:			1995-1987 3.0L Eng.:		
Seal ..... 18443			Bearing & Housing Assy. .... VKM75004		
<b>Output Shaft</b>			1995 2.5L Eng.:		
1995-1991 A.W.D.:			Bearing & Housing Assy. .... VKM61000		
Seal ..... 18443			<b>Timing Belt and Tensioner Kit</b>		
<b>Rear Output Shaft</b>			1995-1987 Caravan & Grand Caravan w/3.0L Eng.:		
1995-1991 All:			Belt & Tensioner Kit ..... VKMA95003		
Seal ..... 14942			1995-1989 Caravan & Grand Caravan w/2.5L Eng.:		
(Speedi-Sleeve) ..... 99149			Belt & Tensioner Kit ..... VKMA41000		
<b>Alternator</b>			1987-1985 Caravan w/2.2L Eng.:		
1989 Bosch 40 & 90 Amp.:			Belt & Tensioner Kit ..... VKMA41001		
Bearing (Front) ..... 6203-2RSJ			<b>Timing Cover</b>		
1989-1988 Chrysler 40, 50, 90 & 120 Amp.:			1995-1990 3.3L & 3.8L Eng.:		
Bearing (Rear) ..... 6203-2RSJ			Seal ..... 11122		
1988 Bosch 40 & 90 Amp. Stamped No. 5233549:			(Speedi-Sleeve) ..... 99112		
Bearing (Front) ..... 6303-2RSJ			1995-1987 3.0L Eng.:		
Bearing (Rear) ..... 6201-2RSJ			Seal ..... 14671		
1988 Bosch 40 & 90 Amp. Stamped No. 5233574:			1995-1987 2.5L Eng.:		
Bearing (Front) ..... 6203-2RSJ			Seal ..... 11122		
Bearing (Rear) ..... 6201-2RSJ			(Speedi-Sleeve) ..... 99112		
			(Continued)		

# Passenger cars, light & medium trucks

## (Cont.) -- Dodge (FWD) Caravan, Grand Caravan, Mini Ram Van, Royal Ram Van

MFG./YEAR	MODEL & LOCATION	PART NO.	MFG./YEAR	MODEL & LOCATION	PART NO.
<b>Engine (Cont.)</b>			<b>Steering-Power</b>		
<b>Timing Cover (Cont.)</b>			<b>Pump Shaft</b>		
<b>1987-1984 2.2L Eng.:</b>			<b>1989-1984 All:</b>		
Seal .....		13624	Seal .....		7475
(Speedi-Sleeve) .....		99139	<b>Worm Shaft</b>		
<b>1987-1984 2.6L Eng.:</b>			<b>1989-1984 All:</b>		
Seal .....		18854	Seal .....		6139
(Speedi-Sleeve) .....		99189			

## Dodge (RWD) Challenger (from 1978), Colt (thru 1979), Colt Wagon (thru 1980), Conquest (thru 1986)

### Wheel Front

<b>1986-1984 Conquest:</b>		
Seal .....		17340
Bearing (Inner) .....		BR6
(Set Components) .....	LM67048/LM67010	
Bearing (Outer) .....		BR2
(Set Components) .....	LM11949/LM11910	
<b>1983-1978 Challenger:</b>		
Seal .....		17340
Bearing (Inner) .....		BR6
(Set Components) .....	LM67048/LM67010	
Bearing (Outer) .....		BR2
(Set Components) .....	LM11949/LM11910	
<b>1979-1971 Colt:</b>		
Seal .....		14709
Bearing (Inner) .....		BR4
(Set Components) .....	L44649/L44610	
Bearing (Outer) .....		BR1
(Set Components) .....	LM11749/LM11710	

### Wheel Rear

<b>1986-1984 Conquest:</b>		
Seal .....		15850
Bearing (Inner) .....		6206-RSJ
Bearing (Outer) .....		6207-RSJ
<b>1983-1971 All:</b>		
Seal .....		20420
Sealed Bearing w/Lock Ring .....		GRW128-R

### Pinion

<b>1986-1985 Conquest w/Turbo Exc. I/C:</b>		
Seal .....		16527
(Speedi-Sleeve) .....		99169
Bearing (Front) .....		M86649/M86610
Bearing (Rear) .....		HM89449/HM89410
<b>1986-1985 Conquest w/I/C Turbo:</b>		
Seal .....		17667
(Speedi-Sleeve) .....		99177
Bearing (Front) .....		BR52
(Set Components) .....	M88048/M88010	
Bearing (Rear) .....		HM89448/HM89410
<b>1984-1980 Challenger &amp; Conquest:</b>		
Seal .....		16527
(Speedi-Sleeve) .....		99169
Bearing (Front) .....		M86649/M86610
Bearing (Rear) .....		HM89448/HM89410

### Pinion (Cont.)

<b>1979-1978 Challenger &amp; Colt w/2.6L Eng.:</b>		
Seal .....		16525
(Speedi-Sleeve) .....		99169
Bearing (Front) .....		M86649/M86610
Bearing (Rear) .....		HM89449/HM89410
<b>1979-1978 Challenger &amp; Colt Exc. 2.6L Eng.:</b>		
Seal .....		13973
(Speedi-Sleeve) .....		99139
Bearing (Front) .....		BR30305
Bearing (Rear) .....		BR32207
<b>1977-1975 All:</b>		
Seal .....		13973
(Speedi-Sleeve) .....		99139
Bearing (Front) .....		BR30305
Bearing (Rear) .....		BR32207
<b>1974-1971 All:</b>		
Seal .....		13876
(Speedi-Sleeve) .....		99138
Bearing (Front) .....		BR30305
Bearing (Rear) .....		BR32207

### Differential

<b>1986-1984 Conquest:</b>		
Seal .....		13973
(Speedi-Sleeve) .....		99139
Bearing .....	[2]	KC11445-Y
(Set Components) .....		BR17887/BR17831
<b>1983-1980 Challenger:</b>		
Bearing .....	[2]	BR30207
<b>1979-1978 Challenger w/2.6L Eng.:</b>		
Bearing .....	[2]	BR35
(Set Components) .....		LM501349/LM501310
<b>1979-1971 Challenger &amp; Colt Exc. 2.6L Eng.:</b>		
Bearing .....	[2]	BR30207

### Clutch

#### Pilot

<b>1986-1984 Conquest:</b>		
Bearing .....		6002-2RSJ

#### Release

<b>1986-1985 Conquest TSi I/C Turbo:</b>		
Bearing Assembly .....		N4053
<b>1986-1984 Conquest w/Turbo Exc. TSi:</b>		
Bearing Assembly .....		N4030
<b>1983-1979 Challenger &amp; Colt w/2.6L Eng.:</b>		
Bearing Assembly .....		N4030
<b>1979-1971 Challenger &amp; Colt w/1.6L Eng.:</b>		
Bearing Only .....		N3055
Bearing Assembly .....		N3007

(Continued)

**Dodge (RWD) Challenger (from 1978), Colt (thru 1979), Colt Wagon (thru 1980), Conquest (thru 1986) - (Cont.)**

MFG./YEAR	MODEL & LOCATION	PART NO.	MFG./YEAR	MODEL & LOCATION	PART NO.
<b>Clutch (Cont.)</b>			<b>Alternator</b>		
<b>Release (Cont.)</b>			<b>1986-1984 Conquest:</b>		
<b>1978</b>	<b>Challenger w/2.6L Eng.:</b>		Bearing (Front) .....	6302-2ZJ	
	Bearing Only .....	N3055	Bearing (Rear) .....	6201-2ZJ	
	Bearing Assembly .....	N3007	<b>1983 Challenger:</b>		
<b>1978-1974</b>	<b>Challenger &amp; Colt w/2.0L Eng.:</b>		Bearing (Front) .....	6202-2RSJ	
	Bearing Assembly .....	N4030	Bearing (Rear) .....	6201-2ZJ	
<b>Transmission-Automatic</b>			<b>1982-1978 Challenger:</b>		
<b>Front Pump</b>			Bearing (Front) .....	6302-2ZJ	
<b>1986-1984 All:</b>			Bearing (Rear) .....	6201-2ZJ	
Seal .....	16517		<b>1980-1975 Colt:</b>		
(Speedi-Sleeve) .....	99169		Bearing (Front) .....	6203-2RSJ	
<b>1983-1976 All:</b>			Bearing (Rear) .....	6201-2RSJ	
Seal .....	15022		<b>1974-1971 All:</b>		
(Speedi-Sleeve) .....	99149		Bearing (Front) .....	6203-2RSJ	
<b>1975-1974 A904 Trans.:</b>			Bearing (Rear) .....	6201-2ZJ	
Seal .....	15022		<b>Engine</b>		
(Speedi-Sleeve) .....	99149		<b>Camshaft</b>		
<b>1975-1971 w/o A904 Trans.:</b>			<b>1980-1971 1.4L, 1.5L, 1.6L, 1.8L &amp; 2.0L Engs.:</b>		
Seal .....	16696		Seal .....	13943	
(Speedi-Sleeve) .....	99168		(Speedi-Sleeve) .....	99139	
<b>Rear</b>			<b>Crankshaft-Rear</b>		
<b>1986-1984 Conquest:</b>			<b>1986-1974 2.0L &amp; 2.6L Engs.:</b>		
Seal .....	14716		Seal .....	31506	
(Speedi-Sleeve) .....	99147		(Speedi-Sleeve) .....	99317	
<b>1983-1976 All:</b>			<b>1979-1976 1.4L &amp; 1.6L Engs.:</b>		
Seal .....	15546		Seal .....	28308	
(Speedi-Sleeve) .....	99156		(Speedi-Sleeve) .....	99284	
<b>1975-1974 w/o A904 Trans.:</b>			<b>1975-1971 1.6L Eng.:</b>		
Seal .....	550095		Seal .....	31506	
<b>1975-1974 A904 Trans.:</b>			(Speedi-Sleeve) .....	99317	
Seal .....	15546		<b>Timing Cover</b>		
(Speedi-Sleeve) .....	99156		<b>1986-1974 2.0L &amp; 2.6L Engs.:</b>		
<b>1973-1971 Model 41 Trans.:</b>			Seal .....	11671	
Seal .....	550095		(Speedi-Sleeve) .....	99114	
(Speedi-Sleeve) .....	99138		<b>1980-1979 1.4L Eng.:</b>		
<b>Transmission-Manual</b>			Seal .....	11671	
<b>Front</b>			(Speedi-Sleeve) .....	99114	
<b>1986-1980 All:</b>			<b>1980-1978 1.6L Eng.:</b>		
Seal .....	11615		Seal .....	17271	
(Speedi-Sleeve) .....	99114		(Speedi-Sleeve) .....	99174	
<b>1979-1971 All:</b>			(Speedi-Sleeve/Seal Kit) .....	480173	
Seal .....	9705		<b>1977-1976 1.6L Eng. w/o Balance Sh.:</b>		
(Speedi-Sleeve) .....	99098		Seal .....	17160	
<b>Rear</b>			<b>1977-1976 1.6L Eng. w/Balance Sh.:</b>		
<b>1986-1980 All:</b>			Seal .....	17271	
Seal .....	14017		(Speedi-Sleeve) .....	99174	
(Speedi-Sleeve) .....	99146		(Speedi-Sleeve/Seal Kit) .....	480173	
<b>1979-1971 All:</b>			<b>1975-1971 1.6L Eng.:</b>		
Seal .....	12736		Seal .....	17160	
(Speedi-Sleeve) .....	99128		<b>Steering-Power</b>		
Bearing .....	6307-NRJ		<b>Pitman Shaft</b>		
<b>Shift Shaft</b>			<b>1983-1978 All:</b>		
<b>1986-1971 All:</b>			Seal .....	7400	
Seal .....	7003		<b>Pump Shaft</b>		
(Speedi-Sleeve) .....	99082		<b>1983-1978 All:</b>		
			Seal .....	7005	
				(Continued)	

## Passenger cars, light & medium trucks

(Cont.) -- Dodge (RWD) Challenger (from 1978), Colt (thru 1979), Colt Wagon (thru 1980), Conquest (thru 1986)

MFG./YEAR	MODEL & LOCATION	PART NO.	MFG./YEAR	MODEL & LOCATION	PART NO.
<b>Steering-Standard Pitman Shaft</b>			<b>Steering-Standard (Cont.) Worm Shaft</b>		
1983-1971 All:			1983-1971 All:		
	Seal .....	10930		Seal .....	◇7210
				(Superseded by:)	7473

## Dodge (RWD) Aspen, Challenger (thru 1974), Dart, Demon, Lancer (1962-61), Swinger

### Wheel Front

<b>1980-1973 Disc Brks.:</b>	
Seal .....	19500
Bearing (Inner) .....	BR17
(Set Components) .....	L68149/L68111
Bearing (Outer) .....	BR2
(Set Components) .....	LM11949/LM11910
<b>1976-1973 Drum Brks.:</b>	
Seal .....	19221
Bearing (Inner) .....	BR17
(Set Components) .....	L68149/L68111
Bearing (Outer) .....	BR2
(Set Components) .....	LM11949/LM11910
<b>1972-1970 11" Brks.:</b>	
Seal .....	17110
Bearing (Inner) .....	BR6
(Set Components) .....	LM67048/LM67010
Bearing (Outer) .....	BR2
(Set Components) .....	LM11949/LM11910
<b>1972-1966 10" Brks.:</b>	
Seal .....	17115
Bearing (Inner) .....	BR6
(Set Components) .....	LM67048/LM67010
Bearing (Outer) .....	BR2
(Set Components) .....	LM11949/LM11910
<b>1972-1960 9" Brks.:</b>	
Seal .....	14848
Bearing (Inner) .....	BR4
(Set Components) .....	L44649/L44610
Bearing (Outer) .....	BR1
(Set Components) .....	LM11749/LM11710
<b>1965-1963 10" Brks.:</b>	
Seal .....	17110
Bearing (Inner) .....	BR6
(Set Components) .....	LM67048/LM67010
Bearing (Outer) .....	BR2
(Set Components) .....	LM11949/LM11910

### Wheel Rear

<b>1980-1977 7.25" Ring Gear:</b>	
Seal .....	13992
Sealed Bearing w/Lock Ring .....	RWC35-YYR
<b>1980-1972 8.25" Ring Gear:</b>	
Seal .....	◇16044
(Superseded by:)	16404
Bearing .....	R1559-TV
(Axle Repair Brg. Assy.) .....	• R1559
<b>1976-1973 7.25" Ring Gear w/9" Brks.:</b>	
Seal .....	13418
Sealed Bearing w/Lock Ring .....	RWF34-R

### Wheel Rear (Cont.)

<b>1976-1972 7.25" Ring Gear w/10" Brks.:</b>	
Seal .....	13992
Sealed Bearing w/Lock Ring .....	RWC35-YYR
<b>1972 7.25" Ring Gear w/o 10" Brks.:</b>	
Seal .....	13418
Sealed Bearing w/Lock Ring .....	RWF34-R
<b>1972-1966 8.75" Ring Gear:</b>	
Seal (Inner) .....	15460
Seal (Outer) .....	19000
Bearing .....	BR7
(Set Components) .....	M201047-S/M201011
<b>1971-1963 7.25" Ring Gear:</b>	
Seal .....	13418
Sealed Bearing w/Lock Ring .....	RWF34-R
<b>1962-1960 Exc. Lancer:</b>	
Seal .....	13892
Bearing .....	BR25877/BR25821

### Pinion

<b>1980-1972 8.25" Ring Gear:</b>	
Seal .....	16805
(Speedi-Sleeve) .....	99168
Bearing (Front) .....	M86649/M86610
Bearing (Rear) .....	M802048/M802011
<b>1980-1970 7.25" Ring Gear:</b>	
Seal .....	16805
(Speedi-Sleeve) .....	99168
Bearing (Front) .....	M86649/M86610
Bearing (Rear) .....	HM88649/HM88610
<b>1972-1970 8.75" Ring Gear w/1.375" Pinion Sh.:</b>	
Seal .....	18708
(Speedi-Sleeve) .....	99187
Bearing (Front) .....	BR52
(Set Components) .....	M88048/M88010
Bearing (Rear) .....	HM89446/HM89410
<b>1972-1968 8.75" Ring Gear w/1.875" Pinion Sh.:</b>	
Seal .....	18708
(Speedi-Sleeve) .....	99187
Bearing (Front) .....	BR52
(Set Components) .....	M88048/M88010
Bearing (Rear) .....	M804049/M804010
<b>1971-1970 9.75" Ring Gear:</b>	
Seal .....	18888
(Speedi-Sleeve) .....	99187
Bearing (Front) .....	HM88542/HM88510
Bearing (Rear) .....	HM803146/HM803110

(Continued)

**Dodge (RWD) Aspen, Challenger (thru 1974), Dart, Demon, Lancer (1962-61), Swinger -- (Cont.)**

MFG./YEAR	MODEL & LOCATION	PART NO.	MFG./YEAR	MODEL & LOCATION	PART NO.
<b>Pinion (Cont.)</b>			<b>Clutch</b>		
1969-1966	8.75" Ring Gear w/1.375" Pinion Sh.:		<b>Pilot</b>		
	Seal .....	18708	1980-1960	All:	
	(Speedi-Sleeve) .....	99187		Bearing .....	B286
	Bearing (Front) .....	BR52	<b>Release</b>		
	(Set Components) .....	M88048/M88010	1980-1973	All:	
	Bearing (Rear) .....	HM89443/HM89410		Bearing Only .....	N1054
1969-1966	8.75" Ring Gear w/1.75" Pinion Sh.:			Bearing Assembly .....	N1463
	Seal .....	18912		(Self-Aligning) .....	N1463-SA
	(Speedi-Sleeve) .....	99187	1972-1970	8 Cyl. Eng. Exc. 426 & 440 Engs.:	
	Bearing (Front) .....	HM89443/HM89410		Bearing Only .....	N1054
	Bearing (Rear) .....	HM803149/HM803110		Bearing Assembly .....	N1463
1969-1960	7.25" Ring Gear:			(Self-Aligning) .....	N1463-SA
	Seal .....	16945	1972-1970	8 Cyl. Eng. w/426 & 440 Engs.:	
	(Speedi-Sleeve) .....	99168		Bearing Only .....	N1181
	Bearing (Front) .....	M86649/M86610	1971-1970	6 Cyl. Eng. Exc. H.D. Trans.:	
	Bearing (Rear) .....	HM88649/HM88610		Bearing Only .....	N1054
<b>Differential</b>				Bearing Assembly .....	N1463
1980-1975	8.25" Ring Gear:			(Self-Aligning) .....	N1463-SA
	Bearing .....	[2] BR36	1971-1970	6 Cyl Eng. w/H.D. Trans.:	
	(Set Components) .....	LM603049/LM603012		Bearing Only .....	N1054
1980-1960	7.25" Ring Gear:		1969-1960	All:	
	Bearing .....	[2] BR35		Bearing Only .....	N1054
	(Set Components) .....	LM501349/LM501310		Bearing Assembly .....	N1463
1974-1972	8.25" Ring Gear:			(Self-Aligning) .....	N1463-SA
	Bearing .....	[2] BR50	<b>Transmission-Automatic</b>		
	(Set Components) .....	LM102949/LM102910	<b>Front Pump</b>		
1974-1969	8.75" Ring Gear:		1980-1968	A727 Trans.:	
	Bearing .....	[2] LM104949/LM104912		Seal .....	18508
1971-1970	9.75" Ring Gear:		1980-1968	A904 & A941 Trans.:	
	Bearing .....	[2] 387-A/382-S		Seal .....	15022
1968	8.75" Ring Gear Exc. Collapsible Spacer Type			(Speedi-Sleeve) .....	99149
	Axle:		1967-1962	All:	
	Bearing .....	[2] BR25590/BR25520		Seal .....	18508
1968	8.75" Ring Gear w/Collapsible Spacer Type		1961-1960	All:	
	Axle:			Seal .....	21103
	Bearing .....	[2] LM104949/LM104912		(Speedi-Sleeve) .....	99212
1967-1966	8.75" Ring Gear:		<b>Rear</b>		
	Bearing .....	[2] BR25590/BR25520	1980-1973	A904 & A941 Trans.:	
<b>Kit</b>				Seal .....	15546
1980	8.25 " & 8.375 " Ring Gear:			(Speedi-Sleeve) .....	99156
	Standard Seal and Bearing Kit Rear .....	SDK303	1980-1963	A727 Trans.:	
	Master Seal and Bearing Kit Rear .....	SDK303-MK		Seal .....	16725
1979-1976	7.25 " Ring Gear:			(Speedi-Sleeve) .....	99168
	Standard Seal and Bearing Kit Rear .....	SDK302		(Speedi-Sleeve/Seal Kit) .....	480168
1976-1972	8.25 " & 8.375 " Ring Gear:			Bearing .....	■ 6207-VSP55
	Standard Seal and Bearing Kit Rear .....	SDK303	1972	A904 & A941 Trans. Exc. Trans. No. 3681061,	
	Master Seal and Bearing Kit Rear .....	SDK303-MK		063:	
1974-1969	8.75 " w/1.875 " Pin. Shaft O.D. Ring Gear:			Seal .....	15535
	Standard Seal and Bearing Kit Rear .....	SDK301		(Speedi-Sleeve) .....	99156
1972-1963	7.25 " Ring Gear:		1972	A904, A941 Trans. w/Trans. No. 3681061,	
	Standard Seal and Bearing Kit Rear .....	SDK302		063:	
1971-1970	Dana 60 Axle:			Seal .....	15546
	Standard Seal and Bearing Kit Rear .....	SDK331		(Speedi-Sleeve) .....	99156
1968-1966	8.75 " w/1.75 " Pin. Shaft O.D. Ring Gear:		1971-1963	A904 & A941 Trans.:	
	Standard Seal and Bearing Kit Rear .....	SDK300		Seal .....	15535
				(Speedi-Sleeve) .....	99156
			1962	8 Cyl. Eng.:	
				Seal .....	15620
				(Speedi-Sleeve) .....	99156

(Continued)



Passenger cars, light & medium trucks

(Cont.) -- Dodge (RWD) Aspen, Challenger (thru 1974), Dart, Demon, Lancer (1961-62), Swinger

MFG./YEAR	MODEL & LOCATION	PART NO.	MFG./YEAR	MODEL & LOCATION	PART NO.
<b>Transmission-Automatic (Cont.)</b>			<b>Transmission-Manual (Cont.)</b>		
<b>Rear (Cont.)</b>			<b>Rear</b>		
1962-1960	6 Cyl. Eng.:		1980-1977	All:	
	Seal	11518		Seal	15546
	(Speedi-Sleeve)	99120		(Speedi-Sleeve)	99156
1961-1960	8 Cyl. Eng. Exc. Power-Flite Trans.:			Bearing	■ 6307-NJ
	Seal	13535	1976-1975	A230 & A390 Trans.:	
	(Speedi-Sleeve)	99138		Seal	15546
1961-1960	Power-Flite Trans.:			(Speedi-Sleeve)	99156
	Seal	15620		Bearing	■ 6307-NJ
	(Speedi-Sleeve)	99156	1976-1966	A833 Trans.:	
<b>Transmission-Manual</b>				Seal	16725
<b>Countershaft</b>				(Speedi-Sleeve)	99168
1974-1973	A250 Trans.:			(Speedi-Sleeve/Seal Kit)	480168
	Bearing	[88] C407-Q		Bearing	■ 6307-NJ
1967-1965	3 Spd. Trans. w/6 Cyl. Eng.:		1974	A230 Trans. Exc. Trans. No. 3681834, 36:	
	Bearing	[44] C1086-Q		Seal	16725
1964-1960	3 Spd. Trans.:			(Speedi-Sleeve)	99168
	Bearing	[44] C1086-Q		(Speedi-Sleeve/Seal Kit)	480168
<b>Front</b>				Bearing	207-NRJ
1980-1977	All:		1974	A230 Trans. w/Trans. No. 3681834, 36:	
	Seal	10515		Seal	15546
	(Speedi-Sleeve)	99106		(Speedi-Sleeve)	99156
	Bearing	■ 6307-NJ		Bearing	■ 6307-NJ
1976-1975	A390 Tremac Trans.:		1974-1973	A250 Trans.:	
	Seal	11123		Seal	15546
	(Speedi-Sleeve)	99112		(Speedi-Sleeve)	99156
1976-1974	w/o A390 Trans.:			Bearing	■ 6307-NJ
	Seal	10515	1973	A230 Trans.:	
	(Speedi-Sleeve)	99106		Seal	15546
	Bearing	■ N6307-NJX		(Speedi-Sleeve)	99156
1973-1968	All:			Bearing	■ 6307-NJ
	Seal	10515	1972-1970	A230 Trans. Exc. Trans. No. 3681834, 36:	
	(Speedi-Sleeve)	99106		Seal	15535
	Bearing	207-NRJ		(Speedi-Sleeve)	99156
1967-1966	8 Cyl. Eng.:			Bearing	207-NRJ
	Seal	10515	1972-1970	A230 Trans. w/Trans. No. 3681834, 36:	
	(Speedi-Sleeve)	99106		Seal	16725
	Bearing	6307-NRJ		(Speedi-Sleeve)	99168
1967-1965	6 Cyl. Eng.:			(Speedi-Sleeve/Seal Kit)	480168
	Seal	10515		Bearing	■ 6307-NJ
	(Speedi-Sleeve)	99106	1972-1966	A903 Trans.:	
	Bearing	207-NRJ		Seal	15535
1965	8 Cyl. Eng.:			(Speedi-Sleeve)	99156
	Seal	10515		Bearing	207-NRJ
	(Speedi-Sleeve)	99106	1969-1966	A745 Trans.:	
1964-1960	All:			Seal	16725
	Seal	10515		(Speedi-Sleeve)	99168
	(Speedi-Sleeve)	99106		(Speedi-Sleeve/Seal Kit)	480168
	Bearing	207-NRJ		Bearing	■ 6307-NJ
<b>Mainshaft Pilot</b>			1965-1960	All:	
1980-1975	3 Spd. Trans. Exc. A390 Trans.:			Seal	11518
	Bearing	[14] QBR23549		(Speedi-Sleeve)	99120
1974-1961	3 Spd. H.D. Trans.:			Bearing	307-J
	Bearing	[15] QBR23549	<b>Reverse Idler</b>		
			1980-1960	3 Spd. Trans.:	
				Bearing	[22] C1086-Q
			(Continued)		

**Dodge (RWD) Aspen, Challenger (thru 1974), Dart, Demon, Lancer (1961-62), Swinger -- (Cont.)**

MFG./YEAR	MODEL & LOCATION	PART NO.	MFG./YEAR	MODEL & LOCATION	PART NO.
<b>Transmission-Manual (Cont.)</b>			<b>Engine (Cont.)</b>		
<b>Shift Shaft</b>			<b>Timing Cover (Cont.)</b>		
1977-1961	3 Spd. Trans.:		1974-1960	6 Cyl. Eng. Thru 4/18/74:	
	Seal .....	6141		Seal .....	22415
	(Speedi-Sleeve) .....	99062		(Speedi-Sleeve) .....	99226
<b>Air Conditioning Clutch</b>			1973 8 Cyl. Eng. From 12/4/72:		
1980-1968	8 Cyl. Eng.:			Seal .....	21820
	Bearing .....	5206-A2RS		(Speedi-Sleeve) .....	99218
1967-1960	6 & 8 Cyl. Eng.:		1972-1970 8 Cyl. Eng. Thru 12/3/72:		
	Bearing .....	5206-A2RS		Seal .....	21944
<b>Air Conditioning Compressor</b>				(Speedi-Sleeve) .....	99218
1968-1965	V2 Comp.:			(Speedi-Sleeve/Seal Kit) .....	480219
	Bearing .....	6205-J	1969-1960 8 Cyl. Eng.:		
1964-1960	All:			Seal .....	21944
	Bearing .....	6205-J		(Speedi-Sleeve) .....	99218
				(Speedi-Sleeve/Seal Kit) .....	480219
<b>Alternator</b>			<b>Steering-Power</b>		
1980-1975	w/o 100 Amp.:		<b>Pitman Shaft</b>		
	Bearing (Front) .....	6203-2RSJ	1961-1960 All:		
	Bearing (Rear) .....	MNJ471-S		Seal .....	9838
1980-1975	100 Amp.:		<b>Pump Shaft</b>		
	Bearing (Front) .....	6203-2ZJ	1980-1966 Key Slotted Sh.:		
1974-1963	All:			Seal .....	7475
	Bearing (Front) .....	6203-2RSJ	1975-1969 w/o Key Slotted Sh.:		
	Bearing (Rear) .....	MNJ471-S		Seal .....	6229
1962-1961	All:		1968-1963 4.625" Dia. Reservoir:		
	Bearing (Front) .....	6203-J		Seal .....	6767
	Bearing (Rear) .....	MNJ471-S	1962-1961 4.875" Dia. Reservoir:		
1960	All:			Seal .....	6229
	Bearing (Front) .....	6203-J	1962-1961 5.125" Dia. Reservoir:		
	Bearing (Rear) .....	6203-J		Seal .....	8019
<b>Engine</b>			1960 All:		
<b>Crankshaft-Rear</b>				Seal .....	6767
1980-1974	360 (5.9L) Eng.:		<b>Worm Shaft</b>		
	Seal Kit .....	214	1980-1978 All:		
1980-1970	8 Cyl. Exc. 360 (5.9L) Eng.:			Seal .....	6139
	Seal Kit .....	212	1977-1960 All:		
1969-1960	8 Cyl. Eng.:			Seal .....	6141
	Seal Kit .....	212	<b>Steering-Standard</b>		
<b>Timing Cover</b>			<b>Pitman Shaft</b>		
1980-1978	318 (5.2L) & 360 (5.9L) Eng.:		1961-1960 All:		
	Seal .....	21944		Seal .....	9815
	(Speedi-Sleeve) .....	99218	<b>Worm Shaft</b>		
	(Speedi-Sleeve/Seal Kit) .....	480219	1980-1960 All:		
1980-1974	6 Cyl. Eng. From 4/19/74:			Seal .....	7412
	Seal .....	22425			
	(Speedi-Sleeve) .....	99225			
1977-1976	8 Cyl. Eng.:				
	Seal .....	21820			
	(Speedi-Sleeve) .....	99218			
1975-1974	8 Cyl. Eng.:				
	Seal .....	21944			
	(Speedi-Sleeve) .....	99218			
	(Speedi-Sleeve/Seal Kit) .....	480219			

## Passenger cars, light & medium trucks

# Dodge (RWD) Adventurer, Charger (thru 1978), Coronet, De Soto, Diplomat, Firedome, Firelite, Firesweep, Magnum XE, Mirada, Monaco (thru 1978), Polara, St. Regis, Super Bee

MFG./YEAR	MODEL & LOCATION	PART NO.	MFG./YEAR	MODEL & LOCATION	PART NO.
<b>Wheel Front</b>			<b>Wheel Rear (Cont.)</b>		
<b>1989-1978 All:</b>			<b>1982-1970 8.25" &amp; 9.25" Ring Gears:</b>		
	Seal .....	19500		Seal .....	↔16044
	Bearing (Inner) .....	BR17		(Superseded by:)	16404
	(Set Components) .....	L68149/L68111		Bearing .....	R1559-TV
	Bearing (Outer) .....	BR2		(Axle Repair Brg. Assy.) .....	• R1559
	(Set Components) .....	LM11949/LM11910	<b>1974-1970 8.75" &amp; 9.75" Ring Gears:</b>		
<b>1977-1974 Exc. Monaco:</b>				Seal (Inner) .....	15460
	Seal .....	19500		Seal (Outer) .....	19000
	Bearing (Inner) .....	BR17		Bearing .....	BR7
	(Set Components) .....	L68149/L68111		(Set Components) .....	M201047-S/M201011
	Bearing (Outer) .....	BR2	<b>1971-1966 7.25" Ring Gear:</b>		
	(Set Components) .....	LM11949/LM11910		Seal .....	14092
<b>1977-1974 Monaco:</b>				Sealed Bearing w/Lock Ring .....	RWC35-YYR
	Seal .....	20425	<b>1969 8.25" Ring Gear:</b>		
	Bearing (Inner) .....	BR11		Seal .....	13992
	(Set Components) .....	JL69349/JL69310		Sealed Bearing w/Lock Ring .....	RWC35-YYR
	Bearing (Outer) .....	BR16	<b>1969-1966 9.75" Ring Gear:</b>		
	(Set Components) .....	LM12749/LM12711		Seal (Inner) .....	15142
<b>1973 All:</b>				Seal (Outer) .....	19000
	Seal .....	19500		Bearing .....	BR7
	Bearing (Inner) .....	BR17		(Set Components) .....	M201047-S/M201011
	(Set Components) .....	L68149/L68111	<b>1969-1965 8.75" &amp; 9.25" Ring Gears:</b>		
	Bearing (Outer) .....	BR16		Seal (Inner) .....	15460
	(Set Components) .....	LM12749/LM12711		Seal (Outer) .....	19000
<b>1972-1966 11" Brks.:</b>				Bearing .....	BR7
	Seal .....	17110		(Set Components) .....	M201047-S/M201011
	Bearing (Inner) .....	BR6	<b>1964-1960 All:</b>		
	(Set Components) .....	LM67048/LM67010		Seal (Inner) .....	15207
	Bearing (Outer) .....	BR2		Seal (Outer) .....	13500
	(Set Components) .....	LM11949/LM11910		Bearing .....	BR25877/BR25821
<b>1972-1960 10" Brks.:</b>			<b>1959-1958 w/o 7 &amp; 8 Pass. &amp; Wgn. w/1.50" Pinion Sh.:</b>		
	Seal .....	17115		Seal (Inner) .....	15207
	Bearing (Inner) .....	BR6		Seal (Outer) .....	13797
	(Set Components) .....	LM67048/LM67010		Bearing .....	BR25877/BR25821
	Bearing (Outer) .....	BR2	<b>1959-1957 w/o 7 &amp; 8 Pass. &amp; Wgn. w/1.375" Pinion Sh.:</b>		
	(Set Components) .....	LM11949/LM11910		Seal (Inner) .....	13892
<b>1959-1955 Exc. '56 8 Pass. &amp; Wgn.:</b>				Seal (Outer) .....	13797
	Seal .....	17115		Bearing .....	BR25877/BR25821
	Bearing (Inner) .....	BR6	<b>1956-1949 Exc. 7 &amp; 8 Pass.:</b>		
	(Set Components) .....	LM67048/LM67010		Seal .....	14359
	Bearing (Outer) .....	BR2		Bearing .....	BR2780/2735-X
	(Set Components) .....	LM11949/LM11910	<b>1956-1946 7 &amp; 8 Pass.:</b>		
<b>1956 8 Pass. &amp; Wgn.:</b>				Seal .....	14359
	Bearing (Inner) .....	BR5	<b>Pinion</b>		
	(Set Components) .....	LM48548/LM48510	<b>1989-1975 7.25" Ring Gear:</b>		
	Bearing (Outer) .....	BR3		Seal .....	16805
	(Set Components) .....	M12649/M12610		(Speedi-Sleeve) .....	99168
<b>1954-1949 Exc. 7 &amp; 8 Pass. &amp; Estate Wgn.:</b>				Bearing (Front) .....	M86649/M86610
	Seal .....	17131		Bearing (Rear) .....	HM88649/HM88610
<b>1954-1946 7 &amp; 8 Pass. &amp; Estate Wgn.:</b>			<b>1989-1975 8.25" Ring Gear:</b>		
	Seal .....	18242		Seal .....	16805
<b>Wheel Rear</b>				(Speedi-Sleeve) .....	99168
<b>1989-1983 7.25" &amp; 8.25" Ring Gears:</b>				Bearing (Front) .....	M86649/M86610
	Seal .....	↔16044		Bearing (Rear) .....	M802048/M802011
	(Superseded by:)	16404	(Continued)		
	Bearing .....	R1559-TV			
	(Axle Repair Brg. Assy.) .....	• R1559			
<b>1982-1977 7.25" Ring Gear:</b>					
	Seal .....	13992			
	Sealed Bearing w/Lock Ring .....	RWC35-YYR			

**Dodge (RWD) Adventurer, Charger (thru 1978), Coronet, De Soto, Diplomat, Firedome, Fireflite, Firesweep, Magnum XE, Mirada, Monaco (thru 1978), Polara, St. Regis, Super Bee -- (Cont.)**

MFG./YEAR	MODEL & LOCATION	PART NO.	MFG./YEAR	MODEL & LOCATION	PART NO.
<b>Pinion (Cont.)</b>			<b>Pinion (Cont.)</b>		
1981-1973	9.25" Ring Gear:		1962-1959	8.25" Ring Gear:	
	Seal	18708		Seal	18708
	(Speedi-Sleeve)	99187		(Speedi-Sleeve)	99187
	Bearing (Front)	BR52		Bearing (Front)	BR52
	(Set Components)	M88048/M88010		(Set Components)	M88048/M88010
	Bearing (Rear)	M804049/M804010		Bearing (Rear)	HM89446/HM89410
1974-1973	8.75" Ring Gear w/1.875" Pinion Sh.:		1962-1959	8.75" Ring Gear:	
	Seal	18708		Seal	18912
	(Speedi-Sleeve)	99187		(Speedi-Sleeve)	99187
	Bearing (Front)	BR52		Bearing (Front)	BR52
	(Set Components)	M88048/M88010		(Set Components)	M88048/M88010
	Bearing (Rear)	M804049/M804010		Bearing (Rear)	HM89446/HM89410
1974-1969	8.25" Ring Gear:		1959	Firesweep:	
	Seal	16805		Seal	18708
	(Speedi-Sleeve)	99168		(Speedi-Sleeve)	99187
	Bearing (Front)	M86649/M86610		Bearing (Front)	BR52
	Bearing (Rear)	HM88649/HM88610		(Set Components)	M88048/M88010
1972-1970	8.75" Ring Gear w/1.375" Pinion Sh.:			Bearing (Rear)	HM89446/HM89410
	Seal	18708	1958	Exc. Estate Wgn.:	
	(Speedi-Sleeve)	99187		Seal	18912
	Bearing (Front)	BR52		(Speedi-Sleeve)	99187
	(Set Components)	M88048/M88010		Bearing (Front)	HM89443/HM89410
	Bearing (Rear)	HM89446/HM89410		Bearing (Rear)	HM89446/HM89410
1972-1970	8.75" Ring Gear w/1.875" Pinion Sh.:		1957	Exc. 7 & 8 Pass. Wgn. & Firesweep:	
	Seal	18708		Seal	18880
	(Speedi-Sleeve)	99187		(Speedi-Sleeve)	99187
	Bearing (Front)	BR52		Bearing (Front)	HM89443/HM89410
	(Set Components)	M88048/M88010		Bearing (Rear)	HM89446/HM89410
	Bearing (Rear)	HM89446/HM89410	1957	Firesweep:	
1972-1966	9.75" Ring Gear:			Bearing (Front)	BR52
	Seal	18888		(Set Components)	M88048/M88010
	(Speedi-Sleeve)	99187		Bearing (Rear)	HM89446/HM89410
	Bearing (Front)	HM88542/HM88510	1956-1955	Exc. Fireflite & 8 Pass.:	
	Bearing (Rear)	HM803146/HM803110		Seal	18880
1971-1966	7.25" Ring Gear:			(Speedi-Sleeve)	99187
	Seal	16945		Bearing (Front)	HM89443/HM89410
	(Speedi-Sleeve)	99168		Bearing (Rear)	HM89446/HM89410
	Bearing (Front)	M86649/M86610	1956-1955	Fireflite & 8 Pass.:	
	Bearing (Rear)	HM88649/HM88610		Seal	22610
1969-1963	8.75" Ring Gear w/1.375" Pinion Sh.:			(Speedi-Sleeve)	99225
	Seal	18708		Bearing (Front)	HM801346/HM801310
	(Speedi-Sleeve)	99187		Bearing (Rear)	HM803149/HM803110
	Bearing (Front)	BR52	<b>Differential</b>		
	(Set Components)	M88048/M88010	1989-1977	7.25" Ring Gear:	
	Bearing (Rear)	HM89446/HM89410		Bearing	[2] BR35
1969-1963	8.75" Ring Gear w/1.75" Pinion Sh.:			(Set Components)	LM501349/LM501310
	Seal	18912	1989-1975	8.25" Ring Gear:	
	(Speedi-Sleeve)	99187		Bearing	[2] BR36
	Bearing (Front)	HM89443/HM89410		(Set Components)	LM603049/LM603012
	Bearing (Rear)	HM803149/HM803110	1981-1973	9.25" Ring Gear:	
1968-1967	9.25" Ring Gear:			Bearing	[2] JLM704649/JLM704610
	Seal	18888	1974-1970	8.25" Ring Gear:	
	(Speedi-Sleeve)	99187		Bearing	[2] BR50
	Bearing (Front)	HM88542/HM88510		(Set Components)	LM102949/LM102910
	Bearing (Rear)	BR3877/BR3820	1974-1969	8.75" Ring Gear:	
				Bearing	[2] LM104949/LM104912
			1972-1966	9.75" Ring Gear:	
				Bearing	[2] 387-A/382-S
					(Continued)

# Passenger cars, light & medium trucks

(Cont.) -- Dodge (RWD) Adventurer, Charger (thru 1978), Coronet, De Soto, Diplomat, Firedome, Fireflite, Firesweep, Magnum XE, Mirada, Monaco (thru 1978), Polara, St. Regis, Super Bee

MFG./YEAR	MODEL & LOCATION	PART NO.	MFG./YEAR	MODEL & LOCATION	PART NO.
<b>Differential (Cont.)</b>			<b>Clutch (Cont.)</b>		
1971-1966	7.25" Ring Gear:		<b>Release (Cont.)</b>		
	Bearing .....	[2] BR35	1971-1970	6 Cyl. Eng. w/H.D. Trans.:	
	(Set Components) .....	LM501349/LM501310		Bearing Only .....	N1054
1969-1968	8.25" Ring Gear:		1969-1960	All:	
	Bearing .....	[2] BR35		Bearing Only .....	N1054
	(Set Components) .....	LM501349/LM501310		Bearing Assembly .....	N1463
1968-1967	9.25" Ring Gear:			(Self-Aligning) .....	N1463-SA
	Bearing .....	[2] BR25590/BR25527	<b>Transmission-Automatic</b>		
1968-1960	8.75" Ring Gear:		<b>Front Pump</b>		
	Bearing .....	[2] BR25590/BR25520	1989-1988	A999 Trans.:	
1962-1960	8.25" Ring Gear:			Seal .....	15022
	Bearing .....	[2] BR25580/BR25520		(Speedi-Sleeve) .....	99149
1959-1958	6 Cyl. Eng. Exc. Desoto:		1989-1968	A727 Trans.:	
	Bearing .....	[2] BR25580/BR25520		Seal .....	18508
1959-1958	8 Cyl. Eng.:		1987-1968	A904 & A941 Trans.:	
	Bearing .....	[2] BR25590/BR25520		Seal .....	15022
1957-1946	All:			(Speedi-Sleeve) .....	99149
	Bearing .....	[2] BR25580/BR25520	1967-1962	All:	
<b>Kit</b>				Seal .....	18508
1989-1977	7.25 " Ring Gear:		1961-1960	All:	
	Standard Seal and Bearing Kit Rear .....	SDK302		Seal .....	21103
1989-1969	8.25 " & 8.375 " Ring Gear:			(Speedi-Sleeve) .....	99212
	Standard Seal and Bearing Kit Rear .....	SDK303	1959-1953	8 Cyl. Eng. w/Power-Flite & Torque-Flite Exc.	
	Master Seal and Bearing Kit Rear .....	SDK303-MK		Worn Hub:	
1981-1973	9.25 " Ring Gear:			Seal .....	21103
	Standard Seal and Bearing Kit Rear .....	SDK304		(Speedi-Sleeve) .....	99212
	Master Seal and Bearing Kit Rear .....	SDK304-MK	1959-1951	6 Cyl. Eng. w/Power-Flite & Torque-Flite	
1974-1969	8.75 " w/1.875 " Pin. Shaft O.D. Ring Gear:			Trans.:	
	Standard Seal and Bearing Kit Rear .....	SDK301		Seal .....	15022
1971-1968	Dana 60 Axle:			(Speedi-Sleeve) .....	99149
	Standard Seal and Bearing Kit Rear .....	SDK331	<b>Rear</b>		
1971-1966	7.25 " Ring Gear:		1989-1988	A999 Trans.:	
	Standard Seal and Bearing Kit Rear .....	SDK302		Seal .....	15546
1968-1967	9.25 " Ring Gear:			(Speedi-Sleeve) .....	99156
	Standard Seal and Bearing Kit Rear .....	SDK304	1989-1963	A727 Trans.:	
	Master Seal and Bearing Kit Rear .....	SDK304-MK		Seal .....	16725
1968-1963	8.75 " w/1.75 " Pin. Shaft O.D. Ring Gear:			(Speedi-Sleeve) .....	99168
	Standard Seal and Bearing Kit Rear .....	SDK300		(Speedi-Sleeve/Seal Kit) .....	480168
1966	Dana 60 Axle:		1987-1973	A904 & A941 Trans.:	
	Standard Seal and Bearing Kit Rear .....	SDK331		Seal .....	15546
<b>Clutch</b>				(Speedi-Sleeve) .....	99156
<b>Pilot</b>				Bearing .....	6207-VSP55
1980-1960	All:		1972-1967	A904 & A941 Trans. w/Trans. No. 3681061,	
	Bearing .....	B286		063:	
<b>Release</b>				Seal .....	15546
1980-1973	All:			(Speedi-Sleeve) .....	99156
	Bearing Only .....	N1054	1972-1966	A904 & A941 Trans. Exc. Trans. No. 3681061,	
	Bearing Assembly .....	N1463		063:	
	(Self-Aligning) .....	N1463-SA		Seal .....	15535
1972-1970	8 Cyl. Eng. Exc. 426 & 440 Eng.:			(Speedi-Sleeve) .....	99156
	Bearing Only .....	N1054	1965-1963	A904 Trans.:	
	Bearing Assembly .....	N1463		Seal .....	15535
	(Self-Aligning) .....	N1463-SA		(Speedi-Sleeve) .....	99156
1972-1970	8 Cyl. Eng. w/426 & 440 Eng.:		1962-1961	All:	
	Bearing Only .....	N1181		Seal .....	15620
1971-1970	6 Cyl. Eng. Exc. H.D. Trans.:			(Speedi-Sleeve) .....	99156
	Bearing Only .....	N1054	(Continued)		
	Bearing Assembly .....	N1463			
	(Self-Aligning) .....	N1463-SA			

## Passenger cars, light & medium trucks

### Dodge (RWD) Adventurer, Charger (thru 1978), Coronet, De Soto, Diplomat, Firedome, Fireflite, Firesweep, Magnum XE, Mirada, Monaco (thru 1978), Polara, St. Regis, Super Bee -- (Cont.)

MFG./YEAR	MODEL & LOCATION	PART NO.	MFG./YEAR	MODEL & LOCATION	PART NO.
<b>Transmission-Automatic (Cont.)</b>			<b>Transmission-Manual (Cont.)</b>		
<b>Rear (Cont.)</b>			<b>Rear (Cont.)</b>		
1960	All:		1974	A230 Trans. Exc. Trans. No. 3681834, 36:	
	Seal .....	11518		Seal .....	15546
	(Speedi-Sleeve) .....	99120		(Speedi-Sleeve) .....	99156
1959	Torque-Flite Trans.:			Bearing .....	■ 6307-NJ
	Seal .....	13535	1974	A230 Trans. w/Trans. No. 3681834, 36:	
	(Speedi-Sleeve) .....	99138		Seal .....	16725
1959-1956	Power-Flite Trans.:			(Speedi-Sleeve) .....	99168
	Seal .....	15620		(Speedi-Sleeve/Seal Kit) .....	480168
	(Speedi-Sleeve) .....	99156		Bearing .....	■ 6307-NJ
<b>Transmission-Manual</b>			<b>1974-1973 A250 Trans.:</b>		
<b>Countershaft</b>			Seal .....		
1961-1946	DeSoto w/3 Spd. Trans.:			(Speedi-Sleeve) .....	15546
	Bearing .....	[44] C1086-Q		Bearing .....	■ 6307-NJ
<b>Front</b>			<b>1974-1966 A833 Trans.:</b>		
1980-1975	All:			Seal .....	16725
	Seal .....	10515		(Speedi-Sleeve) .....	99168
	(Speedi-Sleeve) .....	99106		(Speedi-Sleeve/Seal Kit) .....	480168
	Bearing .....	■ 6307-NJ		Bearing .....	■ 6307-NJ
1974-1973	A250 Trans.:		<b>1973 A230 Trans.:</b>		
	Seal .....	10515		Seal .....	15546
	(Speedi-Sleeve) .....	99106		(Speedi-Sleeve) .....	99156
	Bearing .....	■ N6307-NJX		Bearing .....	■ 6307-NJ
1974-1965	6 Cyl. Eng.:		<b>1972-1970 A230 Trans. Exc. Trans. No. 3681834, 36:</b>		
	Seal .....	10515		Seal .....	15535
	(Speedi-Sleeve) .....	99106		(Speedi-Sleeve) .....	99156
	Bearing .....	207-NRJ		Bearing .....	207-NRJ
1969-1965	8 Cyl. Eng.:		<b>1972-1970 A230 Trans. w/Trans. No. 3681834, 36:</b>		
	Seal .....	10515		Seal .....	16725
	(Speedi-Sleeve) .....	99106		(Speedi-Sleeve) .....	99168
	Bearing .....	207-NRJ		(Speedi-Sleeve/Seal Kit) .....	480168
1964-1960	All:			Bearing .....	■ 6307-NJ
	Seal .....	10515	<b>1972-1966 A903 Trans.:</b>		
	(Speedi-Sleeve) .....	99106		Seal .....	15535
	Bearing .....	207-NRJ		(Speedi-Sleeve) .....	99156
1959-1956	3 Spd. Trans.:			Bearing .....	207-NRJ
	Bearing .....	207-NRJ	<b>1969-1966 A745 Trans.:</b>		
<b>Mainshaft Extension</b>				Seal .....	16725
1961-1957	3 Spd. Trans.:			(Speedi-Sleeve) .....	99168
	Bearing .....	6206-NRJ		(Speedi-Sleeve/Seal Kit) .....	480168
1956-1945	3 Spd. Trans.:			Bearing .....	■ 6307-NJ
	Bearing .....	6206-J	<b>1965-1963 A745 &amp; A833 Trans.:</b>		
<b>Mainshaft Pilot</b>				Seal .....	15620
1979-1965	4 Spd. Trans.:			(Speedi-Sleeve) .....	99156
	Bearing .....	[16] QBR23549	<b>1965-1963 A903 Trans.:</b>		
1978-1960	3 Spd. Trans.:			Seal .....	13535
	Bearing .....	[14] QBR23549		(Speedi-Sleeve) .....	99138
1959-1946	3 Spd. Trans. w/6 Cyl. Eng.:		<b>1962-1960 All:</b>		
	Bearing .....	[14] QBR23549		Seal .....	13535
				(Speedi-Sleeve) .....	99138
<b>Rear</b>			<b>1959-1955 Exc. Desoto:</b>		
1980-1976	All:			Bearing .....	207-J
	Seal .....	15546	<b>1959-1955 Desoto:</b>		
	(Speedi-Sleeve) .....	99156		Bearing .....	207-NRJ
	Bearing .....	■ 6307-NJ	<b>1959-1946 3 Spd. Trans.:</b>		
1975	A230 Trans.:			Seal .....	15250
	Seal .....	16725		(Speedi-Sleeve) .....	99149
	(Speedi-Sleeve) .....	99168			(Continued)
	(Speedi-Sleeve/Seal Kit) .....	480168			
	Bearing .....	■ 6307-NJ			

## Passenger cars, light & medium trucks

(Cont.) -- Dodge (RWD) Adventurer, Charger (thru 1978), Coronet, De Soto, Diplomat, Firedome, Fireflite, Firesweep, Magnum XE, Mirada, Monaco (thru 1978), Polara, St. Regis, Super Bee

MFG./YEAR	MODEL & LOCATION	PART NO.	MFG./YEAR	MODEL & LOCATION	PART NO.
<b>Air Conditioning Clutch</b>			<b>Engine (Cont.)</b>		
1986-1958	All:		<b>Timing Cover (Cont.)</b>		
	Bearing .....	5206-A2RS	1959-1953	6 Cyl. Eng.:	
<b>Air Conditioning Compressor</b>				Seal .....	21814
1972-1958	w/o V2 Type:			(Speedi-Sleeve) .....	99218
	Bearing .....	6205-J	1952-1946	6 Cyl. Eng.:	
<b>Alternator</b>				Seal .....	21820
1989-1975	w/o 100 & 114 Amp.:			(Speedi-Sleeve) .....	99218
	Bearing (Front) .....	6203-2RSJ	<b>Generator</b>		
	Bearing (Rear) .....	MNJ471-S	<b>Front</b>		
1989-1975	100 & 114 Amp.:		1959-1956	H.D.:	
	Bearing (Front) .....	6203-2ZJ		Bearing .....	6204-J
1974-1963	All:		1959-1946	w/o H.D.:	
	Bearing (Front) .....	6203-2RSJ		Bearing .....	6203-J
	Bearing (Rear) .....	MNJ471-S	<b>Rear</b>		
1962-1961	All:		1959-1958	w/o H.D.:	
	Bearing (Front) .....	6203-J		Bearing .....	6203-J
	Bearing (Rear) .....	MNJ471-S	1959-1958	H.D. Exc. Desoto:	
1960	All:			Bearing .....	6204-J
	Bearing .....	[2] 6203-J	1959-1958	H.D. Desoto:	
<b>Engine</b>				Bearing .....	6303-J
<b>Crankshaft-Rear</b>			1957-1956	H.D.:	
1989-1981	318 (5.2L) Eng.:			Bearing .....	6203-J
	Seal Kit .....	212	<b>Steering-Power</b>		
1980-1971	360 (5.9L) Eng.:		<b>Pitman Shaft</b>		
	Seal Kit .....	214	1989-1973	All:	
1980-1958	340 & Smaller 8 Cyl. Eng.:			Seal .....	12350
	Seal Kit .....	212	1964-1962	Custom 880:	
1957-1953	8 Cyl. Eng.:			Seal .....	12350
	Seal Kit .....	212	1961-1954	All:	
<b>Timing Cover</b>				Seal .....	12350
1989-1978	318 (5.2L) Eng.:		<b>Pump Shaft</b>		
	Seal .....	21944	1989-1960	Key Slotted Sh.:	
	(Speedi-Sleeve) .....	99218		Seal .....	7475
	(Speedi-Sleeve/Seal Kit) .....	480219	1975-1969	w/o Key Slotted Sh.:	
1983-1974	6 Cyl. Eng. From 4/19/74:			Seal .....	6229
	Seal .....	22425	1968-1967	4.875" Dia. Reservoir:	
	(Speedi-Sleeve) .....	99225		Seal .....	6229
1980-1978	360 (5.9L) Eng.:		1959	All:	
	Seal .....	21944		Seal .....	6767
	(Speedi-Sleeve) .....	99218	1958	Federal Pump:	
	(Speedi-Sleeve/Seal Kit) .....	480219		Seal .....	6767
1978	400 & 440 Eng.:		1958	Thompson Pump:	
	Seal .....	21820		Seal .....	6729
	(Speedi-Sleeve) .....	99218	1957-1951	All:	
1977-1975	8 Cyl. Eng.:			Seal .....	7440
	Seal .....	21944	<b>Worm Shaft</b>		
	(Speedi-Sleeve) .....	99218	1986-1978	All:	
	(Speedi-Sleeve/Seal Kit) .....	480219		Seal .....	6139
1974-1972	8 Cyl. Eng. From 12/4/72:		1977-1962	All:	
	Seal .....	21820		Seal .....	6141
	(Speedi-Sleeve) .....	99218	1954-1951	All:	
1974-1960	6 Cyl. Eng. Thru 4/18/74:			Seal .....	8648
	Seal .....	22415			(Continued)
	(Speedi-Sleeve) .....	99226			
1972-1958	8 Cyl. Eng. Thru 12/3/72:				
	Seal .....	21944			
	(Speedi-Sleeve) .....	99218			
	(Speedi-Sleeve/Seal Kit) .....	480219			

## Passenger cars, light & medium trucks

### Dodge (RWD) Adventurer, Charger (thru 1978), Coronet, De Soto, Diplomat, Firedome, Fireflite, Firesweep, Magnum XE, Mirada, Monaco (thru 1978), Polara, St. Regis, Super Bee -- (Cont.)

MFG./YEAR	MODEL & LOCATION	PART NO.	MFG./YEAR	MODEL & LOCATION	PART NO.
<b>Steering-Standard</b>			<b>Steering-Standard (Cont.)</b>		
<b>Pitman Shaft</b>			<b>Worm Shaft (Cont.)</b>		
1978-1965	Monaco & Polara:		1958	All:	
Seal	.....	12350	Seal	.....	8648
1951-1946	All:				
Seal	.....	12350			
<b>Worm Shaft</b>					
1978-1960	All:				
Seal	.....	7412			

### Dodge (RWD) Viper

<b>Wheel Front</b> 1993-1992 All: Hub Assembly ..... BR930045  <b>Wheel Rear</b> 1993-1992 All: Hub Assembly ..... BR930045  <b>Pinion</b> 1995-1992 All: Seal ..... 18896 (Speedi-Sleeve) ..... 99187  <b>Differential Kit</b> 1995-1993 Dana 44 Axle: Standard Seal and Bearing Kit Rear ..... SDK339-A	<b>Clutch Pilot</b> 1995-1992 All: Bearing ..... B128  <b>Release</b> 1995-1992 All: Bearing Assembly ..... N4061  <b>Transmission-Manual Rear</b> 1995-1992 All: Seal ..... 16725 (Use) ..... +16567
--	--

### Dodge (Canadian Models) Colt 100, Colt 200

<b>Wheel Front</b> 1995-1993 All: Seal (Inner) ..... 21281 Seal (Outer) ..... 20440 Bearing ..... FW170 1992-1989 All: Seal ..... 19612 Bearing ..... [2] BR41  <b>Wheel Rear</b> 1992 Colt 100: Seal ..... 550270 Bearing ..... [2] GRW152 1992-1989 Colt 200 w/Drum Brks.: Seal ..... 550270 Bearing ..... [2] GRW152 1991-1989 Colt 100: Seal ..... 550270 Bearing ..... [2] GRW164 1990-1989 Colt 200 w/Disc Brks.: Seal ..... 550270 Bearing ..... [2] GRW153	<b>Clutch Release</b> 1995-1993 1.8L Eng.: Bearing Assembly ..... N3067 1992-1989 1.5L Eng.: Bearing Assembly ..... N3067  <b>Transaxle-Automatic Differential</b> 1992-1989 3 & 4 Spd. Trans.: Bearing ..... [2] 6207-J  <b>Front Pump</b> 1992-1989 3 & 4 Spd. Trans.: Seal ..... 16669 (Speedi-Sleeve) ..... 99168  <b>Output Shaft</b> 1992-1989 3 & 4 Spd. Trans.: Seal ..... 14006 (Speedi-Sleeve) ..... 99139  <b>Transfer Shaft</b> 1992-1991 3 & 4 Spd. Trans.: Bearing ..... BR30207 1990-1989 3 Spd. Trans.: Bearing (Inner) ..... BR30206 Bearing (Outer) ..... BR30304 (Continued)
---	---



# Passenger cars, light & medium trucks

## (Cont.) -- Dodge (Canadian Models) Colt 100, Colt 200

MFG./YEAR	MODEL & LOCATION	PART NO.	MFG./YEAR	MODEL & LOCATION	PART NO.
<b>Transaxle-Manual</b>			<b>Engine</b>		
<b>Differential</b>			<b>Camshaft</b>		
1995-1993	5 Spd. F5M22-2 Transaxle:		1992-1989	1.5L Eng.:	
	Bearing ..... [2]	BR30207	Seal .....		13943
1995-1993	5 Spd. F5M21-1 & F5M21-2 Transaxles:		(Speedi-Sleeve) .....		99139
	Bearing ..... [2]	6207-J	<b>Crankshaft-Rear</b>		
1992-1989	4 Spd. Trans.:		1995-1993	1.8L Eng.:	
	Bearing ..... [2]	6207-J	Seal .....		31129
			(Speedi-Sleeve) .....		99312
<b>Input Shaft</b>			1992-1989	1.5L Eng.:	
1995-1993	5 Spd. Trans.:		Seal .....		28308
	Seal .....	9706	(Speedi-Sleeve) .....		99284
	(Speedi-Sleeve) .....	99098	<b>Timing Belt and Tensioner Kit</b>		
1992-1989	4 Spd. Trans.:		1995	Colt w/1.5L Eng.:	
	Seal .....	9706	Belt & Tensioner Kit .....		VKMA95012
	(Speedi-Sleeve) .....	99098	1991	Colt w/1.5L Eng.:	
<b>Output Shaft</b>			Belt & Tensioner Kit .....		VKMA92001
1995-1993	5 Spd. Trans.:		1990-1989	Colt w/1.5L Eng.:	
	Seal .....	14006	Belt & Tensioner Kit .....		VKMA95207
	(Speedi-Sleeve) .....	99139	<b>Timing Cover</b>		
	Bearing ..... [2]	BR30206	1995-1993	1.8L Eng.:	
1992-1989	4 Spd. Trans.:		Seal .....		14477
	Seal .....	14006	1992-1989	1.5L Eng.:	
	(Speedi-Sleeve) .....	99139	Seal .....		11671
	Bearing ..... [2]	BR30206	(Speedi-Sleeve) .....		99114
<b>Shift Shaft</b>			<b>Steering-Standard</b>		
1995-1993	5 Spd. Trans.:		<b>Pitman Shaft</b>		
	Seal .....	7003	1995-1993	All:	
	(Speedi-Sleeve) .....	99082	Seal .....		6763
1992-1989	4 Spd. Trans.:		1992-1989	All:	
	Seal .....	7003	Seal .....		6620
	(Speedi-Sleeve) .....	99082	<b>Alternator</b>		
<b>Alternator</b>			1992-1989	65 Amp.:	
1992-1989	65 Amp.:		Bearing (Rear) .....		6302-2RSJ
	Bearing (Rear) .....	6302-2RSJ			

## Dodge Truck D-50 Pickup, Power Ram 50, Raider, Ram 50

### Wheel Front (2 W/D)

1993-1979	All:	
	Seal .....	19605
	Bearing (Inner) .....	BR5
	(Set Components) .....	LM48548/LM48510
	Bearing (Outer) .....	BR3
	(Set Components) .....	M12649/M12610

### Wheel Front (4 W/D)

1993-1988	All:	
	Seal .....	22841
	Bearing ..... [2]	BR50
	(Set Components) .....	LM102949/LM102910
1987-1982	All:	
	Seal .....	22822
	Bearing ..... [2]	BR50
	(Set Components) .....	LM102949/LM102910

### Steering Knuckle

1993-1982	All:	
	Seal .....	22035
	Bearing .....	B2012

### Wheel Rear

1993-1992	All:	
	Seal (Inner) .....	14510
	Seal (Outer) .....	19211
	Bearing .....	BR30208
1991-1979	All:	
	Seal (Inner) .....	14050
	Seal (Outer) .....	19211
	Bearing .....	BR30208

### Pinion

#### Front Axle

1993-1982	w/o V6 Eng.:	
	Seal .....	16527
	(Speedi-Sleeve) .....	99169
	Bearing (Front) .....	M86649/M86610
	Bearing (Rear) .....	HM89449/HM89410
1991	V6 Eng.:	
	Seal .....	17795
	(Speedi-Sleeve) .....	99177
	Bearing (Front) .....	M88043/M88010
	Bearing (Rear) .....	HM89449/HM89410

(Continued)

**Dodge Truck D-50 Pickup, Power Ram 50, Raider, Ram 50 -- (Cont.)**

MFG./YEAR	MODEL & LOCATION	PART NO.	MFG./YEAR	MODEL & LOCATION	PART NO.
-----------	------------------	----------	-----------	------------------	----------

**Pinion (Cont.)**

**Front Axle (Cont.)**

<b>1990-1989 V6 Eng.:</b>	
Seal .....	17667
(Speedi-Sleeve) .....	99177
Bearing (Front) .....	<b>M88043/M88010</b>
Bearing (Rear) .....	<b>HM89449/HM89410</b>

**Rear Axle**

<b>1993-1984 Power Ram 50, Raider &amp; Ram 50 w/o V6 Eng.:</b>	
Seal .....	17667
(Speedi-Sleeve) .....	99177
Bearing (Front) .....	<b>M88043/M88010</b>
Bearing (Rear) .....	<b>HM89449/HM89410</b>
<b>1991-1989 Power Ram 50 &amp; Raider w/V6 Eng.:</b>	
Seal .....	17667
(Speedi-Sleeve) .....	99177
Bearing (Front) .....	<b>M88043/M88010</b>
Bearing (Rear) .....	<b>HM89249/HM89210</b>
<b>1983-1979 All:</b>	
Seal .....	17667
(Speedi-Sleeve) .....	99177
Bearing (Front) .....	<b>M88043/M88010</b>
Bearing (Rear) .....	<b>HM89449/HM89410</b>

**Differential**

**Front Axle**

<b>1993-1989 Exc. Power Ram 50 &amp; Raider w/3.0L Eng.:</b>	
Seal .....	12785
(Speedi-Sleeve) .....	99128
Bearing ..... [2]	<b>KC11445-Y</b>
(Set Components) .....	<i>BR17887/BR17831</i>
<b>1991-1989 Power Ram 50 &amp; Raider w/3.0L Eng.:</b>	
Seal .....	13484
(Speedi-Sleeve) .....	99134
Bearing ..... [2]	<b>KC11445-Y</b>
(Set Components) .....	<i>BR17887/BR17831</i>
<b>1988-1982 Exc. Raider:</b>	
Seal .....	12785
(Speedi-Sleeve) .....	99128
Bearing ..... [2]	<b>KC11445-Y</b>
(Set Components) .....	<i>BR17887/BR17831</i>

**Rear Axle**

<b>1993-1979 All:</b>	
Bearing ..... [2]	<b>KC11445-Y</b>
(Set Components) .....	<i>BR17887/BR17831</i>

**Clutch**

**Pilot**

<b>1992-1979 w/o 3.0L Eng.:</b>	
Bearing .....	6002-2RSJ
<b>1991-1989 3.0L Eng.:</b>	
Bearing .....	6203-2RSJ

**Release**

<b>1993-1979 w/o V6 Eng. Exc. Raider:</b>	
Bearing Assembly .....	N4030
<b>1991-1989 V6 Eng.:</b>	
Bearing Assembly .....	N4088
<b>1989-1987 Raider w/o V6 Eng.:</b>	
Bearing Assembly .....	N4053

**Transfer Case**

**Front Output Shaft**

<b>1993-1987 All:</b>	
Seal (Viton) .....	14017
Seal .....	14016
(Speedi-Sleeve) .....	99146
Bearing .....	[2] 6306-J
<b>1986-1984 Auto. Trans.:</b>	
Seal .....	17762
(Speedi-Sleeve) .....	99177
<b>1986-1984 Man. Trans.:</b>	
Seal (Viton) .....	14017
Seal .....	14016
(Speedi-Sleeve) .....	99146
<b>1983-1982 All:</b>	
Seal (Viton) .....	14017
Seal .....	14016
(Speedi-Sleeve) .....	99146

**Input Shaft**

<b>1993-1984 Auto. Trans.:</b>	
Bearing .....	6211-J
<b>1993-1984 Man. Trans.:</b>	
Seal .....	17758
(Speedi-Sleeve) .....	99177
Bearing .....	6211-J
<b>1983-1982 All:</b>	
Seal .....	17758
(Speedi-Sleeve) .....	99177

**Mounting Adapter**

<b>1988-1984 All:</b>	
Seal .....	19211
(Speedi-Sleeve) .....	99193

**Rear Output Shaft**

<b>1993-1989 All:</b>	
Seal .....	15800
(Speedi-Sleeve) .....	99157
Bearing (Inner) .....	6211-J
Bearing (Outer) .....	6307-NRJ
<b>1988-1987 All:</b>	
Seal (Viton) .....	14017
Seal .....	14016
(Speedi-Sleeve) .....	99146
Bearing (Inner) .....	6211-J
Bearing (Outer) .....	6307-NRJ
<b>1986-1984 Auto. Trans.:</b>	
Seal .....	17762
(Speedi-Sleeve) .....	99177
<b>1986-1984 Man. Trans.:</b>	
Seal (Viton) .....	14017
Seal .....	14016
(Speedi-Sleeve) .....	99146
<b>1983-1982 All:</b>	
Seal (Viton) .....	14017
Seal .....	14016
(Speedi-Sleeve) .....	99146

**Transmission-Automatic**

**Adapter Housing**

<b>1993-1992 4 W/D:</b>	
Seal .....	17762
(Speedi-Sleeve) .....	99177

(Continued)

# Passenger cars, light & medium trucks

## (Cont.) -- Dodge Truck D-50 Pickup, Power Ram 50, Raider, Ram 50

MFG./YEAR	MODEL & LOCATION	PART NO.	MFG./YEAR	MODEL & LOCATION	PART NO.
<b>Transmission-Automatic (Cont.)</b>			<b>Transmission-Manual (Cont.)</b>		
<b>Front Pump</b>			<b>Front</b>		
<b>1993-1992 All:</b>			<b>1993-1991 2.4L Eng.:</b>		
Seal		14939	Seal		11592
(Speedi-Sleeve)		99149	(Speedi-Sleeve)		99114
<b>1991-1990 All:</b>			<b>1991-1989 3.0L Eng.:</b>		
Seal		15022	Seal		12717
(Speedi-Sleeve)		99149	(Speedi-Sleeve)		99128
<b>1989-1987 All:</b>			<b>1990-1987 2.0L &amp; 2.4L Eng.:</b>		
Seal		14772	Seal		11592
(Speedi-Sleeve)		99147	(Speedi-Sleeve)		99114
<b>1986-1979 All:</b>			Bearing (Front) 6307-VSP35		
Seal		15022	Bearing (Rear)		BR3507
(Speedi-Sleeve)		99149	<b>1989-1987 2.6L Eng.:</b>		
<b>Output Shaft</b>			Seal 11592		
<b>1993-1992 All:</b>			(Speedi-Sleeve) 99114		
Bearing (Front)		6014-NRJ	Bearing (Front)		6307-VSP85
Bearing (Rear)		■ 6207-VSP55	Bearing (Rear)		BR3507
<b>Rear</b>			<b>1986-1979 All:</b>		
<b>1993-1990 2 W/D:</b>			Seal 11615		
Seal		16725	(Speedi-Sleeve)		99114
(Speedi-Sleeve)		99168	<b>Mainshaft</b>		
(Speedi-Sleeve/Seal Kit)		480168	<b>1993-1990 2.4L Eng.:</b>		
<b>1993-1990 4 W/D:</b>			Bearing (Front) 6307-VSP35		
Seal		19211	<b>1991-1990 3.0L Eng.:</b>		
(Speedi-Sleeve)		99193	Bearing (Front) 63/322RSNR		
<b>1992-1990 Ram 50:</b>			<b>Rear</b>		
Seal		16725	<b>1993 2.4L Eng.:</b>		
(Speedi-Sleeve)		99168	Seal		14017
(Speedi-Sleeve/Seal Kit)		480168	(Speedi-Sleeve)		99146
Bearing		■ 6207-VSP55	<b>1992-1987 2.0L &amp; 2.4L Eng.:</b>		
<b>1989-1987 4 W/D:</b>			Seal 14017		
Seal		17758	(Speedi-Sleeve)		99146
(Speedi-Sleeve)		99177	Bearing		GRW122
<b>1988-1987 2 W/D:</b>			<b>1989-1987 2.6L Eng.:</b>		
Seal		15463	Seal 14017		
<b>1986-1979 All:</b>			(Speedi-Sleeve) 99146		
Seal		15546	Sealed Bearing GRW163		
(Speedi-Sleeve)		99156	<b>1986-1979 All:</b>		
Bearing		6206-VSP97	Seal 14017		
<b>Shift Shaft</b>			(Speedi-Sleeve) 99146		
<b>1993-1990 A500 4 Spd. Trans.:</b>			<b>Shift Shaft</b>		
Seal		8017	<b>1992-1979 All:</b>		
<b>1989-1979 A904 Trans.:</b>			Seal 7003		
Seal		8017	(Speedi-Sleeve) 99082		
<b>Transmission-Manual</b>			<b>Alternator</b>		
<b>Countershaft</b>			<b>1989-1987 w/o 3.0L Eng.:</b>		
<b>1993-1990 2.4L Eng.:</b>			Bearing (Front) 6302-2RSJ		
Bearing (Front)		30205-X	<b>1986 w/o Diesel Eng.:</b>		
Bearing (Rear)		30205-X	Bearing (Front) 6302-2RSJ		
<b>1991-1989 3.0L Eng.:</b>			Bearing (Rear) 6201-2ZJ		
Bearing (Front)		63/28-NRJ	<b>1985-1983 Diesel Eng.:</b>		
Bearing (Rear)		63/28-2RSN	Bearing (Front) 6302-2ZJ		
<b>1989-1987 2.0L Eng.:</b>			<b>1985-1983 w/o Diesel Eng.:</b>		
Bearing (Center)		5205-ANR	Bearing (Front) 6202-2RSJ		
<b>1989-1987 2.6L Eng.:</b>			Bearing (Rear) 6201-2ZJ		
Bearing (Front)		30205-X	<b>1982 w/o Diesel Eng.:</b>		
Bearing (Center)		30205-X	Bearing (Front) 6302-2ZJ		
			Bearing (Rear) 6201-2ZJ		
			<b>1982-1979 All:</b>		
			Bearing (Front) 6302-2ZJ		
			Bearing (Rear) 6201-2ZJ		

(Continued)

Dodge Truck D-50 Pickup, Power Ram 50, Raider, Ram 50 -- (Cont.)

MFG./YEAR	MODEL & LOCATION	PART NO.	MFG./YEAR	MODEL & LOCATION	PART NO.
<b>Drive Shaft</b>			<b>Engine (Cont.)</b>		
<b>Rear</b>			<b>Timing Cover</b>		
1989-1987	Power Ram 50:		1993-1991	2.4L Eng.:	
	Bearing & Support .....	HB1680-20	Seal .....		17629
1988-1987	Ram 50:		(Speedi-Sleeve) .....		99177
	Bearing & Support .....	HB1680-10	1991-1989	3.0L Eng.:	
1986-1985	Ram 50 & Power Ram 50:		Seal .....		14671
	Bearing & Support .....	HB1680-10	1990	2.4L Eng.:	
<b>Engine</b>			Seal .....		7861
<b>Balance Shaft</b>			(Speedi-Sleeve) .....		99078
1993-1991	2.4L Eng.:		1989-1987	2.0L Eng.:	
Seal .....		9708	Seal .....		17629
(Speedi-Sleeve) .....		99098	(Speedi-Sleeve) .....		99177
1990	2.4L Eng.:		1989-1982	2.6L Eng.:	
Seal .....		9706	Seal .....		18854
(Speedi-Sleeve) .....		99098	(Speedi-Sleeve) .....		99189
1989-1987	2.0L Eng.:		1986-1983	2.0L Eng.:	
Seal .....		9706	Seal .....		17629
(Speedi-Sleeve) .....		99098	(Speedi-Sleeve) .....		99177
<b>Camshaft</b>			1985-1983	2.3L Diesel Eng.:	
1993-1989	2.4L & 3.0L Eng.:		Seal .....		17629
Seal .....		13943	(Speedi-Sleeve) .....		99177
(Speedi-Sleeve) .....		99139	1982-1979	All:	
1989-1983	2.0L & 2.3L Diesel Eng.:		Seal .....		18854
Seal .....		13943	(Speedi-Sleeve) .....		99189
(Speedi-Sleeve) .....		99139	<b>Steering-Power</b>		
<b>Crankshaft-Rear</b>			<b>Pitman Shaft</b>		
1993-1990	2.4L Eng.:		1989-1986	Power Ram 50 & Raider:	
Seal .....		31506	Seal .....		12700
(Speedi-Sleeve) .....		99315	1989-1986	Ram 50:	
1991-1989	3.0L Eng.:		Seal .....		525327
Seal .....		36204	1985-1982	All:	
1989-1983	2.0L & 2.6L Eng.:		Seal .....		525327
Seal .....		31506	1981-1979	D50:	
(Speedi-Sleeve) .....		99317	Seal .....		10930
1985-1983	2.3L Diesel Eng.:		<b>Pump Shaft</b>		
Seal .....		31506	1989-1987	Raider:	
(Speedi-Sleeve) .....		99317	Seal .....		7005
1982-1979	All:		1989-1987	Ram 50 w/2.0L Eng.:	
Seal .....		31506	Seal .....		7005
(Speedi-Sleeve) .....		99317	1989-1987	Power Ram 50 & Ram 50 w/2.6L Eng.:	
<b>Timing Belt Tensioner</b>			Seal .....		7920
1993	Ram 50 w/2.4L Eng.:		1986-1983	Ram 50:	
Bearing & Housing Assy. ....		VKM75044	Seal .....		7005
1989	Raider w/3.0L Eng.:		1986-1983	Power Ram 50:	
Bearing & Housing Assy. ....		VKM75004	Seal .....		7475
1988-1987	Mini Ram Van w/3.0L Eng.:		1981-1979	D50 From 11/79:	
Bearing & Housing Assy. ....		VKM75004	Seal .....		7005
<b>Timing Belt and Tensioner Kit</b>			1979	D50 Thru 10/79:	
1992-1990	Ram 50 w/2.4L Eng.:		Seal .....		7475
Belt & Tensioner Kit .....		VKMA95017	<b>Worm Shaft</b>		
1991-1990	Ram 50 w/3.0L Eng.:		1989	All:	
Belt & Tensioner Kit .....		VKMA95003	Seal .....		7400
1989	Raider w/3.0L Eng.:		1988-1982	All:	
Belt & Tensioner Kit .....		VKMA95003	Seal .....		7400
1989-1987	Ram 50 w/2.0L Eng.:		1981-1979	D50:	
Belt & Tensioner Kit .....		VKMA95036	Seal .....		7005

(Continued)

**Passenger cars, light & medium trucks**

**(Cont.) -- Dodge Truck D-50 Pickup, Power Ram 50, Raider, Ram 50**

MFG./YEAR	MODEL & LOCATION	PART NO.	MFG./YEAR	MODEL & LOCATION	PART NO.
<b>Steering-Standard</b>					
<b>Pitman Shaft</b>					
1990-1979	Exc. Raider:				
	Seal .....	10930			
<b>Worm Shaft</b>					
1989-1983	Power Ram 50:				
	Seal .....	7220			

**Dodge Truck Full Size Vans, 1/2 ton van, A100, B100, B150, B1500, 3/4 ton van, B200, B250, B2500, 1 ton van, B300, B350, B3500, Ram Van, Ram Wagon**

**Wheel Front**

1995-1984 5 & 8 Stud Hub w/o 4000 lb. Axle:

Seal .....20425

Bearing (Inner) ..... BR11

(Set Components) ..... JL69349/JL69310

Bearing (Outer) ..... BR16

(Set Components) ..... LM12749/LM12711

1995-1984 8 Stud Hub w/4000 lb. Axle:

Seal .....22835

Bearing (Inner) ..... BR35

(Set Components) ..... LM501349/LM501310

Bearing (Outer) ..... BR15101/BR15245

1983-1978 3300 lb. & 3600 lb. Axles & 8 Stud Hub Exc. B300 & B350:

Seal .....20425

Bearing (Inner) ..... BR11

(Set Components) ..... JL69349/JL69310

Bearing (Outer) ..... BR16

(Set Components) ..... LM12749/LM12711

1983-1978 B300 & B350 w/3600 lb. Axle & 8 Stud Hub:

Seal .....20425

Bearing (Inner) ..... BR11

(Set Components) ..... JL69349/JL69310

Bearing (Outer) ..... BR16

(Set Components) ..... LM12749/LM12711

1983-1978 3800 lb. & 4000 lb. Axles w/8 Stud Hub:

Seal .....22835

Bearing (Inner) ..... BR35

(Set Components) ..... LM501349/LM501310

Bearing (Outer) ..... BR15101/BR15245

1983-1974 3000 lb. & 3300 lb. Axles w/5 Stud Hub:

Seal .....19500

Bearing (Inner) ..... BR17

(Set Components) ..... L68149/L68111

Bearing (Outer) ..... BR16

(Set Components) ..... LM12749/LM12711

1977-1973 B100, B150, B200 & B250 w/3800 lb. & 4000 lb. Axles & 8 Stud Hub:

Seal .....22835

Bearing (Inner) ..... BR35

(Set Components) ..... LM501349/LM501310

Bearing (Outer) ..... BR15101/BR15245

1977-1973 B300 & B350 w/3800 lb. & 4000 lb. Axles & 8 Stud Hub:

Seal .....22835

Bearing (Inner) ..... BR37

(Set Components) ..... LM603049/LM603011

Bearing (Outer) ..... BR15101/BR15245

**Wheel Front (Cont.)**

1973 12" X 2.5" Drum Brks.:

Seal .....18415

Bearing (Inner) ..... BR5

(Set Components) ..... LM48548/LM48510

Bearing (Outer) ..... BR2

(Set Components) ..... LM11949/LM11910

1973 12" X 3" Brks.:

Seal .....22835

Bearing (Inner) ..... BR35

(Set Components) ..... LM501349/LM501310

Bearing (Outer) ..... BR38

(Set Components) ..... LM104949/LM104911

1972 B100 :

Seal .....19500

Bearing (Inner) ..... BR5

(Set Components) ..... LM48548/LM48510

Bearing (Outer) ..... BR3

(Set Components) ..... M12649/M12610

1972 B200 & B300:

Seal .....18415

Bearing (Inner) ..... BR5

(Set Components) ..... LM48548/LM48510

Bearing (Outer) ..... BR3

(Set Components) ..... M12649/M12610

1971 B100, B200 & B300:

Seal .....18415

Bearing (Inner) ..... BR5

(Set Components) ..... LM48548/LM48510

Bearing (Outer) ..... BR3

(Set Components) ..... M12649/M12610

1970-1964 A100 Van:

Seal .....17110

Bearing (Inner) ..... BR6

(Set Components) ..... LM67048/LM67010

Bearing (Outer) ..... BR2

(Set Components) ..... LM11949/LM11910

**Wheel Rear**

1995-1994 Exc. H.D.:

Seal .....24917

Bearing ..... [2] BR38

(Set Components) ..... LM104949/LM104911

1995-1994 H.D.:

Seal .....28754

Bearing (Inner) ..... SET407

(Set Components) ..... BR28682/BR28622

Bearing (Outer) ..... BR38

(Set Components) ..... LM104949/LM104911

(Continued)

**Dodge Truck Full Size Vans, 1/2 ton van, A100, B100, B150, B1500, 3/4 ton van, B200, B250, B2500, 1 ton van, B300, B350, B3500, Ram Van, Ram Wagon -- (Cont.)**

MFG./YEAR	MODEL & LOCATION	PART NO.	MFG./YEAR	MODEL & LOCATION	PART NO.
<b>Wheel Rear (Cont.)</b>			<b>Wheel Rear (Cont.)</b>		
1993-1986	Spicer 60 & 70 Axles w/12" X 3" Brks. w/o 9000 lb. G.V.W.:		1973-1969	Spicer 60 Axle w/12" X 2.5" Brks. Exc. B300:	
	Seal .....	30033		Seal .....	26238
	Bearing (Inner) .....	BR45291/BR45220		Bearing (Inner) .....	370-A/362-A
	Bearing (Outer) .....	BR38		Bearing (Outer) .....	359-S/354-A
	(Set Components) .....	LM104949/LM104911	1971	B300 & B350 w/Spicer 60 Axle & 12" X 2.5" Brks.:	
1993-1978	Spicer 60 & 70 Axles w/12" X 2.5" Brks.:			Seal .....	26238
	Seal .....	24917		Bearing (Inner) .....	370-A/362-A
	Bearing .....	[2] BR38		Bearing (Outer) .....	359-S/354-A
	(Set Components) .....	LM104949/LM104911	1968-1964	A100 w/8.75" Ring Gear w/o Flg. Axle:	
1993-1978	Spicer 60 & 70 Axles w/12" X 3" Brks. & 9000 lb. G.V.W.:			Seal (Inner) .....	14423
	Seal .....	28754		Seal (Outer) .....	14359
	Bearing (Inner) .....	SET407		Bearing .....	BR25880/BR25821
	(Set Components) .....	BR28682/BR28622	1968-1964	A100 w/8.75" Ring Gear & Flg. Axle:	
	Bearing (Outer) .....	BR38		Seal (Inner) .....	15460
	(Set Components) .....	LM104949/LM104911		Seal (Outer) .....	19000
1985-1984	B100 & B150 w/Spicer 60 Axle & 12" X 3" Brks.:			Bearing .....	BR7
	Seal .....	24917		(Set Components) .....	M201047-S/M201011
	Bearing .....	[2] BR38	<b>Axle Shaft</b>		
	(Set Components) .....	LM104949/LM104911	1995-1985	8.25" & 8.375" Ring Gears:	
1984-1978	8.375" Ring Gear:			Seal .....	◇16044
	Seal .....	◇16044		(Superseded by).....	16404
	(Superseded by).....	16404		Bearing .....	R1559-TV
	Bearing .....	R1559-TV		(Axle Repair Brg. Assy.) .....	• R1559
	(Axle Repair Brg. Assy.) .....	• R1559	1995-1984	9.25" Ring Gear w/H.D. Axle:	
1977-1974	Spicer 60 Axle w/12" X 2.5" Brks. Exc. B300 & B350:			Seal .....	17100
	Seal .....	24917		Bearing .....	R1561-TV
	Bearing .....	[2] BR38		(Axle Repair Brg. Assy.) .....	• R1561-F
	(Set Components) .....	LM104949/LM104911	1995-1974	9.25" Ring Gear w/o H.D. Axle:	
1977-1974	Spicer 70 Axle w/12" X 3" Brks.:			Seal .....	◇16044
	Seal .....	30033		(Superseded by).....	16404
	Bearing (Inner) .....	SET416		Bearing .....	R1559-TV
	(Set Components) .....	BR45291/BR45220		(Axle Repair Brg. Assy.) .....	• R1559
	Bearing (Outer) .....	BR38	<b>Pinion</b>		
	(Set Components) .....	LM104949/LM104911	<b>Rear Axle</b>		
1977-1972	B300 & B350 w/Spicer 60 Axle & Single Rr. Whls.:		1995-1994	Spicer 60 Axle:	
	Seal .....	26238		Seal .....	18896
	Bearing (Inner) .....	370-A/362-A		(Speedi-Sleeve) .....	99187
	Bearing (Outer) .....	359-S/354-A		Bearing (Front) .....	HM88542/HM88510
1977-1972	B300 & B350 w/Spicer 60 Axle & Dual Rr. Whls.:			Bearing (Rear) .....	HM803146/HM803110
	Seal .....	30033	1995-1986	B150, B250, B1500 & B2500 w/8.25" & 8.375" Ring Gears:	
	Bearing (Inner) .....	SET416		Seal .....	16805
	(Set Components) .....	BR45291/BR45220		(Speedi-Sleeve) .....	99168
	Bearing (Outer) .....	BR38		Bearing (Front) .....	M86649/M86610
	(Set Components) .....	LM104949/LM104911		Bearing (Rear) .....	M802048/M802011
1977-1969	8.75" Ring Gear:		1995-1986	9.25" Ring Gear:	
	Seal (Inner) .....	15460		Seal .....	18708
	Seal (Outer) .....	19000		(Speedi-Sleeve) .....	99187
	Bearing .....	BR7		Bearing (Front) .....	BR52
	(Set Components) .....	M201047-S/M201011		(Set Components) .....	M88048/M88010
				Bearing (Rear) .....	M804049/M804010
					(Continued)

## Passenger cars, light & medium trucks

(Cont.) -- Dodge Truck Full Size Vans, 1/2 ton van, A100, B100, B150, B1500, 3/4 ton van, B200, B250, B2500, 1 ton van, B300, B350, B3500, Ram Van, Ram Wagon

MFG./YEAR	MODEL & LOCATION	PART NO.	MFG./YEAR	MODEL & LOCATION	PART NO.
<b>Pinion (Cont.)</b>			<b>Pinion (Cont.)</b>		
<b>Rear Axle (Cont.)</b>			<b>Rear Axle (Cont.)</b>		
1993-1988	Spicer 60, 70 & 71 Axles:		1971-1969	8.75" Ring Gear w/1.875" Rr. Brg. I.D. Exc. B300 & B350:	
	Seal .....	18896		Seal .....	18708
	(Speedi-Sleeve) .....	99187		(Speedi-Sleeve) .....	99187
	Bearing (Front) .....	HM88542/HM88510		Bearing (Front) .....	BR52
	Bearing (Rear) .....	HM803146/HM803110		(Set Components) .....	M88048/M88010
1987-1984	Spicer 60 Axle:			Bearing (Rear) .....	M804049/M804010
	Seal .....	18891	1971-1969	Spicer 60 & 70 Axles w/5380 & 7260 Series	
	(Speedi-Sleeve) .....	99187		<b>Joints:</b>	
	Bearing (Front) .....	HM88542/HM88510		Seal .....	18891
	Bearing (Rear) .....	HM803146/HM803110		(Speedi-Sleeve) .....	99187
1985-1984	B150 & B250 w/Spicer 70 Axle:			Bearing (Front) .....	HM88542/HM88510
	Seal .....	18891		Bearing (Rear) .....	HM803146/HM803110
	(Speedi-Sleeve) .....	99187	1968-1965	A100 w/8.75" Ring Gear & 1.75" Rr. Brg. I.D.	
	Bearing (Front) .....	HM88542/HM88510		<b>From 3/1/65:</b>	
	Bearing (Rear) .....	HM803146/HM803110		Seal .....	18912
1985-1974	9.25" Ring Gear:			(Speedi-Sleeve) .....	99187
	Seal .....	18708		Bearing (Front) .....	HM89443/HM89410
	(Speedi-Sleeve) .....	99187		Bearing (Rear) .....	HM803149/HM803110
	Bearing (Front) .....	BR52	1968-1964	A100 w/8.750" Ring Gear & 1.375" Rr. Brg. I.D.:	
	(Set Components) .....	M88048/M88010		Seal .....	18708
	Bearing (Rear) .....	M804049/M804010		(Speedi-Sleeve) .....	99187
1985-1972	B350 w/Spicer 70 Axle, 5380 & 7260 Yoke:			Bearing (Front) .....	BR52
	Seal .....	18891		(Set Components) .....	M88048/M88010
	(Speedi-Sleeve) .....	99187		Bearing (Rear) .....	HM89446/HM89410
	Bearing (Front) .....	HM88542/HM88510	1965-1964	A100 w/8.75" Ring Gear & 1.75" Rr. Brg. I.D.	
	Bearing (Rear) .....	HM807040/HM807010		<b>Thru 2/28/65:</b>	
1985-1969	8.375" Ring Gear:			Seal .....	18708
	Seal .....	16805		(Speedi-Sleeve) .....	99187
	(Speedi-Sleeve) .....	99168		Bearing (Front) .....	HM89443/HM89410
	Bearing (Front) .....	M86649/M86610		Bearing (Rear) .....	HM803149/HM803110
	Bearing (Rear) .....	M802048/M802011	<b>Differential</b>		
1983-1972	B250 & B350 w/Spicer 60 Axle:		<b>Rear Axle</b>		
	Seal .....	18891	1995-1978	8.25" & 8.375" Ring Gears:	
	(Speedi-Sleeve) .....	99187		Bearing .....	[2] BR36
	Bearing (Front) .....	HM88542/HM88510		(Set Components) .....	LM603049/LM603012
	Bearing (Rear) .....	HM803146/HM803110	1995-1974	9.25" Ring Gear:	
1983-1972	Spicer 70 Axle w/7290 Yoke:			Bearing .....	[2] JLM704649/JLM704610
	Seal .....	18888	1995-1964	Spicer 60, 70, 71 & M60 Axles Exc. Sprinter:	
	(Speedi-Sleeve) .....	99187		Bearing .....	[2] 387-A/382-S
	Bearing (Front) .....	HM88542/HM88510	1977-1972	8.75" Ring Gear:	
	Bearing (Rear) .....	HM807040/HM807010		Bearing .....	[2] LM104949/LM104912
1977-1972	8.75" Ring Gear:		1977-1969	B100 w/8.75" Ring Gear:	
	Seal .....	18708		Bearing .....	[2] LM104949/LM104912
	(Speedi-Sleeve) .....	99187	1977-1964	8.375" Ring Gear:	
	Bearing (Front) .....	BR52		Bearing .....	[2] BR50
	(Set Components) .....	M88048/M88010		(Set Components) .....	LM102949/LM102910
	Bearing (Rear) .....	M804049/M804010	1971	B200 w/8.75" Ring Gear:	
1971	B350 w/8.75" Ring Gear:			Bearing .....	[2] 387-A/382-S
	Seal .....	18888	<b>Clutch</b>		
	(Speedi-Sleeve) .....	99187	<b>Pilot</b>		
	Bearing (Front) .....	HM88542/HM88510	1995-1994	3.9L, 5.2L & 5.9L Engs.:	
	Bearing (Rear) .....	HM807040/HM807010		Bearing .....	B128
1971-1969	8.75" Ring Gear w/1.375" Rr. Brg. I.D. Exc. B300 & B350:		1990-1964	All:	
	Seal .....	18708		Bearing .....	B286
	(Speedi-Sleeve) .....	99187			(Continued)
	Bearing (Front) .....	BR52			
	(Set Components) .....	M88048/M88010			
	Bearing (Rear) .....	HM89446/HM89410			

**Dodge Truck Full Size Vans, 1/2 ton van, A100, B100, B150, B1500, 3/4 ton van, B200, B250, B2500, 1 ton van, B300, B350, B3500, Ram Van, Ram Wagon -- (Cont.)**

MFG./YEAR	MODEL & LOCATION	PART NO.	MFG./YEAR	MODEL & LOCATION	PART NO.
<b>Clutch (Cont.)</b>			<b>Transmission-Automatic (Cont.)</b>		
<b>Release</b>			<b>Rear (Cont.)</b>		
1993-1992	3.9L Eng.:		1989-1969	A727 Trans.:	
	Bearing Assembly .....	N4093		Seal (1.563" Shaft) .....	15729
1991-1988	3.9L Eng.:			Seal (1.688" Shaft) .....	16725
	Bearing Assembly .....	N4054		(Speedi-Sleeve) (1.688" Shaft) .....	99168
1987-1969	All:			(Speedi-Sleeve/Seal Kit) .....	480168
	Bearing Only .....	N1054	1987-1978	A904, A998 & A999 Trans.:	
	Bearing Assembly .....	N1463		Seal .....	15546
	(Self-Aligning) .....	N1463-SA		(Speedi-Sleeve) .....	99156
1968-1964	A100 w/6 Cyl. Eng.:		1968-1964	A727 Trans.:	
	Bearing Only .....	N1054		Seal .....	16725
1968-1964	Exc. A100 w/6 Cyl. Eng.:			(Speedi-Sleeve) .....	99168
	Bearing Only .....	N1087		(Speedi-Sleeve/Seal Kit) .....	480168
	Bearing Assembly .....	N1459		Bearing .....	■ 6207-VSP55
<b>Transmission-Automatic</b>			<b>Rear Output Shaft</b>		
<b>Front Output Shaft</b>			1995-1994 42RH, 46RE, 46RH & 47RE Trans.:		
1995-1994	42RH, 46RE, 46RH & 47RE Trans.:			Bearing .....	■ 6207-VSP55
	Bearing .....	6014-NRJ	<b>Shift Shaft</b>		
<b>Front Pump</b>			1981-1978 All:		
1995-1994	32RH, 42RH, 46RE & 47RE Trans.:			Seal .....	8017
	Seal .....	14939	1977-1972	A727 Trans.:	
	(Speedi-Sleeve) .....	99149		Seal .....	8017
1995-1994	36RH & 46RH Trans.:		<b>Transmission-Manual</b>		
	Seal .....	18508	<b>Countershaft</b>		
1993-1991	A500, A998 & A999 Trans.:		1983-1969 4 Spd. New Process 435 Trans.:		
	Seal .....	14939		Bearing (Front) .....	M24161-X1
	(Speedi-Sleeve) .....	99149		Bearing (Rear) .....	B3216
1993-1964	A518 & A727 Trans.:			Bearing (Thrust) .....	NTA2031
	Seal .....	18508	1981-1964	4 Spd. New Process 445 Trans.:	
1990-1978	A500, A904, A998 & A999 Trans.:			Bearing (Front) .....	M24161-X1
	Seal .....	15022		Bearing (Rear) .....	B3216
	(Speedi-Sleeve) .....	99149	1977-1969	3 Spd. A250 Trans.:	
<b>Output Shaft</b>				Bearing .....	[88] C407-Q
1995-1994	32RH Trans.:		1968-1964	3 Spd. Warner T87 Trans.:	
	Seal .....	15133		Bearing .....	J32-2080
	(Speedi-Sleeve) .....	99149	1968-1964	4 Spd. New Process 420 Trans.:	
	Bearing .....	6206-VSP97		Bearing (Front) .....	207-ZNRJ
1995-1994	36RH Trans.:			Bearing (Rear) .....	M28161
	Bearing .....	■ 6207-VSP55	1968-1961	4 Spd. 433D Trans.:	
<b>Rear</b>				Bearing (Front) .....	207-NRJ
1995-1994	36RH, 42RH, 46RE, 46RH & 47RE Trans.:			Bearing (Rear) .....	B2816
	Seal .....	16725	<b>Front</b>		
	(Use) .....	+16567	1992	AX15 5 Spd. Aisin Trans.:	
1995-1994	32RH Trans.:			Seal .....	12747
	Seal .....	15546		(Speedi-Sleeve) .....	99128
	(Speedi-Sleeve) .....	99156	1992-1986	NP2500 & 535 Trans.:	
1993-1990	A518 Trans.:			Seal .....	10515
	Seal .....	16725		(Speedi-Sleeve) .....	99106
	(Speedi-Sleeve) .....	99168	1988	New Process 435 Trans.:	
	(Speedi-Sleeve/Seal Kit) .....	480168		Seal .....	10515
1992-1988	A500 Trans.:			(Speedi-Sleeve) .....	99106
	Seal .....	16725	1987	435 Trans. w/Assy. No. 4295498, 501:	
	(Speedi-Sleeve) .....	99168		Seal .....	13557
	(Speedi-Sleeve/Seal Kit) .....	480168		(Speedi-Sleeve) .....	99138
1992-1988	A998 & A999 Trans.:		1987	435 Trans. w/Assy. No. 4340268, 269:	
	Seal .....	15546		Seal .....	10515
	(Speedi-Sleeve) .....	99156		(Speedi-Sleeve) .....	99106

(Continued)



## Passenger cars, light & medium trucks

(Cont.) -- Dodge Truck Full Size Vans, 1/2 ton van, A100, B100, B150, B1500, 3/4 ton van, B200, B250, B2500, 1 ton van, B300, B350, B3500, Ram Van, Ram Wagon

MFG./YEAR	MODEL & LOCATION	PART NO.	MFG./YEAR	MODEL & LOCATION	PART NO.
<b>Transmission-Manual (Cont.)</b>			<b>Transmission-Manual (Cont.)</b>		
<b>Front (Cont.)</b>			<b>Rear (Cont.)</b>		
1987-1984	4 Spd. A833 Trans.:		1977-1969	A250 Trans.:	
	Seal	10515		Seal (1.563" Shaft)	15620
	(Speedi-Sleeve)	99106		(Speedi-Sleeve) (1.563" Shaft)	99156
1986-1964	4 Spd. New Process 435 & 445 Trans.:			Seal (1.688" Shaft)	16725
	Seal	13557		(Speedi-Sleeve)	99168
	(Speedi-Sleeve)	99138		(Speedi-Sleeve/Seal Kit)	480168
	Bearing	HM88649/HM88610	1973-1964	A745 Trans. From Ser. 1548001:	
1981-1974	3 Spd. A390 Trans.:			Seal	16725
	Seal	11123		(Speedi-Sleeve)	99168
	(Speedi-Sleeve)	99112		(Speedi-Sleeve/Seal Kit)	480168
1981-1969	3 Spd. A230 Trans.:			Bearing	307-J
	Seal	10515	1969-1964	4 Spd. New Process 420 Trans.:	
	(Speedi-Sleeve)	99106		Seal	21210
	Bearing	307-NRJ		(Speedi-Sleeve)	99212
1977-1969	3 Spd. A250 Trans.:		1968-1964	A745 Trans. Thru Ser. 1548000:	
	Seal	10515		Seal	21210
	(Speedi-Sleeve)	99106		(Speedi-Sleeve)	99212
1973-1969	A745 Trans.:			Bearing	307-J
	Seal	10515	<b>Air Conditioning Clutch</b>		
	(Speedi-Sleeve)	99106	1983-1969	All:	
1968-1964	A745 Trans.:			Bearing	5206-A2RS
	Seal	12336	<b>Air Conditioning Compressor</b>		
	(Speedi-Sleeve)	99125	1977-1969	All:	
1968-1964	4 Spd. New Process 420 Trans.:			Bearing	6205-J
	Bearing	209-ZNRJ	<b>Alternator</b>		
<b>Mainshaft Pilot</b>			1988	Chrysler Alt.:	
1983-1978	4 Spd. A833 Trans.:			Bearing (Front)	6203-2RSJ
	Bearing	[16] QBR23549	1988	Nippondenso Alt.:	
1983-1964	4 Spd. Exc. A833 Trans.:			Bearing (Front)	6203-2RSJ
	Bearing	[16] Q15902	1987-1986	78 Amp.:	
1981-1969	3 Spd. A230 & A250 Trans.:			Bearing (Front)	6203-2RSJ
	Bearing	[14] QBR23549		Bearing (Rear)	MNJ471-S
1971-1964	3 Spd. A745 Trans.:		1987-1986	114 Amp.:	
	Bearing	[15] QBR23549		Bearing (Front)	6303-2ZJ
<b>Rear</b>			1987-1982	60 Amp.:	
1992	AX15 Trans.:			Bearing (Front)	6203-2RSJ
	Seal	14732		Bearing (Rear)	MNJ471-S
	(Speedi-Sleeve)	99147	1985-1982	114 Amp.:	
1992-1987	A535 Trans.:			Bearing (Front)	6203-2ZJ
	Seal	15546	1985-1978	41, 53 & 63 Amp.:	
	(Speedi-Sleeve)	99156		Bearing (Front)	6203-2RSJ
1988-1969	4 Spd. New Process 435 & 445 Trans.:			Bearing (Rear)	MNJ471-S
	Seal	15620	1981-1978	65 Amp.:	
	(Speedi-Sleeve)	99156		Bearing (Front)	6203-2RSJ
	Bearing	308-NRJ	1981-1974	100 Amp.:	
1987-1974	4 Spd. A833 Trans.:			Bearing (Front)	6303-2ZJ
	Seal	16725	1977-1974	w/o 100 Amp.:	
	(Speedi-Sleeve)	99168		Bearing (Front)	6203-2RSJ
	(Speedi-Sleeve/Seal Kit)	480168		Bearing (Rear)	MNJ471-S
1981-1974	3 Spd. A390 Trans.:		1973-1964	All:	
	Seal	16725		Bearing (Front)	6203-2RSJ
	(Speedi-Sleeve)	99168		Bearing (Rear)	MNJ471-S
	(Speedi-Sleeve/Seal Kit)	480168	<b>Drive Shaft</b>		
1981-1969	A230 Trans.:		1981-1964	All:	
	Seal (1.563" Shaft)	15620		Bearing Only	BR88107
	(Speedi-Sleeve) (1.563" Shaft)	99156		Bearing & Support	HB88107-B
	Seal (1.688" Shaft)	16725			(Continued)
	(Speedi-Sleeve) (1.688" Shaft)	99168			
	(Speedi-Sleeve/Seal Kit)	480168			
	Bearing	6307-NRJ			

**Dodge Truck Full Size Vans, 1/2 ton van, A100, B100, B150, B1500, 3/4 ton van, B200, B250, B2500, 1 ton van, B300, B350, B3500, Ram Van, Ram Wagon -- (Cont.)**

MFG./YEAR	MODEL & LOCATION	PART NO.	MFG./YEAR	MODEL & LOCATION	PART NO.
<b>Engine</b>			<b>Steering-Power</b>		
<b>Crankshaft-Rear</b>			<b>Pitman Shaft</b>		
1995-1990	360 (5.9L) Eng.:		1986-1971	B200, B250, B300 & B350:	
	Seal Kit .....	285		Seal .....	12350
1993-1988	238 (3.9L) Eng.:		1986-1964	A100, B100 & B150:	
	Seal Kit .....	212		Seal (Inner) .....	12364
1992-1987	318 (5.2L) Eng.:			Seal (Outer) .....	12355
	Seal Kit .....	212		Seal Kit .....	12392
1989-1971	360 (5.9L) Eng.:		<b>Pump Shaft</b>		
	Seal Kit .....	214	1992-1971	B200, B250, B300 & B350:	
1986-1967	318 (5.2L) Eng.:			Seal .....	7475
	Seal Kit .....	212	1992-1964	A100, B100 & B150:	
<b>Timing Belt and Tensioner Kit</b>				Seal .....	7475
1988-1987	Mini Ram Van w/3.0L Eng.:		<b>Worm Shaft</b>		
	Belt & Tensioner Kit .....	VKMA95003	1992-1978	All:	
1987-1985	Mini Ram Van w/2.2L Eng.:			Seal .....	6139
	Belt & Tensioner Kit .....	VKMA41001	1977-1972	B100 & B150:	
<b>Timing Cover</b>				Seal .....	6141
1995-1992	6 & 8 Cyl. Eng.:		1977-1971	B200, B250, B300 & B350:	
	Seal .....	21944		Seal .....	6141
	(Speedi-Sleeve) .....	99218	1971-1964	A100, B100 & B150:	
	(Speedi-Sleeve/Seal Kit) .....	480219		Seal .....	7481
1991-1988	238 (3.9L) Eng.:		<b>Steering-Standard</b>		
	Seal .....	21944	<b>Pitman Shaft</b>		
	(Speedi-Sleeve) .....	99218	1988-1969	All:	
	(Speedi-Sleeve/Seal Kit) .....	480219		Seal .....	12350
1991-1964	8 Cyl. Eng.:		1968-1964	Exc. F.C.:	
	Seal .....	21944		Seal .....	11055
	(Speedi-Sleeve) .....	99218	<b>Worm Shaft</b>		
	(Speedi-Sleeve/Seal Kit) .....	480219	1988-1964	Saginaw:	
1987-1978	6 Cyl. Eng.:			Seal .....	7481
	Seal .....	22425	1983-1969	Chrysler:	
	(Speedi-Sleeve) .....	99225		Seal .....	7412
1977-1964	6 Cyl. Eng.:		<b>Generator</b>		
	Seal .....	22415	<b>Front</b>		
	(Speedi-Sleeve) .....	99226	1960-1946	All:	
<b>Generator</b>				Bearing .....	6203-J
<b>Front</b>			<b>Rear</b>		
1960-1946	All:		1960-1957	H.D.:	
	Bearing .....	6203-J		Bearing .....	6204-J
<b>Rear</b>			1960-1946	w/o H.D.:	
1960-1957	H.D.:			Bearing .....	6203-J
	Bearing .....	6204-J	<b>Dodge Truck 1/2 ton, AD150, AW150, D100, D150, P100, P150, W100, W150, R150, Dakota, Nitro, Ramcharger, Ram chassis</b>		
1960-1946	w/o H.D.:		<b>Wheel Front (2 W/D)</b>		
	Bearing .....	6203-J	1995-1994	Exc. Dakota:	
<b>Wheel Front (2 W/D)</b>				Seal .....	19784
1995-1994	Exc. Dakota:			Bearing (Inner) .....	BR5
	Seal .....	19784		(Set Components) .....	LM48548/LM48510
	Bearing (Inner) .....	BR5		Bearing (Outer) .....	BR3
	(Set Components) .....	LM48548/LM48510		(Set Components) .....	M12649/M12610
	Bearing (Outer) .....	BR3	<b>Wheel Front (2 W/D) (Cont.)</b>		
	(Set Components) .....	M12649/M12610	1995-1994	Dakota:	
<b>Wheel Front (2 W/D) (Cont.)</b>				Seal .....	20425
1995-1994	Dakota:			Bearing (Inner) .....	BR11
	Seal .....	20425		(Set Components) .....	JL69349/JL69310
	Bearing (Inner) .....	BR11		Bearing (Outer) .....	BR16
	(Set Components) .....	JL69349/JL69310		(Set Components) .....	LM12749/LM12711
	Bearing (Outer) .....	BR16			(Continued)
	(Set Components) .....	LM12749/LM12711			

# Passenger cars, light & medium trucks

(Cont.) -- Dodge Truck 1/2 ton, AD150, AW150, D100, D150, P100, P150, W100, W150, R1500, Dakota, Nitro, Ramcharger, Ram chassis

MFG./YEAR	MODEL & LOCATION	PART NO.	MFG./YEAR	MODEL & LOCATION	PART NO.
<b>Wheel Front (2 W/D) (Cont.)</b>			<b>Wheel Front (4 W/D) (Cont.)</b>		
<b>1993-1984 All:</b>			<b>1984 All:</b>		
	Seal .....	20425		Seal .....	24898
	Bearing (Inner) .....	BR11		Bearing (Inner) .....	LM104949/JLM104910
	(Set Components) .....	JL69349/JL69310		Bearing (Outer) .....	BR35
	Bearing (Outer) .....	BR16		(Set Components) .....	LM501349/LM501310
	(Set Components) .....	LM12749/LM12711	<b>1983-1978 W100 &amp; W150 Spicer 44 Axle w/o Locking Hub:</b>		
<b>1983-1978 3300 lb. Axle:</b>				Seal .....	26153
	Seal .....	19500		(V-Ring) .....	400700
	Bearing (Inner) .....	BR17		Bearing .....	BR25
	(Set Components) .....	L68149/L68111	<b>1983-1978 W100 &amp; W150 Spicer 44 Axle w/Locking Hub:</b>		
	Bearing (Outer) .....	BR16		Seal (Inner) .....	22311
	(Set Components) .....	LM12749/LM12711		Seal (Outer) .....	26153
<b>1983-1978 3600 lb Axle:</b>				Bearing (Inner) .....	LM104949/JLM104910
	Seal .....	20425		Bearing (Outer) .....	BR35
	Bearing (Inner) .....	BR11		(Set Components) .....	LM501349/LM501310
	(Set Components) .....	JL69349/JL69310	<b>1977-1975 W100 &amp; W150 Spicer 44 Axle:</b>		
	Bearing (Outer) .....	BR16		Seal .....	26153
	(Set Components) .....	LM12749/LM12711		(V-Ring) .....	400700
<b>1977-1972 3000 &amp; 3300 lb. Axles:</b>				Bearing .....	BR25
	Seal .....	19500	<b>1974 Disc Brks.:</b>		
	Bearing (Inner) .....	BR17		Seal .....	26153
	(Set Components) .....	L68149/L68111		(V-Ring) .....	400700
	Bearing (Outer) .....	BR16		Bearing (Inner) .....	BR37
	(Set Components) .....	LM12749/LM12711		(Set Components) .....	LM603049/LM603011
<b>1971-1969 Disc Brks.:</b>				Bearing (Outer) .....	BR35
	Seal .....	17836		(Set Components) .....	LM501349/LM501310
	Bearing (Inner) .....	BR5	<b>1974-1969 Drum Brks.:</b>		
	(Set Components) .....	LM48548/LM48510		Seal .....	24904
	Bearing (Outer) .....	BR2		Bearing (Inner) .....	BR37
	(Set Components) .....	LM11949/LM11910		(Set Components) .....	LM603049/LM603011
<b>1971-1963 Drum Brks.:</b>				Bearing (Outer) .....	BR35
	Seal .....	18415		(Set Components) .....	LM501349/LM501310
	Bearing (Inner) .....	BR5	<b>1968-1957 All:</b>		
	(Set Components) .....	LM48548/LM48510		Seal .....	22468
	Bearing (Outer) .....	BR2		Bearing .....	[2] BR18685/BR18620
	(Set Components) .....	LM11949/LM11910	<b>Axle Shaft</b>		
<b>1962-1957 All:</b>			<b>1995-1994 Spicer 44 Axle:</b>		
	Seal .....	18415		Seal (L.H.) .....	13165
	Bearing (Inner) .....	BR5		Seal (R.H.) .....	↔16015
	(Set Components) .....	LM48548/LM48510		(Superseded by:) .....	16415
	Bearing (Outer) .....	BR2	<b>1995-1994 Dakota:</b>		
	(Set Components) .....	LM11949/LM11910		Seal .....	13995
<b>Wheel Front (4 W/D)</b>				Bearing .....	R1563-TAV
<b>1995-1994 R1500 &amp; W150:</b>			<b>1993-1987 Dakota:</b>		
	Hub Assembly .....	BR930256		Seal (L.H.) .....	13995
<b>1995-1991 Dakota:</b>				Seal (R.H.) .....	16578
	Seal .....	21952		Bearing (L.H.) .....	R1563-TAV
	Seal (w/Sleeve) .....	21962		Bearing (R.H.) .....	BR9
	Hub Assembly .....	BR930045	<b>1993-1973 Spicer 44 Axle:</b>		
<b>1993-1985 Exc. Dakota:</b>				Seal .....	13165
	Seal .....	24917	<b>1972-1957 All:</b>		
	Bearing (Inner) .....	LM104949/JLM104910		Seal .....	13165
	Bearing (Outer) .....	BR35	<b>Intermediate Shaft</b>		
	(Set Components) .....	LM501349/LM501310	<b>1994-1988 Spicer 44F-BJ Axle:</b>		
<b>1990-1987 Dakota:</b>				Seal .....	↔16015
	Seal .....	21952		(Superseded by:) .....	16415
	Seal (w/Sleeve) .....	21962	<b>1987-1983 Spicer 44F-BJ Axle:</b>		
	Hub Assembly .....	BR930008		Seal .....	19229
				Bearing .....	B5020
					(Continued)

**Dodge Truck 1/2 ton, AD150, AW150, D100, D150, P100, P150, W100, W150, R1500, Dakota, Nitro, Ramcharger, Ram chassis -- (Cont.)**

MFG./YEAR	MODEL & LOCATION	PART NO.	MFG./YEAR	MODEL & LOCATION	PART NO.
-----------	------------------	----------	-----------	------------------	----------

**Wheel Front (4 W/D) (Cont.)**

**Spindle Hub**

**1992-1985 Spicer 44 Axle:**

Seal (Inner) ..... 22311  
 Seal (Outer) ..... 711818  
 Bearing ..... B2110  
 Seal & Bearing Kit ..... BK1

**1984-1973 All:**

Seal ..... 24898  
 Bearing Assembly ..... B2110

**Steering Knuckle**

**1971-1957 All:**

Bearing ..... BR11590/BR11520

**Wheel Rear**

**1995-1986 7.250", 8.250" & 8.375" Ring Gears:**

Seal ..... ↗16044  
 (Superseded by)..... 16404  
 Bearing ..... R1559-TV  
 (Axle Repair Brg. Assy.) ..... • R1559

**1995-1985 9.25" Ring Gear w/o H.D. Axle:**

Seal ..... ↗16044  
 (Superseded by)..... 16404  
 Bearing ..... R1559-TV  
 (Axle Repair Brg. Assy.) ..... • R1559

**1995-1984 9.25" Ring Gear w/H.D. Axle:**

Seal ..... 17100  
 Bearing ..... R1561-TV  
 (Axle Repair Brg. Assy.) ..... • R1561-F

**1990-1986 Spicer 60 Axle w/12" X 2.5" Brks.:**

Seal ..... 24917  
 Bearing ..... [2] BR38  
 (Set Components) ..... LM104949/LM104911

**1990-1986 Spicer 60 Axle w/12" X 3" Brks. w/o 9000 lb. G.V.W.:**

Seal ..... 30033  
 Bearing (Inner) ..... SET416  
 (Set Components) ..... BR45291/BR45220  
 Bearing (Outer) ..... BR38  
 (Set Components) ..... LM104949/LM104911

**1990-1986 Spicer 60 Axle w/12" X 3" Brks. & 9000 lb. G.V.W.:**

Seal ..... 28754  
 Bearing (Inner) ..... SET407  
 (Set Components) ..... BR28682/BR28622  
 Bearing (Outer) ..... BR38  
 (Set Components) ..... LM104949/LM104911

**1987-1984 9.25" Ring Gear w/2 W/D:**

Seal ..... ↗16044  
 (Superseded by)..... 16404  
 Bearing ..... R1559-TV  
 (Axle Repair Brg. Assy.) ..... • R1559

**1986-1985 8.375" Ring Gear:**

Seal ..... ↗16044  
 (Superseded by)..... 16404  
 Bearing ..... R1559-TV  
 (Axle Repair Brg. Assy.) ..... • R1559

**1985-1984 Spicer 60 Axle w/12" X 3" Brks.:**

Seal ..... 24917  
 Bearing ..... [2] BR38  
 (Set Components) ..... LM104949/LM104911

**Wheel Rear (Cont.)**

**1985-1984 Spicer 70 Axle w/12" X 2.5" Brks.:**

Seal ..... 24917  
 Bearing ..... [2] BR38  
 (Set Components) ..... LM104949/LM104911

**1985-1984 Spicer 70 Axle w/12" X 3" Brks.:**

Seal ..... 30033  
 Bearing (Inner) ..... SET416  
 (Set Components) ..... BR45291/BR45220  
 Bearing (Outer) ..... BR38  
 (Set Components) ..... LM104949/LM104911

**1984-1969 8.375" Ring Gear:**

Seal ..... ↗16044  
 (Superseded by)..... 16404  
 Bearing ..... R1559-TV  
 (Axle Repair Brg. Assy.) ..... • R1559

**1983-1974 9.25" Ring Gear:**

Seal ..... ↗16044  
 (Superseded by)..... 16404  
 Bearing ..... R1559-TV  
 (Axle Repair Brg. Assy.) ..... • R1559

**1977-1969 8.75" Ring Gear:**

Seal (Inner) ..... 15460  
 Seal (Outer) ..... 19000  
 Bearing ..... BR7  
 (Set Components) ..... M201047-S/M201011

**1968-1963 8.75" Ring Gear w/o Fig. Axle:**

Seal (Inner) ..... 14423  
 Seal (Outer) ..... 14359  
 Bearing ..... BR25880/BR25821

**1968-1963 8.75" Ring Gear w/ Fig. Axle:**

Seal (Inner) ..... 15460  
 Seal (Outer) ..... 19000  
 Bearing ..... BR7  
 (Set Components) ..... M201047-S/M201011

**Pinion**

**Front Axle**

**1995-1994 Spicer 44 Axle:**

Seal ..... 15791  
 (Speedi-Sleeve) ..... 99155  
 Bearing (Front) ..... HM88649/HM88610  
 Bearing (Rear) ..... BR02872/BR02820

**1995-1987 7.25" Ring Gear:**

Seal ..... 16805  
 (Speedi-Sleeve) ..... 99168  
 Bearing (Front) ..... M86649/M86610  
 Bearing (Rear) ..... HM88649/HM88610

**1993-1959 Spicer 44 Axle:**

Seal ..... 15788  
 (Speedi-Sleeve) ..... 99155  
 Bearing (Front) ..... BR31594/BR31520  
 Bearing (Rear) ..... BR02872/BR02820

**Rear Axle**

**1995-1994 8.25" Ring Gear:**

Seal ..... 16805  
 (Speedi-Sleeve) ..... 99168  
 Bearing (Front) ..... M86649/M86610  
 Bearing (Rear) ..... M802048/M802011

(Continued)

# Passenger cars, light & medium trucks

(Cont.) -- Dodge Truck 1/2 ton, AD150, AW150, D100, D150, P100, P150, W100, W150, R1500, Dakota, Nitro, Ramcharger, Ram chassis

MFG./YEAR	MODEL & LOCATION	PART NO.	MFG./YEAR	MODEL & LOCATION	PART NO.
<b>Pinion (Cont.)</b>			<b>Differential</b>		
<b>Rear Axle (Cont.)</b>			<b>Kit</b>		
<b>1995-1974 9.25" Ring Gear:</b>			<b>1995-1974 9.25 " Ring Gear:</b>		
Seal		18708	Standard Seal and Bearing Kit Rear		SDK304
(Speedi-Sleeve)		99187	Master Seal and Bearing Kit Rear		SDK304-MK
Bearing (Front)		BR52	<b>1995-1969 8.25 " Ring Gear:</b>		
(Set Components)		M88048/M88010	Standard Seal and Bearing Kit Rear		SDK303
Bearing (Rear)		M804049/M804010	Master Seal and Bearing Kit Rear		SDK303-MK
<b>1993-1986 7.250", 8.250" &amp; 8.375" Ring Gears:</b>			<b>1995-1987 7.25 " Ring Gear:</b>		
Seal		16805	Standard Seal and Bearing Kit Rear		SDK302
(Speedi-Sleeve)		99168	Standard Seal and Bearing Kit Front		SDK302
Bearing (Front)		M86649/M86610	<b>1993-1969 Dana 44 Axle:</b>		
Bearing (Rear)		M802048/M802011	Standard Seal and Bearing Kit Front		SDK339-B
<b>1987-1984 Spicer 60 &amp; 70 Axles:</b>			<b>1974-1968 8.75 " w/1.875 " Pin. Shaft O.D. Ring Gear:</b>		
Seal		18891	Standard Seal and Bearing Kit Rear		SDK301
(Speedi-Sleeve)		99187	<b>1968-1960 8.75 " w/1.75 " Pin. Shaft O.D. Ring Gear:</b>		
Bearing (Front)		HM88542/HM88510	Standard Seal and Bearing Kit Rear		SDK300
Bearing (Rear)		HM803146/HM803110	<b>Front Axle</b>		
<b>1985-1969 8.375" Ring Gear:</b>			<b>1995-1969 Spicer 44 Axle:</b>		
Seal		16805	Bearing	[2]	BR25590/BR25523
(Speedi-Sleeve)		99168	<b>1995-1987 Dakota:</b>		
Bearing (Front)		M86649/M86610	Bearing	[2]	BR35
Bearing (Rear)		M802048/M802011	(Set Components)		LM501349/LM501310
<b>1977-1972 8.75" Ring Gear:</b>			<b>1968-1957 4 W/D:</b>		
Seal		18708	Bearing		BR25577/BR25523
(Speedi-Sleeve)		99187	<b>Rear Axle</b>		
Bearing (Front)		BR52	<b>1995-1978 8.25" &amp; 8.375" Ring Gears:</b>		
(Set Components)		M88048/M88010	Bearing	[2]	BR36
Bearing (Rear)		M804049/M804010	(Set Components)		LM603049/LM603012
<b>1971-1969 8.75" Ring Gear w/1.375" Rr. Brg. I.D.:</b>			<b>1995-1974 9.25" Ring Gear:</b>		
Seal		18708	Bearing	[2]	JLM704649/JLM704610
(Speedi-Sleeve)		99187	<b>1995-1986 7.25" Ring Gear:</b>		
Bearing (Front)		BR52	Bearing	[2]	BR35
(Set Components)		M88048/M88010	(Set Components)		LM501349/LM501310
Bearing (Rear)		HM89446/HM89410	<b>1990-1988 Spicer 60, 70 &amp; 71 Axles:</b>		
<b>1971-1969 8.75" Ring Gear w/1.875" Rr. Brg. I.D.:</b>			Bearing	[2]	387-A/382-S
Seal		18708	<b>1973-1969 8.375" Ring Gear:</b>		
(Speedi-Sleeve)		99187	Bearing	[2]	BR50
Bearing (Front)		BR52	(Set Components)		LM102949/LM102910
(Set Components)		M88048/M88010	<b>1969-1964 D Series w/Flg. Axle:</b>		
Bearing (Rear)		M804049/M804010	Bearing	[2]	BR25590/BR25520
<b>1968-1965 8.75" Ring Gear w/1.75" Rr. Brg. I.D. From 3/1/65:</b>			<b>1968-1962 D Series w/o Flg. Axle:</b>		
Seal		18912	Bearing	[2]	BR37
(Speedi-Sleeve)		99187	(Set Components)		LM603049/LM603011
Bearing (Front)		HM89443/HM89410	<b>1968-1959 4 W/D:</b>		
Bearing (Rear)		HM803149/HM803110	Bearing	[2]	387-A/382-S
<b>1968-1963 8.75" Ring Gear w/1.375" Rr. Brg. I.D.:</b>			<b>1961-1957 2 W/D:</b>		
Seal		18708	Bearing	[2]	BR25590/BR25520
(Speedi-Sleeve)		99187	<b>Clutch</b>		
Bearing (Front)		BR52	<b>Pilot</b>		
(Set Components)		M88048/M88010	<b>1995-1994 2.5L, 3.9L, 5.2L &amp; 5.9L Engs.:</b>		
Bearing (Rear)		HM89446/HM89410	Bearing		B128
<b>1965-1963 8.75" Ring Gear w/1.75" Rr. Brg. I.D. Thru 2/28/65:</b>			<b>1993-1992 All:</b>		
Seal		18708	Bearing		B128
(Speedi-Sleeve)		99187	<b>1991-1990 All:</b>		
Bearing (Front)		HM89443/HM89410	Bearing		B286
Bearing (Rear)		HM803149/HM803110	<b>1989-1987 w/o 3.9L Eng.:</b>		
			Bearing		B286
			<b>1989-1987 3.9L Eng.:</b>		
			Bearing		B287

(Continued)



For explanation of symbols ●◆+■◇▲[] within (text), see page 1A.  
 Para una explicación de los símbolos ●◆+■◇▲[] en el (texto), vea página 1B.  
 Pour une explication des symboles ●◆+■◇▲[] dans (texte), voir page 1C.

## Passenger cars, light & medium trucks

### Dodge Truck 1/2 ton, AD150, AW150, D100, D150, P100, P150, W100, W150, R1500, Dakota, Nitro, Ramcharger, Ram chassis -- (Cont.)

MFG./YEAR	MODEL & LOCATION	PART NO.	MFG./YEAR	MODEL & LOCATION	PART NO.
<b>Clutch (Cont.)</b>			<b>Transfer Case (Cont.)</b>		
<b>Pilot (Cont.)</b>			<b>Front Output Shaft (Cont.)</b>		
1986-1955	All:		1992	New Process 205:	
	Bearing .....	B286		Seal .....	18752
<b>Release</b>				Bearing (Front) .....	6307-NRJ
1995-1992	All:			Bearing (Rear) .....	M28161
	Bearing Assembly .....	N4093	1987-1986	New Process 207:	
1991-1988	All:			Seal .....	15540
	Bearing Assembly .....	N4054		(Speedi-Sleeve) .....	99156
1987	Dakota:		1979-1978	New Process 203:	
	Bearing Assembly .....	N4054		Seal .....	17720
1987-1969	Exc. Dakota:			(Speedi-Sleeve) .....	99174
	Bearing Only .....	N1054		Bearing (Front) .....	6307-NRJ
	Bearing Assembly .....	N1463		Bearing (Rear) .....	M28161
	(Self-Aligning) .....	N1463-SA	1977-1975	New Process 203:	
1968-1959	All:			Seal .....	17716
	Bearing Only .....	N1087		(Speedi-Sleeve) .....	99174
	Bearing Assembly .....	N1459		Bearing (Front) .....	6307-NRJ
1958-1957	3 Spd. Trans.:			Bearing (Rear) .....	M28161
	Bearing Only .....	N1087	1974-1969	New Process 205:	
<b>Transfer Case</b>				Seal .....	21213
<b>Kit</b>				(Speedi-Sleeve) .....	99212
1995-1994	231 w/ 6010N I/S Brg:			Bearing (Rear) .....	M28161
	Transfer Case Kit .....	STCK231-EE	1968-1954	New Process 205:	
1995	241:			Seal .....	21213
	Transfer Case Kit .....	STCK241-BB		(Speedi-Sleeve) .....	99212
1995-1994	231:		<b>Idler Shaft</b>		
	Transfer Case Kit .....	STCK231-DD	1990-1980	New Process 205:	
1993-1988	231 w/ BD50-8 I/S Brg:			Bearing .....	[2] BR2793/BR2720
	Transfer Case Kit .....	STCK231	1976-1948	New Process 205:	
1987	207:			Bearing .....	[2] BR2793/BR2720
	Transfer Case Kit .....	STCK207	<b>Input Shaft</b>		
1974-1969	205 w/ 6307N Input Bearing:		1995-1994	New Process 231 w/o 52098452, 52098543, 52098357, 52098502, 52098497 & 52098498 Trans.:	
	Transfer Case Kit .....	STCK205-G		Seal .....	19255
<b>Adapter Housing</b>				(Speedi-Sleeve) .....	99193
1995-1988	New Process 231 & 241:			Bearing .....	5210-ANRX
	Seal .....	19255	1995-1994	New Process 231 w/Ser. No. 52098357, 52098452, 52098497, 52098498, 52098502 & 52098543 Trans.:	
	(Speedi-Sleeve) .....	99193		Seal .....	19255
1992	New Process 205 :			(Speedi-Sleeve) .....	99193
	Seal .....	13557		Bearing .....	6010-NRJ
	(Speedi-Sleeve) .....	99138	1995-1994	New Process 241:	
1987-1986	New Process 207:			Seal .....	19255
	Seal .....	19211		(Speedi-Sleeve) .....	99193
	(Speedi-Sleeve) .....	99193		Bearing .....	5210-ANRX
<b>Front Output Shaft</b>			1993-1988	New Process 241:	
1995-1988	New Process 231:			Bearing .....	[2] B5020
	Seal .....	15560	1992	New Process 205 w/Auto. Trans.:	
	Bearing (Front) .....	6206-J		Bearing .....	307-NRJ
	Bearing (Rear) .....	J2416	1987-1986	New Process 207:	
1995-1989	New Process 241:			Seal .....	19255
	Seal .....	18771		(Speedi-Sleeve) .....	99193
	(Speedi-Sleeve) .....	99187	1987-1980	New Process 208:	
	Bearing (Front) .....	6207-VSP55		Seal .....	19255
	Bearing (Rear) .....	J2416		(Speedi-Sleeve) .....	99193
1993-1980	New Process 208:			Bearing .....	[2] B5020
	Seal .....	18662		Bearing (Thrust) .....	AXK5070
	(Speedi-Sleeve) .....	99187			(Continued)
	Bearing (Front) .....	B2816			
	Bearing (Rear) .....	J2416			
	Bearing (Thrust) .....	NTA2840			

# Passenger cars, light & medium trucks

(Cont.) -- Dodge Truck 1/2 ton, AD150, AW150, D100, D150, P100, P150, W100, W150, R1500, Dakota, Nitro, Ramcharger, Ram chassis

MFG./YEAR	MODEL & LOCATION	PART NO.	MFG./YEAR	MODEL & LOCATION	PART NO.
<b>Transfer Case (Cont.)</b>			<b>Transfer Case (Cont.)</b>		
<b>Input Shaft (Cont.)</b>			<b>Rear Output Shaft (Cont.)</b>		
1979-1974	New Process 203:		1992	New Process 205:	
	Seal .....	19255		Seal .....	21213
	(Speedi-Sleeve) .....	99193		(Speedi-Sleeve) .....	99212
	Bearing .....	210-NRJ		Bearing .....	6307-NRJ
1974-1954	New Process 205:		1989-1986	New Process 208:	
	Seal .....	21213		Seal .....	18771
	(Speedi-Sleeve) .....	99212		(Speedi-Sleeve) .....	99187
	Bearing .....	307-NRJ		Bearing .....	207-NRJ
<b>Low Gear Rollers</b>			1987-1986	New Process 207:	
1987-1986	New Process 205:			Seal .....	22306
	Bearing .....	[128] QBR23549		(Speedi-Sleeve) .....	99225
1976-1969	New Process 205:		1985-1980	New Process 208:	
	Bearing .....	[128] QBR23549		Seal .....	18662
<b>Mainshaft Pilot</b>				(Speedi-Sleeve) .....	99187
1989-1980	New Process 208:			Bearing .....	207-NRJ
	Bearing .....	B2012	1979-1975	New Process 203:	
	Bearing (Thrust) .....	TC2435		Seal .....	21061
<b>Mainshaft Rear</b>				(Speedi-Sleeve) .....	99212
1995-1994	New Process 231w/o 52098314, 52098357 & 52098502 Trans.:			Bearing (Rear) .....	6307-NRJ
	Seal .....	22306	1974-1969	New Process 205:	
	(Speedi-Sleeve) .....	99225		Seal .....	21213
	Bearing .....	6206-J		(Speedi-Sleeve) .....	99212
1995-1994	New Process 231 w/Ser. No. 52098314, 52098357 & 52098502 Trans.:		1968-1954	New Process 205:	
	Seal .....	22306		Seal .....	21213
	(Speedi-Sleeve) .....	99225		(Speedi-Sleeve) .....	99212
	Bearing .....	6207-J	<b>Shift Shaft</b>		
<b>Oil Pump</b>			1987-1986	New Process 205:	
1995-1980	New Process 208, 231 & 241:			Seal .....	7443
	Seal .....	22306		(Speedi-Sleeve) .....	99076
	(Speedi-Sleeve) .....	99225	1979-1969	New Process 205:	
<b>Rear Extension</b>				Seal .....	7464
1995-1994	New Process 231 w/Ser. No. 52098023, 52098024, 52098497, 52098498, 52098542 & 52098543 Trans.:			(Speedi-Sleeve) .....	99076
	Seal (Outer) .....	15546	1968-1957	New Process 201:	
	(Speedi-Sleeve) (Outer) .....	99156		Seal .....	7440
1995-1994	New Process 231 w/Ser. No. 52098314, 52098357 & 52098502 Trans.:			(Speedi-Sleeve) .....	99076
	Seal (Outer) .....	18999	<b>Side Gear</b>		
<b>Rear Output Shaft</b>			1986-1980	New Process 208:	
1995-1994	New Process 241:			Bearing .....	[120] C1086-Q
	Seal .....	18999	<b>Transmission-Automatic</b>		
1995-1994	New Process 231 w/Ser. No. 52098023, 52098024, 52098497, 52098498, 52098542 & 52098543 Trans.:		<b>Front Output Shaft</b>		
	Bearing .....	6206-J	1995-1994	42RE, 42RH, 46RE, 46RH & 47RE Trans.:	
1995-1994	New Process 231 w/Ser. No. 52098314, 52098357 & 52098502 Trans.:			Bearing (Front) .....	6014-NRJ
	Bearing .....	6207-J		Bearing (Rear) .....	■ 6207-VSP55
1993-1988	New Process 231:		<b>Front Pump</b>		
	Seal .....	15546	1995-1994	46RE, 46RH, 47RE & 48RE Trans.:	
1993-1988	New Process 241:			Seal .....	18508
	Seal .....	18662	1995-1994	31RH, 42RE, 42RH & 44RE Trans.:	
	(Speedi-Sleeve) .....	99187		Seal .....	14939
	Bearing .....	6207-J		(Speedi-Sleeve) .....	99149
			1993-1991	A500, A998 & A999 Trans.:	
				Seal .....	14939
				(Speedi-Sleeve) .....	99149
			1993-1958	A518 & A727 Trans.:	
				Seal .....	18508
			1990-1978	A500, A904, A998, & A999 Trans.:	
				Seal .....	15022
				(Speedi-Sleeve) .....	99149
					(Continued)

## Passenger cars, light & medium trucks

### Dodge Truck 1/2 ton, AD150, AW150, D100, D150, P100, P150, W100, W150, R1500, Dakota, Nitro, Ramcharger, Ram chassis -- (Cont.)

MFG./YEAR	MODEL & LOCATION	PART NO.	MFG./YEAR	MODEL & LOCATION	PART NO.
<b>Transmission-Automatic (Cont.)</b>			<b>Transmission</b>		
<b>Front Pump (Cont.)</b>			<b>Kit</b>		
1957-1954	Power-Flite Trans.:		1995-1992	RWD, NV4500 Trans Mfr Code, 5 Speed; Gas or Diesel:	
	Seal .....	21098		Light Duty Kit .....	STK4500-D
	(Speedi-Sleeve) .....	99112	1965	RWD, NP435 Trans Mfr Code, 4 Speed; Alum. Shift Cover (Ball I/S Brg.):	
<b>Rear</b>				Light Duty Kit .....	STK127-G
1995-1994	42RE, 42RH, 46RE & 46RH Trans. w/4 W/D:		1965	4WD, NP435 Trans Mfr Code, 4 Speed; Alum. Shift Cover (Ball I/S Brg.):	
	Seal .....	19211		Light Duty Kit .....	STK127-G
	(Speedi-Sleeve) .....	99193	<b>Transmission-Manual</b>		
1995-1994	42RE, 42RH, 44RE, 46RE, 46RH & 47RE Trans. w/o 4 W/D:		<b>Adapter Housing</b>		
	Seal .....	16725	1995-1992	AX15 Trans.:	
	(Use) .....	+16567		Seal .....	19601
1993-1992	A518 Trans. w/4 W/D:			(Speedi-Sleeve) .....	99196
	Seal .....	19211	<b>Countershaft</b>		
	(Speedi-Sleeve) .....	99193	1983-1969	4 Spd. New Process 435 Trans.:	
	Bearing .....	■ 6207-VSP55		Bearing (Thrust) .....	NTA2031
1993-1990	A518 Trans. w/o 4 W/D:			Bearing (Front) .....	M24161-X1
	Seal .....	16725		Bearing (Rear) .....	B3216
	(Speedi-Sleeve) .....	99168	1981-1964	4 Spd. New Process 445 Trans.:	
	(Speedi-Sleeve/Seal Kit) .....	480168		Bearing (Front) .....	M24161-X1
	Bearing .....	■ 6207-VSP55		Bearing (Rear) .....	B3216
1993-1990	A500 4 Spd. Trans. w/o 4 W/D:		1976-1969	3 Spd. A250 Trans.:	
	Seal .....	16725		Bearing .....	[88] C407-Q
	(Speedi-Sleeve) .....	99168	1971-1964	3 Spd. A903 Trans. w/A Series:	
	(Speedi-Sleeve/Seal Kit) .....	480168		Bearing .....	[44] C1086-Q
	Bearing .....	■ 6207-VSP55	1968-1961	4 Spd. 433D Trans.:	
1993-1988	A727 Trans.:			Bearing (Front) .....	207-NRJ
	Bearing .....	■ 6207-VSP55		Bearing (Rear) .....	B2816
1993-1988	A500 4 Spd. Trans. w/4 W/D:		1968-1957	4 Spd. New Process 420 Trans.:	
	Seal .....	19211		Bearing (Front) .....	207-ZNRJ
	(Speedi-Sleeve) .....	99193		Bearing (Rear) .....	M28161
	Bearing .....	■ 6207-VSP55	1960-1959	3 Spd. Exc. Warner T85 & T87 Trans.:	
1993-1978	A904, A998 & A999 Trans.:			Bearing .....	[44] C1086-Q
	Seal .....	15546	1958-1957	3 Spd. Trans. w/F.C.:	
	(Speedi-Sleeve) .....	99156		Bearing .....	J32-2080
	Bearing .....	6206-VSP97	1958-1954	3 Spd. Trans. w/Side Control:	
1989-1969	A727 Trans.:			Bearing .....	[44] C1086-Q
	Seal (1.563" Shaft) .....	15729	1958-1946	3 Spd. Trans. w/Top Control:	
	Seal (1.688" Shaft) .....	16725		Bearing .....	[44] C407-Q
	(Speedi-Sleeve) (1.688" Shaft) .....	99168	<b>Countershaft Front</b>		
	(Speedi-Sleeve/Seal Kit) .....	480168	1995-1994	4500 Trans.:	
	Bearing .....	■ 6207-VSP55		Bearing .....	BR50
1968-1958	A727 Trans.:			(Set Components) .....	LM102949/LM102910
	Seal .....	16725	1993-1988	5 Spd. New Process 535 Trans.:	
	(Speedi-Sleeve) .....	99168		Bearing .....	LM67048/LM67010BCE
	(Speedi-Sleeve/Seal Kit) .....	480168	<b>Countershaft Rear</b>		
	Bearing .....	■ 6207-VSP55	1995-1994	4500 Trans.:	
1962-1957	Load-Flite Trans.:			Bearing .....	BR35
	Seal .....	15620		(Set Components) .....	LM501349/LM501310
	(Speedi-Sleeve) .....	99156	1993-1988	4 Spd. New Process 435 Trans.:	
1957-1954	Power-Flite Trans.:			Bearing .....	B3216
	Seal .....	15620		Bearing (Thrust) .....	NTA2031
	(Speedi-Sleeve) .....	99156	1993-1988	5 Spd. New Process 535 Trans.:	
	Bearing .....	6206-J		Bearing .....	BR2
<b>Shift Shaft</b>				(Set Components) .....	LM11949/LM11910
1995-1972	All:				(Continued)
	Seal .....	8017			



# Passenger cars, light & medium trucks

(Cont.) -- Dodge Truck 1/2 ton, AD150, AW150, D100, D150, P100, P150, W100, W150, R1500, Dakota, Nitro, Ramcharger, Ram chassis

MFG./YEAR	MODEL & LOCATION	PART NO.	MFG./YEAR	MODEL & LOCATION	PART NO.
<b>Transmission-Manual (Cont.)</b>			<b>Transmission-Manual (Cont.)</b>		
<b>Front</b>			<b>Mainshaft Pilot (Cont.)</b>		
1995-1994	3500 Trans.:		1981-1969	3 Spd. A230 Trans.:	
	Seal .....	13888		Bearing .....	[14] QBR23549
	(Speedi-Sleeve) .....	99139	1976-1969	3 Spd. A250 Trans.:	
	Bearing .....	6307-2RSNRX		Bearing .....	[14] QBR23549
1995-1994	4500 Trans.:		1971-1964	A Series w/3 Spd. A903 Trans.:	
	Seal .....	13557		Bearing .....	[15] QBR23549
	(Speedi-Sleeve) .....	99138	1971-1961	3 Spd. A745 Trans.:	
1995-1992	AX15 Aisin Trans.:			Bearing .....	[15] QBR23549
	Seal .....	12747	1960-1959	3 Spd. Exc. Warner T85 & T87 Trans.:	
	(Speedi-Sleeve) .....	99128		Bearing .....	[14] QBR23549
1993-1988	New Process 435 Trans.:		1958-1957	3 Spd. Trans. Exc. F.C.:	
	Seal .....	10515		Bearing .....	[14] QBR23549
	(Speedi-Sleeve) .....	99106	1956-1946	3 Spd. Trans.:	
1993-1974	A535 & A833 Trans.:			Bearing .....	[14] QBR23549
	Seal .....	10515	<b>Mainshaft Rear</b>		
	(Speedi-Sleeve) .....	99106	1995-1994	4500 Trans.:	
1987-1986	New Process 435 Trans. w/Assy. No. 4295498 Thru 4295501:			Bearing .....	M804049/M804010
	Seal .....	13557	1993-1988	New Process A833 Trans. w/318 Eng.:	
	(Speedi-Sleeve) .....	99138		Bearing .....	6308-VSP21
1987-1986	New Process 435 Trans. w/Assy. No. 4340268, 269:		1993-1988	4 Spd. New Process 435 Trans.:	
	Seal .....	10515		Bearing .....	6308-NRJ
	(Speedi-Sleeve) .....	99106	<b>Output Shaft</b>		
1985-1963	4 Spd. New Process 435 & 445 Trans.:		1995-1994	3500 Trans. w/4 W/D:	
	Seal .....	13557		Seal .....	14087
	(Speedi-Sleeve) .....	99138		(Speedi-Sleeve) .....	99146
	Bearing .....	HM88649/HM88610		Bearing .....	6307-2RSJ
1981-1974	A390 Trans.:		1995-1994	3500 Trans. w/o 4 W/D:	
	Seal .....	11123		Seal .....	16725
	(Speedi-Sleeve) .....	99112		(Speedi-Sleeve) .....	99168
1981-1969	A230 Trans.:			(Speedi-Sleeve/Seal Kit) .....	480168
	Seal .....	10515	1995-1994	AX15 Aisin Trans.:	
	(Speedi-Sleeve) .....	99106		Bearing .....	6308-VSP92
	Bearing .....	307-NRJ	1993-1988	5 Spd. New Process 535 Trans.:	
1977-1969	A250 Trans.:			Bearing .....	207-NRJ
	Seal .....	10515	<b>Rear</b>		
	(Speedi-Sleeve) .....	99106	1995-1994	4500 Trans. w/Ser. No. 52108001, 52108128 & 52108194:	
	Bearing .....	■ N6307-NJX		Seal .....	16725
1973-1963	A745 Trans.:			(Speedi-Sleeve) .....	99168
	Seal .....	10515		(Speedi-Sleeve/Seal Kit) .....	480168
	(Speedi-Sleeve) .....	99106	1995-1994	4500 Trans. w/Ser. No. 52108224, 52108130 & 52108196:	
1962-1948	4 Spd. Trans.:			Seal .....	22029
	Bearing .....	209-ZNRJ	1995-1994	4500 Trans. w/Ser. No. 52108225, 53006845, 52108129, 52108131, 52108195 & 52108197:	
1960-1959	3 Spd. Trans.:			Seal .....	19211
	Bearing .....	207-NRJ		(Speedi-Sleeve) .....	99193
1958-1957	F.C. Trans.:		1995-1992	AX15 Aisin Trans.:	
	Bearing .....	209-NRJ		Seal .....	14732
1958-1957	Side Control Trans.:			(Speedi-Sleeve) .....	99147
	Bearing .....	207-NRJ	1995-1990	Dakota w/o 4 W/D:	
1958-1957	Top Control:			Seal .....	15546
	Bearing .....	207-ZNRJ		(Speedi-Sleeve) .....	99156
1956-1946	All:		1993-1987	A535 Trans.:	
	Bearing .....	207-NRJ		Seal .....	19211
<b>Mainshaft Pilot</b>				(Speedi-Sleeve) .....	99193
1990-1978	4 Spd. A833 Trans.:			Bearing .....	207-NRJ
	Bearing .....	[16] QBR23549	(Continued)		
1990-1957	4 Spd. Exc. A833 Trans.:				
	Bearing .....	[14] Q15902			

## Passenger cars, light & medium trucks

### Dodge Truck 1/2 ton, AD150, AW150, D100, D150, P100, P150, W100, W150, R1500, Dakota, Nitro, Ramcharger, Ram chassis -- (Cont.)

MFG./YEAR	MODEL & LOCATION	PART NO.	MFG./YEAR	MODEL & LOCATION	PART NO.
<b>Transmission-Manual (Cont.)</b>			<b>Transmission-Manual (Cont.)</b>		
<b>Rear (Cont.)</b>			<b>Shift Shaft</b>		
1993-1974	A390 & A833 Trans.:		1977-1969	A230 Trans.:	
	Seal .....	16725		Seal .....	6141
	(Speedi-Sleeve) .....	99168		(Speedi-Sleeve) .....	99062
	(Speedi-Sleeve/Seal Kit) .....	480168	1968-1963	A745 Trans.:	
1993-1963	New Process 435 & 445 Trans.:			Seal .....	6141
	Seal .....	15620		(Speedi-Sleeve) .....	99062
	(Speedi-Sleeve) .....	99156	<b>Air Conditioning Clutch</b>		
1981-1969	A230 & A250 Trans.:		1993-1980	Nippondenso:	
	Seal (1.563" Shaft) .....	15620		Bearing .....	AC1
	(Speedi-Sleeve) (1.563" Shaft) .....	99156	1979-1969	All:	
	Seal (1.688" Shaft) .....	16725		Bearing .....	5206-A2RS
	(Speedi-Sleeve) (1.688" Shaft) .....	99168	<b>Air Conditioning Compressor</b>		
	(Speedi-Sleeve/Seal Kit) .....	480168	1977-1969	All:	
	Bearing .....	6307-NRJ		Bearing .....	6205-J
1971-1969	A745 Trans.:		<b>Alternator</b>		
	Seal .....	15620	1990-1988	Bosch 40 & 90 Amp.:	
	(Speedi-Sleeve) .....	99156		Bearing (Rear) .....	6203-2RSJ
1969-1966	D100 w/3 Spd. Trans.:		1990-1988	Chrysler 40, 50, 90 & 100 Amp.:	
	Seal .....	16725		Bearing (Front) .....	6203-2RSJ
	(Speedi-Sleeve) .....	99168	1987-1986	78 Amp.:	
	(Speedi-Sleeve/Seal Kit) .....	480168		Bearing (Front) .....	6203-2RSJ
1969-1961	4 Spd. New Process 420 Trans.:			Bearing (Rear) .....	MNJ471-S
	Seal .....	21210	1987-1986	114 Amp.:	
	(Speedi-Sleeve) .....	99212		Bearing (Front) .....	6303-2ZJ
1968-1963	A745 Trans.:		1987-1982	60 Amp.:	
	Seal (1.688" Shaft) .....	16725		Bearing (Front) .....	6203-2RSJ
	(Speedi-Sleeve) (1.688" Shaft) .....	99168		Bearing (Rear) .....	MNJ471-S
	(Speedi-Sleeve/Seal Kit) .....	480168	1985-1982	114 Amp.:	
	Seal (2.125" Shaft) .....	21210		Bearing (Front) .....	6203-2ZJ
	(Speedi-Sleeve) (2.125" Shaft) .....	99212	1985-1978	41, 53 & 63 Amp.:	
1962-1961	D100 & P100 w/3 Spd. Trans.:			Bearing (Front) .....	6203-2RSJ
	Seal .....	21210		Bearing (Rear) .....	MNJ471-S
	(Speedi-Sleeve) .....	99212	1981-1978	65 Amp.:	
1962-1948	4 Spd. Trans.:			Bearing (Front) .....	6203-2RSJ
	Seal .....	21210	1981-1974	100 Amp.:	
	(Speedi-Sleeve) .....	99212		Bearing (Front) .....	6303-2ZJ
1960-1959	3 Spd. Warner T85 Trans.:		1977-1974	w/o 100 Amp.:	
	Seal .....	21210		Bearing (Front) .....	6203-2RSJ
	(Speedi-Sleeve) .....	99212		Bearing (Rear) .....	MNJ471-S
	Bearing .....	307-J	1973-1963	All:	
1960-1959	3 Spd. Warner T87 Trans.:			Bearing (Front) .....	6203-2RSJ
	Seal .....	21210		Bearing (Rear) .....	MNJ471-S
	(Speedi-Sleeve) .....	99212	<b>Drive Shaft</b>		
1959-1954	3 Spd. Trans. w/Side Control:		1995-1994	R1500 w/Dana Axle:	
	Seal .....	15620		Bearing & Support .....	HB88530
	(Speedi-Sleeve) .....	99156	1995-1994	R1500 w/9.25" Axle:	
	Bearing .....	207-J		Bearing & Support .....	HB88107-B
1958-1957	F.C. Trans.:		1995-1987	Dakota w/o 4 W/D:	
	Bearing .....	6307-NRJ		Bearing & Support .....	HB88107-B
1958-1954	Top Control Trans.:		1993-1989	1410 Series:	
	Bearing .....	6306-NRJ		Bearing & Support .....	HB88508-AB
<b>Reverse Idler</b>			1993-1959	7260 & 7290 Series:	
1981-1961	3 Spd. Trans.:			Bearing Only .....	BR88107
	Bearing .....	[22] C1086-Q	1987	Dakota w/V6 Eng.:	
1976-1963	4 Spd. New Process 435 Trans.:			Bearing & Support .....	HB88107-B
	Bearing .....	[68] C407-Q		Bearing & Support .....	HB88107-B

(Continued)

# Passenger cars, light & medium trucks

(Cont.) -- Dodge Truck 1/2 ton, AD150, AW150, D100, D150, P100, P150, W100, W150, R1500, Dakota, Nitro, Ramcharger, Ram chassis

MFG./YEAR	MODEL & LOCATION	PART NO.	MFG./YEAR	MODEL & LOCATION	PART NO.
<b>Drive Shaft (Cont.)</b>			<b>Engine (Cont.)</b>		
1983-1982	W150 w/149" W.B.:		<b>Timing Cover (Cont.)</b>		
	Bearing Only	BR88107	1978-1974	400 & 440 Engs.:	
	Bearing & Support	HB88107-B	Seal		21944
1958-1946	All:		(Speedi-Sleeve)		99218
	Bearing Only	6208-J	(Speedi-Sleeve/Seal Kit)		480219
<b>Engine</b>			1977-1963	225 (3.7L) Eng.:	
<b>Camshaft Front</b>			Seal		22415
1995-1988	135 (2.2L) & 151 (2.5L) Engs.:		(Speedi-Sleeve)		99226
	Seal (Front)	13624	1971-1970	198 Eng.:	
	(Speedi-Sleeve)	99139	Seal		22415
<b>Camshaft Rear</b>			(Speedi-Sleeve)		99226
1995-1988	135 (2.2L) & 151 (2.5L) Engs.:		1971-1963	383 Eng.:	
	Seal	9420	Seal		21944
<b>Crankshaft-Rear</b>			(Speedi-Sleeve)		99218
1995-1994	5.9L Eng.:		(Speedi-Sleeve/Seal Kit)		480219
	Seal Kit	285	1968-1963	318 (5.2L) Eng.:	
1995-1987	135 (2.2L) & 151 (2.5L) Engs.:		Seal		21944
	Seal	35828	(Speedi-Sleeve)		99218
1993-1990	360 (5.9L) Eng.:		1962-1953	6 Cyl. Eng. From Late '53:	
	Seal Kit	285	Seal		21814
1993-1987	239 (3.9L) & 318 (5.2L) Engs.:		(Speedi-Sleeve)		99218
	Seal Kit	212	<b>Generator</b>		
1989-1972	360 (5.9L) Eng.:		<b>Front</b>		
	Seal Kit	214	1960-1946	All:	
1986-1963	318 (5.2L) Eng.:			Bearing	6203-J
	Seal Kit	212	<b>Rear</b>		
1962-1953	8 Cyl. Eng.:		1960-1957	H.D.:	
	Seal Kit	212		Bearing	6204-J
<b>Intermediate Shaft</b>			1960-1946	w/o H.D.:	
1995-1988	135 (2.2L) & 151 (2.5L) Engs.:			Bearing	6203-J
	Seal	13624	<b>Steering-Power</b>		
	(Speedi-Sleeve)	99139	<b>Pitman Shaft</b>		
<b>Timing Belt Tensioner</b>			1986-1972	All:	
1995-1989	2.5L Eng.:			Seal (Inner)	12371
	Bearing & Housing Assy.	VKM61000		Seal (Outer)	12355
<b>Timing Belt and Tensioner Kit</b>				Seal Kit	12392
1995-1989	Dakota w/2.5L Eng.:		1971-1961	4 W/D:	
	Belt & Tensioner Kit	VKMA41000	Seal		11055
1988-1987	Dakota w/2.2L Eng.:		1971-1957	w/o 4 W/D:	
	Belt & Tensioner Kit	VKMA41001		Seal (Inner)	12371
<b>Timing Cover</b>				Seal (Outer)	12355
1995-1988	238 (3.9L) Eng.:			Seal Kit	12392
	Seal	21944	<b>Pump Shaft</b>		
	(Speedi-Sleeve)	99218	1992-1972	All:	
	(Speedi-Sleeve/Seal Kit)	480219		Seal	7475
1995-1969	318 (5.2L) & 360 (5.9L) Engs.:		1971-1963	w/o 4 W/D:	
	Seal	21944		Seal	7475
	(Speedi-Sleeve)	99218	1971-1961	4 W/D:	
	(Speedi-Sleeve/Seal Kit)	480219		Seal	8019
1995-1989	151 (2.5L) Eng.:		1960-1959	6 Cyl. Eng.:	
	Seal	11122		Seal	7440
	(Speedi-Sleeve)	99112	1960-1959	8 Cyl. Eng.:	
1988-1987	135 (2.2L) Eng.:			Seal	6729
	Seal	13624	1958	All:	
	(Speedi-Sleeve)	99139		Seal	6767
1987-1978	225 (3.7L) Eng.:		1957	All:	
	Seal	22425		Seal	5046
	(Speedi-Sleeve)	99225			

(Continued)

## Passenger cars, light & medium trucks

### Dodge Truck 1/2 ton, AD150, AW150, D100, D150, P100, P150, W100, W150, R1500, Dakota, Nitro, Ramcharger, Ram chassis -- (Cont.)

MFG./YEAR	MODEL & LOCATION	PART NO.	MFG./YEAR	MODEL & LOCATION	PART NO.
<b>Steering-Power (Cont.)</b>			<b>Steering-Standard (Cont.)</b>		
<b>Worm Shaft</b>			<b>Pitman Shaft (Cont.)</b>		
1992-1982	All:		1960-1954	All:	
	Seal .....	6139		Seal .....	12334
1981-1978	Chrysler:		<b>Worm Shaft</b>		
	Seal .....	6139	1988-1963	All:	
1977-1972	All:			Seal .....	7481
	Seal .....	6141	<b>Steering-Standard</b>		
1971-1963	All:		<b>Pitman Shaft</b>		
	Seal .....	7481	1988-1969	All:	
<b>Steering-Standard</b>				Seal .....	12350
<b>Pitman Shaft</b>			1968-1963	All:	
1988-1969	All:			Seal .....	11055
	Seal .....	12350			
1968-1963	All:				
	Seal .....	11055			

### Dodge Truck 3/4 ton, D200, D250, P200, P250, W200, W250, R2500

MFG./YEAR	MODEL & LOCATION	MFG./YEAR	MODEL & LOCATION
<b>Wheel Front (2 W/D)</b>		<b>Wheel Front (2 W/D) (Cont.)</b>	
1995-1994	All:	1977-1972	3800 lb. Axle:
	Seal .....		Seal .....
	Bearing (Inner) .....		Bearing (Inner) .....
	(Set Components) .....		(Set Components) .....
	Bearing (Outer) .....		Bearing (Outer) .....
1993-1984	5 Stud Hub:	1972-1969	12" X 2.5" Brks.:
	Seal .....		Seal .....
	Bearing (Inner) .....		Bearing (Inner) .....
	(Set Components) .....		(Set Components) .....
	Bearing (Outer) .....		Bearing (Outer) .....
	(Set Components) .....		(Set Components) .....
1993-1984	8 Stud Hub w/4000 lb. Axle:	1972-1969	12" X 3" Brks.:
	Seal .....		Seal .....
	Bearing (Inner) .....		Bearing (Inner) .....
	(Set Components) .....		(Set Components) .....
	Bearing (Outer) .....		Bearing (Outer) .....
	(Set Components) .....		(Set Components) .....
1992-1984	3,600 lb. Axle w/8 Stud Hub:	1968-1954	Conventional Cab:
	Seal .....		Seal .....
	Bearing (Inner) .....		Bearing (Inner) .....
	(Set Components) .....		(Set Components) .....
	Bearing (Outer) .....		Bearing (Outer) .....
	(Set Components) .....		(Set Components) .....
1983-1982	4400 lb. Axle:	1968-1954	Crew Cab:
	Seal .....		Seal .....
	Bearing (Inner) .....		Bearing (Inner) .....
	(Set Components) .....		(Set Components) .....
	Bearing (Outer) .....		Bearing (Outer) .....
	(Set Components) .....		(Set Components) .....
1983-1978	8 Stud Hub w/3300 lb. & 3600 lb. Axles:	1995-1994	Rr. Whl. ABS, 4 Mounting Holes & 8800 lb. G.V.W.:
	Seal .....		Hub Assembly .....
	Bearing (Inner) .....		1995-1994
	(Set Components) .....		Rr. Whl. ABS, 3 Mounting Holes & 8650 lb. G.V.W.:
	Bearing (Outer) .....		Hub Assembly .....
	(Set Components) .....		
1983-1972	5 Stud Hub w/3300 lb. Axle:		
	Seal .....		
	Bearing (Inner) .....		
	(Set Components) .....		
	Bearing (Outer) .....		
	(Set Components) .....		

# Passenger cars, light & medium trucks

## (Cont.) -- Dodge Truck 3/4 ton, D200, D250, P200, P250, W200, W250, R2500

MFG./YEAR	MODEL & LOCATION	PART NO.	MFG./YEAR	MODEL & LOCATION	PART NO.
<b>Wheel Front (4 W/D) (Cont.)</b>			<b>Wheel Front (4 W/D) (Cont.)</b>		
<b>1993-1985 Spicer 44 w/3500 lb. Axle:</b>			<b>Axle Shaft (Cont.)</b>		
	Seal .....	24917	<b>1993-1990 Spicer 60 w/4500 lb. Axle:</b>		
	Bearing (Inner) .....	LM104949/JLM104910	Seal .....		15194
	Bearing (Outer) .....	BR35	(V-Ring) .....		400659
	(Set Components) .....	LM501349/LM501310	<b>1989-1988 Spicer 60 Axle:</b>		
<b>1993-1978 Spicer 60 Axle w/4500 lb. Axle:</b>			Seal .....		18896
Seal .....		27452	<b>1987-1970 Spicer 60 Axle:</b>		
Bearing (Inner) .....		387-A/382-A	Seal .....		18891
Bearing (Outer) .....		BR38	<b>1984-1980 Spicer 44 Axle:</b>		
(Set Components) .....		LM104949/LM104911	Seal .....		13165
<b>1984 Spicer 44 w/3500 lb. Axle:</b>			<b>1969-1961 All:</b>		
Seal .....		24898	Seal .....		18888
Bearing (Inner) .....		LM104949/JLM104910	<b>Spindle Hub</b>		
Bearing (Outer) .....		BR35	<b>1992-1990 Spicer 60 Axle:</b>		
(Set Components) .....		LM501349/LM501310	Seal .....		711822
<b>1983-1978 Spicer 44 Axle w/Non-Locking Hub:</b>			(V-Ring) .....		400650
Seal .....		26153	Bearing .....		B2414
(V-Ring) .....		400700	Seal & Bearing Kit .....		BK3
Bearing .....		BR25	<b>1992-1985 Spicer 44 Axle:</b>		
<b>1983-1978 Spicer 44 Axle w/Locking Hub:</b>			Seal (Inner) .....		22311
Seal (Inner) .....		22311	Seal (Outer) .....		711818
Seal (Outer) .....		26153	Bearing .....		B2110
Bearing (Inner) .....		LM104949/JLM104910	Seal & Bearing Kit .....		BK1
Bearing (Outer) .....		BR35	<b>1989-1986 Spicer 60 Axle:</b>		
(Set Components) .....		LM501349/LM501310	Seal .....		711822
<b>1977-1975 Spicer 44 Axle:</b>			Bearing .....		B2414
Seal .....		26153	<b>1985-1974 Spicer 60 Axle:</b>		
(V-Ring) .....		400700	Seal .....		15194
Bearing .....		BR25	(V-Ring) .....		400650
<b>1974 Spicer 44 Axle &amp; Disc Brks.:</b>			Bearing .....		B2414
Seal .....		26153	<b>1984-1973 Spicer 44 Axle:</b>		
(V-Ring) .....		400700	Seal .....		24898
Bearing (Inner) .....		BR37	Bearing .....		B2110
(Set Components) .....		LM603049/LM603011	<b>Steering Knuckle</b>		
Bearing (Outer) .....		BR35	<b>1993-1980 Spicer 60 Axle:</b>		
(Set Components) .....		LM501349/LM501310	Bearing .....		BR23100/BR23256
<b>1974-1972 Spicer 44 Axle &amp; Drum Brks.:</b>			<b>1971-1957 Spicer 44 Axle:</b>		
Seal .....		24904	Bearing .....		BR11590/BR11520
Bearing (Inner) .....		BR37	<b>1971-1957 Spicer 60 Axle:</b>		
(Set Components) .....		LM603049/LM603011	Bearing .....		BR23100/BR23256
Bearing (Outer) .....		BR35	<b>Wheel Rear</b>		
(Set Components) .....		LM501349/LM501310	<b>1995-1994 13" X 2.5" Brks.:</b>		
<b>1974-1969 Spicer 60 Axle &amp; 12" X 3" Brks.:</b>			Seal .....		28754
Seal .....		28275	Bearing (Inner) .....		SET407
Bearing (Inner) .....		387-A/382-A	(Set Components) .....		BR28682/BR28622
Bearing (Outer) .....		BR38	Bearing (Outer) .....		BR38
(Set Components) .....		LM104949/LM104911	(Set Components) .....		LM104949/LM104911
<b>1973-1969 Spicer 60 Axle &amp; 12" X 2" Brks.:</b>			<b>1995-1994 13" X 3.5" Brks.:</b>		
Seal .....		22468	Seal .....		30033
Bearing (Inner) .....		BR18690/BR18620	Bearing (Inner) .....		SET416
Bearing (Outer) .....		BR18685/BR18620	(Set Components) .....		BR45291/BR45220
<b>1962-1954 All:</b>			Bearing (Outer) .....		BR38
Seal .....		22468	(Set Components) .....		LM104949/LM104911
Bearing (Inner) .....		BR18690/BR18620	<b>1993-1990 11" X 2.5" Brks. w/Chrysler Axle, 8.25" &amp; 8.375" Ring Gears:</b>		
Bearing (Outer) .....		BR18685/BR18620	Seal .....		16044
<b>1956-1946 All:</b>			(Superseded by:)		16404
Seal .....		17145	Bearing .....		R1559-TV
<b>Axle Shaft</b>					(Continued)
<b>1995-1994 Spicer 44 &amp; 60 Axles:</b>					
Seal (L.H.) .....		13165			
Seal (R.H.) .....		16015			
(Superseded by:)		16415			

Dodge Truck 3/4 ton, D200, D250, P200, P250, W200, W250, R2500 -- (Cont.)

MFG./YEAR	MODEL & LOCATION	PART NO.	MFG./YEAR	MODEL & LOCATION	PART NO.
<b>Wheel Rear (Cont.)</b>			<b>Wheel Rear (Cont.)</b>		
1993-1990	11" X 2.5" Brks. w/Chrysler Axle & 9.25" Ring Gear w/o H.D.:		1973-1969	Spicer 60 Axle w/12" X 2.5" Brks.:	
	Seal	↗16044		Seal	26238
	(Superseded by:)	16404		Bearing (Inner)	370-A/362-A
	Bearing	R1559-TV		Bearing (Outer)	359-S/354-A
1993-1990	11" X 2.5" Brks. w/Chrysler Axle, 9.25" Ring Gear & H.D.:		1968-1961	All:	
	Seal	17100		Seal	23839
	Bearing	R1561-TV		Bearing	370-A/362-A
1993-1990	12" X 2.5" Brks.:		1960-1959	w/o 4 W/D:	
	Seal (w/Flange)	24917		Seal	23839
	Seal (w/o Flange)	28746		Bearing (Inner)	368-A/362-A
	Bearing	[2] BR38		Bearing (Outer)	359-S/354-A
	(Set Components)	LM104949/LM104911	1960-1959	4 W/D:	
1993-1990	12" X 3" Brks. & Dual Rr. Whls.:			Seal (Inner)	28116
	Seal (w/Flange)	24917		Seal (Outer)	20766
	Seal (w/o Flange)	30033	1958-1957	All:	
	Bearing (Inner)	SET416		Seal (Inner)	28116
	(Set Components)	BR45291/BR45220		Seal (Outer)	20766
	Bearing (Outer)	BR38		Bearing (Inner)	SET407
	(Set Components)	LM104949/LM104911		(Set Components)	BR28682/BR28622
1993-1990	12" X 3" Brks. & Single Rr. Whls.:		1956-1948	All:	
	Seal (w/Flange)	24917		Seal (Inner)	14423
	Seal (w/o Flange)	28746		Seal (Outer)	14359
	Bearing (Inner)	SET407		Bearing (Inner)	BR2780/2735-X
	(Set Components)	BR28682/BR28622	<b>Axle Shaft</b>		
	Bearing (Outer)	BR38	1995-1984	9.25" H.D. Ring Gear:	
	(Set Components)	LM104949/LM104911		Seal	17100
1989-1984	Spicer 60 Axle w/12" X 3" Brks. & 9000 lb. G.V.W.:			Bearing	R1561-TV
	Seal	28754		(Axle Repair Brg. Assy.)	• R1561-F
	Bearing (Inner)	SET407	1995-1974	8.25", 8.375" & 9.25" Std. Ring Gears:	
	(Set Components)	BR28682/BR28622		Seal	↗16044
	Bearing (Outer)	BR38		(Superseded by:)	16404
	(Set Components)	LM104949/LM104911		Bearing	R1559-TV
1989-1984	Spicer 70 Axle w/12" X 2.5" Brks.:			(Axle Repair Brg. Assy.)	• R1559
	Seal	24917	<b>Pinion</b>		
	Bearing	[2] BR38	<b>Front Axle</b>		
	(Set Components)	LM104949/LM104911	1995-1994	Spicer 44 Axle w/3500 & 3850 lb. Capacities:	
1989-1978	Spicer 60 Axle w/12" X 3" Brks. w/o 9000 lb. G.V.W.:			Seal	15791
	Seal	30033		(Speedi-Sleeve)	99155
	Bearing (Inner)	SET416		Bearing (Front)	HM88649/HM88610
	(Set Components)	BR45291/BR45220		Bearing (Rear)	BR02872/BR02820
	Bearing (Outer)	BR38	1995-1994	Spicer 60 Axle w/4500 & 4850 lb. Capacities:	
	(Set Components)	LM104949/LM104911		Seal	18896
1989-1974	Spicer 60 Axle w/12" X 2.5" Brks.:			(Speedi-Sleeve)	99187
	Seal	24917		Bearing (Front)	HM88542/HM88510
	Bearing	[2] BR38		Bearing (Rear)	HM803146/HM803110
	(Set Components)	LM104949/LM104911	1993-1988	Spicer 60 Axle w/4500 lb. Capacity:	
1985-1974	Spicer 70 Axle w/12" X 3" Brks.:			Seal	18896
	Seal	30033		(Speedi-Sleeve)	99187
	Bearing (Inner)	SET416		Bearing (Front)	HM88542/HM88510
	(Set Components)	BR45291/BR45220		Bearing (Rear)	HM803146/HM803110
	Bearing (Outer)	BR38	1993-1974	Spicer 44 Axle w/3500 lb. Capacity:	
	(Set Components)	LM104949/LM104911		Seal	15788
1977-1969	8.75" Ring Gear:			(Speedi-Sleeve)	99155
	Seal (Inner)	15460		Bearing (Front)	BR31594/BR31520
	Seal (Outer)	19000		Bearing (Rear)	BR02872/BR02820
	Bearing	BR7			(Continued)
	(Set Components)	M201047-S/M201011			

# Passenger cars, light & medium trucks

## (Cont.) -- Dodge Truck 3/4 ton, D200, D250, P200, P250, W200, W250, R2500

MFG./YEAR	MODEL & LOCATION	PART NO.	MFG./YEAR	MODEL & LOCATION	PART NO.
<b>Pinion (Cont.)</b>			<b>Pinion (Cont.)</b>		
<b>Front Axle (Cont.)</b>			<b>Rear Axle (Cont.)</b>		
<b>1987-1978 Spicer 60 Axle w/4500 lb. Capacity:</b>			<b>1987-1972 Spicer 60 Axle:</b>		
	Seal .....	18891		Seal .....	18891
	(Speedi-Sleeve) .....	99187		(Speedi-Sleeve) .....	99187
	Bearing (Front) .....	HM88542/HM88510		Bearing (Front) .....	HM88542/HM88510
	Bearing (Rear) .....	HM803146/HM803110		Bearing (Rear) .....	HM803146/HM803110
<b>1977-1974 Spicer 60 Axle:</b>			<b>1985-1984 Spicer 70 Axle:</b>		
	Seal .....	18891		Seal .....	18891
	(Speedi-Sleeve) .....	99187		(Speedi-Sleeve) .....	99187
	Bearing (Front) .....	HM88542/HM88510		Bearing (Front) .....	HM88542/HM88510
	Bearing (Rear) .....	HM807040/HM807010		Bearing (Rear) .....	HM803146/HM803110
<b>1973-1963 4 W/D:</b>			<b>1971-1969 Spicer 60 &amp; 70 Axles w/5380 &amp; 7260 Series</b>		
	Seal .....	15788	<b>Joints:</b>		
	(Speedi-Sleeve) .....	99155		Seal .....	18891
	Bearing (Front) .....	BR31594/BR31520		(Speedi-Sleeve) .....	99187
	Bearing (Rear) .....	BR02872/BR02820		Bearing (Front) .....	HM88542/HM88510
<b>Rear Axle</b>				Bearing (Rear) .....	HM803146/HM803110
<b>1995-1994 9.25" Ring Gear:</b>			<b>1968-1961 All:</b>		
	Seal .....	18708		Seal .....	18888
	(Speedi-Sleeve) .....	99187		(Speedi-Sleeve) .....	99187
	Bearing (Front) .....	BR52		Bearing (Front) .....	HM88542/HM88510
	(Set Components) .....	M88048/M88010		Bearing (Rear) .....	HM803146/HM803110
	Bearing (Rear) .....	M804049/M804010	<b>1960-1959 2 W/D:</b>		
<b>1995-1994 Spicer 60 Axle:</b>				Seal .....	18888
	Seal .....	18896		(Speedi-Sleeve) .....	99187
	(Speedi-Sleeve) .....	99187		Bearing (Front) .....	BR52
	Bearing (Front) .....	HM88542/HM88510		(Set Components) .....	M88048/M88010
	Bearing (Rear) .....	HM803146/HM803110		Bearing (Rear) .....	HM803146/HM803110
<b>1995-1994 Spicer 70 Axle:</b>			<b>1960-1959 4 W/D:</b>		
	Seal .....	18896		Seal .....	18924
	(Speedi-Sleeve) .....	99187		(Speedi-Sleeve) .....	99187
	Bearing (Front) .....	HM88542/HM88510		Bearing (Front) .....	BR3878/BR3820
	Bearing (Rear) .....	HM803149/HM803110	<b>1958-1946 All:</b>		
<b>1995-1994 Spicer 80 Axle:</b>				Seal .....	18880
	Seal .....	25140		(Speedi-Sleeve) .....	99187
	(Speedi-Sleeve) .....	99250	<b>Differential</b>		
	Bearing (Front) .....	M802048/M802011	<b>Kit</b>		
	Bearing (Rear) .....	HM807046/HM807010	<b>1995-1994 Dana 80 Axle:</b>		
<b>1993-1988 8.25" &amp; 8.375" Ring Gears:</b>				Standard Seal and Bearing Kit Rear .....	SDK337
	Seal .....	16805	<b>1995-1961 Dana 60 Axle:</b>		
	(Speedi-Sleeve) .....	99168		Standard Seal and Bearing Kit Front .....	SDK331
	Bearing (Front) .....	M86649/M86610		Standard Seal and Bearing Kit Rear .....	SDK331
	Bearing (Rear) .....	M802048/M802011	<b>1995-1974 9.25" Ring Gear:</b>		
<b>1993-1988 Spicer 60, 70 &amp; 71 Axles:</b>				Standard Seal and Bearing Kit Rear .....	SDK304
	Seal .....	18896		Master Seal and Bearing Kit Rear .....	SDK304-MK
	(Speedi-Sleeve) .....	99187	<b>1984-1980 Dana 44 Axle:</b>		
	Bearing (Front) .....	HM88542/HM88510		Standard Seal and Bearing Kit Front .....	SDK339-B
	Bearing (Rear) .....	HM803149/HM803110	<b>1980-1969 Dana 70 Axle:</b>		
<b>1993-1974 9.25" Ring Gear:</b>				Standard Seal and Bearing Kit Rear .....	SDK332
	Seal .....	18708	<b>1978-1969 Dana 44 Axle:</b>		
	(Speedi-Sleeve) .....	99187		Standard Seal and Bearing Kit Front .....	SDK339-B
	Bearing (Front) .....	BR52	<b>1974-1969 8.75" w/1.875" Pin. Shaft O.D. Ring Gear:</b>		
	(Set Components) .....	M88048/M88010		Standard Seal and Bearing Kit Rear .....	SDK301
	Bearing (Rear) .....	M804049/M804010	<b>1968-1965 8.75" w/1.75" Pin. Shaft O.D. Ring Gear:</b>		
<b>1987-1986 8.25" Ring Gear:</b>				Standard Seal and Bearing Kit Rear .....	SDK300
	Seal .....	16805	<b>Front Axle</b>		
	(Speedi-Sleeve) .....	99168	<b>1995-1972 Spicer 60 Axle:</b>		
	Bearing (Front) .....	M86649/M86610		Bearing .....	[2] 387-A/382-S
	Bearing (Rear) .....	M802048/M802011	<b>1995-1969 Spicer 44 Axle:</b>		
				Bearing .....	[2] BR25590/BR25523
					(Continued)

## Passenger cars, light & medium trucks

### Dodge Truck 3/4 ton, D200, D250, P200, P250, W200, W250, R2500 -- (Cont.)

MFG./YEAR	MODEL & LOCATION	PART NO.	MFG./YEAR	MODEL & LOCATION	PART NO.
<b>Differential (Cont.)</b>			<b>Transfer Case (Cont.)</b>		
<b>Front Axle (Cont.)</b>			<b>Kit (Cont.)</b>		
1967-1957	All:		1987-1980	205 w/ 6307N Input Bearing:	
	Bearing	[2] BR25577/BR25523		Transfer Case Kit	STCK205-G
<b>Rear Axle</b>			1974-1969	205 w/ 6307N Input Bearing:	
1995-1994	Spicer 80 Axle:			Transfer Case Kit	STCK205-G
	Bearing	[2] BR469/453-X	<b>Adapter Housing</b>		
1995-1988	Spicer 60, 70 & 71 Axles:		1993-1990	New Process 205 w/Diesel Eng.; New Process 241:	
	Bearing	[2] 387-A/382-S		Seal	19255
1995-1976	9.25" Ring Gear:			(Speedi-Sleeve)	99193
	Bearing	[2] JLM704649/JLM704610	1993-1987	New Process 205 w/Gas Eng.:	
1990-1986	8.250" & 8.375" Ring Gears:			Seal	13557
	Bearing	[2] BR36		(Speedi-Sleeve)	99138
	(Set Components)	LM603049/LM603012	<b>Front Output Shaft</b>		
1987-1972	Spicer 60 Axle:		1995-1994	New Process 231:	
	Bearing	[2] 387-A/382-S		Seal	15560
1985-1984	Spicer 70 Axle:			Bearing (Front)	6206-J
	Bearing	[2] HM807040/HM807010		Bearing (Rear)	J2416
1985-1978	8.375" Ring Gear:		1995-1994	New Process 241:	
	Bearing	[2] BR36		Seal	18771
	(Set Components)	LM603049/LM603012		(Speedi-Sleeve)	99187
1977-1971	8.75" Ring Gear:			Bearing (Front)	6207-VSP55
	Bearing	[2] LM104949/LM104912		Bearing (Rear)	J2416
1977-1963	8.375" Ring Gear:		1993-1989	New Process 205:	
	Bearing	[2] BR50		Seal	18752
	(Set Components)	LM102949/LM102910		Bearing (Front)	6307-NRJ
1970-1963	8.75" Ring Gear:			Bearing (Rear)	M28161
	Bearing	[2] 387-A/382-S	1993-1988	New Process 241:	
1962-1959	4 W/D:			Seal	18662
	Bearing	[2] BR28580/BR28521		(Speedi-Sleeve)	99187
1958-1957	All:			Bearing (Front)	6307-NRJ
	Bearing	[2] BR28580/BR28521		Bearing (Rear)	J2416
<b>Clutch</b>			1990-1980	New Process 208:	
<b>Pilot</b>				Seal	18662
1995-1994	5.2L & 5.9L Eng. Exc. Diesel:			(Speedi-Sleeve)	99187
	Bearing	B128		Bearing (Front)	B2816
1995-1994	5.9L Diesel & 8.0L Eng.:			Bearing (Rear)	J2416
	Bearing	SCE1211P		Bearing (Thrust)	[2] NTA2840
1993-1948	All:		1981-1980	New Process 205:	
	Bearing	B286		Seal	18752
<b>Release</b>			1979-1978	New Process 203:	
1995-1992	w/o Diesel Eng.:			Seal	17720
	Bearing Assembly	N4093		(Speedi-Sleeve)	99174
1995-1989	Diesel Eng.:		1977-1975	New Process 203:	
	Bearing Assembly	N4070		Seal	17716
1991-1988	w/o Diesel Eng.:			(Speedi-Sleeve)	99174
	Bearing Assembly	N4054		Bearing (Rear)	M28161
1987-1969	All:		1974-1969	New Process 205:	
	Bearing Only	N1054		Seal	21213
	Bearing Assembly	N1463		(Speedi-Sleeve)	99212
	(Self-Aligning)	N1463-SA		Bearing (Rear)	M28161
1968-1950	Exc. Power Wgn.:		1968-1954	New Process 205:	
	Bearing Only	N1087		Seal	21213
	Bearing Assembly	N1459		(Speedi-Sleeve)	99212
1958-1957	All:		<b>Idler Shaft</b>		
	Bearing Only	N1087	1993-1988	New Process 205:	
<b>Transfer Case</b>				Bearing	[2] BR2793/BR2720
<b>Kit</b>			1981-1980	New Process 205:	
1995	241:			Bearing	[2] BR2793/BR2720
	Transfer Case Kit	STCK241-BB			(Continued)
1993-1988	205 w/ 6210N Input Bearing:				
	Transfer Case Kit	STCK205-D			



# Passenger cars, light & medium trucks

(Cont.) -- Dodge Truck 3/4 ton, D200, D250, P200, P250, W200, W250, R2500

MFG./YEAR	MODEL & LOCATION	PART NO.	MFG./YEAR	MODEL & LOCATION	PART NO.
<b>Transfer Case (Cont.)</b>			<b>Transfer Case (Cont.)</b>		
<b>Idler Shaft (Cont.)</b>			<b>Rear Output Shaft (Cont.)</b>		
1974-1948	New Process 205:		1995-1994	New Process 241:	
	Bearing .....	[2] BR2793/BR2720		Seal .....	18999
<b>Input Shaft</b>			1993-1988	New Process 205:	
1995-1994	New Process 231 & 241:			Seal .....	21213
	Seal .....	19255		(Speedi-Sleeve) .....	99212
	(Speedi-Sleeve) .....	99193		Bearing .....	6307-NRJ
	Bearing .....	5210-ANRX	1993-1988	New Process 241:	
1993-1991	New Process 205 w/Man. Trans.:			Seal .....	18662
	Bearing .....	210-NRJ		(Speedi-Sleeve) .....	99187
1993-1988	New Process 241:		1987-1986	New Process 208:	
	Bearing .....	[2] B5020		Seal .....	18771
1993-1987	New Process 205 w/Auto. Trans.:			(Speedi-Sleeve) .....	99187
	Bearing .....	307-NRJ		Bearing .....	207-NRJ
1987-1980	New Process 208:		1985-1980	New Process 208:	
	Seal .....	19255		Seal .....	18662
	(Speedi-Sleeve) .....	99193		(Speedi-Sleeve) .....	99187
	Bearing .....	[2] B5020		Bearing .....	207-NRJ
	Bearing (Thrust) .....	AXK5070	1981-1980	New Process 205:	
1979-1975	New Process 203:			Seal .....	21213
	Seal .....	19255		(Speedi-Sleeve) .....	99212
	(Speedi-Sleeve) .....	99193		Bearing (Rear) .....	6307-NRJ
1974-1954	New Process 205:		1979-1975	New Process 203:	
	Seal .....	21213		Seal .....	21061
	(Speedi-Sleeve) .....	99212		(Speedi-Sleeve) .....	99212
<b>Low Gear Rollers</b>				Bearing (Rear) .....	6307-NRJ
1993-1988	New Process 205:		1974-1969	New Process 205:	
	Bearing .....	[128] QBR23549		Seal .....	21213
1981-1980	New Process 205:			(Speedi-Sleeve) .....	99212
	Bearing .....	[128] QBR23549		Bearing (Inner) .....	BR3780/BR3720
1974-1969	New Process 205:			Bearing (Outer) .....	BR2793/BR2720
	Bearing .....	[128] QBR23549	<b>Shift Shaft</b>		
<b>Mainshaft</b>			1993-1988	New Process 205:	
1995-1994	New Process 231:			Seal .....	7464
	Seal .....	22306		(Speedi-Sleeve) .....	99076
	(Speedi-Sleeve) .....	99225	1981-1969	New Process 205:	
	Bearing .....	[2] B5020		Seal .....	7464
<b>Mainshaft Pilot</b>				(Speedi-Sleeve) .....	99076
1983-1980	New Process 208:		<b>Side Gear</b>		
	Bearing .....	B2012	1986-1980	New Process 208:	
	Bearing (Thrust) .....	TC2435		Bearing .....	[120] C1086-Q
<b>Mainshaft Rear</b>			<b>Transmission-Automatic</b>		
1995-1994	New Process 231:		<b>Front Pump</b>		
	Bearing .....	6207-J	1995-1994	46RE, 46RH, 47RE, 47RH & 48RE Trans.:	
<b>Oil Pump</b>				Seal .....	18508
1995-1988	New Process 241:		1995-1994	42RE & 42RH Trans.:	
	Seal .....	22306		Seal .....	14939
	(Speedi-Sleeve) .....	99225		(Speedi-Sleeve) .....	99149
	Bearing .....	■ 6207-VSP55	1994-1992	A518 & A727 Trans.:	
1994-1980	New Process 208:			Seal .....	18508
	Seal .....	22306	1994-1991	A998 & A999 3 Spd. Trans.:	
	(Speedi-Sleeve) .....	99225		Seal .....	14939
<b>Rear Output Shaft</b>				(Speedi-Sleeve) .....	99149
1995-1994	New Process 231 w/Ser. No. 52098023 & 52098024 Trans.:		1994-1988	A500 4 Spd. Trans.:	
	Seal (Outer) .....	15546		Seal .....	15022
	(Speedi-Sleeve) (Outer) .....	99156		(Speedi-Sleeve) .....	99149
1995-1994	New Process 231 w/Ser. No. 52098314 Trans.:		1991-1962	A518 & A727 Trans.:	
	Seal (Outer) .....	18999		Seal .....	18508

(Continued)



For explanation of symbols ●◆+■◇▲[] within (text), see page 1A.  
 Para una explicación de los símbolos ●◆+■◇▲[] en el (texto), vea página 1B.  
 Pour une explication des symboles ●◆+■◇▲[] dans (texte), voir page 1C.

## Passenger cars, light & medium trucks

### Dodge Truck 3/4 ton, D200, D250, P200, P250, W200, W250, R2500 -- (Cont.)

MFG./YEAR	MODEL & LOCATION	PART NO.	MFG./YEAR	MODEL & LOCATION	PART NO.
<b>Transmission-Automatic (Cont.)</b>			<b>Transmission</b>		
<b>Front Pump (Cont.)</b>			<b>Kit</b>		
<b>1987-1978 A904 &amp; A999 Trans.:</b>			<b>1995-1992 RWD, NV4500 Trans Mfr Code, 5 Speed; Gas or Diesel:</b>		
Seal .....		15022	Light Duty Kit .....		STK4500-D
(Speedi-Sleeve) .....		99149	<b>1995-1994 4WD, NV4500HD Trans Mfr Code, 5 Speed; Gas or Diesel:</b>		
<b>1961-1957 LoadFlite:</b>			<b>Light Duty Kit .....</b>		
Seal .....		21103			STK4500-D
(Speedi-Sleeve) .....		99212	<b>1965 4WD, NP435 Trans Mfr Code, 4 Speed; Alum. Shift Cover (Ball I/S Brg.):</b>		
<b>1957-1954 PowerFlite:</b>			<b>Light Duty Kit .....</b>		
Seal .....		21098			STK127-G
(Speedi-Sleeve) .....		99212	<b>1965 RWD, NP435 Trans Mfr Code, 4 Speed; Alum. Shift Cover (Ball I/S Brg.):</b>		
<b>Output Shaft</b>			<b>Light Duty Kit .....</b>		
<b>1995-1994 All:</b>					STK127-G
Bearing (Front) .....		6014-NRJ	<b>Transmission-Manual</b>		
Bearing (Rear) .....		■ 6207-VSP55	<b>Countershaft</b>		
<b>Rear</b>			<b>1995-1994 4500 Trans.:</b>		
<b>1995-1994 4 W/D:</b>			Bearing (Front) .....		
Seal .....		19211			BR50
(Speedi-Sleeve) .....		99193	(Set Components) .....		LM102949/LM102910
<b>1995-1994 w/o 4 W/D:</b>			Bearing (Rear) .....		
Seal .....		16725			BR35
(Use) .....		+16567	(Set Components) .....		LM501349/LM501310
<b>1993-1988 A500 &amp; A518 4 Spd. Trans.:</b>			<b>1993-1969 4 Spd. New Process 435 Trans.:</b>		
Seal .....		16725	Bearing (Front) .....		
(Speedi-Sleeve) .....		99168			M24161-X1
(Speedi-Sleeve/Seal Kit) .....		480168	Bearing (Rear) .....		
Bearing .....		■ 6207-VSP55			B3216
<b>1992-1978 A904, A998 &amp; A999 3 Spd. Trans.:</b>			Bearing (Thrust) .....		
Seal .....		15546			NTA2031
(Speedi-Sleeve) .....		99156	<b>1976-1969 3 Spd. A250 Trans.:</b>		
Bearing .....		6206-VSP97	Bearing .....		
<b>1989-1963 A727 Trans. w/Gas Eng.:</b>					[88] C407-Q
Seal (1.563" Shaft) .....		15729	<b>1962-1959 3 Spd. Warner T87 Trans.:</b>		
Seal (1.688" Shaft) .....		16725	Bearing .....		
(Speedi-Sleeve) (1.688" Shaft) .....		99168			J32-2080
(Speedi-Sleeve/Seal Kit) .....		480168	<b>1960-1959 3 Spd. Exc. Warner T85 &amp; T87 Trans.:</b>		
Bearing .....		■ 6207-VSP55	Bearing .....		
<b>1961-1959 All:</b>					[44] C1086-Q
Seal .....		13535	<b>1958-1957 3 Spd. Trans. w/F.C.:</b>		
(Speedi-Sleeve) .....		99138	Bearing .....		
<b>1958-1957 All:</b>					J32-2080
Seal .....		15620	<b>1958-1954 3 Spd. Trans. w/Side Control:</b>		
(Speedi-Sleeve) .....		99156	Bearing .....		
<b>1956-1946 All:</b>					[44] C1086-Q
Seal .....		15620	<b>1958-1946 3 Spd. Trans. w/Top Control:</b>		
(Speedi-Sleeve) .....		99156	Bearing .....		
Bearing .....		6206-J			[44] C407-Q
<b>Shift Shaft</b>			<b>Countershaft Front</b>		
<b>1995-1965 3 &amp; 4 Spd. Trans.:</b>			<b>1993-1988 New Process 535 &amp; 2500 Trans.:</b>		
Seal .....		8017	Bearing .....		
<b>1960-1956 2 Spd. Trans.:</b>					LM67048/LM67010BCE
Seal .....		◇6315	<b>Front</b>		
(Superseded by) .....		6925	<b>1995-1994 3500 Trans.:</b>		
(Speedi-Sleeve) .....		99062	Seal .....		
<b>1959-1957 3 Spd. Trans.:</b>					13888
Seal .....		7556	(Speedi-Sleeve) .....		
(Speedi-Sleeve) .....		99076	99139		
			Bearing .....		
			6307-2RSNRX		
			<b>1995-1994 4500 Trans.:</b>		
			Seal .....		
			13557		
			(Speedi-Sleeve) .....		
			99138		
			<b>1993-1988 New Process 2500, 435 &amp; 535 Trans.:</b>		
			Seal .....		
			10515		
			(Speedi-Sleeve) .....		
			99106		
			<b>1987-1986 435 Trans. w/Assy. No. 4295498 Thru 4295501:</b>		
			Seal .....		
			13557		
			(Speedi-Sleeve) .....		
			99138		
			<b>1987-1986 435 Trans. w/Assy. No. 4340268, 269:</b>		
			Seal .....		
			10515		
			(Speedi-Sleeve) .....		
			99106		
			<b>1987-1974 4 Spd. A833 Trans.:</b>		
			Seal .....		
			10515		
			(Speedi-Sleeve) .....		
			99106		
			(Continued)		

# Passenger cars, light & medium trucks

(Cont.) -- Dodge Truck 3/4 ton, D200, D250, P200, P250, W200, W250, R2500

MFG./YEAR	MODEL & LOCATION	PART NO.	MFG./YEAR	MODEL & LOCATION	PART NO.
<b>Transmission-Manual (Cont.)</b>			<b>Transmission-Manual (Cont.)</b>		
<b>Front (Cont.)</b>			<b>Rear</b>		
1985-1963	4 Spd. New Process 435 & 445 Trans.:		1995-1994	3500 Trans. w/4 W/D:	
	Seal .....	13557		Seal .....	14087
	(Speedi-Sleeve) .....	99138		(Speedi-Sleeve) .....	99146
	Bearing .....	HM88649/HM88610	1995-1994	3500 Trans. w/o 4 W/D:	
1981-1974	3 Spd. A390 Trans.:			Seal .....	16725
	Seal .....	11123		(Speedi-Sleeve) .....	99168
	(Speedi-Sleeve) .....	99112		(Speedi-Sleeve/Seal Kit) .....	480168
1981-1969	3 Spd. A230 Trans.:		1995-1994	4500 Trans. w/Ser. No. 52108001 & 52108194:	
	Seal .....	10515		Seal .....	16725
	(Speedi-Sleeve) .....	99106		(Speedi-Sleeve) .....	99168
	Bearing .....	307-NRJ		(Speedi-Sleeve/Seal Kit) .....	480168
1977-1969	3 Spd. A250 Trans.:		1995-1994	4500 Trans. w/Ser. No. 52108224, 52108130 & 52108196:	
	Seal .....	10515		Seal .....	22029
	(Speedi-Sleeve) .....	99106		1995-1994	4500 Trans. w/Ser. No. 52108225, 53006845, 52108129, 52108131, 52108195 & 52108197:
	Bearing .....	■ N6307-NJX		Seal .....	19211
1971-1969	A745 Trans.:			(Speedi-Sleeve) .....	99193
	Seal .....	10515	1993-1963	4 Spd. New Process 435 Trans.:	
	(Speedi-Sleeve) .....	99106		Seal .....	15620
1968-1961	3 Spd. A745 Trans.:			(Speedi-Sleeve) .....	99156
	Seal .....	12336		Bearing .....	308-NRJ
	(Speedi-Sleeve) .....	99125	1987-1974	4 Spd. A833 Trans.:	
1962-1961	4 Spd. New Process 433D Trans.:			Seal .....	16725
	Bearing .....	6211-J		(Speedi-Sleeve) .....	99168
1962-1959	3 Spd. Warner T87 Trans.:			(Speedi-Sleeve/Seal Kit) .....	480168
	Bearing .....	209-NRJ	1981-1974	A390 Tremac Trans.:	
1962-1948	4 Spd. New Process 420 Trans.:			Seal .....	16725
	Bearing .....	209-ZNRJ		(Speedi-Sleeve) .....	99168
1960-1959	3 Spd. Exc. Warner T85 & T87 Trans.:			(Speedi-Sleeve/Seal Kit) .....	480168
	Bearing .....	207-NRJ		Bearing .....	■ 6207-NRJ
1958-1957	3 Spd. Trans. w/F.C.:		1981-1969	3 Spd. A230 Trans.:	
	Bearing .....	209-NRJ		Seal (1.563" Shaft) .....	15620
1958-1957	3 Spd. Trans. w/Side Control:			(Speedi-Sleeve) (1.563" Shaft) .....	99156
	Bearing .....	207-NRJ		Seal (1.688" Shaft) .....	16725
1958-1957	3 Spd. Trans. w/Top Control:			(Speedi-Sleeve) (1.688" Shaft) .....	99168
	Bearing .....	207-ZNRJ		(Speedi-Sleeve/Seal Kit) .....	480168
1956-1946	3 Spd. Trans.:			Bearing .....	307-J
	Bearing .....	207-ZNRJ	1981-1969	4 Spd. New Process 445 Trans.:	
<b>Mainshaft Pilot</b>				Seal .....	15620
1993-1946	w/o A833 Trans.:			(Speedi-Sleeve) .....	99156
	Bearing .....	[14] Q15902		Bearing .....	BR7
1987-1974	4 Spd. A833 Trans.:			(Set Components) .....	M201047-S/M201011
	Bearing .....	[16] QBR23549	1977-1969	3 Spd. A250 Trans.:	
1981-1961	3 Spd. A230, A250 & A745 Trans.:			Seal (1.563" Shaft) .....	15620
	Bearing .....	[14] QBR23549		(Speedi-Sleeve) (1.563" Shaft) .....	99156
1960-1959	3 Spd. Exc. Warner T85 & T87 Trans.:			Seal (1.688" Shaft) .....	16725
	Bearing .....	[14] QBR23549		(Speedi-Sleeve) (1.688" Shaft) .....	99168
1958-1957	3 Spd. Trans. w/o F.C.:			(Speedi-Sleeve/Seal Kit) .....	480168
	Bearing .....	[14] QBR23549		Bearing .....	■ N6307-NJX
1956-1946	3 Spd. Trans.:		1971-1963	A745 Trans. From Ser. 1548001:	
	Bearing .....	[14] QBR23549		Seal .....	16725
<b>Output Shaft</b>				(Speedi-Sleeve) .....	99168
1995-1994	3500 Trans.:			(Speedi-Sleeve/Seal Kit) .....	480168
	Seal .....	14087		Bearing .....	307-J
	(Speedi-Sleeve) .....	99146	1968-1963	A745 Trans. Thru Ser. 1548000:	
	Bearing .....	6307-2RSJ		Seal .....	21210
1993-1989	Getrag 5 Spd. Trans. w/Cummins Diesel Eng.:			(Speedi-Sleeve) .....	99212
	Seal .....	19762		Bearing .....	307-J
	(Speedi-Sleeve) .....	99199			(Continued)
1993-1987	5 Spd. A535 & New Process 2500 Trans.:				
	Seal .....	19211			
	(Speedi-Sleeve) .....	99193			
	Bearing .....	207-NRJ			

## Passenger cars, light & medium trucks

### Dodge Truck 3/4 ton, D200, D250, P200, P250, W200, W250, R2500 -- (Cont.)

MFG./YEAR	MODEL & LOCATION	PART NO.	MFG./YEAR	MODEL & LOCATION	PART NO.
<b>Transmission-Manual (Cont.)</b>			<b>Alternator (Cont.)</b>		
<b>Rear (Cont.)</b>			1985-1982 114 Amp.:		
1962-1961	4 Spd. New Process 420 Trans.:			Bearing (Front)	6303-2ZJ
	Seal	21210	1981-1978	41, 63 & 65 Amp.:	
	(Speedi-Sleeve)	99212		Bearing (Front)	6203-2RSJ
	Bearing	307-J		Bearing (Rear)	MNJ471-S
1962-1959	3 Spd. Warner T87 Trans.:		1981-1974	100 Amp.:	
	Seal	21210		Bearing (Front)	6303-2ZJ
	(Speedi-Sleeve)	99212	1977-1974	w/o 100 Amp.:	
1961-1960	4 Spd. Trans.:			Bearing (Front)	6203-2RSJ
	Seal	21210		Bearing (Rear)	MNJ471-S
	(Speedi-Sleeve)	99212	1973-1963	All:	
	Bearing	6307-ZNRJ		Bearing (Front)	6203-2RSJ
1960-1959	3 Spd. Warner T85 Trans.:			Bearing (Rear)	MNJ471-S
	Seal	21210	<b>Drive Shaft</b>		
	(Speedi-Sleeve)	99212	1995-1994	R2500 w/9.25" Axle:	
	Bearing	307-J		Bearing & Support	HB88107-B
1959-1954	4 Spd. Trans.:		1995-1994	R2500 w/Dana Axle:	
	Seal	21210		Bearing & Support	HB1650-10
	(Speedi-Sleeve)	99212	1989-1959	D200 & D250 w/6 & 8 Cyl. Eng.:	
1958-1957	3 Spd. Trans. w/F.C.:			Bearing Only	BR88107
	Bearing	6307-NRJ		Bearing & Support	HB88107-B
1958-1957	3 Spd. Trans. w/Side Control:		1958-1946	All:	
	Seal	15620		Bearing Only	6208-J
	(Speedi-Sleeve)	99156	<b>Engine</b>		
	Bearing	207-J	<b>Crankshaft-Rear</b>		
1958-1957	3 Spd. Trans. w/Top Control:		1995-1994	8.0L Eng.:	
	Bearing	6306-NRJ		Seal	44000
1956-1954	3 Spd. Trans. w/Side Control:		1995-1990	5.9L Eng.:	
	Bearing	207-J		Seal Kit	285
<b>Remote Control</b>			1993-1988	3.9L Eng.:	
1981-1970	New Process 445 Trans.:			Seal Kit	212
	Seal	7440	1993-1963	5.2L Eng.:	
	(Speedi-Sleeve)	99076		Seal Kit	212
1963	New Process 436 Trans.:		1989-1970	5.9L Eng.:	
	Seal	7439		Seal Kit	214
	(Speedi-Sleeve)	99076	<b>Timing Cover</b>		
<b>Reverse Idler</b>			1995-1989	5.9L Diesel Eng.:	
1981-1961	3 Spd. Trans.:			Seal	24868
	Bearing	[22] C1086-Q		(Speedi-Sleeve)	99250
<b>Shift Shaft</b>			1995-1963	5.2L & 5.9L Eng.:	
1981-1961	3 Spd. Trans.:			Seal	21944
	Seal	6141		(Speedi-Sleeve)	99218
	(Speedi-Sleeve)	99062		(Speedi-Sleeve/Seal Kit)	480219
<b>Air Conditioning Clutch</b>			1995-1994	8.0L Eng.:	
1983-1969	All:			Seal	19762
	Bearing	5206-A2RS		(Speedi-Sleeve)	99199
<b>Air Conditioning Compressor</b>			1993-1988	3.9L Eng.:	
1977-1969	All:			Seal	21944
	Bearing	6205-J		(Speedi-Sleeve)	99218
				(Speedi-Sleeve/Seal Kit)	480219
<b>Alternator</b>			1987-1978	3.7L Eng.:	
1990-1988	w/o Nippondenso:			Seal	21944
	Bearing (Front)	6203-2RSJ		(Speedi-Sleeve)	99218
1987-1986	114 Amp.:			(Speedi-Sleeve/Seal Kit)	480219
	Bearing (Front)	6303-2ZJ	1978-1972	400 & 440 Eng.:	
1987-1982	60 Amp.:			Seal	21944
	Bearing (Front)	6203-2RSJ		(Speedi-Sleeve)	99218
	Bearing (Rear)	MNJ471-S		(Speedi-Sleeve/Seal Kit)	480219
1985-1982	41 & 53 Amp.:		1977-1961	3.7L Eng.:	
	Bearing (Front)	6203-2RSJ		Seal	22415
	Bearing (Rear)	MNJ471-S		(Speedi-Sleeve)	99226

(Continued)

# Passenger cars, light & medium trucks

## (Cont.) -- Dodge Truck 3/4 ton, D200, D250, P200, P250, W200, W250, R2500

MFG./YEAR	MODEL & LOCATION	PART NO.	MFG./YEAR	MODEL & LOCATION	PART NO.
<b>Engine (Cont.)</b>			<b>Steering-Power (Cont.)</b>		
<b>Timing Cover (Cont.)</b>			<b>Pump Shaft</b>		
<b>1971-1963 383 Eng.:</b>			<b>1992-1969 All:</b>		
	Seal .....	21944		Seal .....	7475
	(Speedi-Sleeve) .....	99218	<b>1968-1961 All:</b>		
	(Speedi-Sleeve/Seal Kit) .....	480219		Seal .....	8019
<b>1962-1948 6 Cyl. Eng.:</b>			<b>1960-1959 6 Cyl. Eng.:</b>		
	Seal .....	21820		Seal .....	7440
	(Speedi-Sleeve) .....	99218	<b>1960-1959 8 Cyl. Eng.:</b>		
<b>1953 6 Cyl. Eng. Early Models:</b>				Seal .....	6729
	Seal .....	21820	<b>1958 All:</b>		
	(Speedi-Sleeve) .....	99218		Seal .....	6767
<b>1953 6 Cyl. Eng. Late Models:</b>			<b>1957 All:</b>		
	Seal .....	21814		Seal .....	5046
	(Speedi-Sleeve) .....	99218	<b>Worm Shaft</b>		
<b>Generator</b>			<b>1986-1982 Exc. D Series:</b>		
<b>Front</b>				Seal .....	6139
<b>1960-1946 All:</b>			<b>Steering-Standard</b>		
	Bearing .....	6203-J	<b>Pitman Shaft</b>		
<b>Rear</b>			<b>1988-1969 All:</b>		
<b>1960-1957 H.D.:</b>				Seal .....	12350
	Bearing .....	6204-J	<b>1968-1961 Exc. F.C.:</b>		
<b>1960-1946 w/o H.D.:</b>				Seal .....	11055
	Bearing .....	6203-J	<b>1962-1961 F.C.:</b>		
				Seal .....	12350
<b>Power Takeoff</b>			<b>1960-1954 All:</b>		
<b>1956-1948 Winch Worm:</b>				Seal .....	12336
	Seal .....	11138	<b>1953-1948 All:</b>		
	(Speedi-Sleeve) .....	99122		Seal .....	11065
<b>Steering-Power</b>			<b>Worm Shaft</b>		
<b>Pitman Shaft</b>			<b>1988-1963 Saginaw:</b>		
<b>1986-1969 All:</b>				Seal .....	7481
	Seal (Inner) .....	12371	<b>1983-1969 Chrysler:</b>		
	Seal (Outer) .....	12355		Seal .....	7412
	Seal Kit .....	12392			
<b>1969-1961 w/o F.C.:</b>					
	Seal .....	11055			
<b>1969-1961 F.C.:</b>					
	Seal .....	12350			

## Dodge Truck 1 ton, D300, D350, M300, M350, P300, P350, W300, W350, R3500

<b>Wheel Front (2 W/D)</b>			<b>Wheel Front (2 W/D) (Cont.)</b>		
<b>1995-1994 Single Rr. Whls.:</b>			<b>1983-1982 3300 lb. &amp; 3600 lb. Axles:</b>		
	Seal .....	21756		Seal .....	22835
	Bearing (Inner) .....	BR35		Bearing (Inner) .....	BR35
	(Set Components) .....	LM501349/LM501310		(Set Components) .....	LM501349/LM501310
	Bearing (Outer) .....	BR15101/BR15245		Bearing (Outer) .....	BR15101/BR15245
<b>1995-1994 Dual Rr. Whl.:</b>			<b>1981-1979 M.H.C.:</b>		
	Hub Assembly .....	BR930451		Seal .....	24459
<b>1993-1984 5 Stud Hub:</b>				Bearing (Inner) .....	BR25590/BR25520
	Seal .....	20425		Bearing (Outer) .....	BR14116/BR14276
	Bearing (Inner) .....	BR11	<b>1981-1978 Exc. M.H.C.:</b>		
	(Set Components) .....	JL69349/JL69310		Seal .....	22835
	Bearing (Outer) .....	BR16		Bearing (Inner) .....	BR35
	(Set Components) .....	LM12749/LM12711		(Set Components) .....	LM501349/LM501310
<b>1993-1984 8 Stud Hub:</b>				Bearing (Outer) .....	BR15101/BR15245
	Seal .....	22835	(Continued)		
	Bearing (Inner) .....	BR35			
	(Set Components) .....	LM501349/LM501310			
	Bearing (Outer) .....	BR15101/BR15245			

## Passenger cars, light & medium trucks

### Dodge Truck 1 ton, D300, D350, M300, M350, P300, P350, W300, W350, R3500 -- (Cont.)

MFG./YEAR	MODEL & LOCATION	PART NO.	MFG./YEAR	MODEL & LOCATION	PART NO.
<b>Wheel Front (2 W/D) (Cont.)</b>			<b>Wheel Front (4 W/D) (Cont.)</b>		
1978-1969	M.H.C.:		1962-1954	3750 lb. 4000 lb. & 7000 lb. Axles:	
	Seal .....	22835		Seal .....	22835
	Bearing (Inner) .....	BR37		Bearing (Inner) .....	BR37
	(Set Components) .....	LM603049/LM603011		(Set Components) .....	LM603049/LM603011
	Bearing (Outer) .....	BR15101/BR15245		Bearing (Outer) .....	BR15101/BR15245
1977-1974	w/o H.D. Axle:		1958-1957	All:	
	Seal .....	19500		Bearing (Inner) .....	SET407
	Bearing (Inner) .....	BR17		(Set Components) .....	BR28682/BR28622
	(Set Components) .....	L68149/L68111		Bearing (Outer) .....	BR2984/BR2924
	Bearing (Outer) .....	BR16	1953-1946	All:	
	(Set Components) .....	LM12749/LM12711		Seal .....	17415
1977-1974	H.D. Axle:		<b>Axle Shaft</b>		
	Seal .....	22835	1995-1994	Spicer 60 Axle:	
	Bearing .....	[2] BR15101/BR15245		Seal (L.H.) .....	13165
1973-1963	Exc. M.H.C.:			Seal (R.H.) .....	16015
	Seal .....	22835		(Superseded by:) .....	16415
	Bearing (Inner) .....	BR35	1993-1990	Spicer 60 Axle w/4500 lb. Capacity:	
	(Set Components) .....	LM501349/LM501310		Seal .....	15194
	Bearing (Outer) .....	BR15101/BR15245		(V-Ring) .....	400659
1957-1954	All:		1989-1988	Spicer 60 Axle:	
	Bearing (Inner) .....	14138-A/BR14276		Seal .....	18896
	Bearing (Outer) .....	BR12580/BR12520	1987-1970	Spicer 60 Axle:	
1953-1946	All:			Seal .....	18891
	Seal .....	17415	1985-1982	Spicer 44 Axle:	
<b>Wheel Front (4 W/D)</b>				Seal .....	13165
1995-1994	All:		1969-1961	Spicer 60 Axle:	
	Hub Assembly .....	BR930451		Seal .....	18888
1993-1985	Spicer 44 Axle w/3500 lb. Capacity:		<b>Spindle Hub</b>		
	Seal .....	24917	1992-1990	Spicer 60 Axle:	
	Bearing (Inner) .....	LM104949/JLM104910		Seal .....	711822
	Bearing (Outer) .....	BR35		(V-Ring) .....	400659
	(Set Components) .....	LM501349/LM501310		Bearing .....	B2414
1993-1974	Spicer 60 Axle w/4500 lb. Capacity:			Seal & Bearing Kit .....	BK3
	Seal .....	27452	1989-1986	Spicer 60 Axle:	
	Bearing (Inner) .....	387-A/382-A		Seal .....	711822
	Bearing (Outer) .....	BR38		Bearing .....	B2414
	(Set Components) .....	LM104949/LM104911	1985	Spicer 44 Axle:	
1984-1982	Spicer 44 Axle:			Seal (Inner) .....	22311
	Seal .....	24898		Seal (Outer) .....	711818
	Bearing (Inner) .....	LM104949/JLM104910		Bearing .....	B2110
	Bearing (Outer) .....	BR35		Seal & Bearing Kit .....	BK1
	(Set Components) .....	LM501349/LM501310	1985-1974	Spicer 60 Axle:	
1973-1969	Spicer 60 Axle w/12" X 3" Brks.:			Seal .....	15194
	Seal .....	28275		Bearing .....	B2414
	Bearing (Inner) .....	387-A/382-A	1984-1973	Spicer 44 Axle:	
	Bearing (Outer) .....	BR37		Seal .....	24898
	(Set Components) .....	LM603049/LM603011		Bearing .....	B2110
1968-1963	5000 lb. Axle:		<b>Steering Knuckle</b>		
	Seal .....	24459	1974-1959	All:	
	Bearing (Inner) .....	BR25590/BR25520		Bearing .....	BR23100/BR23256
	Bearing (Outer) .....	BR14116/BR14276	1958-1957	All:	
1968-1958	8000 lb. Axle:			Bearing .....	BR23100/BR23256
	Seal .....	28275	<b>Wheel Rear</b>		
	Bearing (Inner) .....	BR469/453-X	1995-1994	13" X 3.5" Brks.:	
	Bearing (Outer) .....	BR28580/BR28521		Seal .....	30033
1962-1954	Std. & 2800 lb. Axles:			Bearing (Inner) .....	SET416
	Seal .....	17836		(Set Components) .....	BR45291/BR45220
	Bearing (Inner) .....	BR5		Bearing (Outer) .....	BR38
	(Set Components) .....	LM48548/LM48510		(Set Components) .....	LM104949/LM104911
	Bearing (Outer) .....	BR3			(Continued)
	(Set Components) .....	M12649/M12610			

# Passenger cars, light & medium trucks

(Cont.) -- Dodge Truck 1 ton, D300, D350, M300, M350, P300, P350, W300, W350, R3500

MFG./YEAR	MODEL & LOCATION	PART NO.	MFG./YEAR	MODEL & LOCATION	PART NO.
<b>Wheel Rear (Cont.)</b>			<b>Pinion (Cont.)</b>		
1993-1978	Spicer 60 & 70 Axles w/12" X 3" Brks. w/o 9000 lb. G.V.W.:		1993-1978	Spicer 60 Axle:	
	Seal .....	30033		Seal .....	18891
	Bearing (Inner) .....	SET416		(Speedi-Sleeve) .....	99187
	(Set Components) .....	BR45291/BR45220		Bearing (Front) .....	HM88542/HM88510
	Bearing (Outer) .....	BR38		Bearing (Rear) .....	HM803146/HM803110
	(Set Components) .....	LM104949/LM104911	1986-1982	Spicer 44 Axle:	
1993-1978	Spicer 60 & 70 Axles w/12" X 3" Brks. & 9000 lb. G.V.W.:			Seal .....	15788
	Seal .....	28754		(Speedi-Sleeve) .....	99155
	Bearing (Inner) .....	SET407		Bearing (Front) .....	BR31594/BR31520
	(Set Components) .....	BR28682/BR28622		Bearing (Rear) .....	BR02872/BR02820
	Bearing (Outer) .....	BR38	1977-1972	Spicer 60 Axle:	
	(Set Components) .....	LM104949/LM104911		Seal .....	18891
1993-1977	Spicer 60 & 70 Axles w/12" X 2.5" Brks.:			(Speedi-Sleeve) .....	99187
	Seal .....	24917		Bearing (Front) .....	HM88542/HM88510
	Bearing .....	[2] BR38		Bearing (Rear) .....	HM807040/HM807010
	(Set Components) .....	LM104949/LM104911	1971-1960	All:	
1977-1972	Spicer 60 Axle w/Dual Rr. Whls.:			Seal .....	18888
	Seal .....	30033		(Speedi-Sleeve) .....	99187
	Bearing (Inner) .....	SET416		Bearing (Front) .....	HM88542/HM88510
	(Set Components) .....	BR45291/BR45220		Bearing (Rear) .....	HM807040/HM807010
	Bearing (Outer) .....	BR38	<b>Rear Axle</b>		
	(Set Components) .....	LM104949/LM104911	1995-1994	Spicer 80 Axle:	
1976-1969	Spicer 60 Axle w/Single Rr. Whls.:			Seal .....	25140
	Seal .....	26238		(Speedi-Sleeve) .....	99250
	Bearing (Inner) .....	370-A/362-A		Bearing (Front) .....	M802048/M802011
	Bearing (Outer) .....	359-S/354-A		Bearing (Rear) .....	HM807046/HM807010
1971-1969	8.75" Ring Gear:		1993-1988	Spicer 60 Axle:	
	Seal (Inner) .....	15460		Seal .....	18896
	Seal (Outer) .....	19000		(Speedi-Sleeve) .....	99187
	Bearing .....	BR7		Bearing (Front) .....	HM88542/HM88510
	(Set Components) .....	M201047-S/M201011		Bearing (Rear) .....	HM803146/HM803110
1968-1961	All:		1993-1988	Spicer 70 & 71 Axles:	
	Seal .....	28116		Seal .....	18896
	Bearing (Inner) .....	SET407		(Speedi-Sleeve) .....	99187
	(Set Components) .....	BR28682/BR28622		Bearing (Front) .....	HM88542/HM88510
	Bearing (Outer) .....	BR28580/BR28521		Bearing (Rear) .....	HM803149/HM803110
<b>Axle Shaft</b>			1991-1986	9.25" Ring Gear:	
1995-1985	9.25" Ring Gear w/o H.D. Axle:			Seal .....	18708
	Seal .....	◇16044		(Speedi-Sleeve) .....	99187
	(Superseded by): .....	16404		Bearing (Front) .....	BR52
	Bearing .....	R1559-TV		(Set Components) .....	M88048/M88010
	(Axle Repair Brg. Assy.) .....	• R1559		Bearing (Rear) .....	M804049/M804010
1995-1985	9.25" Ring Gear w/H.D. Axle:		1987-1986	Spicer 70 & 71 Axles:	
	Seal .....	17100		Seal .....	18891
	Bearing .....	R1561-TV		(Speedi-Sleeve) .....	99187
	(Axle Repair Brg. Assy.) .....	• R1561-F		Bearing (Front) .....	HM88542/HM88510
				Bearing (Rear) .....	HM803149/HM803110
<b>Pinion</b>			1987-1974	Spicer 60 Axle:	
<b>Front Axle</b>				Seal .....	18891
1995-1994	Spicer 60 Axle w/4500 & 4850 lb. Capacities:			(Speedi-Sleeve) .....	99187
	Seal .....	18896		Bearing (Front) .....	HM88542/HM88510
	(Speedi-Sleeve) .....	99187		Bearing (Rear) .....	HM803146/HM803110
	Bearing (Front) .....	HM88542/HM88510	1985-1972	Spicer 70 Axle w/5380 & 7260 Yoke:	
	Bearing (Rear) .....	HM803146/HM803110		Seal .....	18891
				(Speedi-Sleeve) .....	99187
				Bearing (Front) .....	HM88542/HM88510
				Bearing (Rear) .....	HM807040/HM807010

(Continued)

**Dodge Truck 1 ton, D300, D350, M300, M350, P300, P350, W300, W350, R3500 -- (Cont.)**

MFG./YEAR	MODEL & LOCATION	PART NO.	MFG./YEAR	MODEL & LOCATION	PART NO.
<b>Pinion (Cont.)</b>			<b>Differential (Cont.)</b>		
<b>Rear Axle (Cont.)</b>			<b>Rear Axle (Cont.)</b>		
1983-1972	Spicer 70 Axle w/7290 Yoke:		1991-1986	9.25" Ring Gear:	
	Seal	18888		Bearing	[2] JLM704649/JLM704610
	(Speedi-Sleeve)	99187	1991-1961	w/o 9.25" Ring Gear:	
	Bearing (Front)	HM88542/HM88510		Bearing	[2] 387-A/382-S
	Bearing (Rear)	HM807040/HM807010	1962-1958	4 W/D:	
1971-1969	8.75" Ring Gear:			Bearing	[2] 387-A/382-S
	Seal	18888	1960-1957	2 W/D:	
	(Speedi-Sleeve)	99187		Bearing	[2] BR28580/BR28521
	Bearing (Front)	HM88542/HM88510	1956-1948	D Series:	
	Bearing (Rear)	HM807040/HM807010		Bearing	[2] BR28580/BR28521
1968-1963	All:		<b>Clutch</b>		
	Seal	18891	<b>Pilot</b>		
	(Speedi-Sleeve)	99187	1995-1994	5.2L & 5.9L Engs. Exc. Diesel:	
	Bearing (Front)	HM88542/HM88510		Bearing	B128
	Bearing (Rear)	HM807040/HM807010	1995-1994	5.9L Diesel Eng.:	
1962-1958	4 W/D:			Bearing	SCE1211P
	Seal	18888	1995-1994	8.0L Eng.:	
	(Speedi-Sleeve)	99187		Bearing	SCE1211P
	Bearing (Front)	HM88542/HM88510	1993-1948	All:	
	Bearing (Rear)	HM807040/HM807010		Bearing	B286
1960-1957	w/o 4 W/D:		<b>Release</b>		
	Seal	18924	1995-1992	5.2L, 5.7L & 5.9L Gas Engs.:	
	(Speedi-Sleeve)	99187		Bearing Assembly	N4093
	Bearing (Front)	BR3878/BR3820	1995-1989	5.9L Diesel & 8.0L Gas Engs.:	
1956-1946	w/o 4 W/D:			Bearing Assembly	N4070
	Seal	18924	1991-1988	318 (5.2L) & 360 (5.9L) Engs Exc. Diesel:	
	(Speedi-Sleeve)	99187		Bearing Assembly	N4054
<b>Differential</b>			1987-1969	All:	
<b>Kit</b>				Bearing Only	N1054
1995-1994	Dana 80 Axle:			Bearing Assembly	N1463
	Standard Seal and Bearing Kit Rear	SDK337		(Self-Aligning)	N1463-SA
1995-1975	Dana 60 Axle:		1968-1959	All:	
	Standard Seal and Bearing Kit Front	SDK331		Bearing Only	N1087
	Standard Seal and Bearing Kit Rear	SDK331		Bearing Assembly	N1459
1995-1975	9.25" Ring Gear:		1958-1946	Exc. D Series:	
	Standard Seal and Bearing Kit Rear	SDK304		Bearing Only	N1087
	Master Seal and Bearing Kit Rear	SDK304-MK	1956-1948	D Series:	
1984-1975	Dana 70 Axle:			Bearing Only	N1087
	Standard Seal and Bearing Kit Rear	SDK332	<b>Transfer Case</b>		
1968-1960	Dana 60 Axle:		<b>Kit</b>		
	Standard Seal and Bearing Kit Rear	SDK331	1995	241:	
1968-1960	Dana 70 Axle:			Transfer Case Kit	STCK241-BB
	Standard Seal and Bearing Kit Rear	SDK332	1993-1988	205 w/ 6210N Input Bearing:	
	Standard Seal and Bearing Kit Rear	SDK332		Transfer Case Kit	STCK205-D
<b>Front Axle</b>			1987-1980	205 w/ 6307N Input Bearing:	
1995-1963	Spicer 60 Axle:			Transfer Case Kit	STCK205-G
	Bearing	[2] 387-A/382-S	1974-1969	205 w/ 6307N Input Bearing:	
1986-1982	Spicer 44 Axle:			Transfer Case Kit	STCK205-G
	Bearing	[2] BR25590/BR25523	<b>Adapter Housing</b>		
1968-1963	Spicer 44 Axle:		1993-1990	New Process 205 w/Diesel Eng. & Man. Trans.:	
	Bearing	[2] BR33891/BR33821		Seal	19255
1962-1957	All:			(Speedi-Sleeve)	99193
	Bearing	[2] BR59187/BR59412	1993-1987	New Process 205 w/o Diesel Eng. w/Man. Trans.:	
<b>Rear Axle</b>				Seal	13557
1995-1994	Spicer 80 Axle:			(Speedi-Sleeve)	99138
	Bearing	[2] BR469/453-X	(Continued)		
1993-1988	Spicer 60, 70 & 71 Axles:				
	Bearing	[2] 387-A/382-S			



# Passenger cars, light & medium trucks

(Cont.) -- Dodge Truck 1 ton, D300, D350, M300, M350, P300, P350, W300, W350, R3500

MFG./YEAR	MODEL & LOCATION	PART NO.	MFG./YEAR	MODEL & LOCATION	PART NO.
<b>Transfer Case (Cont.)</b>			<b>Transfer Case (Cont.)</b>		
<b>Front Output Shaft</b>			<b>Input Shaft (Cont.)</b>		
1995-1994	New Process 231:		1987-1982	New Process 208:	
	Seal .....	15560		Seal .....	19255
	Bearing .....	6207-J		(Speedi-Sleeve) .....	99193
1995-1994	New Process 241:			Bearing .....	[2] B5020
	Seal .....	18771		Bearing (Thrust) .....	AXK5070
	(Speedi-Sleeve) .....	99187	1981-1975	New Process 203:	
	Bearing (Front) .....	■ 6207-VSP55		Seal .....	19255
	Bearing (Rear) .....	J2416		(Speedi-Sleeve) .....	99193
1993-1988	New Process 205:			Bearing .....	[2] B5020
	Seal .....	18752	1974-1954	All:	
	Bearing (Front) .....	6307-NRJ		Seal .....	21213
	Bearing (Rear) .....	M28161		(Speedi-Sleeve) .....	99212
1990	New Process 241:			Bearing .....	307-NRJ
	Seal .....	19255	<b>Low Gear Rollers</b>		
	(Speedi-Sleeve) .....	99193	1990-1980	New Process 205:	
	Bearing (Front) .....	[2] B5020		Bearing .....	[128] QBR23549
1989-1982	New Process 208:		1976-1969	New Process 205:	
	Seal .....	18662		Bearing .....	[128] QBR23549
	(Speedi-Sleeve) .....	99187	<b>Mainshaft</b>		
	Bearing (Front) .....	B2816	1995-1994	New Process 231:	
	Bearing (Rear) .....	J2416		Seal .....	22306
	Bearing (Thrust) .....	NTA2840		(Speedi-Sleeve) .....	99225
1987-1986	New Process 205:			Bearing .....	[2] B5020
	Seal .....	18752	<b>Mainshaft Pilot</b>		
1979-1978	New Process 203:		1986-1982	New Process 208:	
	Seal .....	17720		Bearing .....	B2012
	(Speedi-Sleeve) .....	99174		Bearing (Thrust) .....	TC2435
	Bearing (Rear) .....	M28161	<b>Mainshaft Rear</b>		
1977-1975	New Process 203:		1995-1994	New Process 231:	
	Seal .....	17716		Bearing .....	6207-J
	(Speedi-Sleeve) .....	99174	<b>Mounting Adapter</b>		
1974-1969	New Process 205:		1988	New Process 241:	
	Seal .....	21213		Seal .....	19255
	(Speedi-Sleeve) .....	99212		(Speedi-Sleeve) .....	99193
	Bearing (Rear) .....	M28161	1988-1980	New Process 205:	
1968-1963	All:			Seal .....	13557
	Seal .....	21213		(Speedi-Sleeve) .....	99138
	(Speedi-Sleeve) .....	99212	<b>Oil Pump</b>		
1962-1954	New Process 205 w/Flg.:		1995-1982	New Process 208 & 241:	
	Seal .....	21213		Seal .....	22306
	(Speedi-Sleeve) .....	99212		(Speedi-Sleeve) .....	99225
<b>Idler Shaft</b>				Bearing .....	■ 6207-VSP55
1990-1980	New Process 205:		<b>Rear</b>		
	Bearing .....	[2] BR2793/BR2720	1995-1994	New Process 231 w/Ser. No. 52098023 & 52098024 Trans.:	
1976-1948	New Process 205:			Seal (Outer) .....	15546
	Bearing .....	[2] BR2793/BR2720		(Speedi-Sleeve) (Outer) .....	99156
<b>Input Shaft</b>			1995-1994	New Process 231 w/Ser. No. 52098314 Trans.:	
1995-1994	New Process 231 & 241:			Seal (Outer) .....	18999
	Seal .....	19255	<b>Rear Output Shaft</b>		
	(Speedi-Sleeve) .....	99193	1995-1994	New Process 241 w/Std. Duty Man. Trans.:	
	Bearing .....	5210-ANRX		Seal .....	18999
1993-1991	New Process 205 w/Diesel Eng.:		1995-1994	New Process 241 w/Auto. Trans.:	
	Bearing .....	210-NRJ		Seal .....	18758
1993-1982	New Process 205 w/Gas Eng.:		1995-1994	New Process 241 w/H.D. Man. Trans.:	
	Seal .....	21211		Seal .....	22029
	(Speedi-Sleeve) .....	99212			(Continued)
	Bearing .....	[2] 307-NRJ			

**Dodge Truck 1 ton, D300, D350, M300, M350, P300, P350, W300, W350, R3500 -- (Cont.)**

MFG./YEAR	MODEL & LOCATION	PART NO.	MFG./YEAR	MODEL & LOCATION	PART NO.
<b>Transfer Case (Cont.)</b>			<b>Transmission-Automatic (Cont.)</b>		
<b>Rear Output Shaft (Cont.)</b>			<b>Output Shaft</b>		
<b>1993-1980 New Process 205:</b>			<b>1995-1994 All:</b>		
Seal		21213	Bearing (Front)		6014-NRJ
(Speedi-Sleeve)		99212	Bearing (Rear)		■ 6207-VSP55
Bearing		6307-NRJ	<b>Rear</b>		
<b>1990-1988 New Process 241:</b>			<b>1995-1994 w/o 4 W/D:</b>		
Seal		18662	Seal		16725
(Speedi-Sleeve)		99187	(Use)		+16567
<b>1987-1986 New Process 208:</b>			Bearing		■ 6207-VSP55
Seal		18771	<b>1995-1994 4 W/D:</b>		
(Speedi-Sleeve)		99187	Seal		19211
Bearing		207-NRJ	(Speedi-Sleeve)		99193
<b>1985-1982 New Process 208:</b>			Bearing		■ 6207-VSP55
Seal		18662	<b>1993-1990 A518 4 Spd. Trans.:</b>		
(Speedi-Sleeve)		99187	Seal		16725
Bearing		207-NRJ	(Speedi-Sleeve)		99168
<b>1979-1975 New Process 203:</b>			(Speedi-Sleeve/Seal Kit)		480168
Seal		21061	<b>1993-1988 A500 4 Spd. Trans.:</b>		
(Speedi-Sleeve)		99212	Seal		16725
<b>1974-1963 New Process 205:</b>			(Speedi-Sleeve)		99168
Seal		21213	(Speedi-Sleeve/Seal Kit)		480168
(Speedi-Sleeve)		99212	<b>1993-1978 A998 &amp; A999 3 Spd. Trans.:</b>		
<b>Shift Shaft</b>			Seal		15546
<b>1990-1988 New Process 205:</b>			(Speedi-Sleeve)		99156
Seal		7464	Bearing		6206-VSP97
(Speedi-Sleeve)		99076	<b>1989-1963 A727 3 Spd. Trans.:</b>		
<b>1986-1963 All:</b>			Seal (1.563" Shaft)		15729
Seal		7464	Seal (1.688" Shaft)		16725
(Speedi-Sleeve)		99076	(Speedi-Sleeve) (1.688" Shaft)		99168
<b>1962-1957 New Process 205:</b>			(Speedi-Sleeve/Seal Kit)		480168
Seal		7440	Bearing (1.378" Shaft)		■ 6207-VSP55
(Speedi-Sleeve)		99076	<b>1987-1978 A904 Trans.:</b>		
<b>Side Gear</b>			Seal		15546
<b>1986-1974 New Process:</b>			(Speedi-Sleeve)		99156
Bearing		[123] C1086-Q	Bearing		6206-VSP97
<b>Transmission-Automatic</b>			<b>1962-1959 All:</b>		
<b>Front Pump</b>			Seal		13535
<b>1995-1994 46RE, 46RH, 47RE, 47RH &amp; 48RE Trans.:</b>			(Speedi-Sleeve)		99138
Seal		18508	<b>1958-1955 PowerFlite Trans.:</b>		
<b>1995-1994 42RE &amp; 42RH Trans.:</b>			Bearing		6206-J
Seal		14939	<b>1958-1946 All:</b>		
(Speedi-Sleeve)		99149	Seal		15620
<b>1993-1991 A500, A998 &amp; A999 Trans.:</b>			(Speedi-Sleeve)		99156
Seal		14939	<b>Shift Shaft</b>		
(Speedi-Sleeve)		99149	<b>1991-1969 A727 Trans.:</b>		
<b>1993-1962 A518, A727 &amp; A904 Trans.:</b>			Seal		8017
Seal		18508	<b>Transmission</b>		
<b>1990-1988 A500 4 Spd. Trans.:</b>			<b>Kit</b>		
Seal		14939	<b>1995-1994 RWD, NV4500 Trans Mfr Code, 5 Speed; Gas or Diesel:</b>		
(Speedi-Sleeve)		99149	Light Duty Kit		STK4500-D
<b>1990-1982 A998 &amp; A999 Trans.:</b>			<b>1992 RWD, NV4500 Trans Mfr Code, 5 Speed; Gas or Diesel:</b>		
Seal		15022	Light Duty Kit		STK4500-D
(Speedi-Sleeve)		99149	<b>1965-1964 RWD, NP435 Trans Mfr Code, 4 Speed; Alum. Shift Cover (Ball I/S Brg.):</b>		
<b>1961-1957 LoadFlite Trans.:</b>			Light Duty Kit		STK127-G
Seal		21103			(Continued)
(Speedi-Sleeve)		99212			
<b>1957-1954 PowerFlite Trans.:</b>					
Seal		21098			
(Speedi-Sleeve)		99212			

# Passenger cars, light & medium trucks

(Cont.) -- Dodge Truck 1 ton, D300, D350, M300, M350, P300, P350, W300, W350, R3500

MFG./YEAR	MODEL & LOCATION	PART NO.	MFG./YEAR	MODEL & LOCATION	PART NO.
<b>Transmission (Cont.)</b>			<b>Transmission-Manual (Cont.)</b>		
<b>Kit (Cont.)</b>			<b>Front (Cont.)</b>		
1965-1964	4WD, NP435 Trans Mfr Code, 4 Speed; Alum. Shift Cover (Ball I/S Brg.):		1993-1988	New Process 2500, 435 & 535 Trans.:	
	Light Duty Kit	STK127-G	Seal		10515
<b>Transmission-Manual</b>			(Speedi-Sleeve)		99106
<b>Countershaft</b>			1987-1986	New Process 435 Trans. w/Assy. No. 4295498, 501:	
1995-1994	4500 Trans.:		Seal		13557
Bearing (Front)		BR50	(Speedi-Sleeve)		99138
(Set Components)		LM102949/LM102910	1987-1986	New Process 435 Trans. w/Assy. No. 4340268, 269:	
Bearing (Rear)		BR35	Seal		10515
(Set Components)		LM501349/LM501310	(Speedi-Sleeve)		99106
1993-1988	New Process 2500 & 535 Trans.:		1985-1963	4 Spd. New Process 435 & 445 Trans.:	
Bearing (Front)		BR6	Seal		13557
(Set Components)		LM67048/LM67010	(Speedi-Sleeve)		99138
Bearing (Rear)		BR2	Bearing		HM88649/HM88610
(Set Components)		LM11949/LM11910	1981-1974	3 Spd. A230 & A250 Trans.:	
1993-1982	4 Spd. New Process 435 Trans.:		Seal		10515
Bearing (Front)		M24161-X1	(Speedi-Sleeve)		99106
Bearing (Rear)		B3216	Bearing		307-NRJ
Bearing (Thrust)		NTA2031	1981-1974	3 Spd. A390 Trans.:	
1981-1969	4 Spd. New Process 435 Trans.:		Seal		10515
Bearing (Rear Thrust)		NTA2031	(Speedi-Sleeve)		99106
1981-1964	4 Spd. New Process 435 & 445 Trans.:		1968-1959	3 Spd. Warner T87 Trans.:	
Bearing (Front)		M24161-X1	Bearing		209-NRJ
Bearing (Rear)		B3216	1968-1948	4 Spd. New Process 420 Trans.:	
1977-1972	3 Spd. A250 Trans.:		Bearing		209-ZNRJ
Bearing		[88] C407-Q	1960-1955	0/D Trans.:	
1968-1959	3 Spd. Warner T87 Trans.:		Bearing		207-J
Bearing		J32-2080	1958-1957	3 Spd. Trans. w/F.C.:	
1968-1957	4 Spd. New Process 420 Trans.:		Bearing		209-NRJ
Bearing (Front)		207-ZNRJ	1958-1957	3 Spd. Trans. w/Side Control:	
Bearing (Rear)		M28161	Bearing		207-NRJ
1960-1959	3 Spd. Exc. Warner T85 & T87 Trans.:		1958-1957	3 Spd. Trans. w/Top Control:	
Bearing		[44] C1086-Q	Bearing		207-ZNRJ
1958-1957	3 Spd. Trans. w/F.C.:		1956-1946	3 Spd. Trans.:	
Bearing		[44] J32-2080	Bearing		207-ZNRJ
1958-1954	3 Spd. Trans. w/Side Control:		<b>Mainshaft Pilot</b>		
Bearing		[44] C1086-Q	1993-1957	4 Spd. Trans.:	
1958-1946	3 Spd. Trans. w/Top Control:		Bearing		[14] Q15902
Bearing		[44] C407-Q	1981-1969	3 Spd. A230 & A250 Trans.:	
<b>Countershaft Front</b>			Bearing		[14] QBR23549
1990-1988	New Process 2500 & 535 Trans.:		1971-1961	3 Spd. A230 & A745 Trans.:	
Bearing		LM67048/LM67010BCE	Bearing		[15] QBR23549
<b>Countershaft Rear</b>			1960-1959	3 Spd. Exc. Warner T85 & T87 Trans.:	
1990-1988	New Process 435 Trans.:		Bearing		[14] QBR23549
Bearing		B3216	1958-1957	3 Spd. Trans. Exc. F.C.:	
Bearing (Thrust)		NTA2031	Bearing		[14] QBR23549
1990-1988	New Process 2500 & 535 Trans.:		1956-1946	3 Spd. Trans.:	
Bearing		BR2	Bearing		[14] QBR23549
(Set Components)		LM11949/LM11910	<b>Output Shaft</b>		
<b>Front</b>			1995-1994	3500 Trans. w/4 W/D:	
1995-1994	3500 Trans.:		Seal		14087
Seal		13888	(Speedi-Sleeve)		99146
(Speedi-Sleeve)		99139	Bearing		6307-2RSJ
Bearing		6307-2RSNRX	1995-1994	3500 Trans. w/o 4 W/D:	
1995-1994	4500 Trans.:		Seal		16725
Seal		13557	(Speedi-Sleeve)		99168
(Speedi-Sleeve)		99138	(Speedi-Sleeve/Seal Kit)		480168
			Bearing		6307-2RSJ
					(Continued)

**Dodge Truck 1 ton, D300, D350, M300, M350, P300, P350, W300, W350, R3500 -- (Cont.)**

MFG./YEAR	MODEL & LOCATION	PART NO.	MFG./YEAR	MODEL & LOCATION	PART NO.
<b>Transmission-Manual (Cont.)</b>			<b>Transmission-Manual (Cont.)</b>		
<b>Output Shaft (Cont.)</b>			<b>Rear (Cont.)</b>		
1993-1987	New Process 2500 & 535 Trans.:		1958-1957	3 Spd. Trans. w/F.C.:	
	Seal .....	19211		Bearing .....	6307-NRJ
	(Speedi-Sleeve) .....	99193	1958-1955	O/D Trans.:	
	Bearing .....	207-NRJ		Seal .....	15620
<b>Rear</b>				(Speedi-Sleeve) .....	99156
1995-1994	4500 Trans. w/Ser. No. 52108001, 52108128 & 52108194:			Bearing .....	6206-ZJ
	Seal .....	16725	1958-1954	3 Spd. Trans. w/Top Control:	
	(Speedi-Sleeve) .....	99168		Bearing .....	6306-NRJ
	(Speedi-Sleeve/Seal Kit) .....	480168	1953-1946	3 Spd. Trans.:	
1995-1994	4500 Trans. w/Ser. No. 52108224, 52108130 & 52108196:			Seal .....	15761
	Seal .....	22029		(Speedi-Sleeve) .....	99156
1995-1994	4500 Trans. w/Ser. No. 52108225, 53006845, 52108129, 52108131, 52108195 & 52108197:		<b>Reverse Idler</b>		
	Seal .....	19211	1993-1963	4 Spd. Trans.:	
	(Speedi-Sleeve) .....	99193		Bearing .....	[104] C407-Q
1993-1969	4 Spd. New Process 435 & 445 Trans.:		1981-1961	3 Spd. Trans.:	
	Seal .....	15620		Bearing .....	[22] C1086-Q
	(Speedi-Sleeve) .....	99156	<b>Shift Shaft</b>		
	Bearing .....	308-NRJ	1977-1961	3 Spd. Trans.:	
1990-1989	Getrag 5 Spd. Trans.:			Seal .....	6141
	Seal .....	19762		(Speedi-Sleeve) .....	99062
	(Speedi-Sleeve) .....	99199	<b>Air Conditioning Clutch</b>		
1981-1974	3 Spd. A390 Trans.:		1983-1969	All:	
	Seal .....	16725		Bearing .....	5206-A2RS
	(Speedi-Sleeve) .....	99168	<b>Air Conditioning Compressor</b>		
	(Speedi-Sleeve/Seal Kit) .....	480168	1977-1969	All:	
	Bearing .....	6207-NRJ		Bearing .....	6205-J
1977-1972	3 Spd. A230 & A250 Trans.:		<b>Alternator</b>		
	Seal (1.563" Shaft) .....	15620	1990-1988	w/o Nippondenso:	
	(Speedi-Sleeve) (1.563" Shaft) .....	99156		Bearing (Front) .....	6203-2RSJ
	Seal (1.688" Shaft) .....	16725	1990-1988	Nippondenso:	
	(Speedi-Sleeve) (1.688" Shaft) .....	99168		Bearing (Front) .....	6203-2RSJ
	(Speedi-Sleeve/Seal Kit) .....	480168	1987-1986	78 Amp.:	
	Bearing .....	307-J		Bearing (Front) .....	6203-2RSJ
1968-1963	4 Spd. New Process 435 Trans.:			Bearing (Rear) .....	MNJ471-S
	Seal .....	21103	1987-1986	114 Amp.:	
	(Speedi-Sleeve) .....	99212		Bearing (Front) .....	6303-2ZJ
	Bearing .....	308-NRJ	1987-1982	60 Amp.:	
1968-1961	New Process 420 & Warner T87 Trans.:			Bearing (Front) .....	6203-2RSJ
	Seal .....	21210		Bearing (Rear) .....	MNJ471-S
	(Speedi-Sleeve) .....	99212	1985-1982	114 Amp.:	
	Bearing .....	307-J		Bearing (Front) .....	6303-2ZJ
1962-1960	4 Spd. Trans.:		1981-1974	w/o 100 Amp.:	
	Seal .....	21210		Bearing (Front) .....	6203-2RSJ
	(Speedi-Sleeve) .....	99212		Bearing (Rear) .....	MNJ471-S
	Bearing .....	6307-ZNRJ	1981-1974	100 Amp.:	
1960-1959	O/D Trans.:			Bearing (Front) .....	6303-2ZJ
	Seal .....	15620	1973-1963	All:	
	(Speedi-Sleeve) .....	99156		Bearing (Front) .....	6203-2RSJ
1959-1954	3 Spd. Trans. w/Side Control:			Bearing (Rear) .....	MNJ471-S
	Seal .....	15620	<b>Drive Shaft</b>		
	(Speedi-Sleeve) .....	99156	1995-1994	R3500 w/9.25" Axle:	
	Bearing .....	207-J		Bearing & Support .....	HB88107-B
1959-1954	4 Spd. Trans.:		1995-1994	R3500 w/Dana Axle:	
	Seal .....	21210		Bearing & Support .....	HB1650-10
	(Speedi-Sleeve) .....	99212	1989-1956	D, M & P Series:	
	Bearing .....	307-J		Bearing Only .....	BR88107
				Bearing & Support .....	HB88107-B
					(Continued)

# Passenger cars, light & medium trucks

(Cont.) -- Dodge Truck 1 ton, D300, D350, M300, M350, P300, P350, W300, W350, R3500

MFG./YEAR	MODEL & LOCATION	PART NO.	MFG./YEAR	MODEL & LOCATION	PART NO.
<b>Drive Shaft (Cont.)</b>			<b>Generator (Cont.)</b>		
1955-1946	All:		<b>Rear</b>		
	Bearing Only	6208-J	1960-1957	H.D.:	
<b>Engine</b>				Bearing	6204-J
<b>Crankshaft-Rear</b>			1960-1946	w/o H.D.:	
1995-1994	8.0L Eng.:			Bearing	6203-J
	Seal	44000	<b>Power Takeoff</b>		
1995-1990	360 (5.9L) Eng. Exc. Diesel:		1956-1948	Winch Worm:	
	Seal Kit	285		Seal	11138
1989-1971	360 (5.9L) Eng.:			(Speedi-Sleeve)	99112
	Seal Kit	214	<b>Steering-Power</b>		
1983-1982	318 (5.2L) Eng.:		<b>Pitman Shaft</b>		
	Seal Kit	212	1986-1969	All:	
<b>Timing Cover</b>				Seal (Inner)	12371
1995-1988	238 (3.9L), 318 (5.2L) & 360 (5.9L) Gas Eng.:			Seal (Outer)	12355
	Seal	21944		Seal Kit	12392
	(Speedi-Sleeve)	99218	1968-1963	All:	
	(Speedi-Sleeve/Seal Kit)	480219		Seal	13533
1995-1994	8.0L Eng.:		1962-1959	WM Series:	
	Seal	19762		Seal	12355
	(Speedi-Sleeve)	99199	1960-1959	w/o WM:	
1995-1989	5.9L Diesel Eng.:			Seal	12350
	Seal	24868	1958-1957	All:	
	(Speedi-Sleeve)	99250		Seal	12350
1991-1969	8 Cyl. Eng.:		<b>Pump Shaft</b>		
	Seal	21944	1992-1969	All:	
	(Speedi-Sleeve)	99218		Seal	7475
	(Speedi-Sleeve/Seal Kit)	480219	1968-1961	All:	
1978	6 Cyl. Eng. w/o Diesel:			Seal	8019
	Seal	22425	1960-1959	6 Cyl. Eng.:	
	(Speedi-Sleeve)	99225		Seal	7440
1977-1963	6 Cyl. Eng.:		1960-1959	8 Cyl. Eng.:	
	Seal	22415		Seal	6729
	(Speedi-Sleeve)	99226	1958	All:	
1968-1963	383 Eng.:			Seal	6767
	Seal	21944	1957	All:	
	(Speedi-Sleeve)	99218		Seal	5046
	(Speedi-Sleeve/Seal Kit)	480219	<b>Worm Shaft</b>		
1968-1959	318 (5.2L) Eng.:		1990-1982	All:	
	Seal	21944		Seal	6139
	(Speedi-Sleeve)	99218	1977-1969	All:	
	(Speedi-Sleeve/Seal Kit)	480219		Seal	6141
1960-1954	6 Cyl. Eng.:		<b>Steering-Standard</b>		
	Seal	21814	<b>Pitman Shaft</b>		
	(Speedi-Sleeve)	99218	1988-1969	All:	
1953	6 Cyl. Eng. Early Models:			Seal	12350
	Seal	21820	1968-1963	2 W/D:	
	(Speedi-Sleeve)	99218		Seal	11050
1953	6 Cyl. Eng. Late Models:		1968-1963	4 W/D:	
	Seal	21814		Seal	12350
	(Speedi-Sleeve)	99218	1962	D300:	
1952-1946	6 Cyl. Eng.:			Seal	12334
	Seal	21820	1953-1948	All:	
	(Speedi-Sleeve)	99218		Seal	11065
<b>Generator</b>			<b>Worm Shaft</b>		
<b>Front</b>			1988-1969	Saginaw:	
1960-1946	All:			Seal	7481
	Bearing	6203-J	(Continued)		

**Dodge Truck 1 ton, D300, D350, M300, M350, P300, P350, W300, W350, R3500 -- (Cont.)**

MFG./YEAR	MODEL & LOCATION	PART NO.	MFG./YEAR	MODEL & LOCATION	PART NO.
<b>Steering-Standard (Cont.)</b>					
<b>Worm Shaft (Cont.)</b>					
1981-1969	Chrysler:				
	Seal	7412			
1968-1963	4 W/D:				
	Seal	8648			

**Dodge Truck 1 1/2 ton, 2 ton, 400 series, 500 series**

**Wheel Front (2 W/D)**

1981-1969 5000 lb. Axle:

Seal ..... 24459

Bearing (Inner) ..... BR25590/BR25520

Bearing (Outer) ..... BR14116/BR14276

1973-1972 4000 lb. Axle:

Bearing (Inner) ..... BR47490/BR47420

Bearing (Outer) ..... BR14116/BR14276

1971-1963 7000 lb. Axle:

Seal ..... 28828

1971-1958 4000 lb. Axle:

Seal ..... 22835

Bearing (Inner) ..... BR37

(Set Components) ..... LM603049/LM603011

Bearing (Outer) ..... BR15101/BR15245

1956-1948 DU Route Van:

Bearing ..... BR12580/BR12520

**Wheel Front (4 W/D)**

1981-1977 Spicer 60 Axle:

Seal ..... 27452

Bearing (Inner) ..... 387-A/382-A

Bearing (Outer) ..... BR38

(Set Components) ..... LM104949/LM104911

**Spindle Hub**

1981-1977 Spicer 60 Axle:

Seal ..... 15194

(V-Ring) ..... 400650

**Wheel Rear**

1981-1974 Spicer 70 Axle w/12" X 3" Brks.:

Seal ..... 30033

Bearing (Inner) ..... SET416

(Set Components) ..... BR45291/BR45220

Bearing (Outer) ..... BR38

(Set Components) ..... LM104949/LM104911

1981-1974 Spicer 70 Axle w/15" X 4" Brks.:

Seal ..... 33136

Bearing (Inner) ..... BR3982/BR3920

Bearing (Outer) ..... BR3767/BR3730

1977-1972 Rockwell Std. F140D Axle:

Scotseal ..... 32470

Bearing (Inner) ..... BR33287/BR33462

Bearing (Outer) ..... BR3984/BR3920

1973-1972 Spicer 70 Axle w/Dual Rr. Whls.:

Seal ..... 33136

Bearing (Inner) ..... BR3984/BR3920

Bearing (Outer) ..... BR3767/BR3730

**Wheel Rear (Cont.)**

1971-1963 RA115 IHC Axle:

Scotseal ..... 32470

Bearing (Inner) ..... BR3984/BR3920

Bearing (Outer) ..... BR462/453-X

1971-1963 Eaton 1350A5, 13802 & Rockwell Std. F147

**Axles:**

Seal ..... 33807

Bearing (Inner) ..... BR33287/BR33462

Bearing (Outer) ..... BR3982/BR3920

1956-1954 F & G Series:

Seal ..... 32470

Bearing (Inner) ..... BR3984/BR3920

Bearing (Outer) ..... BR462/453-X

1956-1948 DU Route Van:

Bearing (Inner) ..... SET407

(Set Components) ..... BR28682/BR28622

Bearing (Outer) ..... BR2984/BR2924

1956-1948 EU Route Van:

Bearing (Inner) ..... SET407

(Set Components) ..... BR28682/BR28622

1956-1948 H, HM, J & JM Series:

Bearing (Inner) ..... BR33281/BR33462

Bearing (Outer) ..... BR3982/BR3920

1956-1948 K & KM Series:

Bearing (Inner) ..... BR42688/BR42620

Bearing (Outer) ..... SET408

(Set Components) ..... BR39590/BR39520

**Pinion**

**Front Axle**

1981-1977 4 W/D w/Spicer 60 Axle:

Seal ..... 18891

(Speedi-Sleeve) ..... 99187

Bearing (Front) ..... HM88542/HM88510

Bearing (Rear) ..... HM803146/HM803110

**Rear Axle**

1981-1979 Spicer 70 Axle:

Seal ..... 18891

(Speedi-Sleeve) ..... 99187

Bearing (Front) ..... HM88542/HM88510

Bearing (Rear) ..... HM807040/HM807010

1978-1972 Spicer 70 Axle:

Seal (.531" Width) ..... 18888

(Speedi-Sleeve) (.531" Width) ..... 99187

Seal (.770" Width) ..... 18891

(Speedi-Sleeve) (.770" Width) ..... 99187

Bearing (Front) ..... HM88542/HM88510

Bearing (Rear) ..... HM807040/HM807010

(Continued)

# Passenger cars, light & medium trucks

## (Cont.) -- Dodge Truck 1 1/2 ton, 2 ton, 400 series, 500 series

MFG./YEAR	MODEL & LOCATION	PART NO.	MFG./YEAR	MODEL & LOCATION	PART NO.
<b>Pinion (Cont.)</b>			<b>Clutch (Cont.)</b>		
<b>Rear Axle (Cont.)</b>			<b>Release</b>		
1977-1975 Rockwell Std. F140D Axle From 4/2/75:			1981-1978 All:		
	Seal	22619		Bearing Only	N1054
	(Speedi-Sleeve)	99225		Bearing Assembly	N1463
	Bearing (Front)	HM803146/HM803110		(Self-Aligning)	N1463-SA
	Bearing (Pilot)	MU1305UM18	1977-1974 All:		
	Bearing (Rear)	HM903247/HM903216		Bearing Only	N1087
1975-1972 Rockwell Std. F140D Axle Thru 4/1/75:				Bearing Assembly	N1459
	Seal	22425	1973-1961 13" Clutch w/361 Eng.:		
	(Speedi-Sleeve)	99225		Bearing Only	N1611
	Bearing (Front)	HM903249-A/HM903216	1973-1959 11", 12" & 13" Clutches w/o 361 Eng.:		
	Bearing (Pilot)	MU1305UM18		Bearing Only	N1087
	Bearing (Rear)	HM903247/HM903216		Bearing Assembly	N1459
1973-1965 Rockwell Std. F147 Axle From 3/2/65:			1968-1959 All:		
	Seal	22425		Bearing Only	N1611
	(Speedi-Sleeve)	99225	<b>Transfer Case</b>		
	Bearing (Front)	HM903249-A/HM903216	<b>Front Output Shaft</b>		
	Bearing (Pilot)	MU1305UM18	1981-1980 New Process 205:		
	Bearing (Rear)	HM903247/HM903216		Seal	18752
1973-1963 Eaton 13802 Axle:			1979-1978 New Process 203:		
	Seal	22424		Seal	17720
	(Speedi-Sleeve)	99225		(Speedi-Sleeve)	99174
	Bearing (Front)	[2] HM903249/HM903210	<b>Input Shaft</b>		
	Bearing (Pilot)	MU1305TM17	1979-1978 New Process 203:		
	Bearing (Rear)	HM903249/HM903210		Seal	19255
1965-1963 Rockwell Std. F147 Axle Thru 3/1/65:				(Speedi-Sleeve)	99193
	Seal	22425	<b>Rear Output Shaft</b>		
	(Speedi-Sleeve)	99225	1981-1980 New Process 205:		
	Bearing (Front)	HM903249-A/HM903216		Seal	21213
	Bearing (Pilot)	MU1305TM17		(Speedi-Sleeve)	99212
	Bearing (Rear)	HM903247/HM903216	1979-1978 New Process 203:		
<b>Differential</b>				Seal	21061
<b>Front Axle</b>				(Speedi-Sleeve)	99212
1981-1977 4 W/D w/Spicer 60 Axle:			<b>Shift Shaft</b>		
	Bearing	387-A/382-S	1981-1980 New Process 205:		
<b>Rear Axle</b>				Seal	7464
1981-1972 Spicer 70 Axle Exc. M500:				(Speedi-Sleeve)	99076
	Bearing	387-A/382-S	<b>Transmission-Automatic</b>		
1981-1972 Spicer 70 Axle w/M500:			<b>Front Pump</b>		
	Bearing	BR469/453-X	1981-1978 A904 & A999 Trans.:		
1977-1974 Rockwell Std. F140D Axle:				Seal	15022
	Bearing	BR3994/JM511910		(Speedi-Sleeve)	99149
1973-1972 Rockwell Std. F140D & F147 Axles w/1668174 Carrier:			1981-1963 A727 Trans.:		
	Bearing	BR3994/BR3920		Seal	18508
1973-1972 Rockwell Std. F140D & F147 Axles w/3820083 Carrier:			<b>Rear</b>		
	Bearing	BR3994/JM511910	1981-1978 A904 & A999 Trans.:		
1973-1969 Eaton 13802 Axle:				Seal	15546
	Bearing (L.H.)	BR498/BR493		(Speedi-Sleeve)	99156
	Bearing (R.H.)	BR33275/BR33472	1981-1963 A727 Trans.:		
1973-1963 RA115 Axle:				Seal (1.563" Shaft)	15729
	Bearing	BR28985/BR28920		Seal (1.688" Shaft)	16725
1971-1963 Rockwell Std. F147 Axle:				(Speedi-Sleeve) (1.688" Shaft)	99168
	Bearing	BR3994/BR3920		(Speedi-Sleeve/Seal Kit)	480168
<b>Clutch</b>			<b>Shift Shaft</b>		
<b>Pilot</b>			1981-1974 All:		
1980-1948 All:				Seal	8017
	Bearing	B286	(Continued)		

Dodge Truck 1 1/2 ton, 2 ton, 400 series, 500 series -- (Cont.)

MFG./YEAR	MODEL & LOCATION	PART NO.	MFG./YEAR	MODEL & LOCATION	PART NO.
<b>Transmission-Manual</b>			<b>Transmission-Manual (Cont.)</b>		
<b>Countershaft</b>			<b>Rear (Cont.)</b>		
1977-1964	4 Spd. New Process 435 & 445 Trans.:		1977-1963	4 Spd. New Process 435 Trans.:	
	Bearing (Front) .....	M24161-X1	Seal .....		21103
	Bearing (Rear) .....	B3216	(Speedi-Sleeve) .....		99212
1960-1959	3 Spd. w/o Warner T85 & T87 Trans.:		1972-1963	5 Spd. New Process 540 Trans.:	
	Bearing .....	[44] C1086-Q	Seal .....		21103
1958-1957	3 Spd. Trans. w/F.C.:		(Speedi-Sleeve) .....		99212
	Bearing .....	J32-2080	Bearing .....		308-NRJ
1958-1946	3 Spd. Trans. w/Top Control:		1968-1963	4 Spd. New Process 433 Trans.:	
	Bearing .....	[44] C407-Q	Seal .....		21108
1956-1948	3 & 4 Spd. Helical Gear Type Trans.:		(Speedi-Sleeve) .....		99212
	Bearing (Front) .....	207-ZNRJ	1962-1959	3 Spd. Warner T87 Trans.:	
	Bearing (Rear) .....	M28161	Seal .....		21210
1956-1948	4 Spd. Spur Gear Type Trans.:		(Speedi-Sleeve) .....		99212
	Bearing .....	[88] C436-Q	1962-1946	5 Spd. Trans.:	
<b>Fourth Speed Gear</b>				Bearing .....	6308-NRJ
1956-1954	Clark 200V Trans.:		1960-1959	Warner T85 Trans.:	
	Bearing .....	[36] C436-Q		Bearing .....	307-J
<b>Front</b>			1958-1957	3 Spd. Trans. w/F.C.:	
1981-1967	4 Spd. New Process 435 & 445 Trans.:			Bearing .....	6307-NRJ
	Seal .....	13557	1958-1954	3 Spd. Trans. w/Side Control:	
	(Speedi-Sleeve) .....	99138		Bearing .....	207-J
	Bearing .....	HM88649/HM88610	1958-1954	3 Spd. Trans. w/Top Control:	
1960-1959	3 Spd. w/o Warner T85 & T87 Trans.:			Bearing .....	6306-NRJ
	Bearing .....	207-NRJ	<b>Reverse Idler</b>		
1958-1957	3 Spd. Trans. w/F.C.:		1976-1963	4 Spd. New Process 435 Trans.:	
	Bearing .....	209-NRJ		Bearing .....	[68] C407-Q
1958-1957	3 Spd. Trans. w/Side Control:		1976-1961	3 Spd. Trans.:	
	Bearing .....	207-NRJ		Bearing .....	[22] C1086-Q
1958-1957	3 Spd. Trans. w/Top Control:		1956-1948	5 Spd. Clark 200V Trans.:	
	Bearing .....	207-ZNRJ		Bearing .....	[2] J36-1644
1956-1948	5 Spd. w/o Clark 200V Trans.:		<b>Third Speed Gear</b>		
	Bearing .....	209-ZNRJ	1956-1948	5 Spd. w/o Clark 200V Trans.:	
1956-1948	5 Spd. Clark 200V Trans.:			Bearing .....	[50] B1316-Q
	Bearing .....	6211-ZNRJ	<b>Air Conditioning Clutch</b>		
1956-1946	3 Spd. Trans.:		1977-1969	All:	
	Bearing .....	207-ZNRJ		Bearing .....	5206-A2RS
<b>Mainshaft Extension</b>			<b>Air Conditioning Compressor</b>		
1956-1954	4 Spd. Truck-O-Matic Trans.:		1977-1969	All:	
	Bearing .....	6206-J		Bearing .....	6205-J
<b>Mainshaft Pilot</b>			<b>Alternator</b>		
1977-1957	4 Spd. Trans.:		1981-1974	w/o 100 Amp.:	
	Bearing .....	[14] Q15902		Bearing (Front) .....	6203-2RSJ
1972-1957	5 Spd. New Process 540 Trans.:			Bearing (Rear) .....	MNJ471-S
	Bearing .....	[14] Q15902	1981-1974	100 Amp.:	
1960-1959	3 Spd. w/o Warner T85 & T87 Trans.:			Bearing (Front) .....	6303-2ZJ
	Bearing .....	[14] QBR23549	1973-1963	All:	
1958-1957	3 Spd. Trans. w/o F.C.:			Bearing (Front) .....	6203-2RSJ
	Bearing .....	[14] QBR23549		Bearing (Rear) .....	MNJ471-S
1956-1953	4 Spd. Truck-O-Matic Trans.:		<b>Drive Shaft</b>		
	Bearing .....	[15] QBR23549	1981-1956	All:	
1956-1948	5 Spd. Clark 200V Trans.:			Bearing Only .....	BR88107
	Bearing .....	J36-1644		Bearing & Support .....	HB88107-B
1956-1946	3 Spd. Trans.:		1958-1946	All:	
	Bearing .....	[14] QBR23549		Bearing Only .....	6208-J
<b>Rear</b>					(Continued)
1981-1978	4 Spd. New Process 435 & 445 Trans.:				
	Seal .....	15620			
	(Speedi-Sleeve) .....	99156			



# Passenger cars, light & medium trucks

## (Cont.) -- Dodge Truck 1 1/2 ton, 2 ton, 400 series, 500 series

MFG./YEAR	MODEL & LOCATION	PART NO.	MFG./YEAR	MODEL & LOCATION	PART NO.
<b>Engine</b>			<b>Steering-Power</b>		
<b>Crankshaft-Rear</b>			<b>Pitman Shaft</b>		
<b>1981-1978 446 Diesel Eng.:</b>			<b>1981-1978 All:</b>		
	Seal .....	37395		Seal (Inner) .....	12371
	(Speedi-Sleeve) .....	99372		Seal (Outer) .....	12355
<b>1981-1974 360 Eng.:</b>				Seal Kit .....	12392
	Seal Kit .....	214	<b>1977-1974 w/o M.H.C.:</b>		
<b>1981-1963 318 Eng.:</b>				Seal .....	12350
	Seal Kit .....	212	<b>1977-1974 M.H.C.:</b>		
<b>Timing Cover</b>				Seal (Inner) .....	12371
<b>1981-1978 446 Diesel Eng.:</b>				Seal (Outer) .....	12355
	Seal .....	24988		Seal Kit .....	12392
	(Speedi-Sleeve) .....	99250	<b>Pump Shaft</b>		
	(Speedi-Sleeve/Seal Kit) .....	480249	<b>1981-1974 All:</b>		
<b>1981-1972 360, 400, 413 &amp; 440 Eng.:</b>				Seal .....	7475
	Seal .....	21944	<b>Worm Shaft</b>		
	(Speedi-Sleeve) .....	99218	<b>1977-1974 All:</b>		
	(Speedi-Sleeve/Seal Kit) .....	480219		Seal .....	6141
<b>1977-1963 361 Eng.:</b>			<b>Steering-Standard</b>		
	Seal .....	21944	<b>Pitman Shaft</b>		
	(Speedi-Sleeve) .....	99218	<b>1981-1978 All:</b>		
	(Speedi-Sleeve/Seal Kit) .....	480219		Seal .....	12350
<b>1973-1969 225 Eng.:</b>			<b>1977-1969 All:</b>		
	Seal .....	22415		Seal .....	14840
	(Speedi-Sleeve) .....	99226	<b>1968-1963 From 7000 lb. Axle:</b>		
<b>1968-1963 318 Eng.:</b>				Seal .....	13533
	Seal .....	21944	<b>1968-1963 Thru 7000 lb. Axle:</b>		
	(Speedi-Sleeve) .....	99218		Seal .....	12350
<b>Generator</b>			<b>Worm Shaft</b>		
<b>Front</b>			<b>1981-1978 All:</b>		
	<b>1960-1946 All:</b>			Seal .....	7481
	Bearing .....	6203-J	<b>1968-1963 All:</b>		
<b>Rear</b>				Seal .....	8648
	<b>1960-1957 w/o H.D.:</b>		<b>1960-1957 H.D.:</b>		
	Bearing .....	6203-J		Bearing .....	6204-J
	<b>1960-1957 H.D.:</b>		<b>1956-1946 All:</b>		
	Bearing .....	6204-J		Bearing .....	6203-J
	<b>1956-1946 All:</b>				
	Bearing .....	6203-J			
<b>Eagle Medallion, Premier</b>					
<b>Wheel Front</b>			<b>Transaxle-Automatic</b>		
<b>1992-1988 Premier:</b>			<b>Differential</b>		
	Sealed Bearing w/Housing .....	FW110	<b>1989-1988 Medallion:</b>		
<b>1989-1988 Medallion:</b>				Bearing .....	BR30207
	Sealed Bearing w/Housing .....	FW110	<b>1989-1988 Premier:</b>		
<b>Pinion</b>				Bearing .....	30209-C
<b>1991-1988 Premier w/ZF Trans.:</b>			<b>Front Pump</b>		
	Seal .....	21613	<b>1992-1988 Premier w/ZF Trans.:</b>		
	(Speedi-Sleeve) .....	99215		Seal .....	17728
<b>Clutch</b>				(Speedi-Sleeve) .....	99177
<b>Pilot</b>			<b>1989-1988 Premier w/AR4 Trans.:</b>		
<b>1991-1988 Premier w/Auto. Trans.:</b>				Seal .....	20210
	Bearing (Bushing) .....	B656		(Speedi-Sleeve) .....	99212
	(Heavy Duty) .....	B657	<b>1989-1988 Medallion:</b>		
<b>1989-1988 Medallion:</b>				Seal .....	18877
	Bearing .....	6203-2RSJ		(Speedi-Sleeve) .....	99189
<b>1989-1988 Premier w/Man. Trans.:</b>					(Continued)
	Bearing .....	FC65446			

**Eagle Medallion, Premier -- (Cont.)**

MFG./YEAR	MODEL & LOCATION	PART NO.	MFG./YEAR	MODEL & LOCATION	PART NO.
<b>Transaxle-Automatic (Cont.)</b>			<b>Engine (Cont.)</b>		
<b>Output Shaft</b>			<b>Crankshaft-Rear (Cont.)</b>		
1991-1988	Premier w/ZF Trans.:		1989-1988	2.5L Eng.:	
	Seal (L.H.) .....	13475		Seal .....	29526
	(Speedi-Sleeve) (L.H.) .....	99134		(Speedi-Sleeve) .....	99294
	Seal (R.H.) .....	17149	1989-1988	2.2L Eng.:	
1989-1988	Premier w/AR4 Trans.:			Seal .....	35409
	Seal (L.H.) .....	12749		(Speedi-Sleeve) .....	99354
	(Speedi-Sleeve) (L.H.) .....	99128	<b>Timing Belt Idler</b>		
	Seal (R.H.) .....	17762	1992-1988	Premier:	
	(Speedi-Sleeve) (R.H.) .....	99177		Bearing & Housing Assy. ....	VKM900052
<b>Transaxle-Manual</b>			<b>Timing Cover</b>		
<b>Input Shaft</b>			1992-1991	3.0L Eng.:	
1989-1988	Medallion:			Seal .....	16518
	Seal .....	10188		(Speedi-Sleeve) .....	99169
	(Speedi-Sleeve) .....	99103	1990-1988	3.0L Eng.:	
<b>Output Shaft</b>				Seal .....	15856
1989-1988	Premier:			(Speedi-Sleeve) .....	99157
	Seal .....	16511	1989-1988	2.5L Eng.:	
	(Speedi-Sleeve) .....	99169		Seal .....	17806
<b>Shift Shaft</b>				(Speedi-Sleeve) .....	99179
1989-1988	Medallion & Premier:		1989-1988	2.2L Eng.:	
	Seal .....	7003		Seal .....	19611
	(Speedi-Sleeve) .....	99082		(Speedi-Sleeve) .....	99196
<b>Engine</b>			<b>Steering-Power</b>		
<b>Auxiliary Shaft</b>			<b>Pump Shaft</b>		
1989-1988	2.2L Eng.:		1990-1988	6 Cyl. Eng.:	
	Seal .....	11606		Seal .....	7475
	(Speedi-Sleeve) .....	99114	1989-1988	4 Cyl. Eng.:	
<b>Camshaft</b>				Seal .....	15856
1989-1988	2.2L Eng.:				
	Seal .....	13945			
	(Speedi-Sleeve) .....	99139			
<b>Crankshaft-Rear</b>					
1992-1988	3.0L Eng.:				
	Seal .....	31492			
	(Speedi-Sleeve) .....	99315			

**Eagle Summit**

<b>Wheel Front</b>			<b>Wheel Rear (Cont.)</b>		
1995-1993	Summit Coupe & Sed.:		1995-1992	Summit Wgn. w/A.W.D.:	
	Seal (Inner) .....	21248		Bearing .....	GRW260
	Seal (Outer) .....	20431	1992-1991	Summit Exc. Wgn. Mfr. By Diamond Star	
	Bearing .....	FW170		Motor Company:	
1995-1992	Summit Wgn.:			Hub Assembly .....	BR930017
	Seal (Inner) .....	21281	1992-1991	Summit Exc. Wgn. Mfr. By Mitsubishi Motor	
	Seal (Outer) .....	20463		Company:	
	Bearing .....	FW101		Seal .....	15298
1992-1989	Summit Sed.:			Bearing .....	[2] GRW152
	Seal .....	19612	1990-1989	Summit:	
	Bearing .....	[2] BR41		Seal .....	15298
				Bearing .....	[2] GRW152
<b>Wheel Rear</b>			<b>Pinion</b>		
1995-1993	Summit Coupe & Sed. w/o ABS:		1995-1993	Summit:	
	Hub Assembly .....	BR930271		Bearing (Front) .....	30305-C
1995-1993	Summit Coupe & Sed. w/ABS:			Bearing (Rear) .....	BR32207
	Hub Assembly .....	BR930059			(Continued)
1995-1992	Summit Wgn. w/F.W.D.:				
	Hub Assembly .....	BR930258			

MFG./YEAR	MODEL & LOCATION	PART NO.	MFG./YEAR	MODEL & LOCATION	PART NO.
<b>Differential</b>			<b>Engine</b>		
<b>Rear Axle</b>			<b>Camshaft</b>		
1995-1992 Summit Wgn. w/A.W.D.:			1995-1991 1.5L, 1.8L & 2.4L Engs.:		
	Seal .....	14006		Seal .....	13943
	(Speedi-Sleeve) .....	99139		(Speedi-Sleeve) .....	99139
	Bearing .....	BR30207	<b>1990-1989 All:</b>		
<b>Clutch</b>				Seal (Viton) .....	13946
<b>Release</b>				Seal .....	13943
1995-1989 All:				(Speedi-Sleeve) .....	99139
	Bearing Assembly .....	N3067	<b>Crankshaft-Rear</b>		
<b>Transaxle-Automatic</b>			1995-1991 1.5L Eng.:		
<b>Differential</b>				Seal .....	28308
1995-1989 w/o 2.4L Eng.:				(Speedi-Sleeve) .....	99284
	Bearing .....	[2] 6207-J	1995-1993 2.4L Eng.:		
<b>Front Pump</b>				Seal .....	33861
1995-1989 All:			1995-1992 1.8L Eng.:		
	Seal .....	16897		Seal .....	33861
	(Speedi-Sleeve) .....	99182	1992 2.4L Eng.:		
<b>Output Shaft</b>				Seal .....	31506
1995-1989 All:				(Speedi-Sleeve) .....	99315
	Seal .....	14006	1990-1989 1.5L Eng.:		
	(Speedi-Sleeve) .....	99139		Seal .....	28308
<b>Transaxle-Manual</b>				(Speedi-Sleeve) .....	99284
<b>Differential</b>			1990-1989 1.6L Eng.:		
1995-1992 Summit Wgn. w/F.W.D. & 1.8L Eng.:				Seal .....	31506
	Bearing .....	[2] BR30207		(Speedi-Sleeve) .....	99315
1995-1989 Summit w/1.5L Eng. Exc. Wgn.:			<b>Oil Pump</b>		
	Bearing .....	[2] 6207-J	1989 All:		
1990-1989 1.6L Eng. w/o Turbo:				Seal .....	7905
	Bearing .....	[2] BR30207		(Speedi-Sleeve) .....	99078
<b>Input Shaft</b>			<b>Timing Belt Tensioner</b>		
1995-1992 Summit Wgn.:			1995 Summit Wgn. w/2.4L Eng.:		
	Seal .....	9709		Bearing & Housing Assy. ....	VKM75064
	(Speedi-Sleeve) .....	99098	1995-1992 1.8L Eng.:		
	Bearing .....	6305-VSP68		Bearing & Housing Assy. ....	VKM75002
1995-1989 Summit Coupe & Sed.:			1995-1991 1.5 Eng.:		
	Seal (Viton) .....	9706		Bearing & Housing Assy. ....	VKM75001
	Seal .....	9705	1992 2.4L Eng.:		
	(Speedi-Sleeve) .....	99098		Bearing & Housing Assy. ....	VKM75113
<b>Output Shaft</b>			1990-1989 Summit w/1.5L Eng.:		
1995-1992 Summit Wgn.:				Bearing & Housing Assy. ....	VKM75100
	Seal (Front) .....	14028	<b>Timing Belt and Tensioner Kit</b>		
	Seal (Center) .....	11592	1995-1991 Summit w/1.5L Eng.:		
	(Speedi-Sleeve) (Center) .....	99114		Belt & Tensioner Kit .....	VKMA95012
	Seal (Rear) .....	14006	1990-1989 Summit w/1.5L Eng.:		
	(Speedi-Sleeve) (Rear) .....	99139		Belt & Tensioner Kit .....	VKMA92001
1995-1989 Summit Exc. Wgn.:			<b>Timing Cover</b>		
	Seal .....	14006	1995-1992 2.4L Eng.:		
	(Speedi-Sleeve) .....	99139		Seal .....	17629
<b>Rear Extension</b>				(Speedi-Sleeve) .....	99177
1995-1992 Summit Wgn. w/A.W.D.:			1995-1992 1.8L Eng.:		
	Seal .....	12736		Seal .....	14671
	(Speedi-Sleeve) .....	99128	1995-1989 1.5L Eng.:		
<b>Shift Shaft</b>				Seal .....	11671
1995-1989 All:				(Speedi-Sleeve) .....	99114
	Seal .....	7003	1990-1989 1.6L Eng.:		
	(Speedi-Sleeve) .....	99082		Seal .....	17629
				(Speedi-Sleeve) .....	99177

(Continued)

**Eagle Summit -- (Cont.)**

MFG./YEAR	MODEL & LOCATION	PART NO.	MFG./YEAR	MODEL & LOCATION	PART NO.
<b>Steering-Standard</b>					
<b>Pitman Shaft</b>					
1989	All:				
	Seal	6622			

**Eagle Talon**

<b>Wheel Front</b>		
1995	All:	
	Hub Assembly	BR930214
1994-1990	All:	
	Seal (Inner)	21281
	Seal (Outer)	20463
	Bearing	■ FW101
<b>Wheel Rear</b>		
1995	A.W.D.:	
	Sealed Bearing w/Housing	GRW176
1995	w/o A.W.D.:	
	Hub Assembly	BR930172
1994-1990	w/o ABS:	
	Hub Assembly	BR930038
1994-1990	ABS:	
	Hub Assembly	BR930037
<b>Axle Shaft</b>		
1994-1990	A.W.D.:	
	Seal	14054
	Sealed Bearing (Inner)	GRW163
	Sealed Bearing (Outer)	GRW165

<b>Pinion</b>		
<b>Rear Axle</b>		
1995-1990	All:	
	Bearing (Front)	30305-C
	Bearing (Rear)	BR32207

<b>Differential</b>		
<b>Rear Axle</b>		
1995-1990	All:	
	Bearing	[2] BR30207

<b>Clutch</b>		
<b>Release</b>		
1995	w/o A.W.D. & Turbo:	
	Bearing Assembly	N4166
1995	A.W.D. & Turbo:	
	Bearing Assembly	N3067
1994-1990	All:	
	Bearing Assembly	N3067

<b>Transaxle-Automatic</b>		
<b>Differential</b>		
1995	41TE Transaxle w/o Turbo:	
	Bearing (L.H.)	NP889967/NP178207
	Bearing (R.H.)	BR11
	(Set Components)	JL69349/JL69310
1995-1990	w/o 41TE Transaxle:	
	Bearing	[2] 6207-J
<b>Front Pump</b>		
1995	41TE Trans.:	
	Seal	14939
	(Speedi-Sleeve)	99149

<b>Transaxle-Automatic (Cont.)</b>		
<b>Front Pump (Cont.)</b>		
1995-1990	F4A22, F4A33 & W4A33 Trans.:	
	Seal	16897
	(Speedi-Sleeve)	99182
<b>Output Shaft</b>		
1995	41TE Transaxle w/o Turbo:	
	Seal	15750
	(Speedi-Sleeve)	99157
1995	w/o 41TE Auto. Transaxle & A.W.D.:	
	Seal	14787
1995-1990	A.W.D.:	
	Seal (L.H.)	14028
	Seal (R.H.)	14006
	(Speedi-Sleeve) (R.H.)	99139
1994-1990	w/o A.W.D.:	
	Seal	14006
	(Speedi-Sleeve)	99139

<b>Transaxle-Manual</b>		
<b>Differential</b>		
1995	w/o Turbo:	
	Bearing	[2] BR11
	(Set Components)	JL69349/JL69310
1995	A.W.D. & Turbo:	
	Bearing	[2] 6207-J
1994-1990	A.W.D.:	
	Bearing	[2] 6207-J
1994-1990	w/o A.W.D. & Turbo:	
	Bearing	[2] BR30207

<b>Input Shaft</b>		
1995	w/o Turbo:	
	Bearing	FC67560
1995	w/Turbo:	
	Seal	9709
	(Speedi-Sleeve)	99098
	Bearing	BR80
1994-1992	All:	
	Seal	9709
	(Speedi-Sleeve)	99098
	Bearing	6305-VSP68
1991-1990	All:	
	Seal	9706
	(Speedi-Sleeve)	99098

<b>Output Shaft</b>		
1995	w/o Turbo:	
	Seal	15750
	(Speedi-Sleeve)	99157
1995	w/Turbo w/o A.W.D.:	
	Seal	14787
1995	A.W.D. & Turbo:	
	Seal (L.H.)	14006
	(Speedi-Sleeve) (L.H.)	99139
	Seal (R.H.)	14028

(Continued)

MFG./YEAR	MODEL & LOCATION	PART NO.	MFG./YEAR	MODEL & LOCATION	PART NO.
<b>Transaxle-Manual (Cont.)</b>			<b>Engine (Cont.)</b>		
<b>Output Shaft (Cont.)</b>			<b>Crankshaft-Rear</b>		
1994-1993 w/o A.W.D. & Turbo:			1995 2.0L Eng. w/o Turbo:		
	Seal .....	14006		Seal .....	35905
	(Speedi-Sleeve) .....	99139	1995 2.0L Eng. w/Turbo:		
1994-1993 w/Turbo w/o A.W.D.:				Seal .....	33861
	Seal .....	14787	1994-1990 2.0L Eng.:		
1994-1990 A.W.D.:				Seal .....	31506
	Seal (L.H.) .....	14028		(Speedi-Sleeve) .....	99315
	Seal (R.H.) .....	14006	<b>Oil Pump</b>		
	(Speedi-Sleeve) (R.H.) .....	99139	1992-1990 2.0L Eng.:		
1992-1990 w/o A.W.D.:				Seal .....	7905
	Seal .....	14006		(Speedi-Sleeve) .....	99078
	(Speedi-Sleeve) .....	99139	<b>Timing Belt Idler</b>		
<b>Transfer Case</b>			1994-1990 2.0L Eng.:		
<b>Front Output Shaft</b>				Bearing & Housing Assy. ....	VKM85000
1995 A.W.D. w/Auto. Trans.:			<b>Timing Belt Tensioner</b>		
	Seal .....	11589	1995 Talon TSI w/2.0L Turbo Eng.:		
	Bearing .....	BR6		Bearing & Housing Assy. ....	VKM75613
	(Set Components) .....	LM67048/LM67010	1995 Talon ESI w/2.0L Eng.:		
1995 A.W.D. w/Man. Trans.:				Bearing (Tensioner) .....	VKM51001
	Seal .....	11592		Bearing & Adjuster .....	VKM51003
	(Speedi-Sleeve) .....	99114		Brg. & Hsg. Assy. w/Metal Brkt. ....	VKM55008
	Bearing .....	BR6		Brg. & Adjuster w/Aluminum Brkt. ....	VKM55016
	(Set Components) .....	LM67048/LM67010	1994-1993 Talon Exc. A.W.D.:		
<b>Rear Output Shaft</b>				Bearing & Housing Assy. ....	VKM75108
1995 A.W.D.:			1994-1990 2.0L Eng.:		
	Seal .....	12736		Bearing & Housing Assy. ....	VKM75144
	(Speedi-Sleeve) .....	99128		Tensioner Balance Shaft .....	VKM75004
	Bearing .....	32008-X	<b>Timing Belt and Tensioner Kit</b>		
<b>Engine</b>			1995 2.0L DOHC Eng. w/o Turbo:		
<b>Balance Shaft</b>				Belt & Tensioner Kit .....	VKMA41004
1992-1990 2.0L Eng.:			1994-1990 2.0L Eng.:		
	Seal .....	9706		Belt & Tensioner Kit .....	VKMA95005
	(Speedi-Sleeve) .....	99098	<b>Timing Cover</b>		
	Bearing & Housing Assy. ....	VKM75044	1995 2.0L Eng. w/o Turbo:		
<b>Camshaft Front</b>				Seal .....	12717
1995 2.0L Eng. w/o Turbo:				(Speedi-Sleeve) .....	99128
	Seal .....	13709	1995 2.0L Eng. w/Turbo:		
	(Speedi-Sleeve) .....	99139		Seal .....	17629
1995 2.0L Eng. w/Turbo:				(Speedi-Sleeve) .....	99177
	Seal .....	13943	1991-1990 2.0L Eng.:		
	(Speedi-Sleeve) .....	99139		Seal .....	17629
1994-1990 2.0L Eng.:				(Speedi-Sleeve) .....	99177
	Seal .....	13943			
	(Speedi-Sleeve) .....	99139			

**Eagle Vision**

<b>Wheel Front</b>	
1995-1993 All:	
Hub Assembly (Kit) .....	BR930190K
<b>Wheel Rear</b>	
1995-1993 Disc Brks.:	
Hub Assembly .....	BR930189
1995-1993 Drum Brks.:	
Hub Assembly .....	BR930188

<b>Transaxle-Automatic</b>	
<b>Differential</b>	
1995-1993 42LE Trans.:	
Bearing .....	[2] BR36
(Set Components) .....	LM603049/LM603012
<b>Front Pump</b>	
1995-1993 42LE Trans.:	
Seal .....	14939
(Speedi-Sleeve) .....	99149
(Continued)	

**Eagle Vision -- (Cont.)**

MFG./YEAR	MODEL & LOCATION	PART NO.	MFG./YEAR	MODEL & LOCATION	PART NO.
<b>Transaxle-Automatic (Cont.)</b>			<b>Engine (Cont.)</b>		
<b>Output Shaft</b>			<b>Timing Belt Tensioner</b>		
1995-1993 42LE Trans.:			1995 3.5L Eng.:		
	Seal (L.H.) .....	11897		Bearing Only .....	VKM51001
	(Speedi-Sleeve) (L.H.) .....	99118		Bearing & Housing Assy. ....	VKM51003
	Seal (R.H.) .....	11919	<b>Timing Belt and Tensioner Kit</b>		
<b>Transfer Shaft</b>			1995 3.5L Eng.:		
1995-1993 42LE Trans.:			Belt & Tensioner Kit .....		
	Seal (Front) .....	15607	1994-1993 3.5L Eng.:		
	Seal (Rear) .....	14512	Belt & Tensioner Kit .....		
	Bearing (Front) .....	M802048/M802011	<b>Timing Cover</b>		
<b>Engine</b>			1995-1993 3.3L & 3.5L Engs.:		
<b>Camshaft Front</b>			Seal .....		
1995-1993 3.5L Eng.:			(Speedi-Sleeve) .....		
	Seal .....	11152			
<b>Crankshaft-Rear</b>					
1995-1993 3.3L & 3.5L Engs.:					
	Seal .....	35828			

**Eagle (Canadian Models) Vista, 2000GTX**

<b>Wheel Front</b>			<b>Differential</b>		
1993 Vista:			<b>Front Axle</b>		
	Seal (Inner) .....	21281	1993-1992 2000GTX:		
	Seal (Outer) .....	20440	Seal .....		
	Bearing .....	FW170	(Speedi-Sleeve) .....		
1993-1991 2000GTX:			Bearing .....		
	Seal (Inner) .....	550241	[2] BR30207		
	Seal (Outer) .....	20440	<b>Clutch</b>		
	Bearing .....	■ FW101	<b>Release</b>		
1992-1988 Vista:			1993-1991 2000GTX w/2.0L DOHC Eng.:		
	Seal .....	19612	Bearing Assembly .....		
	Bearing .....	[2] BR41	1992-1988 1.5L & 1.6L Engs.:		
<b>Axle Shaft</b>			Bearing Assembly .....		
1993-1992 2000GTX:			N3067		
	Seal .....	16546	<b>Transaxle-Automatic</b>		
<b>Wheel Rear</b>			<b>Differential</b>		
1993-1991 2000GTX:			1993-1988 3 & 4 Spd. Trans.:		
	Seal .....	14704	Bearing .....		
	Bearing (Inner) .....	BR4	[2] 6207-J		
	(Set Components) .....	L44649/L44610	<b>Front Pump</b>		
	Bearing (Outer) .....	BR1	1993-1989 4 Spd. Trans.:		
	(Set Components) .....	LM11749/LM11710	Seal .....		
1992 Vista:			(Speedi-Sleeve) .....		
	Seal .....	550270	1993-1988 3 Spd. Trans.:		
	Bearing .....	[2] GRW152	Seal .....		
1991-1988 Vista:			(Speedi-Sleeve) .....		
	Seal .....	550270	1993-1989 4 Spd. W4A32-1 Transaxle:		
	Bearing .....	[2] GRW164	Seal (L.H.) .....		
<b>Pinion</b>			(Speedi-Sleeve) (L.H.) .....		
<b>Rear Axle</b>			Seal (R.H.) .....		
1993-1992 2000GTX:			1993-1989 4 Spd. Transaxle Exc. W4A32-1:		
	Seal .....	13876	Seal .....		
	(Speedi-Sleeve) .....	99138	(Speedi-Sleeve) .....		
	Bearing (Inner) .....	BR32207	1993-1988 3 Spd. Trans.:		
	Bearing (Outer) .....	BR30305	Seal .....		
			(Speedi-Sleeve) .....		
			14006		
			99139		
			14028		
			14006		
			99139		
			14006		
			99139		
			(Continued)		

MFG./YEAR	MODEL & LOCATION	PART NO.	MFG./YEAR	MODEL & LOCATION	PART NO.
<b>Transaxle-Automatic (Cont.)</b>			<b>Transaxle-Manual (Cont.)</b>		
<b>Rear Extension</b>			<b>Shift Shaft (Cont.)</b>		
1993-1992	4 Spd. W4A32-1 Trans.:		1992-1988	4 Spd. Trans.:	
	Seal .....	12735		Seal .....	7003
	(Speedi-Sleeve) .....	99128		(Speedi-Sleeve) .....	99082
<b>Transfer Shaft</b>			<b>Alternator</b>		
1993-1992	4 Spd. F4A21-2 Trans.:		1993-1988	65 Amp.:	
	Bearing .....	BR30207		Bearing (Rear) .....	6302-2RSJ
1993-1990	3 Spd. F3A21-2 Trans.:		<b>Engine</b>		
	Bearing .....	BR30207	<b>Balance Shaft</b>		
1990-1988	3 Spd. Transaxle Exc. F3A21-2:		1993-1989	2.0L Eng.:	
	Bearing (Inner) .....	BR30206		Seal .....	9706
	Bearing (Outer) .....	BR30304		(Speedi-Sleeve) .....	99098
<b>Transaxle-Manual</b>			1988	1.6L Eng.:	
<b>Countershaft</b>				Seal .....	10930
1989-1988	4 Spd. KM200-0 Trans.:			(Speedi-Sleeve) .....	99111
	Bearing .....	6108-A	<b>Camshaft</b>		
<b>Differential</b>			1993-1988	All:	
1993-1988	5 Spd. Exc. KM206, F5M22-1 & KM206-0 Trans.:			Seal .....	13943
	Bearing .....	[2] 6207-J		(Speedi-Sleeve) .....	99139
1993-1988	5 Spd. KM206, F5M22-1 & KM206-0 Transaxles:		<b>Crankshaft-Rear</b>		
	Bearing .....	[2] BR30207	1993-1989	1.6L, 1.8L & 2.0L Eng. w/DOHC:	
1992-1989	4 Spd. F4M21-1 Trans.:			Seal .....	31129
	Bearing .....	[2] 6207-J		(Speedi-Sleeve) .....	99312
1989-1988	4 Spd. KM200-0 Trans.:		1993-1988	1.5L & 1.6L Eng. w/o DOHC:	
	Bearing .....	[2] BR30207		Seal .....	28308
<b>Input Shaft</b>				(Speedi-Sleeve) .....	99284
1993-1989	w/o F5M22-1 Trans.:		<b>Oil Pump</b>		
	Seal .....	9706	1989	1.6L Eng.:	
	(Speedi-Sleeve) .....	99098		Seal .....	6610
1992-1990	F5M22-1 Trans.:			(Speedi-Sleeve) .....	99068
	Seal .....	9705	<b>Timing Belt and Tensioner Kit</b>		
	(Speedi-Sleeve) .....	99098	1992-1991	2000GTX w/2.0L Eng.:	
1992-1988	4 Spd. Trans.:			Belt & Tensioner Kit .....	VKMA95009
	Seal .....	9706	1990-1989	Vista w/1.5L Eng.:	
	(Speedi-Sleeve) .....	99098		Belt & Tensioner Kit .....	VKMA92001
1988	5 Spd. Trans.:		<b>Timing Cover</b>		
	Seal .....	9706	1993-1988	1.6L & 2.0L Eng.:	
	(Speedi-Sleeve) .....	99098		Seal .....	17629
	Bearing .....	6304-J		(Speedi-Sleeve) .....	99177
<b>Output Shaft</b>			1992-1988	1.5L Eng.:	
1993-1992	5 Spd. W5M31-2 Trans.:			Seal .....	11671
	Seal (L.H.) .....	14006		(Speedi-Sleeve) .....	99114
	(Speedi-Sleeve) (L.H.) .....	99139	<b>Steering-Power</b>		
	Seal (R.H.) .....	11592	<b>Pump Shaft</b>		
	(Speedi-Sleeve) (R.H.) .....	99114	1993-1991	2000GTX:	
1993-1988	5 Spd. Exc. W5M31-2 Trans.:			Seal .....	7475
	Seal .....	14006	<b>Worm Shaft</b>		
	(Speedi-Sleeve) .....	99139	1993-1989	All:	
	Bearing .....	[2] BR30206		Seal .....	6141
1992-1988	4 Spd. Trans.:		<b>Steering-Standard</b>		
	Seal .....	14006	<b>Pitman Shaft</b>		
	(Speedi-Sleeve) .....	99139	1992-1988	Vista:	
	Bearing .....	[2] BR30206		Seal .....	6624
<b>Shift Shaft</b>					
1993-1988	5 Spd. Trans.:				
	Seal .....	7003			
	(Speedi-Sleeve) .....	99082			

**Edsel**

MFG./YEAR	MODEL & LOCATION	PART NO.	MFG./YEAR	MODEL & LOCATION	PART NO.
<b>Wheel Front</b>			<b>Transmission-Automatic (Cont.)</b>		
<b>1960-1958 All:</b>			<b>Rear (Cont.)</b>		
Seal		19221	<b>1960-1958 w/o Mile-O-Matic:</b>		
Bearing (Inner)		BR6	Seal (w/Boot)		16725
(Set Components)	LM67048/LM67010		(Speedi-Sleeve) (w/Boot)		99168
Bearing (Outer)		BR2	(Speedi-Sleeve) /Seal Kit (w/Boot)		480168
(Set Components)	LM11949/LM11910		Seal (w/o Boot)		16871
			(Speedi-Sleeve) (w/o Boot)		99168
<b>Wheel Rear</b>			<b>1959-1958 All:</b>		
<b>1960-1959 Exc. Sta. Wgn.:</b>			Seal (w/Boot)		16725
Seal		13738	(Speedi-Sleeve) (w/Boot)		99168
Sealed Bearing w/Lock Ring		RW207-CCRA	(Speedi-Sleeve) /Seal Kit (w/Boot)		480168
<b>1960-1959 Sta. Wgn.:</b>			Seal (w/o Boot)		15005
Seal		15142	(Speedi-Sleeve) (w/o Boot)		99149
Sealed Bearing w/Lock Ring		88128-R	(Speedi-Sleeve) /Seal Kit (w/o Boot)		480152
<b>1958 All:</b>			<b>Transmission-Manual</b>		
Seal		15142	<b>Front</b>		
Sealed Bearing w/Lock Ring		88128-R	<b>1960-1959 w/o 352 Eng.:</b>		
<b>Pinion</b>			Seal		11123
<b>1960-1959 All:</b>			(Speedi-Sleeve)		99112
Seal		18833	Bearing		6207-NRJ
(Speedi-Sleeve)		99181	<b>1960-1959 352 Eng.:</b>		
Bearing (Front)		BR52	Seal		11123
(Set Components)	M88048/M88010		(Speedi-Sleeve)		99112
Bearing (Pilot)		R1535-TAV	Bearing		6208-ZNRJ
Bearing (Rear)		BR52	<b>1958 All:</b>		
(Set Components)	M88048/M88010		Seal		11123
<b>1958 All:</b>			(Speedi-Sleeve)		99112
Seal		18276	Bearing		6307-NRJ
Bearing (Front)		BR52	<b>Mainshaft Pilot</b>		
(Set Components)	M88048/M88010		<b>1960-1959 All:</b>		
Bearing (Pilot)		R1535-TAV	Bearing	[15]	QBR23549
Bearing (Rear)		BR52	<b>1958 All:</b>		
(Set Components)	M88048/M88010		Bearing	[16]	W1518-Q
<b>Differential</b>			<b>Rear</b>		
<b>1960-1959 All:</b>			<b>1960-1959 All:</b>		
Bearing		BR35	Seal		15005
(Set Components)	LM501349/LM501310		(Speedi-Sleeve)		99149
<b>1958 All:</b>			(Speedi-Sleeve/Seal Kit)		480152
Bearing		BR37	Bearing		6207-J
(Set Components)	LM603049/LM603011		<b>1958 All:</b>		
<b>Clutch</b>			Seal		16871
<b>Release</b>			(Speedi-Sleeve)		99168
<b>1960-1959 All:</b>			Bearing		6207-J
Bearing Assembly		N1444	<b>Air Conditioning Clutch</b>		
(Self-Aligning)		N1444-SA	<b>1960 All:</b>		
<b>Transmission-Automatic</b>			Bearing		5106-WCC
<b>Front Pump</b>			<b>Engine</b>		
<b>1960 w/o Mile-O-Matic:</b>			<b>Timing Cover</b>		
Seal		19240	<b>1960-1958 All:</b>		
(Speedi-Sleeve)		99193	Seal (Viton)		18546
<b>1960-1958 Mile-O-Matic:</b>			Seal		18562
Seal		19807	(Speedi-Sleeve)		99187
(Speedi-Sleeve)		99199	<b>Generator</b>		
(Speedi-Sleeve/Seal Kit)		480198	<b>1960-1958 All:</b>		
<b>Rear</b>			Bearing (Front)		6203-2RSJ
<b>1960 Mile-O-Matic:</b>			Bearing (Rear)		6200-2RSJ
Seal		14978			(Continued)
(Speedi-Sleeve)		99149			
(Speedi-Sleeve/Seal Kit)		480148			



MFG./YEAR	MODEL & LOCATION	PART NO.	MFG./YEAR	MODEL & LOCATION	PART NO.
<b>Steering-Power</b>			<b>Steering-Standard</b>		
<b>Pitman Shaft</b>			<b>Pitman Shaft</b>		
1960-1959	All:		1960-1958	All:	
Seal		11065	Seal		11065
1958	All:				
Seal		12363			
<b>Pump Shaft</b>					
1960-1958	All:				
Seal		7440			

**Ferrari**

<b>Wheel Front</b>			<b>Pinion (Cont.)</b>		
1984	400i & BB512i:		1983-1976	308GTB, 308GTS & Dino 308GT4:	
Bearing (Inner)		BR5	Bearing (Front)		BR28300
(Set Components)		LM48548/LM48510	Bearing (Rear)		M802048/M802011
Bearing (Outer)		BR16	<b>Differential</b>		
(Set Components)		LM12749/LM12711	1984-1976	All:	
1983-1980	308GTB, 308GTS, Dino 308GT4, BB512 & BB512i:		Bearing		368-A/362-A
Bearing (Inner)		BR6	<b>Engine</b>		
(Set Components)		LM67048/LM67010	<b>Timing Belt Idler</b>		
Bearing (Outer)		BR2	1983	308GTB & Dino 308GT4:	
(Set Components)		LM11949/LM11910	Bearing & Housing Assy.		VKM22380
1979-1976	308GTB & Dino 308GT4:				
Bearing (Inner)		BR5			
(Set Components)		LM48548/LM48510			
Bearing (Outer)		BR12580/BR12520			
<b>Pinion</b>					
1984	400i:				
Bearing (Front)		BR27880/BR27820			
Bearing (Rear)		M802048/M802011			
1984-1980	BB512 & BB512i:				
Bearing (Front)		BR28300			
Bearing (Rear)		M802048/M802011			

**Fiat**

<b>Wheel Front</b>			<b>Wheel Front (Cont.)</b>		
1984-1979	128 From 4/79:		1975-1966	124, 124 Special & Sport:	
Sealed Bearing		B33	Seal		15522
1983-1979	X1/9:		Bearing (Inner)		15579-X/BR15520
Seal		9705	Bearing (Outer)		BR2
Bearing (Inner)		B33	(Set Components)		LM11949/LM11910
1982-1978	Strada:		1973-1971	X1/9 & 128 Thru 4/73:	
Seal		9705	Sealed Bearing		GRW120
Bearing (Inner)		B33	1973-1966	850:	
1982-1977	124 Sport:		Seal		13951
Seal		15522	1971-1961	770 First Series, 500 Giardiniera:	
Bearing (Inner)		15579-X/BR15520	Seal		13951
Bearing (Outer)		BR2	1969-1963	1500:	
(Set Components)		LM11949/LM11910	Bearing (Inner)		BR6
1982-1975	Brava & 131:		(Set Components)		LM67048/LM67010
Seal		16061	Bearing (Outer)		BR2
Bearing (Inner)		BR28	(Set Components)		LM11949/LM11910
Bearing (Outer)		BR2			(Continued)
(Set Components)		LM11949/LM11910			
1978-1977	X1/9:				
Seal		9705			
Sealed Bearing		GRW120			

Fiat -- (Cont.)

MFG./YEAR	MODEL & LOCATION	PART NO.	MFG./YEAR	MODEL & LOCATION	PART NO.
<b>Wheel Front (Cont.)</b>			<b>Clutch</b>		
1968-1963	1100/103D, E From Eng. 014641:		<b>Release</b>		
	Seal .....	13951	1982-1975	131:	
	Bearing (Inner) .....	BR6		Bearing Assembly .....	N3036
	(Set Components) .....	LM67048/LM67010	1980-1969	124:	
	Bearing (Outer) .....	BR2		Bearing Assembly .....	N3031
	(Set Components) .....	LM11949/LM11910	<b>Transmission-Automatic</b>		
1967-1956	600, 600D & Multipla Thru Eng. 032973:		<b>Front Pump</b>		
	Seal .....	13951	1978-1973	124 & 131:	
<b>Wheel Rear</b>				Seal .....	18692
1976-1975	131:			(Speedi-Sleeve) .....	99187
	Seal .....	11615		(Speedi-Sleeve/Seal Kit) .....	480187
1976-1966	124, 124 Special & Sport From Chas. 069548:		<b>Output Shaft</b>		
	Seal .....	11615	1981-1980	Strada:	
1975-1971	X1/9, 128 & 128SL:			Seal .....	14045
	Seal (Inner) .....	9708		(Speedi-Sleeve) .....	99146
	Sealed Bearing .....	GRW120	<b>Transmission-Manual</b>		
1973-1966	850 From Chas. 187048:		<b>Countershaft</b>		
	Seal (Inner) .....	13951	1966-1954	600:	
	Seal (Outer) .....	16509		Bearing (Front) .....	6004-J
	Bearing (Inner) .....	6305-J		Bearing (Rear) .....	6205-J
1973-1966	850 Thru Chas. 187047:		<b>Front</b>		
	Seal .....	14705	1982-1977	124 Spyder:	
	Bearing (Inner) .....	6305-J		Seal .....	10958
1970-1956	500D From Chas. 623863; 500 Giardiniera From Chas. 116599; 600D From Chas. 1726604:			(Speedi-Sleeve) .....	99111
	Seal .....	14705	1982-1974	Strada, X1/9 & 128:	
1970-1956	600DM From Chas. 119754; 600 Type 200 From Chas. 032604:			Seal .....	8550
	Seal (Outer) .....	14705		(Speedi-Sleeve) .....	99085
	Bearing .....	BR07100/BR07204	<b>Rear</b>		
1968-1957	1100/103D, 1100/103H, 1100R & 1200:		1982-1973	124 & 124 Spyder:	
	Seal (Inner) .....	11429		Seal .....	12760
	Seal (Outer) .....	15835		(Speedi-Sleeve) .....	99128
	Bearing .....	6206-J	1963-1954	600:	
1967-1956	600, 600D, 600DM, 600M:			Bearing .....	6303-J
	Seal (Inner) .....	9708	<b>Engine</b>		
	Bearing .....	BR07100/BR07204	<b>Camshaft</b>		
1966	124, 124 Special & Sport Thru Chas. 069547:		1982-1973	All:	
	Seal .....	11429		Seal .....	11640
1966-1963	1500 Cabriolet:			(Speedi-Sleeve) .....	99114
	Seal (Outer) .....	15835	<b>Crankshaft-Rear</b>		
	Bearing .....	6206-J	1982-1977	124 Sport:	
<b>Pinion</b>				Seal .....	27740
1982-1973	124 & 131:			(Speedi-Sleeve) .....	99276
	Seal .....	14065	1976-1970	124 & 131:	
	(Speedi-Sleeve) .....	99146		Seal .....	27292
1972-1969	131:			(Speedi-Sleeve) .....	99274
	Bearing .....	HM89443/HM89410	<b>Timing Cover</b>		
1966-1954	600:		1982-1971	Strada, X1/9, 128 & 128SL:	
	Bearing .....	6205-J		Seal .....	15826
<b>Differential</b>				(Speedi-Sleeve) .....	99157
1966-1959	1800 & 2100:		1982-1966	124, 124 Special, 124 Sport & 131:	
	Bearing .....	BR16150/BR16282		Seal .....	15826
1966-1956	1400 & 1900:			(Speedi-Sleeve) .....	99157
	Bearing .....	BR16150/BR16282	<b>Generator</b>		
			1966-1957	1500:	
				Bearing (Front) .....	6302-J
			1966-1954	1100, 1200 & 600:	
				Bearing (Front) .....	6201-J

MFG./YEAR	MODEL & LOCATION	PART NO.	MFG./YEAR	MODEL & LOCATION	PART NO.
<b>Wheel Front</b>			<b>Transaxle-Manual (Cont.)</b>		
1995-1988 All:			<b>Input Shaft</b>		
	Seal (Inner) .....	20427	1995-1988 All:		
	Seal (Outer) .....	20205		Seal .....	8545
	Bearing .....	[4] BR11		(Speedi-Sleeve) .....	99085
	(Set Components) .....	JL69349/JL69310		Bearing (Front) .....	62/22-2RSJ
<b>Axle Shaft</b>				Bearing (Rear) .....	6304-2RSJ
1995-1990 All:			<b>Output Shaft</b>		
	Seal .....	14129	1995-1994 Aspire:		
<b>Wheel Rear</b>				Bearing (Front) .....	BR3
1995-1988 All:				(Set Components) .....	M12649/M12610
	Bearing (Inner) .....	BR4		Bearing (Rear) .....	BR32204
	(Set Components) .....	L44649/L44610	1993-1988 Festiva:		
	Bearing (Outer) .....	BR1		Seal .....	14129
	(Set Components) .....	LM11749/LM11710		(Speedi-Sleeve) .....	99139
<b>Axle Shaft</b>				Bearing (Front) .....	BR3
1993-1988 Festiva:				(Set Components) .....	M12649/M12610
	Seal .....	15445		Bearing (Rear) .....	BR32204
<b>Spindle Hub</b>			<b>Shift Shaft</b>		
1995-1994 Aspire:			1995-1988 All:		
	Seal .....	14832		Seal .....	◇6413
<b>Clutch</b>				(Superseded by:)	6913
<b>Pilot</b>			<b>Alternator</b>		
1995-1988 All:			1995-1994 Aspire:		
	Bearing .....	6202-2ZJ		Bearing (Front) .....	6303-2RSJ
<b>Release</b>				Bearing (Rear) .....	6302-2RSJ
1995-1988 All:			1993-1990 Festiva:		
	Bearing Assembly .....	N4055		Bearing (Front) .....	AB10
<b>Transaxle-Automatic</b>				Bearing (Rear) .....	AB4
<b>Differential</b>			1989-1988 All:		
1995-1994 Aspire:			Bearing (Front) .....		
	Bearing .....	[2] BR17	6302-2RSJ		
	(Set Components) .....	L68149/L68111	<b>Engine</b>		
1993-1990 Festiva:			<b>Camshaft</b>		
	Bearing .....	[2] BR17	1995-1988 All:		
	(Set Components) .....	L68149/L68111		Seal .....	11612
1989-1988 Festiva:				(Speedi-Sleeve) .....	99114
	Bearing .....	BR13	<b>Crankshaft-Rear</b>		
	(Set Components) .....	L68149/L68110	1995-1988 All:		
<b>Input Shaft</b>				Seal .....	32715
1995-1988 All:			<b>Timing Belt Tensioner</b>		
	Seal .....	17790	1995-1988 All:		
	(Speedi-Sleeve) .....	99177		Bearing & Housing Assy. ....	VKM74200
<b>Output Shaft</b>			<b>Timing Belt and Tensioner Kit</b>		
1993-1988 Festiva:			1995-1990 All:		
	Seal .....	20205		Belt & Tensioner Kit .....	VKMA44002
	Bearing .....	BR32006	<b>Timing Cover</b>		
<b>Transaxle-Manual</b>			1995-1992 81 (1.3L) Eng. From 2/1/92:		
<b>Differential</b>			Seal .....		
1995-1988 All:			14477		
	Bearing .....	[2] BR13	1992-1988 81 (1.3L) Eng. Thru 2/1/92:		
	(Set Components) .....	L68149/L68110		Seal .....	11612
				(Speedi-Sleeve) .....	99114

## Passenger cars, light & medium trucks

### Ford (FWD) Contour

MFG./YEAR	MODEL & LOCATION	PART NO.	MFG./YEAR	MODEL & LOCATION	PART NO.
<b>Wheel Front</b>			<b>Engine (Cont.)</b>		
1995	All:		<b>Accessory Drive Belt Idler</b>		
	Sealed Bearing .....	FW177	1995	2.0L & 2.5L Engs.:	
	C-Clip .....	CIR177		Bearing (Pulley) .....	VKM900022
	Hub Assembly (Kit) .....	BR930511K	<b>Timing Belt Idler</b>		
<b>Wheel Rear</b>			1995	122 (2.0L) Eng.:	
1995	All:			Bearing & Housing Assy. (48mm O.D.) .....	VKM64002
	Hub Assembly .....	BR930150		Bearing & Housing Assy. (60mm O.D.) .....	VKM64001
<b>Transaxle-Automatic</b>			<b>Timing Belt Tensioner</b>		
<b>Input Shaft</b>			1995	2.0L Eng.:	
1995	All:			Bearing & Housing Assy. (Lower) .....	VKM64001
	Seal .....	21410		Bearing & Housing Assy. (Upper) .....	VKM54003
<b>Transaxle-Manual</b>			<b>Timing Belt and Tensioner Kit</b>		
<b>Input Shaft</b>			1995	122 (2.0L) Eng.:	
1995	All:			Belt & Tensioner Kit .....	VKMA44004
	Bearing (Front) .....	BR85	<b>Timing Cover</b>		
	Bearing (Rear) .....	BR32205	1995	122 (2.0L) Eng.:	
<b>Shift Shaft</b>				Seal (Silicone) .....	13943
1995	All:			(Speedi-Sleeve) (Silicone) .....	99139
	Seal .....	↗6413		Seal (Teflon) .....	13716
	(Superseded by:)	6913		(Speedi-Sleeve) (Teflon) .....	99139
<b>Air Conditioning Clutch</b>			1995	153 (2.5L) Eng.:	
1995	All:			Seal .....	18757
	Bearing .....	5106-WCC		(Speedi-Sleeve) .....	99187
<b>Engine</b>			<b>Steering-Power</b>		
<b>Camshaft</b>			<b>Pitman Shaft</b>		
1995	122 (2.0L) Eng.:		1995	All:	
	Seal .....	16487		Seal .....	11407
1995	153 (2.5L) Eng.:		<b>Worm Shaft</b>		
	Seal .....	10598	1995	All:	
	(Speedi-Sleeve) .....	99106		Bearing .....	6000-2RSJ
<b>Crankshaft-Rear</b>					
1995	122 (2.0L) Eng.:				
	Seal .....	34611			
1995	153 (2.5L) Eng.:				
	Seal .....	36147			
	(Speedi-Sleeve) .....	99362			

### Ford (FWD) Escort, EXP, Tempo

<b>Wheel Front</b>			<b>Wheel Front (Cont.)</b>		
1995-1994	Escort & ZX2:		1983-1981	Escort & EXP Thru 1/83:	
	Seal .....	22454		Seal (Inner) .....	21610
	Sealed Bearing .....	FW143		Seal (Outer) .....	19605
	C-Clip .....	CIR143		Bearing .....	[2] BR24
1994-1984	Tempo:		<b>Axle Shaft</b>		
	Seal .....	19793	1995-1991	Escort & ZX2:	
	Sealed Bearing .....	FW113		Seal (Inner) .....	22454
	C-Clip .....	CIR113		Seal (Outer) .....	14006
	Hub Assembly (Kit) .....	BR930153K	<b>Wheel Rear</b>		
1993-1991	Escort:		1995-1991	Escort & ZX2 w/o 4 Whl. ABS:	
	Seal .....	22454		Hub Assembly .....	BR930043
	Sealed Bearing .....	FW143		(Continued)	
	C-Clip .....	CIR143			
1990-1983	Escort & EXP From 2/83:				
	Seal .....	19793			
	Sealed Bearing .....	FW113			
	C-Clip .....	CIR113			
	Hub Assembly (Kit) .....	BR930153K			

MFG./YEAR	MODEL & LOCATION	PART NO.	MFG./YEAR	MODEL & LOCATION	PART NO.
<b>Wheel Rear (Cont.)</b>			<b>Clutch (Cont.)</b>		
<b>1994-1984 Tempo w/o A.W.D.:</b>			<b>Release (Cont.)</b>		
	Seal .....	15746	1983	4 Spd. Ford RGT-AE, AH & AL Trans.:	
	Bearing (Inner) .....	BR8		Bearing Assembly .....	N4021-SA
	(Set Components) .....	L45449/L45410	1982-1981	4 Spd. Trans.:	
	Bearing (Outer) .....	BR12		Bearing Assembly .....	N4020-SA
	(Set Components) .....	LM12749/LM12710	<b>Transaxle-Automatic</b>		
<b>1991-1987 Tempow/A.W.D.:</b>			<b>Differential</b>		
	Sealed Bearing .....	GRW183	1995	Escort:	
<b>1990-1984 Escort &amp; EXP:</b>				Bearing .....	BR17
	Seal .....	15746		(Set Components) .....	L68149/L68111
	Bearing (Inner) .....	BR8	1994-1991	Tempo:	
	(Set Components) .....	L45449/L45410		Bearing .....	[2] 6208-J
	Bearing (Outer) .....	BR12	1991	Escort Thru 5/1/91:	
	(Set Components) .....	LM12749/LM12710		Bearing .....	[2] BR17
<b>1983-1981 All:</b>				(Set Components) .....	L68149/L68111
	Seal .....	15746	1990-1984	All:	
	Bearing (Inner) .....	BR8		Bearing .....	[2] 6208-J
	(Set Components) .....	L45449/L45410	1983	Ball Brg.:	
	Bearing (Outer) .....	BR1		Bearing .....	[2] 6208-J
	(Set Components) .....	LM11749/LM11710	1983-1981	Tapered Brg.:	
<b>Axle Shaft</b>				Bearing .....	[2] BR35
<b>1991-1987 Tempow/A.W.D.:</b>				(Set Components) .....	LM501349/LM501310
	Seal .....	13750	<b>Input Shaft</b>		
	Bearing .....	BH2212	1995-1991	Escort:	
<b>Pinion</b>				Seal .....	26379
<b>Rear Axle</b>			1994-1991	Tempo:	
<b>1991-1987 Tempow/A.W.D.:</b>				Seal .....	23450
	Seal .....	13562		(Speedi-Sleeve) .....	99235
	(Speedi-Sleeve) .....	99138	1990-1981	All:	
	Bearing .....	[2] M86649/M86610		Seal .....	23450
<b>Differential</b>				(Speedi-Sleeve) .....	99235
<b>Rear Axle</b>			<b>Output Shaft</b>		
<b>1991-1987 Tempow/A.W.D.:</b>			1995-1991	Escort:	
	Bearing .....	[2] BR11		Bearing .....	[2] BR17
	(Set Components) .....	JL69349/JL69310		(Set Components) .....	L68149/L68111
<b>Clutch</b>			1994-1991	Tempo:	
<b>Pilot</b>				Seal .....	16901
1995-1991	Escort w/1.9L & 2.0L Engs.:			(Speedi-Sleeve) .....	99169
	Bearing .....	FC65354	1990-1981	All:	
1995-1991	Escort w/1.8L Eng.:			Seal .....	16901
	Bearing .....	6202-2ZJ		(Speedi-Sleeve) .....	99169
<b>Release</b>			<b>Shift Shaft</b>		
1995-1991	Escort w/109 (1.8L) Eng.:		1994-1991	Tempo:	
	Bearing Assembly .....	N4067		Seal .....	9818
1995-1991	Escort w/116 (1.9L) Eng.:			(Speedi-Sleeve) .....	99100
	Bearing Assembly .....	N4115	1990-1981	All:	
1994-1989	Tempo w/o Repair Sleeve:			Seal .....	9818
	Bearing Assembly .....	N4060		(Speedi-Sleeve) .....	99100
1994-1989	Tempo w/Repair Sleeve:		<b>Transaxle-Manual</b>		
	Bearing Assembly .....	N4014	<b>Countershaft</b>		
1990-1988	Escort w/o Repair Sleeve:		1994-1991	Tempo:	
	Bearing Assembly .....	N4060		Bearing .....	[2] BR16
1990-1988	Escort w/Repair Sleeve:			(Set Components) .....	LM12749/LM12711
	Bearing Assembly .....	N4014	1990	Escort:	
1988	Tempo:			Bearing .....	BR16
	Bearing Assembly .....	N4021-SA		(Set Components) .....	LM12749/LM12711
1987-1984	All:		1990-1983	5 Spd. Ford RWB Trans.:	
	Bearing Assembly .....	N4021-SA		Bearing .....	[2] BR16
1983	4 Spd. Ford RGT-AC & AG Trans.:			(Set Components) .....	LM12749/LM12711
	Bearing Assembly .....	N4020-SA			(Continued)

Ford (FWD) Escort, EXP, Tempo -- (Cont.)

MFG./YEAR	MODEL & LOCATION	PART NO.	MFG./YEAR	MODEL & LOCATION	PART NO.
<b>Transaxle-Manual (Cont.)</b>			<b>Transaxle-Manual (Cont.)</b>		
<b>Differential</b>			<b>Output Shaft (Cont.)</b>		
1995-1991	Escort w/o 109 (1.8L) Eng.:		1994-1991	Escort w/116 (1.9L) Eng. Thru 11/1/93:	
	Bearing ..... [2] BR17		Seal ..... 14129		
	(Set Components) ..... L68149/L68111		(Speedi-Sleeve) ..... 99139		
1995-1991	Escort w/109 (1.8L) Eng.:		Bearing (Front) ..... 6205-VSP25		
	Bearing ..... [2] 32008-X		Bearing (Rear) ..... 63/28-2RSN		
1994-1992	Tempo w/181 (3.0L) Eng.:		1994-1991	Tempo w/140 (2.3L) Eng.:	
	Bearing ..... [2] BR53		Seal ..... 16901		
1994-1983	Four Pinion Diff. Exc. '94-91 Escort:		(Speedi-Sleeve) ..... 99169		
	Bearing ..... [2] BR37		Bearing ..... [2] BR30		
	(Set Components) ..... LM603049/LM603011		1990-1981	4 Spd. Ford RGT & RJS Trans.:	
1994-1981	Two Pinion Diff. Exc. '94-91 Escort:		Seal ..... 16901		
	Bearing ..... [2] BR35		(Speedi-Sleeve) ..... 99169		
	(Set Components) ..... LM501349/LM501310		Bearing ..... [2] BR30		
<b>Input Shaft</b>			1989	5 Spd. Ford RWB Trans.:	
1995-1991	Escort w/109 (1.8L) & 122 (2.0L) Engs.:		Seal ..... 16901		
	Seal ..... 10661		(Speedi-Sleeve) ..... 99169		
	(Speedi-Sleeve) ..... 99106		Bearing (Front) ..... BR30		
	Bearing (Front) ..... BR32		1988-1983	5 Spd. Ford RWB Trans.:	
	Bearing (Rear) ..... BR88		Seal ..... 16901		
1995-1991	Escort w/116 (1.9L) Eng.:		(Speedi-Sleeve) ..... 99169		
	Seal ..... 9514		Bearing ..... [2] BR30		
	(Speedi-Sleeve) ..... 99092		<b>Shift Shaft</b>		
	Bearing (Front) ..... 6205-VSP25		1995-1991	Escort:	
	Bearing (Rear) ..... 63/28-2RSN		Seal ..... ◇6413		
1994-1992	Tempo w/181 (3.0L) Eng.:		(Superseded by) ..... 6913		
	Seal ..... 11111		1994-1991	Tempo:	
	(Speedi-Sleeve) ..... 99112		Seal ..... 6103		
	Bearing (Rear) ..... LM67049-A/LM67010		(Speedi-Sleeve) ..... 99059		
1994-1990	Tempo w/140 (2.3L) Eng.:		1990-1981	All:	
	Seal ..... 11111		Seal ..... 6103		
	(Speedi-Sleeve) ..... 99112		(Speedi-Sleeve) ..... 99059		
	Bearing ..... [2] LM67049-A/LM67010		<b>Transfer Case</b>		
1990-1985	4 Spd. Ford RJS Trans.:		<b>Input Shaft</b>		
	Seal ..... 11111		1991-1987	Tempow/A.W.D.:	
	(Speedi-Sleeve) ..... 99112		Bearing ..... [2] BR2		
	Bearing ..... [2] LM67049-A/LM67010		(Set Components) ..... LM11949/LM11910		
1989	5 Spd. Ford RWB Trans.:		Bearing (Gear) ..... 6206-NJ		
	Seal ..... 11111		<b>Mainshaft Pilot</b>		
	(Speedi-Sleeve) ..... 99112		1991-1987	Tempow/A.W.D.:	
	Bearing (Rear) ..... LM67049-A/LM67010		Bearing ..... M881		
1988-1983	5 Spd. Ford RWB Trans.:		<b>Output Shaft</b>		
	Seal ..... 11111		1991-1987	Tempow/A.W.D.:	
	(Speedi-Sleeve) ..... 99112		Seal ..... 15502		
	Bearing ..... [2] LM67049-A/LM67010		(Speedi-Sleeve) ..... 99155		
1985-1981	4 Spd. Ford RGT Trans.:		Bearing (Front) ..... M86647/M86610		
	(Speedi-Sleeve) ..... 99103		Bearing (Rear) ..... M86649/M86610		
	Bearing ..... [2] BR30		<b>Air Conditioning Clutch</b>		
<b>Output Shaft</b>			1995-1991	FX-15 Comp.:	
1995-1991	Escort w/109 (1.8L) & 121 (2.0L) Engs.:		Bearing ..... 5106-WCC		
	Seal ..... 14129		1990-1982	All:	
	(Speedi-Sleeve) ..... 99139		Bearing ..... AC2		
	Bearing (Front) ..... BR107		<b>Alternator</b>		
	Bearing (Rear) ..... BR88		1995-1991	Escort w/109 (1.8L) Eng. From 3/91:	
1995-1994	Escort w/116 (1.9L) Eng. From 11/1/93:		Bearing (Front) ..... 6303-2RSJ		
	Bearing (Front) ..... 6205-2RSJ		Bearing (Rear) ..... AB4		
	Bearing (Rear) ..... 63/28-2RSN		1993-1989	Mitsubishi:	
1994-1992	Tempo w/181 (3.0L) Eng.:		Bearing (Rear) ..... AB4		
	Seal ..... 16901				(Continued)
	(Speedi-Sleeve) ..... 99169				
	Bearing (Front) ..... BR30				

# Passenger cars, light & medium trucks

## (Cont.) -- Ford (FWD) Escort, EXP, Tempo

MFG./YEAR	MODEL & LOCATION	PART NO.	MFG./YEAR	MODEL & LOCATION	PART NO.
<b>Alternator (Cont.)</b>			<b>Engine (Cont.)</b>		
1991	Escort w/109 (1.8L) Eng. Thru 3/91:		<b>Timing Belt and Tensioner Kit</b>		
	Bearing (Front) .....	AB10	1995-1991	110 (1.8L) Eng.:	
	Bearing (Rear) .....	AB4		Belt & Tensioner Kit .....	VKMA94201
1990-1981	Motorcraft:		1995-1991	116 (1.9L) Eng. From 3/25/91:	
	Bearing (Front) .....	6203-2RSJ		Belt & Tensioner Kit .....	VKMA44100
	Bearing (Rear) .....	MNJ471-S	1991-1986	116 (1.9L) Eng. Thru 3/25/91:	
<b>Engine</b>				Belt & Tensioner Kit .....	VKMA44000
<b>Camshaft</b>			<b>Timing Cover</b>		
1995-1991	110 (1.8L) Eng.:		1995-1992	110 (1.8L) Eng.:	
	Seal .....	13429		Seal .....	14477
	(Speedi-Sleeve) .....	99134	1995-1981	98 (1.6L) & 116 (1.9L) Eng.:	
1995-1981	98 (1.6L) & 116 (1.9L) Eng.:			Seal .....	13943
	Seal .....	16473		(Speedi-Sleeve) .....	99139
1987-1984	122 (2.0L) Diesel Eng.:		1994-1992	183 (3.0L) Eng.:	
	Seal (Front) .....	11612		Seal .....	18544
	(Speedi-Sleeve) (Front) .....	99114		(Speedi-Sleeve) .....	99187
	Seal (Rear) .....	12719	1994-1984	140 (2.3L) Eng.:	
	(Speedi-Sleeve) (Rear) .....	99128		Seal .....	17787
<b>Crankshaft-Rear</b>				(Speedi-Sleeve) .....	99177
1995-1991	110 (1.8L) Eng.:		1991	110 (1.8L) Eng.:	
	Seal .....	32715		Seal .....	11612
1995-1981	98 (1.6L) & 116 (1.9L) Eng.:			(Speedi-Sleeve) .....	99114
	Seal .....	34611	1987-1984	122 (2.0L) Diesel Eng.:	
1994-1992	183 (3.0L) Eng.:			Seal .....	13429
	Seal .....	34611		(Speedi-Sleeve) .....	99134
1994-1984	140 (2.3L) Eng.:		<b>Steering-Power</b>		
	Seal .....	34611	<b>Pitman Shaft</b>		
1987-1984	122 (2.0L) Diesel Eng.:		1995-1991	Escort w/116 (1.9L) Eng.:	
	Seal .....	35409		Seal .....	11407
	(Speedi-Sleeve) .....	99354	1994-1990	Tempo:	
<b>Accessory Drive Belt Idler</b>				Seal .....	11407
1995-1982	1.6L, 2.0L, 2.3L, 2.5L & 3.0L Eng.:		<b>Pump Shaft</b>		
	Bearing (Pulley) .....	VKM900022	1995-1981	All:	
<b>Timing Belt Idler</b>				Seal .....	6765
1995-1991	116 (1.9L) Eng.:		<b>Worm Shaft</b>		
	Bearing & Housing Assy. ....	VKM64000	1995-1991	Escort w/116 (1.9L) Eng.:	
	Bearing & Housing Assy. Kit .....	VKM64100		Bearing .....	6000-2RSJ
<b>Timing Belt Tensioner</b>			1993-1991	Tempo:	
1995-1991	110 (1.8L) Eng.:			Bearing .....	6201-2RSJ
	Bearing & Housing Assy. ....	VKM74201	1990-1981	All:	
1990-1986	116 (1.9L) Eng.:			Bearing .....	6201-2RSJ
	Bearing & Housing Assy. ....	VKM54000			
1985-1981	98 (1.6L) Eng.:				
	Bearing & Housing Assy. ....	VKM54000			

## Ford (FWD) Fiesta

### Wheel Front

1980-1978	All:	
	Seal (Inner) .....	21610
	Seal (Outer) .....	19605
	Bearing .....	[2] BR22
	(Set Components) .....	LM67045/LM67010

### Wheel Rear

1980-1978	All:	
	Seal .....	14214
	Bearing (Inner) .....	BR4
	(Set Components) .....	L44649/L44610
	Bearing (Outer) .....	BR1
	(Set Components) .....	LM11749/LM11710

(Continued)

**Ford (FWD) Fiesta -- (Cont.)**

MFG./YEAR	MODEL & LOCATION	PART NO.	MFG./YEAR	MODEL & LOCATION	PART NO.
<b>Transaxle-Manual</b>			<b>Alternator (Cont.)</b>		
<b>Differential</b>			1979-1978 55 Amp. w/Integral Regulator:		
1980-1978 All:			Bearing (Front)		6203-ZJ
Bearing	[2]	LM29749/LM29711	<b>Engine</b>		
<b>Input Shaft</b>			<b>Crankshaft-Rear</b>		
1980-1978 4 Spd. Trans.:			1980-1978 98 (1.6L) Eng.:		
Seal		8380	Seal		29868
<b>Output Shaft</b>			(Speedi-Sleeve)		99300
1980-1978 4 Spd. Trans.:			<b>Timing Cover</b>		
Seal		15819	1980-1978 98 (1.6L) Eng.:		
(Speedi-Sleeve)		99157	Seal		14212
Bearing (Rear)		6305-NRJ	(Speedi-Sleeve)		99143
<b>Alternator</b>					
1980 Bosch:					
Bearing (Front)		6203-ZJ			
Bearing (Rear)		6201-ZJ			
1980 Motorcraft:					
Bearing (Front)		6203-2RSJ			
Bearing (Rear)		MNJ471-S			
1979-1978 w/o 55 Amp. w/Integral Regulator:					
Bearing (Front)		6203-2RSJ			
Bearing (Rear)		MNJ471-S			

**Ford (FWD) Probe**

<b>Wheel Front</b>			<b>Clutch (Cont.)</b>		
1995-1993 All:			<b>Release</b>		
Seal		22454	1995-1993 122 (2.0L) & 153 (2.5L) Engs.:		
Sealed Bearing		FW166	Bearing Assembly		N4058
1992-1990 All:			1992-1990 133 (2.2L) Eng. w/o Turbo:		
Seal		22454	Bearing Assembly		N4034
Sealed Bearing		FW127	1992-1989 181 (3.0L) Eng.:		
C-Clip		CIR127	Bearing Assembly		N4067
1989 w/o Turbo:			1992-1989 133 (2.2L) Eng. w/Turbo:		
Seal		22454	Bearing Assembly		N4067
Sealed Bearing		FW127	<b>Transaxle-Automatic</b>		
C-Clip		CIR127	<b>Differential</b>		
Hub Assembly (Kit)		BR930157K	1995-1993 All:		
<b>Axle Shaft</b>			Bearing		
1995-1993 All:				[2]	32008-X
Seal		14129	1992-1989 w/o Turbo:		
Bearing		6206-2RSJ	Bearing		[2] 32008-X
1990-1989 All:			1992-1989 Turbo:		
Seal		14129	Bearing		[2] 32009-X
Bearing		6206-RSJ	<b>Input Shaft</b>		
<b>Wheel Rear</b>			1995 CD4E Transaxle:		
1995-1993 w/o ABS:			Seal		21410
Hub Assembly		BR930119	1995-1989 w/o CD4E Transaxle:		
1995-1993 ABS:			Seal		26640
Hub Assembly		BR930118	(Speedi-Sleeve)		99266
1992-1989 All:			<b>Output Shaft</b>		
Seal		16548	1995 CD4E Transaxle:		
Sealed Bearing		GRW154	Seal		16626
<b>Clutch</b>			1995-1989 w/o CD4E Transaxle:		
<b>Pilot</b>			Seal		14129
1995-1989 All:			(Speedi-Sleeve)		99139
Bearing		6202-2ZJ	(Continued)		





**Ford (FWD) Taurus (thru 1995)**

MFG./YEAR	MODEL & LOCATION	PART NO.	MFG./YEAR	MODEL & LOCATION	PART NO.
<b>Wheel Front</b>			<b>Transaxle-Manual (Cont.)</b>		
1995-1991 From 2/91:			<b>Differential</b>		
	Sealed Bearing .....	FW115	1995-1989 w/SHO Option:		
	C-Clip .....	CIR115	Bearing ..... [2] BR37		
	Hub Assembly (Kit) .....	BR930152K	(Set Components) ..... LM603049/LM603011		
1991-1986 Thru 2/91:			<b>Input Shaft</b>		
	Sealed Bearing .....	FW115	1988-1986 5 Spd. Trans.:		
	C-Clip .....	CIR115	Seal ..... 11111		
	Hub Assembly (Kit) .....	BR930151K	(Speedi-Sleeve) ..... 99112		
<b>Wheel Rear</b>			Bearing ..... [2] LM67049-A/LM67010		
1995-1993 Rr. Disc Brks. & ABS:			<b>Output Shaft</b>		
	Hub Assembly .....	BR930107	1995-1989 5 Spd. Trans.:		
1995-1990 Rr. Drum Brks. w/o ABS:			Seal ..... 16901		
	Hub Assembly .....	BR930106	(Speedi-Sleeve) ..... 99169		
1992-1990 ABS:			Bearing (Front) ..... BR30		
	Hub Assembly .....	BR930105	1988-1986 5 Spd. Trans.:		
1989-1986 All:			Seal ..... 16901		
	Seal .....	19221	(Speedi-Sleeve) ..... 99169		
	Bearing (Inner) .....	BR6	Bearing ..... [2] BR30		
	(Set Components) .....	LM67048/LM67010	<b>Shift Shaft</b>		
	Bearing (Outer) .....	BR12	1995-1986 5 Spd. Transaxle:		
	(Set Components) .....	LM12749/LM12710	Seal ..... 6103		
<b>Clutch</b>			(Speedi-Sleeve) ..... 99059		
<b>Release</b>			<b>Air Conditioning Clutch</b>		
1995-1992 w/o SHO Option:			1995-1989 All:		
	Bearing Assembly .....	N4060	Bearing ..... 5106-WCC		
1995-1989 SHO Option:			<b>Alternator</b>		
	Bearing Assembly .....	N4014	1995-1993 SHO Option w/195 (3.2L) Eng.:		
1991-1986 w/o SHO Option:			Bearing (Front) ..... AB1		
	Bearing Assembly .....	N4021-SA	1993-1989 SHO Option w/o 3.2L Eng.:		
<b>Transaxle-Automatic</b>			Bearing (Rear) ..... AB4		
<b>Differential</b>			1990-1988 232 (3.8L) Eng.:		
1995-1986 All:			Bearing (Front) ..... 6203-2RSJ		
	Bearing ..... [2] 6208-J		Bearing (Rear) ..... MNJ471-S		
<b>Front Pump</b>			1990-1986 182 (3.0L) Eng.:		
1995-1993 AX4N & AX4S Trans.:			Bearing (Front) ..... 6203-2RSJ		
	Seal ..... 19730		Bearing (Rear) ..... MNJ471-S		
<b>Input Shaft</b>			<b>Engine</b>		
1995-1986 AXOD, AXOD-E, AX4N & AX4S Trans.:			<b>Camshaft</b>		
	Seal ..... 19730		1995-1989 181 (3.0L) & 195 (3.2L) Engs. w/SHO Option:		
1992-1986 w/o AXOD Trans.:			Seal ..... 16041		
	Seal ..... 23450		(Speedi-Sleeve) ..... 99163		
	(Speedi-Sleeve) ..... 99235		<b>Crankshaft-Rear</b>		
<b>Output Shaft</b>			1995 181 (3.0L) 12 Valve Eng.:		
1995-1986 All:			Seal ..... 34611		
	Seal ..... 16901		1995-1989 181 (3.0L) & 195 (3.2L) Engs. w/SHO Option:		
	(Speedi-Sleeve) ..... 99169		Seal ..... 34116		
<b>Shift Shaft</b>			1995-1988 230 (3.8L) Eng.:		
1991-1986 w/o Ford AXOD Trans.:			Seal ..... 36147		
	Seal (Inner) ..... 9818		(Speedi-Sleeve) ..... 99362		
	(Speedi-Sleeve) (Inner) ..... 99100		1994-1986 183 (3.0L) Eng. w/o SHO Option:		
	Seal (Outer) ..... 3632		Seal ..... 34611		
<b>Transaxle-Manual</b>			1990-1986 153 (2.5L) Eng.:		
<b>Countershaft</b>			Seal ..... 34611		
1995-1986 5 Spd. Trans.:			<b>Accessory Drive Belt Idler</b>		
	Bearing ..... [2] BR16		1995-1986 2.5L, 3.0L & 3.8L Engs.:		
	(Set Components) ..... LM12749/LM12711		Bearing (Pulley) ..... VKM900022		
			(Continued)		

# Passenger cars, light & medium trucks

## (Cont.) -- Ford (FWD) Taurus (thru 1995)

MFG./YEAR	MODEL & LOCATION	PART NO.	MFG./YEAR	MODEL & LOCATION	PART NO.
<b>Engine (Cont.)</b>			<b>Steering-Power</b>		
<b>Timing Belt Tensioner</b>			<b>Pitman Shaft</b>		
1995-1989	3.0L & 3.2L SHO Eng.:		1995-1993	All:	
	Bearing & Housing Assy. ....	VKM74202		Bearing .....	FC65753
<b>Timing Cover</b>			1992-1986	All:	
1995-1986	183 (3.0L) 12 Valve Eng. w/o SHO Option:			Seal .....	11407
	Seal (Viton) .....	18544	<b>Pump Shaft</b>		
	Seal .....	18548	1995-1986	All:	
	(Speedi-Sleeve) .....	99187		Seal .....	6765
	(Speedi-Sleeve/Seal Kit) .....	480185	<b>Worm Shaft</b>		
1995-1994	233 (3.8L) Eng.:		1995-1986	All:	
	Seal .....	18577		Bearing .....	6201-2RSJ
	(Speedi-Sleeve) .....	99187	<b>Steering-Standard</b>		
1995-1989	181 (3.0L) & 195 (3.2L) Eng. w/SHO Option:		<b>Pitman Shaft</b>		
	Seal .....	16041	1992-1986	All:	
	(Speedi-Sleeve) .....	99163		Seal .....	11407
1993-1988	232 (3.8L) Eng.:				
	Seal (Viton) .....	18544			
	Seal .....	18548			
	(Speedi-Sleeve) .....	99187			
	(Speedi-Sleeve/Seal Kit) .....	480185			
1990-1986	153 (2.5L) Eng.:				
	Seal .....	17787			
	(Speedi-Sleeve) .....	99177			

## Ford (FWD) Windstar

<b>Wheel Front</b>			<b>Engine (Cont.)</b>		
1995	All:		<b>Accessory Drive Belt Idler</b>		
	Sealed Bearing .....	FW115	1995	All:	
	C-Clip .....	CIR115		Bearing (Pulley) .....	VKM900022
<b>Axle Shaft</b>			<b>Timing Cover</b>		
1995	All:		1995	232 (3.8L) Eng.:	
	Seal .....	16901		Seal .....	18577
<b>Wheel Rear</b>				(Speedi-Sleeve) .....	99187
1995	All:		1995	181 (3.0L) Eng.:	
	Seal .....	19221		Seal .....	18544
	Bearing (Inner) .....	BR6		(Speedi-Sleeve) .....	99187
	(Set Components) .....	LM67048/LM67010	<b>Steering-Power</b>		
	Bearing (Outer) .....	BR12	<b>Worm Shaft</b>		
	(Set Components) .....	LM12749/LM12710	1995	All:	
<b>Transaxle-Automatic</b>				Bearing .....	FC65753
<b>Input Shaft</b>					
1995	All:				
	Seal .....	19730			
<b>Output Shaft</b>					
1995	All:				
	Seal .....	16901			
	(Speedi-Sleeve) .....	99169			
<b>Air Conditioning Compressor</b>					
1995	All:				
	Bearing .....	5106-WCC			
<b>Engine</b>					
<b>Crankshaft-Rear</b>					
1995	232 (3.8L) Eng.:				
	Seal .....	36147			
	(Speedi-Sleeve) .....	99362			
1995	181 (3.0L) Eng.:				
	Seal .....	34611			

**Ford (RWD) British**

MFG./YEAR	MODEL & LOCATION	PART NO.	MFG./YEAR	MODEL & LOCATION	PART NO.
<b>Wheel Front</b>			<b>Wheel Rear (Cont.)</b>		
1975-1966	Corsair (V4):		1968-1959	Estate, New Anglia Saloon & New Prefect OHV	
	Bearing (Inner) .....	BR21		Seal (Inner) .....	11366
	(Set Components) .....	BR1988/BR1922	1967-1963	Consul & Cortina:	
	Bearing (Outer) .....	BR2		Bearing (Inner) .....	BR88506
	(Set Components) .....	LM11949/LM11910	1962-1956	Consul 375 Thru Eng. 271484:	
1973-1971	Cortina 1300, 1600, 2000, 2.0 & 2.3:			Seal .....	11209
	Bearing (Inner) .....	BR4	1962-1956	New Zephyr & New Zodiac Thru Eng. 264498:	
	(Set Components) .....	L44649/L44610		Seal .....	11209
	Bearing (Outer) .....	BR1	<b>Pinion</b>		
	(Set Components) .....	LM11749/LM11710	1972-1971	Cortina 1600:	
1973-1968	Escort RS2000 & Twin Cam:			Bearing (Front) .....	M86647/M86610
	Bearing (Inner) .....	BR21		Bearing (Rear) .....	HM88649/HM88610
	(Set Components) .....	BR1988/BR1922	1972-1971	Cortina 1600GT:	
	Bearing (Outer) .....	BR2		Bearing (Front) .....	HM88542/HM88510
	(Set Components) .....	LM11949/LM11910		Bearing (Rear) .....	HM89449/HM89410
1973-1968	Cortina 1600 & 1600GT:		1972-1971	Escort:	
	Bearing (Inner) .....	BR4		Bearing (Front) .....	M88043/M88010
	(Set Components) .....	L44649/L44610		Bearing (Rear) .....	M88043/M88010
	Bearing (Outer) .....	BR1	1972-1971	Zephyr & Zodiac:	
	(Set Components) .....	LM11749/LM11710		Bearing (Front) .....	HM88547/HM88510
1973-1968	Escort Deluxe & Super GT:		1966-1956	Consul:	
	Bearing (Outer) .....	BR1		Bearing (Front) .....	HM88542/HM88510
	(Set Components) .....	LM11749/LM11710	1962-1956	Zephyr & Zodiac:	
1972-1971	Escort 2000:			Bearing (Front) .....	HM88542/HM88510
	Bearing (Inner) .....	BR4		Bearing (Rear) .....	HM801346/HM801310
	(Set Components) .....	L44649/L44610	<b>Differential</b>		
	Bearing (Outer) .....	BR1	1972-1971	Zephyr & Zodiac:	
	(Set Components) .....	LM11749/LM11710		Bearing .....	[2] BR35
1972-1968	Consul, Zephyr & Zodiac:			(Set Components) .....	LM501349/LM501310
	Bearing (Inner) .....	BR21	1972-1963	Escort:	
	(Set Components) .....	BR1988/BR1922		Bearing .....	[2] BR5
	Bearing (Outer) .....	BR2		(Set Components) .....	LM48548/LM48510
	(Set Components) .....	LM11949/LM11910	1962-1960	Popular:	
1970-1967	Corsair 2000E:			Bearing .....	[2] 14138-A/BR14276
	Bearing (Inner) .....	BR21	1962-1953	Consul, Zephyr & Zodiac:	
	(Set Components) .....	BR1988/BR1922		Bearing .....	[2] BR16150/BR16283
	Bearing (Outer) .....	BR2	<b>Clutch</b>		
	(Set Components) .....	LM11949/LM11910	<b>Pilot</b>		
1970-1964	Cortina 1300, 1500 & 1500GT:		1969-1954	Anglia, Popular & Prefect:	
	Bearing (Inner) .....	BR21		Bearing .....	6303-ZJ
	(Set Components) .....	BR1988/BR1922	1962-1954	Consul, Zephyr & Zodiac:	
	Bearing (Outer) .....	BR2		Bearing .....	■ 6207-NJ
	(Set Components) .....	LM11949/LM11910	<b>Transmission-Manual</b>		
1968-1959	Popular 100C & E Thru Eng. 783799:		<b>Front</b>		
	Seal .....	12545	1968-1955	New Anglia Escort & New Prefect Squire:	
1968-1955	New Prefect Squire Thru Eng. 783799:			Seal .....	9646
	Seal .....	12545		(Speedi-Sleeve) .....	99096
1967-1960	New Anglia Escort Thru Eng. 783799:		1962-1959	Popular 100E:	
	Seal .....	12545		Seal .....	9646
	Bearing (Inner) .....	BR03062/BR03162		(Speedi-Sleeve) .....	99096
1965-1962	Cortina:				
	Seal .....	12545			
<b>Wheel Rear</b>					
1971-1968	Escort Series:				
	Seal .....	11366			
1971-1964	Consul & Corsair:				
	Seal (Inner) .....	11366			
1971-1962	Consul, Cortina & Cortina 1500:				
	Seal (Inner) .....	11366			
1968-1963	Anglia Super 1200:				
	Seal (Inner) .....	11366			

# Passenger cars, light & medium trucks

## Ford (RWD) (Full Size), Country Sedan, Country Squire, Crown Victoria, Custom, Fairlane (1961-55), Galaxie, LTD (thru 1982)

MFG./YEAR	MODEL & LOCATION	PART NO.	MFG./YEAR	MODEL & LOCATION	PART NO.
<b>Wheel Front</b>			<b>Wheel Front (Cont.)</b>		
1995-1992	All:		1956-1955	Canadian:	
	Hub Assembly	BR930060		Seal	19221
1991-1974	All:			Bearing (Inner)	BR6
	Seal	19221		(Set Components)	LM67048/LM67010
	Bearing (Inner)	BR11		Bearing (Outer)	BR2
	(Set Components)	JL69349/JL69310		(Set Components)	LM11949/LM11910
	Bearing (Outer)	BR12	1954	Canadian:	
	(Set Components)	LM12749/LM12710		Seal	16811
1973-1970	All:		1954	Exc. Sed. Del. & Sta. Wgn.:	
	Seal	19221		Seal	19221
	Bearing (Inner)	BR13		Bearing (Inner)	BR6
	(Set Components)	L68149/L68110		(Set Components)	LM67048/LM67010
	Bearing (Outer)	BR12		Bearing (Outer)	BR2
	(Set Components)	LM12749/LM12710		(Set Components)	LM11949/LM11910
1969-1968	All:		1953-1949	w/o Replacement Hubs:	
	Seal	19221		Seal	16811
	Bearing (Inner)	BR6	1953-1949	Replacement Hubs:	
	(Set Components)	LM67048/LM67010		Seal	16743
	Bearing (Outer)	BR2	1948-1940	All:	
	(Set Components)	LM11949/LM11910		Seal	15730
1967-1965	Disc Brks.:		<b>Wheel Rear</b>		
	Seal	19223	1995-1979	All:	
	Bearing (Inner)	BR5		Seal	13992
	(Set Components)	LM48548/LM48510		Bearing	R1563-TAV
	Bearing (Outer)	BR3		(Axle Repair Brg. Assy.)	• R1563
	(Set Components)	M12649/M12610	1978-1974	Roller Brg. Type w/o WER Axle:	
1967-1963	w/o Disc Brks. & Taxi:			Seal	18881
	Seal	19221		Bearing	BR20
	Bearing (Inner)	BR6	1978-1968	Ball Brg. w/o WER Axle:	
	(Set Components)	LM67048/LM67010		Seal	15142
	Bearing (Outer)	BR2		Bearing w/Lock Ring	88128-RB
	(Set Components)	LM11949/LM11910	1978-1968	8.70" Ring Gear WER Axle:	
1966-1963	Taxi:			Seal	13992
	Seal	19221		Bearing	R1563-TAV
	Bearing (Inner)	BR6		(Axle Repair Brg. Assy.)	• R1563
	(Set Components)	LM67048/LM67010	1967-1957	All:	
	Bearing (Outer)	BR2		Seal (2.378" O.D.)	13738
	(Set Components)	LM11949/LM11910		Bearing w/Lock Ring (2.378" O.D.)	RW207-CCRA
1962-1961	All:			Seal (2.506" O.D.)	15142
	Seal	19221		Bearing w/Lock Ring (2.506" O.D.)	88128-R
	Bearing (Inner)	BR6	1956-1949	Exc. Sed. Del. & Sta. Wgn.:	
	(Set Components)	LM67048/LM67010		Seal	13865
	Bearing (Outer)	BR2		Bearing	88107-AR
	(Set Components)	LM11949/LM11910	1956-1949	Sed. Del. & Sta. Wgn.:	
1960	223 (3.7L) & 292 (4.8L) Eng.:			Seal	15142
	Seal	19221		Sealed Bearing w/Lock Ring	88128-R
	Bearing (Inner)	BR6	1948-1940	All:	
	(Set Components)	LM67048/LM67010		Seal	20538
	Bearing (Outer)	BR2	<b>Pinion</b>		
	(Set Components)	LM11949/LM11910	1995-1967	7.50", 8.50" & 8.80" Ring Gears:	
1960	352 Eng. w/4 Bbl. Carb.:			Seal	18136
	Seal	20608		(Speedi-Sleeve)	99181
	Bearing (Inner)	BR6		Bearing (Front)	BR52
	(Set Components)	LM67048/LM67010		(Set Components)	M88048/M88010
	Bearing (Outer)	BR2		Bearing (Rear)	M802048/M802011
	(Set Components)	LM11949/LM11910			(Continued)
1959-1955	w/o Canadian:				
	Seal	19221			
	Bearing (Inner)	BR6			
	(Set Components)	LM67048/LM67010			
	Bearing (Outer)	BR2			
	(Set Components)	LM11949/LM11910			

**Ford (RWD) (Full Size), Country Sedan, Country Squire, Crown Victoria, Custom, Fairlane (1961-55), Galaxie, LTD (thru 1982) -- (Cont.)**

MFG./YEAR	MODEL & LOCATION	PART NO.	MFG./YEAR	MODEL & LOCATION	PART NO.
-----------	------------------	----------	-----------	------------------	----------

**Pinion (Cont.)**

<b>1978-1973</b>	<b>8.70" Ring Gear:</b>				
	Seal .....	<b>18136</b>			
	(Speedi-Sleeve) .....	99181			
	Bearing (Front) .....	<b>BR52</b>			
	(Set Components) .....	M88048/M88010			
	Bearing (Pilot) .....	<b>R1535-TAV</b>			
	Bearing (Rear) .....	<b>M802048/M802011</b>			
<b>1978-1966</b>	<b>9.00" Ring Gear:</b>				
	Seal .....	<b>18833</b>			
	(Speedi-Sleeve) .....	99181			
	Bearing .....	[2] <b>BR52</b>			
	(Set Components) .....	M88048/M88010			
	Bearing (Pilot) .....	<b>R1535-TAV</b>			
<b>1970-1968</b>	<b>9.375" Ring Gear:</b>				
	Seal .....	<b>18833</b>			
	(Speedi-Sleeve) .....	99181			
	Bearing .....	[2] <b>BR52</b>			
	(Set Components) .....	M88048/M88010			
<b>1967</b>	<b>9.375" Ring Gear:</b>				
	Seal .....	<b>18833</b>			
	(Speedi-Sleeve) .....	99181			
	Bearing (Front) .....	<b>BR52</b>			
	(Set Components) .....	M88048/M88010			
	Bearing (Rear) .....	<b>HM89444/HM89410</b>			
<b>1966</b>	<b>9.375" Ring Gear:</b>				
	Seal .....	<b>18833</b>			
	(Speedi-Sleeve) .....	99181			
	Bearing .....	[2] <b>BR52</b>			
	(Set Components) .....	M88048/M88010			
<b>1965-1964</b>	<b>390 H.D., 427 &amp; 428 Eng. From 4/6/64:</b>				
	Seal .....	<b>18833</b>			
	(Speedi-Sleeve) .....	99181			
	Bearing (Front) .....	<b>BR52</b>			
	(Set Components) .....	M88048/M88010			
	Bearing (Rear) .....	<b>HM89443/HM89410</b>			
<b>1965-1963</b>	<b>w/o 390 H.D., 427 &amp; 428 Eng.:</b>				
	Seal .....	<b>18833</b>			
	(Speedi-Sleeve) .....	99181			
	Bearing .....	[2] <b>BR52</b>			
	(Set Components) .....	M88048/M88010			
<b>1964-1963</b>	<b>390 H.D. Eng. Thru 4/5/64:</b>				
	Seal .....	<b>18833</b>			
	(Speedi-Sleeve) .....	99181			
	Bearing .....	[2] <b>BR52</b>			
	(Set Components) .....	M88048/M88010			
<b>1962-1959</b>	<b>All:</b>				
	Seal .....	<b>18833</b>			
	(Speedi-Sleeve) .....	99181			
	Bearing .....	[2] <b>BR52</b>			
	(Set Components) .....	M88048/M88010			
<b>1958-1957</b>	<b>All:</b>				
	Seal (3.006" O.D.) .....	<b>18833</b>			
	(Speedi-Sleeve) (3.006" O.D.) .....	99181			
	Seal (4.128" O.D.) .....	<b>18276</b>			
	Bearing .....	[2] <b>BR52</b>			
	(Set Components) .....	M88048/M88010			

**Pinion (Cont.)**

<b>1956-1949</b>	<b>Exc. Sed. Del. &amp; Sta. Wgn.:</b>				
	Seal .....	<b>16422</b>			
	(Speedi-Sleeve) .....	99162			
	Bearing (Front) .....	<b>HM88542/HM88510</b>			
	Bearing (Rear) .....	<b>HM89449/HM89410</b>			
<b>1956-1949</b>	<b>Sed. Del. &amp; Sta. Wgn.:</b>				
	Seal .....	<b>15788</b>			
	(Speedi-Sleeve) .....	99155			
	Bearing (Front) .....	<b>BR02872/BR02820</b>			
	Bearing (Rear) .....	<b>BR31594/BR31520</b>			

**Differential**

<b>1995-1982</b>	<b>8.80" Ring Gear:</b>				
	Bearing .....	[2] <b>BR36</b>			
	(Set Components) .....	LM603049/LM603012			
<b>1991-1979</b>	<b>8.50" Ring Gear:</b>				
	Bearing .....	[2] <b>BR36</b>			
	(Set Components) .....	LM603049/LM603012			
<b>1979-1969</b>	<b>8.70" &amp; 9.00" Ring Gears:</b>				
	Bearing .....	[2] <b>BR50</b>			
	(Set Components) .....	LM102949/LM102910			
<b>1972-1966</b>	<b>9.375" Ring Gear:</b>				
	Bearing .....	[2] <b>BR25590/BR25520</b>			
<b>1970</b>	<b>9.00" Ring Gear From 5/14/70:</b>				
	Bearing .....	[2] <b>BR50</b>			
	(Set Components) .....	LM102949/LM102910			
<b>1970-1965</b>	<b>8.50" Ring Gear:</b>				
	Bearing .....	[2] <b>BR35</b>			
	(Set Components) .....	LM501349/LM501310			
<b>1970-1965</b>	<b>9.00" Ring Gear Thru 5/13/70:</b>				
	Bearing .....	[2] <b>BR37</b>			
	(Set Components) .....	LM603049/LM603011			
<b>1964-1959</b>	<b>All:</b>				
	Bearing (2.8910" O.D.) .....	[2] <b>BR35</b>			
	(Set Components) .....	LM501349/LM501310			
	Bearing (3.0625" O.D.) .....	[2] <b>BR37</b>			
	(Set Components) .....	LM603049/LM603011			
<b>1958</b>	<b>Exc. Custom &amp; Fairlane w/6 Cyl. Eng.:</b>				
	Bearing .....	[2] <b>BR37</b>			
	(Set Components) .....	LM603049/LM603011			
<b>1958</b>	<b>Custom &amp; Fairlane w/6 Cyl. Eng.:</b>				
	Bearing .....	[2] <b>BR35</b>			
	(Set Components) .....	LM501349/LM501310			
<b>1957</b>	<b>Exc. Custom &amp; Fairlane 500 w/8 Cyl. Eng.:</b>				
	Bearing .....	[2] <b>BR37</b>			
	(Set Components) .....	LM603049/LM603011			
<b>1957</b>	<b>Custom &amp; Fairlane 500 w/8 Cyl. Eng.:</b>				
	Bearing .....	[2] <b>BR35</b>			
	(Set Components) .....	LM501349/LM501310			
<b>1956</b>	<b>Exc. Sed. Del. &amp; Sta. Wgn.:</b>				
	Bearing .....	[2] <b>BR26882/BR26822</b>			
<b>1956-1949</b>	<b>Sed. Del. &amp; Sta. Wgn.:</b>				
	Bearing .....	[2] <b>BR25577/BR25523</b>			

**Kit**

<b>1995-1987</b>	<b>8.80" Ring Gear:</b>				
	Standard Seal and Bearing Kit Rear .....	<b>SDK311</b>			
	Master Seal and Bearing Kit Rear .....	<b>SDK311-MK</b>			
<b>1986-1983</b>	<b>7.50" Ring Gear:</b>				
	Standard Seal and Bearing Kit Rear .....	<b>SDK315</b>			

(Continued)

## Passenger cars, light & medium trucks

(Cont.) -- Ford (RWD) (Full Size), Country Sedan, Country Squire, Crown Victoria, Custom, Fairlane (1961-55), Galaxie, LTD (thru 1982)

MFG./YEAR	MODEL & LOCATION	PART NO.	MFG./YEAR	MODEL & LOCATION	PART NO.
<b>Differential (Cont.)</b>			<b>Transmission-Automatic (Cont.)</b>		
<b>Kit (Cont.)</b>			<b>Front Pump (Cont.)</b>		
1982-1981	8.80" Ring Gear:		1964-1959	Ford-O-Matic 2 Spd. Trans.:	
	Standard Seal and Bearing Kit Rear	SDK311	Seal		19807
	Master Seal and Bearing Kit Rear	SDK311-MK	(Speedi-Sleeve)		99199
1980-1973	9.00" 31 spline STSP 5/11/1970 Ring Gear:		(Speedi-Sleeve/Seal Kit)		480198
	Standard Seal and Bearing Kit Rear	SDK313	1960-1951	Ford-O-Matic 3 Spd. Trans.:	
			Seal		19240
			(Speedi-Sleeve)		99193
<b>Clutch</b>			<b>Rear</b>		
<b>Pilot</b>			<b>1995 From 9/26/94:</b>		
1968-1960	352, 390, 406 & 429 Engs.:		Seal		15966
	Bearing	6303-ZJ	1994-1980	w/o A4LD, C3 & C6 Trans.:	
1968-1958	233, 240 & 292 Engs.:		Seal		14978
	Bearing	6203-ZJ	(Speedi-Sleeve)		99149
1957-1946	All:		(Speedi-Sleeve/Seal Kit)		480148
	Bearing	6203-ZJ	Seal & Bushing Kit		14982
<b>Release</b>			1991-1980	A4LD & C3 Trans.:	
1971-1970	w/o 427, 428 & 429 Engs.:		Seal		13685
	Bearing Assembly	N1444	(Speedi-Sleeve)		99138
	(Self-Aligning)	N1444-SA	1980-1965	C6 Trans.:	
	(Heavy Duty)	N1439	Seal		16725
1971-1964	427, 428 & 429 Engs.:		Seal & Bushing Kit		16727
	Bearing Only	N1087	(Speedi-Sleeve)		99168
	Bearing Assembly	N1493	(Speedi-Sleeve/Seal Kit)		480168
1969-1957	w/o H.D. Clutch w/427, 428 & 429 Engs.:		1979-1965	C4 Trans.:	
	Bearing Assembly	N1444	Seal		14978
	(Self-Aligning)	N1444-SA	Seal & Bushing Kit		14982
1969-1957	H.D. Clutch w/o 427, 428 & 429 Engs.:		(Speedi-Sleeve)		99149
	Bearing Only	N1586	(Speedi-Sleeve/Seal Kit)		480148
	Bearing Assembly	N1439	1979-1958	Cruise-O-Matic Trans.:	
1956-1952	w/o H.D. Clutch:		Seal		16725
	Bearing Only	N1181	Seal & Bushing Kit		16727
1951-1949	All:		(Speedi-Sleeve)		99168
	Bearing Only	N1181	(Speedi-Sleeve/Seal Kit)		480168
<b>Transmission-Automatic</b>			1974-1973	Borg Warner Trans.:	
<b>Front Pump</b>			Seal		16725
1995-1992	AOD-E/AODE-W & 4R70W Trans.:		(Speedi-Sleeve)		99168
	Seal	19799	(Speedi-Sleeve/Seal Kit)		480168
	(Reorder:)	+20031	1964-1960	Ford-O-Matic 2 Spd. Trans.:	
	(Speedi-Sleeve)	99196	Seal		14978
1993-1992	AOD/AOT Trans.:		Seal & Bushing Kit		14982
	Seal	19807	(Speedi-Sleeve)		99149
	(Speedi-Sleeve)	99199	(Speedi-Sleeve/Seal Kit)		480148
	(Speedi-Sleeve/Seal Kit)	480198	1959-1956	Ford-O-Matic 3 Spd. Trans.:	
1992-1980	A4LD & C3 Trans.:		Seal		16725
	Seal	16225	(Speedi-Sleeve)		99168
1991-1968	w/o A4LD, Borg Warner & C3 Trans.:		(Speedi-Sleeve/Seal Kit)		480168
	Seal	19807	<b>Shift Shaft</b>		
	(Speedi-Sleeve)	99199	1995-1973	All:	
	(Speedi-Sleeve/Seal Kit)	480198	Seal		7556
1974-1972	Borg Warner Trans.:		(Speedi-Sleeve)		99076
	Seal	19240	1972-1961	Borg Warner Trans.:	
	(Speedi-Sleeve)	99193	Seal		7556
1967-1965	Dual-Range Trans.:		(Speedi-Sleeve)		99076
	Seal	19807	1960-1958	Cruise-O-Matic Trans.:	
	(Speedi-Sleeve)	99199	Seal		7556
	(Speedi-Sleeve/Seal Kit)	480198	(Speedi-Sleeve)		99076
1967-1958	Cruise-O-Matic Trans.:		1960-1951	C4 Trans.:	
	Seal	19240	Seal		7556
	(Speedi-Sleeve)	99193	(Speedi-Sleeve)		99076

(Continued)

## Passenger cars, light & medium trucks

### Ford (RWD) (Full Size), Country Sedan, Country Squire, Crown Victoria, Custom, Fairlane (1961-55), Galaxie, LTD (thru 1982) -- (Cont.)

MFG./YEAR	MODEL & LOCATION	PART NO.	MFG./YEAR	MODEL & LOCATION	PART NO.
<b>Transmission-Manual</b>			<b>Transmission-Manual (Cont.)</b>		
<b>Countershaft</b>			<b>Front (Cont.)</b>		
1972-1960	3 Spd. Trans. w/o O/D:		1959-1957	3 Spd. Trans. w/223 & 272 Engs.:	
	Bearing ..... [50]	C1086-Q	Seal .....	11123	
1967-1965	3 Spd. Trans. w/223, 240, 260, 272, 289, 292 & O/D Engs. From 12/11/64:		(Speedi-Sleeve) .....	99112	
	Bearing ..... [44]	C407-Q	Bearing .....	■ 6207-NRJ	
<b>Front</b>			1959-1957	4 Spd. Trans. w/o 427, 428 & 429 Engs.:	
1972	3 Spd. Trans.:		Seal .....	11123	
	Seal .....	11123	(Speedi-Sleeve) .....	99112	
	(Speedi-Sleeve) .....	99112	1957	3 Spd. Trans. w/312 Eng. w/o SC:	
1971-1970	4 Spd. Ford Trans.:		Seal .....	11123	
	Seal .....	13534	(Speedi-Sleeve) .....	99112	
	(Speedi-Sleeve) .....	99138	Bearing .....	6208-ZNRJ	
	Bearing .....	6209-NRJ	1957	3 Spd. Trans. w/312 Eng. & SC:	
1971-1966	3 Spd. Trans. w/o O/D:		Seal .....	11123	
	Seal .....	11123	(Speedi-Sleeve) .....	99112	
	(Speedi-Sleeve) .....	99112	Bearing .....	6307-NRJ	
	Bearing .....	■ 6208-NJ	1957	3 Spd. Trans. w/292 Eng.:	
1969-1964	4 Spd. Ford Trans. Exc. 427, 428 & 429 Engs.:		Seal .....	11123	
	Seal .....	11123	(Speedi-Sleeve) .....	99112	
	(Speedi-Sleeve) .....	99112	Bearing .....	6208-ZNRJ	
	Bearing .....	6209-NRJ	1956	3 Spd. O/D Trans. w/312 Eng.:	
1969-1964	4 Spd. Ford Trans. w/427, 428 & 429 Engs.:		Bearing .....	6307-NRJ	
	Seal .....	13534	1956	3 Spd. Trans. w/292 Eng.:	
	(Speedi-Sleeve) .....	99138	Bearing .....	6208-ZNRJ	
	Bearing .....	6209-NRJ	1956-1955	3 Spd. Trans. w/223 & 272 Engs.:	
1967-1960	3 Spd. O/D Trans. Exc. 352 & 390 Engs.:		Bearing .....	■ 6207-NRJ	
	Seal .....	11123	<b>Mainshaft Pilot</b>		
	(Speedi-Sleeve) .....	99112	1971-1964	4 Spd. Ford Trans.:	
	Bearing .....	6208-ZNRJ	Bearing .....	[15] QBR23549	
1966-1960	4 Spd. Exc. Ford Trans.:		1971-1956	3 Spd. Trans. Exc. O/D:	
	Seal .....	11123	Bearing .....	[15] QBR23549	
	(Speedi-Sleeve) .....	99112	1965-1960	3 Spd. O/D Trans. Thru 11/22/64 w/o 352 & 390 Engs.:	
	Bearing .....	6307-NRJ	Bearing .....	[15] QBR23549	
1965-1963	3 Spd. Trans. Exc. O/D Trans. & Trans. Tagged HEE:		1965-1960	3 Spd. O/D Trans. Thru 12/10/64 w/352 & 39 Engs.:	
	Seal .....	11123	Bearing .....	[14] W1518-Q	
	(Speedi-Sleeve) .....	99112	1959-1956	3 Spd. O/D Trans. w/312, 332, 352 & 390 Engs.:	
	Bearing .....	6208-ZNRJ	Bearing .....	[14] W1518-Q	
1965-1963	3 Spd. Trans. Tagged HEE:		1955-1949	3 Spd. Trans.:	
	Seal .....	11123	Bearing .....	[15] QBR23549	
	(Speedi-Sleeve) .....	99112	<b>Rear</b>		
	Bearing .....	■ 6207-NRJ	1972-1968	3 Spd. Trans.:	
1965-1960	3 Spd. O/D Trans. w/352 & 390 Engs.:		Seal .....	15005	
	Seal .....	11123	(Speedi-Sleeve) .....	99149	
	(Speedi-Sleeve) .....	99112	(Speedi-Sleeve/Seal Kit) .....	480152	
	Bearing .....	6307-NRJ	Bearing .....	■ 6207-NRJ	
1962-1958	3 Spd. Trans. w/332, 352 & 390 Engs. Exc. O/D:		1972-1968	4 Spd. Trans.:	
	Seal .....	11123	Seal .....	15005	
	(Speedi-Sleeve) .....	99112	(Speedi-Sleeve) .....	99149	
	Bearing .....	6208-ZNRJ	(Speedi-Sleeve/Seal Kit) .....	480152	
1959-1958	3 Spd. Trans. w/292 Eng. Exc. O/D:		Bearing .....	6307-NRJ	
	Seal .....	11123	1967-1963 All:		
	(Speedi-Sleeve) .....	99112	Seal .....	15005	
	Bearing .....	■ 6207-NRJ	(Speedi-Sleeve) .....	99149	
1959-1958	3 Spd. O/D Trans. w/312, 332 & 352 Engs.:		(Speedi-Sleeve/Seal Kit) .....	480152	
	Seal .....	11123	Bearing .....	6307-NRJ	
	(Speedi-Sleeve) .....	99112			
	Bearing .....	6307-NRJ			

(Continued)



## Passenger cars, light & medium trucks

(Cont.) -- Ford (RWD) (Full Size), Country Sedan, Country Squire, Crown Victoria, Custom, Fairlane (1961-55), Galaxie, LTD (thru 1982)

MFG./YEAR	MODEL & LOCATION	PART NO.	MFG./YEAR	MODEL & LOCATION	PART NO.
<b>Transmission-Manual (Cont.)</b>			<b>Alternator (Cont.)</b>		
<b>Rear (Cont.)</b>			1968-1960 Leece Neville 60 & 65 Amp.:		
1962-1960 w/o O/D Trans. w/352 & 390 Engs.:			Bearing (Front) ..... 6304-2RSJ		
Seal .....15005			1964-1960 Leece Neville 50 Amp. Exc. H.D.:		
(Speedi-Sleeve) ..... 99149			Bearing (Front) ..... 6303-2RSJ		
(Speedi-Sleeve/Seal Kit) .....480152			Bearing (Rear) ..... 6203-2RSJ		
Bearing ..... 6208-ZNRJ			1964-1960 Leece Neville 30 & 50 Amp. H.D.:		
1962-1960 O/D Trans. w/352 & 390 Engs.:			Bearing ..... [2] 6204-2RSJ		
Seal .....16871			<b>Engine</b>		
(Speedi-Sleeve) ..... 99168			<b>Crankshaft-Rear</b>		
Bearing ..... ■ 6207-NRJ			1995-1992 281 (4.6L) & 302 (5.0L) Engs.:		
1959-1956 w/o 312, 332 & 352 Engs.:			Seal .....36147		
Seal .....15005			(Speedi-Sleeve) ..... 99362		
(Speedi-Sleeve) ..... 99149			1991-1983 302 (5.0L) Eng. From 12/82:		
(Speedi-Sleeve/Seal Kit) .....480152			Seal .....36147		
Bearing ..... ■ 6207-NRJ			(Speedi-Sleeve) ..... 99362		
1959-1956 312, 332 & 352 Engs.:			1991-1983 351 (5.8L) Eng. From 7/11/83:		
Seal .....16725			Seal (Viton) .....37341		
(Speedi-Sleeve) ..... 99168			Seal .....37340		
(Speedi-Sleeve/Seal Kit) .....480168			(Speedi-Sleeve) ..... 99372		
1955-1949 All:			1983-1969 351 (5.8L) & 400 (6.6L) Engs. Thru 7/10/83:		
Seal .....15005			Seal (Rope) .....196		
(Speedi-Sleeve) ..... 99149			Seal (Rubber) .....211		
(Speedi-Sleeve/Seal Kit) .....480152			1983-1968 302 (5.0L) Eng. Thru 11/82:		
<b>Reverse Idler</b>			Seal (Rope) .....196		
1971-1964 4 Spd. Ford Trans.:			Seal (Rubber) .....205		
Bearing .....[44] C407-Q			1982-1981 255 (4.2L) Eng.:		
<b>Shift Shaft</b>			Seal (Rope) .....196		
1967-1955 O/D Trans. Exc. 312, 332 & 352 Engs.:			Seal (Rubber) .....205		
Seal .....6130			1978-1969 429 (7.0L) & 460 (7.5L) Engs.:		
(Speedi-Sleeve) ..... 99062			Seal (Rope) .....196		
<b>Solenoid</b>			Seal (Rubber) .....201		
1967-1949 O/D Trans.:			1968-1963 221, 250, 260 & 289 Engs.:		
Seal .....3060			Seal (Rope) .....196		
<b>Air Conditioning Clutch</b>			Seal (Rubber) .....205		
1995-1990 FX-15 Comp.:			<b>Accessory Drive Belt Idler</b>		
Bearing ..... 5106-WCC			1995-1982 2.3L, 3.0L, 4.2L, 4.6L & 5.0L Engs.:		
1991-1990 Swash Plate:			Bearing (Pulley) ..... VKM900022		
Bearing ..... 5908-VAW			<b>Timing Cover</b>		
1991-1960 Integral Comp.:			1995-1992 281 (4.6L) Eng.:		
Bearing ..... 5106-WCC			Seal .....18757		
1983 Ford FS6 Comp.:			(Speedi-Sleeve) ..... 99187		
Bearing ..... AC1			1991-1979 302 (5.0L) & 351 (5.8L) Engs.:		
1959-1958 8 Cyl. 322 Eng.:			Seal (Viton) .....18544		
Bearing ..... 5106-WCC			Seal .....18548		
<b>Alternator</b>			(Speedi-Sleeve) ..... 99187		
1993-1973 Motorcraft:			(Speedi-Sleeve/Seal Kit) .....480185		
Bearing (Front) ..... 6203-2RSJ			1982-1981 255 (4.2L) Eng.:		
Bearing (Rear) ..... MNJ471-S			Seal (Viton) .....18544		
1988 Mitsubishi:			Seal .....18548		
Bearing (Rear) ..... AB4			(Speedi-Sleeve) ..... 99187		
1972-1960 Ford w/o 65 Amp.:			(Speedi-Sleeve/Seal Kit) .....480185		
Bearing (Front) ..... 6203-2RSJ			1978-1973 302 (5.0L), 351 (5.8L), 429 (6.9L) & 460		
Bearing (Rear) ..... MNJ471-S			(7.5L) Engs.:		
1969 Leece Neville 65 Amp.:			Seal (Viton) .....18546		
Bearing (Front) ..... 6304-2RSJ			Seal .....18562		
Bearing (Rear) ..... 6203-2RSJ			(Speedi-Sleeve) ..... 99187		
1969-1960 Leece Neville 40 & 53 Amp.:			(Speedi-Sleeve/Seal Kit) .....480186		
Bearing (Front) ..... 6203-2RSJ			(Continued)		
Bearing (Rear) ..... MNJ471-S					

## Passenger cars, light & medium trucks

### Ford (RWD) (Full Size), Country Sedan, Country Squire, Crown Victoria, Custom, Fairlane (1961-55), Galaxie, LTD (thru 1982) -- (Cont.)

MFG./YEAR	MODEL & LOCATION	PART NO.	MFG./YEAR	MODEL & LOCATION	PART NO.
<b>Engine (Cont.)</b>			<b>Steering-Power</b>		
<b>Timing Cover (Cont.)</b>			<b>Pitman Shaft</b>		
<b>1978-1973 400 (6.6L) Eng.:</b>			<b>1979-1977 Saginaw Gear:</b>		
	Seal (Viton) .....	18544		Seal (Inner) .....	12371
	Seal .....	18548		Seal (Outer) .....	12355
	(Speedi-Sleeve) .....	99187		Seal Kit .....	12392
	(Speedi-Sleeve/Seal Kit) .....	480185	<b>1964-1961 All:</b>		
<b>1972-1969 250, 351, 400 &amp; 460 Eng.s:</b>				Seal .....	11081
	Seal (Viton) .....	18546	<b>1960-1958 Exc. Saginaw Gear:</b>		
	Seal .....	18562		Seal .....	11081
	(Speedi-Sleeve) .....	99187	<b>1960-1958 Saginaw Gear:</b>		
	(Speedi-Sleeve/Seal Kit) .....	480186		Seal .....	11060
<b>1972-1968 427 (7.0L), 428 (7.0L) &amp; 429 (7.0L) Eng.s:</b>			<b>1957 All:</b>		
	Seal (Viton) .....	18544		Seal .....	12334
	Seal .....	18548	<b>1956 2 Tooth Type:</b>		
	(Speedi-Sleeve) .....	99187		Seal .....	11081
	(Speedi-Sleeve/Seal Kit) .....	480185	<b>1956 3 Tooth Type:</b>		
<b>1972-1962 6 Cyl. Eng.:</b>				Seal .....	12334
	Seal (Viton) .....	18546	<b>1955-1949 All:</b>		
	Seal .....	18562		Seal .....	11081
	(Speedi-Sleeve) .....	99187	<b>Pump Shaft</b>		
	(Speedi-Sleeve/Seal Kit) .....	480186	<b>1995-1979 All:</b>		
<b>1967-1955 8 Cyl. Exc. 292 Eng.:</b>				Seal .....	6765
	Seal (Viton) .....	18546	<b>1978-1973 Ford Pump:</b>		
	Seal .....	18562		Seal .....	6765
	(Speedi-Sleeve) .....	99187	<b>1978-1973 Saginaw Pump:</b>		
	(Speedi-Sleeve/Seal Kit) .....	480186		Seal .....	7475
<b>1961-1955 6 Cyl. Eng.:</b>			<b>1972-1968 All:</b>		
	Seal (Viton) .....	18546		Seal .....	6765
	Seal .....	18562	<b>1967-1965 Eaton Pump:</b>		
	(Speedi-Sleeve) .....	99187		Seal .....	7465
	(Speedi-Sleeve/Seal Kit) .....	480186	<b>1967-1965 Ford Pump:</b>		
<b>1960-1955 292 Eng. Thru 11/14/60:</b>				Seal .....	6765
	Seal (Viton) .....	18546	<b>1964-1962 All:</b>		
	Seal .....	18562		Seal .....	7465
	(Speedi-Sleeve) .....	99187	<b>1961-1946 All:</b>		
	(Speedi-Sleeve/Seal Kit) .....	480186		Seal .....	7440
<b>Generator</b>			<b>Worm Shaft</b>		
<b>1965-1949 w/o H.D.:</b>			<b>1995 All:</b>		
	Bearing (Front) .....	6203-2RSJ		Bearing .....	FC65753
<b>1964-1956 H.D.:</b>			<b>1994-1975 w/o Rack &amp; Pinion:</b>		
	Bearing (Front) .....	6204-2RSJ		Seal .....	8178
				Bearing .....	6201-2RSJ
			<b>1982-1980 TRW Rack &amp; Pinion:</b>		
				Seal .....	8620
			<b>1979-1977 Saginaw Gear:</b>		
				Seal .....	8648

(Continued)

## Passenger cars, light & medium trucks

(Cont.) -- Ford (RWD) (Full Size), Country Sedan, Country Squire, Crown Victoria, Custom, Fairlane (1961-55), Galaxie, LTD (thru 1982)

MFG./YEAR	MODEL & LOCATION	PART NO.	MFG./YEAR	MODEL & LOCATION	PART NO.
-----------	------------------	----------	-----------	------------------	----------

### Steering-Power (Cont.)

#### Worm Shaft (Cont.)

1961	All:	
Seal	.....	11124

## Ford (RWD) Elite, Fairlane (1970-62), LTD II, Ranchero, Torino

### Wheel Front

<b>1979-1974 All:</b>		
Seal	.....	19221
Bearing (Inner)	.....	BR11
(Set Components)	.....	JL69349/JL69310
Bearing (Outer)	.....	BR12
(Set Components)	.....	LM12749/LM12710
<b>1973-1970 All:</b>		
Seal	.....	19221
Bearing (Inner)	.....	BR13
(Set Components)	.....	L68149/L68110
Bearing (Outer)	.....	BR12
(Set Components)	.....	LM12749/LM12710
<b>1969-1962 All:</b>		
Seal	.....	19221
Bearing (Inner)	.....	BR6
(Set Components)	.....	LM67048/LM67010
Bearing (Outer)	.....	BR2
(Set Components)	.....	LM11949/LM11910

### Wheel Rear

<b>1979-1976 Ball Brg. Type:</b>		
Seal	.....	15142
Bearing w/Lock Ring	.....	88128-RA
<b>1979-1974 Roller Brg. Type:</b>		
Seal	.....	18881
Bearing	.....	BR20
<b>1975-1973 Ball Brg. Type:</b>		
Seal	.....	15142
Bearing w/Lock Ring	.....	88128-RB
<b>1972-1969 All:</b>		
Seal	.....	15142
Sealed Bearing w/Lock Ring	.....	RW207-CCRA
<b>1968-1967 w/o 427 Eng.:</b>		
Seal	.....	13700
Sealed Bearing w/Lock Ring	.....	RW207-CCRA
<b>1968-1967 427 Eng.:</b>		
Seal	.....	14968
Sealed Bearing w/Lock Ring	.....	RW207-CCRA
<b>1967-1961 Ranchero, Sed. Del., Sta. Wgn. &amp; Taxi w/6 Cyl. Eng. From 5/15/61:</b>		
Seal	.....	13350
Sealed Bearing w/Lock Ring	.....	RWF34-R
<b>1966-1962 All:</b>		
Seal (2.378" O.D.)	.....	13738
Seal (2.565" O.D.)	.....	13875
Sealed Bearing w/Lock Ring	.....	RW207-CCRA
<b>1961-1960 Ranchero, Sed. Del., Sta. Wgn. &amp; Taxi w/6 Cyl. Eng. Thru 5/15/61:</b>		
Seal	.....	13415
Sealed Bearing w/Lock Ring	.....	RWF34-R

### Pinion

<b>1979-1973 9.00" Ring Gear w/WEB &amp; WFA Axles:</b>		
Seal	.....	18833
(Speedi-Sleeve)	.....	99181
Bearing	.....	[2] BR52
(Set Components)	.....	M88048/M88010
Bearing (Pilot)	.....	R1535-TAV
<b>1975-1973 9.00" Ring Gear w/WEC &amp; WFC Axles:</b>		
Seal	.....	18833
(Speedi-Sleeve)	.....	99181
Bearing (Front)	.....	BR52
(Set Components)	.....	M88048/M88010
Bearing (Pilot)	.....	R1535-TAV
Bearing (Rear)	.....	HM89443/HM89410
<b>1974-1973 8.00" Ring Gear:</b>		
Seal	.....	18136
(Speedi-Sleeve)	.....	99181
Bearing	.....	[2] M86649/M86610
Bearing (Pilot)	.....	R1558-TAV
<b>1972-1966 7.25", 7.75" &amp; 8.00" Ring Gears:</b>		
Seal	.....	18100
(Speedi-Sleeve)	.....	99181
Bearing	.....	[2] M86649/M86610
Bearing (Pilot)	.....	R1558-TAV
<b>1972-1966 8.75" &amp; 9.00" Ring Gears:</b>		
Seal	.....	18833
(Speedi-Sleeve)	.....	99181
Bearing	.....	[2] BR52
(Set Components)	.....	M88048/M88010
Bearing (Pilot)	.....	R1535-TAV
<b>1966-1962 w/o 8.75" &amp; 9.00" Ring Gears:</b>		
Seal	.....	18100
(Speedi-Sleeve)	.....	99181
Bearing (Front)	.....	M86649/M86610
<b>1965-1964 289 Eng. w/4 Bbl. Carb.:</b>		
Seal	.....	18833
(Speedi-Sleeve)	.....	99181
Bearing	.....	[2] BR52
(Set Components)	.....	M88048/M88010
Bearing (Pilot)	.....	R1535-TAV
<b>1965-1964 289 Eng. w/2 Bbl. Carb.:</b>		
Seal	.....	18100
(Speedi-Sleeve)	.....	99181
Bearing	.....	[2] M86649/M86610
Bearing (Pilot)	.....	R1558-TAV
<b>Differential</b>		
<b>1979-1970 9.00" Ring Gear From 5/13/70:</b>		
Bearing	.....	[2] BR50
(Set Components)	.....	LM102949/LM102910
<b>1974-1967 7.75" &amp; 8.00" Ring Gears:</b>		
Bearing	.....	[2] BR35
(Set Components)	.....	LM501349/LM501310

(Continued)

## Passenger cars, light & medium trucks

### Ford (RWD) Elite, Fairlane (1970-62), LTD II, Ranchero, Torino -- (Cont.)

MFG./YEAR	MODEL & LOCATION	PART NO.	MFG./YEAR	MODEL & LOCATION	PART NO.
<b>Differential (Cont.)</b>			<b>Transmission-Automatic</b>		
1970-1967	9.00" Ring Gear Thru 5/13/70 Exc. H.D.:		<b>Front Pump</b>		
	Bearing ..... [2] BR35		1979-1962 All:		
	(Set Components) ..... LM501349/LM501310		Seal ..... 19807		
1970-1967	9.00" Ring Gear w/390, 427, 428 & 429 H.D.		(Speedi-Sleeve) ..... 99199		
	Engs. Thru 5/12/70:		(Speedi-Sleeve/Seal Kit) ..... 480198		
	Bearing ..... [2] BR37		<b>Rear</b>		
	(Set Components) ..... LM603049/LM603011		1979-1962 w/o C4 Trans.:		
1968-1967	7.25" Ring Gear w/6 Cyl. Eng.:		Seal ..... 16725		
	Bearing ..... [2] LM29749/LM29710		(Speedi-Sleeve) ..... 99168		
1966-1962 All:			(Speedi-Sleeve/Seal Kit) ..... 480168		
	Bearing ..... [2] BR35		1979-1962 C4 Trans.:		
	(Set Components) ..... LM501349/LM501310		Seal ..... 14978		
<b>Kit</b>			(Speedi-Sleeve) ..... 99149		
1979-1968	9.00 " Ring Gear:		(Speedi-Sleeve/Seal Kit) ..... 480148		
	Standard Seal and Bearing Kit Rear ..... SDK313		<b>Shift Shaft</b>		
1974-1962	8.00 " Ring Gear:		1979-1973 All:		
	Standard Seal and Bearing Kit Rear ..... SDK310		Seal ..... 7556		
1970	9.00 " 31 spline STSP 5/11/1970 Ring Gear:		(Speedi-Sleeve) ..... 99076		
	Standard Seal and Bearing Kit Rear ..... SDK313		<b>Transmission-Manual</b>		
1970-1962	9.00 " 28 spline ENSP 5/10/70 Ring Gear:		<b>Countershaft</b>		
	Standard Seal and Bearing Kit Rear ..... SDK312		1978-1973 3 Spd. Trans.:		
<b>Clutch</b>			Bearing ..... [50] C1086-Q		
<b>Pilot</b>			1973-1962 Police & Taxi w/4 Spd. Ford Trans. & 8 Cyl.		
1979-1974	From 5/1/74:		Eng. Exc. O/D:		
	Bearing ..... B65174		Bearing ..... [42] QAR33724		
1974-1973	Thru 4/74:		1970-1962 4 Spd. Ford Trans. w/170 & 200 Engs.:		
	Bearing ..... N3058		Bearing ..... [42] QAR33724		
<b>Release</b>			1967-1962 3 Spd. Trans. w/8 Cyl. Eng. & O/D:		
1974-1972 All:			Bearing ..... [44] C407-Q		
	Bearing Assembly ..... N1444		1966-1962 3 Spd. Trans. w/170 & 200 Engs. Exc. Police &		
	(Self-Aligning) ..... N1444-SA		Taxi:		
	(Heavy Duty) ..... N1439		Bearing ..... [44] C407-Q		
1971-1967	6 Cyl. Eng. w/9" Clutch:		<b>Front</b>		
	Bearing Assembly ..... N1444		1978-1968 3 Spd. Trans.:		
	(Self-Aligning) ..... N1444-SA		Seal ..... 11123		
1971-1967	8 Cyl. Exc. 427, 428 & 429 Engs.:		(Speedi-Sleeve) ..... 99112		
	Bearing Assembly ..... N1444		Bearing ..... ■ 6208-NRJ		
	(Self-Aligning) ..... N1444-SA		1973-1967 4 Spd. Trans. w/351 & 390 Engs. Exc. RUG-AK		
	(Heavy Duty) ..... N1439		& AL Trans.:		
1971-1967	427, 428 & 429 Engs.:		Seal ..... 11123		
	Bearing Only ..... N1087		(Speedi-Sleeve) ..... 99112		
	Bearing Assembly ..... N1493		Bearing ..... 6209-NRJ		
1970-1967	200 Eng. w/10" Clutch From 10/1/66:		1973-1967 4 Spd. Trans. Exc. 351 & 390 Engs.:		
	Bearing Only ..... N1586		Seal ..... 11123		
	Bearing Assembly ..... N1439		(Speedi-Sleeve) ..... 99112		
1966-1962	6 Cyl. Eng. w/o H.D. Clutch:		Bearing ..... 6209-NRJ		
	Bearing Only ..... N1054		1969 4 Spd. RUG-AK & AL Trans. w/351 & 390		
	Bearing Assembly ..... N1461		Engs.:		
1966-1962	8 Cyl. Eng. w/o H.D. Clutch:		Seal ..... 11123		
	Bearing Assembly ..... N1444		(Speedi-Sleeve) ..... 99112		
	(Self-Aligning) ..... N1444-SA		1967-1963 3 Spd. Trans. w/260 & 289 Engs. & O/D From		
1966-1962	H.D. Clutch:		11/5/62:		
	Bearing Only ..... N1087		Seal ..... 11123		
	Bearing Assembly ..... N1493		(Speedi-Sleeve) ..... 99112		
			Bearing ..... 6208-ZNRJ		
			1966-1964 4 Spd. Ford Trans.:		
			Seal ..... 11123		
			(Speedi-Sleeve) ..... 99112		
			(Continued)		

# Passenger cars, light & medium trucks

(Cont.) -- Ford (RWD) Elite, Fairlane (1970-62), LTD II, Ranchero, Torino

MFG./YEAR	MODEL & LOCATION	PART NO.	MFG./YEAR	MODEL & LOCATION	PART NO.
<b>Transmission-Manual (Cont.)</b>			<b>Transmission-Manual (Cont.)</b>		
<b>Front (Cont.)</b>			<b>Rear (Cont.)</b>		
<b>1966-1963 Police &amp; Taxi w/170 &amp; 200 Engs.:</b>			<b>1966-1962 3 Spd. Trans. w/6 Cyl. H.D., O/D Exc. 170 Eng.:</b>		
	Seal .....	11123		Seal .....	15005
	(Speedi-Sleeve) .....	99112		(Speedi-Sleeve) .....	99149
	Bearing .....	■ 6208-NJ		(Speedi-Sleeve/Seal Kit) .....	480152
<b>1966-1963 3 Spd. Trans. w/8 Cyl. Eng. Exc. O/D:</b>			<b>Bearing .....</b>		
	Seal .....	11123	■ 6207-NRJ		
	(Speedi-Sleeve) .....	99112	<b>1966-1962 170 Eng. Exc. H.D. w/O/D:</b>		
	Bearing .....	■ 6208-NJ		Seal .....	15005
<b>1966-1963 4 Spd. Exc. Ford Trans.:</b>				(Speedi-Sleeve) .....	99149
	Seal .....	11123		(Speedi-Sleeve/Seal Kit) .....	480152
	(Speedi-Sleeve) .....	99112		Bearing .....	6206-NRJ
	Bearing .....	6307-NRJ	<b>1965-1964 4 Spd. Ford Trans. w/390 Eng.:</b>		
<b>1966-1962 170 &amp; 200 Engs. Exc. Police &amp; Taxi:</b>				Seal .....	16871
	Seal .....	10515		(Speedi-Sleeve) .....	99168
	(Speedi-Sleeve) .....	99106		Bearing .....	6307-NRJ
	Bearing .....	■ 6207-NRJ	<b>1963 3 Spd. Trans. w/260 Eng.:</b>		
<b>1963-1962 221 &amp; 260 Engs. w/O/D Thru 11/4/62:</b>				Seal .....	15005
	Seal .....	11123		(Speedi-Sleeve) .....	99149
	(Speedi-Sleeve) .....	99112		(Speedi-Sleeve/Seal Kit) .....	480152
	Bearing .....	■ 6207-NRJ	<b>Reverse Idler</b>		
<b>Mainshaft Pilot</b>			<b>1973-1964 4 Spd. Ford Trans. w/7113 Gear:</b>		
<b>1978-1962 3 Spd. Trans. w/8 Cyl. Eng.:</b>				Bearing .....	QAR33724
	Bearing .....	[15] QBR23549	<b>1973-1964 4 Spd. Ford Trans. w/7141 Gear:</b>		
<b>1973-1964 4 Spd. Ford Trans.:</b>				Bearing .....	[44] C407-Q
	Bearing .....	[15] QBR23549	<b>Shift Shaft</b>		
<b>1966-1962 3 Spd. Trans. w/170 &amp; 200 Engs. Exc. Police &amp; Taxi:</b>			<b>1967-1962 O/D:</b>		
	Bearing .....	[13] C1110-Q		Seal .....	6130
				(Speedi-Sleeve) .....	99062
<b>Rear</b>			<b>Solenoid</b>		
<b>1978-1967 3 Spd. Trans.:</b>			<b>1967-1962 O/D:</b>		
	Seal .....	14978		Seal .....	3050
	(Speedi-Sleeve) .....	99149	<b>Air Conditioning Clutch</b>		
	(Speedi-Sleeve/Seal Kit) .....	480148	<b>1979-1962 All:</b>		
	Bearing .....	■ 6207-NRJ		Bearing .....	5106-WCC
<b>1973-1967 4 Spd. RUG-BF &amp; BJ Trans.:</b>			<b>Alternator</b>		
	Seal .....	15005	<b>1979-1973 All:</b>		
	(Speedi-Sleeve) .....	99149		Bearing (Front) .....	6203-2RSJ
	(Speedi-Sleeve/Seal Kit) .....	480152		Bearing (Rear) .....	MNJ471-S
	Bearing .....	6307-NRJ	<b>1972-1965 Ford w/o Hi-Temp.:</b>		
<b>1973-1967 4 Spd. RUG-BG Trans.:</b>				Bearing (Front) .....	6203-2RSJ
	Seal .....	16871		Bearing (Rear) .....	MNJ471-S
	(Speedi-Sleeve) .....	99168	<b>1969-1962 Leece Neville w/o 60 Amp.:</b>		
	Bearing .....	6307-NRJ		Bearing (Front) .....	6203-2RSJ
<b>1966-1963 4 Spd. Ford Trans. Exc. 390 Trans.:</b>				Bearing (Rear) .....	MNJ471-S
	Seal .....	15005	<b>1964-1962 Leece Neville w/60 Amp.:</b>		
	(Speedi-Sleeve) .....	99149		Bearing (Front) .....	6304-2RSJ
	(Speedi-Sleeve/Seal Kit) .....	480152		Bearing (Rear) .....	6203-2RSJ
	Bearing .....	6307-NRJ	<b>Engine</b>		
<b>1966-1962 3 Spd. Trans. w/6 Cyl. Exc. 170 Eng.:</b>			<b>Crankshaft-Rear</b>		
	Seal .....	15005	<b>1979-1976 351 C, M &amp; W (5.8L) Engs.:</b>		
	(Speedi-Sleeve) .....	99149		Seal (Rope) .....	196
	(Speedi-Sleeve/Seal Kit) .....	480152		Seal (Rubber) .....	211
	Bearing .....	6206-NRJ	<b>1979-1968 302 (5.0L) Eng.:</b>		
<b>1966-1962 3 Spd. Trans. w/170 Eng.:</b>				Seal (Rope) .....	196
	Seal .....	13676		Seal (Rubber) .....	205
	(Speedi-Sleeve) .....	99138	<b>1978-1972 400 (6.6L) Eng.:</b>		
	Bearing .....	■ 6207-NRJ		Seal (Rope) .....	196
<b>1966-1962 3 Spd. Trans. 8 Cyl. Exc. 260 Eng.:</b>				Seal (Rubber) .....	211
	Seal .....	15005	(Continued)		
	(Speedi-Sleeve) .....	99149			
	(Speedi-Sleeve/Seal Kit) .....	480152			
	Bearing .....	■ 6207-NRJ			

## Passenger cars, light & medium trucks

### Ford (RWD) Elite, Fairlane (1970-62), LTD II, Ranchero, Torino -- (Cont.)

MFG./YEAR	MODEL & LOCATION	PART NO.	MFG./YEAR	MODEL & LOCATION	PART NO.
<b>Engine (Cont.)</b>			<b>Engine (Cont.)</b>		
<b>Crankshaft-Rear (Cont.)</b>			<b>Timing Cover (Cont.)</b>		
1976-1969 429 (7.0L) & 460 (7.5L) Engs.:			1972-1962 8 Cyl. Exc. 302, 351, 429 & 460 Engs.:		
	Seal (Rope) .....	196		Seal (Viton) .....	18544
	Seal (Rubber) .....	201		Seal .....	18548
1974-1970 250 (4.1L) Eng.:			(Speedi-Sleeve) .....		
	Seal (Rope) .....	196	(Speedi-Sleeve/Seal Kit) .....		
	Seal (Rubber) .....	205			
1968-1963 240 (3.9L), 260 (4.3L) & 289 (4.7L) Engs.:			<b>Generator</b>		
	Seal (Rope) .....	196	1965-1962 All:		
	Seal (Rubber) .....	205	Bearing (Front) .....		
1964-1962 223 (3.7L) Eng.:			Bearing (Rear) .....		
	Seal (Rope) .....	196			
	Seal (Rubber) .....	204	<b>Steering-Power</b>		
<b>Timing Cover</b>			<b>Pitman Shaft</b>		
1979 302 (5.0L) & 351 (5.8L) Engs.:			1979-1973 Saginaw Gear:		
	Seal (Viton) .....	18544	Seal (Inner) .....		
	Seal .....	18548	Seal (Outer) .....		
	(Speedi-Sleeve) .....	99187	Seal Kit .....		
	(Speedi-Sleeve/Seal Kit) .....	480185			
1978-1973 351 C, M (5.8L) & 400 (6.6L) Engs.:			<b>Pump Shaft</b>		
	Seal (Viton) .....	18544	1979-1962 All:		
	Seal .....	18548	Seal .....		
	(Speedi-Sleeve) .....	99187			
	(Speedi-Sleeve/Seal Kit) .....	480185	<b>Worm Shaft</b>		
1978-1971 302 (5.0L), 351 W (5.8L), 429 (6.9L) & 460 (7.5L) Engs.:			1979-1975 Ford Gear:		
	Seal (Viton) .....	18546	Seal .....		
	Seal .....	18562	1979-1973 Saginaw Gear:		
	(Speedi-Sleeve) .....	99187	Seal .....		
	(Speedi-Sleeve/Seal Kit) .....	480186			
1974-1962 223, 240 & 250 Engs.:			<b>Steering-Standard</b>		
	Seal (Viton) .....	18546	<b>Pitman Shaft</b>		
	Seal .....	18562	1974-1973 All:		
	(Speedi-Sleeve) .....	99187	Seal .....		
	(Speedi-Sleeve/Seal Kit) .....	480186			

### Ford (RWD) Fairmont, Maverick

<p><b>Wheel Front</b></p> <p>1983-1978 All:</p> <p>Seal .....</p> <p>Bearing (Inner) .....</p> <p>(Set Components) .....</p> <p>Bearing (Outer) .....</p> <p>(Set Components) .....</p> <p>1977-1970 All:</p> <p>Seal .....</p> <p>Bearing (Inner) .....</p> <p>(Set Components) .....</p> <p>Bearing (Outer) .....</p> <p>(Set Components) .....</p> <p><b>Wheel Rear</b></p> <p>1983-1978 7.50" Ring Gear:</p> <p>Seal .....</p> <p>Bearing .....</p> <p>(Axle Repair Brg. Assy.) .....</p> <p>1982 6.75" Ring Gear:</p> <p>Seal .....</p> <p>Sealed Bearing w/Lock Ring .....</p>	<p><b>Wheel Rear (Cont.)</b></p> <p>1981-1979 6.75" Ring Gear:</p> <p>Seal .....</p> <p>Sealed Bearing w/Lock Ring .....</p> <p>1977-1973 All:</p> <p>Seal .....</p> <p>Sealed Bearing w/Lock Ring .....</p> <p>1972-1971 w/o 4 Lug Bolts.:</p> <p>Seal .....</p> <p>Sealed Bearing w/Lock Ring .....</p> <p>1972-1970 4 Lug Bolts:</p> <p>Seal .....</p> <p>Sealed Bearing w/Lock Ring .....</p> <p><b>Pinion</b></p> <p>1983-1978 7.50" Ring Gear:</p> <p>Seal .....</p> <p>(Speedi-Sleeve) .....</p> <p>Bearing (Front) .....</p> <p>(Set Components) .....</p> <p>Bearing (Rear) .....</p> <p style="text-align: right;">(Continued)</p>
--	--

MFG./YEAR	MODEL & LOCATION	PART NO.	MFG./YEAR	MODEL & LOCATION	PART NO.
<b>Pinion (Cont.)</b>			<b>Transmission-Automatic</b>		
<b>1982-1979 6.75" Ring Gear:</b>			<b>Front Pump</b>		
	Seal	18100	<b>1983-1978 C3 Trans.:</b>		
	(Speedi-Sleeve)	99181		Seal	16225
	Bearing (Front)	M86649/M86610	<b>1983-1970 C4 &amp; C5 Trans.:</b>		
	Bearing (Rear)	BR90		Seal	19807
	(Set Components)	HM88648/HM88610		(Speedi-Sleeve)	99199
				(Speedi-Sleeve/Seal Kit)	480198
<b>1977-1970 All:</b>			<b>Rear</b>		
	Seal	18100	<b>1983-1978 C3 Trans.:</b>		
	(Speedi-Sleeve)	99181		Seal	13685
	Bearing	[2] M86649/M86610		(Speedi-Sleeve)	99138
	Bearing (Pilot)	R1558-TAV	<b>1983-1970 C4 &amp; C5 Trans.:</b>		
<b>Differential</b>				Seal	14978
<b>1983-1978 All:</b>				Seal & Bushing Kit	14982
	Bearing	[2] BR72		(Speedi-Sleeve)	99149
	(Set Components)	LM501349/LM501314		(Speedi-Sleeve/Seal Kit)	480148
<b>1977-1970 All:</b>			<b>Shift Shaft</b>		
	Bearing	[2] BR35	<b>1983-1970 All:</b>		
	(Set Components)	LM501349/LM501310		Seal	7556
<b>Kit</b>				(Speedi-Sleeve)	99076
<b>1983-1978 7.50" Ring Gear:</b>			<b>Transmission-Manual</b>		
	Standard Seal and Bearing Kit Rear	SDK315	<b>Countershaft</b>		
<b>1977-1971 8.00" Ring Gear:</b>			<b>1983-1977 4 Spd. RUG Trans.:</b>		
	Standard Seal and Bearing Kit Rear	SDK310		Bearing	[42] QAR33724
<b>Clutch</b>			<b>1983-1974 4 Spd. German Trans.:</b>		
<b>Pilot</b>				Bearing (Front)	[21] B1316-Q
<b>1983-1978 140 Eng.:</b>				Bearing (Rear)	[21] C407-Q
	Bearing	FC65354	<b>1978-1970 3 Spd. HEF &amp; RAN Trans.:</b>		
<b>1982-1974 6 &amp; 8 Cyl. Eng. From 5/74:</b>				Bearing	[50] C1086-Q
	Bearing	B65174	<b>Front</b>		
<b>1974-1973 200 Eng. Thru 4/74:</b>			<b>1983-1978 4 Spd. German Trans.:</b>		
	Bearing	B65174		Seal	10930
<b>1974-1973 250 &amp; 302 Eng. Thru 4/74:</b>				(Speedi-Sleeve)	99111
	Bearing	N3058		Bearing	■ 6207-NJ
<b>Release</b>			<b>1983-1977 4 Spd. RUG Trans.:</b>		
<b>1983-1980 4 Spd. German Trans.:</b>				Seal	11123
	Bearing Only	N1054		(Speedi-Sleeve)	99112
	(Self-Aligning)	N1705-SA		Bearing	6209-NRJ
<b>1982-1980 4 Spd. Exc. German Trans.:</b>			<b>1978-1970 3 Spd. HEF &amp; RAN Trans.:</b>		
	Bearing Assembly	N1714		Seal	11123
	(Self-Aligning)	N1714-SA		(Speedi-Sleeve)	99112
<b>1979-1978 140 Eng.:</b>				Bearing	■ 6208-NJ
	Bearing Only	N1054	<b>Mainshaft Pilot</b>		
	(Self-Aligning)	N1705-SA	<b>1983-1977 4 Spd. RUG Trans.:</b>		
<b>1979-1978 200 Eng.:</b>				Bearing	[15] QBR23549
	Bearing Assembly	N1714	<b>1978-1970 3 Spd. HEF &amp; RAN Trans.:</b>		
	(Self-Aligning)	N1714-SA		Bearing	[15] QBR23549
<b>1979-1975 250 &amp; 302 Eng.:</b>			<b>Rear</b>		
	Bearing Assembly	N1714	<b>1983-1978 4 Spd. German Trans.:</b>		
	(Self-Aligning)	N1714-SA		Seal	13527
<b>1977-1975 200 Eng.:</b>				(Speedi-Sleeve)	99138
	Bearing Assembly	N1444	<b>1983-1977 4 Spd. RUG Trans.:</b>		
	(Self-Aligning)	N1444-SA		Seal	15005
	(Heavy Duty)	N1439		(Speedi-Sleeve)	99149
<b>1974-1970 All:</b>				(Speedi-Sleeve/Seal Kit)	480152
	Bearing Assembly	N1444		Bearing	6307-NRJ
	(Self-Aligning)	N1444-SA	(Continued)		
	(Heavy Duty)	N1439			

**Ford (RWD) Fairmont, Maverick -- (Cont.)**

MFG./YEAR	MODEL & LOCATION	PART NO.	MFG./YEAR	MODEL & LOCATION	PART NO.
<b>Transmission-Manual (Cont.)</b>			<b>Engine (Cont.)</b>		
<b>Rear (Cont.)</b>			<b>Timing Belt Tensioner</b>		
1978-1970 3 Spd. HEF & RAN Trans.:			1983-1978 140 (2.3L) Eng.:		
Seal		14978	Bearing & Housing Assy.		VKM54001
(Speedi-Sleeve)		99149	<b>Timing Belt and Tensioner Kit</b>		
(Speedi-Sleeve/Seal Kit)		480148	1983-1978 140 (2.3L) Eng.:		
Bearing		■ 6207-NRJ	Bearing & Housing Assy. Kit		VKMA44001
<b>Reverse Idler</b>			<b>Timing Cover</b>		
1983-1979 4 Spd. RUG Trans.:			1983-1978 140 (2.3L) Eng.:		
Bearing		[44] C407-Q	Seal (Viton)		17107
<b>Shift Shaft</b>			Seal		17106
1980-1979 4 Spd. RUG Trans.:			1983-1973 200 (3.3L) Eng.:		
Seal		5510	Seal		17271
(Speedi-Sleeve)		99056	(Speedi-Sleeve)		99174
<b>Air Conditioning Clutch</b>			1982-1979 255 (4.2L) & 302 (5.0L) Engs.:		
1983-1970 All:			Seal (Viton)		18544
Bearing		5106-WCC	Seal		18548
<b>Alternator</b>			(Speedi-Sleeve)		99187
1983-1970 All:			(Speedi-Sleeve/Seal Kit)		480185
Bearing (Front)		6203-2RSJ	1978-1973 250 (4.1L) & 302 (5.0L) Engs.:		
Bearing (Rear)		MNJ471-S	Seal (Viton)		18546
<b>Engine</b>			Seal		18562
<b>Auxiliary Shaft</b>			(Speedi-Sleeve)		99187
1983-1978 140 (2.3L) Eng.:			(Speedi-Sleeve/Seal Kit)		480186
Seal (Viton)		17107	<b>Steering-Power</b>		
Seal		17106	<b>Pitman Shaft</b>		
<b>Camshaft</b>			1977-1973 All:		
1983-1978 140 (2.3L) Eng.:			Seal		11081
Seal (Viton)		17107	<b>Pump Shaft</b>		
Seal		17106	1983-1970 Ford Pump:		
<b>Crankshaft-Rear</b>			Seal		6765
1983-1982 140 (2.3L) Eng. From 9/28/81:			1979 Saginaw Pump:		
Seal		36147	Seal		7475
(Speedi-Sleeve)		99362	<b>Worm Shaft</b>		
1983-1973 200 (3.3L) Eng.:			1983-1978 TRW:		
Seal (Rope)		196	Seal		8620
Seal (Rubber)		204	<b>Steering-Standard</b>		
1982-1980 255 (4.2L) Eng.:			<b>Pitman Shaft</b>		
Seal (Rope)		196	1977-1970 All:		
Seal (Rubber)		205	Seal		11081
1982-1978 140 (2.3L) Eng. Thru 9/27/81:					
Seal (Rubber)		205			
1979-1973 250 (4.1L) & 302 (5.0L) Engs.:					
Seal (Rope)		196			
Seal (Rubber)		205			
<b>Accessory Drive Belt Idler</b>					
1983-1982 2.3L & 4.2L Engs.:					
Bearing (Pulley)		VKM900022			



MFG./YEAR	MODEL & LOCATION	PART NO.	MFG./YEAR	MODEL & LOCATION	PART NO.
<b>Wheel Front</b>			<b>Pinion (Cont.)</b>		
1970	All:		1969-1963	170 & 200 Engs.:	
	Seal .....	19221		Seal .....	16545
	Bearing (Inner) .....	BR13		(Speedi-Sleeve) .....	99165
	(Set Components) .....	L68149/L68110		Bearing (Front) .....	M86649/M86610
	Bearing (Outer) .....	BR12		Bearing (Rear) .....	HM89446/HM89410
	(Set Components) .....	LM12749/LM12710		1962-1961	170 & 200 Engs.:
1969-1966	All:			Bearing (Rear) .....	HM88649/HM89410
	Seal .....	19221	<b>Differential</b>		
	Bearing (Inner) .....	BR6	1970-1964	8 Cyl. Eng.:	
	(Set Components) .....	LM67048/LM67010		Bearing .....	BR35
	Bearing (Outer) .....	BR2		(Set Components) .....	LM501349/LM501310
	(Set Components) .....	LM11949/LM11910	1970-1961	6 Cyl. Eng.:	
1965-1964	8 Cyl. Eng.:			Bearing .....	LM29749/LM29710
	Seal .....	19221	1960	All:	
	Bearing (Inner) .....	BR6		Bearing .....	BR5
	(Set Components) .....	LM67048/LM67010		(Set Components) .....	LM48548/LM48510
	Bearing (Outer) .....	BR2	<b>Kit</b>		
	(Set Components) .....	LM11949/LM11910	1970-1962	8.00 " Ring Gear:	
1965-1963	6 Cyl. Eng.:			Standard Seal and Bearing Kit Rear .....	SDK310
	Seal .....	15509	<b>Clutch</b>		
	Bearing (Inner) .....	BR4	<b>Release</b>		
	(Set Components) .....	L44649/L44610	1970-1966	6 Cyl. Eng.:	
	Bearing (Outer) .....	BR1		Bearing Assembly .....	N1444
	(Set Components) .....	LM11749/LM11710		(Self-Aligning) .....	N1444-SA
1962-1960	All:			(Heavy Duty) .....	N1439
	Seal .....	15509	1965-1964	8 Cyl. Eng.:	
	Bearing (Inner) .....	BR4		Bearing Only .....	N1586
	(Set Components) .....	L44649/L44610		Bearing Assembly .....	N1439
	Bearing (Outer) .....	BR1	1965-1960	6 Cyl. Eng. Exc. H.D. Clutch:	
	(Set Components) .....	LM11749/LM11710		Bearing Only .....	N1054
<b>Wheel Rear</b>				Bearing Assembly .....	N1461
1970-1969	w/o 4 Lug Whls.:		<b>Transmission-Automatic</b>		
	Seal .....	13700	<b>Front Pump</b>		
	Sealed Bearing w/Lock Ring .....	RW207-CCRA	1970-1960	All:	
1970-1969	4 Lug Whls.:			Seal .....	19807
	Seal .....	13419		(Speedi-Sleeve) .....	99199
	Sealed Bearing w/Lock Ring .....	RWF34-R		(Speedi-Sleeve/Seal Kit) .....	480198
1968-1966	6 Cyl. Eng.:		<b>Rear</b>		
	Seal .....	13419	1970-1966	w/o C4 Trans.:	
	Sealed Bearing w/Lock Ring .....	RWF34-R		Seal .....	16725
1968-1965	8 Cyl. Eng.:			(Speedi-Sleeve) .....	99168
	Seal .....	13700		(Speedi-Sleeve/Seal Kit) .....	480168
	Sealed Bearing w/Lock Ring .....	RW207-CCRA	1970-1965	C4 w/11 Pan Bolts:	
1965-1960	6 Cyl. Eng.:			Seal .....	14978
	Seal .....	11553		Seal & Bushing Kit .....	14982
	Bearing w/Lock Ring .....	88506-AR		(Speedi-Sleeve) .....	99149
<b>Pinion</b>				(Speedi-Sleeve/Seal Kit) .....	480148
1970-1967	6 Cyl. Eng.:		1964-1961	All:	
	Seal .....	16545		Seal .....	13685
	(Speedi-Sleeve) .....	99165		(Speedi-Sleeve) .....	99138
	Bearing (Front) .....	M86649/M86610	1960	All:	
	Bearing (Rear) .....	HM88649/HM88610		Seal .....	13676
1970-1964	8 Cyl. Eng.:			(Speedi-Sleeve) .....	99138
	Seal .....	18100	<b>Transmission-Manual</b>		
	(Speedi-Sleeve) .....	99181	<b>Countershaft</b>		
	Bearing (Front) .....	M86649/M86610	1970-1963	3 Spd. HEF, HEG, RAN & RAT Trans. w/6 & 8	
	Bearing (Rear) .....	R1558-TAV		Cyl. Engs.:	
				Bearing .....	[50] C1086-Q
					(Continued)

**Ford (RWD) Falcon, Futura -- (Cont.)**

MFG./YEAR	MODEL & LOCATION	PART NO.	MFG./YEAR	MODEL & LOCATION	PART NO.
<b>Transmission-Manual (Cont.)</b>			<b>Transmission-Manual (Cont.)</b>		
<b>Countershaft (Cont.)</b>			<b>Rear (Cont.)</b>		
1967-1960	3 Spd. HED & RED Trans. w/6 Cyl. Eng.:		1970-1964	4 Spd. Trans. w/8 Cyl. Eng.:	
	Bearing ..... [44]	C407-Q	Seal .....	15005	
<b>Front</b>			(Speedi-Sleeve) .....	99149	
1970-1968	3 Spd. Trans.:		(Speedi-Sleeve/Seal Kit) .....	480152	
	Seal .....	11123	Bearing .....	6307-NRJ	
	(Speedi-Sleeve) .....	99112	<b>1967-1965 3 Spd. Trans. w/170 Eng.:</b>		
	Bearing .....	■ 6208-NRJ	Seal .....	13676	
1970-1966	4 Spd. Trans.:		(Speedi-Sleeve) .....	99138	
	Seal .....	11123	Bearing .....	6206-NRJ	
	(Speedi-Sleeve) .....	99112	<b>1967-1965 3 Spd. Trans. w/200 Eng.:</b>		
	Bearing .....	6209-NRJ	Seal .....	15005	
1967	3 Spd. Exc. H.D. Trans.:		(Speedi-Sleeve) .....	99149	
	Seal .....	10515	(Speedi-Sleeve/Seal Kit) .....	480152	
	(Speedi-Sleeve) .....	99106	Bearing .....	■ 6207-NRJ	
	Bearing .....	■ 6207-NRJ	<b>1967-1964 3 Spd. Trans. w/8 Cyl. Eng.:</b>		
1967	3 Spd. H.D. Trans.:		Seal .....	15005	
	Seal .....	11123	(Speedi-Sleeve) .....	99149	
	(Speedi-Sleeve) .....	99112	(Speedi-Sleeve/Seal Kit) .....	480152	
	Bearing .....	■ 6208-NRJ	Bearing .....	■ 6207-NRJ	
1966-1964	3 Spd. Trans. w/8 Cyl. Eng.:		<b>1964-1963 3 Spd. Trans. w/6 Cyl. Eng.:</b>		
	Seal .....	11123	Seal .....	13676	
	(Speedi-Sleeve) .....	99112	(Speedi-Sleeve) .....	99138	
	Bearing .....	■ 6208-NRJ	Bearing .....	6206-NRJ	
1966-1963	3 Spd. Trans. w/6 Cyl. Eng.:		<b>1964-1962 4 Spd. Trans. w/6 Cyl. Eng.:</b>		
	Seal .....	10515	Seal .....	13676	
	(Speedi-Sleeve) .....	99106	(Speedi-Sleeve) .....	99138	
	Bearing .....	■ 6207-NRJ	Bearing .....	6307-NRJ	
1965-1964	4 Spd. Ford Trans.:		<b>1962-1960 3 Spd. Trans.:</b>		
	Seal .....	11123	Seal .....	13676	
	(Speedi-Sleeve) .....	99112	(Speedi-Sleeve) .....	99138	
	Bearing .....	6209-NRJ	Bearing .....	6206-NRJ	
1965-1964	4 Spd. Warner Trans.:		<b>Reverse Idler</b>		
	Seal .....	11123	1970-1964 4 Spd. Ford Trans.:		
	(Speedi-Sleeve) .....	99112	Bearing .....	[44] C407-Q	
	Bearing .....	6307-NRJ	<b>Shift Shaft</b>		
1963	4 Spd. Trans.:		1967 w/o H.D. Trans.:		
	Seal .....	11123	Seal .....	6130	
	(Speedi-Sleeve) .....	99112	(Speedi-Sleeve) .....	99062	
	Bearing .....	6307-NRJ	<b>1966-1963 6 Cyl. Eng.:</b>		
1962-1960	3 Spd. Trans.:		Seal .....	6130	
	Seal .....	10515	(Speedi-Sleeve) .....	99062	
	(Speedi-Sleeve) .....	99106	<b>1962-1960 All:</b>		
	Bearing .....	■ 6207-NRJ	Seal .....	6130	
<b>Mainshaft Pilot</b>			(Speedi-Sleeve) .....	99062	
1970-1964	4 Spd. Ford Trans.:		<b>Air Conditioning Clutch</b>		
	Bearing .....	[15] QBR23549	1970-1965 All:		
1970-1963	3 Spd. HEF, HEG, RAN & RAT Trans. w/6 & 8 Cyl. Eng.:		Bearing .....	5106-WCC	
	Bearing .....	[15] QBR23549	<b>1964 260 Eng.:</b>		
1967-1960	3 Spd. HED & RED Trans. w/6 Cyl. Eng.:		Bearing .....	6203-2RSJ	
	Bearing .....	[13] C1110-Q	<b>Alternator</b>		
<b>Rear</b>			1970-1963 All:		
1970-1968	3 Spd. Trans.:		Bearing (Front) .....	6203-2RSJ	
	Seal .....	15005	Bearing (Rear) .....	MNJ471-S	
	(Speedi-Sleeve) .....	99149	<b>Engine</b>		
	(Speedi-Sleeve/Seal Kit) .....	480152	<b>Crankshaft-Rear</b>		
	Bearing .....	■ 6207-NRJ	1970-1964 8 Cyl. Eng.:		
			Seal (Rope) .....	196	
			Seal (Rubber) .....	205	
				(Continued)	

MFG./YEAR	MODEL & LOCATION	PART NO.	MFG./YEAR	MODEL & LOCATION	PART NO.
<b>Engine (Cont.)</b>			<b>Steering-Power</b>		
<b>Crankshaft-Rear (Cont.)</b>			<b>Pump Shaft</b>		
1970-1960 6 Cyl. Eng.:			1970-1968 All:		
	Seal (Rope)	196		Seal	6765
	Seal (Rubber)	204	1967-1965 Eaton Pump:		
<b>Timing Cover</b>			Seal		
1970 6 Cyl. 250 Eng.:			1967-1965 Ford Pump:		
	Seal (Viton)	18546		Seal	6765
	Seal	18562	1964-1962 All:		
	(Speedi-Sleeve)	99187		Seal	7465
	(Speedi-Sleeve/Seal Kit)	480186	<b>Steering-Standard</b>		
1970-1964 8 Cyl. Eng.:			<b>Housing</b>		
	Seal (Viton)	18546	1970-1967 All:		
	Seal	18562		Seal	11081
	(Speedi-Sleeve)	99187		Bearing	B1616
	(Speedi-Sleeve/Seal Kit)	480186	1966 1.00" Sh.:		
1970-1963 6 Cyl. Exc. 250 Eng.:				Seal	9835
	Seal	17271	1966 1.125" Sh.:		
	(Speedi-Sleeve)	99174		Seal	11081
1962-1960 All:				Bearing	B1616
	Seal	17271	1965-1964 All:		
	(Speedi-Sleeve)	99174		Seal	9835
<b>Generator</b>			1963 1.00" Sh.:		
1965 All:				Seal	9835
	Bearing (Front)	6203-2RSJ		Bearing	B1616
	Bearing (Rear)	6200-2RSJ	1963 1.25" Sh.:		
1964-1960 w/o H.D.:				Seal	11081
	Bearing (Front)	6203-2RSJ	1962-1961 All:		
	Bearing (Rear)	6200-2RSJ		Seal	9835
1964-1960 H.D.:			1960 Exc. Saginaw Gear:		
	Bearing (Front)	6204-2RSJ		Seal	9835
	Bearing (Rear)	6203-J	1960 Saginaw Gear:		
				Seal	11065

**Ford (RWD) Granada, LTD (from 1983)**

<b>Wheel Front</b>			<b>Wheel Rear (Cont.)</b>		
1986-1981 All:			1978-1977 9.00" Ring Gear w/Rr. Drum Brks.:		
	Seal	19221		Seal	13700
	Bearing (Inner)	BR17		Sealed Bearing w/Lock Ring	RW207-CCRA
	(Set Components)	L68149/L68111	1978-1975 8.70" Ring Gear:		
	Bearing (Outer)	BR12		Seal	13992
	(Set Components)	LM12749/LM12710		Bearing	R1563-TAV
1980-1975 All:				(Axle Repair Brg. Assy.)	• R1563
	Seal	19221	1978-1975 9.00" Ring Gear w/Rr. Disc Brks.:		
	Bearing (Inner)	BR13		Seal (Inner)	15142
	(Set Components)	L68149/L68110		Seal (Outer)	19773
	Bearing (Outer)	BR12		Sealed Bearing w/Lock Ring	88128-R
	(Set Components)	LM12749/LM12710	<b>Pinion</b>		
<b>Wheel Rear</b>			1986-1981 All:		
1986-1981 All:				Seal	18136
	Seal	13992		(Speedi-Sleeve)	99181
	Bearing	R1563-TAV		Bearing (Front)	BR52
	(Axle Repair Brg. Assy.)	• R1563		(Set Components)	M88048/M88010
1980 9.00" Ring Gear:				Bearing (Rear)	M802048/M802011
	Seal	13700	1980-1975 8.00" Ring Gear:		
	Sealed Bearing w/Lock Ring	RW207-CCRA		Seal	18100
1980-1975 8.00" Ring Gear:				(Speedi-Sleeve)	99181
	Seal	13700		Bearing	[2] M86649/M86610
	Sealed Bearing w/Lock Ring	RW207-CCRA		Bearing (Pilot)	R1558-TAV
					(Continued)

**Ford (RWD) Granada, LTD (from 1983) -- (Cont.)**

MFG./YEAR	MODEL & LOCATION	PART NO.	MFG./YEAR	MODEL & LOCATION	PART NO.
<b>Pinion (Cont.)</b>			<b>Transmission-Automatic (Cont.)</b>		
<b>1980-1975 9.00" Ring Gear:</b>			<b>Front Pump (Cont.)</b>		
	Seal .....	18833	<b>1980-1977 Jatco Trans.:</b>		
	(Speedi-Sleeve) .....	99181		Seal .....	16514
	Bearing .....	[2] BR52		(Speedi-Sleeve) .....	99169
	(Set Components) .....	M88048/M88010	<b>Rear</b>		
	Bearing (Pilot) .....	R1535-TAV	<b>1986-1980 C3 Trans.:</b>		
<b>1978-1975 8.70" Ring Gear:</b>				Seal .....	13685
	Seal .....	18136		(Speedi-Sleeve) .....	99138
	Bearing (Front) .....	BR52	<b>1986-1975 AOT, C4, C5 &amp; Jatco Trans.:</b>		
	(Set Components) .....	M88048/M88010		Seal .....	14978
	Bearing (Pilot) .....	R1535-TAV		Seal & Bushing Kit .....	14982
	Bearing (Rear) .....	M802048/M802011		(Speedi-Sleeve) .....	99149
				(Speedi-Sleeve/Seal Kit) .....	480148
<b>Differential</b>			<b>Shift Shaft</b>		
<b>1986-1981 All:</b>			<b>1986-1975 AOT, C3, C4 &amp; C5 Trans.:</b>		
	Bearing .....	[2] BR72		Seal .....	7556
	(Set Components) .....	LM501349/LM501314		(Speedi-Sleeve) .....	99076
<b>1980-1975 w/o 8.00" Ring Gear:</b>			<b>Transmission-Manual</b>		
	Bearing .....	[2] BR50	<b>Countershaft</b>		
	(Set Components) .....	LM102949/LM102910	<b>1983-1981 4 Spd. German Trans.:</b>		
<b>1980-1975 8.00" Ring Gear:</b>				Bearing (Front) .....	[21] B1316-Q
	Bearing .....	[2] BR35		Bearing (Rear) .....	[21] C407-Q
	(Set Components) .....	LM501349/LM501310	<b>1983-1977 4 Spd. RUG Trans.:</b>		
<b>Kit</b>				Bearing .....	[42] QAR33724
<b>1982-1981 7.50" Ring Gear:</b>			<b>1976-1975 3 Spd. RAN Trans.:</b>		
	Standard Seal and Bearing Kit Rear .....	SDK315		Bearing .....	[50] C1086-Q
<b>1980-1975 8.00" Ring Gear:</b>			<b>Front</b>		
	Standard Seal and Bearing Kit Rear .....	SDK310	<b>1983-1981 4 Spd. German Trans.:</b>		
<b>1980-1975 9.00" Ring Gear:</b>				Seal .....	10930
	Standard Seal and Bearing Kit Rear .....	SDK313		(Speedi-Sleeve) .....	99111
<b>Clutch</b>				Bearing .....	■ 6207-NJ
<b>Pilot</b>			<b>1983-1977 4 Spd. RUG Trans.:</b>		
<b>1986-1981 4 Cyl. Eng.:</b>				Seal .....	11123
	Bearing .....	FC65354		(Speedi-Sleeve) .....	99112
<b>1982-1975 6 &amp; 8 Cyl. Eng.:</b>				Bearing .....	6209-NRJ
	Bearing .....	B65174	<b>1976-1975 3 Spd. RAN Trans.:</b>		
<b>1979-1975 From 5/1/74:</b>				Seal .....	11123
	Bearing .....	B65174		(Speedi-Sleeve) .....	99112
<b>Release</b>				Bearing .....	■ 6208-NJ
<b>1986-1981 4 Cyl. Eng. w/German Trans.:</b>			<b>Mainshaft Pilot</b>		
	Bearing Only .....	N1054	<b>1983-1977 4 Spd. RUG Trans.:</b>		
	(Self-Aligning) .....	N1705-SA		Bearing .....	[15] QBR23549
<b>1980 6 Cyl. Eng. w/o German Trans.:</b>			<b>1976-1975 3 Spd. RAN Trans.:</b>		
	Bearing Assembly .....	N1714		Bearing .....	[15] QBR23549
	(Self-Aligning) .....	N1714-SA	<b>Rear</b>		
<b>1979-1975 250 &amp; 302 Eng.:</b>			<b>1983-1981 4 Spd. German Trans.:</b>		
	Bearing Assembly .....	N1714		Seal .....	13527
	(Self-Aligning) .....	N1714-SA		(Speedi-Sleeve) .....	99138
<b>1977-1975 200 Eng.:</b>			<b>1983-1980 4 Spd. RUG Trans.:</b>		
	Bearing Assembly .....	N1444		Seal .....	14978
	(Self-Aligning) .....	N1444-SA		(Speedi-Sleeve) .....	99149
	(Heavy Duty) .....	N1439		(Speedi-Sleeve/Seal Kit) .....	480148
<b>Transmission-Automatic</b>				Bearing .....	6307-NRJ
<b>Front Pump</b>			<b>1979-1977 4 Spd. RUG Trans.:</b>		
<b>1986-1980 C3 Trans.:</b>				Seal .....	15005
	Seal .....	16225		(Speedi-Sleeve) .....	99149
<b>1986-1975 AOT, C4 &amp; C5 Trans.:</b>				(Speedi-Sleeve/Seal Kit) .....	480152
	Seal .....	19807		Bearing .....	6307-NRJ
	(Speedi-Sleeve) .....	99199	<b>(Continued)</b>		
	(Speedi-Sleeve/Seal Kit) .....	480198			

# Passenger cars, light & medium trucks

(Cont.) -- Ford (RWD) Granada, LTD (from 1983)

MFG./YEAR	MODEL & LOCATION	PART NO.	MFG./YEAR	MODEL & LOCATION	PART NO.
<b>Transmission-Manual (Cont.)</b>			<b>Engine (Cont.)</b>		
<b>Rear (Cont.)</b>			<b>Crankshaft-Rear (Cont.)</b>		
1976-1975 3 Spd. RAN Trans.:			1977-1975 200 (3.3L) Eng.:		
	Seal .....	14978		Seal (Rope) .....	196
	Seal & Bushing Kit .....	14982		Seal (Rubber) .....	204
	(Speedi-Sleeve) .....	99149	1977-1975 351 (5.8L) Eng.:		
	(Speedi-Sleeve/Seal Kit) .....	480148		Seal (Rope) .....	196
	Bearing .....	■ 6207-NRJ		Seal (Rubber) .....	211
<b>Reverse Idler</b>			<b>Accessory Drive Belt Idler</b>		
1983-1980 4 Spd. RUG Trans.:			1986-1982 2.3L, 3.8L, 4.2L & 5.0L Engs.:		
	Bearing .....	[44] C407-Q		Bearing (Pulley) .....	VKM900022
<b>Shift Shaft</b>			<b>Timing Belt Tensioner</b>		
1980-1979 4 Spd. RUG Trans.:			1986-1981 140 (2.3L) Eng.:		
	Seal .....	5510		Bearing & Housing Assy. ....	VKM54001
	(Speedi-Sleeve) .....	99056	<b>Timing Belt and Tensioner Kit</b>		
<b>Air Conditioning Clutch</b>			1986-1981 2.3L Eng.:		
1986-1975 2 Cyl. Comp.:				Belt & Tensioner Kit .....	VKMA44001
	Bearing .....	5106-WCC	<b>Timing Cover</b>		
1984-1983 Swash Plate Comp.:			1986-1982 230 (3.8L) Eng.:		
	Bearing .....	AC1		Seal (Viton) .....	18544
1980-1976 Swash Plate Comp.:				Seal .....	18548
	Bearing .....	5908-VAW		(Speedi-Sleeve) .....	99187
<b>Alternator</b>				(Speedi-Sleeve/Seal Kit) .....	480185
1986-1975 All:			1986-1981 140 (2.3L) Eng.:		
	Bearing (Front) .....	6203-2RSJ		Seal (Viton) .....	17107
	Bearing (Rear) .....	MNJ471-S		Seal .....	17106
<b>Engine</b>			1985-1979 302 (5.0L) Eng.:		
<b>Auxiliary Shaft</b>				Seal (Viton) .....	18544
1986-1981 140 (2.3L) Eng.:				Seal .....	18548
	Seal (Viton) .....	17107		(Speedi-Sleeve) .....	99187
	Seal .....	17106		(Speedi-Sleeve/Seal Kit) .....	480185
<b>Camshaft</b>			1983-1981 200 (3.3L) Eng.:		
1986-1981 140 (2.3L) Eng.:				Seal .....	17271
	Seal (Viton) .....	17107		(Speedi-Sleeve) .....	99174
	Seal .....	17106	1981-1980 255 (4.2L) Eng.:		
<b>Crankshaft-Rear</b>				Seal (Viton) .....	18544
1986-1983 230 (3.8L) Eng. From 1/83:				Seal .....	18548
	Seal .....	36147		(Speedi-Sleeve) .....	99187
	(Speedi-Sleeve) .....	99362		(Speedi-Sleeve/Seal Kit) .....	480185
1986-1982 140 (2.3L) Eng. From 9/28/81:			1980-1975 250 (4.1L) Eng.:		
	Seal .....	36147		Seal (Viton) .....	18546
	(Speedi-Sleeve) .....	99362		Seal .....	18562
1985-1984 302 (5.0L) Eng.:				(Speedi-Sleeve) .....	99187
	Seal .....	36147		(Speedi-Sleeve/Seal Kit) .....	480186
	(Speedi-Sleeve) .....	99362	1978-1975 302 (5.0L) & 351 W (5.8L) Engs.:		
1983-1982 230 (3.8L) Eng. Thru 12/82:				Seal (Viton) .....	18546
	Seal (Rope) .....	196		Seal .....	18562
	Seal (Rubber) .....	205		(Speedi-Sleeve) .....	99187
1983-1981 200 (3.3L) Eng.:				(Speedi-Sleeve/Seal Kit) .....	480186
	Seal (Rope) .....	196	1977-1975 200 (3.3L) Eng.:		
	Seal (Rubber) .....	204		Seal .....	17270
1982-1981 140 (2.3L) Eng. Thru 9/27/81:				(Speedi-Sleeve) .....	99174
	Seal (Rope) .....	196	1976-1975 351 M (5.8L) Eng.:		
	Seal (Rubber) .....	205		Seal (Viton) .....	18544
1981-1980 255 (4.2L) Eng.:				Seal .....	18548
	Seal (Rope) .....	196		(Speedi-Sleeve) .....	99187
	Seal (Rubber) .....	205		(Speedi-Sleeve/Seal Kit) .....	480185
1980-1975 250 (4.1L) & 302 (5.0L) Engs.:					(Continued)
	Seal (Rope) .....	196			
	Seal (Rubber) .....	205			

**Ford (RWD) Granada, LTD (from 1983) -- (Cont.)**

MFG./YEAR	MODEL & LOCATION	PART NO.	MFG./YEAR	MODEL & LOCATION	PART NO.
<b>Steering-Power</b>			<b>Steering-Standard</b>		
<b>Pitman Shaft</b>			<b>Pitman Shaft</b>		
1980-1975 All:			1980-1975 All:		
Seal		11081	Seal		11081
<b>Pump Shaft</b>					
1986-1975 Ford Pump:					
Seal		6765			
1979 Saginaw Pump:					
Seal		7475			

**Ford (RWD) Mustang, Mustang II, Mustang GT**

<b>Wheel Front</b>			<b>Wheel Front (Cont.)</b>		
1995-1994 All:			1969-1967 Drum Brks. Exc. Boss:		
Hub Assembly		BR930250	Seal		19221
1993-1984 302 (5.0L) Eng. & SVO Option:			Bearing (Inner)		BR6
Seal		19223	(Set Components)		LM67048/LM67010
Bearing (Inner)		BR5	Bearing (Outer)		BR2
(Set Components)		LM48548/LM48510	(Set Components)		LM11949/LM11910
Bearing (Outer)		BR12	1969-1967 Disc Brks. Exc. Boss:		
(Set Components)		LM12749/LM12710	Seal		19221
1993-1984 w/o 302 (5.0L) Eng. & SVO Option:			Bearing (Inner)		BR6
Seal		19221	(Set Components)		LM67048/LM67010
Bearing (Inner)		BR17	Bearing (Outer)		BR2
(Set Components)		L68149/L68111	(Set Components)		LM11949/LM11910
Bearing (Outer)		BR12	1966-1964 6 Cyl. Eng. & Drum Brks.:		
(Set Components)		LM12749/LM12710	Seal		15509
1983-1980 All:			Bearing (Inner)		BR4
Seal		19221	(Set Components)		L44649/L44610
Bearing (Inner)		BR17	Bearing (Outer)		BR1
(Set Components)		L68149/L68111	(Set Components)		LM11749/LM11710
Bearing (Outer)		BR12	1966-1964 8 Cyl. Eng. & Drum Brks.:		
(Set Components)		LM12749/LM12710	Seal		19221
1979 w/o 6.75" Ring Gear:			Bearing (Inner)		BR6
Seal		19221	(Set Components)		LM67048/LM67010
Bearing (Inner)		BR17	Bearing (Outer)		BR2
(Set Components)		L68149/L68111	(Set Components)		LM11949/LM11910
Bearing (Outer)		BR12	1965 Disc Brks.:		
(Set Components)		LM12749/LM12710	Seal		19219
1979-1975 6.75" Ring Gear:			Bearing (Inner)		BR6
Seal		19221	(Set Components)		LM67048/LM67010
Bearing (Inner)		BR5	Bearing (Outer)		BR2
(Set Components)		LM48548/LM48510	(Set Components)		LM11949/LM11910
Bearing (Outer)		BR12	<b>Wheel Rear</b>		
(Set Components)		LM12749/LM12710	1995-1979 7.50" & 8.80" Ring Gears:		
1978-1975 w/o 6.75" Ring Gear:			Seal		13992
Seal		19221	Bearing		R1563-TAV
Bearing (Inner)		BR13	(Axle Repair Brg. Assy.)		• R1563
(Set Components)		L68149/L68110	1982 6.75" Ring Gear:		
Bearing (Outer)		BR12	Seal		13700
(Set Components)		LM12749/LM12710	Sealed Bearing w/Lock Ring		RW207-CCRA
1974-1970 All:			1981-1979 6.75" Ring Gear:		
Seal		19221	Seal		13985
Bearing (Inner)		BR13	Sealed Bearing w/Lock Ring		RW207-CCRA
(Set Components)		L68149/L68110	1978 6.75" Ring Gear:		
Bearing (Outer)		BR12	Seal		12396
(Set Components)		LM12749/LM12710	Sealed Bearing w/Lock Ring		RW207-CCRA
1969 Boss w/Disc Brks.:			1978 8.00" Ring Gear:		
Seal		19221	Seal		13985
Bearing (Inner)		BR5	Sealed Bearing w/Lock Ring		RW207-CCRA
(Set Components)		LM48548/LM48510			(Continued)
Bearing (Outer)		BR3			
(Set Components)		M12649/M12610			

MFG./YEAR	MODEL & LOCATION	PART NO.	MFG./YEAR	MODEL & LOCATION	PART NO.
<b>Wheel Rear (Cont.)</b>			<b>Pinion (Cont.)</b>		
1977-1976	6.75" & 8.00" Ring Gears:		1973-1965	9.00" Ring Gear w/28 Spline Axle Sh.:	
	Seal .....	13985		Seal .....	18833
	Sealed Bearing w/Lock Ring .....	RW207-CCRA		(Speedi-Sleeve) .....	99181
1975-1974	6.75" & 8.00" Ring Gears:			Bearing .....	[2] BR52
	Seal (1.250" Shaft) .....	12396		(Set Components) .....	M88048/M88010
	Seal (1.365" Shaft) .....	13985		Bearing (Pilot) .....	R1535-TAV
	Sealed Bearing w/Lock Ring .....	RW207-CCRA	1970-1965	7.25" Ring Gear:	
1973-1970	8.00" & 9.00" Ring Gears w/o WFD Axle:			Seal .....	18100
	Seal .....	13700		(Speedi-Sleeve) .....	99181
	Sealed Bearing w/Lock Ring .....	RW207-CCRA		Bearing (Front) .....	M86649/M86610
1973-1969	WFD Axle w/8.0" & 9.0" Ring Gears:			Bearing (Pilot) .....	R1558-TAV
	Seal .....	14968		Bearing (Rear) .....	HM89446/HM89410
	Sealed Bearing w/Lock Ring .....	RW207-CCRA	<b>Differential</b>		
1970-1969	WCY Axle w/7.25" Ring Gear & 24 Spline Sh.:		1995-1986	8.80" Ring Gear w/Iron Hsg.:	
	Seal .....	13419		Bearing .....	[2] BR36
	Sealed Bearing w/Lock Ring .....	RWF34-R		(Set Components) .....	LM603049/LM603012
1968-1967	6 Cyl. Eng.:		1995-1979	6.75" & 7.50" Ring Gears:	
	Seal .....	13419		Bearing .....	[2] BR72
	Sealed Bearing w/Lock Ring .....	RWF34-R		(Set Components) .....	LM501349/LM501314
1968-1967	8 Cyl. Eng.:		1978-1974	6.75" Ring Gear:	
	Seal .....	13700		Bearing .....	[2] BR5
	Sealed Bearing w/Lock Ring .....	RW207-CCRA		(Set Components) .....	LM48548/LM48510
1966-1964	6 Cyl. Eng.:		1978-1973	8.00" Ring Gear:	
	Seal .....	13350		Bearing .....	[2] BR35
	Sealed Bearing w/Lock Ring .....	RWF34-R		(Set Components) .....	LM501349/LM501310
1966-1964	8 Cyl. Eng.:		1973-1971	9.00" Ring Gear:	
	Seal .....	13598		Bearing .....	[2] BR50
	Sealed Bearing w/Lock Ring .....	RW207-CCRA		(Set Components) .....	LM102949/LM102910
<b>Pinion</b>			1972-1967	7.75" & 8.00" Ring Gears:	
1995-1979	7.50" & 8.80" Ring Gears:			Bearing .....	[2] BR35
	Seal .....	18136		(Set Components) .....	LM501349/LM501310
	(Speedi-Sleeve) .....	99181	1970-1965	9.00" Ring Gear Exc. H.D.:	
	Bearing (Front) .....	BR52		Bearing .....	[2] BR35
	(Set Components) .....	M88048/M88010		(Set Components) .....	LM501349/LM501310
	Bearing (Rear) .....	M802048/M802011	1970-1965	9.00" Ring Gear w/H.D.:	
1982-1979	6.75" Ring Gear:			Bearing .....	[2] BR37
	Seal .....	18100		(Set Components) .....	LM603049/LM603011
	(Speedi-Sleeve) .....	99181	1970-1964	WCY Axle:	
	Bearing (Front) .....	M86649/M86610		Bearing .....	[2] LM29749/LM29710
	Bearing (Rear) .....	BR90	1966-1964	WCL, WCZ & WDJ Axles:	
	(Set Components) .....	HM88648/HM88610		Bearing .....	[2] BR35
1978-1974	6.75" Ring Gear:			(Set Components) .....	LM501349/LM501310
	Seal .....	18100	<b>Kit</b>		
	(Speedi-Sleeve) .....	99181	1995-1986	8.80" Ring Gear:	
	Bearing (Front) .....	M86649/M86610		Standard Seal and Bearing Kit Rear .....	SDK311
	Bearing (Pilot) .....	R1558-TAV		Master Seal and Bearing Kit Rear .....	SDK311-MK
	Bearing (Rear) .....	BR52	1995-1979	7.50" Ring Gear:	
	(Set Components) .....	M88048/M88010		Standard Seal and Bearing Kit Rear .....	SDK315
1978-1965	8.00" Ring Gear:		1973-1970	9.00" 31 spline STSP 5/11/1970 Ring Gear:	
	Seal .....	18100		Standard Seal and Bearing Kit Rear .....	SDK313
	(Speedi-Sleeve) .....	99181	1973-1964	8.00" Ring Gear:	
	Bearing .....	[2] M86649/M86610		Standard Seal and Bearing Kit Rear .....	SDK310
	Bearing (Pilot) .....	R1558-TAV	1970-1965	9.00" 28 spline ENSP 5/10/70 Ring Gear:	
1973-1967	9.00" Ring Gear w/31 Spline Sh.:			Standard Seal and Bearing Kit Rear .....	SDK312
	Seal .....	18833	<b>Clutch</b>		
	(Speedi-Sleeve) .....	99181	<b>Pilot</b>		
	Bearing (Front) .....	BR52	1995-1980	6 & 8 Cyl. Eng. w/o German Trans.:	
	(Set Components) .....	M88048/M88010		Bearing .....	B65174
	Bearing (Pilot) .....	R1535-TAV	1993-1974	140 (2.3L) Eng.:	
	Bearing (Rear) .....	HM89443/HM89410		Bearing .....	FC65354

(Continued)

Ford (RWD) Mustang, Mustang II, Mustang GT -- (Cont.)

MFG./YEAR	MODEL & LOCATION	PART NO.	MFG./YEAR	MODEL & LOCATION	PART NO.
<b>Clutch (Cont.)</b>			<b>Transmission-Automatic (Cont.)</b>		
<b>Pilot (Cont.)</b>			<b>Rear (Cont.)</b>		
1979-1976	200 (3.3L) & 302 (5.0L) Engs.:		1995-1973	AODE/AODE-W, AOT, C4 & C5 Trans. w/Boot:	
	Bearing .....	B65174	Seal .....		14978
1979-1974	171 (2.8L) Eng.:		(Speedi-Sleeve) .....		99149
	Bearing .....	N3057	(Speedi-Sleeve/Seal Kit) .....		480148
1973	All:		Seal & Bushing Kit .....		14982
	Bearing .....	N3058	1973	Cruise-O-Matic & C6 Trans.:	
1971-1968	w/o 200, 352, 390, 427, 428 & 429 Engs.:		Seal .....		16725
	Bushing .....	B50-J	Seal & Bushing Kit .....		16727
1971-1967	8 Cyl. w/o 289 & 302 Engs.:		(Speedi-Sleeve) .....		99168
	Bushing .....	B50-HD	(Speedi-Sleeve/Seal Kit) .....		480168
<b>Release</b>			1972-1964	w/o 390, 427 & 428 Engs.:	
1995-1979	w/o German Trans.:		Seal .....		16725
	Bearing Assembly .....	N1714	(Speedi-Sleeve) .....		99168
	(Self-Aligning) .....	N1714-SA	(Speedi-Sleeve/Seal Kit) .....		480168
1986-1979	German Trans.:		1970-1967	390, 427 & 428 Engs.:	
	Bearing Only .....	N1054	Seal .....		14978
	(Self-Aligning) .....	N1705-SA	(Speedi-Sleeve) .....		99149
1978-1974	Exc. '74 4 Cyl. w/German Trans.:		(Speedi-Sleeve/Seal Kit) .....		480148
	Bearing Assembly .....	N1714	<b>Shift Shaft</b>		
	(Self-Aligning) .....	N1714-SA	1995-1990	A4LD, AODE-W, 4R70W & 4R75W Trans.:	
1974	4 Cyl. w/German Trans.:		Seal .....		7556
	Bearing Only .....	N1054	(Speedi-Sleeve) .....		99076
	(Self-Aligning) .....	N1705-SA	1993-1990	AOD Trans.:	
1973-1967	w/o 427, 428 & 429 Engs.:		Seal (Inner) .....		7556
	Bearing Assembly .....	N1444	(Speedi-Sleeve) (Inner) .....		99076
	(Self-Aligning) .....	N1444-SA	Seal (Outer) .....		3632
	(Heavy Duty) .....	N1439	<b>Transmission-Manual</b>		
1971-1968	427, 428 & 429 Engs.:		<b>Countershaft</b>		
	Bearing Only .....	N1087	1995-1985	5 Spd. Warner REP Trans.:	
	Bearing Assembly .....	N1493	Bearing .....	[2] BR6	
1966-1964	6 Cyl. Eng. w/8.5" Clutch:		(Set Components) .....	LM67048/LM67010	
	Bearing Only .....	N1181	1986-1980	German Trans.:	
	Bearing Assembly .....	N1444	Bearing (Front) .....	[19] C407-Q	
1966-1964	6 Cyl. Eng. w/9" Clutch:		Bearing (Rear) .....	[19] B1316-Q	
	Bearing Only .....	N1054	1984-1983	5 Spd. Warner REP Trans.:	
	Bearing Assembly .....	N1461	Bearing (Front) .....	LM67048/LM67010BCE	
1966-1964	8 Cyl. Eng.:		Bearing (Pilot) .....	DK55836	
	Bearing Only .....	N1586	Bearing (Rear) .....	BR6	
	Bearing Assembly .....	N1439	(Set Components) .....	LM67048/LM67010	
<b>Transmission-Automatic</b>			1983-1980	5 Spd. RAP Trans.:	
<b>Front Pump</b>			Bearing (Front) .....	BR2	
1995-1994	AODE-W, 4R70W & 4R75W Trans.:		(Set Components) .....	LM11949/LM11910	
Seal .....		19799	Bearing (Rear) .....	BR6	
(Reorder:) .....		+20031	(Set Components) .....	LM67048/LM67010	
(Speedi-Sleeve) .....		99196	1983-1977	4 Spd. RUG Trans.:	
1995-1974	A4LD & C3 Trans.:		Bearing .....	[42] QAR33724	
Seal .....		16225	1982-1974	4 Spd. RAD Trans.:	
1993-1964	w/o A4LD & C3 Trans.:		Bearing .....	[50] C1086-Q	
Seal .....		19807	1979-1974	4 Spd. German Trans.:	
(Speedi-Sleeve) .....		99199	Bearing (Front) .....	[42] B1316-Q	
(Speedi-Sleeve/Seal Kit) .....		480198	Bearing (Rear) .....	[42] C407-Q	
<b>Rear</b>			1973	4 Spd. RUG Trans.:	
1995-1974	A4LD & C3 Trans.:		Bearing .....	[42] QAR33724	
Seal .....		13685	1973-1967	3 Spd. Trans.:	
(Speedi-Sleeve) .....		99138	Bearing .....	[50] C1086-Q	
1995-1973	AODE/AODE-W, AOT, C4 & C5 Trans. w/o Boot:		1966-1964	3 Spd. Trans. w/6 Cyl. Eng.:	
Seal .....		15005	Bearing .....	[44] C407-Q	
(Speedi-Sleeve) .....		99149	1966-1964	3 Spd. Trans. w/8 Cyl. Eng.:	
(Speedi-Sleeve/Seal Kit) .....		480152	Bearing .....	[50] C1086-Q	

(Continued)

For explanation of symbols ●⊕+■◇▲[ ] within (text), see page 1A.  
 Para una explicación de los símbolos ●⊕+■◇▲[ ] en el (texto), vea página 1B.  
 Pour une explication des symboles ●⊕+■◇▲[ ] dans (texte), voir page 1C.





# Passenger cars, light & medium trucks

## (Cont.) -- Ford (RWD) Mustang, Mustang II, Mustang GT

MFG./YEAR	MODEL & LOCATION	PART NO.	MFG./YEAR	MODEL & LOCATION	PART NO.
<b>Transmission-Manual (Cont.)</b>			<b>Transmission-Manual (Cont.)</b>		
<b>First Speed Gear</b>			<b>Front (Cont.)</b>		
1995-1983	5 Spd. Warner REP Trans.:		1973-1967	3 Spd. RAN Trans.:	
	Bearing .....	B1316-Q	Seal .....		11123
<b>Front</b>			(Speedi-Sleeve) .....		99112
1995-1987	5 Spd. Warner Trans. w/8 Cyl. Eng. Exc. Cobra:		Bearing .....	■	6208-NRJ
	Seal .....	12363	1971-1970	4 Spd. RUG Trans. w/428 & 429 Engs.:	
	(Speedi-Sleeve) .....	99125	Seal .....		13512
	Bearing .....	BR5	(Speedi-Sleeve) .....		99138
	(Set Components) .....	LM48548/LM48510	Bearing .....		6209-NRJ
1994-1993	Mustang Cobra:		1969-1964	4 Spd. Dagenham Trans. w/8 Cyl. Eng.:	
	Seal .....	12363	Seal .....		11123
	(Speedi-Sleeve) .....	99125	(Speedi-Sleeve) .....		99112
	Bearing .....	BR1	Bearing .....		6307-NRJ
	(Set Components) .....	LM11749/LM11710	1969-1964	4 Spd. Ford Trans. w/8 Cyl. Eng.:	
1993-1987	5 Spd. Warner REP Trans. w/4 Cyl. Eng.:		Seal .....		11123
	Seal .....	12363	(Speedi-Sleeve) .....		99112
	(Speedi-Sleeve) .....	99125	Bearing .....		6209-NRJ
	Bearing .....	BR52	1966-1964	3 Spd. Trans. w/6 Cyl. Eng.:	
	(Set Components) .....	M88048/M88010	Seal .....		10515
1986-1983	5 Spd. Warner REP Trans.:		(Speedi-Sleeve) .....		99106
	Seal .....	12363	Bearing .....	■	6207-NRJ
	(Speedi-Sleeve) .....	99125	1966-1964	3 Spd. Trans. w/8 Cyl. Eng.:	
	Bearing .....	BR5	Seal .....		11123
	(Set Components) .....	LM48548/LM48510	(Speedi-Sleeve) .....		99112
1986-1973	German Trans.:		Bearing .....	■	6208-NRJ
	Seal .....	10930	<b>Mainshaft Pilot</b>		
	(Speedi-Sleeve) .....	99111	1995-1983	5 Spd. Warner REP Trans.:	
	Bearing .....	■	6207-ZNJ	Bearing .....	[15] QBR23549
1983-1980	5 Spd. RAP Trans.:		1983-1980	5 Spd. RAP Trans.:	
	Seal .....	10930	Bearing .....		[15] QBR23549
	(Speedi-Sleeve) .....	99111	1983-1977	4 Spd. RUG Trans.:	
	Bearing .....	BR5	Bearing .....		[15] QBR23549
	(Set Components) .....	LM48548/LM48510	1982-1974	4 Spd. RAD Trans.:	
1982-1979	4 Spd. RAD Trans.:		Bearing .....		[15] QBR23549
	Seal .....	11111	1981-1974	5 Spd. RAD Trans.:	
	(Speedi-Sleeve) .....	99112	Bearing .....		[50] C1086-Q
	Bearing .....	■	6207-NRJ	1973-1967	3 Spd. Trans.:
1979-1974	5 Spd. RAD Trans.:		Bearing .....		[15] QBR23549
	Seal .....	11123	1973-1964	4 Spd. Ford Trans. w/8 Cyl. Eng.:	
	(Speedi-Sleeve) .....	99112	Bearing .....		[15] QBR23549
	Bearing .....	■	6208-NRJ	1966-1964	3 Spd. Trans. w/6 Cyl. Eng.:
1978-1976	4 Spd. RAD Trans. w/8 Cyl. Eng.:		Bearing .....		[13] C1110-Q
	Seal .....	11123	1966-1964	3 Spd. Trans. w/8 Cyl. Eng.:	
	(Speedi-Sleeve) .....	99112	Bearing .....		[15] QBR23549
	Bearing .....	■	6208-NRJ	<b>Rear</b>	
1978-1976	4 Spd. RAD Trans. w/4 & 6 Cyl. Engs.:		1995-1994	5 Spd. Warner Trans.:	
	Seal .....	11111	Seal .....		14652
	(Speedi-Sleeve) .....	99112	Bearing .....		BR25877/BR25821
	Bearing .....	■	6207-NRJ	1993-1983	5 Spd. Warner REP Trans.:
1975-1974	4 Spd. RAD Trans.:		Seal .....		14978
	Seal .....	11111	(Speedi-Sleeve) .....		99149
	(Speedi-Sleeve) .....	99112	(Speedi-Sleeve/Seal Kit) .....		480148
	Bearing .....	■	6207-NRJ	Seal & Bushing Kit .....	14982
1974	4 Spd. German Trans.:		Bearing .....		BR25877/BR25821
	Seal .....	10930	1986-1973	4 Spd. German Trans.:	
	(Speedi-Sleeve) .....	99111	Seal .....		13527
1973-1970	4 Spd. RUG Trans. w/o 428 & 429 Engs.:		(Speedi-Sleeve) .....		99138
	Seal .....	11123	Bearing .....		6108-A
	(Speedi-Sleeve) .....	99112			(Continued)
	Bearing .....	6209-NRJ			

Ford (RWD) Mustang, Mustang II, Mustang GT -- (Cont.)

MFG./YEAR	MODEL & LOCATION	PART NO.	MFG./YEAR	MODEL & LOCATION	PART NO.
<b>Transmission-Manual (Cont.)</b>			<b>Transmission-Manual (Cont.)</b>		
<b>Rear (Cont.)</b>			<b>Rear (Cont.)</b>		
<b>1983-1980 4 Spd. RUG Trans.:</b>			<b>1966-1964 3 Spd. Trans. w/8 Cyl. Eng.:</b>		
Seal		14978	Seal		15005
Seal & Bushing Kit		14982	(Speedi-Sleeve)		99149
(Speedi-Sleeve)		99149	(Speedi-Sleeve/Seal Kit)		480152
(Speedi-Sleeve/Seal Kit)		480148	Bearing		■ 6207-NRJ
Bearing		6307-NRJ	<b>1966-1964 4 Spd. German Trans.:</b>		
<b>1983-1980 5 Spd. RAP Trans.:</b>			Seal		13676
Seal		13527	(Speedi-Sleeve)		99138
(Speedi-Sleeve)		99138	<b>1966-1964 4 Spd. Warner Trans.:</b>		
Bearing		BR5	Seal		15041
(Set Components)		LM48548/LM48510	(Speedi-Sleeve)		99149
<b>1982-1980 4 Spd. RAD Trans.:</b>			(Speedi-Sleeve/Seal Kit)		480150
Seal		14978	Bearing		6307-NRJ
Seal & Bushing Kit		14982	<b>Reverse Idler</b>		
(Speedi-Sleeve)		99149	<b>1983-1979 4 Spd. RUG Trans.:</b>		
(Speedi-Sleeve/Seal Kit)		480148	Bearing		[44] C407-Q
Bearing		■ 6207-NRJ	<b>1983-1964 4 Spd. Ford Trans. w/8 Cyl. Eng.:</b>		
<b>1979 4 Spd. RAD Trans. w/4 Cyl. Eng.:</b>			Bearing		[44] C407-Q
Seal		15041	<b>Shift Shaft</b>		
(Speedi-Sleeve)		99149	<b>1983-1974 4 Spd. RAD &amp; RUG Trans.:</b>		
(Speedi-Sleeve/Seal Kit)		480150	Seal		5510
Bearing		■ 6207-NRJ	(Speedi-Sleeve)		99056
<b>1979-1977 4 Spd. RUG Trans.:</b>			<b>1982-1980 5 Spd. RAP Trans. Thru 6/14/82:</b>		
Seal		15005	Seal		6152
(Speedi-Sleeve)		99149	(Speedi-Sleeve)		99062
(Speedi-Sleeve/Seal Kit)		480152	<b>1973 3 &amp; 4 Spd. Trans.:</b>		
Bearing		6307-NRJ	Seal		6152
<b>1978-1976 4 Spd. RAD Trans. w/8 Cyl. Eng.:</b>			(Speedi-Sleeve)		99062
Seal		15041	<b>Air Conditioning Clutch</b>		
(Speedi-Sleeve)		99149	<b>1991-1965 Integral Comp. Exc. '84 140 (2.3L) &amp; 230</b>		
(Speedi-Sleeve/Seal Kit)		480150	<b>(3.8L) Engs.:</b>		
Bearing		■ 6207-NRJ	Bearing (1.1811" I.D.)		5106-WCC
<b>1978-1974 4 Spd. RAD Trans. w/4 &amp; 6 Cyl. Eng.:</b>			Bearing (1.5748" I.D.)		AC2
Seal		13739	<b>1984 140 (2.3L) &amp; 230 (3.8L) Eng.:</b>		
(Speedi-Sleeve)		99138	Bearing		AC1
Bearing		■ 6207-NRJ	<b>Alternator</b>		
<b>1973 3 Spd. RAN Trans.:</b>			<b>1993-1973 All:</b>		
Seal		14978	Bearing (Front)		6203-2RSJ
(Speedi-Sleeve)		99149	Bearing (Rear)		MNJ471-S
(Speedi-Sleeve/Seal Kit)		480148	<b>1972-1964 Exc. Boss &amp; CJ:</b>		
Bearing		■ 6207-NRJ	Bearing (Front)		6203-2RSJ
<b>1973 4 Spd. RUG Trans.:</b>			Bearing (Rear)		MNJ471-S
Seal		15005	<b>Engine</b>		
(Speedi-Sleeve)		99149	<b>Auxiliary Shaft</b>		
(Speedi-Sleeve/Seal Kit)		480152	<b>1993-1974 140 (2.3L) Eng.:</b>		
Bearing		6307-NRJ	Seal (Viton)		17107
<b>1972-1967 3 Spd. Trans.:</b>			Seal		17106
Seal		15005	<b>Camshaft</b>		
(Speedi-Sleeve)		99149	<b>1993-1974 140 (2.3L) Eng.:</b>		
(Speedi-Sleeve/Seal Kit)		480152	Seal (Viton)		17107
Bearing		■ 6207-NRJ	Seal		17106
<b>1971-1968 4 Spd. Trans. w/427, 428 &amp; 429 Eng.:</b>			<b>Crankshaft-Rear</b>		
Seal		16871	<b>1995-1994 232 (3.8L) &amp; 281 (4.6L) Eng.:</b>		
(Speedi-Sleeve)		99168	Seal		36147
Bearing		6307-NRJ	(Speedi-Sleeve)		99362
<b>1966-1964 3 Spd. Trans. w/6 Cyl. Eng.:</b>			<b>1995-1983 302 (5.0L) Eng. From 12/82:</b>		
Seal		13676	Seal		36147
(Speedi-Sleeve)		99138	(Speedi-Sleeve)		99362
Bearing		6206-NRJ			(Continued)

# Passenger cars, light & medium trucks

## (Cont.) -- Ford (RWD) Mustang, Mustang II, Mustang GT

MFG./YEAR	MODEL & LOCATION	PART NO.	MFG./YEAR	MODEL & LOCATION	PART NO.
<b>Engine (Cont.)</b>			<b>Engine (Cont.)</b>		
<b>Crankshaft-Rear (Cont.)</b>			<b>Timing Cover (Cont.)</b>		
1993-1982	140 (2.3L) Eng. From 9/28/81:		1986-1983	230 (3.8L) Eng.:	
	Seal .....	36147		Seal (Viton) .....	18544
	(Speedi-Sleeve) .....	99362		Seal .....	18548
1986-1983	230 (3.8L) Eng. From 1/83:			(Speedi-Sleeve) .....	99187
	Seal .....	36147		(Speedi-Sleeve/Seal Kit) .....	480185
	(Speedi-Sleeve) .....	99362	1982-1980	255 (4.2L) Eng.:	
1983	230 (3.8L) Eng. Thru 12/82:			Seal (Viton) .....	18544
	Seal (Rope) .....	196		Seal .....	18548
	Seal (Rubber) .....	205		(Speedi-Sleeve) .....	99187
1983-1982	302 (5.0L) Eng. Thru 11/82:			(Speedi-Sleeve/Seal Kit) .....	480185
	Seal (Rope) .....	196	1982-1979	200 (3.3L) Eng.:	
	Seal (Rubber) .....	205		Seal .....	17271
1982-1980	255 (4.2L) Eng.:			(Speedi-Sleeve) .....	99174
	Seal (Rope) .....	196	1979-1974	171 (2.8L) Eng.:	
	Seal (Rubber) .....	205		Seal .....	16505
1982-1979	200 (3.3L) Eng.:			(Speedi-Sleeve) .....	99169
	Seal (Rope) .....	196	1978-1973	302 (5.0L) Eng.:	
	Seal (Rubber) .....	204		Seal (Viton) .....	18546
1982-1974	140 (2.3L) Eng. Thru 9/27/81:			Seal .....	18562
	Seal (Rubber) .....	205		(Speedi-Sleeve) .....	99187
1979-1974	171 (2.8L) Eng.:			(Speedi-Sleeve/Seal Kit) .....	480186
	Seal .....	22353	1973-1971	351 C (5.8L) Eng.:	
	(Speedi-Sleeve) .....	99225		Seal (Viton) .....	18546
1979-1973	302 (5.0L) Eng.:			Seal .....	18562
	Seal (Rope) .....	196		(Speedi-Sleeve) .....	99187
	Seal (Rubber) .....	205		(Speedi-Sleeve/Seal Kit) .....	480186
1973-1969	351 (5.8L), 428 (7.0L) & 429 (7.0L) Eng.:		1973-1969	250 (4.1L) Eng.:	
	Seal (Rope) .....	196		Seal (Viton) .....	18546
	Seal (Rubber) .....	211		Seal .....	18562
1973-1969	250 (4.1L) Eng.:			(Speedi-Sleeve) .....	99187
	Seal (Rope) .....	196		(Speedi-Sleeve/Seal Kit) .....	480186
	Seal (Rubber) .....	205	1972-1970	351 W (5.8L) Eng.:	
1970	429 (7.0L) Eng.:			Seal (Viton) .....	18544
	Seal (Rope) .....	196		Seal .....	18548
	Seal (Rubber) .....	201		(Speedi-Sleeve) .....	99187
1970-1969	352 (5.8L), 390 (6.4L), 427 (7.0L) & 428 (7.0L) Eng.:			(Speedi-Sleeve/Seal Kit) .....	480185
	Seal (Rope) .....	196	1972-1964	8 Cyl. Exc. 351 (5.8L) Eng.:	
1970-1965	200 (3.3L) Eng.:			Seal (Viton) .....	18546
	Seal (Rope) .....	196		Seal .....	18562
	Seal (Rubber) .....	204		(Speedi-Sleeve) .....	99187
				(Speedi-Sleeve/Seal Kit) .....	480186
1993-1974	140 (2.3L) O.H.C. Eng.:		1970-1964	170 (2.8L) & 200 (3.3L) Eng.:	
	Bearing & Housing Assy. ....	VKM54001		Seal .....	17271
				(Speedi-Sleeve) .....	99174
1992-1974	140 (2.3L) O.H.C. Eng. w/Square Tooth Sprockets:		<b>Generator</b>		
	Belt & Tensioner Kit .....	VKMA44001	1965-1964	All:	
				Bearing (Front) .....	6203-2RSJ
				Bearing (Rear) .....	6200-2RSJ
1995-1994	230 (3.8L) Eng.:		<b>Steering-Power</b>		
	Seal .....	18577	<b>Pitman Shaft</b>		
	(Speedi-Sleeve) .....	99187	1973	All:	
1995-1979	302 (5.0L) Eng.:			Seal (Inner) .....	12371
	Seal (Viton) .....	18544		Seal (Outer) .....	12355
	Seal .....	18548		Seal Kit .....	12392
	(Speedi-Sleeve) .....	99187	<b>Pump Shaft</b>		
	(Speedi-Sleeve/Seal Kit) .....	480185	1995-1973	All:	
1993-1974	140 (2.3L) Eng.:			Seal .....	6765
	Seal (Viton) .....	17107			
	Seal .....	17106			

(Continued)

**Ford (RWD) Mustang, Mustang II, Mustang GT -- (Cont.)**

MFG./YEAR	MODEL & LOCATION	PART NO.	MFG./YEAR	MODEL & LOCATION	PART NO.
<b>Steering-Power (Cont.)</b>					
<b>Worm Shaft</b>					
1995-1979	Ford:				
	Bearing .....	6201-2RSJ			
1984	TRW w/SVO Option:				
	Seal .....	8620			
1982-1974	TRW:				
	Seal .....	8620			
1973	All:				
	Seal .....	8648			

**Ford (RWD) Pinto**

**Wheel Front**

1980 All:

Seal .....19221

Bearing (Inner) ..... BR13

(Set Components) ..... L68149/L68110

Bearing (Outer) ..... BR12

(Set Components) ..... LM12749/LM12710

1979-1975 6.75" Ring Gear:

Seal .....19221

Bearing (Inner) ..... BR5

(Set Components) ..... LM48548/LM48510

Bearing (Outer) ..... BR12

(Set Components) ..... LM12749/LM12710

1978-1971 8.00" Ring Gear:

Seal .....19221

Bearing (Inner) ..... BR13

(Set Components) ..... L68149/L68110

Bearing (Outer) ..... BR12

(Set Components) ..... LM12749/LM12710

**Wheel Rear**

1980-1979 All:

Seal .....13985

Sealed Bearing w/Lock Ring ..... RW207-CCRA

1978 6.75" Ring Gear:

Seal .....12396

Sealed Bearing w/Lock Ring ..... RW207-CCRA

1978 8.00" Ring Gear:

Seal .....13985

Sealed Bearing w/Lock Ring ..... RW207-CCRA

1977-1976 All:

Seal .....13985

Sealed Bearing w/Lock Ring ..... RW207-CCRA

1975-1974 All:

Seal .....12396

Sealed Bearing w/Lock Ring ..... RW207-CCRA

1973-1971 All:

Seal .....11585

**Pinion**

1980-1979 6.75" Ring Gear:

Seal .....18100

(Speedi-Sleeve) ..... 99181

Bearing (Front) ..... M86649/M86610

Bearing (Rear) ..... BR90

(Set Components) ..... HM88648/HM88610

1980-1975 8.00" Ring Gear:

Seal .....18100

(Speedi-Sleeve) ..... 99181

Bearing ..... [2] M86649/M86610

Bearing (Pilot) ..... R1558-TAV

**Pinion (Cont.)**

1978-1971 6.75" Ring Gear:

Seal .....18100

(Speedi-Sleeve) ..... 99181

Bearing (Front) ..... M86649/M86610

Bearing (Pilot) ..... R1558-TAV

Bearing (Rear) ..... BR52

(Set Components) ..... M88048/M88010

**Differential**

1980-1979 6.75" & 8.80" Ring Gears:

Bearing ..... [2] BR72

(Set Components) ..... LM501349/LM501314

1980-1975 8.00" Ring Gear:

Bearing ..... [2] BR35

(Set Components) ..... LM501349/LM501310

1978-1971 6.75" Ring Gear:

Bearing ..... [2] BR5

(Set Components) ..... LM48548/LM48510

**Kit**

1980-1971 8.00" Ring Gear:

Standard Seal and Bearing Kit Rear ..... SDK310

**Clutch Pilot**

1980-1974 140 Eng.:

Bearing ..... FC65354

1974-1971 98 & 122 Eng.:

Bearing ..... N3057

**Release**

1980-1971 All:

Bearing Only ..... N1054

(Self-Aligning) ..... N1705-SA

**Transmission-Automatic**

**Front Pump**

1980-1974 C3 Trans.:

Seal .....16225

1980-1971 C4 Trans.:

Seal .....19807

(Speedi-Sleeve) ..... 99199

(Speedi-Sleeve/Seal Kit) ..... 480198

**Rear**

1980-1974 C3 Trans.:

Seal .....13685

(Speedi-Sleeve) ..... 99138

(Continued)

MFG./YEAR	MODEL & LOCATION	PART NO.	MFG./YEAR	MODEL & LOCATION	PART NO.
<b>Transmission-Automatic (Cont.)</b>			<b>Engine (Cont.)</b>		
<b>Rear (Cont.)</b>			<b>Camshaft</b>		
1980-1971 C4 Trans.:			1980-1974 140 (2.3L) Eng.:		
	Seal .....	14978		Seal (Viton) .....	17107
	(Speedi-Sleeve) .....	99149		Seal .....	17106
	(Speedi-Sleeve/Seal Kit) .....	480148	<b>Crankshaft-Rear</b>		
<b>Shift Shaft</b>			1980-1974 140 (2.3L) Eng.:		
1980-1971 All:			Seal Kit .....		
	Seal .....	7556	1979-1975 171 (2.8L) Eng.:		
	(Speedi-Sleeve) .....	99076		Seal .....	22353
<b>Transmission-Manual</b>			(Speedi-Sleeve) .....		
<b>Countershaft</b>			99225		
1980-1971 4 Spd. German Trans.:			1974-1971 98 (1.6L) & 122 (2.0L) Engs.:		
	Bearing (Front) .....	[42] B1316-Q	Seal .....		
	Bearing (Rear) .....	[42] C407-Q	(Speedi-Sleeve) .....		
1973 English Trans.:			29868		
	Bearing .....	[40] C407-Q	(Speedi-Sleeve) .....		
<b>Front</b>			99300		
1980-1971 German Trans.:			<b>Timing Belt Tensioner</b>		
	Seal .....	10930	1980-1974 140 (2.3L) Eng.:		
	(Speedi-Sleeve) .....	99111	Bearing & Housing Assy. ....		
	Bearing .....	■ 6207-ZNJ	VKM54001		
1973 English Trans.:			<b>Timing Belt and Tensioner Kit</b>		
	Seal .....	10930	1980-1974 140 (2.3L) Eng.:		
	(Speedi-Sleeve) .....	99111	Belt & Tensioner Kit .....		
<b>Rear</b>			VKMA44001		
1980-1971 4 Spd. German Trans.:			<b>Timing Cover</b>		
	Seal .....	13527	1980-1974 140 (2.3L) Eng.:		
	(Speedi-Sleeve) .....	99138	Seal (Viton) .....		
	Bearing .....	6108-A	Seal .....		
1973-1971 4 Spd. English Trans.:			1979-1975 171 (2.8L) Eng.:		
	Seal .....	11733		Seal .....	16505
	(Speedi-Sleeve) .....	99118	(Speedi-Sleeve) .....		
<b>Air Conditioning Clutch</b>			99169		
1980-1971 All:			1974-1971 122 (2.0L) Eng.:		
	Bearing .....	5106-WCC		Seal .....	16505
<b>Alternator</b>			(Speedi-Sleeve) .....		
1980-1973 All:			99169		
	Bearing (Front) .....	6203-2RSJ	1973-1971 98 (1.6L) Eng.:		
	Bearing (Rear) .....	MNJ471-S	Seal .....		
1972-1971 w/o Hi-Temp. & 70 Amp.:			14212		
	Bearing (Front) .....	6203-2RSJ	(Speedi-Sleeve) .....		
	Bearing (Rear) .....	MNJ471-S	99143		
<b>Engine</b>			<b>Steering-Power</b>		
<b>Auxiliary Shaft</b>			<b>Pump Shaft</b>		
1980-1974 140 (2.3L) Eng.:			1980-1973 Ford Pump:		
	Seal (Viton) .....	17107	Seal .....		
	Seal .....	17106	6765		
1974-1971 122 (2.0L) Eng.:			<b>Worm Shaft</b>		
	Seal .....	16505	1980-1975 All:		
	(Speedi-Sleeve) .....	99169	Seal .....		
			8620		

# Passenger cars, light & medium trucks

## Ford (RWD) Thunderbird

MFG./YEAR	MODEL & LOCATION	PART NO.	MFG./YEAR	MODEL & LOCATION	PART NO.
<b>Wheel Front</b>			<b>Wheel Rear</b>		
1995-1991	All:		1995-1989	All:	
	Hub Assembly	BR930048		Sealed Bearing	[2] FW115
1990-1989	w/o ABS:			C-Clip	CIR115
	Hub Assembly	BR930003	1988-1980	All:	
1990-1989	ABS:			Seal	13992
	Hub Assembly	BR930004		Bearing	R1563-TAV
1988-1984	Turbo:			(Axle Repair Brg. Assy.)	• R1563
	Seal	19223	1979-1977	Ball Brg.:	
	Bearing (Inner)	BR5		Seal	15142
	(Set Components)	LM48548/LM48510		Bearing w/Lock Ring	88128-RA
	Bearing (Outer)	BR12	1979-1974	Tapered Brg.:	
	(Set Components)	LM12749/LM12710		Seal	18881
1988-1980	w/o Turbo:			Bearing	BR20
	Seal	19221	1973	Ball Brg.:	
	Bearing (Inner)	BR17		Seal	15142
	(Set Components)	L68149/L68111		Bearing w/Lock Ring	88128-RB
	Bearing (Outer)	BR12	1972	From 4/1/72:	
	(Set Components)	LM12749/LM12710		Seal	14968
1979-1974	All:			Sealed Bearing w/Lock Ring	RW207-CCRA
	Seal	19221	1972	Thru 4/1/72:	
	Bearing (Inner)	BR11		Seal	15142
	(Set Components)	JL69349/JL69310		Sealed Bearing w/Lock Ring	RW207-CCRA
	Bearing (Outer)	BR12	1971-1962	All:	
	(Set Components)	LM12749/LM12710		Seal	15142
1973-1970	All:			Sealed Bearing w/Lock Ring	88128-R
	Seal	19221	1961	All:	
	Bearing (Inner)	BR13		Seal	13738
	(Set Components)	L68149/L68110		Sealed Bearing w/Lock Ring	RW207-CCRA
	Bearing (Outer)	BR12	1960-1955	All:	
	(Set Components)	LM12749/LM12710		Seal	15142
1969-1968	All:			Sealed Bearing w/Lock Ring	88128-R
	Seal	19221	<b>Axle Shaft</b>		
	Bearing (Inner)	BR6	1995-1980	7.50" & 8.00" Ring Gears:	
	(Set Components)	LM67048/LM67010		Seal	16262
	Bearing (Outer)	BR2		Bearing	FC66998
	(Set Components)	LM11949/LM11910	<b>Pinion</b>		
1967-1965	All:		1995-1980	All:	
	Seal	19223		Seal	18136
	Bearing (Inner)	BR5		(Speedi-Sleeve)	99181
	(Set Components)	LM48548/LM48510		Bearing (Front)	BR52
	Bearing (Outer)	BR3		(Set Components)	M88048/M88010
	(Set Components)	M12649/M12610		Bearing (Rear)	M802048/M802011
1964-1963	All:		1979-1973	All:	
	Seal	19223		Seal	18833
	Bearing (Inner)	BR6		(Speedi-Sleeve)	99181
	(Set Components)	LM67048/LM67010		Bearing	[2] BR52
	Bearing (Outer)	BR3		(Set Components)	M88048/M88010
	(Set Components)	M12649/M12610		Bearing (Pilot)	R1535-TAV
1962	From 5/21/62:		1972-1967	9.00" Ring Gear:	
	Seal	19221		Seal	18833
	Bearing (Inner)	BR6		(Speedi-Sleeve)	99181
	(Set Components)	LM67048/LM67010		Bearing	[2] BR52
	Bearing (Outer)	BR2		(Set Components)	M88048/M88010
	(Set Components)	LM11949/LM11910		Bearing (Pilot)	R1535-TAV
1962-1955	Thru 5/21/62:		1972-1967	9.375" Ring Gear:	
	Seal	19221		Seal	18833
	Bearing (Inner)	BR6		(Speedi-Sleeve)	99181
	(Set Components)	LM67048/LM67010		Bearing (Front)	BR52
	Bearing (Outer)	BR2		(Set Components)	M88048/M88010
	(Set Components)	LM11949/LM11910		Bearing (Rear)	HM89444/HM89410
					(Continued)

MFG./YEAR	MODEL & LOCATION	PART NO.	MFG./YEAR	MODEL & LOCATION	PART NO.
<b>Pinion (Cont.)</b>			<b>Clutch</b>		
<b>1966-1960 All:</b>			<b>Pilot</b>		
	Seal .....	18833	1995-1982	w/o 4 Cyl. Eng.:	
	(Speedi-Sleeve) .....	99181		Bearing .....	B65174
	Bearing .....	[2] BR52	1988-1983	4 Cyl. Eng.:	
	(Set Components) .....	M88048/M88010		Bearing .....	FC65354
	Bearing (Pilot) .....	R1535-TAV	1960-1958	All:	
1959-1957	All:			Bearing .....	6303-ZJ
	Seal (3.006" O.D.) .....	18833	1957-1955	All:	
	(Speedi-Sleeve) (3.006" O.D.) .....	99181		Bearing .....	6203-ZJ
	Seal (4.128" O.D.) .....	18276	<b>Release</b>		
	Bearing .....	[2] BR52	1995-1989	All:	
	(Set Components) .....	M88048/M88010		Bearing Assembly .....	N4061
1956-1955	All:		1988-1980	All:	
	Seal .....	15788		Bearing Assembly .....	N1714
	(Speedi-Sleeve) .....	99155		(Self-Aligning) .....	N1714-SA
	Bearing (Front) .....	BR02872/BR02820	1960	All:	
	Bearing (Rear) .....	BR31594/BR31520		Bearing Only .....	N1586
<b>Differential</b>				Bearing Assembly .....	N1439
1995-1987	8.80" Ring Gear:		1959-1957	H.D. Clutch:	
	Bearing .....	[2] BR36		Bearing Assembly .....	N1439
	(Set Components) .....	LM603049/LM603012	1959-1955	w/o H.D. Clutch:	
	Bearing (Pilot) .....	BH4015		Bearing Only .....	N1181
1995-1980	7.50" Ring Gear:		<b>Transmission-Automatic</b>		
	Bearing .....	[2] BR72	<b>Front Pump</b>		
	(Set Components) .....	LM501349/LM501314	1995-1994	AODE & AODE-W Trans.:	
	Bearing (Pilot) .....	BH4015		Seal .....	19799
1979-1973	All:			(Reorder:) .....	+20031
	Bearing .....	[2] BR50		(Speedi-Sleeve) .....	99196
	(Set Components) .....	LM102949/LM102910	1993-1973	w/o A4LD & C3 Trans.:	
1972-1970	9.00" Ring Gear From 5/13/70:			Seal .....	19807
	Bearing .....	[2] BR50		(Speedi-Sleeve) .....	99199
	(Set Components) .....	LM102949/LM102910		(Speedi-Sleeve/Seal Kit) .....	480198
1972-1966	9.375" Ring Gear:		1988-1984	A4LD & C3 Trans.:	
	Bearing .....	[2] BR25590/BR25520		Seal .....	16225
1970-1965	9.00" Ring Gear Thru 5/12/70:		1981-1980	C3 Trans.:	
	Bearing .....	[2] BR37		Seal .....	16225
	(Set Components) .....	LM603049/LM603011	1972-1966	C6 Trans.:	
1964-1960	All:			Seal .....	19807
	Bearing (2.8910" O.D.) .....	[2] BR35		(Speedi-Sleeve) .....	99199
	(Set Components) .....	LM501349/LM501310	1966-1960	Cruise-O-Matic Trans.:	
	Bearing (3.0625" O.D.) .....	[2] BR37		Seal .....	19240
	(Set Components) .....	LM603049/LM603011		(Speedi-Sleeve) .....	99193
1959-1957	All:		1959-1955	All:	
	Bearing .....	[2] BR37		Seal .....	19240
	(Set Components) .....	LM603049/LM603011		(Speedi-Sleeve) .....	99193
1956-1955	All:		<b>Rear</b>		
	Bearing .....	[2] BR25577/BR25523	1995-1994	AODE & AODE-W Trans.:	
<b>Kit</b>				Seal .....	15966
1995-1989	8.80" Ring Gear:		1993-1980	w/o A4LD & C3 Trans.:	
	Standard Seal and Bearing Kit Rear .....	SDK311		Seal .....	14978
	Master Seal and Bearing Kit Rear .....	SDK311-MK		(Speedi-Sleeve) .....	99149
1995-1989	7.50" Ring Gear:			(Speedi-Sleeve/Seal Kit) .....	480148
	Standard Seal and Bearing Kit Rear .....	SDK315		Seal & Bushing Kit .....	14982
1979-1970	9.00" 31 spline STSP 5/11/1970 Ring Gear:		1988-1984	A4LD & C3 Trans.:	
	Standard Seal and Bearing Kit Rear .....	SDK313		Seal .....	13685
1970-1957	9.00" 28 spline ENSP 5/10/70 Ring Gear:			(Speedi-Sleeve) .....	99138
	Standard Seal and Bearing Kit Rear .....	SDK312	1981-1980	C3 Trans.:	
				Seal .....	13685
				(Speedi-Sleeve) .....	99138

(Continued)

**Ford (RWD) Thunderbird -- (Cont.)**

MFG./YEAR	MODEL & LOCATION	PART NO.	MFG./YEAR	MODEL & LOCATION	PART NO.
<b>Transmission-Automatic (Cont.)</b>			<b>Transmission-Manual (Cont.)</b>		
<b>Rear (Cont.)</b>			<b>Mainshaft Pilot</b>		
<b>1979-1973 C4 Trans.:</b>			<b>1988-1983 5 Spd. Warner Trans.:</b>		
Seal		14978	Bearing		[15] QBR23549
(Speedi-Sleeve)		99149	<b>1960-1956 w/o 292 Eng.:</b>		
(Speedi-Sleeve/Seal Kit)		480148	Bearing		[14] W1518-Q
<b>1979-1958 w/o C4 Trans.:</b>			<b>1957-1955 292 Eng.:</b>		
Seal		16725	Bearing		[15] QBR23549
Seal & Bushing Kit		16727	<b>Output Shaft</b>		
(Speedi-Sleeve)		99168	<b>1995-1989 5 Spd. Mazda Trans.:</b>		
(Speedi-Sleeve/Seal Kit)		480168	Seal		14900
<b>1957-1955 All:</b>			Bearing (Front)		BR69
Seal		14978	Bearing (Rear)		6207-VSP33
Seal & Bushing Kit		14982	<b>1988-1983 5 Spd. Warner Trans.:</b>		
(Speedi-Sleeve)		99149	Seal		14978
(Speedi-Sleeve/Seal Kit)		480148	Seal & Bushing Kit		14982
<b>Shift Shaft</b>			(Speedi-Sleeve)		99149
<b>1995-1960 All:</b>			(Speedi-Sleeve/Seal Kit)		480148
Seal		7556	Bearing		BR25877/BR25821
(Speedi-Sleeve)		99076	<b>1960 All:</b>		
<b>Transmission-Manual</b>			Seal		16725
<b>Countershaft</b>			(Speedi-Sleeve)		99168
<b>1995-1989 5 Spd. Mazda Trans.:</b>			(Speedi-Sleeve/Seal Kit)		480168
Bearing (Front)		MR1205-EX	Bearing		6307-NRJ
Bearing (Center)		MR1207-EL	<b>1959-1956 w/o 292 Eng.:</b>		
Bearing (Rear)		6304-J	Seal (1.500" Shaft)		15005
<b>1988-1985 5 Spd. Warner Trans.:</b>			(Speedi-Sleeve) (1.500" Shaft)		99149
Bearing (Front)		LM67048/LM67010BCE	Seal (1.688" Shaft)		16725
Bearing (Rear)		BR6	(Speedi-Sleeve) (1.688" Shaft)		99168
(Set Components)		LM67048/LM67010	(Speedi-Sleeve/Seal Kit)		480168
<b>1984-1983 5 Spd. Warner Trans.:</b>			Bearing		6307-NRJ
Bearing (Front)		DK55836	<b>1957-1955 292 Eng.:</b>		
Bearing (Rear)		R1563-TAV	Seal (1.500" Shaft)		15005
<b>Input Shaft</b>			(Speedi-Sleeve) (1.500" Shaft)		99149
<b>1995-1989 5 Spd. Mazda Trans.:</b>			Seal (1.688" Shaft)		16725
Seal		11612	(Speedi-Sleeve) (1.688" Shaft)		99168
(Speedi-Sleeve)		99114	(Speedi-Sleeve/Seal Kit)		480168
Bearing (Front)		BR55	Bearing		6207-NRJ
<b>1988-1987 5 Spd. Warner Trans.:</b>			<b>Shift Shaft</b>		
Seal		12363	<b>1960-1955 O/D Trans.:</b>		
(Speedi-Sleeve)		99125	Seal		6130
Bearing		BR52	(Speedi-Sleeve)		99062
(Set Components)		M88048/M88010	<b>Air Conditioning Compressor</b>		
<b>1986-1983 5 Spd. Warner Trans.:</b>			<b>1995-1989 FX-15 Comp.:</b>		
Seal		12363	Bearing		5106-WCC
(Speedi-Sleeve)		99125	<b>1994-1983 230 (3.8L) Eng. From 6/4/83 w/o Swash Plate:</b>		
Bearing		BR5	Bearing		AC1
(Set Components)		LM48548/LM48510	<b>1990-1980 Swash Plate:</b>		
<b>1960-1957 w/o 292 Eng.:</b>			Bearing		5908-VAW
Seal		11123	<b>1984-1983 140 (2.3L) Eng. From 4/84 w/o Swash Plate:</b>		
(Speedi-Sleeve)		99112	Bearing		5908-VAW
Bearing		6307-NRJ	<b>1979-1977 All:</b>		
<b>1957 292 Eng.:</b>			Bearing		5106-WCC
Seal		11123	<b>1976-1972 All:</b>		
(Speedi-Sleeve)		99112	Bearing		5908-VAW
Bearing		6208-ZNRJ	<b>1971-1965 All:</b>		
<b>1956 w/o 292 Eng.:</b>			Bearing		5106-WCC
Bearing		6307-NRJ	<b>Alternator</b>		
<b>1956-1955 292 Eng.:</b>			<b>1995-1994 Mitsubishi w/SC:</b>		
Bearing		6208-ZNRJ	Bearing (Front)		AB6
			(Continued)		



MFG./YEAR	MODEL & LOCATION	PART NO.	MFG./YEAR	MODEL & LOCATION	PART NO.
<b>Alternator (Cont.)</b>			<b>Engine (Cont.)</b>		
1993-1989	Motorcraft w/o 302 (5.0L) Eng.:		<b>Crankshaft-Rear (Cont.)</b>		
	Bearing (Front) .....	6203-2RSJ	1976-1968	429 (7.0L) & 460 (7.5L) Engs.:	
	Bearing (Rear) .....	MNJ471-S		Seal (Rope) .....	196
1988	Mitsubishi:			Seal (Rubber) .....	201
	Bearing (Rear) .....	AB4	1972	400 (6.6L) Eng.:	
1988-1973	w/o Mitsubishi:			Seal (Rope) .....	196
	Bearing (Front) .....	6203-2RSJ		Seal (Rubber) .....	211
	Bearing (Rear) .....	MNJ471-S	1967-1960	352 (5.8L), 390 (6.4L) & 428 (7.0L) Engs.:	
1972-1969	Motorcraft 65 & 70 Amp.:			Seal (Rope) .....	196
	Bearing (Front) .....	6305-2RSJ	1960	430 Eng.:	
	Bearing (Rear) .....	MNJ471-S		Seal (Rope) .....	196
1972-1963	Motorcraft w/o 65 & 70 Amp.:		1957-1955	239, 272 & 292 Engs.:	
	Bearing (Front) .....	6203-2RSJ		Seal (Rope) .....	196
	Bearing (Rear) .....	MNJ471-S	<b>Accessory Drive Belt Idler</b>		
<b>Engine</b>			1995-1982	2.3L, 3.8L, 4.2L, 4.6L, & 5.0L Engs.:	
<b>Auxiliary Shaft</b>				Bearing (Pulley) .....	VKM900022
1988-1983	140 (2.3L) Eng.:		<b>Timing Belt Tensioner</b>		
	Seal (Viton) .....	17107	1988-1983	140 (2.3L) Eng.:	
	Seal .....	17106		Bearing & Housing Assy. ....	VKM54001
<b>Camshaft</b>			<b>Timing Belt and Tensioner Kit</b>		
1988-1983	140 (2.3L) Eng.:		1988-1983	140 (2.3L) Eng.:	
	Seal (Viton) .....	17107		Belt & Tensioner Kit .....	VKMA44001
	Seal .....	17106	<b>Timing Cover</b>		
<b>Crankshaft-Rear</b>			1995-1994	230 (3.8L) Eng.:	
1995-1994	280 (4.6L) Eng.:			Seal .....	18577
	Seal .....	36147		(Speedi-Sleeve) .....	99187
	(Speedi-Sleeve) .....	99362	1995-1994	280 (4.6L) Eng.:	
1995-1990	230 (3.8L) & 302 (5.0L) Engs.:			Seal .....	18757
	Seal .....	36147		(Speedi-Sleeve) .....	99187
	(Speedi-Sleeve) .....	99362	1993-1980	230 (3.8L), 255 (4.2L) & 302 (5.0L) Engs.:	
1990-1989	230 (3.8L) Eng. Exc. SC:			Seal (Viton) .....	18544
	Seal .....	36147		Seal .....	18548
	(Speedi-Sleeve) .....	99362		(Speedi-Sleeve) .....	99187
1988-1983	302 (5.0L) Eng. From 12/82:			(Speedi-Sleeve/Seal Kit) .....	480185
	Seal .....	36147	1988-1983	140 (2.3L) Eng.:	
	(Speedi-Sleeve) .....	99362		Seal (Viton) .....	17107
1988-1983	140 (2.3L) Eng.:			Seal .....	17106
	Seal .....	36147	1982-1980	200 (3.3L) Eng.:	
	(Speedi-Sleeve) .....	99362		Seal .....	17271
1988-1983	230 (3.8L) Eng. From 1/83:			(Speedi-Sleeve) .....	99174
	Seal .....	36147	1979	302 (5.0L) & 351 W (5.8L) Engs.:	
	(Speedi-Sleeve) .....	99362		Seal (Viton) .....	18544
1983-1982	230 (3.8L) Eng. Thru 1/83:			Seal .....	18548
	Seal (Rope) .....	196		(Speedi-Sleeve) .....	99187
	Seal (Rubber) .....	205		(Speedi-Sleeve/Seal Kit) .....	480185
1983-1980	302 (5.0L) Eng. Thru 12/82:		1979-1977	351 M (5.8L) & 400 (6.6L) Engs.:	
	Seal (Rope) .....	196		Seal (Viton) .....	18544
	Seal (Rubber) .....	205		Seal .....	18548
1982-1980	255 (4.2L) Eng.:			(Speedi-Sleeve) .....	99187
	Seal (Rope) .....	196		(Speedi-Sleeve/Seal Kit) .....	480185
	Seal (Rubber) .....	205	1978-1977	302 (5.0L) & 351 W (5.8L) Engs.:	
1982-1980	200 (3.3L) Eng.:			Seal (Viton) .....	18546
	Seal (Rope) .....	196		Seal .....	18562
	Seal (Rubber) .....	204		(Speedi-Sleeve) .....	99187
1979-1977	302 (5.0L) Eng.:			(Speedi-Sleeve/Seal Kit) .....	480186
	Seal (Rope) .....	196	1976-1968	429 (7.0L) & 460 (7.5L) Engs.:	
	Seal (Rubber) .....	205		Seal (Viton) .....	18546
1979-1977	351 M & W (5.8L) & 400 (6.6L) Engs.:			Seal .....	18562
	Seal (Rope) .....	196		(Speedi-Sleeve) .....	99187
	Seal (Rubber) .....	211		(Speedi-Sleeve/Seal Kit) .....	480186

(Continued)

**Ford (RWD) Thunderbird -- (Cont.)**

MFG./YEAR	MODEL & LOCATION	PART NO.	MFG./YEAR	MODEL & LOCATION	PART NO.
<b>Engine (Cont.)</b>			<b>Steering-Power (Cont.)</b>		
<b>Timing Cover (Cont.)</b>			<b>Pitman Shaft (Cont.)</b>		
1972	400 (6.6L) Eng.:		1956-1955	2 Tooth Type:	
	Seal (Viton) .....	18544		Seal .....	11081
	Seal .....	18548	<b>Pump Shaft</b>		
	(Speedi-Sleeve) .....	99187	1995-1980	All:	
	(Speedi-Sleeve/Seal Kit) .....	480185		Seal .....	6765
1967-1960	352, 390 & 428 Eng.:		1979-1965	Ford Pump:	
	Seal (Viton) .....	18546		Seal .....	6765
	Seal .....	18562	1976-1972	Saginaw Pump:	
	(Speedi-Sleeve) .....	99187		Seal .....	7475
	(Speedi-Sleeve/Seal Kit) .....	480186	1965	Eaton Pump:	
1959-1955	All:			Seal .....	7465
	Seal (Viton) .....	18546	1964-1960	All:	
	Seal .....	18562		Seal .....	7465
	(Speedi-Sleeve) .....	99187	1959-1955	All:	
	(Speedi-Sleeve/Seal Kit) .....	480186		Seal .....	7440
<b>Steering-Power</b>			<b>Worm Shaft</b>		
<b>Pitman Shaft</b>			1995-1980 All:		
1995-1980	All:			Bearing .....	6201-2RSJ
	Bearing .....	FC65753	1979-1975	Ford Pump:	
1972-1965	All:			Seal .....	8178
	Bearing .....	FC65753	1964-1960	All:	
1964-1961	All:			Seal .....	11124
	Seal (Inner) .....	12360			
	Seal (Outer) .....	8782			
1960-1958	All:				
	Seal .....	11081			
1957-1956	3 Tooth Type:				
	Seal .....	12334			

**Ford Truck Aerostar, Bronco II, Explorer, Ranger**

<b>Wheel Front (2 W/D)</b>			<b>Wheel Front (4 W/D) (Cont.)</b>		
1995	Explorer & Ranger:		1994-1991	Explorer:	
	Seal .....	19223		Seal .....	24917
	Bearing (Inner) .....	BR5		Bearing .....	[4] BR37
	(Set Components) .....	LM48548/LM48510		(Set Components) .....	LM603049/LM603011
	Bearing (Outer) .....	BR2	1989-1983	Thru 10/89:	
	(Set Components) .....	LM11949/LM11910		Seal .....	21400
1995	Aerostar:			Bearing .....	[2] BR35
	Seal (Boretite) .....	19214		(Set Components) .....	LM501349/LM501310
	Seal (Exc. Boretite) .....	19221	<b>Axle Shaft</b>		
	Bearing (Inner) .....	BR6	1995	Explorer:	
	(Set Components) .....	LM67048/LM67010		Seal (L.H.) .....	13757
	Bearing (Outer) .....	BR2		Seal (R.H.) .....	17520
	(Set Components) .....	LM11949/LM11910		Bearing .....	R1563-TAV
1994-1983	Aerostar, Bronco II, Explorer & Ranger:			(Axle Repair Brg. Assy.) .....	• R1563
	Seal (Boretite) .....	19214	1995-1990	3.45 & 4.10 Ratios Exc. Explorer:	
	Seal (Exc. Boretite) .....	19221		Seal (L.H.) .....	11702
	Bearing (Inner) .....	BR6		Seal (R.H.) .....	13750
	(Set Components) .....	LM67048/LM67010		Bearing .....	BH2212
	Bearing (Outer) .....	BR2	1995	Ranger w/3.73 Ratio, 3.0L Eng., 4 Whl. ABS & Man. Locking Hubs:	
	(Set Components) .....	LM11949/LM11910		Seal (L.H.) .....	11702
<b>Wheel Front (4 W/D)</b>				Seal (R.H.) .....	13750
1995	Explorer:			Bearing .....	BH2212
	Seal .....	25013		(Continued)	
	Hub Assembly .....	BR930252			
	Sensor Harness .....	SC452/6			
1995-1990	Bronco II & Ranger:				
	Seal .....	24917			
	Bearing .....	[4] BR37			
	(Set Components) .....	LM603049/LM603011			

MFG./YEAR	MODEL & LOCATION	PART NO.	MFG./YEAR	MODEL & LOCATION	PART NO.
<b>Wheel Front (4 W/D) (Cont.)</b>			<b>Wheel Rear (Cont.)</b>		
<b>Axle Shaft (Cont.)</b>			<b>1995-1984 Aerostar, Bronco II &amp; Ranger Exc. Electric Ranger w/o Spicer 30 Axle:</b>		
1995-1993	Ranger w/3.73 Ratio, 4.0L Eng. & 4 Whl. ABS:		Seal		13992
	Seal (L.H.)	12925	Bearing	R1563-TAV	
	Seal (R.H.)	14247	(Axle Repair Brg. Assy.)		• R1563
	Bearing	R1563-TAV	<b>1990-1987 Aerostar w/Spicer 30 Axle:</b>		
	(Axle Repair Brg. Assy.)	• R1563	Seal		16735
1994-1993	Explorer w/3.55 & 3.73 Ratios:		Bearing	BR9	
	Seal (L.H.)	12925	<b>1983 Ranger w/6.75" Ring Gear:</b>		
	Seal (R.H.)	14247	Seal		13700
	Bearing	R1563-TAV	Sealed Bearing w/Lock Ring	RW207-CCRA	
	(Axle Repair Brg. Assy.)	• R1563	<b>1983 Ranger w/7.50" Ring Gear:</b>		
1994-1993	Ranger w/3.73 Ratio, 3.0L Eng. & Auto. Trans.:		Seal		13992
	Seal (L.H.)	11702	Bearing	R1563-TAV	
	Seal (R.H.)	13750	(Axle Repair Brg. Assy.)		• R1563
	Bearing	R1563-TAV	<b>Pinion</b>		
	(Axle Repair Brg. Assy.)	• R1563	<b>Front Axle</b>		
1994-1993	Ranger w/3.73 Ratio, 3.0L Eng. & Man. Trans.:		1995	Explorer:	
	Seal (L.H.)	12925	Seal		18472
	Seal (R.H.)	14247	Bearing (Front)	M86649/M86610	
	Bearing	R1563-TAV	Bearing (Rear)	BR90	
1992-1990	Exc. Aerostar w/o 3.45 Ratio & 4.10 Ratio:		(Set Components)	HM88648/HM88610	
	Seal (L.H.)	12925	1995	Ranger:	
	Seal (R.H.)	14247	Seal		18159
	Bearing	R1563-TAV	(Speedi-Sleeve)		99181
1989-1983	Thru 10/89 Exc. Aerostar:		Bearing (Front)	M86649/M86610	
	Seal (L.H.)	11702	Bearing (Rear)	BR90	
	Seal (R.H.)	13750	(Set Components)	HM88648/HM88610	
	Bearing	BH2212	1995-1990	Aerostar:	
<b>Spindle Hub</b>			Seal		15502
1995	Explorer:		(Speedi-Sleeve)		99155
	Seal (Inner)	22311	Bearing (Front)	BR52	
	Seal (Outer)	13144	(Set Components)	M88048/M88010	
	Bearing	B2110	Bearing (Rear)	M86649/M86610	
1995	Ranger:		1994-1990	From 10/89 Exc. Aerostar:	
	Seal (Inner)	18844	Seal		18159
	Seal (Outer)	25013	(Speedi-Sleeve)		99181
	Bearing	B2110	Bearing (Front)	M86649/M86610	
1994-1993	Explorer & Ranger:		Bearing (Rear)	BR90	
	Seal (Inner)	18844	(Set Components)	HM88648/HM88610	
	Seal (Outer)	13144	1989-1983	Thru 10/89:	
	Bearing	B2110	Seal		15502
1992-1990	All:		(Speedi-Sleeve)		99155
	Seal	22311	Bearing (Front)	BR52	
	Bearing	B2110	(Set Components)	M88048/M88010	
1989-1983	All:		Bearing (Rear)	M86649/M86610	
	Seal (Inner)	17846	<b>Rear Axle</b>		
	Seal (Outer)	11050	1995-1983	7.50" & 8.80" Ring Gears Exc. Aerostar w/Spicer 30 Axle:	
	Bearing	SCE188	Seal		18136
	Seal & Bearing Kit	BK4	(Speedi-Sleeve)		99181
<b>Wheel Front (A.W.D.)</b>			Bearing (Front)	BR52	
1995-1990	Aerostar:		(Set Components)	M88048/M88010	
	Hub Assembly	BR930116	Bearing (Rear)	M802048/M802011	
<b>Wheel Rear</b>			1990-1989	Aerostar w/Spicer 30 E99RA & RB Axles:	
1995-1991	Explorer:		Seal		15791
	Seal	◇16044	(Speedi-Sleeve)		99155
	(Superseded by:)	16404	Bearing (Front)	M86647/M86610	
	Bearing	R1559-TV	Bearing (Rear)	HM88649/HM88610	
	(Axle Repair Brg. Assy.)	• R1559	(Continued)		

Ford Truck Aerostar, Bronco II, Explorer, Ranger -- (Cont.)

MFG./YEAR	MODEL & LOCATION	PART NO.	MFG./YEAR	MODEL & LOCATION	PART NO.
<b>Pinion (Cont.)</b>			<b>Clutch (Cont.)</b>		
<b>Rear Axle (Cont.)</b>			<b>Release (Cont.)</b>		
1989-1987	Aerostar w/Spicer 30 Axle Exc. E99RA & RB Axles:		1987-1985	All:	
	Seal	15788		Bearing Assembly	N4035
	(Speedi-Sleeve)	99155	1984-1983	w/o 2.2L Diesel Eng.:	
	Bearing (Front)	M86647/M86610		Bearing Assembly	N1714
	Bearing (Rear)	HM88649/HM88610		(Self-Aligning)	N1714-SA
1984-1983	6.75" Ring Gear:		1984-1983	2.2L Diesel Eng.:	
	Seal	18100		Bearing Assembly	N4034
	(Speedi-Sleeve)	99181	<b>Transfer Case</b>		
	Bearing (Front)	M86649/M86610	<b>Kit</b>		
	Bearing (Rear)	BR90	1995-1990	1354 Manual Shift or Electric Shift:	
	(Set Components)	HM88648/HM88610		Transfer Case Kit	STCK1354
<b>Differential</b>			1995	4405 V-6 w/ Electric Shift:	
<b>Kit</b>				Transfer Case Kit	STCK4405
1995-1990	8.80" Ring Gear:		<b>Drive Link Sprocket</b>		
	Standard Seal and Bearing Kit Rear	SDK311	1995-1990	Aerostar:	
	Master Seal and Bearing Kit Rear	SDK311-MK		Bearing	[3] B2110
1995-1983	7.50" Ring Gear:		<b>Front Output Shaft</b>		
	Standard Seal and Bearing Kit Rear	SDK315	1995-1991	Warner 1354:	
1995-1990	Dana 35 Axle:			Seal	16485
	Standard Seal and Bearing Kit Front	SDK335		Bearing (Front)	6206-J
1995-1983	Dana 28 Axle:			Bearing (Rear)	JH1612
	Standard Seal and Bearing Kit Front	SDK333	1995-1990	Aerostar:	
1989-1986	Dana 30 ENSP 89-1/2 Axle:			Seal	18623
	Standard Seal and Bearing Kit Rear	SDK339		Bearing (Front)	6008-J
				Bearing (Rear)	6209-J
<b>Front Axle</b>			1990-1983	Warner 1350 w/Electronic Shift:	
1995-1991	Explorer:			Seal	18771
	Bearing	[2] BR72		(Speedi-Sleeve)	99187
	(Set Components)	LM501349/LM501314		Bearing (Front)	6207-J
1995-1989	Ranger From 10/89:			Bearing (Center)	6207-J
	Bearing	[2] BR72		Bearing (Rear)	B2012
	(Set Components)	LM501349/LM501314	1990-1983	Warner 1350 w/Man. Shift:	
1995-1984	Aerostar & Bronco II:			Seal (Inner)	15900
	Bearing	[2] LM29749/LM29710		(Speedi-Sleeve) (Inner)	99157
1989-1983	Ranger Thru 10/89:			Seal (Outer)	◇16017
	Bearing	[2] LM29749/LM29710		(Superseded by):	16427
<b>Rear Axle</b>				Bearing (Inner)	6206-J
1995-1984	8.80" Ring Gear:			Bearing (Outer)	6008-J
	Bearing	[2] BR36	<b>Input Shaft</b>		
	(Set Components)	LM603049/LM603012	1995-1991	Warner 1354:	
1995-1983	w/o 8.80" Ring Gear:			Seal	16485
	Bearing	[2] BR72		Bearing	6009-NRJ
	(Set Components)	LM501349/LM501314	1995-1990	Aerostar:	
<b>Clutch</b>				Seal	17353
<b>Pilot</b>				Bearing	6209-2RSJ
1995-1983	2.0L, 2.3L, 2.5L & 3.0L Eng.s.:		1990-1983	Warner 1350:	
	Bearing	FC65354		Seal	17502
1995-1983	2.8L, 2.9L & 4.0L Eng.s. w/Toyo Kogyo Trans.:			(Speedi-Sleeve)	99174
	Bearing	N3057		Bearing	6009-NRJ
1992-1985	2.8L & 2.9L Eng.s. w/Mitsubishi Trans.:		<b>Rear Output Shaft</b>		
	Bearing	FC65354	1995-1990	Warner 1354:	
1984-1983	2.2L Diesel Eng.:			Seal	16485
	Bearing	6202-2ZJ		Bearing	6206-J
<b>Release</b>			1995-1990	Aerostar:	
1995-1993	w/o M5R4 Trans.:			Seal	14635
	Bearing Assembly	N4119		Bearing	6209-J
1992-1988	All:		1989-1983	Warner 1350 & 1354:	
	Bearing Assembly	N4061		Seal	16485
				Bearing	6206-J

(Continued)

# Passenger cars, light & medium trucks

## (Cont.) -- Ford Truck Aerostar, Bronco II, Explorer, Ranger

MFG./YEAR	MODEL & LOCATION	PART NO.	MFG./YEAR	MODEL & LOCATION	PART NO.
<b>Transfer Case (Cont.)</b>			<b>Transmission-Manual (Cont.)</b>		
<b>Shift Shaft</b>			<b>Countershaft (Cont.)</b>		
1995	Warner Transfer Case:		1984	5 Spd. Toyo Kogyo Trans. w/Diesel Eng.:	
	Seal .....	3687	Bearing (Front) .....	JH1612	
<b>Transmission-Automatic</b>			Bearing (Center) .....	6304-J	
<b>Front Pump</b>			1984-1983	4 Spd. Toyo Kogyo Trans. w/o Diesel Eng.:	
1995-1994	AODE-E, 4R70W & 4R75W Trans.:		Bearing (Rear) .....	5205-ANR	
	Seal .....	19799	1983	4 Spd. Toyo Kogyo Trans. w/Diesel Eng.:	
	(Reorder:) .....	+20031	Bearing (Front) .....	6205-2RSJ	
	(Speedi-Sleeve) .....	99196	Bearing (Rear) .....	5205-ANR	
1995-1983	A4LD, A4LD-E, 4R44E, 4R55E & C3 Trans.:		<b>Fifth Speed Gear</b>		
	Seal .....	16225	1988-1985	5 Spd. Mitsubishi Trans.:	
1984-1983	C5 Trans.:		Bearing .....	BR3507	
	Seal .....	19807	<b>Front</b>		
	(Speedi-Sleeve) .....	99199	1995-1990	5 Spd. Mazda Trans.:	
	(Speedi-Sleeve/Seal Kit) .....	480198	Seal .....	10661	
<b>Rear</b>			(Speedi-Sleeve) .....	99106	
1995-1994	AODE-E, 4R70W & 4R74W Trans.:		Bearing .....	BR54	
	Seal (w/Long Boot) .....	15977	1993-1988	5 Spd. Toyo Kogyo Trans.:	
	Seal (w/Short Boot) .....	15966	Seal .....	10661	
1995-1983	A4LD, A4LD-E, 4R44E, 4R55E & C3 Trans.:		(Speedi-Sleeve) .....	99106	
	Seal .....	13685	Bearing .....	BR54	
	(Speedi-Sleeve) .....	99138	1992-1985	5 Spd. Mitsubishi Trans.:	
1983	2 W/D Ranger w/C5 Trans.:		Seal .....	11592	
	Seal .....	14978	(Speedi-Sleeve) .....	99114	
	(Speedi-Sleeve) .....	99149	Bearing .....	6307-VSP35	
	Seal & Bushing Kit .....	14982	1987-1983	4 & 5 Spd. Toyo Kogyo Trans. w/o Diesel Eng.:	
	(Speedi-Sleeve/Seal Kit) .....	480148	Seal .....	10661	
<b>Shift Shaft</b>			(Speedi-Sleeve) .....	99106	
1995-1983	All:		Bearing .....	6307-NRJ	
	Seal .....	7556	1984-1983	4 & 5 Spd. Toyo Kogyo Trans. w/Diesel Eng.:	
	(Speedi-Sleeve) .....	99076	Seal .....	10661	
<b>Transmission</b>			(Speedi-Sleeve) .....	99106	
<b>Kit</b>			Bearing .....	6306-2RSNR	
1989-1988	RWD, M5R1 Trans Mfr Code, 5 Speed; 36 Tooth 5th Gear Synchro:		<b>Mainshaft</b>		
	Light Duty Kit .....	STK247	1995-1990	5 Spd. Mazda Trans.:	
1989-1988	4WD, FM146 Trans Mfr Code, 5 Speed; 12 Bolt Bottom Pan, Synchronized Rev.:		Bearing (Center) .....	BR69	
	Light Duty Kit .....	STK50	Bearing (Rear) .....	6207-VSP33	
1987-1986	4WD, FM145 Trans Mfr Code, 5 Speed; 12 Bolt Bottom Pan:		1991-1987	4 Spd. & 5 Spd. Toyo Kogyo Trans. w/o Diesel Eng.:	
	Light Duty Kit .....	STK50	Bearing (Center) .....	BR69	
<b>Transmission-Manual</b>			<b>Rear</b>		
<b>Countershaft</b>			1995-1990	5 Spd. Mazda Trans. w/2 W/D:	
1995-1990	5 Spd. Mazda Trans.:		Seal .....	14900	
	Bearing (Front) .....	MR1205-EX	1995-1990	5 Spd. Mazda Trans. w/4 W/D:	
	Bearing (Center) .....	MR1206-EX	Seal .....	11592	
	Bearing (Rear) .....	6304-J	(Speedi-Sleeve) .....	99114	
1993-1988	5 Spd. Toyo Kogyo Trans.:		1993-1988	5 Spd. Toyo Kogyo Trans.:	
	Bearing (Front) .....	MR1205-EX	Seal .....	14900	
	Bearing (Center) .....	MR1206-EX	1992-1988	5 Spd. Mitsubishi Trans. w/2 W/D:	
	Bearing (Rear) .....	6304-J	Seal .....	13685	
1992-1985	5 Spd. Mitsubishi Trans.:		(Speedi-Sleeve) .....	99138	
	Bearing (Front) .....	BR30205	Bearing .....	6206-2RSJ	
	Bearing (Center) .....	BR30205	1992-1988	5 Spd. Mitsubishi Trans. w/4 W/D:	
1987	5 Spd. Toyo Kogyo Trans. w/o Diesel Eng.:		Seal .....	13907	
	Bearing (Front) .....	5205-ANR	(Speedi-Sleeve) .....	99139	
	Bearing (Center) .....	MR1206-EX	Bearing .....	6206-2RSJ	
1986-1983	5 Spd. Toyo Kogyo Trans. w/o Diesel Eng.:		1987-1985	5 Spd. Mitsubishi Trans.:	
	Bearing (Front) .....	5205-ANR	Bearing .....	6206-2RSJ	
			1987-1985	5 Spd. Toyo Kogyo Trans.:	
			Seal .....	13759	
			Bearing .....	6108-A	

(Continued)

Ford Truck Aerostar, Bronco II, Explorer, Ranger -- (Cont.)

MFG./YEAR	MODEL & LOCATION	PART NO.	MFG./YEAR	MODEL & LOCATION	PART NO.
<b>Transmission-Manual (Cont.)</b>			<b>Engine (Cont.)</b>		
<b>Rear (Cont.)</b>			<b>Accessory Drive Belt Idler</b>		
1984-1983	4 & 5 Spd. Toyo Kogyo Trans.:		1995-1992	Ranger w/2.3L & 2.5L Engs.:	
	Seal .....	13527		Bearing (Pulley) .....	VKM900022
	(Speedi-Sleeve) .....	99138	<b>Pump Shaft</b>		
	Bearing .....	6108-A	1987-1985	140 (2.3L) Diesel Eng.:	
<b>Reverse Idler</b>				Seal .....	6611
1984	5 Spd. Toyo Kogyo Trans. w/Diesel Eng.:			(Speedi-Sleeve) .....	99068
	Bearing .....	JH1612	<b>Timing Belt Tensioner</b>		
<b>Third Speed Gear</b>			1995-1983	140 (2.3L) Eng.:	
1988-1986	5 Spd. Toyo Kogyo Trans.:			Bearing & Housing Assy. ....	VKM54001
	Bearing .....	6207-VSP33	<b>Timing Belt and Tensioner Kit</b>		
<b>Air Conditioning Compressor</b>			1995	140 (2.3L) Eng.:	
1995-1989	Integral A/C Comp.:			Belt & Tensioner Kit .....	VKMA44003
	Bearing .....	5106-WCC	1994-1983	140 (2.3L) Eng. w/Square Tooth Sprockets:	
<b>Alternator</b>				Belt & Tensioner Kit .....	VKMA44001
1992-1983	60, 75 & 80 Amp.:		1988-1983	122 (2.0L) Eng.:	
	Bearing (Front) .....	6203-2RSJ		Belt and Tensioner Kit .....	VKMA44001
	Bearing (Rear) .....	MNJ471-S	<b>Timing Cover</b>		
<b>Drive Shaft</b>			1995-1986	183 (3.0L) Eng.:	
1995-1990	Ranger:			Seal (Viton) .....	18544
	Bearing & Support .....	HB209-KF		Seal .....	18548
1989-1986	Ranger w/125" W.B.:			(Speedi-Sleeve) .....	99187
	Bearing & Support .....	HB106-FF		(Speedi-Sleeve/Seal Kit) .....	480185
<b>Engine</b>			1995-1991	Explorer w/241 (4.0L) Eng.:	
<b>Auxiliary Shaft</b>				Seal .....	16473
1993-1983	122 (2.0L) & 140 (2.3L) Gas Engs.:		1995-1983	171 (2.8L), 177 (2.9L) & 241 (4.0L) Engs. Exc. Explorer:	
	Seal (Viton) .....	17107		Seal .....	16473
	Seal .....	17106	1995-1983	122 (2.0L) & 140 (2.3L) Gas Engs.:	
1987-1985	140 (2.3L) Diesel Eng.:			Seal (Viton) .....	17107
	Seal .....	9706		Seal .....	17106
	(Speedi-Sleeve) .....	99098	1987-1985	140 (2.3L) Diesel Eng.:	
<b>Camshaft</b>				Seal .....	17629
1993-1983	122 (2.0L) & 140 (2.3L) Engs.:			(Speedi-Sleeve) .....	99177
	Seal (Viton) .....	17107	1984-1983	134 (2.2L) Diesel Eng.:	
	Seal .....	17106		Seal .....	20255
<b>Crankshaft-Rear</b>			<b>Steering-Power</b>		
1995-1993	183 (3.0L) Eng.:		<b>Pitman Shaft</b>		
	Seal .....	34611	1993-1986	Aerostar:	
1995-1990	241 (4.0L) Eng.:			Bearing .....	FC65753
	Seal .....	23823	<b>Pump Shaft</b>		
1995-1984	122 (2.0L) & 140 (2.3L) Gas Engs.:		1993-1983	w/o Diesel Eng.:	
	Seal .....	36147		Seal .....	6765
	(Speedi-Sleeve) .....	99362	1987-1985	140 (2.3L) Diesel Eng.:	
1992-1986	183 (3.0L) Eng.:			Bearing .....	6203-RSJ
	Seal .....	34611	<b>Worm Shaft</b>		
1992-1983	171 (2.8L) & 177 (2.9L) Engs.:		1993-1986	Aerostar:	
	Seal .....	23641		Seal .....	8178
	(Speedi-Sleeve) .....	99237		Bearing .....	6201-2RSJ
1987-1985	140 (2.3L) Diesel Eng.:		1993-1983	Bronco II, Explorer & Ranger:	
	Seal .....	31506		Seal .....	8178
	(Speedi-Sleeve) .....	99317		Bearing .....	FC65753
1984-1983	134 (2.2L) Diesel Eng.:		<b>Steering-Standard</b>		
	Seal .....	39136	<b>Pitman Shaft</b>		
	(Speedi-Sleeve) .....	99399	1993-1983	All:	
1983	122 (2.0L) & 140 (2.3L) Gas Engs.:			Seal .....	11610
	Seal (1 Piece) .....	36147	(Continued)		
	(Speedi-Sleeve) (1 Piece) .....	99362			
	Seal (2 Piece) .....	205			

Passenger cars, light & medium trucks

(Cont.) -- Ford Truck Aerostar, Bronco II, Explorer, Ranger

MFG./YEAR	MODEL & LOCATION	PART NO.	MFG./YEAR	MODEL & LOCATION	PART NO.
<b>Steering-Standard (Cont.)</b>					
<b>Worm Shaft</b>					
1995-1994 From 5/94:					
	Bearing .....	FC65753			
1993-1983 All:					
	Seal .....	◇7210			
	(Superseded by).....	7473			

**Ford Truck Bronco**

**Wheel Front**

1995 Auto. Locking Hubs:

Seal ..... 23276

Seal (w/Boot) ..... 25009

Seal Kit ..... 25050

Bearing (Inner) ..... BR37

(Set Components) ..... LM603049/LM603011

Bearing (Outer) ..... BR35

(Set Components) ..... LM501349/LM501310

1995 Man. Locking Hubs From 5/1/95:

Seal ..... 23276

Seal (w/Boot) ..... 25009

Seal Kit ..... 25050

Bearing (Inner) ..... BR37

(Set Components) ..... LM603049/LM603011

Bearing (Outer) ..... BR35

(Set Components) ..... LM501349/LM501310

1995 Man. Locking Hubs Thru 5/1/95:

Seal ..... 24917

Bearing (Inner) ..... BR37

(Set Components) ..... LM603049/LM603011

Bearing (Outer) ..... BR35

(Set Components) ..... LM501349/LM501310

1994-1990 All:

Seal ..... 24917

Bearing (Inner) ..... BR37

(Set Components) ..... LM603049/LM603011

Bearing (Outer) ..... BR35

(Set Components) ..... LM501349/LM501310

1989-1988 Spicer 44 Axle w/Man. Lock Hubs From 5/88 w/o 3.54 Ratio w/H.D. Frt. End:

Seal ..... 24917

Bearing (Inner) ..... BR37

(Set Components) ..... LM603049/LM603011

Bearing (Outer) ..... BR35

(Set Components) ..... LM501349/LM501310

1989-1988 Spicer 44 Axle w/Man. Lock Hubs, 3.54 Ratio & H.D. Frt. End From 5/88:

Seal ..... 26747

Bearing (Inner) ..... BR38

(Set Components) ..... LM104949/LM104911

Bearing (Outer) ..... BR35

(Set Components) ..... LM501349/LM501310

1989-1987 Spicer 44 w/Auto. Lock Hubs:

Seal ..... 24917

Bearing (Inner) ..... BR37

(Set Components) ..... LM603049/LM603011

Bearing (Outer) ..... BR35

(Set Components) ..... LM501349/LM501310

1988-1987 Thru 5/88 w/Man. Locking Hubs:

Seal ..... 26747

Bearing ..... [2] BR38

(Set Components) ..... LM104949/LM104911

**Wheel Front (Cont.)**

1986-1969 From Ser. F30001:

Seal ..... 24917

Bearing (Inner) ..... BR37

(Set Components) ..... LM603049/LM603011

Bearing (Outer) ..... BR35

(Set Components) ..... LM501349/LM501310

1969-1966 Thru Ser. F30000:

Seal ..... 24904

Bearing (Inner) ..... BR37

(Set Components) ..... LM603049/LM603011

Bearing (Outer) ..... BR35

(Set Components) ..... LM501349/LM501310

**Axle Shaft**

1995-1983 All:

Seal (L.H.) ..... 12925

Seal (R.H.) ..... 14247

Bearing ..... R1563-TAV

1982-1980 All:

Seal (L.H.) ..... 12925

Seal (R.H.) ..... 16735

1979-1978 All:

Seal ..... 13246

1977-1971 From Ser. K20001:

Seal ..... 13165

1971-1966 Thru Ser. K20000:

Seal (Inner) ..... 12456

Seal (Outer) ..... 13568

**Spindle Hub**

1995 Auto. Locking Hubs:

Seal (Inner) ..... 22311

Seal (Outer) ..... 711818

Bearing ..... B2110

Seal & Bearing Kit ..... BK1

1995 Man. Locking Hubs:

Seal (Inner) ..... 18844

Seal (Outer) ..... 13144

Bearing ..... B2110

1994-1993 All:

Seal (Inner) ..... 18844

Seal (Outer) ..... 13144

Bearing ..... B2110

1992-1973 All:

Seal (Inner) ..... 22311

Seal (Outer) ..... 711818

Bearing ..... B2110

Seal & Bearing Kit ..... BK1

1972-1966 All:

Seal ..... 19360

Bearing ..... B2110

(Continued)

**Ford Truck Bronco -- (Cont.)**

MFG./YEAR	MODEL & LOCATION	PART NO.	MFG./YEAR	MODEL & LOCATION	PART NO.
<b>Wheel Front (Cont.)</b>			<b>Pinion (Cont.)</b>		
<b>Steering Knuckle</b>			<b>Rear Axle</b>		
1971-1966 Thru Ser. K20000:			1995-1983 8.80" Ring Gear:		
	Bearing	BR11590/BR11520		Seal	18136
<b>Wheel Rear</b>				(Speedi-Sleeve)	99181
1995-1987 All:				Bearing (Front)	BR52
	Seal	16044		(Set Components)	M88048/M88010
	(Superseded by:)	16404		Bearing (Rear)	M802048/M802011
	Bearing	R1559-TV	1986-1984 9.00" Ring Gear:		
	(Axle Repair Brg. Assy.)	R1559		Seal	18136
1986-1980 8.80" Ring Gear:				(Speedi-Sleeve)	99181
	Seal	16044		Bearing	[2] BR52
	(Superseded by:)	16404		(Set Components)	M88048/M88010
	Bearing	R1559-TV		Bearing (Pilot)	R1535-TAV
	(Axle Repair Brg. Assy.)	R1559	1983-1980 w/o 8.80" Ring Gear:		
1986-1978 9.00" Ring Gear:				Seal	18833
	Seal	18881		(Speedi-Sleeve)	99181
	Bearing	BR20		Bearing	[2] BR52
1977-1973 2780 & 2900 lb. Axles:				(Set Components)	M88048/M88010
	Seal	13738		Bearing (Pilot)	R1535-TAV
	Sealed Bearing w/Lock Ring	RW207-CCRA	1979-1966 All:		
1977-1973 3300 lb. Axle:				Seal	18833
	Seal	15142		(Speedi-Sleeve)	99181
	Bearing w/Lock Ring	88128-RB		Bearing	[2] BR52
1972-1966 2780 lb. Axle:				(Set Components)	M88048/M88010
	Seal	13738		Bearing (Pilot)	R1535-TAV
	Sealed Bearing w/Lock Ring	RW207-CCRA	<b>Differential</b>		
1972-1966 3300 lb. Axle:			<b>Kit</b>		
	Seal	15142	1995-1983 8.80" Ring Gear:		
	Sealed Bearing w/Lock Ring	88128-R	Standard Seal and Bearing Kit Rear		
<b>Pinion</b>			Master Seal and Bearing Kit Rear		
<b>Front Axle</b>			1995-1967 Dana 44 Axle:		
1995 Auto. Locking Hubs:			Standard Seal and Bearing Kit Front		
	Seal	15788	1986-1970 9.00" 31 spline STSP 5/11/1970 Ring Gear:		
	(Speedi-Sleeve)	99155	Standard Seal and Bearing Kit Rear		
	Bearing (Front)	BR31594/BR31520	1970-1967 9.00" 28 spline ENSP 5/10/70 Ring Gear:		
	Bearing (Rear)	BR02872/BR02820	Standard Seal and Bearing Kit Rear		
1995 Man. Locking Hubs:			<b>Front Axle</b>		
	Seal	15788	1995-1986 Spicer 44 Axle:		
	(Speedi-Sleeve)	99155	Bearing (Inner)		
	Bearing (Front)	HM88649/HM88610	Bearing (Outer)		
	Bearing (Rear)	BR02872/BR02820	1985-1983 All:		
1994-1971 From Ser. K20001:			Bearing (Inner)		
	Seal	15788	Bearing (Outer)		
	(Speedi-Sleeve)	99155	1982-1980 All:		
	Bearing (Front)	BR31594/BR31520	Bearing (Inner)		
	Bearing (Rear)	BR02872/BR02820	Bearing (Outer)		
1971-1966 From Ser. 816001 Thru Ser. K20000:			1979-1973 All:		
	Seal	15788	Bearing		
	(Speedi-Sleeve)	99155	(Set Components)		
	Bearing (Front)	HM88649/HM88610	1972-1971 From Ser. K20001:		
	Bearing (Rear)	BR02872/BR02820	Bearing		
1966 Thru Ser. 816000:			1971-1966 Thru Ser. K20000:		
	Seal	15788	Bearing		
	(Speedi-Sleeve)	99155	(Set Components)		
	Bearing (Front)	HM88649/HM88610	1995-1983 8.80" Ring Gear:		
	Bearing (Rear)	M86647/M86610	Bearing		
			(Set Components)		
			1986-1970 9.00" Ring Gear From 5/13/70:		
			Bearing		
			(Set Components)		
			(Continued)		



MFG./YEAR	MODEL & LOCATION	PART NO.	MFG./YEAR	MODEL & LOCATION	PART NO.
<b>Differential (Cont.)</b>			<b>Transfer Case (Cont.)</b>		
<b>Rear Axle (Cont.)</b>			<b>Front Output Shaft (Cont.)</b>		
1970-1966	WEM & WEN Axles Exc. BIX & FIX Suffix Thru 5/12/70:		1979-1978	New Process 203:	
	Bearing ..... [2]	BR35		Seal .....	18872
	(Set Components) ..... LM501349/LM501310			(Speedi-Sleeve) .....	99187
1967	WEM & WEN Axles w/BIX & FIX Suffix:			Bearing (Front) .....	6307-NRJ
	Bearing ..... [2]	BR37		Bearing (Rear) .....	M28161
	(Set Components) ..... LM603049/LM603011		1979-1978	New Process 205:	
<b>Clutch</b>				Seal .....	21203
<b>Pilot</b>				(Speedi-Sleeve) .....	99212
1995-1973	w/o 170 & 200 Engs.:			Bearing (Front) .....	6307-NRJ
	Bearing .....	N3058		Bearing (Rear) .....	M28161
<b>Release</b>				Bearing (Gear) .....	[64] QBR23549
1995-1993	5 Spd. Trans.:		1977-1972	Spicer 20 From Ser. N40001:	
	Bearing Assembly .....	N4119		Seal .....	15450
1993-1988	4 Spd. Trans.:			(Speedi-Sleeve) .....	99155
	Bearing Assembly .....	N1714		Bearing .....	BR14116/BR14276
	(Self-Aligning) ..... N1714-SA		1972-1966	Spicer 18 Thru Ser. N40000:	
1992-1988	5 Spd. Trans.:			Seal .....	15450
	Bearing Assembly .....	N4061		(Speedi-Sleeve) .....	99155
1987-1983	w/o ZF Trans.:			Bearing .....	BR14131/BR14276
	Bearing Assembly .....	N1714	<b>Idler Shaft</b>		
	(Self-Aligning) ..... N1714-SA		1979-1978	New Process 203:	
1982-1980	All:			Bearing .....	[72] QAR29523
	Bearing Only .....	N1586	1979-1978	New Process 205:	
	Bearing Assembly .....	N1439		Bearing .....	[2] BR2793/BR2720
1979-1967	All:		<b>Input Shaft</b>		
	Bearing Assembly .....	N1444	1995	Warner 1356:	
	(Self-Aligning) .....	N1444-SA		Seal .....	18892
	(Heavy Duty) .....	N1439		(Speedi-Sleeve) .....	99187
1966	All:			Bearing .....	6010-J
	Bearing Only .....	N1586	1994-1987	Warner 1356:	
	Bearing Assembly .....	N1439		Seal .....	18771
<b>Transfer Case</b>				(Speedi-Sleeve) .....	99187
<b>Kit</b>				Bearing .....	6010-J
1995-1992	1356 Electric Shift:		1990-1981	Warner 1345:	
	Transfer Case Kit .....	STCK1356		Seal .....	17502
1995-1987	1356 Manual Shift:			(Speedi-Sleeve) .....	99174
	Transfer Case Kit .....	STCK1356	1986-1980	New Process 208:	
1986-1981	1345:			Seal .....	19255
	Transfer Case Kit .....	STCK1345		(Speedi-Sleeve) .....	99193
1979-1978	205 Direct Mount:			Bearing .....	[2] B5020
	Transfer Case Kit .....	STCK205-F		Bearing (Thrust) .....	AXK5070
<b>Front Output Shaft</b>			1979-1978	New Process 203 & 205:	
1995-1987	Warner 1356:			Seal .....	19255
	Seal .....	18771		(Speedi-Sleeve) .....	99193
	(Speedi-Sleeve) .....	99187		Bearing .....	[2] 210-NRJ
	Bearing (Front) .....	6207-J	1977-1966	Spicer 18 & 20:	
	Bearing (Rear) .....	B2012		Seal .....	18676
1990-1981	Warner 1345:			(Speedi-Sleeve) .....	99187
	Seal .....	18687		Bearing .....	6307-NRJ
	Bearing (Front) .....	6207-J	<b>Mainshaft Pilot</b>		
	Bearing (Rear) .....	B2012	1986-1980	New Process 208:	
1986-1980	New Process 208:			Bearing .....	B2012
	Seal .....	18687		Bearing (Thrust) .....	TC2435
	Bearing (Rear) .....	M24161-X1	1979-1978	New Process 203 & 205:	
	Bearing (Thrust) .....	NTA2840		Bearing .....	[15] QAR29523
			<b>Oil Pump</b>		
			1986-1980	New Process 208:	
				Seal .....	22306
				(Speedi-Sleeve) .....	99225
			(Continued)		

**Ford Truck Bronco -- (Cont.)**

MFG./YEAR	MODEL & LOCATION	PART NO.	MFG./YEAR	MODEL & LOCATION	PART NO.
<b>Transfer Case (Cont.)</b>			<b>Transmission-Automatic (Cont.)</b>		
<b>Rear Output Shaft</b>			<b>Front Pump (Cont.)</b>		
<b>1995-1987 Warner 1356:</b>			<b>1993-1973 w/o E40D &amp; AODE-W Trans.:</b>		
	Seal (Front) .....	18771		Seal .....	19807
	(Speedi-Sleeve) (Front) .....	99187		(Speedi-Sleeve) .....	99199
	Seal (Rear) .....	18687		(Speedi-Sleeve/Seal Kit) .....	480198
	Bearing .....	6207-J	<b>Rear</b>		
<b>1990-1981 Warner 1345:</b>			<b>1995-1978 w/o AOD, AODE-W &amp; AOT Trans.:</b>		
	Seal .....	18687		Seal .....	16725
	Bearing .....	6207-J		(Speedi-Sleeve) .....	99168
<b>1987-1984 New Process 208 w/Slip Yoke:</b>				(Speedi-Sleeve/Seal Kit) .....	480168
	Seal .....	18992		Seal & Bushing Kit .....	16727
	Bearing .....	6207-NRJ	<b>1994 AODE-W Trans.:</b>		
<b>1987-1980 New Process 208 w/Conventional Yoke:</b>				Seal .....	15966
	Seal .....	18687	<b>1994-1985 AOD &amp; AOT Trans.:</b>		
	Bearing .....	6207-NRJ		Seal .....	14978
<b>1979-1978 New Process 203:</b>				(Speedi-Sleeve) .....	99149
	Seal (Lower) .....	18872		(Speedi-Sleeve/Seal Kit) .....	480148
	(Speedi-Sleeve) (Lower) .....	99187	<b>1977-1973 C4 Trans.:</b>		
	Seal (Upper) .....	18658		Seal .....	14978
	(Speedi-Sleeve) (Upper) .....	99187		(Speedi-Sleeve) .....	99149
	Bearing (Inner) .....	B3616		(Speedi-Sleeve/Seal Kit) .....	480148
	Bearing (Outer) .....	6307-NRJ	<b>Shift Shaft</b>		
	Bearing (Pilot) .....	[15] QAR29523	<b>1995-1973 All:</b>		
<b>1979-1978 New Process 205:</b>				Seal .....	7556
	Seal .....	21203		(Speedi-Sleeve) .....	99076
	(Speedi-Sleeve) .....	99212	<b>Transmission</b>		
	Bearing (Inner) .....	B3216	<b>Kit</b>		
	Bearing (Outer) .....	6307-NRJ	<b>1992-1990 4WD, S5-42 Trans Mfr Code, 5 Speed;</b>		
	Bearing (Gear) .....	[64] QBR23549	<b>Includes Mainshaft Needles:</b>		
<b>1977-1975 Spicer 20:</b>				Light Duty Kit .....	STK300-ZF
	Seal .....	15635	<b>1990-1988 4WD, T-18 Trans Mfr Code, 4 Speed:</b>		
	(Speedi-Sleeve) .....	99156		Light Duty Kit .....	STK82-F
	Bearing (Front) .....	BR25877/BR25821	<b>1989-1988 4WD, M5R2 Trans Mfr Code, 5 Speed; 42</b>		
	Bearing (Rear) .....	BR15117/BR15245	<b>Tooth 5th Gear Synchro:</b>		
<b>1974-1966 Spicer 18 &amp; 20:</b>				Light Duty Kit .....	STK248
	Seal .....	15450	<b>1985-1980 4WD, T-18 Trans Mfr Code, 4 Speed:</b>		
	(Speedi-Sleeve) .....	99155		Light Duty Kit .....	STK82-F
	Bearing (Front) .....	BR25877/BR25821	<b>Transmission-Manual</b>		
	Bearing (Rear) .....	BR15117/BR15245	<b>Countershaft</b>		
<b>Shift Shaft</b>			<b>1995-1989 5 Spd. Mazda Trans.:</b>		
<b>1990-1987 Warner 1356:</b>				Bearing (Front) .....	MR1205-EX
	Seal .....	3687		Bearing (Center) .....	MR1206-EX
<b>1979-1978 New Process 203 &amp; 205:</b>				Bearing (Rear) .....	6304-J
	Seal .....	7443	<b>1993-1979 4 Spd. Warner T-18 Trans.:</b>		
	(Speedi-Sleeve) .....	99076		Bearing .....	[88] C436-Q
<b>1977-1966 Spicer 18 &amp; 20:</b>			<b>1990-1980 4 Spd. O/D Ford Trans.:</b>		
	Seal .....	6203		Bearing .....	[42] QAR33724
	(Superseded by:) .....	6903	<b>1988 5 Spd. Toyo Kogyo Trans.:</b>		
	(Speedi-Sleeve) .....	99062		Bearing (Front) .....	MR1205-EX
<b>Side Gear</b>				Bearing (Center) .....	MR1207-EL
<b>1986-1980 New Process 208:</b>			<b>1987-1978 4 Spd. New Process 435 Trans.:</b>		
	Bearing .....	[120] C1086-Q		Bearing (Front) .....	M24161-X1
<b>1979-1978 New Process 203:</b>				Bearing (Rear) .....	B3216
	Bearing .....	[123] C1086-Q		Bearing (Thrust) .....	6206-ZJ
<b>Transmission-Automatic</b>			<b>1977-1966 3 Spd. Ford Trans.:</b>		
<b>Front Pump</b>				Bearing .....	[50] C1086-Q
<b>1995-1990 E40D Trans.:</b>			<b>Fifth Speed Gear</b>		
	Seal .....	19966	<b>1988 5 Spd. ZF Trans.:</b>		
<b>1994 AODE-W Trans.:</b>				Bearing .....	F209031
	Seal .....	19799	(Continued)		
	(Reorder:) .....	+20031			
	(Speedi-Sleeve) .....	99196			

# Passenger cars, light & medium trucks

## (Cont.) -- Ford Truck Bronco

MFG./YEAR	MODEL & LOCATION	PART NO.	MFG./YEAR	MODEL & LOCATION	PART NO.
<b>Transmission-Manual (Cont.)</b>			<b>Transmission-Manual (Cont.)</b>		
<b>First Speed Gear</b>			<b>Rear (Cont.)</b>		
1988	5 Spd. ZF Trans.:		1993-1984	4 Spd. Warner T-18 Trans.:	
	Bearing .....	F206756		Seal .....	14978
<b>Front</b>				(Speedi-Sleeve) .....	99149
1995-1989	5 Spd. Mazda Trans.:			Bearing .....	6308-VSP65
	Seal .....	10661	1990-1988	5 Spd. Toyo Kogyo Trans.:	
	(Speedi-Sleeve) .....	99106		Seal .....	14900
	Bearing .....	BR54		Bearing (Center) .....	BR69
1993-1984	4 Spd. Warner T-18 Trans.:			Bearing (Rear) .....	6208-VSP37
	Seal .....	12363	1990-1988	5 Spd. ZF Trans.:	
	(Speedi-Sleeve) .....	99125		Seal .....	15803
	Bearing .....	6308-NRJ		(Speedi-Sleeve) .....	99157
1990-1988	5 Spd. Toyo Kogyo Trans.:			Bearing .....	J28573/BR28521
	Seal .....	11612	1990-1985	4 Spd. O/D Ford Trans. From 11/18/84:	
	(Speedi-Sleeve) .....	99114		Seal .....	14978
	Bearing .....	BR55		(Speedi-Sleeve) .....	99149
1990-1988	5 Spd. ZF Trans.:			(Speedi-Sleeve/Seal Kit) .....	480148
	Seal .....	13946		Bearing .....	■ 6308-NJ
	(Speedi-Sleeve) .....	99139	1988	5 Spd. ZF Trans. w/4 W/D:	
	Bearing .....	BR28580/BR28521		Seal .....	15803
1990-1985	4 Spd. O/D Ford Trans. From 11/18/84:			(Speedi-Sleeve) .....	99157
	Seal .....	11111	1987-1980	4 Spd. New Process 435 Trans.:	
	(Speedi-Sleeve) .....	99112		Bearing .....	308-NRJ
	Bearing .....	■ 6308-NJ	1985-1980	4 Spd. O/D Ford Trans. Thru 11/17/84:	
1987-1978	4 Spd. New Process 435 Trans.:			Seal .....	14978
	Seal .....	13557		(Speedi-Sleeve) .....	99149
	(Speedi-Sleeve) .....	99138		(Speedi-Sleeve/Seal Kit) .....	480148
	Bearing .....	HM88649/HM88610		Bearing .....	6308-VSP65
1985-1980	4 Spd. O/D Ford Trans. Thru 11/17/84:		1983-1979	4 Spd. Warner T-18 Trans.:	
	Seal .....	11111		Seal .....	15773
	(Speedi-Sleeve) .....	99112		(Speedi-Sleeve) .....	99156
	Bearing .....	6308-VSP65		Bearing .....	6308-VSP65
1983-1979	4 Spd. Warner T-18 Trans.:		1979-1978	4 Spd. New Process 435 Trans.:	
	Seal .....	12363		Bearing .....	6308-VSP65
	(Speedi-Sleeve) .....	99125	1977-1973	3 Spd. Ford Trans.:	
	Bearing .....	6308-NRJX		Seal .....	14978
1977-1966	3 Spd. Ford Trans.:			(Speedi-Sleeve) .....	99149
	Seal .....	11123		(Speedi-Sleeve/Seal Kit) .....	480148
	(Speedi-Sleeve) .....	99112		Bearing .....	■ 6207-NRJ
	Bearing .....	■ 6208-NRJ	1972-1966	3 Spd. Ford Trans.:	
<b>Mainshaft Pilot</b>				Seal .....	15005
1993-1979	4 Spd. Warner T-18 Trans.:			(Speedi-Sleeve) .....	99149
	Bearing .....	[22] C436-Q		(Speedi-Sleeve/Seal Kit) .....	480152
1990-1980	4 Spd. O/D Ford Trans.:			Bearing .....	■ 6207-NRJ
	Bearing .....	[15] QBR23549	<b>Reverse Gear</b>		
1988	5 Spd. ZF Trans.:		1990-1988	5 Spd. ZF Trans.:	
	Bearing .....	JH13349		Bearing .....	F206756
1987-1978	4 Spd. New Process 435 Trans.:		<b>Reverse Idler</b>		
	Bearing .....	[14] Q15902	1993-1979	4 Spd. Warner T-18 Trans.:	
	Bearing (Thrust) .....	FA35688		Bearing .....	[74] B1316-Q
1977-1966	3 Spd. Ford Trans.:		1990-1980	4 Spd. O/D Ford Trans.:	
	Bearing .....	[15] QBR23549		Bearing .....	[44] C407-Q
<b>Rear</b>			1988	5 Spd. ZF Trans.:	
1995	5 Spd. Mazda Trans.:			Bearing .....	F597071
	Seal .....	11592	<b>Second Speed Gear</b>		
	(Speedi-Sleeve) .....	99114	1988	5 Spd. ZF Trans.:	
1994-1989	5 Spd. Mazda Trans.:			Bearing .....	F206755
	Seal .....	11592	(Continued)		
	(Speedi-Sleeve) .....	99114			

**Ford Truck Bronco -- (Cont.)**

MFG./YEAR	MODEL & LOCATION	PART NO.
<b>Transmission-Manual (Cont.)</b>		
<b>Shift Shaft</b>		
1990-1980 4 Spd. O/D Ford Trans.:		
Seal		5510
(Speedi-Sleeve)		99056
<b>Third Speed Gear</b>		
1988 5 Spd. ZF Trans.:		
Bearing		F206755
<b>Air Conditioning Compressor</b>		
1995-1989 FX-15 Comp.:		
Bearing		5106-WCC
<b>Alternator</b>		
1993-1990 75 Amp. w/o 6 Cyl. Eng.:		
Bearing (Front)		6203-2RSJ
Bearing (Rear)		MNJ471-S
1989-1966 All:		
Bearing (Front)		6203-2RSJ
Bearing (Rear)		MNJ471-S
<b>Engine</b>		
<b>Crankshaft-Rear</b>		
1995-1992 300 (4.9L) & 351 (5.8L) Engs. From 5/29/92:		
Seal		37338
1995-1983 302 (5.0L) Eng. From 12/82:		
Seal		36147
(Speedi-Sleeve)		99362
1992-1985 300 (4.9L) Eng. From 4/85 Thru 5/29/92:		
Seal		37341
(Speedi-Sleeve)		99372
1985-1980 300 (4.9L) Eng. Thru 3/85:		
Seal		37340
(Speedi-Sleeve)		99372
1983-1978 351 M & W (5.8L) & 400 (6.6L) Engs. Thru 7/10/83:		
Seal (Rope)		196
Seal (Rubber)		211
1983-1966 255 (4.2L), 289 (4.7L) & 302 (5.0L) Engs. Thru 11/82:		
Seal (Rope)		196
Seal (Rubber)		205
1974-1967 170 (2.8L) & 200 (3.3L) Engs.:		
Seal (Rope)		196
Seal (Rubber)		204
<b>Timing Cover</b>		
1995-1978 255 (4.2L), 302 (5.0L), 351 M & W (5.8L) & 400 (6.6L) Engs.:		
Seal (Viton)		18544
Seal		18548
(Speedi-Sleeve)		99187
(Speedi-Sleeve/Seal Kit)		480185

**Engine (Cont.)**

<b>Timing Cover (Cont.)</b>		
1992-1985 300 (4.9L) Eng. From 5/15/85:		
Seal (Viton)		18544
Seal		18548
(Speedi-Sleeve)		99187
(Speedi-Sleeve/Seal Kit)		480185
1985-1980 300 (4.9L) Eng. Thru 5/14/85:		
Seal (Viton)		18546
Seal		18562
(Speedi-Sleeve)		99187
(Speedi-Sleeve/Seal Kit)		480186
1977-1966 250 (4.1L), 255 (4.2L), 289 (4.7L) & 302 (5.0L) Engs.:		
Seal (Viton)		18546
Seal		18562
(Speedi-Sleeve)		99187
(Speedi-Sleeve/Seal Kit)		480186
1974-1967 170 (2.8L) & 200 (3.3L) Engs.:		
Seal		17271
(Speedi-Sleeve)		99174

**Steering-Power**

<b>Pitman Shaft</b>		
1978-1972 All:		
Seal (Inner)		12371
Seal (Outer)		12355
Seal Kit		12392

**Pump Shaft**

1992-1966 Ford Pump:		
Seal		6765

**Worm Shaft**

1995-1994 From 5/94:		
Bearing		FC65753
1994-1978 Thru 5/94:		
Seal		8178
Bearing		FC65753
1977-1973 All:		
Seal		8648

**Steering-Standard**

<b>Pitman Shaft</b>		
1978 All:		
Seal		11605
1977-1966 All:		
Seal		12350

**Ford Truck Courier**

**Wheel Front**

1982-1972 All:		
Seal		17757
Bearing (Inner)		BR30206
Bearing (Outer)		BR30204

**Wheel Rear**

1982-1972 All:		
Seal (Inner)		13954
Seal (Outer)		18873
Bearing		BR30208
		(Continued)

# Passenger cars, light & medium trucks

(Cont.) -- Ford Truck Courier

MFG./YEAR	MODEL & LOCATION	PART NO.	MFG./YEAR	MODEL & LOCATION	PART NO.
<b>Pinion</b>			<b>Alternator</b>		
1982-1972	All:		1982-1972	All:	
	Bearing (Front)	BR30306		Bearing (Front)	6202-2ZJ
	Bearing (Rear)	BR30307		Bearing (Rear)	6201-2ZJ
<b>Clutch</b>			<b>Drive Shaft</b>		
<b>Pilot</b>			1982-1980 All:		
1982-1977	w/o 140 (2.3L) Eng.:			Seal	12746
	Bearing	6202-2ZJ		(Speedi-Sleeve)	99128
1982-1977	140 (2.3L) Eng.:			Bearing	6205-RSJ
	Bearing	FC65354	1979-1972 All:		
<b>Release</b>				Seal	12746
1982-1979	All:			(Speedi-Sleeve)	99128
	Bearing Assembly	N4034		Bearing	6205-J
<b>Transmission-Automatic</b>			<b>Engine</b>		
<b>Front Pump</b>			<b>Auxiliary Shaft</b>		
1982-1973	All:		1982-1977	140 (2.3L) Eng.:	
	Seal	16514		Seal (Viton)	17107
	(Speedi-Sleeve)	99169		Seal	17106
<b>Rear</b>			<b>Camshaft</b>		
1982-1973	All:		1982-1977	140 (2.3L) Eng.:	
	Seal	13931		Seal (Viton)	17107
	(Speedi-Sleeve)	99139		Seal	17106
<b>Transmission-Manual</b>			<b>Crankshaft-Rear</b>		
<b>Countershaft</b>			1981-1980	140 (2.3L) Eng.:	
1982-1976	5 Spd. Trans. Exc. Export:			Seal	205
	Bearing	5205-ANR	1978-1972	110 (1.8L) Eng.:	
1979-1976	Export w/5 Spd. Trans.:			Seal	31517
	Bearing	6304-J		(Speedi-Sleeve)	99317
<b>Front</b>			<b>Timing Belt Tensioner</b>		
1982-1976	5 Spd. Trans.:		1982-1977	140 (2.3L) Eng.:	
	Seal	10661		Bearing & Housing Assy.	VKM54001
	(Speedi-Sleeve)	99106	<b>Timing Belt and Tensioner Kit</b>		
	Bearing	6307-NRJ	1982-1977	140 (2.3L) Eng.:	
1982-1972	4 Spd. Trans.:			Belt & Tensioner Kit	VKMA44001
	Seal	10661	<b>Timing Cover</b>		
	(Speedi-Sleeve)	99106	1982-1977	140 (2.3L) Eng.:	
	Bearing	6306-J		Seal (Viton)	17107
<b>Rear</b>				Seal	17106
1982-1976	5 Spd. Trans.:		1982-1972	110 (1.8L) & 121 (2.0L) Eng.:	
	Seal	13931		Seal	18970
	(Speedi-Sleeve)	99139		(Speedi-Sleeve)	99189
	Bearing	6305-J	1982-1972 4 Spd. Trans.:		
1982-1972	4 Spd. Trans.:			Seal	13931
	Seal	13931		(Speedi-Sleeve)	99139
	(Speedi-Sleeve)	99139		Bearing	6306-NRJ
	Bearing	6306-NRJ			

## Ford Truck Full size vans, Econoline, 1/2 ton van, E100, E150, 3/4 ton van, E200, E250, 1 ton van, E300, E350, E450, E550, E(Super Duty)

### Wheel Front

1995-1975	E100 & E150:	
	Seal	19743
	Bearing (Inner)	BR13
	(Set Components)	L68149/L68110
	Bearing (Outer)	BR12
	(Set Components)	LM12749/LM12710

### Wheel Front (Cont.)

1995-1980	E250, E350, E(Super Duty) & E450 From 11/80:	
	Seal	24017
	Bearing (Inner)	BR50
	(Set Components)	LM102949/LM102910
	Bearing (Outer)	BR15101/BR15245

(Continued)

**Ford Truck Full size vans, Econoline, 1/2 ton van, E100, E150, 3/4 ton van, E200, E250, 1 ton van, E300, E350, E450, E550, E(Super Duty) -- (Cont.)**

MFG./YEAR	MODEL & LOCATION	PART NO.	MFG./YEAR	MODEL & LOCATION	PART NO.
-----------	------------------	----------	-----------	------------------	----------

**Wheel Front (Cont.)**

**1980-1975 E250 & E350 Thru 10/80:**  
 Seal ..... 23300  
 Bearing (Inner) ..... BR50  
 (Set Components) ..... LM102949/LM102910  
 Bearing (Outer) ..... BR15101/BR15245

**1974-1969 E100 & E200:**  
 Seal ..... 19763  
 Bearing (Inner) ..... BR5  
 (Set Components) ..... LM48548/LM48510  
 Bearing (Outer) ..... BR3  
 (Set Components) ..... M12649/M12610

**1974-1969 E300:**  
 Seal ..... 20608  
 Bearing (Inner) ..... BR35  
 (Set Components) ..... LM501349/LM501310  
 Bearing (Outer) ..... BR15101/BR15245

**1968-1967 E100:**  
 Seal ..... 17386  
 Bearing (Inner) ..... BR6  
 (Set Components) ..... LM67048/LM67010  
 Bearing (Outer) ..... BR2  
 (Set Components) ..... LM11949/LM11910

**1966-1961 E100:**  
 Seal ..... 17392  
 Bearing (Inner) ..... BR6  
 (Set Components) ..... LM67048/LM67010  
 Bearing (Outer) ..... BR2  
 (Set Components) ..... LM11949/LM11910

**Wheel Rear**

**1995-1983 E100 & E150 w/8.80" Ring Gear:**  
 Seal ..... ↗16044  
 (Superseded by) ..... 16404  
 Bearing ..... R1559-TV  
 (Axle Repair Brg. Assy.) ..... • R1559

**1995-1992 E350 w/9.75" & 10.50" Ring Gears:**  
 Seal ..... 28754  
 Bearing (Inner) ..... 387-AS/382-A  
 Bearing (Outer) ..... BR38  
 (Set Components) ..... LM104949/LM104911

**1995-1980 E250 w/Spicer Semi-Floating Axle:**  
 Seal ..... 17100  
 Bearing ..... R1561-TV  
 (Axle Repair Brg. Assy.) ..... • R1561-F

**1995-1992 E250 w/9.75" Ring Gear:**  
 Seal ..... 28754  
 Bearing ..... R1561-TV  
 (Axle Repair Brg. Assy.) ..... • R1561-F

**1991-1983 E250 w/Ford Axle w/o 10.25" Ring Gear:**  
 Seal ..... ↗16044  
 (Superseded by) ..... 16404  
 Bearing ..... R1559-TV  
 (Axle Repair Brg. Assy.) ..... • R1559

**1991-1981 E250 & E350 w/Spicer Full-Floating Axle:**  
 Seal ..... 28720  
 Bearing (Inner) ..... 387-AS/382-A  
 Bearing (Outer) ..... BR38  
 (Set Components) ..... LM104949/LM104911

**Wheel Rear (Cont.)**

**1991-1980 E350 w/Ford Axle From 4/80 w/o 10.25" Ring Gear:**  
 Seal ..... 28720  
 Bearing (Inner) ..... 387-AS/382-A  
 Bearing (Outer) ..... BR38  
 (Set Components) ..... LM104949/LM104911

**1986-1980 E100 & E150 w/3750 lb. Axle & 9.00" Ring Gear:**  
 Seal ..... 18881  
 Bearing ..... BR20

**1980 E350 w/Ford Axle Thru 3/80 w/o 10.25" Ring Gear:**  
 Seal ..... 28746  
 Bearing (Inner) ..... 387-AS/382-A  
 Bearing (Outer) ..... BR38  
 (Set Components) ..... LM104949/LM104911

**1980-1976 E350 From Ser. A75000 w/7400 lb. Axle & Dual Rr. Whls.:**  
 Seal ..... 31753  
 Bearing (Inner) ..... JLM710949/JLM710910  
 Bearing (Outer) ..... BR38  
 (Set Components) ..... LM104949/LM104911

**1980-1975 E250 w/Spicer Full-Floating Axle:**  
 Seal ..... 24917  
 Bearing ..... [2] BR38  
 (Set Components) ..... LM104949/LM104911

**1979-1975 E100 & E150 w/2750 lb. Axle:**  
 Seal ..... 18881  
 Bearing ..... BR20

**1979-1975 E100 & E150 w/3300 lb. Axle:**  
 Seal ..... 15142  
 Sealed Bearing w/Lock Ring ..... 88128-R

**1979-1975 E100 & E150 w/3600 lb. & 3750 lb. Axles:**  
 Seal ..... 15142  
 Bearing ..... R1580-TV

**1979-1975 E350 w/o Dual Rr. Whls.:**  
 Seal ..... 28720  
 Bearing (Inner) ..... 387-AS/382-A  
 Bearing (Outer) ..... BR38  
 (Set Components) ..... LM104949/LM104911

**1976-1973 E300 & E350 w/Dual Rr. Whls. Thru Ser. A74999:**  
 Seal ..... 28720  
 Bearing (Inner) ..... 387-AS/382-A  
 Bearing (Outer) ..... BR38  
 (Set Components) ..... LM104949/LM104911

**1974 E100:**  
 Seal ..... 15142  
 Sealed Bearing w/Lock Ring ..... RW207-CCRA

**1974 E200 w/Roller Brg.:**  
 Seal ..... 18881  
 Bearing ..... BR20

**1974-1969 E200 w/3300 lb. Axle & Ball Brg.:**  
 Seal ..... 15142  
 Sealed Bearing w/Lock Ring ..... 88128-R

**1974-1969 E300 From Ser. F30001:**  
 Seal ..... 24917  
 Bearing ..... [2] BR38  
 (Set Components) ..... LM104949/LM104911

(Continued)

## Passenger cars, light & medium trucks

(Cont.) -- Ford Truck Full size vans, Econoline, 1/2 ton van, E100, E150, 3/4 ton van, E200, E250, 1 ton van, E300, E350, E450, E550, E(Super Duty)

MFG./YEAR	MODEL & LOCATION	PART NO.	MFG./YEAR	MODEL & LOCATION	PART NO.
<b>Wheel Rear (Cont.)</b>			<b>Pinion (Cont.)</b>		
1973-1969	E100:		1986-1975	E250 & E350 w/Spicer 60 & 61 Axles:	
	Seal .....	13738		Seal .....	18891
	Sealed Bearing w/Lock Ring .....	RW207-CCRA		(Speedi-Sleeve) .....	99187
1969	E300 Thru Ser. F30000:			Bearing (Front) .....	HM88542/HM88510
	Seal .....	23702		Bearing (Rear) .....	HM803146/HM803110
	Bearing (Inner) .....	BR18790/BR18720	1982-1980	E100 & E150:	
	Bearing (Outer) .....	BR25592/BR25520		Seal .....	18833
1967-1964	E100 w/2700 lb. & 3050 lb. Axles:			(Speedi-Sleeve) .....	99181
	Seal .....	13738		Bearing .....	[2] BR52
	Sealed Bearing w/Lock Ring .....	RW207-CCRA		(Set Components) .....	M88048/M88010
1967-1961	E100 w/2300 lb. Axle:			Bearing (Pilot) .....	R1535-TAV
	Seal .....	13598	1979-1975	E350 w/Spicer 70 Axle:	
	Sealed Bearing w/Lock Ring .....	RW207-CCRA		Seal .....	18891
1963-1961	E100 w/2700 lb. & 3050 lb. Axles:			(Speedi-Sleeve) .....	99187
	Seal .....	13598		Bearing (Front) .....	HM88542/HM88510
	Sealed Bearing w/Lock Ring .....	RW207-CCRA		Bearing (Rear) .....	HM807040/HM807010
<b>Pinion</b>			1979-1963	E100 & E150 w/Ford Axle w/o 2300 lb. WCC Axle:	
1995-1983	E150 & E250 w/8.80" Ring Gear:			Seal .....	18833
	Seal .....	18136		(Speedi-Sleeve) .....	99181
	(Speedi-Sleeve) .....	99181		Bearing .....	[2] BR52
	Bearing (Front) .....	BR52		(Set Components) .....	M88048/M88010
	(Set Components) .....	M88048/M88010		Bearing (Pilot) .....	R1535-TAV
	Bearing (Rear) .....	M802048/M802011	1974-1970	E300 From Ser. G90001:	
1995-1987	E250 & E350 w/Spicer 60 & 61 Axles:			Seal .....	18891
	Seal .....	18896		(Speedi-Sleeve) .....	99187
	(Speedi-Sleeve) .....	99187		Bearing (Front) .....	HM88542/HM88510
	Bearing (Front) .....	HM88542/HM88510		Bearing (Rear) .....	HM803146/HM803110
	Bearing (Rear) .....	HM803146/HM803110	1974-1969	E200 w/Ford Axle:	
1995-1987	E350 w/Spicer 70 Axle & 3.50" O.D. Rr. Brg.:			Seal .....	18833
	Seal .....	18896		(Speedi-Sleeve) .....	99181
	(Speedi-Sleeve) .....	99187		Bearing .....	[2] BR52
	Bearing (Front) .....	HM88542/HM88510		(Set Components) .....	M88048/M88010
	Bearing (Rear) .....	HM803149/HM803110		Bearing (Pilot) .....	R1535-TAV
1995-1987	E350 w/Spicer 70 Axle & 4.125" O.D. Rr. Brg.:		1970-1969	E300 Thru Ser. G90000:	
	Seal .....	18896		Seal .....	18888
	(Speedi-Sleeve) .....	99187		(Speedi-Sleeve) .....	99187
	Bearing (Front) .....	HM88542/HM88510		Bearing (Front) .....	HM88542/HM88510
	Bearing (Rear) .....	HM807040/HM807010		Bearing (Rear) .....	HM803146/HM803110
1995-1990	E(Super Duty) w/11.75" Ring Gear & Full-Floating Axle:		1969-1961	E100 w/Ford WCC Axle & 7.00" Ring Gear:	
	Seal .....	29528		Seal .....	16545
	Bearing (Front) .....	HM807046/HM807010		(Speedi-Sleeve) .....	99165
	Bearing (Rear) .....	M802048/M802011		Bearing (Front) .....	M86649/M86610
1987-1984	E100 & E150 w/9.00" Ring Gear:			Bearing (Rear) .....	HM88649/HM88610
	Seal .....	18136	1969-1961	E100 w/Ford WCC Axle & 7.25" Ring Gear:	
	(Speedi-Sleeve) .....	99181		Seal .....	16545
	Bearing .....	[2] BR52		(Speedi-Sleeve) .....	99165
	(Set Components) .....	M88048/M88010		Bearing (Front) .....	M86649/M86610
	Bearing (Pilot) .....	R1535-TAV		Bearing (Rear) .....	HM89446/HM89410
1986-1980	E350 w/Spicer 70 Axle & 3.50" O.D. Rr. Brg.:		<b>Differential</b>		
	Seal .....	18891	1995-1983	E150 w/8.80" Ring Gear & Ford Axle:	
	(Speedi-Sleeve) .....	99187		Bearing .....	[2] BR36
	Bearing (Front) .....	HM88542/HM88510		(Set Components) .....	LM603049/LM603012
	Bearing (Rear) .....	HM803149/HM803110	1995-1983	E350 w/9.75" Ring Gear, Spicer 60-1, Full-Floating & Locking Axle:	
1986-1980	E350 w/Spicer 70 Axle & 4.125" O.D. Rr. Brg.:			Bearing .....	[2] BR36
	Seal .....	18891		(Set Components) .....	LM603049/LM603012
	(Speedi-Sleeve) .....	99187	1995-1975	E250 w/Spicer 60-1, 60-3, 61-1 & 61-2 Axles:	
	Bearing (Front) .....	HM88542/HM88510		Bearing .....	[2] 387-A/382-S
	Bearing (Rear) .....	HM807040/HM807010			(Continued)

## Passenger cars, light & medium trucks

### Ford Truck Full size vans, Econoline, 1/2 ton van, E100, E150, 3/4 ton van, E200, E250, 1 ton van, E300, E350, E450, E550, E(Super Duty) -- (Cont.)

MFG./YEAR	MODEL & LOCATION	PART NO.	MFG./YEAR	MODEL & LOCATION	PART NO.
<b>Differential (Cont.)</b>			<b>Transmission-Automatic (Cont.)</b>		
1995-1969	E300 & E350 w/9.75" Ring Gear:		<b>Front Pump (Cont.)</b>		
	Bearing .....	387-A/382-S	1995-1964	w/o E40D & AODE-W Trans.:	
1992-1983	E250 w/Ford Axle:			Seal .....	19807
	Bearing .....	[2] BR36		(Speedi-Sleeve) .....	99199
	(Set Components) .....	LM603049/LM603012		(Speedi-Sleeve/Seal Kit) .....	480198
1987-1973	E100 & E150 w/9.00" Ring Gear:		<b>Rear</b>		
	Bearing .....	[2] BR50	1995	4R70W Trans. From 9/26/94:	
	(Set Components) .....	LM102949/LM102910		Seal (w/Long Boot) .....	15977
1974-1970	E200 From Ser. J30001:			Seal (w/Short Boot) .....	15966
	Bearing .....	[2] BR50	1995-1980	C6 & E40D Trans.:	
	(Set Components) .....	LM102949/LM102910		Seal .....	16725
1972-1970	E100 From Ser. J30001 w/o WCC Axle:			(Speedi-Sleeve) .....	99168
	Bearing (2.8910" O.D.) .....	[2] BR50		(Speedi-Sleeve/Seal Kit) .....	480168
	(Set Components) .....	LM102949/LM102910	1995-1994	AODE-W & 4R70W Trans. Thru 9/24/94:	
	Bearing (3.0625" O.D.) .....	[2] BR37		Seal (w/Long Boot) .....	15977
	(Set Components) .....	LM603049/LM603011		Seal (w/Short Boot) .....	15966
1970-1969	E200 Thru Ser. J30000:		1993-1983	AOT Trans.:	
	Bearing .....	[2] BR35		Seal .....	14978
	(Set Components) .....	LM501349/LM501310		(Speedi-Sleeve) .....	99149
1970-1963	E100 Thru Ser. J30000 w/o WCC Axle:			(Speedi-Sleeve/Seal Kit) .....	480148
	Bearing (2.8910" O.D.) .....	[2] BR35	1979-1975	E100 & E150 w/C6 Trans. & 300, 302 & 351	
	(Set Components) .....	LM501349/LM501310		Engs.:	
	Bearing (3.0625" O.D.) .....	[2] BR37		Seal .....	21213
	(Set Components) .....	LM603049/LM603011		(Speedi-Sleeve) .....	99212
1969-1961	E100 w/WCC Axle:		1977-1964	C4 Trans. w/o 3.13" Seal O.D. & Boot:	
	Bearing .....	[2] LM29749/LM29710		Seal .....	15005
				(Speedi-Sleeve) .....	99149
				(Speedi-Sleeve/Seal Kit) .....	480152
				Bearing .....	■ 6207-NRJ
			1977-1964	C4 Trans. w/Boot w/o 3.13" Seal O.D.:	
				Seal .....	14978
				(Speedi-Sleeve) .....	99149
				(Speedi-Sleeve/Seal Kit) .....	480148
				Bearing .....	■ 6207-NRJ
			1972-1964	C4 Trans. w/3.13" Seal O.D.:	
				Seal .....	17038
				(Speedi-Sleeve) .....	99168
				Bearing .....	■ 6207-NRJ
			1963-1961	Transmatic Trans.:	
				Seal .....	25661
				(Speedi-Sleeve) .....	99256
			<b>Shift Shaft</b>		
			1995-1964	All:	
				Seal .....	7556
				(Speedi-Sleeve) .....	99076
			<b>Transmission-Manual</b>		
			<b>Countershaft</b>		
			1992-1988	5 Spd. ZF Trans.:	
				Bearing .....	[2] BR2580/BR2520
			1988-1978	4 Spd. O/D Ford Trans.:	
				Bearing .....	[42] QAR33724
			1988-1961	3 Spd. Ford Trans.:	
				Bearing .....	[50] C1086-Q
			1987-1984	E350 w/4 Spd. New Process 435 Trans.:	
				Bearing (Front) .....	M24161-X1
				Bearing (Rear) .....	B3216
				Bearing (Thrust) .....	FA35688
					(Continued)
<b>Clutch</b>					
<b>Pilot</b>					
1990-1973	All:				
	Bearing .....	N3058			
<b>Release</b>					
1992-1990	5 Spd. ZF Trans.:				
	Bearing Assembly .....	N4062			
1989-1988	All:				
	Bearing Assembly .....	N4061			
1987-1983	All:				
	Bearing Assembly .....	N1714			
	(Self-Aligning) .....	N1714-SA			
1982-1973	All:				
	Bearing Assembly .....	N1439			
1972-1966	w/o 170 Eng.:				
	Bearing Assembly .....	N1444			
	(Self-Aligning) .....	N1444-SA			
	(Heavy Duty) .....	N1439			
1970-1961	144 & 170 Engs.:				
	Bearing Only .....	N1054			
	Bearing Assembly .....	N1461			
1965	240 Eng.:				
	Bearing Only .....	N1181			
	Bearing Assembly .....	N1439			
<b>Transmission-Automatic</b>					
<b>Front Pump</b>					
1995-1994	AODE-W, 4R70W & 4R75W Trans.:				
	Seal .....	19799			
	(Reorder:) .....	+20031			
	(Speedi-Sleeve) .....	99196			
1995-1989	E40D Trans.:				
	Seal .....	19966			



# Passenger cars, light & medium trucks

(Cont.) -- Ford Truck Full size vans, Econoline, 1/2 ton van, E100, E150, 3/4 ton van, E200, E250, 1 ton van, E300, E350, E450, E550, E(Super Duty)

MFG./YEAR	MODEL & LOCATION	PART NO.	MFG./YEAR	MODEL & LOCATION	PART NO.
<b>Transmission-Manual (Cont.)</b>			<b>Transmission-Manual (Cont.)</b>		
<b>Fifth Speed Gear</b>			<b>Rear</b>		
1988	E350 w/5 Spd. ZF Trans.:		1992-1988	E350 w/5 Spd. ZF Trans.:	
	Bearing .....	F209031		Seal .....	19601
<b>First Speed Gear</b>				(Speedi-Sleeve) .....	99196
1988	E350 w/5 Spd. ZF Trans.:			Bearing .....	J28573/BR28521
	Bearing .....	F206756	<b>1992-1988 5 Spd. Toyo Kogyo Trans.:</b>		
<b>Front</b>				Seal .....	13624
1992-1988	E350 w/5 Spd. ZF Trans.:			(Speedi-Sleeve) .....	99139
	Seal .....	13946		Bearing (Center) .....	BR69
	(Speedi-Sleeve) .....	99139		Bearing (Rear) .....	6208-VSP37
	Bearing .....	BR28580/BR28521	<b>1990-1985 4 Spd. O/D Ford Trans. From 11/18/84:</b>		
1990-1988	5 Spd. Toyo Kogyo Trans.:			Seal .....	14978
	Seal .....	11612		(Speedi-Sleeve) .....	99149
	(Speedi-Sleeve) .....	99138		(Speedi-Sleeve/Seal Kit) .....	480148
	Bearing .....	BR55		Bearing .....	■ 6308-NJ
1990-1985	4 Spd. O/D Ford Trans. From 11/18/84:		<b>1990-1973 3 Spd. Ford Trans.:</b>		
	Seal .....	11111		Seal .....	14978
	(Speedi-Sleeve) .....	99112		(Speedi-Sleeve) .....	99149
	Bearing .....	■ 6308-NJ		(Speedi-Sleeve/Seal Kit) .....	480148
1990-1980	3 Spd. Ford Trans.:			Bearing .....	■ 6207-NRJ
	Seal .....	11111	<b>1987-1984 E350 w/4 Spd. New Process 435 Trans.:</b>		
	(Speedi-Sleeve) .....	99112		Seal .....	21211
	Bearing .....	■ 6208-NRJ		(Speedi-Sleeve) .....	99212
1987-1984	E350 w/4 Spd. New Process 435 Trans.:			Bearing .....	308-NRJ
	Seal .....	13557	<b>1985-1978 4 Spd. O/D Ford Trans. Thru 11/17/84:</b>		
	(Speedi-Sleeve) .....	99138		Seal .....	14978
	Bearing .....	HM88649/HM88610		(Speedi-Sleeve) .....	99149
1985-1980	4 Spd. O/D Ford Trans. Thru 11/17/84:			(Speedi-Sleeve/Seal Kit) .....	480148
	Seal .....	11111		Bearing .....	6308-VSP65
	(Speedi-Sleeve) .....	99112	<b>1972-1968 3 Spd. Ford Trans.:</b>		
	Bearing .....	6308-VSP65		Seal .....	15005
1979-1978	4 Spd. O/D Ford Trans.:			(Speedi-Sleeve) .....	99149
	Seal .....	11123		(Speedi-Sleeve/Seal Kit) .....	480152
	(Speedi-Sleeve) .....	99112		Bearing .....	■ 6207-NRJ
	Bearing .....	6308-VSP65	<b>1967-1963 3 Spd. Ford Trans.:</b>		
1979-1964	3 Spd. Ford Trans.:			Seal .....	16871
	Seal .....	11123		(Speedi-Sleeve) .....	99168
	(Speedi-Sleeve) .....	99112		Bearing .....	■ 6207-NRJ
	Bearing .....	■ 6208-NRJ	<b>1964-1963 E100 w/4 Spd. Dagenham Trans.:</b>		
1963	3 Spd. Ford Trans.:			Seal .....	16871
	Seal .....	10515		(Speedi-Sleeve) .....	99168
	(Speedi-Sleeve) .....	99106	<b>1962-1961 3 Spd. Ford Trans.:</b>		
	Bearing .....	■ 6208-NRJ		Seal .....	13676
1962-1961	3 Spd. Ford Trans.:			(Speedi-Sleeve) .....	99138
	Seal .....	10515		Bearing .....	■ 6207-NRJ
	(Speedi-Sleeve) .....	99106	<b>Reverse Gear</b>		
	Bearing .....	■ 6207-NRJ	1988	E350 w/5 Spd. ZF Trans.:	
<b>Mainshaft Pilot</b>				Bearing .....	F206756
1992-1988	E350 w/5 Spd. ZF Trans.:		<b>Reverse Idler</b>		
	Bearing .....	J28573/BR28521	1992-1988	E350 w/5 Spd. ZF Trans.:	
1990-1961	3 & 4 Spd. Ford Trans.:			Bearing .....	F597071
	Bearing .....	[15] QBR23549	1990-1978	4 Spd. O/D Ford Trans.:	
1987-1984	E350 w/4 Spd. New Process 435 Trans.:			Bearing .....	C407-Q
	Bearing .....	[14] Q15902	<b>Second Speed Gear</b>		
	Bearing (Thrust) .....	FA35688	1988	E350 w/5 Spd. ZF Trans.:	
				Bearing .....	F206755
			<b>Third Speed Gear</b>		
			1988	E350 w/5 Spd. ZF Trans.:	
				Bearing .....	F206755

(Continued)

**Ford Truck Full size vans, Econoline, 1/2 ton van, E100, E150, 3/4 ton van, E200, E250, 1 ton van, E300, E350, E450, E550, E(Super Duty) -- (Cont.)**

MFG./YEAR	MODEL & LOCATION	PART NO.	MFG./YEAR	MODEL & LOCATION	PART NO.
<b>Air Conditioning Compressor</b>			<b>Engine (Cont.)</b>		
1995-1989	FX-15 Comp.:		<b>Crankshaft-Rear (Cont.)</b>		
	Bearing	5106-WCC	1986-1975	460 (7.5L) Eng. Thru 7/1/86:	
1974-1969	302 Eng.:			Seal (Rope)	196
	Bearing	5106-WCC		Seal (Rubber)	201
<b>Alternator</b>			1985-1967	240 (3.9L) & 300 (4.9L) Eng.:	
1994-1990	165 Amp.:			Seal	37340
	Bearing (Front)	6304-2RSJ		(Speedi-Sleeve)	99372
	Bearing (Rear)	BA608	1983-1975	351 M & W (5.8L) & 400 (6.6L) Eng. Thru 7/10/83:	
1993-1992	95 Amp.:			Seal (Rope)	196
	Bearing (Front)	6303-2RSJ		Seal (Rubber)	211
	Bearing (Rear)	AB4	1983-1969	255 (4.2L) & 302 (5.0L) Eng. Thru 11/82:	
1992-1964	w/o 90 & 165 Amp.:			Seal (Rope)	196
	Bearing (Front)	6203-2RSJ		Seal (Rubber)	205
	Bearing (Rear)	MNJ471-S	1970-1961	144 (2.4L) & 170 (2.8L) Eng.:	
1979-1976	90 Amp.:			Seal (Rope)	196
	Bearing (Front)	6203-2RSJ		Seal (Rubber)	204
<b>Drive Shaft</b>			<b>Accessory Drive Belt Idler</b>		
1995-1991	E350:		1995-1988	4.6L, 5.4L, 6.8L & 7.3L Eng.:	
	Bearing Only	BR88107		Bearing (Pulley)	VKM900007
	Bearing & Support	HB88107-A	<b>Timing Cover</b>		
1990-1980	All:		1995	446 (7.3L) Diesel Eng.:	
	Bearing Only	BR88107		Seal	24984
	Bearing & Support	HB88107-A		(Speedi-Sleeve)	99250
1979-1973	w/o 460 (7.5L) Eng.:		1995-1985	300 (4.9L) & 460 (7.5L) Eng. From 5/14/85:	
	Bearing Only	BR88107		Seal (Viton)	18544
	Bearing & Support	HB88107-A		Seal	18548
1976-1975	460 (7.5L) Eng.:			(Speedi-Sleeve)	99187
	Bearing & Support	HB88508-A		(Speedi-Sleeve/Seal Kit)	480185
<b>Engine</b>			1995-1979	302 (5.0L), 351 M & W (5.8L) & 400 (6.6L) Eng.:	
<b>Crankshaft-Rear</b>				Seal (Viton)	18544
1995	446 (7.3L) Diesel Eng.:			Seal	18548
	Seal	43767		(Speedi-Sleeve)	99187
1995-1992	300 (4.9L) Eng. From 5/29/92:			(Speedi-Sleeve/Seal Kit)	480185
	Seal	37338	1994-1983	420 (6.9L) & 446 (7.3L) Diesel Eng.:	
1995-1992	351 (5.8L) Eng. From 5/29/92:			Seal	24984
	Seal	37341		(Speedi-Sleeve)	99250
	(Speedi-Sleeve)	99372	1985-1973	240 (3.9L), 300 (4.9L) & 460 (7.5L) Eng. Thru 5/14/85:	
1995-1987	302 (5.0L) Eng. From 2/16/87:			Seal (Viton)	18546
	Seal	36147		Seal	18562
	(Speedi-Sleeve)	99362		(Speedi-Sleeve)	99187
1995-1986	460 (7.5L) Eng. From 7/2/86:			(Speedi-Sleeve/Seal Kit)	480186
	Seal Kit	201	1978-1969	302 (5.0L) & 351 W (5.8L) Eng.:	
1994-1992	446 (7.3L) Diesel Eng. From 2/3/92:			Seal (Viton)	18546
	Seal (w/o O.E.M. Ring)	37405		Seal	18562
	(Speedi-Sleeve) (w/o O.E.M. Ring)	99372		(Speedi-Sleeve)	99187
	Seal (w/ O.E.M. Ring)	38649		(Speedi-Sleeve/Seal Kit)	480186
	(Speedi-Sleeve) (w/O.E.M. Ring)	99387	1972-1967	240 (3.9L) Eng.:	
1992-1988	446 (7.3L) Diesel Eng. w/ O.E.M. Ring Thru 2/3/92:			Seal (Viton)	18546
	Seal	38649		Seal	18562
	(Speedi-Sleeve)	99387		(Speedi-Sleeve)	99187
1992-1985	300 (4.9L) Eng. From 4/85 Thru 5/92:			(Speedi-Sleeve/Seal Kit)	480186
	Seal	37341	1970-1961	144 (2.4L) & 170 (2.8L) Eng.:	
	(Speedi-Sleeve)	99372		Seal	17271
1992-1983	420 (6.9L) w/o O.E.M. Ring:			(Speedi-Sleeve)	99174
	Seal	37405			(Continued)
	(Speedi-Sleeve)	99372			
1987-1983	302 (5.0L) Eng. From 12/82 Thru 2/15/87:				
	Seal	36147			
	(Speedi-Sleeve)	99362			

## Passenger cars, light & medium trucks

(Cont.) -- Ford Truck Full size vans, Econoline, 1/2 ton van, E100, E150, 3/4 ton van, E200, E250, 1 ton van, E300, E350, E450, E550, E(Super Duty)

MFG./YEAR	MODEL & LOCATION	PART NO.	MFG./YEAR	MODEL & LOCATION	PART NO.
<b>Generator</b>			<b>Steering-Power (Cont.)</b>		
1964-1961	144 (2.4L) & 170 (2.8L) Engs.:		<b>Worm Shaft (Cont.)</b>		
	Bearing (Front) .....	6203-2RSJ	1978-1975 All:		
	Bearing (Rear) .....	6200-2RSJ	Seal .....		8648
<b>Steering-Power</b>			<b>Steering-Standard</b>		
<b>Pitman Shaft</b>			<b>Pitman Shaft</b>		
1982-1975	Saginaw Gear Thru 1/82:		1992-1983	From 3/83:	
	Seal (Inner) .....	12371	Seal .....		12695
	Seal (Outer) .....	12355	1983-1975	Thru 2/83:	
	Seal Kit .....	12392	Seal .....		11055
	Bearing .....	BH1250	1974-1961 All:		
<b>Pump Shaft</b>			Seal .....		11081
1995-1994	All:		Bearing .....		B1816
	Seal .....	6765	<b>Worm Shaft</b>		
1993-1992	Diesel Eng.:		1993-1983	From 3/83:	
	Seal .....	6765	Seal .....		◇7210
1993-1975	w/o Diesel Eng.:		(Superseded by:)		7473
	Seal .....	7475			
1974-1971	All:				
	Seal .....	6765			
<b>Worm Shaft</b>					
1995-1994	Ford Gear From 4/94:				
	Bearing .....	FC65753			
1994-1982	Ford Gear From 2/82 Thru 4/94:				
	Seal .....	8178			
	Bearing .....	FC65753			

## Ford Truck 1/2 ton, F100, F150, P100, F1 series

<b>Wheel Front (2 W/D)</b>			<b>Wheel Front (2 W/D) (Cont.)</b>		
1995-1973	All:		1963-1957	P100:	
	Seal .....	19743	Seal .....		18055
	Bearing (Inner) .....	BR13	Bearing (Inner) .....		BR5
	(Set Components) .....	L68149/L68110	(Set Components) .....		LM48548/LM48510
	Bearing (Outer) .....	BR12	Bearing (Outer) .....		BR2
	(Set Components) .....	LM12749/LM12710	(Set Components) .....		LM11949/LM11910
1972-1968	F100:		1956-1948	F100:	
	Seal .....	19763	Seal .....		17599
	Bearing (Inner) .....	BR5	Bearing (Inner) .....		BR14130/BR14276
	(Set Components) .....	LM48548/LM48510	Bearing (Outer) .....		BR09067/BR09195
	Bearing (Outer) .....	BR3			
	(Set Components) .....	M12649/M12610			
1967-1965	F100:		<b>Wheel Front (4 W/D)</b>		
	Seal .....	19763	1995	From 5/1/95:	
	Bearing (Inner) .....	BR5	Seal .....		23276
	(Set Components) .....	LM48548/LM48510	Seal (w/Boot) .....		25009
	Bearing (Outer) .....	BR2	Seal Kit .....		25050
	(Set Components) .....	LM11949/LM11910	Bearing (Inner) .....		BR37
1967-1964	P100:		(Set Components) .....		LM603049/LM603011
	Seal .....	18055	Bearing (Outer) .....		BR35
	Bearing (Inner) .....	BR5	(Set Components) .....		LM501349/LM501310
	(Set Components) .....	LM48548/LM48510	1995-1990	Thru 5/1/95:	
	Bearing (Outer) .....	BR3	Seal .....		24917
	(Set Components) .....	M12649/M12610	Bearing (Inner) .....		BR37
1964-1957	F100:		(Set Components) .....		LM603049/LM603011
	Seal .....	18055	Bearing (Outer) .....		BR35
	Bearing (Inner) .....	BR5	(Set Components) .....		LM501349/LM501310
	(Set Components) .....	LM48548/LM48510			(Continued)
	Bearing (Outer) .....	BR2			
	(Set Components) .....	LM11949/LM11910			

Ford Truck 1/2 ton, F100, F150, P100, F1 series -- (Cont.)

MFG./YEAR	MODEL & LOCATION	PART NO.	MFG./YEAR	MODEL & LOCATION	PART NO.
<b>Wheel Front (4 W/D) (Cont.)</b>			<b>Wheel Front (4 W/D) (Cont.)</b>		
1989-1988	Spicer 44 Axle w/Man. Locking Hubs w/o 3.54 Ratio w/H.D. Frt. End From 5/88:		<b>Spindle Hub</b>		
	Seal .....	24917	1995-1993	All:	
	Bearing (Inner) .....	BR37		Seal (Inner) .....	18844
	(Set Components) .....	LM603049/LM603011		Seal (Outer) .....	13144
	Bearing (Outer) .....	BR35		Bearing .....	B2110
	(Set Components) .....	LM501349/LM501310	1992-1977	All:	
1989-1988	Spicer 44 Axle w/Man. Locking Hubs, 3.54 Ratio & H.D. Frt. End From 5/88:			Seal (Inner) .....	22311
	Seal .....	26747		Seal (Outer) .....	711818
	Bearing (Inner) .....	BR38		Bearing .....	B2110
	(Set Components) .....	LM104949/LM104911		Seal & Bearing Kit .....	BK1
	Bearing (Outer) .....	BR35	1976-1968	All:	
	(Set Components) .....	LM501349/LM501310		Seal (Inner) .....	22311
1989-1987	Auto. Locking Hubs:			Seal (Outer) .....	19992
	Seal .....	24917		Bearing .....	B2110
	Bearing (Inner) .....	BR37	<b>Steering Knuckle</b>		
	(Set Components) .....	LM603049/LM603011	1972-1966	All:	
	Bearing (Outer) .....	BR35		Seal .....	10035
	(Set Components) .....	LM501349/LM501310		Bearing .....	[4] BR11590/BR11520
1988-1987	Spicer 44 Axle w/Man. Locking Hubs Thru 5/88:		1965-1959	All:	
	Seal .....	26747		Bearing .....	[4] BR11590/BR11520
	Bearing .....	[2] BR38	<b>Wheel Rear</b>		
	(Set Components) .....	LM104949/LM104911	1995-1992	9.75" Ring Gear:	
1986-1969	F100 & F150 From Ser. F70001:			Seal .....	17327
	Seal .....	24917		Bearing .....	R1561-TV
	Bearing (Inner) .....	BR37		(Axle Repair Brg. Assy.) .....	• R1561-F
	(Set Components) .....	LM603049/LM603011	1995-1990	8.80" Ring Gear:	
	Bearing (Outer) .....	BR35		Seal .....	◇16044
	(Set Components) .....	LM501349/LM501310		(Superseded by:)	16404
1969-1966	F100 Thru Ser. F70000:			Bearing .....	R1559-TV
	Seal .....	19360		(Axle Repair Brg. Assy.) .....	• R1559
	Bearing (Inner) .....	BR37	1989-1980	F100 & F150 w/3750 lb. Axle w/o 9.00" Ring Gear:	
	(Set Components) .....	LM603049/LM603011		Seal .....	18881
	Bearing (Outer) .....	BR35		Bearing w/Lock Ring .....	88128-RA
	(Set Components) .....	LM501349/LM501310	1986-1980	F100 & F150 w/3750 lb. Axle & 9.00" Ring Gear:	
1965-1959	F100:			Seal .....	18881
	Seal .....	24904		Bearing .....	BR20
	Bearing (Inner) .....	BR37	1982-1980	F100 w/2800 lb. Axle:	
	(Set Components) .....	LM603049/LM603011		Seal .....	15142
	Bearing (Outer) .....	BR35		Bearing w/Lock Ring .....	88128-RA
	(Set Components) .....	LM501349/LM501310	1979-1975	Spicer 44 & 60 Axles From Ser. A25000:	
<b>Axle Shaft</b>				Seal (Inner) .....	15142
1995-1983	All:			Seal (Outer 2.475" O.D.) .....	18545
	Seal (L.H.) .....	12925		Seal (Outer 2.893" O.D.) .....	18731
	Seal (R.H.) .....	14247		Bearing .....	BR10
	Bearing .....	R1563-TAV	1979-1974	3300 lb. Ford Axle w/Roller Brg.:	
	(Axle Repair Brg. Assy.) .....	• R1563		Seal .....	18881
1982-1980	All:			Bearing .....	BR20
	Seal (L.H.) .....	12925	1979-1968	3600 lb. & 3750 lb. Ford Axles:	
	Seal (R.H.) .....	16735		Seal .....	15960
1979	Regular Cab:			Bearing .....	R1580-TV
	Seal .....	13246	1979-1957	3300 lb. Ford Axle w/o Roller Brg.:	
1978	All:			Seal .....	15142
	Seal .....	13246		Sealed Bearing w/Lock Ring .....	88128-R
1977-1972	From Ser. M30001:		1975-1964	Spicer 44 & 60 Axles Thru Ser. A24999:	
	Seal .....	13165		Seal (Inner) .....	15142
1972-1966	Thru Ser. M30000:			Seal (Outer 2.475" O.D.) .....	18545
	Seal .....	13568		Seal (Outer 2.893" O.D.) .....	18731
1965-1959	All:			Bearing .....	BR7
	Seal .....	13165		(Set Components) .....	M201047-S/M201011
					(Continued)

# Passenger cars, light & medium trucks

## (Cont.) -- Ford Truck 1/2 ton, F100, F150, P100, F1 series

MFG./YEAR	MODEL & LOCATION	PART NO.	MFG./YEAR	MODEL & LOCATION	PART NO.
<b>Wheel Rear (Cont.)</b>			<b>Pinion (Cont.)</b>		
<b>1967-1948 w/o Spicer Axle:</b>			<b>Rear Axle (Cont.)</b>		
	Seal .....	15142	<b>1972-1968 3300 &amp; 3600 lb. WEY Axles:</b>		
	Sealed Bearing w/Lock Ring .....	88128-R		Seal .....	18833
<b>1963-1948 Spicer 44 &amp; 60 Axles:</b>				(Speedi-Sleeve) .....	99181
	Seal (Inner) .....	15142		Bearing (Front) .....	BR52
	Seal (Outer) .....	18545		(Set Components) .....	M88048/M88010
	Sealed Bearing w/Lock Ring .....	88128-R		Bearing (Rear) .....	HM89444/HM89410
<b>Pinion</b>			<b>1972-1964 3300 &amp; 3600 lb. WFF Axles:</b>		
<b>Front Axle</b>				Seal .....	18833
<b>1995-1993 All:</b>				(Speedi-Sleeve) .....	99181
	Seal .....	15788		Bearing (Front) .....	BR52
	(Speedi-Sleeve) .....	99155		(Set Components) .....	M88048/M88010
	Bearing (Front) .....	HM88649/HM88610		Bearing (Rear) .....	HM89443/HM89410
	Bearing (Rear) .....	BR02872/BR02820	<b>1972-1957 3300 &amp; 3600 lb. Axles Exc. WEY &amp; WFF Axles:</b>		
<b>1992-1959 All:</b>				Seal .....	18833
	Seal .....	15788		(Speedi-Sleeve) .....	99181
	(Speedi-Sleeve) .....	99155		Bearing .....	[2] BR52
	Bearing (Front) .....	BR31594/BR31520		(Set Components) .....	M88048/M88010
	Bearing (Rear) .....	BR02872/BR02820		Bearing (Pilot) .....	R1535-TAV
<b>Rear Axle</b>			<b>1969-1964 Spicer 60 Series Axles:</b>		
<b>1995-1983 8.80" Ring Gear:</b>				Seal .....	18888
	Seal .....	18136		(Speedi-Sleeve) .....	99187
	(Speedi-Sleeve) .....	99181		Bearing (Front) .....	HM88542/HM88510
	Bearing (Front) .....	M802048/M802011		Bearing (Rear) .....	HM803146/HM803110
	Bearing (Rear) .....	BR52	<b>1967-1961 P100:</b>		
	(Set Components) .....	M88048/M88010		Seal .....	18833
<b>1986-1984 2800 &amp; 3750 lb. Axles w/9.00" Ring Gear:</b>				(Speedi-Sleeve) .....	99181
	Seal .....	18136		Bearing .....	[2] BR52
	(Speedi-Sleeve) .....	99181		(Set Components) .....	M88048/M88010
	Bearing .....	[2] BR52		Bearing (Pilot) .....	R1535-TAV
	(Set Components) .....	M88048/M88010	<b>1956-1948 All:</b>		
	Bearing (Pilot) .....	R1535-TAV		Seal .....	15788
<b>1983-1980 2800 &amp; 3750 lb. Axles w/9.00" Ring Gear:</b>				(Speedi-Sleeve) .....	99155
	Seal .....	18833		Bearing (Front) .....	BR02872/BR02820
	(Speedi-Sleeve) .....	99181		Bearing (Rear) .....	BR31594/BR31520
	Bearing .....	[2] BR52	<b>Differential</b>		
	(Set Components) .....	M88048/M88010	<b>Kit</b>		
	Bearing (Pilot) .....	R1535-TAV	<b>1995-1983 8.80 " Ring Gear:</b>		
<b>1979-1973 WDM &amp; WFE 3300 &amp; 3750 lb. Axles Exc.</b>				Standard Seal and Bearing Kit Rear .....	SDK311
<b>WFE-F, G, H, J, K, L &amp; S; WDM-AM &amp; AN:</b>				Master Seal and Bearing Kit Rear .....	SDK311-MK
	Seal .....	18833	<b>1992-1967 Dana 44 With 3.000 " OD Pinion Head Cup</b>		
	(Speedi-Sleeve) .....	99181	<b>Axle:</b>		
	Bearing .....	[2] BR52		Standard Seal and Bearing Kit Front .....	SDK339-B
	(Set Components) .....	M88048/M88010	<b>1986-1970 9.00 " 31 spline STSP 5/11/1970 Ring Gear:</b>		
	Bearing (Pilot) .....	R1535-TAV		Standard Seal and Bearing Kit Rear .....	SDK313
<b>1979-1959 2900, 3300 &amp; 3750 lb. Spicer 44 Axles:</b>			<b>1979-1967 Dana 44 Axle:</b>		
	Seal .....	15788		Standard Seal and Bearing Kit Rear .....	SDK339-B
	(Speedi-Sleeve) .....	99155	<b>1970-1960 9.00 " 28 spline ENSP 5/10/70 Ring Gear:</b>		
	Bearing (Front) .....	BR02872/BR02820		Standard Seal and Bearing Kit Rear .....	SDK312
	Bearing (Rear) .....	BR31594/BR31520	<b>Front Axle</b>		
<b>1976-1973 3300 &amp; 3750 lb. WDM-AM &amp; AN Axles; WFE-F, G, H, J, K, L &amp; S Axles:</b>			<b>1995-1986 All:</b>		
	Seal .....	18833		Bearing (Inner) .....	[2] BR25590/BR25523
	(Speedi-Sleeve) .....	99181		Bearing (Outer) .....	BR9
	Bearing (Front) .....	BR52	<b>1985-1983 All:</b>		
	(Set Components) .....	M88048/M88010		Bearing (Inner) .....	[2] BR25590/BR25523
	Bearing (Pilot) .....	R1535-TAV		Bearing (Outer) .....	R1563-TAV
	Bearing (Rear) .....	HM89443/HM89410		(Axle Repair Brg. Assy.) .....	• R1563
			<b>1982-1980 All:</b>		
				Bearing (Inner) .....	[2] BR25590/BR25523
				Bearing (Outer) .....	BR9
			(Continued)		

Ford Truck 1/2 ton, F100, F150, P100, F1 series -- (Cont.)

MFG./YEAR	MODEL & LOCATION	PART NO.	MFG./YEAR	MODEL & LOCATION	PART NO.
<b>Differential (Cont.)</b>			<b>Clutch (Cont.)</b>		
<b>Front Axle (Cont.)</b>			<b>Release (Cont.)</b>		
1979-1967	All:		1965	240 & 300 Engs.:	
	Bearing .....	[2] BR25590/BR25523		Bearing Only .....	N1181
1966-1959	All:		1964	223 & 262 Engs.:	
	Bearing .....	[2] BR25577/BR25523		Bearing Only .....	N1087
<b>Rear Axle</b>			1964	292 Eng.:	
1995-1983	8.80" Ring Gear:			Bearing Only .....	N1181
	Bearing .....	[2] BR36	1963	Diesel Eng.:	
	(Set Components) .....	LM603049/LM603012		Bearing Only .....	N1611
1986-1970	Ford Axles From Ser. J30001 Exc. WEY & WFF Axles:		1963-1957	w/o Diesel Eng.:	
	Bearing .....	[2] BR50		Bearing Only .....	N1613
	(Set Components) .....	LM102949/LM102910	1956-1953	All:	
1979-1969	Spicer 44.3 Axle:			Bearing Only .....	N1087
	Bearing .....	[2] BR25590/BR25523		Bearing Assembly .....	N1425
1972-1964	Ford WEY & WFF Axles:		<b>Transfer Case</b>		
	Bearing .....	[2] BR25590/BR25520	<b>Kit</b>		
1970-1961	Ford Axles Thru Ser. J30000 Exc. WEY & WFF Axles:		1995-1992	1356 Electric Shift:	
	Bearing (2.8910" O.D.) .....	[2] BR35		Transfer Case Kit .....	STCK1356
	(Set Components) .....	LM501349/LM501310	1995-1987	1356 Manual Shift:	
	Bearing (3.0625" O.D.) .....	[2] BR37		Transfer Case Kit .....	STCK1356
	(Set Components) .....	LM603049/LM603011	1992-1982	1345:	
1969-1964	Spicer 60 Series Axles:			Transfer Case Kit .....	STCK1345
	Bearing .....	[2] 387-A/382-S	1989-1975	205 Direct Mount:	
1969-1960	Spicer 44.1 Axle:			Transfer Case Kit .....	STCK205-F
	Bearing .....	[2] BR25577/BR25523	1977-1973	205 Remote Mount:	
1959-1957	All:			Transfer Case Kit .....	STCK205-FA
	Bearing .....	[2] BR37	<b>Front Output Shaft</b>		
	(Set Components) .....	LM603049/LM603011	1995-1987	Warner 1356:	
<b>Clutch</b>				Seal .....	18771
<b>Pilot</b>				(Speedi-Sleeve) .....	99187
1995-1978	From Ser. BC5001:			Bearing (Front) .....	6207-J
	Bearing .....	N3058		Bearing (Rear) .....	B2012
1978-1973	Thru Ser. BC5001 w/o 360 & 390 Engs.:		1992-1982	Warner 1345:	
	Bearing .....	B50-J		Seal .....	18687
1976-1966	352, 360 & 390 Engs.:			Bearing (Front) .....	6207-J
	Bearing (Bushing) .....	B50-HD		Bearing (Rear) .....	B2012
1972-1970	F100 w/302 Eng.:		1986-1980	New Process 208:	
	Bearing .....	6203-ZJ		Seal .....	18687
1972-1965	240 & 300 Engs.:			Bearing (Rear) .....	M24161-X1
	Bearing .....	6206-2RSJ		Bearing (Thrust) .....	NTA2840
1967-1961	P100:		1979	New Process 203:	
	Bearing .....	6203-ZJ		Seal .....	21203
1963-1957	F100 w/223, 262, 272 & 292 Engs.:			(Speedi-Sleeve) .....	99212
	Bearing .....	6203-ZJ		Bearing (Front) .....	6307-NRJ
				Bearing (Rear) .....	M28161
<b>Release</b>				Bearing (Gear) .....	[64] QBR23549
1995-1993	5 Spd. Trans.:		1978-1977	New Process 203:	
	Bearing Assembly .....	N4119		Seal (1.552" I.D.) .....	15450
1993-1988	4 Spd. Trans.:			(Speedi-Sleeve) (1.552" I.D.) .....	99155
	Bearing Assembly .....	N1714-SA		Seal (1.875" I.D.) .....	18872
1992-1988	5 Spd. Trans.:			(Speedi-Sleeve) (1.875" I.D.) .....	99187
	Bearing Assembly .....	N4061		Bearing (Front) .....	6307-NRJ
1987-1983	w/o ZF Trans.:			Bearing (Rear) .....	M28161
	Bearing Assembly .....	N1714			(Continued)
	(Self-Aligning) .....	N1714-SA			
1982-1973	All:				
	Bearing Assembly .....	N1439			
1972-1966	All:				
	Bearing Assembly .....	N1444			
	(Self-Aligning) .....	N1444-SA			
	(Heavy Duty) .....	N1439			

# Passenger cars, light & medium trucks

## (Cont.) -- Ford Truck 1/2 ton, F100, F150, P100, F1 series

MFG./YEAR	MODEL & LOCATION	PART NO.	MFG./YEAR	MODEL & LOCATION	PART NO.
<b>Transfer Case (Cont.)</b>			<b>Transfer Case (Cont.)</b>		
<b>Front Output Shaft (Cont.)</b>			<b>Oil Pump</b>		
<b>1978-1973 New Process 205:</b>			<b>1986-1980 New Process 208:</b>		
Seal		21211	Seal		22306
(Speedi-Sleeve)		99212	(Speedi-Sleeve)		99225
Bearing (Front)		6307-NRJ	<b>Rear Output Shaft</b>		
Bearing (Rear)		M28161	<b>1995-1987 Warner 1356:</b>		
Bearing (Gear)	[64]	QBR23549	Seal		18687
<b>1976-1974 New Process 203:</b>			Bearing		6207-J
Seal		15450	<b>1992-1982 Warner 1345:</b>		
(Speedi-Sleeve)		99155	Seal		18771
Bearing (Front)		6307-NRJ	(Speedi-Sleeve)		99187
Bearing (Rear)		M28161	Bearing		6207-J
<b>1976-1966 Spicer 21:</b>			<b>1987-1984 New Process 208 w/Slip Yoke:</b>		
Seal		15450	Seal		18992
(Speedi-Sleeve)		99155	Bearing		6207-NRJ
Bearing	[2]	BR14131/BR14276	<b>1987-1980 New Process 208 w/Conventional Yoke:</b>		
<b>1965-1959 Spicer 24:</b>			Seal		18992
Seal		21108	Bearing		6207-NRJ
(Speedi-Sleeve)		99212	<b>1979 New Process 203:</b>		
Bearing	[2]	6207-NRJ	Seal		21063
<b>Idler Shaft</b>			(Speedi-Sleeve)		99212
<b>1979-1974 New Process 203:</b>			Bearing (Inner)		B3616
Bearing	[72]	QAR29523	Bearing (Outer)		6307-NRJ
<b>1979-1973 New Process 205:</b>			Bearing (Pilot)	[15]	QAR29523
Bearing	[2]	BR2793/BR2720	<b>1979 New Process 205:</b>		
<b>1963-1959 Spicer 24:</b>			Seal		21203
Bearing	[2]	6207-NRJ	(Speedi-Sleeve)		99212
<b>Input Shaft</b>			Bearing (Inner)		B3216
<b>1995-1987 Warner 1356:</b>			Bearing (Outer)		6307-NRJ
Seal		18771	Bearing (Gear)	[64]	QBR23549
(Speedi-Sleeve)		99187	<b>1978-1974 New Process 203:</b>		
Bearing		6010-J	Seal		21061
<b>1992-1982 Warner 1345:</b>			(Speedi-Sleeve)		99212
Seal		17502	Bearing (Inner)		B3616
(Speedi-Sleeve)		99174	Bearing (Outer)		6307-NRJ
<b>1986-1980 New Process 208:</b>			Bearing (Pilot)	[15]	QAR29523
Seal		19255	<b>1978-1973 New Process 205:</b>		
(Speedi-Sleeve)		99193	Seal		21211
Bearing	[2]	B5020	(Speedi-Sleeve)		99212
Bearing (Thrust)		AXK5070	Bearing (Inner)		B3216
<b>1979-1974 New Process 203:</b>			Bearing (Outer)		6307-NRJ
Seal		19255	Bearing (Gear)	[64]	QBR23549
(Speedi-Sleeve)		99193	<b>1976-1966 Spicer 21:</b>		
Bearing	[2]	210-NRJ	Seal		15699
<b>1979-1973 New Process 205:</b>			(Speedi-Sleeve)		99156
Seal		19255	Bearing (Front)		BR25877/BR25821
(Speedi-Sleeve)		99193	Bearing (Rear)		M86649/M86610
Bearing	[2]	210-NRJ	<b>1965-1959 Spicer 24:</b>		
<b>1965-1959 Spicer 24:</b>			Seal		21108
Seal		21108	(Speedi-Sleeve)		99212
(Speedi-Sleeve)		99212	Bearing (Front)		6307-NRJ
Bearing		6307-NRJ	Bearing (Rear)		6207-NRJ
<b>Mainshaft Pilot</b>			<b>Shift Shaft</b>		
<b>1986-1980 New Process 208:</b>			<b>1979-1973 New Process 205:</b>		
Bearing		B2012	Seal		7443
Bearing (Thrust)		TC2435	(Speedi-Sleeve)		99076
<b>1979-1973 New Process 205:</b>			<b>1976-1966 Spicer 21:</b>		
Bearing	[15]	QAR29523	Seal		6203
			(Superseded by:)		6903
			(Speedi-Sleeve)		99062
			(Continued)		

Ford Truck 1/2 ton, F100, F150, P100, F1 series -- (Cont.)

MFG./YEAR	MODEL & LOCATION	PART NO.	MFG./YEAR	MODEL & LOCATION	PART NO.
<b>Transfer Case (Cont.)</b>			<b>Transmission-Automatic (Cont.)</b>		
<b>Shift Shaft (Cont.)</b>			<b>Rear (Cont.)</b>		
1965-1959 Spicer 24:			1976-1974 FMX Trans. w/302 Eng.:		
Seal		7440	Seal		16725
(Speedi-Sleeve)		99076	(Speedi-Sleeve)		99168
<b>Side Gear</b>			(Speedi-Sleeve/Seal Kit) 480168		
1990-1982 Warner 1345 & 1356:			<b>1972-1965 C4 Trans.:</b>		
Bearing		B2812	Seal		17038
1986-1980 New Process 208:			(Speedi-Sleeve)		99168
Bearing		[120] C1086-Q	<b>1967-1964 Cruise-O-Matic PAU-V &amp; PBY-P Trans.:</b>		
1979-1974 New Process 203:			Seal		21213
Bearing (Gear)		[123] C1086-Q	(Speedi-Sleeve)		99212
Bearing (Pinion)		[132] Q8113	Bearing		6307-NRJ
<b>Transmission-Automatic</b>			<b>1964-1959 Cruise-O-Matic Exc. PAU-V &amp; PBY-P Trans.:</b>		
<b>Front Pump</b>			Seal		14978
1995-1994 AODE-W, 4R75W & 4R70W Trans.:			(Speedi-Sleeve)		99149
Seal		19799	(Speedi-Sleeve/Seal Kit)		480148
(Reorder:)		+20031	<b>1963-1957 Transmatic Trans.:</b>		
(Speedi-Sleeve)		99196	Seal		25641
1995-1989 E40D & 4R100 Trans.:			(Speedi-Sleeve)		99256
Seal		19966	<b>1961-1957 Ford-O-Matic Trans.:</b>		
1994-1965 w/o AODE-W, Cruise-O-Matic & E40D Trans.:			Seal		14978
Seal		19807	Seal & Bushing Kit		14982
(Speedi-Sleeve)		99199	(Speedi-Sleeve)		99149
(Speedi-Sleeve/Seal Kit)		480198	(Speedi-Sleeve/Seal Kit)		480148
1967-1957 Cruise-O-Matic & Ford-O-Matic Trans.:			<b>Shift Shaft</b>		
Seal		19240	1995-1957 All:		
(Speedi-Sleeve)		99193	Seal		7556
<b>Rear</b>			(Speedi-Sleeve)		99076
1995-1994 AODE-W, 4R75W & 4R70W Trans.:			<b>Transmission</b>		
Seal (w/Long Boot)		15977	<b>Kit</b>		
Seal (w/Short Boot)		15966	1995-1988 4WD, S5-42 Trans Mfr Code, 5 Speed;		
1995 4R100 Trans.:			Includes Mainshaft Needles:		
Seal		16725	Light Duty Kit		STK300-ZF
(Speedi-Sleeve)		99168	1995-1988 RWD, S5-42 Trans Mfr Code, 5 Speed;		
(Speedi-Sleeve/Seal Kit)		480168	Includes Mainshaft Needles:		
Seal & Bushing Kit		16727	Light Duty Kit		STK300-ZF
1995-1973 C6 & E40D Trans. w/2 W/D:			1992-1987 RWD, T-18 Trans Mfr Code, 4 Speed:		
Seal		16725	Light Duty Kit		STK82-F
(Speedi-Sleeve)		99168	1992-1987 4WD, T-18 Trans Mfr Code, 4 Speed:		
(Speedi-Sleeve/Seal Kit)		480168	Light Duty Kit		STK82-F
Seal & Bushing Kit		16727	1989-1988 RWD, M5R2 Trans Mfr Code, 5 Speed; 42		
Bearing		6307-NRJ	Tooth 5th Gear Synchro:		
1994-1981 AOT & C5 Trans.:			Light Duty Kit		STK248
Seal		14978	1989-1988 4WD, M5R2 Trans Mfr Code, 5 Speed; 42		
(Speedi-Sleeve)		99149	Tooth 5th Gear Synchro:		
(Speedi-Sleeve/Seal Kit)		480148	Light Duty Kit		STK248
Seal & Bushing Kit		14982	1985-1977 4WD, T-18 Trans Mfr Code, 4 Speed:		
1981-1973 C4 Trans.:			Light Duty Kit		STK82-F
Seal (w/o Boot)		15005	1985-1965 RWD, T-18 Trans Mfr Code, 4 Speed:		
(Speedi-Sleeve) (w/o Boot)		99149	Light Duty Kit		STK82-F
(Speedi-Sleeve) /Seal Kit (w/o Boot)		480152	1975-1965 4WD, T-18 Trans Mfr Code, 4 Speed:		
Seal (w/Boot)		14978	Light Duty Kit		STK82-F
(Speedi-Sleeve) (w/Boot)		99149	<b>Transmission-Manual</b>		
(Speedi-Sleeve) /Seal Kit (w/Boot)		480148	<b>Countershaft</b>		
Seal & Bushing Kit (w/Boot)		14982	1995-1988 ZF Trans.:		
1980-1968 C6 Trans. w/4 W/D:			Bearing		[2] BR2580/BR2520
Seal		21213	1995-1994 5 Spd. Mazda Trans.:		
(Speedi-Sleeve)		99212	Bearing (Front)		MR1205-EX
Bearing		6307-NRJ	Bearing (Center)		MR1206-EX
			Bearing (Rear)		6304-J
					(Continued)



# Passenger cars, light & medium trucks

## (Cont.) -- Ford Truck 1/2 ton, F100, F150, P100, F1 series

MFG./YEAR	MODEL & LOCATION	PART NO.	MFG./YEAR	MODEL & LOCATION	PART NO.
<b>Transmission-Manual (Cont.)</b>			<b>Transmission-Manual (Cont.)</b>		
<b>Countershaft (Cont.)</b>			<b>Front (Cont.)</b>		
1993-1948	4 Spd. Warner T-18, T-19 & T-98 Trans.:		1979-1963	3 Spd. Ford Trans.:	
	Bearing ..... [88] C436-Q		Seal .....	11123	
1990-1978	4 Spd. O/D Ford Trans.:		(Speedi-Sleeve) .....	99122	
	Bearing ..... [42] QAR33724		Bearing .....	■ 6208-NRJ	
1990-1957	3 Spd. Ford Trans.:		1971-1965	3 Spd. Warner T-85 & T-89 Trans.:	
	Bearing ..... [50] C1086-Q		Seal .....	12363	
1988	5 Spd. Toyo Kogyo Trans.:		(Speedi-Sleeve) .....	99125	
	Bearing (Front) .....	MR1205-EX	Bearing .....	6307-NRJ	
1988-1965	4 Spd. New Process 435 Trans.:		1964	3 Spd. Warner T-85 Trans.:	
	Bearing (Front) .....	M24161-X1	Seal .....	12363	
	Bearing (Rear) .....	B3216	(Speedi-Sleeve) .....	99125	
	Bearing (Thrust) .....	6206-ZJ	Bearing .....	■ 6207-NRJ	
1964-1953	3 Spd. O/D Warner T-85 & T-86 Trans.:		1964-1948	4 Spd. Warner T-98 Trans.:	
	Bearing ..... [44] C407-Q		Seal .....	12363	
<b>Fifth Speed Gear</b>			(Speedi-Sleeve) .....	99125	
1995-1988	5 Spd. ZF Trans.:		Bearing .....	6308-NRJX	
	Bearing .....	F209031	1962-1957	3 Spd. Ford Trans.:	
<b>First Speed Gear</b>			Seal .....	13534	
1995-1988	5 Spd. ZF Trans.:		(Speedi-Sleeve) .....	99138	
	Bearing .....	F206756	Bearing .....	■ 6207-NRJ	
<b>Front</b>			<b>Mainshaft Pilot</b>		
1995-1988	ZF Trans.:		1995-1994	5 Spd. Mazda Trans.:	
	Seal .....	13946	Bearing (Center) .....	BR69	
	(Speedi-Sleeve) .....	99139	Bearing (Rear) .....	6207-VSP33	
	Bearing .....	BR28580/BR28521	1993-1965	4 Spd. Warner T-18 & T-19 Trans.:	
1995-1994	5 Spd. Mazda Trans.:		Bearing .....	[22] C436-Q	
	Seal .....	10661	1990-1957	3 & 4 Spd. Ford Trans.:	
	(Speedi-Sleeve) .....	99106	Bearing .....	[15] QBR23549	
1993-1983	4 Spd. Warner T-18 & T-19 Trans.:		1988	5 Spd. ZF Trans.:	
	Seal .....	12363	Bearing .....	JH13349	
	(Speedi-Sleeve) .....	99125	1988-1965	4 Spd. New Process 435 Trans.:	
	Bearing .....	6308-NRJ	Bearing .....	[14] Q15902	
1991-1988	5 Spd. Toyo Kogyo Trans.:		Bearing (Thrust) .....	FA35688	
	Seal .....	11612	1971-1956	3 Spd. Warner T-89 Trans.:	
	(Speedi-Sleeve) .....	99114	Bearing .....	[14] W1518-Q	
	Bearing .....	BR55	1964-1957	3 Spd. O/D Warner T-85 & T-86 Trans.:	
1990-1985	4 Spd. O/D Ford Trans. From 11/18/84:		Bearing .....	[15] QBR23549	
	Seal .....	11111	<b>Rear</b>		
	(Speedi-Sleeve) .....	99112	1995-1994	ZF Trans. w/2 W/D:	
	Bearing .....	■ 6308-NJ	Seal .....	14900	
1990-1980	3 Spd. Ford Trans.:		1995-1994	ZF Trans. w/4 W/D:	
	Seal .....	11111	Seal .....	11592	
	(Speedi-Sleeve) .....	99112	(Speedi-Sleeve) .....	99114	
	Bearing .....	■ 6208-NRJ	1993-1988	5 Spd. ZF Trans. w/2 W/D w/o Trans. Mounted	
1988-1965	4 Spd. New Process 435 Trans.:		Parking Brk.:		
	Seal .....	13557	Seal .....	19601	
	(Speedi-Sleeve) .....	99138	(Speedi-Sleeve) .....	99196	
	Bearing .....	HM88649/HM88610	Bearing .....	J28573/BR28521	
1985-1980	4 Spd. O/D Ford Trans. Thru 11/17/84:		1993-1988	5 Spd. ZF Trans. w/4 W/D:	
	Seal .....	11111	Seal .....	15803	
	(Speedi-Sleeve) .....	99112	(Speedi-Sleeve) .....	99157	
	Bearing .....	6308-VSP65	Bearing .....	J28573/BR28521	
1982-1965	4 Spd. Warner T-18 Trans.:		1993-1988	5 Spd. ZF Trans. w/2 W/D & Trans. Mounted	
	Seal .....	12363	Parking Brk.:		
	(Speedi-Sleeve) .....	99125	Seal .....	15803	
	Bearing .....	6308-NRJX	(Speedi-Sleeve) .....	99157	
1979-1978	4 Spd. O/D Ford Trans.:		Bearing .....	J28573/BR28521	
	Seal .....	11123	(Continued)		
	(Speedi-Sleeve) .....	99112			
	Bearing .....	6308-VSP65			

## Passenger cars, light & medium trucks

### Ford Truck 1/2 ton, F100, F150, P100, F1 series -- (Cont.)

MFG./YEAR	MODEL & LOCATION	PART NO.	MFG./YEAR	MODEL & LOCATION	PART NO.
<b>Transmission-Manual (Cont.)</b>			<b>Transmission-Manual (Cont.)</b>		
<b>Rear (Cont.)</b>			<b>Rear (Cont.)</b>		
<b>1993-1984 4 Spd. Warner T-18 Trans.:</b>			<b>1979-1973 4 Spd. New Process 435 Trans.:</b>		
	Seal .....	14978		Seal .....	15005
	(Speedi-Sleeve) .....	99149		(Speedi-Sleeve) .....	99149
	Seal & Bushing Kit .....	14982		(Speedi-Sleeve/Seal Kit) .....	480152
	(Speedi-Sleeve/Seal Kit) .....	480148		Bearing .....	6308-VSP65
	Bearing .....	6308-VSP65	<b>1978-1965 4 Spd. Warner T-18 Trans. w/4 W/D:</b>		
<b>1990-1988 5 Spd. Toyo Kogyo Trans.:</b>			<b>Seal .....</b>		
	Seal .....	14900	<b>(Speedi-Sleeve) .....</b>		
	Bearing (Center) .....	BR69	<b>(Speedi-Sleeve/Seal Kit) .....</b>		
	Bearing (Rear) .....	6208-VSP37	<b>Bearing .....</b>		
<b>1990-1987 4 Spd. Warner T-19 Trans.:</b>			<b>1972-1966 4 Spd. New Process 435 Trans.:</b>		
	Seal .....	15041	<b>Seal .....</b>		
	(Speedi-Sleeve) .....	99149	<b>(Speedi-Sleeve) .....</b>		
	(Speedi-Sleeve/Seal Kit) .....	480150	<b>(Speedi-Sleeve/Seal Kit) .....</b>		
<b>1990-1985 4 Spd. O/D Ford Trans. From 11/18/84:</b>			<b>Bearing .....</b>		
	Seal .....	14978	<b>308-NRJ</b>		
	(Speedi-Sleeve) .....	99149	<b>1972-1963 3 Spd. Ford Trans.:</b>		
	Seal & Bushing Kit .....	14982	<b>Seal .....</b>		
	(Speedi-Sleeve/Seal Kit) .....	480148	<b>(Speedi-Sleeve) .....</b>		
	Bearing .....	6308-NJ	<b>(Speedi-Sleeve/Seal Kit) .....</b>		
<b>1990-1973 3 Spd. Ford Trans.:</b>			<b>Bearing .....</b>		
	Seal .....	14978	<b>6207-NRJ</b>		
	(Speedi-Sleeve) .....	99149	<b>1971-1966 3 Spd. Warner T-85 &amp; T-89 Trans.:</b>		
	(Speedi-Sleeve/Seal Kit) .....	480148	<b>Seal .....</b>		
	Bearing .....	6207-NRJ	<b>(Speedi-Sleeve) .....</b>		
<b>1988-1983 4 Spd. New Process 435 Trans.:</b>			<b>(Speedi-Sleeve/Seal Kit) .....</b>		
	Seal .....	16725	<b>480152</b>		
	Seal & Bushing Kit .....	16727	<b>Bearing .....</b>		
	(Speedi-Sleeve) .....	99168	<b>6307-NRJ</b>		
	(Speedi-Sleeve/Seal Kit) .....	480168	<b>1971-1965 3 Spd. O/D Warner T-85 &amp; T-86 Trans.:</b>		
	Bearing .....	308-NRJ	<b>Seal .....</b>		
<b>1985-1978 4 Spd. O/D Ford Trans. Thru 11/17/84:</b>			<b>(Speedi-Sleeve) .....</b>		
	Seal .....	14978	<b>99149</b>		
	(Speedi-Sleeve) .....	99149	<b>(Speedi-Sleeve/Seal Kit) .....</b>		
	Seal & Bushing Kit .....	14982	<b>480152</b>		
	(Speedi-Sleeve/Seal Kit) .....	480148	<b>Bearing .....</b>		
	Bearing .....	6308-VSP65	<b>6207-ZNRJ</b>		
<b>1983-1980 4 Spd. Warner T-18 Trans. w/2 W/D:</b>			<b>1964-1957 4 Spd. Warner T-98 Trans.:</b>		
	Seal .....	15041	<b>Seal .....</b>		
	(Speedi-Sleeve) .....	99149	<b>(Speedi-Sleeve) .....</b>		
	(Speedi-Sleeve/Seal Kit) .....	480150	<b>(Speedi-Sleeve) .....</b>		
	Bearing .....	6308-VSP65	<b>99212</b>		
<b>1983-1980 4 Spd. Warner T-18 Trans. w/4 W/D:</b>			<b>Bearing .....</b>		
	Seal .....	15773	<b>6308-NRJ</b>		
	(Speedi-Sleeve) .....	99156	<b>1964-1956 3 Spd. Warner T-89 Trans.:</b>		
	Bearing .....	6308-VSP65	<b>Seal .....</b>		
<b>1982-1980 4 Spd. New Process 435 Trans.:</b>			<b>(Speedi-Sleeve) .....</b>		
	Seal .....	14978	<b>99212</b>		
	(Speedi-Sleeve) .....	99149	<b>Bearing .....</b>		
	Seal & Bushing Kit .....	14982	<b>6307-NRJ</b>		
	(Speedi-Sleeve/Seal Kit) .....	480148	<b>1964-1953 3 Spd. Warner T-85 &amp; T-86 Trans.:</b>		
	Bearing .....	6308-VSP65	<b>Seal .....</b>		
<b>1979 4 Spd. Warner T-18 Trans. w/4 W/D:</b>			<b>(Speedi-Sleeve) .....</b>		
	Seal .....	15773	<b>99149</b>		
	(Speedi-Sleeve) .....	99156	<b>(Speedi-Sleeve/Seal Kit) .....</b>		
	Bearing .....	6308-NRJ	<b>480152</b>		
<b>1979-1974 4 Spd. Warner T-18 Trans. w/2 W/D:</b>			<b>Bearing .....</b>		
	Seal .....	15041	<b>6207-NRJ</b>		
	(Speedi-Sleeve) .....	99149	<b>1962-1957 3 Spd. Ford Trans.:</b>		
	(Speedi-Sleeve/Seal Kit) .....	480150	<b>Seal .....</b>		
	Bearing .....	6308-NRJ	<b>(Speedi-Sleeve) .....</b>		
			<b>(Speedi-Sleeve/Seal Kit) .....</b>		
			<b>99149</b>		
			<b>Bearing (1.181" Shaft) .....</b>		
			<b>6306-NRJ</b>		
			<b>Bearing (1.378" Shaft) .....</b>		
			<b>6207-NRJ</b>		
			<b>Reverse Gear</b>		
			<b>1995-1988 5 Spd. ZF Trans.:</b>		
			<b>Bearing .....</b>		
			<b>F206756</b>		
			<b>Reverse Idler</b>		
			<b>1995-1988 5 Spd. ZF Trans.:</b>		
			<b>Bearing .....</b>		
			<b>F597071</b>		
			<b>1993-1965 4 Spd. Warner T-18 &amp; T-19 Trans.:</b>		
			<b>Bearing .....</b>		
			<b>[74] B1316-Q</b>		
			<b>1990-1978 4 Spd. O/D Ford Trans.:</b>		
			<b>Bearing .....</b>		
			<b>[44] C407-Q</b>		
			<b>1972-1965 4 Spd. New Process 435 Trans.:</b>		
			<b>Bearing .....</b>		
			<b>[68] C407-Q</b>		
			(Continued)		

# Passenger cars, light & medium trucks

## (Cont.) -- Ford Truck 1/2 ton, F100, F150, P100, F1 series

MFG./YEAR	MODEL & LOCATION	PART NO.	MFG./YEAR	MODEL & LOCATION	PART NO.
<b>Transmission-Manual (Cont.)</b>			<b>Engine (Cont.)</b>		
<b>Reverse Idler (Cont.)</b>			<b>Crankshaft-Rear (Cont.)</b>		
1964-1946	4 Spd. Warner T-98 Trans.:		1987-1983	255 (4.2L) & 302 (5.0L) Engs. From 12/82	
	Bearing ..... [74]	B1316-Q		Thru 2/15/87:	
<b>Second Speed Gear</b>			Seal .....		36147
1995-1988	5 Spd. ZF Trans.:		(Speedi-Sleeve) .....		99362
	Bearing .....	F206755	1985-1965	240 (3.9L) & 300 (4.9L) Engs. Thru 3/85:	
1964-1957	4 Spd. Warner T-98 Trans.:		Seal .....		37340
	Bearing ..... [34]	Q6086	(Speedi-Sleeve) .....		99372
<b>Shift Shaft</b>			1983	230 (3.8L) Eng. From 1/83:	
1983-1980	4 Spd. O/D Ford Trans.:		Seal .....		36147
	Seal .....	5510	(Speedi-Sleeve) .....		99362
	(Speedi-Sleeve) .....	99056	1983-1982	230 (3.8L) Eng. Thru 12/82:	
1971-1957	3 Spd. O/D Warner T-85 & T-86 Trans.:		Seal (Rope) .....		196
	Seal .....	6130	Seal (Rubber) .....		205
	(Speedi-Sleeve) .....	99062	1983-1977	351 (5.8L) & 400 (6.6L) Engs. Thru 7/10/83:	
<b>Third Speed Gear</b>			Seal (Rope) .....		196
1995-1988	5 Spd. ZF Trans.:		Seal (Rubber) .....		211
	Bearing .....	F206755	1983-1969	255 (4.2L), 289 (4.8L) & 302 (5.0L) Engs.	
<b>Air Conditioning Compressor</b>				Thru 11/82:	
1995-1989	FX-15 Comp.:		Seal (Rope) .....		196
	Bearing .....	5106-WCC	Seal (Rubber) .....		205
1972-1969	F100:		1979-1973	460 (7.5L) Eng.:	
	Bearing .....	5106-WCC	Seal (Rope) .....		196
			Seal (Rubber) .....		201
<b>Alternator</b>			1976-1965	352, 360 & 390 Engs.:	
1993-1973	All:		Seal (Rope) .....		196
	Bearing (Front) .....	6203-2RSJ	1965-1961	P100 w/144 (2.4L) & 170 (2.8L) Engs.:	
	Bearing (Rear) .....	MNJ471-S	Seal (Rope) .....		196
1972-1967	Ford 65 & 70 Amp.:		Seal (Rubber) .....		204
	Bearing (Front) .....	6305-2RSJ	1964-1953	215, 223, 262, 272 & 292 Engs.:	
	Bearing (Rear) .....	MNJ471-S	Seal (Rope) .....		196
1972-1963	Ford w/o 65 & 70 Amp.:		<b>Timing Cover</b>		
	Bearing (Front) .....	6203-2RSJ	1995-1985	300 (4.9L) Eng. From 5/15/85:	
	Bearing (Rear) .....	MNJ471-S	Seal (Viton) .....		18544
1972-1957	Leece Neville w/o 100 & 105 Amp.:		Seal .....		18548
	Bearing (Front) .....	6304-2RSJ	(Speedi-Sleeve) .....		99187
	Bearing (Rear) .....	6203-2RSJ	(Speedi-Sleeve/Seal Kit) .....		480185
1971-1966	Leece Neville 105 Amp.:		1995-1979	230 (3.8L), 255 (4.2L), 302 (5.0L), 351 (5.8L)	
	Bearing (Front) .....	W6306-2RSJ		& 400 (6.6L) Engs.:	
	Bearing (Rear) .....	W6205-2RSJ	Seal (Viton) .....		18544
1958-1957	Leece Neville 100 Amp.:		Seal .....		18548
	Bearing ..... [2]	6204-2RSJ	(Speedi-Sleeve) .....		99187
			(Speedi-Sleeve/Seal Kit) .....		480185
<b>Drive Shaft</b>			1985-1973	300 (4.9L) Eng. Thru 5/14/85:	
1995-1955	All:		Seal (Viton) .....		18546
	Bearing Only .....	BR88107	Seal .....		18562
	Bearing & Support .....	HB88107-A	(Speedi-Sleeve) .....		99187
			(Speedi-Sleeve/Seal Kit) .....		480186
<b>Engine</b>			1979-1973	460 (7.5L) Eng.:	
<b>Crankshaft-Rear</b>			Seal (Viton) .....		18546
1995-1992	300 (4.9L) & 351 (5.8L) Engs. From 5/29/92:		Seal .....		18562
	Seal .....	37338	(Speedi-Sleeve) .....		99187
1995-1987	302 (5.0L) Eng. From 2/16/87:		(Speedi-Sleeve/Seal Kit) .....		480186
	Seal .....	36147	1978-1961	8 Cyl. Eng. From Ser. 110001 Exc. 351 M &	
	(Speedi-Sleeve) .....	99362		400 Engs.:	
1994-1983	351 W (5.8L) Eng. From 7/11/83:		Seal (Viton) .....		18546
	Seal .....	37341	Seal .....		18562
	(Speedi-Sleeve) .....	99372	(Speedi-Sleeve) .....		99187
1992-1985	300 (4.9L) Eng. From 4/85 Thru 5/29/92:		(Speedi-Sleeve/Seal Kit) .....		480186
	Seal .....	37341			
	(Speedi-Sleeve) .....	99372			

(Continued)

**Ford Truck 1/2 ton, F100, F150, P100, F1 series -- (Cont.)**

MFG./YEAR	MODEL & LOCATION	PART NO.	MFG./YEAR	MODEL & LOCATION	PART NO.
<b>Engine (Cont.)</b>			<b>Steering-Power (Cont.)</b>		
<b>Timing Cover (Cont.)</b>			<b>Worm Shaft</b>		
<b>1972-1962 6 Cyl. Eng. From Ser. 220001:</b>			<b>1995-1994 From 5/94:</b>		
Seal (Viton)		18546	Bearing		FC65753
Seal		18562	<b>1994-1968 Thru 5/94:</b>		
(Speedi-Sleeve)		99187	Seal		8178
(Speedi-Sleeve/Seal Kit)		480186	Bearing		FC65753
<b>1965-1961 P100 w/144 (2.4L) &amp; 170 (2.8L) Eng.s.:</b>			<b>Steering-Standard</b>		
Seal		17271	<b>Pitman Shaft</b>		
(Speedi-Sleeve)		99174	<b>1995-1983 From 3/83:</b>		
<b>1962-1952 6 Cyl. Eng. Thru Ser. 220000 Exc. 254 Eng.:</b>			Seal		12695
Seal (Viton)		18546	<b>1983-1980 Thru 2/83:</b>		
(Speedi-Sleeve)		99187	Seal		11055
Seal		18562	Bearing		B1816
(Speedi-Sleeve)		99187	<b>1979-1965 2 W/D:</b>		
(Speedi-Sleeve/Seal Kit)		480186	Seal		11081
<b>1961-1952 8 Cyl. Eng. Thru Ser. 110000:</b>			Bearing		B1816
Seal (Viton)		18546	<b>1978-1976 4 W/D:</b>		
(Speedi-Sleeve)		99187	Seal		11065
Seal		18562	<b>1975-1966 4 W/D:</b>		
(Speedi-Sleeve)		99187	Seal		12350
(Speedi-Sleeve/Seal Kit)		480186	<b>1967-1961 P100:</b>		
<b>Generator</b>			Seal		12334
<b>1964-1948 Ford:</b>			<b>1965-1963 4 W/D From Ser. 380001:</b>		
Bearing (Front)		6203-2RSJ	Seal		13537
Bearing (Rear)		6200-2RSJ	<b>1963 2 W/D From Ser. 330001:</b>		
<b>1963-1957 Autolite 40 Amp.:</b>			Seal		11081
Bearing (Front)		6204-2RSJ	<b>1963-1961 4 W/D Thru Ser. 380000:</b>		
Bearing (Rear)		6303-J	Seal		12350
<b>1960-1957 Bosch:</b>			<b>1960-1953 Exc. Saginaw Gear:</b>		
Bearing (Front)		6204-2RSJ	Seal		12334
Bearing (Rear)		6204-2RSJ	<b>1959 Saginaw Gear:</b>		
<b>Power Takeoff</b>			Seal		11065
<b>Drive Shaft</b>			<b>1952-1948 All:</b>		
<b>1963-1960 5 Spd. Clark 250V &amp; 251V Trans.:</b>			Seal		11081
Seal		8060	<b>Worm Shaft</b>		
<b>Steering-Power</b>			<b>1995-1983 From 3/83:</b>		
<b>Pump Shaft</b>			Seal		◇7210
<b>1995-1965 All:</b>			(Superseded by).....		7473
Seal		6765			
<b>1964-1963 All:</b>					
Seal		7465			

**Ford Truck 3/4 ton, F250, F250(Super Duty), F2 series**

MFG./YEAR	MODEL & LOCATION	PART NO.	MFG./YEAR	MODEL & LOCATION	PART NO.
<b>Wheel Front (2 W/D)</b>			<b>Wheel Front (2 W/D) (Cont.)</b>		
<b>1995-1986 All:</b>			<b>1985-1980 Single Piston Disc Brks.:</b>		
Seal		24017	Seal		19743
Bearing (Inner)		BR50	Bearing (Inner)		BR13
(Set Components)		LM102949/LM102910	(Set Components)		L68149/L68110
Bearing (Outer)		BR15101/BR15245	Bearing (Outer)		BR12
<b>1985-1980 Dual Piston Disc Brks.:</b>			(Set Components)		LM12749/LM12710
Seal		24017	<b>1979-1975 Dual Piston Disc Brks. From Ser. V80001:</b>		
Bearing (Inner)		BR50	Seal		23300
(Set Components)		LM102949/LM102910	Bearing (Inner)		BR50
Bearing (Outer)		BR15101/BR15245	(Set Components)		LM102949/LM102910
			Bearing (Outer)		BR15101/BR15245
			(Continued)		

**Passenger cars, light & medium trucks**

**(Cont.) -- Ford Truck 3/4 ton, F250, F250(Super Duty), F2 series**

MFG./YEAR	MODEL & LOCATION	PART NO.	MFG./YEAR	MODEL & LOCATION	PART NO.
<b>Wheel Front (2 W/D) (Cont.)</b>			<b>Wheel Front (4 W/D) (Cont.)</b>		
<b>1979-1973 Single Piston Disc Brks.:</b>			<b>1991-1990 Spicer 44 Axle w/Auto. Locking Hubs:</b>		
	Seal .....	19743		Seal .....	24917
	Bearing (Inner) .....	BR13		Bearing (Inner) .....	BR37
	(Set Components) .....	L68149/L68110		(Set Components) .....	LM603049/LM603011
	Bearing (Outer) .....	BR12		Bearing (Outer) .....	BR35
	(Set Components) .....	LM12749/LM12710		(Set Components) .....	LM501349/LM501310
<b>1975-1973 Dual Piston Disc Brks. Thru Ser. V80000:</b>			<b>1991-1990 Spicer 44 Axle w/Man. Locking Hubs:</b>		
	Seal .....	20608		Seal .....	24917
	Bearing (Inner) .....	BR35		Bearing (Inner) .....	BR38
	(Set Components) .....	LM501349/LM501310		(Set Components) .....	LM104949/LM104911
	Bearing (Outer) .....	BR15101/BR15245		Bearing (Outer) .....	BR35
	(Set Components) .....			(Set Components) .....	LM501349/LM501310
<b>1972-1968 Disc Brks.:</b>			<b>1982-1981 Spicer 44 Axle Over 8500 lb. G.V.W.:</b>		
	Seal .....	20608		Seal .....	24917
	Bearing (Inner) .....	BR35		Bearing (Inner) .....	LM104949/JLM104910
	(Set Components) .....	LM501349/LM501310		Bearing (Outer) .....	BR35
	Bearing (Outer) .....	BR15101/BR15245		(Set Components) .....	LM501349/LM501310
<b>1972-1968 2.5" Drum Brks.:</b>			<b>1982-1981 Spicer 44 Axle Under 8500 lb. G.V.W. w/o E1TA-MF &amp; ABA:</b>		
	Seal .....	20608		Seal .....	24917
	Bearing (Inner) .....	BR35		Bearing (Inner) .....	BR37
	(Set Components) .....	LM501349/LM501310		(Set Components) .....	LM603049/LM603011
	Bearing (Outer) .....	BR15101/BR15245		Bearing (Outer) .....	BR35
	(Set Components) .....			(Set Components) .....	LM501349/LM501310
<b>1972-1965 2" Drum Brks.:</b>			<b>1982-1981 Spicer 44 Axle Under 8500 lb. G.V.W. w/E1TA-MF &amp; ABA:</b>		
	Seal .....	19763		Seal .....	24917
	Bearing (Inner) .....	BR51		Bearing (Inner) .....	BR37
	(Set Components) .....	LM29748/LM29710		(Set Components) .....	LM603049/LM603011
	Bearing (Outer) .....	BR3		Bearing (Outer) .....	BR35
	(Set Components) .....	M12649/M12610		(Set Components) .....	LM501349/LM501310
<b>1967 2.5" Drum Brks.:</b>			<b>1982-1981 Spicer 44 Axle Under 8500 lb. G.V.W. w/E1TA-MF &amp; ABA:</b>		
	Seal .....	20608		Seal .....	24917
	Bearing (Inner) .....	BR35		Bearing (Inner) .....	LM104949/JLM104910
	(Set Components) .....	LM501349/LM501310		Bearing (Outer) .....	BR50
	Bearing (Outer) .....	BR1380/BR1328		(Set Components) .....	LM102949/LM102910
<b>1966 2.5" Drum Brks.:</b>			<b>1980-1976 Spicer 44 w/o 3500 lb. Axle:</b>		
	Seal .....	20608		Seal .....	24917
	Bearing (Inner) .....	BR35		Bearing (Inner) .....	LM104949/JLM104910
	(Set Components) .....	LM501349/LM501310		Bearing (Outer) .....	BR35
	Bearing (Outer) .....	BR3		(Set Components) .....	LM501349/LM501310
	(Set Components) .....	M12649/M12610	<b>1979-1976 Spicer 44 w/3500 lb. Axle From Ser. B50000:</b>		
<b>1964-1957 All:</b>				Seal .....	25077
	Seal .....	18055		Bearing (Inner) .....	368-A/362-A
	Bearing (Inner) .....	BR5		Bearing (Outer) .....	BR35
	(Set Components) .....	LM48548/LM48510		(Set Components) .....	LM501349/LM501310
	Bearing (Outer) .....	BR2	<b>1977-1976 Spicer 60 Axle From Ser. B50000:</b>		
	(Set Components) .....	LM11949/LM11910		Seal .....	25077
<b>1956-1948 All:</b>				Bearing (Inner) .....	BR368/362-A
	Seal .....	17599		Bearing (Outer) .....	BR35
	Bearing (Inner) .....	BR14130/BR14276		(Set Components) .....	LM501349/LM501310
	Bearing (Outer) .....	BR09067/BR09195	<b>1976-1973 Spicer 60 Axle Thru Ser. B49999:</b>		
<b>Wheel Front (4 W/D)</b>				Seal .....	25077
<b>1995-1978 Spicer 50 &amp; 60 Axles:</b>				Bearing (Inner) .....	BR368/362-A
	Seal .....	27452		Bearing (Outer) .....	BR35
	Bearing (Inner) .....	387-A/382-A		(Set Components) .....	LM501349/LM501310
	Bearing (Outer) .....	BR38	<b>1976-1961 3500 lb. Spicer 44-6HD Axle Thru Ser. B49999:</b>		
	(Set Components) .....	LM104949/LM104911		Seal .....	25077
<b>1994-1983 Spicer 44 Axle:</b>				Bearing (Inner) .....	BR368/362-A
	Seal .....	24917		Bearing (Outer) .....	BR35
	Bearing (Inner) .....	LM104949/JLM104910		(Set Components) .....	LM501349/LM501310
	Bearing (Outer) .....	BR35	<b>1975-1969 3300 lb. Spicer 44-6F Axle From Ser. F70001:</b>		
	(Set Components) .....	LM501349/LM501310		Seal .....	24917
				Bearing (Inner) .....	BR37
				(Set Components) .....	LM603049/LM603011
				Bearing (Outer) .....	BR35
				(Set Components) .....	LM501349/LM501310

(Continued)

**Ford Truck 3/4 ton, F250, F250(Super Duty), F2 series -- (Cont.)**

MFG./YEAR	MODEL & LOCATION	PART NO.	MFG./YEAR	MODEL & LOCATION	PART NO.
-----------	------------------	----------	-----------	------------------	----------

**Wheel Front (4 W/D) (Cont.)**

<b>1969-1959</b>	<b>3000 lb. Spicer 44 Axle Thru Ser. F70000:</b>	
Seal	.....	<b>24904</b>
Bearing (Inner)	.....	<b>BR37</b>
(Set Components)	.....	<i>LM603049/LM603011</i>
Bearing (Outer)	.....	<b>BR35</b>
(Set Components)	.....	<i>LM501349/LM501310</i>

**Axle Shaft**

<b>1995-1983</b>	<b>Spicer 44 &amp; 50 Axles:</b>	
Seal (L.H.)	.....	<b>12925</b>
Seal (R.H.)	.....	<b>14247</b>
Bearing	.....	<b>R1563-TAV</b>
(Axle Repair Brg. Assy.)	.....	• <i>R1563</i>
<b>1982-1980</b>	<b>All:</b>	
Seal (L.H.)	.....	<b>12925</b>
Seal (R.H.)	.....	<b>16735</b>
<b>1979-1978</b>	<b>Spicer 44 Axle From Ser. CE0001:</b>	
Seal	.....	<b>13168</b>
<b>1979-1978</b>	<b>Spicer 60 Axle:</b>	
Seal	.....	<b>15692</b>
<b>1978-1959</b>	<b>Spicer 44 Axle Thru Ser. CE0000:</b>	
Seal	.....	<b>13165</b>
<b>1977-1973</b>	<b>Spicer 60 Axle:</b>	
Seal	.....	<b>13246</b>

**Spindle Hub**

<b>1995-1992</b>	<b>4600 lb. Axle Capacity:</b>	
Seal (Inner)	.....	<b>14634</b>
Seal (Outer)	.....	<b>21918</b>
Bearing	.....	<b>B2414</b>
Seal & Bearing Kit	.....	<b>BK6</b>
<b>1995-1991</b>	<b>3850 lb. Axle Capacity:</b>	
Seal	.....	<b>22311</b>
Bearing	.....	<b>B2110</b>
<b>1995-1976</b>	<b>Spicer 44 Axle From Ser. B50000:</b>	
Seal (Inner)	.....	<b>22311</b>
Seal (Outer)	.....	<b>711818</b>
Bearing	.....	<b>B2110</b>
Seal & Bearing Kit	.....	<b>BK1</b>
<b>1991-1978</b>	<b>Spicer 50 &amp; 60 Axles:</b>	
Seal	.....	<b>711822</b>
(V-Ring)	.....	<i>400659</i>
Bearing	.....	<b>B2414</b>
Seal & Bearing Kit	.....	<b>BK3</b>
<b>1977-1976</b>	<b>Spicer 60 Axle From Ser. B50000:</b>	
Seal (Inner)	.....	<b>22311</b>
Seal (Outer)	.....	<b>711818</b>
Bearing	.....	<b>B2110</b>
Seal & Bearing Kit	.....	<b>BK1</b>
<b>1976-1973</b>	<b>Spicer 44 &amp; 60 Axles Thru Ser. B49999:</b>	
Seal (Inner)	.....	<b>24917</b>
Seal (Outer)	.....	<b>26620</b>
Bearing	.....	<b>B2110</b>

**Steering Knuckle**

<b>1979-1961</b>	<b>3,500 lb. Spicer 44-6HDF &amp; 60 Axles:</b>	
Bearing	.....	<b>BR23100/BR23256</b>
<b>1975-1959</b>	<b>3,300 lb. Spicer 44-6F Axles:</b>	
Bearing	.....	<b>BR11590/BR11520</b>

**Wheel Rear**

<b>1995-1994</b>	<b>Ford Full-Floating Axle w/10.25" Ring Gear From 4/94:</b>	
Scotseal	.....	<b>34387</b>
Scotseal Plus XL	.....	<b>34384</b>
Seal & Bearing Kit	.....	<b>BR3992K</b>
Bearing (Inner)	.....	<b>BR3992/BR3920</b>
Bearing (Outer)	.....	<b>BR38</b>
(Set Components)	.....	<i>LM104949/LM104911</i>
<b>1995-1985</b>	<b>Ford Semi-Floating Axle w/10.25" Ring Gear:</b>	
Seal	.....	<b>17327</b>
Bearing	.....	<b>R1561-TV</b>
(Axle Repair Brg. Assy.)	.....	• <i>R1561-F</i>
<b>1994-1985</b>	<b>Ford Full-Floating Axle w/10.25" Ring Gear Thru 4/94:</b>	
Scotseal	.....	<b>34387</b>
Scotseal Plus XL	.....	<b>34384</b>
Seal & Bearing Kit	.....	<b>BR3992K</b>
Bearing (Inner)	.....	<b>BR3994/BR3920</b>
Bearing (Outer)	.....	<b>BR38</b>
(Set Components)	.....	<i>LM104949/LM104911</i>
<b>1985-1980</b>	<b>Spicer Full-Floating Axle:</b>	
Seal	.....	<b>28720</b>
Bearing (Inner)	.....	<b>387-AS/382-A</b>
Bearing (Outer)	.....	<b>BR38</b>
(Set Components)	.....	<i>LM104949/LM104911</i>
<b>1985-1980</b>	<b>Spicer Semi-Floating Axle:</b>	
Seal	.....	<b>17100</b>
Bearing	.....	<b>R1561-TV</b>
(Axle Repair Brg. Assy.)	.....	• <i>R1561-F</i>
<b>1979-1969</b>	<b>From Ser. F30001:</b>	
Seal	.....	<b>24917</b>
Bearing	.....	[2] <b>BR38</b>
(Set Components)	.....	<i>LM104949/LM104911</i>
<b>1969-1966</b>	<b>2.5" Brks. Thru Ser. F30000:</b>	
Seal	.....	<b>23702</b>
Bearing (Inner)	.....	<b>BR18790/BR18720</b>
Bearing (Outer)	.....	<b>BR25592/BR25520</b>
<b>1969-1953</b>	<b>2" Brks. Thru Ser. F30000:</b>	
Seal	.....	<b>23755</b>
Bearing (Inner)	.....	<b>BR18790/BR18720</b>
Bearing (Outer)	.....	<b>BR18780/BR18720</b>

**Pinion**

**Front Axle**

<b>1995-1980</b>	<b>Spicer 50 Axle:</b>	
Seal	.....	<b>15788</b>
(Speedi-Sleeve)	.....	<i>99155</i>
Bearing (Front)	.....	<b>HM88649/HM88610</b>
Bearing (Rear)	.....	<b>BR02872/BR02820</b>
<b>1992-1959</b>	<b>Spicer 44 Axle:</b>	
Seal	.....	<b>15788</b>
(Speedi-Sleeve)	.....	<i>99155</i>
Bearing (Front)	.....	<b>BR31594/BR31520</b>
Bearing (Rear)	.....	<b>BR02872/BR02820</b>
<b>1979-1973</b>	<b>Spicer 60 Axle:</b>	
Seal	.....	<b>18891</b>
(Speedi-Sleeve)	.....	<i>99187</i>
Bearing (Front)	.....	<b>HM803146/HM803110</b>
Bearing (Rear)	.....	<b>HM88542/HM88510</b>

(Continued)

# Passenger cars, light & medium trucks

## (Cont.) -- Ford Truck 3/4 ton, F250, F250(Super Duty), F2 series

MFG./YEAR	MODEL & LOCATION	PART NO.	MFG./YEAR	MODEL & LOCATION	PART NO.
<b>Pinion (Cont.)</b>			<b>Differential (Cont.)</b>		
<b>Rear Axle</b>			<b>Front Axle</b>		
<b>1995-1985 Ford Axle w/10.25" Ring Gear Exc. Super Duty:</b>			<b>1995-1983 Spicer 50 Axle:</b>		
	Seal	18024		Bearing	[2] JLM104948/LM104911-A
	(Speedi-Sleeve)	99181	<b>1992-1986 Spicer 44 Axle:</b>		
	Bearing (Front)	HM89443/HM89411		Bearing (Inner)	[2] BR25590/BR25523
	Bearing (Rear)	HM807044/HM807010		Bearing (Outer)	BR9
<b>1990-1983 8.80" Ring Gear:</b>			<b>1985-1983 Spicer 44 Axle:</b>		
	Seal	18136		Bearing (Inner)	[2] BR25590/BR25523
	(Speedi-Sleeve)	99181		Bearing (Outer)	R1563-TAV
	Bearing (Front)	BR52		(Axle Repair Brg. Assy.)	• R1563
	(Set Components)	M88048/M88010	<b>1982-1980 Spicer 44 Axle:</b>		
	Bearing (Rear)	M802048/M802011		Bearing (Inner)	[2] BR25590/BR25523
<b>1985-1983 Spicer 70 Axle w/3.50" O.D. Rr. Brg.:</b>				Bearing (Outer)	BR9
	Seal	18891	<b>1982-1980 Spicer 50 Axle:</b>		
	(Speedi-Sleeve)	99187		Bearing (Inner)	[2] JLM104948/LM104911-A
	Bearing (Front)	HM88542/HM88510		Bearing (Outer)	BR9
	Bearing (Rear)	HM803149/HM803110	<b>1979-1973 Spicer 60 Axle:</b>		
<b>1985-1983 Spicer 70 Axle w/4.125" O.D. Rr. Brg.:</b>				Bearing	[2] 387-A/382-S
	Seal	18891	<b>1979-1967 Spicer 44 Axle:</b>		
	(Speedi-Sleeve)	99187		Bearing	[2] BR25590/BR25523
	Bearing (Front)	HM88542/HM88510	<b>1966-1959 Spicer 44 Axle:</b>		
	Bearing (Rear)	HM807040/HM807010		Bearing	[2] BR25577/BR25523
<b>1985-1970 Spicer 60 Axle From Ser. G90001:</b>			<b>Rear Axle</b>		
	Seal	18891	<b>1995-1985 Ford Axle w/10.25" Ring Gear:</b>		
	(Speedi-Sleeve)	99187		Bearing	[2] BR469/453-X
	Bearing (Front)	HM88542/HM88510	<b>1990-1983 Ford Axle w/o 10.25" Ring Gear:</b>		
	Bearing (Rear)	HM803146/HM803110		Bearing	[2] BR36
<b>1970-1955 Spicer 60 Axle Thru Ser. G90000:</b>				(Set Components)	LM603049/LM603012
	Seal	18888	<b>1985-1983 Spicer 70 H.D. Axle:</b>		
	(Speedi-Sleeve)	99187		Bearing	[2] BR469/453-X
	Bearing (Front)	HM88542/HM88510	<b>1985-1954 Spicer Axle w/o H.D.:</b>		
	Bearing (Rear)	HM803146/HM803110		Bearing	[2] 387-A/382-S
<b>1955-1953 Rockwell Std. Axles:</b>			<b>Clutch</b>		
	Seal	18922	<b>Pilot</b>		
	(Speedi-Sleeve)	99187	<b>1995-1988 455 (7.3L) Eng.:</b>		
<b>1952-1947 All:</b>				Bearing	N3058
	Seal	12456	<b>1995-1990 351 (5.8L) &amp; 446 (7.3L) Eng.:</b>		
	(Speedi-Sleeve)	99125		Bearing	N3058
	(Speedi-Sleeve/Seal Kit)	480125	<b>1995-1983 460 (7.5L) Eng.:</b>		
<b>Differential Kit</b>				Bearing	B66067
<b>1995-1985 10.25" Ring Gear:</b>			<b>1995-1990 302 (5.0L) Eng.:</b>		
	Standard Seal and Bearing Kit Rear	SDK314		Bearing	N3058
	Master Seal and Bearing Kit Rear	SDK314-MK	<b>1976-1968 360 (5.9L) &amp; 390 (6.4L) Eng.:</b>		
<b>1995-1980 Dana 50 Axle:</b>				Bushing	B50-HD
	Standard Seal and Bearing Kit Front	SDK336	<b>1972-1965 240 (3.9L) &amp; 300 (4.9L) Eng.:</b>		
<b>1995-1960 Dana 60/61 Axle:</b>				Bearing (Bushing)	B50-J
	Standard Seal and Bearing Kit Rear	SDK331	<b>1964-1957 223 (3.7L), 262 (4.3L) &amp; 292 (4.8L) Eng.:</b>		
<b>1989-1983 8.80" Ring Gear:</b>				Bearing	6203-ZJ
	Standard Seal and Bearing Kit Rear	SDK311	<b>Release</b>		
	Master Seal and Bearing Kit Rear	SDK311-MK	<b>1995-1993 5 Spd. Trans. w/330 (5.4L) &amp; 352 (5.8L) Eng. w/o ZF Trans. Exc. Super Duty:</b>		
<b>1988-1967 Dana 44 Axle:</b>				Bearing Assembly	N4119
	Standard Seal and Bearing Kit Front	SDK339-B	<b>1995-1987 5 Spd. Trans. w/420 (6.9L), 445 (7.3L) &amp; 460 (7.5L) Eng.:</b>		
<b>1979-1973 Dana 60 Axle:</b>				Bearing Assembly	N4062
	Standard Seal and Bearing Kit Front	SDK331	<b>1993-1988 4 Spd. Trans.:</b>		
<b>1974-1970 9.00" 31 spline STSP 5/11/1970 Ring Gear:</b>				Bearing Assembly	N1714-SA
	Standard Seal and Bearing Kit Rear	SDK313	<b>1992-1988 5 Spd. Trans. w/o 420 (6.9L), 445 (7.3L) &amp; 460 (7.5L) Eng.:</b>		
<b>1970-1969 9.00" 28 spline ENSP 5/10/70 Ring Gear:</b>				Bearing Assembly	N4061
	Standard Seal and Bearing Kit Rear	SDK312			(Continued)

Ford Truck 3/4 ton, F250, F250(Super Duty), F2 series -- (Cont.)

MFG./YEAR	MODEL & LOCATION	PART NO.	MFG./YEAR	MODEL & LOCATION	PART NO.
<b>Clutch (Cont.)</b>			<b>Transfer Case (Cont.)</b>		
<b>Release (Cont.)</b>			<b>Front Output Shaft (Cont.)</b>		
<b>1987-1983 w/o ZF Trans.:</b>			<b>1978-1977 New Process 203:</b>		
Bearing Assembly		N1714	Seal		18872
(Self-Aligning)		N1714-SA	(Speedi-Sleeve)		99187
<b>1982-1973 All:</b>			Bearing (Front)		6307-NRJ
Bearing Only		N1586	Bearing (Rear)		M28161
Bearing Assembly		N1439	<b>1978-1973 New Process 205:</b>		
<b>1972-1966 All:</b>			Seal		21211
Bearing Assembly		N1444	(Speedi-Sleeve)		99212
(Self-Aligning)		N1444-SA	Bearing (Front)		6307-NRJ
(Heavy Duty)		N1439	Bearing (Rear)		M28161
<b>1965 240 (3.9L) &amp; 300 (4.9L) Eng.:</b>			Bearing (Gear)	[64]	QBR23549
Bearing Only		N1181	<b>1976-1974 New Process 203:</b>		
<b>1965 352 (5.8L), 360 (5.9L) &amp; 390 (6.4L) Eng.:</b>			Seal		15450
Bearing Assembly		N1444	(Speedi-Sleeve)		99155
(Self-Aligning)		N1444-SA	Bearing (Front)		6307-NRJ
(Heavy Duty)		N1439	Bearing (Rear)		M28161
<b>1964 223 (3.7L) &amp; 262 (4.3L) Eng.:</b>			<b>1972-1959 Spicer 24:</b>		
Bearing Only		N1087	Seal		21108
<b>1964 292 (4.8L) Eng.:</b>			(Speedi-Sleeve)		99212
Bearing Only		N1181	Bearing	[2]	6207-NRJ
<b>1963-1957 All:</b>			<b>Idler Shaft</b>		
Bearing Only		N1613	<b>1979-1974 New Process 203:</b>		
<b>1956-1953 All:</b>			Bearing	[72]	QAR29523
Bearing Only		N1087	<b>1979-1973 New Process 205:</b>		
Bearing Assembly		N1425	Bearing	[2]	BR2793/BR2720
<b>Transfer Case</b>			<b>1972-1959 Spicer 24:</b>		
<b>Kit</b>			Bearing	[2]	6207-NRJ
<b>1995-1987 1356 Manual Shift:</b>			<b>Input Shaft</b>		
Transfer Case Kit		STCK1356	<b>1995-1987 Warner 1356:</b>		
<b>1992-1981 1345:</b>			Seal		18892
Transfer Case Kit		STCK1345	Bearing		6010-J
<b>1979-1973 205 Direct Mount:</b>			<b>1992-1980 Warner 1345:</b>		
Transfer Case Kit		STCK205-F	Seal		17502
<b>1977-1973 205 Remote Mount:</b>			(Speedi-Sleeve)		99174
Transfer Case Kit		STCK205-FA	<b>1986-1980 New Process 208:</b>		
<b>Front Output Shaft</b>			Seal		19255
<b>1995-1987 Warner 1356:</b>			(Speedi-Sleeve)		99193
Seal		18771	Bearing	[2]	B5020
(Speedi-Sleeve)		99187	Bearing (Thrust)		AXK5070
Bearing (Front)		6207-J	<b>1979 New Process 203:</b>		
Bearing (Rear)		B2012	Seal		19255
<b>1992-1981 Warner 1345:</b>			(Speedi-Sleeve)		99193
Seal		18687	Bearing	[2]	210-NRJ
Bearing (Front)		6207-J	<b>1979-1977 New Process 205:</b>		
Bearing (Rear)		B2012	Seal		19255
<b>1986-1980 New Process 208:</b>			(Speedi-Sleeve)		99193
Seal		18687	Bearing	[2]	210-NRJ
Bearing (Rear)		M24161-X1	<b>1978-1977 New Process 203:</b>		
Bearing (Thrust)		NTA2840	Seal		19255
<b>1979 New Process 203:</b>			(Speedi-Sleeve)		99193
Seal		21203	Bearing	[2]	210-NRJ
(Speedi-Sleeve)		99212	<b>1976-1974 New Process 203:</b>		
Bearing (Front)		6307-NRJ	Seal		19778
Bearing (Rear)		M28161	(Speedi-Sleeve)		99199
<b>1979 New Process 205:</b>			Bearing	[2]	210-NRJ
Seal		21203	<b>1976-1973 New Process 205:</b>		
(Speedi-Sleeve)		99212	Seal		21211
Bearing (Front)		6307-NRJ	(Speedi-Sleeve)		99212
Bearing (Rear)		M28161	Bearing	[2]	210-NRJ
Bearing (Gear)		[64] QBR23549	(Continued)		



# Passenger cars, light & medium trucks

## (Cont.) -- Ford Truck 3/4 ton, F250, F250(Super Duty), F2 series

MFG./YEAR	MODEL & LOCATION	PART NO.	MFG./YEAR	MODEL & LOCATION	PART NO.
<b>Transfer Case (Cont.)</b>			<b>Transfer Case (Cont.)</b>		
<b>Input Shaft (Cont.)</b>			<b>Shift Shaft</b>		
<b>1972-1959 Spicer 24:</b>			<b>1979-1973 New Process 205:</b>		
	Seal .....	21108		Seal .....	7443
	(Speedi-Sleeve) .....	99212		(Speedi-Sleeve) .....	99076
	Bearing .....	6307-NRJ	<b>1972-1959 Spicer 24:</b>		
<b>Mainshaft Pilot</b>			<b>Seal .....</b>		
<b>1986-1980 New Process 208:</b>			<b>(Speedi-Sleeve) .....</b>		
	Bearing .....	B2012	<b>7440</b>		
	Bearing (Thrust) .....	TC2435	<b>(Speedi-Sleeve) .....</b>		
<b>1979-1973 New Process 205:</b>			<b>99076</b>		
	Bearing .....	[15] QAR29523	<b>Side Gear</b>		
<b>Oil Pump</b>			<b>1987-1980 Warner 1345:</b>		
<b>1986-1980 New Process 208:</b>			<b>Bearing .....</b>		
	Seal .....	22306	<b>B2812</b>		
	(Speedi-Sleeve) .....	99225	<b>1986-1980 New Process 208:</b>		
<b>Rear Output Shaft</b>			<b>Bearing .....</b>		
<b>1995-1987 Warner 1356:</b>			<b>[120] C1086-Q</b>		
	Seal .....	18687	<b>1979-1974 New Process 203:</b>		
	Bearing .....	6207-J	<b>Bearing (Gear) .....</b>		
<b>1992-1989 Warner 1345:</b>			<b>[123] C1086-Q</b>		
	Seal .....	18771	<b>Bearing (Pinion) .....</b>		
	(Speedi-Sleeve) .....	99187	<b>[132] Q8113</b>		
	Bearing .....	6207-J	<b>Transmission-Automatic</b>		
<b>1987-1984 New Process 208 w/Slip Yoke:</b>			<b>Front Pump</b>		
	Seal .....	18992	<b>1995-1989 E40D &amp; 4R100 Trans.:</b>		
	Bearing .....	■ 6207-NRJ	<b>Seal .....</b>		
<b>1987-1980 New Process 208 w/Conventional Yoke:</b>			<b>1996</b>		
	Seal .....	18687	<b>1995-1965 AOT, C4 &amp; C6 Trans.:</b>		
	Bearing .....	■ 6207-NRJ	<b>Seal .....</b>		
<b>1987-1980 Warner 1345:</b>			<b>19807</b>		
	Seal .....	18687	<b>(Speedi-Sleeve) .....</b>		
	Bearing .....	6207-ZNBRJ	<b>99199</b>		
<b>1979 New Process 203:</b>			<b>(Speedi-Sleeve/Seal Kit) .....</b>		
	Seal .....	21063	<b>480198</b>		
	(Speedi-Sleeve) .....	99212	<b>1967-1953 Cruise-O-Matic &amp; Ford-O-Matic Trans.:</b>		
	Bearing (Inner) .....	B3616	<b>Seal .....</b>		
	Bearing (Outer) .....	6307-NRJ	<b>19240</b>		
	Bearing (Pilot) .....	[15] QAR29523	<b>(Speedi-Sleeve) .....</b>		
<b>1979-1973 New Process 205:</b>			<b>99193</b>		
	Seal .....	21211	<b>Rear</b>		
	(Speedi-Sleeve) .....	99212	<b>1995-1973 C6 &amp; E40D Trans. w/2 W/D:</b>		
	Bearing (Inner) .....	B3216	<b>Seal .....</b>		
	Bearing (Outer) .....	6307-NRJ	<b>16725</b>		
	Bearing (Gear) .....	[64] QBR23549	<b>(Speedi-Sleeve) .....</b>		
<b>1978-1977 New Process 203:</b>			<b>99168</b>		
	Seal .....	21061	<b>(Speedi-Sleeve/Seal Kit) .....</b>		
	(Speedi-Sleeve) .....	99212	<b>480168</b>		
	Bearing (Inner) .....	B3616	<b>Seal &amp; Bushing Kit .....</b>		
	Bearing (Outer) .....	6307-NRJ	<b>16727</b>		
	Bearing (Pilot) .....	[15] QAR29523	<b>1993-1981 AOT Trans.:</b>		
<b>1976-1974 New Process 203:</b>			<b>Seal .....</b>		
	Seal .....	17523	<b>14978</b>		
	(Speedi-Sleeve) .....	99174	<b>(Speedi-Sleeve) .....</b>		
	Bearing (Inner) .....	B3616	<b>99149</b>		
	Bearing (Outer) .....	6307-NRJ	<b>(Speedi-Sleeve/Seal Kit) .....</b>		
	Bearing (Pilot) .....	[15] QAR29523	<b>480148</b>		
<b>1972-1959 Spicer 24:</b>			<b>1980-1968 C6 Trans. w/4 W/D:</b>		
	Seal .....	21108	<b>Seal .....</b>		
	(Speedi-Sleeve) .....	99212	<b>21213</b>		
	Bearing (Front) .....	6307-NRJ	<b>(Speedi-Sleeve) .....</b>		
	Bearing (Rear) .....	■ 6207-NRJ	<b>99212</b>		
			<b>Bearing .....</b>		
			<b>6307-NRJ</b>		
			<b>1979-1973 C4 Trans.:</b>		
			<b>Seal (w/o Boot) .....</b>		
			<b>14978</b>		
			<b>(Speedi-Sleeve) (w/o Boot) .....</b>		
			<b>99149</b>		
			<b>(Speedi-Sleeve)/Seal Kit (w/o Boot) .....</b>		
			<b>480148</b>		
			<b>Seal &amp; Bushing Kit (w/o Boot) .....</b>		
			<b>14982</b>		
			<b>Seal (w/Boot) .....</b>		
			<b>15005</b>		
			<b>(Speedi-Sleeve) (w/Boot) .....</b>		
			<b>99149</b>		
			<b>(Speedi-Sleeve)/Seal Kit (w/Boot) .....</b>		
			<b>480152</b>		
			<b>Bearing .....</b>		
			<b>■ 6207-NRJ</b>		
			<b>1972-1965 C4 Trans.:</b>		
			<b>Seal .....</b>		
			<b>17038</b>		
			<b>(Speedi-Sleeve) .....</b>		
			<b>99168</b>		
			<b>Bearing .....</b>		
			<b>■ 6207-NRJ</b>		
			<b>1967-1959 Cruise-O-Matic Exc. PAU-U &amp; PBV-N Trans.:</b>		
			<b>Seal .....</b>		
			<b>21213</b>		
			<b>(Speedi-Sleeve) .....</b>		
			<b>99212</b>		
			<b>Bearing .....</b>		
			<b>6307-NRJ</b>		
			<b>(Continued)</b>		

Ford Truck 3/4 ton, F250, F250(Super Duty), F2 series -- (Cont.)

MFG./YEAR	MODEL & LOCATION	PART NO.	MFG./YEAR	MODEL & LOCATION	PART NO.
<b>Transmission-Automatic (Cont.)</b>			<b>Transmission-Manual (Cont.)</b>		
<b>Rear (Cont.)</b>			<b>Fifth Speed Gear</b>		
1964-1959 Cruise-O-Matic w/PAU-U & PBV-N Trans.:			1995-1987 5 Spd. ZF Trans.:		
Seal		14978	Bearing		F209031
(Speedi-Sleeve)		99149	<b>First Speed Gear</b>		
(Speedi-Sleeve/Seal Kit)		480148	1995-1987 5 Spd. ZF Trans.:		
Bearing		6307-NRJ	Bearing		F206756
1963-1957 Transmatic Trans.:			<b>Front</b>		
Seal		25661	1995-1987 ZF S5-47 Trans.:		
(Speedi-Sleeve)		99256	Seal		13946
1958-1957 Ford-O-Matic Trans.:			(Speedi-Sleeve)		99139
Seal		14978	Bearing		BR28580/BR28521
Seal & Bushing Kit		14982	1993-1957 4 Spd. Warner Trans.:		
(Speedi-Sleeve)		99149	Seal		12363
(Speedi-Sleeve/Seal Kit)		480148	(Speedi-Sleeve)		99125
Bearing		6307-NRJ	Bearing		6308-NRJX
<b>Shift Shaft</b>			1992-1988 5 Spd. Toyo Kogyo Trans.:		
1995-1953 w/o AOT Trans.:			Seal		11612
Seal		7556	(Speedi-Sleeve)		99114
(Speedi-Sleeve)		99076	Bearing		BR55
1990-1981 AOT Trans.:			1990-1985 4 Spd. O/D Ford Trans. From 11/18/84:		
Seal (.375" Shaft)		3632	Seal		11111
Seal (.750" Shaft)		7556	(Speedi-Sleeve)		99112
(Speedi-Sleeve) (.750" Shaft)		99076	Bearing		6308-NJ
<b>Transmission</b>			1990-1980 3 Spd. Ford Trans.:		
<b>Kit</b>			Seal		11111
1995-1988 RWD, S5-42 Trans Mfr Code, 5 Speed;			(Speedi-Sleeve)		99112
Includes Mainshaft Needles:			Bearing		6208-NRJ
Light Duty Kit		STK300-ZF	1988-1965 4 Spd. New Process 435 Trans.:		
1995-1988 4WD, S5-42 Trans Mfr Code, 5 Speed;			Seal		13557
Includes Mainshaft Needles:			(Speedi-Sleeve)		99138
Light Duty Kit		STK300-ZF	Bearing		HM88649/HM88610
1992-1965 4WD, T-18 Trans Mfr Code, 4 Speed:			1985-1980 4 Spd. O/D Ford Trans. Thru 11/17/84:		
Light Duty Kit		STK82-F	Seal		11111
1992-1965 RWD, T-18 Trans Mfr Code, 4 Speed:			(Speedi-Sleeve)		99112
Light Duty Kit		STK82-F	Bearing		6308-VSP65
1989-1988 RWD, M5R2 Trans Mfr Code, 5 Speed; 42			1979-1978 4 Spd. O/D Ford Trans.:		
Tooth 5th Gear Synchro:			Seal		11123
Light Duty Kit		STK248	(Speedi-Sleeve)		99112
1989-1988 4WD, M5R2 Trans Mfr Code, 5 Speed; 42			Bearing		6308-VSP65
Tooth 5th Gear Synchro:			1979-1968 3 Spd. Ford Trans.:		
Light Duty Kit		STK248	Seal		11123
<b>Transmission-Manual</b>			(Speedi-Sleeve)		99112
<b>Countershaft</b>			Bearing		6208-NRJ
1993-1948 4 Spd. Warner Trans.:			1967-1965 3 Spd. Ford Trans.:		
Bearing		[88] C436-Q	Seal (1.125" Shaft)		11123
1992-1990 5 Spd. Toyo Kogyo Trans.:			(Speedi-Sleeve) (1.125" Shaft)		99112
Bearing (Center)		MR1207-EL	Seal (1.375" Shaft)		13534
Bearing (Rear)		6304-J	(Speedi-Sleeve) (1.375" Shaft)		99138
1990-1978 4 Spd. O/D Ford Trans.:			Bearing		6208-NRJ
Bearing		[42] QAR33724	1966-1957 3 Spd. Warner T-89 Trans.:		
1990-1957 3 Spd. Ford Trans.:			Bearing		6307-NRJ
Bearing		[50] C1086-Q	1964-1963 3 Spd. Ford Trans.:		
1988 5 Spd. Toyo Kogyo Trans.:			Seal		13534
Bearing (Front)		MR1205-EX	(Speedi-Sleeve)		99138
Bearing (Rear)		MR1207-EL	Bearing		6208-NRJ
1988-1965 4 Spd. New Process 435 Trans.:			1962-1957 3 Spd. Ford Trans.:		
Bearing (Front)		M24161-X1	Bearing		6207-NRJ
Bearing (Rear)		B3216	1952-1947 3 Spd. Trans.:		
Bearing (Thrust)		6206-ZJ	Seal		13568
			(Speedi-Sleeve)		99138
					(Continued)

# Passenger cars, light & medium trucks

## (Cont.) -- Ford Truck 3/4 ton, F250, F250(Super Duty), F2 series

MFG./YEAR	MODEL & LOCATION	PART NO.	MFG./YEAR	MODEL & LOCATION	PART NO.
<b>Transmission-Manual (Cont.)</b>			<b>Transmission-Manual (Cont.)</b>		
<b>Mainshaft Pilot</b>			<b>Rear (Cont.)</b>		
1993-1965	4 Spd. Warner T-18 & T-19 Trans.:		1988-1983	4 Spd. New Process 435 Trans.:	
	Bearing ..... [22]	C436-Q		Seal .....	16725
1990-1953	3 & 4 Spd. Ford Trans.:			Seal & Bushing Kit .....	16727
	Bearing ..... [15]	QBR23549		(Speedi-Sleeve) .....	99168
1988-1987	5 Spd. ZF Trans.:			(Speedi-Sleeve/Seal Kit) .....	480168
	Bearing .....	JH13349		Bearing .....	308-NRJ
1988-1965	4 Spd. New Process 435 Trans.:		1985-1978	4 Spd. O/D Ford Trans. Thru 11/17/84:	
	Bearing ..... [14]	Q15902		Seal .....	14978
	Bearing (Thrust) .....	FA35688		Seal & Bushing Kit .....	14982
1971-1956	3 Spd. Warner T-89 Trans.:			(Speedi-Sleeve) .....	99149
	Bearing ..... [14]	W1518-Q		(Speedi-Sleeve/Seal Kit) .....	480148
<b>Rear</b>				Bearing .....	6308-VSP65
1995-1987	5 Spd. ZF Trans. w/4 W/D:		1983-1979	4 Spd. Warner T-18 Trans. w/4 W/D:	
	Seal .....	15803		Seal .....	15773
	(Speedi-Sleeve) .....	99157		(Speedi-Sleeve) .....	99156
	Bearing .....	J28573/BR28521		Bearing .....	6308-VSP65
1995-1987	5 Spd. ZF Trans. w/2 W/D & Trans. Mounted Parking Brk:		1983-1974	4 Spd. Warner T-18 Trans. w/2 W/D:	
	Seal .....	15803		Seal .....	15041
	(Speedi-Sleeve) .....	99157		(Speedi-Sleeve) .....	99149
	Bearing .....	J28573/BR28521		(Speedi-Sleeve/Seal Kit) .....	480150
1995-1987	5 Spd. ZF Trans. w/2 W/D w/o Trans. Mounted Parking Brk.:			Bearing .....	6308-VSP65
	Seal .....	19601	1982-1980	4 Spd. New Process 435 Trans.:	
	(Speedi-Sleeve) .....	99196		Seal .....	14978
	Bearing .....	J28573/BR28521		Seal & Bushing Kit .....	14982
1993-1984	4 Spd. Warner T-18 Trans.:			(Speedi-Sleeve) .....	99149
	Seal .....	14978		(Speedi-Sleeve/Seal Kit) .....	480148
	(Speedi-Sleeve) .....	99149		Bearing .....	6308-VSP65
	(Speedi-Sleeve/Seal Kit) .....	480148	1979-1973	4 Spd. New Process 435 Trans. w/2 W/D:	
	Seal & Bushing Kit .....	14982		Seal .....	21211
	Bearing .....	6308-VSP65		(Speedi-Sleeve) .....	99212
1990-1988	5 Spd. Toyo Kogyo Trans.:			Bearing .....	6308-VSP65
	Seal .....	14900	1977-1973	4 Spd. New Process 435 Trans. w/4 W/D:	
	Bearing (Center) .....	BR69		Seal .....	24910
	Bearing (Rear) .....	6208-VSP37		(Speedi-Sleeve) .....	99250
1990-1985	4 Spd. O/D Ford Trans. From 11/18/84:			(Speedi-Sleeve/Seal Kit) .....	480250
	Seal .....	14978		Bearing .....	6308-VSP65
	Seal & Bushing Kit .....	14982	1975-1948	3 Spd. Warner Trans.:	
	(Speedi-Sleeve) .....	99149		Seal .....	21210
	(Speedi-Sleeve/Seal Kit) .....	480148		(Speedi-Sleeve) .....	99212
	Bearing .....	6308-NJ		Bearing .....	6307-NRJ
1990-1983	4 Spd. Warner T-19 Trans.:		1973-1948	4 Spd. Warner T-18 & T-98 Trans.:	
	Seal .....	14978		Seal .....	21210
	Seal & Bushing Kit .....	14982		(Speedi-Sleeve) .....	99212
	(Speedi-Sleeve) .....	99149		Bearing .....	6308-NRJ
	(Speedi-Sleeve/Seal Kit) .....	480148	1972-1965	4 Spd. New Process 435 Trans. w/2 W/D:	
	Bearing .....	308-NRJ		Seal .....	21211
1990-1973	3 Spd. Ford Trans.:			(Speedi-Sleeve) .....	99212
	Seal .....	14978		Bearing .....	308-NRJ
	(Speedi-Sleeve) .....	99149	1972-1965	4 Spd. New Process 435 Trans. w/4 W/D:	
	(Speedi-Sleeve/Seal Kit) .....	480148		Seal .....	15005
	Seal & Bushing Kit .....	14982		(Speedi-Sleeve) .....	99149
	Bearing .....	6207-NRJ		(Speedi-Sleeve/Seal Kit) .....	480152
1988-1987	5 Spd. ZF Trans. w/2 W/D:			Bearing .....	308-NRJ
	Seal .....	19601	1972-1964	3 Spd. Ford Trans.:	
	(Speedi-Sleeve) .....	99196		Seal .....	15005
	Bearing .....	J28573/BR28521		(Speedi-Sleeve) .....	99149
				(Speedi-Sleeve/Seal Kit) .....	480152
				Bearing .....	6207-NRJ
					(Continued)

**Ford Truck 3/4 ton, F250, F250(Super Duty), F2 series -- (Cont.)**

MFG./YEAR	MODEL & LOCATION	PART NO.	MFG./YEAR	MODEL & LOCATION	PART NO.
<b>Transmission-Manual (Cont.)</b>			<b>Drive Shaft</b>		
<b>Rear (Cont.)</b>			1995 2 W/D w/139" W.B., M50D Trans., 302 (5.0L), 351 (5.8L) & 445 (7.3L) Engs.:		
1963	3 Spd. Ford Trans. w/2 W/D:		Bearing & Support		HB88508-A
	Seal	15005	1995-1990 2 W/D w/155" W.B., M50D Trans. & 460 (7.5L) Eng.:		
	(Speedi-Sleeve)	99149	Bearing & Support		HB88508-A
	(Speedi-Sleeve/Seal Kit)	480152	1995-1955 1.378" Brg. I.D.:		
	Bearing	6207-NRJ	Bearing Only		BR88107
1963-1959	3 Spd. Ford Trans. w/4 W/D:		Bearing & Support		HB88107-A
	Seal	15005	1985-1984 2 W/D w/1.57" Brg. I.D.:		
	(Speedi-Sleeve)	99149	Bearing & Support		HB88508-A
	(Speedi-Sleeve/Seal Kit)	480152			
	Bearing	6306-NRJ			
<b>Reverse Gear</b>			<b>Engine</b>		
1988-1987	5 Spd. ZF Trans.:		<b>Crankshaft-Rear</b>		
	Bearing	F206756	1995-1994 446 (7.3L) Diesel Eng.:		
<b>Reverse Idler</b>			Seal		43767
1995-1987	ZF S5-47 Trans.:		1995-1993 351 (5.8L) Eng.:		
	Bearing	[2] F597071	Seal		37338
1993-1946	4 Spd. Warner Trans.:		1995-1986 460 (7.5L) Eng. From 7/2/86:		
	Bearing	[74] B1316-Q	Seal Kit		201
1990-1978	4 Spd. O/D Ford Trans.:		1995-1992 300 (4.9L) Eng. From 5/29/92:		
	Bearing	[44] C407-Q	Seal		37338
1972-1965	4 Spd. New Process 435 Trans.:		1995-1987 302 (5.0L) Eng. From 2/16/87:		
	Bearing	[68] C407-Q	Seal		36147
<b>Second Speed Gear</b>			(Speedi-Sleeve)		99362
1988-1987	5 Spd. ZF Trans.:		1994-1992 446 (7.3L) Diesel Eng. From 2/3/92:		
	Bearing	F206755	Seal (w/o O.E.M. Ring)		37405
1964-1948	4 Spd. Warner T-98 Trans.:		(Speedi-Sleeve) (w/o O.E.M. Ring)		99372
	Bearing	[34] Q6086	Seal (w/ O.E.M. Ring)		38649
<b>Shift Shaft</b>			(Speedi-Sleeve) (w/O.E.M. Ring)		99387
1983-1980	4 Spd. O/D Ford Trans.:		1993-1983 351 W (5.8L) Eng. From 7/11/83:		
	Seal	5510	Seal		37341
	(Speedi-Sleeve)	99056	(Speedi-Sleeve)		99372
<b>Third Speed Gear</b>			1992-1985 300 (4.9L) Eng. From 4/85 Thru 5/29/92:		
1988-1987	5 Spd. ZF Trans.:		Seal		37341
	Bearing	F206755	(Speedi-Sleeve)		99372
<b>Air Conditioning Compressor</b>			1992-1983 420 (6.9L) & 446 (7.3L) Diesel Engs. Thru 2/3/92:		
1995-1989	FX-15 Comp.:		Seal (w/o O.E.M. Ring)		37405
	Bearing	5106-WCC	(Speedi-Sleeve) (w/o O.E.M. Ring)		99372
1972-1969	All:		Seal (w/ O.E.M. Ring)		38649
	Bearing	5106-WCC	(Speedi-Sleeve) (w/O.E.M. Ring)		99387
<b>Alternator</b>			1987-1983 255 (4.2L) & 302 (5.0L) Engs. From 12/82 Thru 2/15/87:		
1992-1973	All:		Seal		36147
	Bearing (Front)	6203-2RSJ	(Speedi-Sleeve)		99362
	Bearing (Rear)	MNJ471-S	1986-1973 460 (7.5L) Eng. Thru 7/1/86:		
1972-1967	Ford 65 & 70 Amp.:		Seal (Rope)		196
	Bearing (Front)	6305-2RSJ	Seal (Rubber)		201
	Bearing (Rear)	MNJ471-S	1985-1965 240 (3.9L) & 300 (4.9L) Engs. Thru 3/85:		
1972-1963	Ford w/o 65 & 70 Amp.:		Seal		37340
	Bearing (Front)	6203-2RSJ	(Speedi-Sleeve)		99372
	Bearing (Rear)	MNJ471-S	1983-1972 255 (4.2L), 289 (4.8L) & 302 (5.0L) Engs. Thru 11/82:		
1972-1957	Leece Neville Exc. 100 & 105 Amp.:		Seal (Rope)		196
	Bearing (Front)	6304-2RSJ	Seal (Rubber)		205
	Bearing (Rear)	6203-2RSJ	1982-1977 351 M (5.8L) & 400 (6.6L) Engs. Thru 7/10/83:		
1971-1966	Leece Neville 105 Amp.:		Seal (Rope)		196
	Bearing (Front)	W6306-2RSJ	Seal (Rubber)		211
	Bearing (Rear)	W6205-2RSJ	1976-1967 352, 360 & 390 Engs.:		
1958-1957	Leece Neville 100 Amp.:		Seal (Rope)		196
	Bearing	[2] 6204-2RSJ			

(Continued)

# Passenger cars, light & medium trucks

## (Cont.) -- Ford Truck 3/4 ton, F250, F250(Super Duty), F2 series

MFG./YEAR	MODEL & LOCATION	PART NO.	MFG./YEAR	MODEL & LOCATION	PART NO.
<b>Engine (Cont.)</b>			<b>Generator</b>		
<b>Crankshaft-Rear (Cont.)</b>			1964-1948 Ford:		
1964-1954 223, 262, 272 & 292 Engs.:			Bearing (Front) ..... 6203-2RSJ		
Seal (Rope) ..... 196			Bearing (Rear) ..... 6200-2RSJ		
<b>Accessory Drive Belt Idler</b>			1963-1957 Autolite:		
1995-1988 4.6L, 5.4L, 6.8L & 7.3L Engs.:			Bearing (Front) ..... 6204-2RSJ		
Bearing (Pulley) ..... VKM900007			Bearing (Rear) ..... 6303-J		
<b>Timing Cover</b>			1960-1957 Bosch:		
1995-1994 446 (7.3L) Diesel Eng.:			Bearing (Front) ..... 6204-2RSJ		
Seal ..... 24984			Bearing (Rear) ..... 6204-2RSJ		
(Speedi-Sleeve) ..... 99250					
1995-1985 460 (7.5L) Eng. From 3/12/85:			<b>Steering-Power</b>		
Seal (Viton) ..... 18544			<b>Pump Shaft</b>		
Seal ..... 18548			1995-1965 All:		
(Speedi-Sleeve) ..... 99187			Seal ..... 6765		
(Speedi-Sleeve/Seal Kit) ..... 480185			1964-1961 All:		
1995-1979 255 (4.2L), 302 (5.0L) & 351 W (5.8L) Engs.:			Seal ..... 7465		
Seal (Viton) ..... 18544			1960-1954 All:		
Seal ..... 18548			Seal ..... 7440		
(Speedi-Sleeve) ..... 99187			<b>Worm Shaft</b>		
(Speedi-Sleeve/Seal Kit) ..... 480185			1994-1993 Thru 5/94:		
1995-1985 300 (4.9L) Eng. From 5/15/85:			Seal ..... 8178		
Seal (Viton) ..... 18544			1992-1968 Ford Gear:		
Seal ..... 18548			Seal ..... 8178		
(Speedi-Sleeve) ..... 99187			Bearing ..... FC65753		
(Speedi-Sleeve/Seal Kit) ..... 480185			<b>Steering-Standard</b>		
1994-1983 420 (6.9L) & 446 (7.3L) Diesel Engs.:			<b>Pitman Shaft</b>		
Seal ..... 24984			1995-1983 From 3/83:		
(Speedi-Sleeve) ..... 99250			Seal ..... 12695		
1985-1973 240 (3.9L) & 300 (4.9L) Engs. Thru 5/14/85:			1983-1980 Thru 2/83:		
Seal (Viton) ..... 18546			Seal ..... 11055		
Seal ..... 18562			1979-1973 2 W/D:		
(Speedi-Sleeve) ..... 99187			Seal ..... 11081		
(Speedi-Sleeve/Seal Kit) ..... 480186			Bearing ..... B1816		
1985-1973 460 (7.5L) Eng. Thru 3/11/85:			1977-1964 4 W/D:		
Seal (Viton) ..... 18546			Seal ..... 13537		
Seal ..... 18562			1966-1965 2 W/D w/2600 & 3000 lb. Axles:		
(Speedi-Sleeve) ..... 99187			Seal ..... 11081		
(Speedi-Sleeve/Seal Kit) ..... 480186			Bearing ..... B1816		
1982-1977 351 C & M (5.8L) & 400 (6.6L) Engs.:			1964-1961 2 W/D w/2600 lb. Axle:		
Seal (Viton) ..... 18544			Seal ..... 11081		
Seal ..... 18548			Bearing ..... B1816		
(Speedi-Sleeve) ..... 99187			1963 2 W/D w/3300 & 3500 lb. Axles From Ser. 380001:		
(Speedi-Sleeve/Seal Kit) ..... 480185			Seal ..... 13537		
1978-1961 8 Cyl. Eng. From Ser. 110001 Exc. 351, 400 & 460 Engs.:			1963-1961 2 W/D w/3000 & 3500 lb. Axles Thru Ser. 380000:		
Seal (Viton) ..... 18546			Seal ..... 12350		
(Speedi-Sleeve) ..... 99187			1963-1959 4 W/D:		
Seal ..... 18562			Seal ..... 12334		
(Speedi-Sleeve) ..... 99187			1960-1958 2 W/D w/Gemner Gear:		
(Speedi-Sleeve/Seal Kit) ..... 480186			Seal ..... 12334		
1972-1952 6 Cyl. Eng.:			1959 2 W/D w/Saginaw Gear:		
Seal (Viton) ..... 18546			Seal ..... 11065		
(Speedi-Sleeve) ..... 99187			1957-1948 All:		
Seal ..... 18562			Seal ..... 11081		
(Speedi-Sleeve) ..... 99187			<b>Worm Shaft</b>		
(Speedi-Sleeve/Seal Kit) ..... 480186			1995-1983 From 3/83:		
1961-1952 8 Cyl. Eng. Thru Ser. 110000:			Seal ..... ◇7210		
Seal (Viton) ..... 18546			(Superseded by:): ..... 7473		
(Speedi-Sleeve) ..... 99187			1975-1973 4 W/D:		
Seal ..... 18562			Seal ..... 8637		
(Speedi-Sleeve) ..... 99187					

**Ford Truck 1 ton, F350, F350(Super Duty), P350, F3 series, P3 series, F53, F59, Super Duty**

MFG./YEAR	MODEL & LOCATION	PART NO.	MFG./YEAR	MODEL & LOCATION	PART NO.
<b>Wheel Front (2 W/D)</b>			<b>Wheel Front (4 W/D) (Cont.)</b>		
<b>1995-1980 All:</b>			<b>Spindle Hub</b>		
	Seal .....	24017	<b>1995-1992 All:</b>		
	Bearing (Inner) .....	BR50		Seal (Inner) .....	14634
	(Set Components) .....	LM102949/LM102910		Seal (Outer) .....	21918
	Bearing (Outer) .....	BR15101/BR15245		Bearing .....	B2414
<b>1979-1975 F350 From Ser. V80001:</b>				Seal & Bearing Kit .....	BK6
	Seal .....	23300	<b>1991-1979 Spicer 50 &amp; 60 Axles:</b>		
	Bearing (Inner) .....	BR50		Seal .....	711822
	(Set Components) .....	LM102949/LM102910		(V-Ring) .....	400659
	Bearing (Outer) .....	BR15101/BR15245		Bearing .....	B2414
<b>1976-1957 P350:</b>				Seal & Bearing Kit .....	BK3
	Seal .....	20608	<b>1981 Spicer 44 Axle:</b>		
	Bearing (Inner) .....	BR35		Seal (Inner) .....	22311
	(Set Components) .....	LM501349/LM501310		Seal (Outer) .....	711818
	Bearing (Outer) .....	BR1380/BR1328		Bearing .....	B2110
<b>1975-1968 F350 Thru Ser. V80000:</b>				Seal & Bearing Kit .....	BK1
	Seal .....	20608	<b>Steering Knuckle</b>		
	Bearing (Inner) .....	BR35	<b>1988-1987 w/o 4.9L Eng.:</b>		
	(Set Components) .....	LM501349/LM501310		Bearing .....	BR23100/BR23256
	Bearing (Outer) .....	BR15101/BR15245	<b>1986-1979 All:</b>		
<b>1967-1957 F350:</b>				Bearing .....	BR23100/BR23256
	Seal .....	20608	<b>Wheel Rear</b>		
	Bearing (Inner) .....	BR35	<b>1995-1994 F350 From 4/94 w/o 330 (5.4L) Eng. &amp; Dana</b>		
	(Set Components) .....	LM501349/LM501310	<b>Axle:</b>		
	Bearing (Outer) .....	BR1380/BR1328		Scotseal .....	34387
<b>1956-1953 All:</b>				Scotseal Plus XL .....	34384
	Seal .....	18808		Seal & Bearing Kit .....	BR3992K
	Bearing (Inner) .....	BR2788/BR2726		Bearing (Inner) .....	BR3992/BR3920
	Bearing (Outer) .....	BR1380/BR1328		Bearing (Outer) .....	BR38
<b>1952-1948 F3 Series:</b>				(Set Components) .....	LM104949/LM104911
	Seal .....	17599	<b>1995-1992 F(Super Duty), F53 &amp; F59:</b>		
<b>1952-1948 P3 Series:</b>				Seal .....	32527
	Seal .....	18808		Bearing (Inner) .....	SET408
<b>Wheel Front (4 W/D)</b>				(Set Components) .....	BR39590/BR39520
<b>1995-1979 Spicer 50 &amp; 60 Axles:</b>				Bearing (Outer) .....	JLM506849/JLM506810
	Seal .....	27452	<b>1994-1985 F350 w/Ford Full-Floating Axle Thru 4/94:</b>		
	Bearing (Inner) .....	387-A/382-A		Scotseal .....	34387
	Bearing (Outer) .....	BR38		Scotseal Plus XL .....	34384
	(Set Components) .....	LM104949/LM104911		Seal & Bearing Kit .....	BR3992K
<b>1981 Spicer 44 Axle:</b>				Bearing (Inner) .....	BR3994/BR3920
	Seal .....	24917		Bearing (Outer) .....	BR38
	Bearing (Inner) .....	LM104949/JLM104910		(Set Components) .....	LM104949/LM104911
	Bearing (Outer) .....	BR35	<b>1994-1969 F350 &amp; P350 From Ser. F30001 w/Spicer</b>		
	(Set Components) .....	LM501349/LM501310	<b>Full-Floating Axle Over 5300 lbs.:</b>		
<b>Axle Shaft</b>				Seal .....	28720
<b>1995-1985 Spicer 60 Axle:</b>				Bearing (Inner) .....	387-AS/382-A
	Seal .....	15692		Bearing (Outer) .....	BR38
	(V-Ring) .....	400450		(Set Components) .....	LM104949/LM104911
<b>1986-1983 Spicer 44 &amp; 50 Axles:</b>			<b>1991 F(Super Duty) From 2/91:</b>		
	Seal (L.H.) .....	12925		Seal .....	32527
	Seal (R.H.) .....	14247		Bearing (Inner) .....	BR39585/BR39520
<b>1982-1980 Spicer 44 &amp; 50 Axles:</b>				Bearing (Outer) .....	368-A/362-A
	Seal (L.H.) .....	12925	<b>1991-1988 F(Super Duty) Thru 2/91:</b>		
	Seal (R.H.) .....	16735		Seal .....	32502
<b>1979 Spicer 60 Axle:</b>				Scotseal .....	32470
	Seal .....	15692		Bearing (Inner) .....	BR39585/BR39520
				Bearing (Outer) .....	368-A/362-A
					(Continued)

# Passenger cars, light & medium trucks

(Cont.) -- Ford Truck 1 ton, F350, F350(Super Duty), P350, F3 series, P3 series, F53, F59, Super Duty

MFG./YEAR	MODEL & LOCATION	PART NO.	MFG./YEAR	MODEL & LOCATION	PART NO.
<b>Wheel Rear (Cont.)</b>			<b>Pinion (Cont.)</b>		
1983	F350 w/Spicer Semi-Floating Axle:		<b>Front Axle (Cont.)</b>		
	Seal .....	17100	1985-1980	Spicer 50 Axle:	
	Bearing .....	R1561-TV		Seal .....	15788
	(Axle Repair Brg. Assy.) .....	• R1561-F		(Speedi-Sleeve) .....	99155
1979	F350 w/5300 lb. Spicer 60 Full-Floating Axle:			Bearing (Front) .....	HM88649/HM88610
	Seal .....	24917		Bearing (Rear) .....	BR02872/BR02820
	Bearing .....	[2] BR38	1981	Spicer 44 Axle:	
	(Set Components) .....	LM104949/LM104911		Seal .....	15788
1976-1969	P350 w/5000 lb. & 5200 lb. Axles From Ser. F30001:			(Speedi-Sleeve) .....	99155
	Seal .....	24917		Bearing (Front) .....	BR31594/BR31520
	Bearing .....	[2] BR38		Bearing (Rear) .....	BR02872/BR02820
	(Set Components) .....	LM104949/LM104911	<b>Rear Axle</b>		
1969-1967	F350 From Ser. A84001 Thru Ser. F30000:		1995-1988	F(Super Duty), F53 & F59:	
	Seal .....	28746		Seal .....	25140
	Bearing (Inner) .....	387-AS/382-A		(Speedi-Sleeve) .....	99250
	Bearing (Outer) .....	BR38		Bearing (Front) .....	M802048/M802011
	(Set Components) .....	LM104949/LM104911		Bearing (Rear) .....	HM807046/HM807010
1969-1967	P350 w/5000 lb. & 5200 lb. Axles Thru Ser. F30000:		1995-1986	F350:	
	Seal .....	23702		Seal .....	18024
	Bearing (Inner) .....	BR18790/BR18720		(Speedi-Sleeve) .....	99181
	Bearing (Outer) .....	BR25592/BR25520		Bearing (Front) .....	HM89443/HM89411
1969-1967	P350 w/7200 lb. & 7400 lb. Axles From Ser. A84001 Thru Ser. F30000:			Bearing (Rear) .....	HM807044/HM807010
	Seal .....	28746	1985-1980	Spicer 60 & 61 Axles:	
	Bearing (Inner) .....	387-AS/382-A		Seal .....	18891
	Bearing (Outer) .....	BR38		(Speedi-Sleeve) .....	99187
	(Set Components) .....	LM104949/LM104911		Bearing (Front) .....	HM88542/HM88510
1967-1957	P350 w/7200 lb. & 7400 lb. Axles Thru Ser. A84000:			Bearing (Rear) .....	HM803146/HM803110
	Seal .....	27452	1985-1980	Spicer 70 Axle w/3.50" O.D. Rr. Brg.:	
	Bearing (Inner) .....	387-A/382-A		Seal .....	18891
	Bearing (Outer) .....	368-A/362-A		(Speedi-Sleeve) .....	99187
	(Set Components) .....	LM104949/LM104911		Bearing (Front) .....	HM88542/HM88510
1967-1953	F350 Thru Ser. A84000:			Bearing (Rear) .....	HM803149/HM803110
	Seal .....	27452	1985-1980	Spicer 70 Axle w/4.125" O.D. Rr. Brg.:	
	Bearing (Inner) .....	387-A/382-A		Seal .....	18891
	Bearing (Outer) .....	368-A/362-A		(Speedi-Sleeve) .....	99187
	(Set Components) .....	LM104949/LM104911		Bearing (Front) .....	HM88542/HM88510
1966-1953	P350 w/5000 lb. & 5200 lb. Axles:			Bearing (Rear) .....	HM807040/HM807010
	Seal .....	23820	1979-1970	Spicer 70 Axle From Ser. G90001:	
	Bearing (Inner) .....	368-A/362-A		Seal .....	18891
	Bearing (Outer) .....	359-S/354-A		(Speedi-Sleeve) .....	99187
1952	F3 & P3 Series:			Bearing (Front) .....	HM88542/HM88510
	Seal .....	23755		Bearing (Rear) .....	HM807040/HM807010
1951	F3 & P3 Series:		1976-1970	Spicer 60 Axle From Ser. G90001:	
	Seal (Inner) .....	23755		Seal .....	18891
	Seal (Outer) .....	23820		(Speedi-Sleeve) .....	99187
1950-1948	F3 & P3 Series:			Bearing (Front) .....	HM88542/HM88510
	Seal .....	23820		Bearing (Rear) .....	HM803146/HM803110
<b>Pinion</b>			1970-1961	Spicer 70 Axle Thru Ser. G90000:	
<b>Front Axle</b>				Seal .....	18888
1995-1979	Spicer 60 Axle:			(Speedi-Sleeve) .....	99187
	Seal .....	18896		Bearing (Front) .....	HM88542/HM88510
	(Speedi-Sleeve) .....	99187		Bearing (Rear) .....	HM807040/HM807010
	Bearing (Front) .....	HM803146/HM803110	1970-1954	Spicer 60 Axle Thru Ser. G90000:	
	Bearing (Rear) .....	HM88542/HM88510		Seal .....	18888
				(Speedi-Sleeve) .....	99187
				Bearing (Front) .....	HM88542/HM88510
				Bearing (Rear) .....	HM803146/HM803110
			(Continued)		

**Ford Truck 1 ton, F350, F350(Super Duty), P350, F3 series, P3 series, F53, F59, Super Duty -- (Cont.)**

MFG./YEAR	MODEL & LOCATION	PART NO.	MFG./YEAR	MODEL & LOCATION	PART NO.
<b>Pinion (Cont.)</b>			<b>Differential (Cont.)</b>		
<b>Rear Axle (Cont.)</b>			<b>Rear Axle (Cont.)</b>		
1962-1959	Rockwell Std. B140 Axle:		1979-1961	Spicer 60 & 70 Axles:	
	Seal .....	21245		Bearing .....	[2] 387-A/382-S
	(Speedi-Sleeve) .....	99212	1962-1957	Rockwell Std. B100 & B140 Axles:	
	Bearing (Front) .....	HM89443/HM89410		Bearing (L.H.) .....	SET407
	Bearing (Rear) .....	HM807044/HM807010		(Set Components) .....	BR28682/BR28622
1958-1953	Rockwell Std. B100 Axle:			Bearing (R.H.) .....	387-A/BR382
	Seal .....	21213	<b>Clutch</b>		
	(Speedi-Sleeve) .....	99212	<b>Pilot</b>		
	Bearing (Front) .....	BR27875/BR27820	1995-1983	460 (7.5L) Eng.:	
1955-1953	Rockwell Std. B150 Axle:			Bearing .....	B66067
	Seal .....	12456	1995-1973	w/o 460 (7.5L) Eng.:	
	(Speedi-Sleeve) .....	99125		Bearing .....	N3058
	(Speedi-Sleeve/Seal Kit) .....	480125	1972-1964	All:	
1955-1952	Rockwell Std. A150 Axle:			Bearing (Bushing) .....	B50-HD
	Seal .....	18922	1963-1957	w/o Diesel Eng.:	
	(Speedi-Sleeve) .....	99187		Bearing .....	6203-ZJ
1950-1948	Rockwell Std. 53566 Axle:		<b>Release</b>		
	Seal .....	13738	1995-1991	5 Spd. Trans. w/7.3L & 7.5L Engs.:	
	(Speedi-Sleeve) .....	99138		Bearing Assembly .....	N4062
<b>Differential Kit</b>			1995-1993	5 Spd. Trans. w/o 7.3L & 7.5L Engs.:	
1995-1988	Dana 80 Axle:			Bearing Assembly .....	N4119
	Standard Seal and Bearing Kit Rear .....	SDK337	1993-1988	4 Spd. Trans.:	
1995-1985	10.25 " Ring Gear:			Bearing Assembly .....	N1714-SA
	Standard Seal and Bearing Kit Rear .....	SDK314	1992-1988	5 Spd. Trans. w/o 7.3L & 7.5L Engs.:	
	Master Seal and Bearing Kit Rear .....	SDK314-MK		Bearing Assembly .....	N4061
1995-1980	Dana 50 Axle:		1990-1987	5 Spd. Trans. w/6.9L, 7.3L & 7.5L Engs.:	
	Standard Seal and Bearing Kit Front .....	SDK336		Bearing Assembly .....	N4062
1995-1979	Dana 60 Axle:		1987-1983	w/o ZF Trans.:	
	Standard Seal and Bearing Kit Front .....	SDK331		Bearing Assembly .....	N1714
1995-1972	Dana 70HD Axle:			(Self-Aligning) .....	N1714-SA
	Standard Seal and Bearing Kit Rear .....	SDK332-HD	1982-1973	All:	
1995-1960	Dana 60/61 Axle:			Bearing Assembly .....	N1439
	Standard Seal and Bearing Kit Rear .....	SDK331	1972-1966	All:	
1985-1981	Dana 44 Axle:			Bearing Assembly .....	N1444
	Standard Seal and Bearing Kit Front .....	SDK339-B		(Self-Aligning) .....	N1444-SA
1983-1961	Dana 70 Axle:			(Heavy Duty) .....	N1439
	Standard Seal and Bearing Kit Rear .....	SDK332	1965	240 & 300 LD Engs.:	
<b>Front Axle</b>				Bearing Only .....	N1181
1995-1979	Spicer 60 Axle:		1965	352 Eng.:	
	Bearing .....	[2] 387-A/382-S		Bearing Assembly .....	N1444
1985-1983	Spicer 50 Axle From 3/83:			(Self-Aligning) .....	N1444-SA
	Bearing (Inner) .....	[2] JLM104948/LM104911-A		(Heavy Duty) .....	N1439
	Bearing (Outer) .....	R1563-TAV	1964	292 Eng.:	
1983-1980	Spicer 50 Axle Thru 2/83:			Bearing Only .....	N1181
	Bearing (Inner) .....	[2] JLM104948/LM104911-A	1964-1957	223 & 262 Engs.:	
	Bearing (Outer) .....	BR9		Bearing Only .....	N1087
1981	Spicer 44 Axle:			Bearing Assembly .....	N1425
	Bearing (Inner) .....	[2] BR25590/BR25523	1963-1957	All:	
	Bearing (Outer) .....	BR9		Bearing Only .....	N1613
<b>Rear Axle</b>			1956-1953	All:	
1995-1986	All:			Bearing Only .....	N1087
	Bearing .....	BR469/453-X		Bearing Assembly .....	N1425
1985-1980	Spicer 60, 70B & 70U Axles:		<b>Transfer Case Kit</b>		
	Bearing .....	[2] 387-A/382-S	1995-1987	1356 Manual Shift:	
1985-1980	Spicer 70 H.D. Axle:			Transfer Case Kit .....	STCK1356
	Bearing .....	[2] BR469/453-X	1987-1980	1345:	
				Transfer Case Kit .....	STCK1345
					(Continued)



# Passenger cars, light & medium trucks

(Cont.) -- Ford Truck 1 ton, F350, F350(Super Duty), P350, F3 series, P3 series, F53, F59, Super Duty

MFG./YEAR	MODEL & LOCATION	PART NO.	MFG./YEAR	MODEL & LOCATION	PART NO.
<b>Transfer Case (Cont.)</b>			<b>Transfer Case (Cont.)</b>		
<b>Kit (Cont.)</b>			<b>Mainshaft Pilot</b>		
1979-1971	205 Direct Mount:		1988-1987	Warner 1356:	
	Transfer Case Kit	STCK205-F		Bearing	JH13349
1977-1971	205 Remote Mount:		1986-1984	New Process 208:	
	Transfer Case Kit	STCK205-FA		Bearing	B2012
<b>Front Output Shaft</b>				Bearing (Thrust)	TC2435
1995-1987	Warner 1356:		1979	New Process 205:	
	Seal	18771		Bearing	[15] QAR29523
	(Speedi-Sleeve)	99187	<b>Oil Pump</b>		
	Bearing (Front)	6207-J	1986-1984	New Process 208:	
	Bearing (Rear)	B2012		Seal	22306
1987-1980	Warner 1345:			(Speedi-Sleeve)	99225
	Seal	18687	<b>Rear Output Shaft</b>		
	Bearing (Front)	6207-J	1995-1992	Warner 1356:	
	Bearing (Rear)	B2012		Seal	18507
1986-1984	New Process 208:			Bearing	6207-J
	Seal	18687	1991-1987	Warner 1356:	
	Bearing (Rear)	M24161-X1		Seal	18687
	Bearing (Thrust)	[2] NTA2840		Bearing	6207-J
1979	New Process 203:		1987-1984	New Process 208 w/Slip Yoke:	
	Seal	21203		Seal	18992
	(Speedi-Sleeve)	99212		Bearing	6207-NRJ
	Bearing (Front)	6307-NRJ	1987-1980	New Process 208 w/Conventional Yoke:	
	Bearing (Rear)	M28161		Seal	18687
1979	New Process 205:			Bearing	6207-NRJ
	Seal	21203	1987-1980	Warner 1345:	
	(Speedi-Sleeve)	99212		Seal	18687
	Bearing (Front)	6307-NRJ		Bearing	6207-J
	Bearing (Rear)	M28161	1979	New Process 203:	
	Bearing (Gear)	[64] QBR23549		Seal	21063
<b>Idler Shaft</b>				(Speedi-Sleeve)	99212
1979	New Process 203:			Bearing (Inner)	B3616
	Bearing	[72] QAR29523		Bearing (Outer)	6307-NRJ
1979	New Process 205:			Bearing (Pilot)	[15] QAR29523
	Bearing	[2] BR2793/BR2720	1979	New Process 205:	
<b>Input Shaft</b>				Seal	21203
1995-1987	Warner 1356:			(Speedi-Sleeve)	99212
	Seal	18771		Bearing (Inner)	B3216
	(Speedi-Sleeve)	99187		Bearing (Outer)	6307-NRJ
	Bearing	6010-J		Bearing (Gear)	[64] QBR23549
1987-1980	Warner 1345:		<b>Shift Shaft</b>		
	Seal	17502	1979	New Process 205:	
	(Speedi-Sleeve)	99174		Seal	7443
1986-1984	New Process 208:			(Speedi-Sleeve)	99076
	Seal	19255	<b>Side Gear</b>		
	(Speedi-Sleeve)	99193	1987-1980	Warner 1345:	
	Bearing	[2] B5020		Bearing	B2812
	Bearing (Thrust)	AXK5070	1986-1984	New Process 208:	
1979	New Process 203:			Bearing	[120] C1086-Q
	Seal	19255	1979	New Process 203:	
	(Speedi-Sleeve)	99193		Bearing (Gear)	[123] C1086-Q
	Bearing	[2] 210-NRJ		Bearing (Pinion)	[132] Q8113
1979	New Process 205:		<b>Transmission-Automatic</b>		
	Seal	21211	<b>Front Pump</b>		
	(Speedi-Sleeve)	99212	1995-1989	E40D Trans.:	
	Bearing	[2] 210-NRJ		Seal	19966

(Continued)

**Ford Truck 1 ton, F350, F350(Super Duty), P350, F3 series, P3 series, F53, F59, Super Duty -- (Cont.)**

MFG./YEAR	MODEL & LOCATION	PART NO.	MFG./YEAR	MODEL & LOCATION	PART NO.
<b>Transmission-Automatic (Cont.)</b>			<b>Transmission-Manual (Cont.)</b>		
<b>Front Pump (Cont.)</b>			<b>Countershaft (Cont.)</b>		
1995-1968	C6 Trans.:		1964-1957	P350 w/3 Spd. Ford Trans.:	
	Seal	19807		Bearing	[50] C1086-Q
	(Speedi-Sleeve)	99199			
	(Speedi-Sleeve/Seal Kit)	480198			
1967-1959	All:			<b>Fifth Speed Gear</b>	
	Seal	19240	1995-1987	5 Spd. ZF S5-47 Trans.:	
	(Speedi-Sleeve)	99193		Bearing	F209031
				<b>First Speed Gear</b>	
			1995-1987	5 Spd. ZF S5-47 Trans.:	
				Bearing	F206756
				<b>Front</b>	
			1995-1987	5 Spd. ZF S5-47 Trans. Exc. Super Duty:	
				Seal	13946
				(Speedi-Sleeve)	99139
				Bearing	BR28580/BR28521
			1995-1983	4 Spd. Warner T-18 Trans.:	
				Seal	12363
				(Speedi-Sleeve)	99125
				Bearing	6308-NRJ
			1987-1986	4 Spd. Warner T-19, E6T3-A & E7T3-A Trans.:	
				Seal	12363
				(Speedi-Sleeve)	99125
				Bearing	6308-NRJ
			1987-1965	4 Spd. New Process 435 Trans.:	
				Seal	13557
				(Speedi-Sleeve)	99138
				Bearing	HM88649/HM88610
			1986-1964	4 Spd. Warner T-19 Trans. Exc. '86 E6T3-A & E7T3-A:	
				Seal	12363
				(Speedi-Sleeve)	99125
				Bearing	6308-NRJX
			1983-1964	4 Spd. Warner T-18 Trans. Exc. '83 E3TA-A:	
				Seal	12363
				(Speedi-Sleeve)	99125
				Bearing	6308-NRJX
			1978-1973	5 Spd. Clark Trans.:	
				Seal	17386
				(Speedi-Sleeve)	99174
				Bearing	N6309-NRJ
			1975-1948	3 Spd. Warner T-87 & T-89 Trans.:	
				Bearing	6209-NRJ
			1972-1948	4 Spd. Warner T-98 Trans.:	
				Bearing	6308-NRJX
			1964-1963	P350 w/3 Spd. Ford Trans.:	
				Seal	13534
				(Speedi-Sleeve)	99138
				Bearing	■ 6208-NRJ
			1962-1957	P350 w/3 Spd. Ford Trans.:	
				Bearing	■ 6207-NRJ
				<b>Mainshaft Pilot</b>	
			1993-1964	4 Spd. Warner T-18 & T-19 Trans.:	
				Bearing	[22] C436-Q
			1988-1987	5 Spd. ZF Trans.:	
				Bearing	JH13349
			1987-1965	4 Spd. New Process 435 Trans.:	
				Bearing	[14] Q15902
				Bearing (Thrust)	FA35688
			1978-1973	5 Spd. Clark Trans.:	
				Bearing	SRA5304
					(Continued)

# Passenger cars, light & medium trucks

## (Cont.) -- Ford Truck 1 ton, F350, F350(Super Duty), P350, F3 series, P3 series, F53, F59, Super Duty

MFG./YEAR	MODEL & LOCATION	PART NO.	MFG./YEAR	MODEL & LOCATION	PART NO.
<b>Transmission-Manual (Cont.)</b>			<b>Transmission-Manual (Cont.)</b>		
<b>Mainshaft Pilot (Cont.)</b>			<b>Rear (Cont.)</b>		
1971-1956	3 Spd. Warner T-89 Trans.:		1978-1973	4 Spd. New Process 435 Trans.:	
	Bearing ..... [14]	W1518-Q		Seal .....	24910
1964-1953	P350 w/3 Spd. Ford Trans.:			(Speedi-Sleeve) .....	99250
	Bearing ..... [15]	QBR23549		(Speedi-Sleeve/Seal Kit) .....	480250
<b>Rear</b>				Bearing .....	6308-VSP65
1995-1980	4 Spd. Warner T-18 Trans. w/2 W/D:		1978-1973	5 Spd. Clark Trans.:	
	Seal .....	14978		Seal .....	24913
	(Speedi-Sleeve) .....	99149		(Speedi-Sleeve) .....	99250
	(Speedi-Sleeve/Seal Kit) .....	480148		Bearing .....	N6309-NRJ
	Seal & Bushing Kit .....	14982	1975-1948	3 Spd. Warner T-87 & T-89 Trans.:	
	Bearing .....	6308-VSP65		Seal .....	21210
1995-1987	5 Spd. ZF Trans. w/2 W/D w/o Trans. Mounted Parking Brk.:			(Speedi-Sleeve) .....	99212
	Seal .....	19601		Bearing .....	6307-NRJ
	(Speedi-Sleeve) .....	99196	1973-1957	4 Spd. Warner T-18 Trans.:	
	Bearing .....	J28573/BR28521		Seal .....	15005
1995-1987	5 Spd. ZF Trans. w/4 W/D:			(Speedi-Sleeve) .....	99149
	Seal .....	15803		(Speedi-Sleeve/Seal Kit) .....	480152
	(Speedi-Sleeve) .....	99157		Bearing .....	6308-NRJ
	Bearing .....	J28573/BR28521	1972-1965	4 Spd. New Process 435 Trans.:	
1995-1987	5 Spd. ZF Trans. w/2 W/D & Trans. Mounted Parking Brk.:			Seal .....	24910
	Seal .....	15803		(Speedi-Sleeve) .....	99250
	(Speedi-Sleeve) .....	99157		(Speedi-Sleeve/Seal Kit) .....	480250
	Bearing .....	J28573/BR28521		Bearing .....	308-NRJ
1990-1983	4 Spd. Warner T-19 Trans.:		1972-1948	4 Spd. Warner T-98 Trans.:	
	Seal .....	15041		Seal .....	21210
	(Speedi-Sleeve) .....	99149		(Speedi-Sleeve) .....	99212
	(Speedi-Sleeve/Seal Kit) .....	480150		Bearing .....	6308-NRJ
	Bearing .....	6308-NRJ	1964-1957	P350 w/3 Spd. Ford Trans.:	
1987-1979	4 Spd. New Process 435 Trans. w/4 W/D:			Seal .....	15005
	Seal .....	15005		(Speedi-Sleeve) .....	99149
	(Speedi-Sleeve) .....	99149		(Speedi-Sleeve/Seal Kit) .....	480152
	(Speedi-Sleeve/Seal Kit) .....	480152		Bearing .....	■ 6207-NRJ
	Bearing .....	308-NRJ	<b>Reverse Gear</b>		
1984-1980	4 Spd. Warner T-18 Trans. w/4 W/D:		1995-1987	5 Spd. ZF S5-47 Trans.:	
	Seal .....	15773		Bearing .....	F206756
	(Speedi-Sleeve) .....	99156	<b>Reverse Idler</b>		
	Bearing .....	6308-VSP65	1995-1987	5 Spd. ZF S5-47 Trans.:	
1982-1980	4 Spd. New Process 435 Trans. w/2 W/D:			Bearing .....	[2] F597071
	Seal .....	14978	1995-1957	4 Spd. Warner T-18 & T-19 Trans.:	
	Seal & Bushing Kit .....	14982		Bearing .....	[74] B1316-Q
	(Speedi-Sleeve) .....	99149	1978-1973	5 Spd. Clark Trans.:	
	(Speedi-Sleeve/Seal Kit) .....	480148		Bearing .....	[2] J36-1644
	Bearing .....	6308-VSP65	1972-1968	4 Spd. New Process 435 Trans.:	
1979	4 Spd. Warner T-18 Trans. w/4 W/D:			Bearing .....	[68] C407-Q
	Seal .....	15773	1972-1946	4 Spd. Warner T-98 Trans.:	
	(Speedi-Sleeve) .....	99156		Bearing .....	[74] B1316-Q
	Bearing .....	6308-NRJ	<b>Second Speed Gear</b>		
1979-1974	4 Spd. Warner T-18 Trans. w/2 W/D:		1995-1987	5 Spd. ZF S5-47 Trans.:	
	Seal .....	15041		Bearing .....	F206755
	(Speedi-Sleeve) .....	99149	1972-1948	4 Spd. Warner T-98 Trans.:	
	(Speedi-Sleeve/Seal Kit) .....	480150		Bearing .....	[34] Q6086
	Bearing .....	6308-NRJ	<b>Shift Shaft</b>		
1979-1973	4 Spd. Warner T-19 Trans.:		1975-1953	3 Spd. Warner T-87 Trans.:	
	Seal .....	24913		Seal .....	6130
	(Speedi-Sleeve) .....	99250		(Speedi-Sleeve) .....	99062
	Bearing .....	308-NRJ	1952-1948	All:	
				Seal .....	7464
				(Speedi-Sleeve) .....	99076
					(Continued)

**Ford Truck 1 ton, F350, F350(Super Duty), P350, F3 series, P3 series, F53, F59, Super Duty -- (Cont.)**

MFG./YEAR	MODEL & LOCATION	PART NO.	MFG./YEAR	MODEL & LOCATION	PART NO.
<b>Transmission-Manual (Cont.)</b>			<b>Engine (Cont.)</b>		
<b>Third Speed Gear</b>			<b>Crankshaft-Rear (Cont.)</b>		
1995-1987	5 Spd. ZF S5-47 Trans.:		1987-1983	420 (6.9L) Eng.:	
	Bearing .....	F206755		Seal (w/o O.E.M. Ring) .....	37405
<b>Air Conditioning Compressor</b>				(Speedi-Sleeve) (w/o O.E.M. Ring) .....	99372
1995-1989	FX-15 Comp.:			Seal (w/ O.E.M. Ring) .....	38649
	Bearing .....	5106-WCC		(Speedi-Sleeve) (w/O.E.M. Ring) .....	99387
1972-1969	All:		1986-1973	460 (7.5L) Eng. Thru 7/1/86:	
	Bearing .....	5106-WCC		Seal (Rope) .....	196
<b>Alternator</b>				Seal (Rubber) .....	201
1990-1973	Ford:		1985-1965	240 (3.9L) & 300 (4.9L) Engs. Thru 3/85:	
	Bearing (Front) .....	6203-2RSJ		Seal .....	37340
	Bearing (Rear) .....	MNJ471-S		(Speedi-Sleeve) .....	99372
1972-1967	Ford 65 & 70 Amp.:		1983-1977	351 M & W (5.8L) & 400 (6.6L) Engs. Thru 7/10/83:	
	Bearing (Front) .....	6305-2RSJ		Seal (Rope) .....	196
	Bearing (Rear) .....	MNJ471-S		Seal (Rubber) .....	211
1972-1963	Ford w/o 65 & 70 Amp.:		1976-1965	352, 360 & 390 Engs.:	
	Bearing (Front) .....	6203-2RSJ		Seal (Rope) .....	196
	Bearing (Rear) .....	MNJ471-S	1964-1956	272 & 292 Engs.:	
1972-1957	Leece Neville Exc. 100 & 105 Amp.:			Seal (Rope) .....	196
	Bearing (Front) .....	6304-2RSJ	1964-1954	223 & 262 Engs.:	
	Bearing (Rear) .....	6203-2RSJ		Seal (Rope) .....	196
1971-1966	Leece Neville 105 Amp.:		<b>Accessory Drive Belt Idler</b>		
	Bearing (Front) .....	W6306-2RSJ	1995-1988	5.4L, 6.8L & 7.3L Engs.:	
	Bearing (Rear) .....	W6205-2RSJ		Bearing (Pulley) .....	VKM900007
1958-1957	Leece Neville 100 Amp.:		<b>Timing Cover</b>		
	Bearing .....	[2] 6204-2RSJ	1995-1988	446 (7.3L) Diesel Eng.:	
<b>Drive Shaft</b>				Seal .....	24984
1995-1984	1.57" Brg. I.D.:			(Speedi-Sleeve) .....	99250
	Bearing & Support .....	HB88508-A	1995-1985	460 (7.5L) Eng. From 3/12/85:	
1995-1955	1.378" Brg. I.D.:			Seal (Viton) .....	18544
	Bearing Only .....	BR88107		Seal .....	18548
	Bearing & Support .....	HB88107-A		(Speedi-Sleeve) .....	99187
1973-1955	1.772" Brg. I.D.:			(Speedi-Sleeve/Seal Kit) .....	480185
	Bearing Only .....	BR88509	1995-1979	225 (3.7L), 302 (5.0L) & 351W (5.8L) Engs.:	
	Bearing & Support .....	HB88509		Seal (Viton) .....	18544
<b>Engine</b>				Seal .....	18548
<b>Crankshaft-Rear</b>				(Speedi-Sleeve) .....	99187
1995-1994	446 (7.3L) Diesel Eng. w/DI Turbo:			(Speedi-Sleeve/Seal Kit) .....	480185
	Seal .....	43767	1995-1985	300 (4.9L) Eng. From 5/15/85:	
1995-1986	460 (7.5L) Eng. From 7/2/86:			Seal (Viton) .....	18544
	Seal Kit .....	201		Seal .....	18548
1995-1992	300 (4.9L) Eng. From 5/29/92:			(Speedi-Sleeve) .....	99187
	Seal .....	37338		(Speedi-Sleeve/Seal Kit) .....	480185
1994-1992	446 (7.3L) Diesel w/IDI Non Turbo & Turbo From 2/3/92:		1987-1983	420 (6.9L) Eng.:	
	Seal .....	38649		Seal .....	24984
	(Speedi-Sleeve) .....	99387		(Speedi-Sleeve) .....	99250
1993-1983	351 W (5.8L) Eng. From 7/11/83:		1985-1973	240 (3.9L) & 300 (4.9L) Engs. Thru 5/14/85:	
	Seal .....	37341		Seal (Viton) .....	18546
	(Speedi-Sleeve) .....	99372		Seal .....	18562
1992-1988	446 (7.3L) Diesel Eng. Thru 2/3/92:			(Speedi-Sleeve) .....	99187
	Seal (w/o O.E.M. Ring) .....	37405		(Speedi-Sleeve/Seal Kit) .....	480186
	(Speedi-Sleeve) (w/o O.E.M. Ring) .....	99372	1985-1973	460 (7.5L) Eng. Thru 3/11/85:	
	Seal (w/ O.E.M. Ring) .....	38649		Seal (Viton) .....	18546
	(Speedi-Sleeve) (w/O.E.M. Ring) .....	99387		Seal .....	18562
1992-1985	300 (4.9L) Eng. From 4/85 Thru 5/29/92:			(Speedi-Sleeve) .....	99187
	Seal .....	37341		(Speedi-Sleeve/Seal Kit) .....	480186
	(Speedi-Sleeve) .....	99372			(Continued)

# Passenger cars, light & medium trucks

(Cont.) -- Ford Truck 1 ton, F350, F350(Super Duty), P350, F3 series, P3 series, F53, F59, Super Duty

MFG./YEAR	MODEL & LOCATION	PART NO.	MFG./YEAR	MODEL & LOCATION	PART NO.
<b>Engine (Cont.)</b>			<b>Steering-Power (Cont.)</b>		
<b>Timing Cover (Cont.)</b>			<b>Pump Shaft (Cont.)</b>		
1982-1977	351 C & M (5.8L) & 400 (6.6L) Engs.:		1960-1954	All:	
	Seal (Viton) .....	18544		Seal .....	7440
	Seal .....	18548	<b>Worm Shaft</b>		
	(Speedi-Sleeve) .....	99187	1995-1994	From 5/94:	
	(Speedi-Sleeve/Seal Kit) .....	480185		Bearing .....	FC65753
1976-1961	272, 292, 352, 360 & 390 Engs. From Ser. 110001:		1994-1993	Thru 5/94:	
	Seal (Viton) .....	18546		Seal .....	8178
	Seal .....	18562		Bearing .....	FC65753
	(Speedi-Sleeve) .....	99187	1992-1988	F350(Super Duty):	
	(Speedi-Sleeve/Seal Kit) .....	480186		Seal .....	8178
1972-1965	240 (3.9L) & 300 (4.9L) Engs.:			Bearing .....	FC65753
	Seal (Viton) .....	18546	<b>Steering-Standard</b>		
	Seal .....	18562	<b>Pitman Shaft</b>		
	(Speedi-Sleeve) .....	99187	1995-1983	From 3/83:	
	(Speedi-Sleeve/Seal Kit) .....	480186		Seal .....	12695
1966-1963	220 Dagenham Diesel Eng.:		1983-1980	Thru 2/83:	
	Seal .....	26191		Seal .....	11055
	(Speedi-Sleeve) .....	99262		Bearing .....	B1816
1964-1957	223 & 262 Engs.:		1979-1967	F350:	
	Seal (Viton) .....	18546		Seal .....	11081
	Seal .....	18562		Bearing .....	B1816
	(Speedi-Sleeve) .....	99187	1977-1957	P350:	
	(Speedi-Sleeve/Seal Kit) .....	480186		Seal .....	12334
1961-1956	272 & 292 Engs. Thru Ser. 110000:		1966-1963	F350 From Ser. 380001:	
	Seal (Viton) .....	18546		Seal .....	13537
	Seal .....	18562	1963-1961	F350 Thru Ser. 380000:	
	(Speedi-Sleeve) .....	99187		Seal .....	12350
	(Speedi-Sleeve/Seal Kit) .....	480186	1960-1953	F350 w/Gemner Gear:	
<b>Generator</b>				Seal .....	12334
1964-1948	Ford:		1959	F350 w/Saginaw Gear:	
	Bearing (Front) .....	6203-2RSJ		Seal .....	11065
	Bearing (Rear) .....	6200-2RSJ	1952-1948	F3 Series:	
1963-1957	Autolite:			Seal .....	11081
	Bearing (Front) .....	6204-2RSJ	1952-1948	P3 Series:	
	Bearing (Rear) .....	6303-J		Seal .....	12334
1960-1957	Bosch:		<b>Worm Shaft</b>		
	Bearing (Front) .....	6204-2RSJ	1995-1983	F350 From 3/83:	
	Bearing (Rear) .....	6204-2RSJ		Seal .....	◇7210
<b>Steering-Power</b>				(Superseded by):.....	7473
<b>Pump Shaft</b>					
1992-1968	All:				
	Seal .....	6765			
1967-1963	All:				
	Seal .....	7465			

## Passenger cars, light & medium trucks

### Ford Truck 1 1/2 ton, 2 1/2 ton, 400 series, 450 series, F450, F450(Super Duty), 500 series, 550 series, F550(Super Duty), 600 series, 700 series, 800 series

MFG./YEAR	MODEL & LOCATION	PART NO.	MFG./YEAR	MODEL & LOCATION	PART NO.
<b>Wheel Front (2 W/D)</b>			<b>Wheel Front (2 W/D) (Cont.)</b>		
1995-1992	10,000, 12,000 & 14,600 lb. Axles w/o Cargo & ABS:		1983-1980	LN600 & 700 Series w/7500 lb. Axle w/o Budd Whls.:	
	Seal .....	35062		Seal .....	34980
	Scotseal .....	35066		Scotseal .....	34975
	Scotseal Plus XL .....	35058		Scotseal Plus .....	34971
	Scotseal Longlife .....	35103		Bearing (Inner) .....	SET410
	Bearing (Inner) .....	SET439		(Set Components) .....	BR45284/BR45220
	(Set Components) .....	HM212049-X/HM212011		Bearing (Outer) .....	BR25880/BR25820
	Bearing (Outer) .....	SET406	1983-1980	LN600 & 700 Series w/7500 lb. Axle & Budd Whls.:	
	(Set Components) .....	BR3782/BR3720		Seal .....	35062
1995-1984	9,000 lb. Axle w/ABS:			Scotseal .....	35066
	Seal .....	34980		Scotseal Plus XL .....	35058
	Scotseal .....	34975		Scotseal Longlife .....	35103
	Scotseal Plus XL .....	34971		Bearing (Inner) .....	SET410
	Bearing (Inner) .....	BR39581/BR39520		(Set Components) .....	BR45284/BR45220
	Bearing (Outer) .....	BR3585/BR3525		Bearing (Outer) .....	BR25880/BR25820
1995-1992	7000, 8000 & 9000 lb. Axles w/15" X 4" Brks. w/o ABS:		1983-1978	5500 lb. Axle:	
	Seal .....	34980		Seal .....	27430
	Scotseal .....	34975		Bearing (Inner) .....	BR3778/BR3720
	Scotseal Plus XL .....	34971		Bearing (Outer) .....	BR25880/BR25820
	Bearing (Inner) .....	BR39581/BR39520	1977-1971	P500 From Ser. J70001:	
	Bearing (Outer) .....	BR3585/BR3525		Seal .....	22483
1995-1980	6000 lb., 7000 lb. & 7500 lb. Axles w/15" X 3" Disc Brks.:			Bearing (Inner) .....	BR25590/BR25520
	Seal .....	28830		Bearing (Outer) .....	14125-A/BR14274
	Scotseal .....	28832	1976-1957	P400:	
	Bearing (Inner) .....	SET410		Seal .....	20608
	(Set Components) .....	BR45284/BR45220		Bearing (Inner) .....	BR35
	Bearing (Outer) .....	BR25880/BR25820		(Set Components) .....	LM501349/LM501310
1991-1984	9500 lb., 10,000 lb., 10,800 lb. & 12,000 lb. Axles:			Bearing (Outer) .....	BR1380/BR1328
	Seal .....	35062	1971-1968	C550 w/6000 lb. Axle:	
	Scotseal .....	35066		Seal .....	28828
	Scotseal Plus XL .....	35058	1971-1963	P500 Thru Ser. J70000:	
	Scotseal Longlife .....	35103		Seal .....	22483
	Bearing (Inner) .....	SET412		Bearing (Inner) .....	BR25590/BR25520
	(Set Components) .....	HM212047/HM212011		Bearing (Outer) .....	BR6
	Bearing (Outer) .....	SET406		(Set Components) .....	LM67048/LM67010
	(Set Components) .....	BR3782/BR3720	1969-1963	B, F & N500 Thru Ser. F90000:	
1990-1988	F450 Series:			Seal .....	22483
	Seal .....	24017		Bearing (Inner) .....	BR25590/BR25520
	Bearing (Inner) .....	BR50		Bearing (Outer) .....	BR6
	(Set Components) .....	LM102949/LM102910		(Set Components) .....	LM67048/LM67010
	Bearing (Outer) .....	BR15101/BR15245	1963	C550:	
1989-1984	7500 lb. Axle w/Dayton 20" & 22" Spoke Whls. Exc. LN600 & 700 From 5/1/84:			Seal .....	26620
	Scotseal .....	34975		Bearing (Inner) .....	BR3778/BR3720
	Scotseal Plus .....	34971		Bearing (Outer) .....	BR25877/BR25820
	Bearing (Inner) .....	BR39581/BR39520	1962-1961	C550:	
	Bearing (Outer) .....	BR3585/BR3525		Seal .....	26620
1984-1980	7500 lb. Axle w/Dayton 20" & 22" Spoke Whls. Exc. LN600 & 700 Thru 5/1/84:			Bearing (Inner) .....	BR3778/BR3720
	Seal .....	34980		Bearing (Outer) .....	BR2790/BR2720
	Bearing (Inner) .....	BR39581/BR39520	1962-1957	B, F & P500:	
	Bearing (Outer) .....	BR3585/BR3525		Seal .....	22483
				Bearing (Inner) .....	BR25590/BR25522
				Bearing (Outer) .....	BR15106/15250-X
			1960-1957	C550:	
				Bearing (Inner) .....	BR3778/BR3720
				Bearing (Outer) .....	BR2790/BR2720
					(Continued)

# Passenger cars, light & medium trucks

(Cont.) -- Ford Truck 1 1/2 ton, 2 1/2 ton, 400 series, 450 series, F450, F450(Super Duty), 500 series, 550 series, F550(Super Duty), 600 series, 700 series, 800 series

MGF./YEAR	MODEL & LOCATION	PART NO.	MGF./YEAR	MODEL & LOCATION	PART NO.
<b>Wheel Front (2 W/D) (Cont.)</b>			<b>Wheel Rear (Cont.)</b>		
1956-1953	B, C, F & P500:		1992-1990	17,500, 18,000 & 19,000 lb. Axles w/15" X 7" & 16" X 7" Brks. Thru 5/92:	
	Seal .....	23130		Scotseal .....	38780
	Bearing (Inner) .....	BR25578/BR25522		Scotseal Plus XL .....	38776
	Bearing (Outer) .....	BR15106/15250-X		Bearing (Inner) .....	SET411
<b>Wheel Front (4 W/D)</b>				(Set Components) .....	BR47686/BR47620
1988-1984	6000 lb. & 7000 lb. Axles & Disc Brks.:			Bearing (Outer) .....	SET408
	Seal .....	28830		(Set Components) .....	BR39590/BR39520
	Scotseal .....	28832	1992-1968	15,000 lb. Axle From Ser. C70001 Thru 5/92:	
	Bearing (Inner) .....	SET410		Scotseal .....	34387
	(Set Components) .....	BR45284/BR45220		Scotseal Plus XL .....	34384
	Bearing (Outer) .....	BR25880/BR25820		Seal Kit .....	1307
1988-1984	9000 lb. Axle w/15" X 3.5", 15" X 4" Brks., Budd Whls. & Dayton 20" Spoke Whls.:			Bearing (Inner) .....	BR33287/BR33462
	Scotseal Plus .....	34971		Bearing (Outer) .....	BR3982/BR3920
	Bearing (Inner) .....	BR39581/BR39520	1991-1990	21,000 & 23,000 lb. Axles w/Gunite Whls.:	
	Bearing (Outer) .....	BR3585/BR3525		Scotseal .....	47697
<b>Wheel Rear</b>				Scotseal Plus XL .....	47692
1995-1992	21,000 lb., 22,000 lb., 23,000 lb. & 40,000 lb. Axles w/Dayton Whls. From 5/92:			Scotseal Longlife .....	47693
	Scotseal .....	47697		Bearing (Inner) .....	SET403
	Scotseal Plus XL .....	47692		(Set Components) .....	594-A/592-A
	Scotseal Longlife .....	47693		Bearing (Outer) .....	BR749/BR572
	Bearing (Inner) .....	SET403	1989-1980	18,500 & 19,000 lb. Axles w/o 15" X 6" Brks.:	
	(Set Components) .....	594-A/592-A		Scotseal .....	38780
	Bearing (Outer) .....	SET401		Scotseal Plus XL .....	38776
	(Set Components) .....	BR580/BR572		Bearing (Inner) .....	SET411
1995-1990	21,000 lb., 22,000 lb., 23,000 lb., 38,000 lb. & 44,000 lb. Axles w/Budd & ConMet Whls.:			(Set Components) .....	BR47686/BR47620
	Scotseal .....	47697		Bearing (Outer) .....	SET408
	Scotseal Plus XL .....	47692		(Set Components) .....	BR39590/BR39520
	Scotseal Longlife .....	47693	1986-1984	17,500 lb. Axle w/20" & 22" Spoke Whls.:	
	Bearing (Inner) .....	SET403		Scotseal .....	38780
	(Set Components) .....	594-A/592-A		Scotseal Plus XL .....	38776
	Bearing (Outer) .....	SET401		Bearing (Inner) .....	SET411
	(Set Components) .....	BR580/BR572		(Set Components) .....	BR47686/BR47620
1995-1992	15,000 lb. Axle w/8 Hole Disc Brks.:			Bearing (Outer) .....	SET408
	Bearing (Inner) .....	BR33287/BR33462	1985-1980	13,000 lb. Axle:	
	Bearing (Outer) .....	BR3982/BR3920		Seal .....	31307
1995-1992	15,000 lb. Axle w/6 Hole Disc Brks. From 5/92:			Bearing (Inner) .....	BR3984/BR3920
	Scotseal .....	34387		Bearing (Outer) .....	BR462/453-X
	Scotseal Plus XL .....	34384	1983-1973	17,500 lb. Axle:	
	Bearing (Inner) .....	BR33287/BR33462		Seal .....	39423
	Bearing (Outer) .....	BR3982/BR3920		Bearing (Inner) .....	495-AX/BR493
1995-1992	17,500, 18,000, 19,000 & 34,000 lb. Axles From 5/92:			Bearing (Outer) .....	SET408
	Scotseal .....	38780		(Set Components) .....	BR39590/BR39520
	Scotseal Plus XL .....	38776	1977-1957	11,000 & 13,000 lb. Axles:	
	Bearing (Inner) .....	SET411		Scotseal .....	31307
	(Set Components) .....	BR47686/BR47620		Seal Kit .....	1306
	Bearing (Outer) .....	SET408		Bearing (Inner) .....	BR3984/BR3920
	(Set Components) .....	BR39590/BR39520		Bearing (Outer) .....	BR462/453-X
1995-1990	21,000 & 38,000 lb. Axles w/Motor Whls.:		1976-1969	P400 From Ser. F30001:	
	Bearing (Inner) .....	SET404		Seal .....	28720
	(Set Components) .....	598-A/592-A		Bearing (Inner) .....	387-AS/382-A
	Bearing (Outer) .....	SET401		Bearing (Outer) .....	BR38
	(Set Components) .....	BR580/BR572		(Set Components) .....	LM10494/LM104911
			1969-1967	P400 From Ser. A84001 Thru F30000:	
				Seal .....	28746
				Bearing (Inner) .....	387-AS/382-A
				Bearing (Outer) .....	BR38
				(Set Components) .....	LM10494/LM104911
				(Continued)	

**Ford Truck 1 1/2 ton, 2 1/2 ton, 400 series, 450 series, F450, F450(Super Duty), 500 series, 550 series, F550(Super Duty), 600 series, 700 series, 800 series -- (Cont.)**

MFG./YEAR	MODEL & LOCATION	PART NO.	MFG./YEAR	MODEL & LOCATION	PART NO.
<b>Wheel Rear (Cont.)</b>			<b>Pinion (Cont.)</b>		
1968-1964	15,000 lb. Axle Thru Ser. C70000:		1995-1987	Rockwell Std. RS23240 Axle:	
	Scotseal .....	31307		Seal .....	30153
	Seal .....	31299		(Speedi-Sleeve) .....	99300
	Bearing (Inner) .....	BR33287/BR33462		Bearing (Front) .....	55206-C/BR55437
	Bearing (Outer) .....	BR3982/BR3920		Bearing (Rear) .....	78225-C/BR78551
1967-1964	P400 Thru Ser. A84000:		1995-1993	Rockwell Std. RS17145 Axle From 2/93:	
	Seal .....	27452		Seal .....	30153
	Bearing (Inner) .....	387-A/382-A		(Speedi-Sleeve) .....	99300
	Bearing (Outer) .....	BR38		Bearing (Front) .....	55206-C/BR55437
	(Set Components) .....	LM104949/LM104911		Bearing (Pilot) .....	RU1570-UM
1963-1957	C550 w/15,000 & 22,000 lb. Axles:			Bearing (Rear) .....	72212-C/BR72487
	Scotseal (Inner) .....	34387	1995-1992	Rockwell Std. RS19145 Axle:	
	Scotseal Plus XL .....	34384		Seal .....	30153
	Seal (Inner) .....	34383		(Speedi-Sleeve) .....	99300
	Bearing (Inner) .....	BR33287/BR33462		Bearing (Front) .....	55206-C/BR55437
	Bearing (Outer) .....	BR3982/BR3920		Bearing (Pilot) .....	RU1570-UM
1963-1957	P400:			Bearing (Rear) .....	72212-C/BR72487
	Seal .....	27452	1995-1990	Rockwell Std. RS23160 Axle From 5/90:	
	Bearing (Inner) .....	387-A/382-A		Seal .....	33254
	Bearing (Outer) .....	368-A/362-A		(Speedi-Sleeve) .....	99326
1963-1957	15,000 lb. Axle Exc. C550:			Bearing (Front) .....	HM813843/HM813810
	Scotseal (Inner) .....	34387		Bearing (Pilot) .....	MU1308-TV
	Scotseal Plus XL .....	34384		Bearing (Rear) .....	BR9278/BR9220
	Seal (Inner) .....	34383	1995-1987	Rockwell Std. RS21145 Axle:	
	Seal (Outer) .....	23870		Seal .....	30153
	Bearing (Inner) .....	BR33287/BR33462		(Speedi-Sleeve) .....	99300
	Bearing (Outer) .....	BR3982/BR3920		Bearing (Front) .....	55206-C/BR55437
1956-1953	B, C, F & N500:			Bearing (Pilot) .....	RU1570-UM
	Bearing (Inner) .....	BR3984/BR3920		Bearing (Rear) .....	72212-C/BR72487
<b>Pinion</b>			1995-1987	Rockwell Std. RS21230 Axle:	
1995-1992	Rockwell Std. RS19220 Axle:			Seal .....	25106
	Seal .....	25106		(Speedi-Sleeve) .....	99250
	(Speedi-Sleeve) .....	99250		Bearing (Front) .....	HM804846/HM804810
	Bearing (Front) .....	M804049/M804010		Bearing (Rear) .....	55200-C/BR55437
	Bearing (Pilot) .....	RU1570-UM	1993	Rockwell Std. RS17145 Axle Thru 2/93:	
	Bearing (Rear) .....	55200-C/BR55437		Seal .....	30153
1995-1992	Rockwell Std. RS23180 Axle:			(Speedi-Sleeve) .....	99300
	Seal .....	33254		Bearing (Front) .....	55206-C/BR55437
	(Speedi-Sleeve) .....	99326		Bearing (Pilot) .....	RU1570-UM
	Bearing (Front) .....	SET418		Bearing (Rear) .....	72212-C/BR72487
	(Set Components) .....	H715334/H715311	1992-1987	Rockwell Std. RS17140 & RS17220 Axles:	
	Bearing (Pilot) .....	MUB7309-UM		Seal .....	25106
	Bearing (Rear) .....	BR9278/BR9220		(Speedi-Sleeve) .....	99250
1995-1988	Rockwell Std. RS15210 Axle From 11/87:			Bearing (Front) .....	M804049/M804010
	Seal .....	25106		Bearing (Pilot) .....	RU1570-UM
	(Speedi-Sleeve) .....	99250		Bearing (Rear) .....	55200-C/BR55437
	Bearing (Front) .....	M804049/M804010	1991-1987	Rockwell Std. RS23180 Axle:	
	Bearing (Pilot) .....	MU1305UM18		Seal .....	33254
	Bearing (Rear) .....	55200-C/BR55437		(Speedi-Sleeve) .....	99326
1995-1987	Rockwell Std. RS13120 & RS15120 Axles:			Bearing (Front) .....	SET418
	Seal .....	25106		(Set Components) .....	H715334/H715311
	(Speedi-Sleeve) .....	99250		Bearing (Rear) .....	BR9278/BR9220
	Bearing (Front) .....	HM804846/HM804810			(Continued)
	Bearing (Pilot) .....	MU1305UM18			
	Bearing (Rear) .....	55200-C/BR55437			



## Passenger cars, light & medium trucks

(Cont.) -- Ford Truck 1 1/2 ton, 2 1/2 ton, 400 series, 450 series, F450, F450(Super Duty), 500 series, 550 series, F550(Super Duty), 600 series, 700 series, 800 series

MFG./YEAR	MODEL & LOCATION	PART NO.	MFG./YEAR	MODEL & LOCATION	PART NO.
<b>Pinion (Cont.)</b>			<b>Pinion (Cont.)</b>		
1990	Rockwell Std. RS23160 Axle Thru 5/90:		1986-1980	Spicer M185T, M190T, M220S & M220T Axles:	
	Seal	33254		Seal	30100
	(Speedi-Sleeve)	99326		(Speedi-Sleeve)	99300
	Bearing (Front)	HM813843/HM813810		Bearing (Front)	55200-C/BR55437
	Bearing (Pilot) (w/Snap Ring)	RU9008-UM		Bearing (Pilot)	MUS1308TM1
	Bearing (Rear)	BR9278/BR9220		Bearing (Rear)	72225-C/BR72487
1988-1987	Rockwell Std. RS15210 Axle Thru 11/87:		1986-1961	Eaton 1614 & 16244 Axles:	
	Seal	25106		Seal	26378
	(Speedi-Sleeve)	99250		(Speedi-Sleeve)	99262
	Bearing (Front)	M804049/M804010		Bearing (Rear)	55175-C/BR55437
	Bearing (Pilot)	MU1305UM18	1986-1955	Rockwell Std. D100 & D140 Axles:	
	Bearing (Rear)	55200-C/BR55437		Seal	21379
1988-1984	Rockwell Std. R170 Axle From 2/84:			(Speedi-Sleeve)	99212
	Seal	30144		Bearing (Pilot)	MU1305TM17
	(Speedi-Sleeve)	99300		Bearing (Rear)	BR44143/HM803110
	Bearing (Front)	SET418	1985-1980	B, C, F, L & LN 600 & 700 Series w/Dana	
	(Set Components)	H715334/H715311		M185T Axle:	
	Bearing (Pilot)	MU1309TM19		Seal	30100
	Bearing (Rear)	SET418		(Speedi-Sleeve)	99300
	(Set Components)	H715334/H715311		Bearing (Front)	55200-C/BR55437
1988-1980	Eaton 22121 & 22221 Axles:			Bearing (Pilot)	MUS1308TM1
	Bearing (Rear)	72200-C/BR72487		Bearing (Rear)	72225-C/BR72487
1988-1976	Eaton 23121 & 23221 Axles:		1985-1975	B & F 500; B, C, F & LN 600 & 700 Series	
	Seal	29471		w/Rockwell Std. F106 Axle Thru 4/85:	
	(Speedi-Sleeve)	99293		Seal	22619
	Bearing (Front)	72212-C/BR72487		(Speedi-Sleeve)	99225
	Bearing (Rear)	78215-C/BR78551		Bearing	[2] HM803149/HM803110
1988-1961	Eaton 17100, 17101, 17120, 17121, 17200, 17201, 17220, 17221, 17800, 17801, 18121, 18221, 22121, 22221 & 7800 Axles:			Bearing (Pilot)	MU1305UM18
	Seal	26378	1984-1973	Rockwell Std. R170 Axle Thru 2/84:	
	(Speedi-Sleeve)	99262		Seal	30057
	Bearing	[2] 55200-C/BR55437		(Speedi-Sleeve)	99300
	Bearing (Pilot)	MUS1307TM1		Bearing (Front)	SET418
1987-1986	B, C, F, L & LN 600 & 700 Series w/Dana			(Set Components)	H715334/H715311
	M185T Axle:			Bearing (Pilot)	MU1309TM19
	Bearing (Front)	55200-C/BR55437		Bearing (Rear)	SET419
	Bearing (Rear)	72225-C/BR72487		(Set Components)	H715334/H715311
1987-1975	B, C, F & LN 600 Series w/Rockwell Std. D140 Axle:		1977-1976	B, F & P500 w/Rockwell Std. D140 Axle From Ser. B000000:	
	Seal	21379		Seal	21379
	(Speedi-Sleeve)	99212		(Speedi-Sleeve)	99212
	Bearing (Front)	BR44143/BR44348		Bearing (Front)	BR44143/BR44348
	Bearing (Pilot)	MU1305TM17		Bearing (Pilot)	MU1305TM17
	Bearing (Rear)	HM803146/HM803110		Bearing (Rear)	HM803146/HM803110
1986-1985	B, C, CF, L & LN 600 & 700 w/Rockwell Std. F106 Axle From 4/85:		1977-1973	B & F500 w/Eaton 15201 Axle:	
	Seal	22619		Seal	22653
	(Speedi-Sleeve)	99225		(Speedi-Sleeve)	99225
	Bearing	[2] HM803149/HM803110		Bearing	[2] HM903249/HM903210
	Bearing (Pilot)	MU1305UM18		Bearing (Pilot)	MU1305TM17
1986-1980	Spicer G175T Axle:		1976-1975	B, F & P500 w/Rockwell Std. D140 Axle From Ser. W20001 Thru Ser. B00000:	
	Seal	30100		Seal	21213
	(Speedi-Sleeve)	99300		(Speedi-Sleeve)	99212
	Bearing	[2] 55200-C/BR55437		Bearing (Front)	BR44143/BR44348
	Bearing (Pilot)	MUS1307TM1		Bearing (Pilot)	MU1305TM17
				Bearing (Rear)	HM903244/HM903216

(Continued)

**Ford Truck 1 1/2 ton, 2 1/2 ton, 400 series, 450 series, F450, F450(Super Duty), 500 series, 550 series, F550(Super Duty), 600 series, 700 series, 800 series -- (Cont.)**

MFG./YEAR	MODEL & LOCATION	PART NO.
<b>Pinion (Cont.)</b>		
1976-1970	P400 w/Spicer 70B & 70HD Axles From Ser. G90001:	
	Seal .....	18891
	(Speedi-Sleeve) .....	99187
	Bearing (Front) .....	HM88542/HM88510
	Bearing (Rear) .....	HM807040/HM807010
1975	B, F & P500 Series w/Rockwell Std. D100 Axle:	
	Seal .....	21213
	(Speedi-Sleeve) .....	99212
	Bearing (Front) .....	BR44143/BR44348
	Bearing (Pilot) .....	MU1305TM17
	Bearing (Rear) .....	HM903244/HM903216
1975-1973	M450, B, F, M & P500 Series w/Rockwell Std. D140 Axle Thru Ser. W20000:	
	Seal .....	21213
	(Speedi-Sleeve) .....	99212
	Bearing (Front) .....	BR44143/BR44348
	Bearing (Pilot) .....	MU1305TM17
	Bearing (Rear) .....	HM903244/HM903210
1974-1973	M450, B, F, M & P500 Series w/Rockwell Std. D100 Axle:	
	Seal .....	21213
	(Speedi-Sleeve) .....	99212
	Bearing (Front) .....	BR44143/BR44348
	Bearing (Pilot) .....	MU1305TM17
	Bearing (Rear) .....	HM803146/HM803110
1974-1967	B, C, F & LN500 Series w/Rockwell Std. F106 Axle From Ser. B26001:	
	Seal .....	22425
	(Speedi-Sleeve) .....	99225
	Bearing .....	[2] HM903247/HM903216
	Bearing (Pilot) .....	MU1305UM18
1974-1957	M450, B, F, LN, M, N & P500 Series w/Rockwell Std. C100 Axle:	
	Seal .....	21213
	(Speedi-Sleeve) .....	99212
	Bearing (Front) .....	BR44143/BR44348
	Bearing (Pilot) .....	MU1305TM17
	Bearing (Rear) .....	M903345/M903310
1972	B, F & P500 Series w/Rockwell Std. D100 Axle From Ser. N80001:	
	Seal .....	21213
	(Speedi-Sleeve) .....	99212
	Bearing (Front) .....	BR44143/BR44348
	Bearing (Pilot) .....	MU1305TM17
	Bearing (Rear) .....	HM903244/HM903210
1972-1964	B, C, F & LN500 Series w/Eaton 15201 Axle:	
	Seal .....	22653
	(Speedi-Sleeve) .....	99225
	Bearing .....	[2] BR53176/BR53375
	Bearing (Pilot) .....	MU1305TM17
1972-1957	B, F, LN, P500 & C550 Series w/Rockwell Std. D100 Axle Thru Ser. N80000:	
	Seal .....	21213
	(Speedi-Sleeve) .....	99212
	Bearing (Front) .....	BR44143/BR44348
	Bearing (Pilot) .....	MU1305TM17

MFG./YEAR	MODEL & LOCATION	PART NO.
<b>Pinion (Cont.)</b>		
1970-1957	P400 w/Spicer 70B & 70HD Axles Thru Ser. G90000:	
	Seal .....	18888
	(Speedi-Sleeve) .....	99187
	Bearing (Front) .....	HM88542/HM88510
	Bearing (Rear) .....	HM807040/HM807010
1969-1957	B, F, N, P500 & C550 Series w/Eaton 1350 Axle:	
	Seal .....	22425
	(Speedi-Sleeve) .....	99225
	Bearing .....	[2] BR53176/BR53375
	Bearing (Pilot) .....	MU1305TM17
1967-1963	B, F, N500 & C550 Series w/Rockwell Std. F106 Axle Thru Ser. B26000:	
	Seal .....	22425
	(Speedi-Sleeve) .....	99225
	Bearing .....	[2] BR53176/BR53375
	Bearing (Pilot) .....	MU1305UM18
1963	B, N500 & C550 Series w/Eaton 13802 Axle:	
	Seal .....	22425
	(Speedi-Sleeve) .....	99225
	Bearing .....	[2] HM903249/HM903210
	Bearing (Pilot) .....	MU1305TM17
1962-1959	P400 w/Rockwell Std. B140 Axle:	
	Seal .....	21245
	(Speedi-Sleeve) .....	99212
	Bearing (Front) .....	HM89443/HM89410
	Bearing (Rear) .....	HM807044/HM807010
1958-1957	P400 w/Rockwell Std. B100 Axle:	
	Seal .....	21213
	(Speedi-Sleeve) .....	99212
	Bearing (Front) .....	BR27875/BR27820
<b>Electric Shift</b>		
1985-1974	Eaton 15201, 16244, 17201, 17221, 18221, 19221, 22221 & 23221 Axles w/Electric Shift:	
	Bearing .....	6200-ZNRJ
1973-1957	B, C & F500, 600, 700 & P500 Series w/Electric Shift:	
	Bearing .....	6200-ZNRJ
<b>Front Axle</b>		
1995	F450(Super Duty):	
	Seal .....	18896
	(Speedi-Sleeve) .....	99187
<b>Differential</b>		
<b>Rear Axle</b>		
1995-1993	Rockwell Std. RS17145 Axle:	
	Bearing .....	[2] JM716649/JM716610
1995-1990	Rockwell Std. RS23160 Non-Locking Axle From 5/90 Exc. Aluminum Carrier:	
	Bearing .....	SET403
	(Set Components) .....	594-A/592-A
1995-1989	Rockwell Std. RS21145 Non-Locking Axle:	
	Bearing .....	JM716649/JM716610
1995-1992	Rockwell Std. RS23180 Axle:	
	Bearing (L.H.) .....	SET403
	(Set Components) .....	594-A/592-A
	Bearing (R.H.) .....	JM822049/JM822010
		(Continued)

## Passenger cars, light & medium trucks

(Cont.) -- Ford Truck 1 1/2 ton, 2 1/2 ton, 400 series, 450 series, F450, F450(Super Duty), 500 series, 550 series, F550(Super Duty), 600 series, 700 series, 800 series

MFG./YEAR	MODEL & LOCATION	PART NO.	MFG./YEAR	MODEL & LOCATION	PART NO.
<b>Differential (Cont.)</b>			<b>Differential (Cont.)</b>		
<b>Rear Axle (Cont.)</b>			<b>Rear Axle (Cont.)</b>		
1995-1990	Rockwell Std. RS21145 Locking Axle From 9/89:		1987-1980	B, C, F, L & LN600 & 700 Series w/Dana M185T & M190T Axles:	
	Bearing (L.H.)	JM716649/JM716610		Bearing (L.H.)	JM822049/JM822010
1995-1990	Rockwell Std. RS23160 Locking Axle From 5/90:			Bearing (R.H.)	JM716649/JM716610
	Bearing (L.H.)	SET403	1986-1980	Spicer G175T Axle:	
	(Set Components)	594-A/592-A		Bearing (L.H.)	BR42381/BR42584
	Bearing (R.H.)	BR52400/BR52618		Bearing (R.H.)	BR495/BR493
1995-1990	Rockwell Std. RS23160 Non-Locking Axle From 5/90 w/Aluminum Carrier:		1986-1977	Rockwell Std. H172 & H173 Axles:	
	Bearing (L.H.)	SET403		Bearing	JLM714149/JLM714110
	(Set Components)	594-A/592-A	1986-1975	B, C, F & LN600 & 700 Series w/Rockwell Std. F106 Axle:	
	Bearing (R.H.)	BR52400/BR52618		Bearing	[2] BR3994/JM511910
1995-1990	Rockwell Std. RS23240 Axle:		1986-1973	M450 & B, F, M & P500, B, C, F & LN600 Series w/Rockwell Std. D140 Axle:	
	Bearing (R.H.)	JM716649/JM716610		Bearing	[2] BR3994/JM511910
1995-1987	Rockwell Std. RS13120 & RS15120 Axles:		1986-1963	B, C, F, LN & N500 & B, C, F, & LN600 & B700 Series w/Eaton 15201 Axle:	
	Bearing (L.H.)	BR3994/JM511910		Bearing (L.H.)	BR498/BR493
	Bearing (R.H.)	BR34306/BR34478		Bearing (R.H.)	BR33275/BR33472
1995-1987	Rockwell Std. RS15210 Axle:		1986-1961	Eaton 16220, 16221, 16244, 16802 & 16803 Axles:	
	Bearing (R.H.)	JLM714149/JLM714110		Bearing (L.H.)	BR42381/BR42584
1995-1987	Rockwell Std. RS17220 & RS19220 Axles:			Bearing (R.H.)	495-A/BR493
	Bearing (L.H.)	BR42381/BR42584	1977-1963	B, C, F, LN & N500 & C550 Series w/Rockwell Std. F106 Axle:	
	Bearing (R.H.)	JLM714149/JLM714110		Bearing	BR3994/BR3920
1995-1989	Rockwell Std. RS17140 & RS19145 Axles:		1976-1973	M450 & M500 w/Rockwell Std. D140 Axle:	
	Bearing	[2] JM716649/JM716610		Bearing	BR3994/JM511910
1995-1987	Rockwell Std. RS21230 Axle:		1976-1957	P500 w/Spicer 70 Axle:	
	Bearing (L.H.)	BR52400/BR52618		Bearing	387-A/382-S
	Bearing (R.H.)	JM716649/JM716610	1975-1974	B, F & P 500 Series w/Rockwell Std. D100 Axle & Carrier Stamped R-1188:	
1991-1987	Rockwell Std. RS23180 Axle:			Bearing	BR3994/JM511910
	Bearing (L.H.)	JHM720249/JHM720210	1974-1973	M450 & M500 w/Rockwell Std. C100 Axle:	
	Bearing (R.H.)	BR64450/BR64700		Bearing	BR395/394-AS
1988	Rockwell Std. RS21145 Non-Locking Axle:		1974-1973	M450 & M500 w/Rockwell Std. D100 Axle & Carrier Stamped D-394:	
	Bearing (L.H.)	JM716649/JM716610		Bearing (L.H.)	BR3994/JM511910
1988-1987	Rockwell Std. RS17140 Axle:			Bearing (R.H.)	BR395/394-AS
	Bearing (L.H.)	JM716649/JM716610	1974-1973	M450 & M500 w/Rockwell Std. D100 Axle & Carrier Stamped K-531:	
1988-1980	Eaton 23121 Axle:			Bearing (L.H.)	BR3994/BR3920
	Bearing (L.H.)	BR665/BR653		Bearing (R.H.)	BR395/394-AS
	Bearing (R.H.)	BR42381/BR42584	1974-1956	B, F & P500 Series w/Rockwell Std. D100 Axle & Carrier Stamped D-394:	
1988-1976	Eaton 23221 Axle w/Carrier 103537:			Bearing (L.H.)	BR3994/JM511910
	Bearing (L.H.)	BR68462/BR68712		Bearing (R.H.)	BR395/394-AS
	Bearing (R.H.)	BR42346/BR42584	1974-1953	B, F & P500 Series w/Rockwell Std. D100 Axle & Carrier Stamped K-531:	
1988-1976	Eaton 23221 Axle w/Carrier 27950:			Bearing (L.H.)	BR3994/BR3920
	Bearing (L.H.)	BR68450/BR68712		Bearing (R.H.)	BR395/394-AS
	Bearing (R.H.)	BR42346/BR42584	1972-1956	B, F, LN, N & P500 Series w/Rockwell Std. C100 Axle:	
1988-1973	Rockwell Std. R170 Axle:			Bearing	BR395/394-AS
	Bearing (L.H.)	BR52387/BR52618	1970-1953	LN & N500 & C550 Series w/Rockwell Std. D100 Axle:	
	Bearing (R.H.)	SET404		Bearing (L.H.)	BR3994/BR3920
	(Set Components)	598-A/592-A		Bearing (R.H.)	BR395/394-AS
1988-1964	Eaton 17100, 17101, 17120, 17121, 18121 & 22121 Axles:				(Continued)
	Bearing (L.H.)	SET425			
	(Set Components)	BR567/BR563			
	Bearing (R.H.)	BR497/BR493			
1988-1961	Eaton 17200, 17201, 17220, 17221, 17800, 17801, 18221, 22221 & 78003 Axles:				
	Bearing (L.H.)	BR56425/BR56650			
	Bearing (R.H.)	BR497/BR493			

## Passenger cars, light & medium trucks

### Ford Truck 1 1/2 ton, 2 1/2 ton, 400 series, 450 series, F450, F450(Super Duty), 500 series, 550 series, F550(Super Duty), 600 series, 700 series, 800 series -- (Cont.)

MFG./YEAR	MODEL & LOCATION	PART NO.	MFG./YEAR	MODEL & LOCATION	PART NO.
<b>Differential (Cont.)</b>			<b>Clutch (Cont.)</b>		
<b>Rear Axle (Cont.)</b>			<b>Pilot (Cont.)</b>		
1969-1953	B, F, N, P500 & C550 Series w/Eaton 1350 Axle:		1972-1965	F & N500 Series w/300 H.D. Eng.:	
	Bearing (L.H.)	BR498/BR493		Bearing	6005-2RSJ
	Bearing (R.H.)	BR33275/BR33472	1972-1964	B, C, F & N500 & C550 Series w/330 H.D., 361 & 391 Eng.:	
1963	B, C, F & N550 Series w/Eaton 13802 Axle:			Bearing	6205-2ZJ
	Bearing (L.H.)	BR498/BR493	1966-1964	B, C, F & N500 & C550 Series w/330 Med. Duty Eng.:	
	Bearing (R.H.)	BR33275/BR33472		Bearing	6005-2ZJ1
1962-1959	P400 w/Rockwell Std. B140 Axle:		1964-1957	B, F & N500 Series w/292 Eng.:	
	Bearing (L.H.)	SET407		Bearing	6205-ZJ
	(Set Components)	BR28682/BR28622	1964-1957	P400, B, F, N & P500 Series w/223, 240 & 262 Eng.:	
	Bearing (R.H.)	387-A/BR382		Bearing	6203-ZJ
1958-1957	P400 w/Rockwell Std. B100 Axle:		1964-1957	P400 & P500 w/292 Eng.:	
	Bearing (L.H.)	SET407		Bearing	6203-ZJ
	(Set Components)	BR28682/BR28622			
	Bearing (R.H.)	387-A/BR382			
<b>Clutch</b>			<b>Release</b>		
<b>Pilot</b>			1995-1993 600, 700 & 800 Series w/Gas Eng. & Dual Plate Clutch:		
1995-1990	600, 700 & 800 Series w/1.750" Input Sh.:			Bearing Assembly	N4017
	Bearing	6206-2RSJ	1995-1993	600, 700 & 800 Series w/Gas Eng. & Single Plate Clutch:	
1995-1993	600, 700 & 800 Series w/Diesel Eng. & 1.50" Input Sh.:			Bearing Assembly	N4158
	Bearing	6305-2RSJ	1995-1973	600, 700 & 800 Series w/Diesel Eng., 13" & 14" Single Plate Clutches:	
1995-1991	600, 700 & 800 Series w/Gas Eng. & 1.50" Input Sh.:			Bearing Only	N1743
	Bearing	6205-2RSJ		Bearing Assembly	◇ N1708
1995-1990	600, 700 & 800 Series w/1.375" Input Sh.:			(Superseded by:)	N1743
	Bearing	6005-2ZJ1	1992-1973	600, 700 & 800 Series w/Gas Eng. & Single Plate Clutch:	
1994-1990	429 & 445 Diesel Eng.:			Bearing Assembly	N1707
	Bearing	6305-2RSJ	1992-1973	600, 700 & 800 Series w/Gas Eng. & Dual Plate Clutch:	
1992-1986	600 & 700 Series w/5 Spd. Clark Trans.:			Bearing Assembly	N1059
	Bearing	6206-2RSJ	1991-1987	401 & 474 Turbo-Diesel Eng.:	
1992-1984	600 & 700 Series w/Diesel Eng.:			Bearing Only	N2256-N
	Bearing	6205-2ZJ		Bearing Assembly	◇ N1708
1991-1990	600 & 700 Series w/7.0L Eng.:			(Superseded by:)	N1743
	Bearing	6205-2ZJ	1990-1973	700 Series w/3208 Cat. Diesel Eng., Fuller RT-610 & RT-613 Trans., 13" & 14" Dual Plate Clutch:	
1991-1988	600 & 700 Series w/Diesel Eng. & 1.50" Input Sh.:			Bearing Only	N1743
	Bearing	6305-2RSJ		Bearing Assembly	N1709
1990-1989	600 & 700 Series w/6.6L & 7.8L Eng. & FS4005 Trans.:		1989-1980	500 Turbo-Diesel & Diesel Eng. w/14" Single Clutch Plate:	
	Bearing	6206-2RSJ		Bearing Only	N2256-N
1990-1973	600 & 700 Series w/359, 361, 389, 391 & 429 Gas Eng.:			Bearing Assembly	◇ N1708
	Bearing	6205-2ZJ		(Superseded by:)	N1743
1989-1979	600 & 700 Series w/370 Eng.:		1989-1968	636 Diesel Eng.:	
	Bearing	6005-2ZJ1		Bearing Only	N2256-N
1988-1973	600 & 700 Series w/401, 475, 477 & 534 Eng.:			Bearing Assembly	◇ N1708
	Bearing	6305-ZJ		(Superseded by:)	N1743
1981-1964	700 Series w/391 Eng.:		1977-1972	500 Series w/300 Eng. From Ser. M30001:	
	Bearing	6005-2ZJ1		Bearing Only	N1611
1979-1978	P600 Series w/Gas Eng. & Single Plate:			Bearing Assembly	N1706
	Bearing	6005-J	1977-1972	500 Series w/330 Eng. From Ser. M30001:	
1979-1973	600 Series w/300 Eng.:			Bearing Only	N1743
	Bearing	6005-2RSJ		Bearing Assembly	N1707
1972-1971	F500 Thru F700 Series w/330 Eng. From Vin. M30001:				(Continued)
	Bearing	6205-2ZJ			

## Passenger cars, light & medium trucks

(Cont.) -- Ford Truck 1 1/2 ton, 2 1/2 ton, 400 series, 450 series, F450, F450(Super Duty), 500 series, 550 series, F550(Super Duty), 600 series, 700 series, 800 series

MFG./YEAR	MODEL & LOCATION	PART NO.	MFG./YEAR	MODEL & LOCATION	PART NO.
<b>Clutch (Cont.)</b>			<b>Transmission-Manual</b>		
<b>Release (Cont.)</b>			<b>Auxiliary Shaft</b>		
1977-1965	P400 & P500 w/o 300, 330 & Diesel Eng.:		1990-1977	10 Spd. Fuller RT610 & RT6610 Trans.:	
	Bearing Assembly .....	N1444		Seal .....	34891
	(Self-Aligning) .....	N1444-SA		(Speedi-Sleeve) .....	99350
	(Heavy Duty) .....	N1439		Bearing (Pilot) .....	MU1307-X
1972-1964	500 & 550 Series Exc. 12" H.D. & 13" Clutch			Bearing (Rear) .....	212-NRJ
	From Ser. 530001 Thru Ser. M30000:		1989	9 Spd. Fuller RT8609 Trans.:	
	Bearing Only .....	N1611		Seal (3.500" O.D.) .....	34891
1972-1964	500 & 550 Series w/12" H.D. & 13" Clutch			(Speedi-Sleeve) (3.500" O.D.) .....	99350
	From Ser. 530001 Thru Ser. M30000:			Seal (3.750" O.D.) .....	37330
	Bearing Only .....	N1743		(Speedi-Sleeve) (3.750" O.D.) .....	99372
	Bearing Assembly .....	N1707		Bearing (Front) .....	MU1307-X
1971-1964	P400 w/Diesel Eng.:			Bearing (Rear) .....	212-NRJ
	Bearing Only .....	N1611	1989-1987	5 Spd. Fuller RT7608 Trans.:	
	Bearing Assembly .....	N1706		Bearing .....	A3071
1971-1957	P500 w/Diesel Eng.:		<b>Countershaft</b>		
	Bearing Only .....	N1611	1995-1987	5 Spd. Fuller FS5106, FS6105 & FS6205	
1964	F500 w/330 Eng. & 13" Clutch Thru Ser. 530000:			Trans.;	6 Spd. Fuller FS6206 Trans.:
	Bearing Only .....	N1611		Bearing (Front) .....	BR25590/BR25522
1964-1957	500 & 550 Series Exc. 330 Eng. Thru Ser. 530000:			Bearing (Rear) .....	SET406
	Bearing Only .....	N1611		(Set Components) .....	BR3782/BR3720
	Bearing Assembly .....	N1706	1995-1986	5 Spd. Clark CL450 Trans.:	
1963-1957	P400 w/Diesel Eng.:			Bearing (Front) .....	BR25877/BR25821
	Bearing Only .....	N1611		Bearing (Rear) .....	BR2689/BR2631
<b>Transmission-Automatic</b>			1994-1987	5 Spd. Fuller FS3005 & FS4005 Trans.:	
<b>Front Pump</b>				Bearing (Front) .....	BR25877/BR25821
1979-1968	All:			Bearing (Rear) .....	BR2689/BR2631
	Seal .....	19807	1992-1979	5 Spd. Spicer CM6052 Trans.:	
	(Speedi-Sleeve) .....	99199		Bearing (Front) .....	M804049/M804010
	(Speedi-Sleeve/Seal Kit) .....	480198		Bearing (Rear) .....	JLM506849/JLM506810
1967-1957	Cruise-O-Matic Trans.:		1991-1988	5 Spd. ZF Trans.:	
	Seal .....	19240		Bearing .....	BR2580/BR2520
	(Speedi-Sleeve) .....	99193	1990-1977	10 Spd. Fuller RT610 & RT6610 Trans.:	
<b>Rear</b>				Bearing (Front) .....	MU1207-GUV
1979-1973	C6 Trans.:			Bearing (Rear) .....	MU1306-GUV
	Seal .....	24910	1989-1987	8 Spd. Fuller RTF8608 Trans.:	
	(Speedi-Sleeve) .....	99250		Bearing (Pilot) .....	MS1309-REX
	(Speedi-Sleeve/Seal Kit) .....	480250	1989-1983	5 Spd. Spicer 5852 Trans.:	
	Bearing .....	6307-NRJ		Bearing (Front) .....	M1208-UV
1977-1957	Cruise-O-Matic Trans.:			Bearing (Rear) .....	308-ZNRJ
	Seal .....	21213	1989-1981	13 Spd. Fuller RT6613 Trans.:	
	(Speedi-Sleeve) .....	99212		Bearing (Front) .....	[2] MU1207-GUV
	Bearing .....	6307-NRJ		Bearing (Rear) .....	[2] 306-NJ
1963-1957	Transmatic Trans.:		1989-1980	5 Spd. Spicer 5052, 5252 & 5552 Trans.:	
	Seal .....	25661		Bearing .....	[2] BR25584/BR25520
	(Speedi-Sleeve) .....	99256	1987-1984	5 Spd. Clark 390, V5, 397V, CL550, 551 & 557	
<b>Shift Shaft</b>				Trans.:	
1979-1957	All:			Bearing (Front) .....	DD46386
	Seal .....	7556		Bearing (Rear) .....	MU1309-GUM
	(Speedi-Sleeve) .....	99076	1987-1984	5 Spd. Spicer CM4054D Trans.:	
				Bearing (Front) .....	BR5
				(Set Components) .....	LM48548/LM48510
				Bearing (Rear) .....	BR50
				(Set Components) .....	LM102949/LM102910
			1987-1979	5 Spd. Clark 280VHD, 282VHD, 285VHD & VHD2 Trans.:	
				Bearing (Front) .....	M28161
			1987-1966	5 Spd. New Process 541 & 542 Trans.:	
				Bearing (Front) .....	208-NRJ
				Bearing (Rear) .....	[28] Q15902
					(Continued)

**Ford Truck 1 1/2 ton, 2 1/2 ton, 400 series, 450 series, F450, F450(Super Duty), 500 series, 550 series, F550(Super Duty), 600 series, 700 series, 800 series -- (Cont.)**

MFG./YEAR	MODEL & LOCATION	PART NO.
<b>Transmission-Manual (Cont.)</b>		
<b>Countershaft (Cont.)</b>		
1987-1964	5 Spd. Clark H.D. 280V, 282V & 285V Trans.:	
	Bearing (Front) .....	M28161
	Bearing (Rear) .....	N6309-NRJ
1985-1984	5 Spd. Spicer CM40 Trans.:	
	Bearing .....	[2] J40-2464
1985-1983	5 Spd. Spicer CM5510 Trans.:	
	Bearing (Rear) .....	BR3877/BR3720
1983-1976	5 Spd. Clark 390, 397 & CL550 Trans.:	
	Bearing (Front) .....	DD46386
	Bearing (Rear) .....	MU1309-GUM
1982-1976	5 Spd. Spicer CM5052 & CM5252 Trans.:	
	Bearing .....	[2] BR25584/BR25520
1980	5 Spd. Fuller T905-A Trans.:	
	Bearing (Front) .....	[2] 211-NRJ
	Bearing (Rear) .....	[2] MU1308-TV
1979	5 Spd. Spicer 5652 & 5756 Trans.:	
	Bearing (Front) .....	M1208-UV
	Bearing (Rear) .....	308-ZNRJ
1977-1965	4 Spd. New Process 435 Trans.:	
	Bearing (Front) .....	M24161-X1
	Bearing (Rear) .....	B3216
	Bearing (Thrust) .....	FA35688
1977-1964	4 Spd. Warner T-18 & T-19 Trans.:	
	Bearing .....	[88] C436-Q
1975-1948	3 Spd. Warner T-87 Trans.:	
	Bearing .....	[2] J32-2080
1972-1957	5 Spd. Clark 250, 251, 262, 264 & 265 Trans.:	
	Bearing (Front) .....	M28161
	Bearing (Rear) .....	308-ZNRJ
1964-1948	4 Spd. Warner T-98 Trans.:	
	Bearing .....	[88] C436-Q
1962-1957	5 Spd. New Process 540 Trans.:	
	Bearing (Front) .....	207-NRJ
	Bearing (Rear) .....	B2816
<b>Fifth Speed Gear</b>		
1994-1988	5 Spd. Fuller FS4005 Trans.:	
	Bearing .....	FA35688
1990-1980	5 Spd. Clark CL450 & CL457 Trans.:	
	Bearing .....	FA35688
1990-1979	5 Spd. Clark 282V, 285V, 390V & 397V Trans.:	
	Bearing .....	FA35688
<b>First Speed Gear</b>		
1989-1984	5 Spd. Spicer CM4054D Trans.:	
	Bearing .....	F93290
1989-1977	5 Spd. Spicer CM6052A Trans.:	
	Bearing .....	F56619
1989-1976	5 Spd. Spicer CM5052 & CM5252 Trans.:	
	Bearing .....	F81205
1987-1984	5 Spd. Clark CL450 & CL455 Trans.:	
	Bearing .....	F94490
<b>Fourth Speed Gear</b>		
1994-1984	5 Spd. Clark CL450, CL457, Fuller FS4005 & FS5005 Trans.:	
	Bearing .....	F94488

MFG./YEAR	MODEL & LOCATION	PART NO.
<b>Transmission-Manual (Cont.)</b>		
<b>Front</b>		
1995-1987	5 Spd. Fuller FS5106 & FS6205; 6 Spd. Fuller FS6106 & FS6206 Trans.:	
	Bearing .....	SET408
	(Set Components) .....	BR39590/BR39520
1995-1981	13 Spd. Fuller RT6613 Trans.:	
	Seal .....	14832
	(Speedi-Sleeve) .....	99149
	Bearing .....	6209-ZNBRJ
1994-1986	5 Spd. Clark CL450 Trans.:	
	Seal .....	16247
	(Speedi-Sleeve) .....	99162
	Bearing .....	M802048/M802011
1992-1984	5 Spd. Clark 390, V5, 397V, CL550, 551 & 557 Trans.:	
	Seal .....	18555
	(Speedi-Sleeve) .....	99187
	Bearing .....	M804049/M804010
1991-1988	5 Spd. ZF Trans.:	
	Seal .....	13946
	(Speedi-Sleeve) .....	99139
	Bearing .....	BR28580/BR28521
1990-1987	5 Spd. Fuller FS3005 Trans.:	
	Bearing .....	M804049/M804010
1990-1977	10 Spd. Fuller RT610 & RT6610 Trans.:	
	Seal .....	14832
	(Speedi-Sleeve) .....	99149
	Bearing .....	6209-ZNBRJ
1989-1988	5 Spd. Fuller FS5005 Trans. w/1.625" Bore:	
	Seal .....	16247
	(Speedi-Sleeve) .....	99162
	Bearing .....	M802048/M802011
1989-1988	5 Spd. Fuller FS5005 Trans. w/1.875" Bore:	
	Seal .....	18555
	(Speedi-Sleeve) .....	99187
	Bearing .....	M804049/M804010
1989-1987	5 Spd. Fuller FS6106 Trans.:	
	Seal .....	20659
	(Speedi-Sleeve) .....	99205
1989-1987	5 Spd. Fuller FS6105 Trans.:	
	Seal .....	16247
	(Speedi-Sleeve) .....	99162
1989-1983	5 Spd. Spicer 5552 Trans. w/1.50" Sh.:	
	Seal .....	15005
	(Speedi-Sleeve) .....	99149
	Bearing .....	JM511946/JM511910
1989-1983	5 Spd. Spicer 5552 Trans. w/1.625" Sh.:	
	Seal .....	16085
	(Speedi-Sleeve) .....	99162
	Bearing .....	JM511946/JM511910
1989-1977	5 Spd. Spicer CM5052, CM5252 & CM6052A Trans.:	
	Seal .....	17810
	(Speedi-Sleeve) .....	99179
	Bearing .....	JM511946/JM511910

(Continued)

## Passenger cars, light & medium trucks

(Cont.) -- Ford Truck 1 1/2 ton, 2 1/2 ton, 400 series, 450 series, F450, F450(Super Duty), 500 series, 550 series, F550(Super Duty), 600 series, 700 series, 800 series

MFG./YEAR	MODEL & LOCATION	PART NO.	MFG./YEAR	MODEL & LOCATION	PART NO.
<b>Transmission-Manual (Cont.)</b>			<b>Transmission-Manual (Cont.)</b>		
<b>Front (Cont.)</b>			<b>Mainshaft Pilot (Cont.)</b>		
1987-1979	5 Spd. Clark 280VHD, 282VHD, 285VHD & VHD2 Trans.:		1990-1980	5 Spd. Clark 390, V5, 397V, CL550, 551 & 557 Trans.:	
	Seal .....	16247		Bearing .....	[14] QBR49845
	(Speedi-Sleeve) .....	99162	1990-1977	10 Spd. Fuller RT610 & RT6610 Trans.:	
	Bearing .....	M802048/M802011		Bearing .....	BS61
1987-1978	5 Spd. New Process 542, FD, FL & FO Trans.:		1989-1983	5 Spd. Spicer 5852 Trans.:	
	Bearing .....	211-ZNRJ		Bearing .....	0513-Q
1987-1968	5 Spd. Clark 280VO, 282V & 285V Trans.:		1987-1984	5 Spd. Spicer CM4054D Trans.:	
	Seal .....	17386		Bearing .....	SCE2420
	(Speedi-Sleeve) .....	99174	1987-1979	5 Spd. Clark 280VHD, 282VHD, 285VHD & VHD2 Trans.:	
	Bearing .....	N6309-NRJ		Bearing .....	[14] QBR49845
1983-1976	5 Spd. Clark 390, 397 & CL550 Trans.:		1987-1977	5 Spd. Spicer CM6052A Trans.:	
	Seal .....	16247		Bearing .....	BR25877/BR25821
	(Speedi-Sleeve) .....	99162	1987-1973	5 Spd. New Process 542, FD, FL & FO Trans.:	
	Bearing .....	M802048/M802011		Bearing .....	[14] Q15902
1980	5 Spd. Fuller T905-A Trans.:		1983-1976	5 Spd. Clark 390, 397 & CL550 Trans.:	
	Bearing .....	212-ZNBRJ		Bearing .....	[14] QBR49845
	Bearing (Center) .....	6018-NRJ	1982-1978	5 Spd. Clark 280VO, 282V & 285V H.D. Trans.:	
1979-1973	5 Spd. Spicer 5652 & 5756 Trans.:			Bearing .....	SRA5304
	Seal .....	16054	1982-1976	5 Spd. Spicer CM5052 & CM5252 Trans.:	
	(Speedi-Sleeve) .....	99162		Bearing .....	BR2580
	Bearing .....	213-ZNRJ	1979	5 Spd. Spicer 5652 & 5756 Trans.:	
1977-1966	5 Spd. New Process 541 & 542 Trans.:			Bearing .....	[14] 0513-Q
	Bearing .....	211-ZNRJ	1977-1966	5 Spd. New Process 541 & 542 Trans.:	
1977-1965	4 Spd. New Process 435 Trans.:			Bearing .....	[14] Q15902
	Seal .....	13557	1977-1965	4 Spd. New Process 435 Trans.:	
	(Speedi-Sleeve) .....	99138		Bearing .....	[14] Q15902
	Bearing .....	HM88649/HM88610		Bearing (Thrust) .....	FA35688
1977-1964	4 Spd. Warner T-18 & T-19 Trans.:		1977-1964	4 Spd. Warner T-18 & T-19 Trans.:	
	Seal .....	12363		Bearing .....	[22] C436-Q
	(Speedi-Sleeve) .....	99125	1977-1964	5 Spd. Clark 280V, 282V & 285V Trans.:	
	Bearing .....	6308-NRJX		Bearing .....	SRA5304
1977-1964	5 Spd. Clark 280V, 282V & 285V Trans.:		1972-1957	5 Spd. Clark 250, 251, 262, 264 & 265 Trans.:	
	Seal .....	17386		Bearing .....	J36-1644
	(Speedi-Sleeve) .....	99174	1971-1957	3 Spd. Warner T-89 Trans.:	
	Bearing .....	N6309-NRJ		Bearing .....	[14] W1518-Q
1975-1948	3 Spd. Warner T-87 Trans.:		1962-1957	5 Spd. New Process 540 Trans.:	
	Bearing .....	6209-NRJ		Bearing .....	[14] Q15902
1972-1957	5 Spd. Clark 250, 251, 262, 264 & 265 Trans.:		<b>Rear</b>		
	Seal .....	15508	1995-1987	5 Spd. Fuller FS3005 & FS4005 Trans.:	
	(Speedi-Sleeve) .....	99156		Seal .....	24910
	Bearing .....	211-ZNRJ		(Speedi-Sleeve) .....	99250
1971-1957	3 Spd. Warner T-89 Trans.:			Bearing .....	BR25581/BR25520
	Bearing .....	6307-NRJ	1995-1987	5 Spd. Fuller 5106, FS6105 & FS6205 Trans.;	
1964-1948	4 Spd. Warner T-98 Trans.:			6 Spd. Fuller FS6106 & FS6206 Trans.:	
	Bearing .....	6308-NRJX		Seal .....	27292
1962-1957	5 Spd. New Process 540 Trans.:			(Speedi-Sleeve) .....	99274
	Bearing .....	211-ZNRJ		Bearing .....	SET410
<b>Mainshaft Pilot</b>				(Set Components) .....	BR45284/BR45220
1995-1987	5 Spd. Fuller FS3005, FS4005, FS5005 & FS5205 Trans.:		1995-1981	13 Spd. Fuller RT6613 Trans.:	
	Bearing .....	QBR49845		Seal .....	30098
1995-1987	5 Spd. Fuller FS6005 & FS6105 Trans.:			(Speedi-Sleeve) .....	99300
	Bearing .....	SET408		Bearing .....	6017-NRJ
	(Set Components) .....	BR39590/BR39520	1995-1977	10 Spd. Fuller RT610 & RT6610 Trans.:	
1995-1986	5 Spd. Clark CL450 & CL455 Trans.:			Seal .....	30098
	Bearing .....	[14] QBR49845		(Speedi-Sleeve) .....	99300
1995-1981	13 Spd. Fuller RT6613 Trans.:			Bearing .....	6017-NRJ
	Bearing .....	BS61			(Continued)

## Passenger cars, light & medium trucks

### Ford Truck 1 1/2 ton, 2 1/2 ton, 400 series, 450 series, F450, F450(Super Duty), 500 series, 550 series, F550(Super Duty), 600 series, 700 series, 800 series -- (Cont.)

MFG./YEAR	MODEL & LOCATION	PART NO.	MFG./YEAR	MODEL & LOCATION	PART NO.
<b>Transmission-Manual (Cont.)</b>			<b>Transmission-Manual (Cont.)</b>		
<b>Rear (Cont.)</b>			<b>Rear (Cont.)</b>		
1992-1986	5 Spd. Clark CL450 Trans.:		1986-1980	5 Spd. Spicer 6052 Trans.:	
	Seal ..... 24910			Seal ..... 27292	
	(Speedi-Sleeve) ..... 99250			(Speedi-Sleeve) ..... 99274	
	Bearing ..... BR25581/BR25520			Bearing ..... BR3979/JM511910	
1990-1984	5 Spd. Clark 390, V5, 397V, CL550, 551 & 557 Trans.:		1986-1980	5 Spd. Spicer 5052 & 5252 Trans.:	
	Seal ..... 27292			Seal ..... 24911	
	(Speedi-Sleeve) ..... 99274			(Speedi-Sleeve) ..... 99250	
	Bearing ..... BR28580/28527-RB			Bearing ..... JM511946/JM511910	
1990-1977	5 Spd. Spicer CM6052A Trans.:		1985-1984	4 Spd. Warner T-19 Trans. w/28 Spline:	
	Seal ..... 27292			Seal (1.754" O.D.) ..... 14978	
	(Speedi-Sleeve) ..... 99274			Seal & Bushing Kit ..... 14982	
	Bearing ..... JM511946			Bearing ..... 6308-VSP65	
1989-1988	5 Spd. Fuller FS5005 Trans.:		1985-1984	5 Spd. Spicer CM40 Trans.:	
	Seal ..... 24910			Bearing ..... 209-ZNRJ	
	(Speedi-Sleeve) ..... 99250		1983-1976	5 Spd. Clark 390, 397 & CL550 Trans.:	
1989-1987	5 Spd. Fuller FS6106 Trans.:			Seal ..... 27292	
	Seal ..... 27365			(Speedi-Sleeve) ..... 99274	
	(Speedi-Sleeve) ..... 99274			Bearing ..... BR28580/28527-RB	
1989-1984	5 Spd. Spicer 4054 & 4054D Trans.:		1980	5 Spd. Fuller T905-A Trans.:	
	Seal ..... 27293			Seal ..... 34891	
	(Speedi-Sleeve) ..... 99274			(Speedi-Sleeve) ..... 99350	
	Bearing ..... 6211-ZNRJ			(Speedi-Sleeve/Seal Kit) ..... 480325	
1989-1983	5 Spd. Spicer 5552 Trans.:			Bearing ..... 6213-J	
	Seal (3.256" O.D.) ..... 24910		1979-1973	5 Spd. Spicer 5652 & 5756 Trans.:	
	(Speedi-Sleeve) (3.256" O.D.) ..... 99250			Seal ..... 24911	
	Seal (3.548" O.D.) ..... 27558			(Speedi-Sleeve) ..... 99250	
	(Speedi-Sleeve) (3.548" O.D.) ..... 99274			Bearing ..... 310-NRJ	
	Seal (3.756" O.D.) ..... 27370		1977-1973	P400 & P500 w/4 Spd. New Process 435 Trans.:	
	(Speedi-Sleeve) (3.756" O.D.) ..... 99274			Seal ..... 24910	
	Bearing ..... JM511946/JM511910			(Speedi-Sleeve) ..... 99250	
1989-1983	5 Spd. Spicer 5852 Trans.:			(Speedi-Sleeve/Seal Kit) ..... 480250	
	Seal ..... 24911			Bearing ..... 6308-VSP65	
	(Speedi-Sleeve) ..... 99250		1977-1970	5 Spd. New Process 542 Trans.:	
	Bearing ..... 311-NRJ			Seal ..... 24910	
1987-1983	4 Spd. New Process 435 Trans.:			(Speedi-Sleeve) ..... 99250	
	Seal (2.506" O.D.) ..... 16725			(Speedi-Sleeve/Seal Kit) ..... 480250	
	Seal & Bushing Kit ..... 16727			Bearing ..... 6309-NRJ	
	Bearing ..... 308-NRJ		1977-1968	4 Spd. Warner T-19 Trans.:	
1987-1980	5 Spd. Clark H.D. 280VO, 282V & 285V Trans.:			Seal ..... 24910	
	Seal ..... 24910			(Speedi-Sleeve) ..... 99250	
	(Speedi-Sleeve) ..... 99250			(Speedi-Sleeve/Seal Kit) ..... 480250	
	Bearing ..... N6309-NRJ			Bearing ..... 308-NRJ	
1987-1979	5 Spd. Clark 280VHD, 282VHD, 285VHD & VHD2 Trans.:		1977-1965	4 Spd. New Process 435 Trans. Exc. P400 & P500:	
	Seal ..... 24910			Seal ..... 24910	
	(Speedi-Sleeve) ..... 99250			(Speedi-Sleeve) ..... 99250	
	Bearing ..... BR25584/25547-RB			(Speedi-Sleeve/Seal Kit) ..... 480250	
1987-1973	5 Spd. New Process 542, FD, FL & FO Trans.:			Bearing ..... 308-NRJ	
	Seal ..... 24910		1977-1964	4 Spd. Warner T-18 Trans.:	
	(Speedi-Sleeve) ..... 99250			Seal ..... 15005	
	Bearing ..... 6309-NRJ			(Speedi-Sleeve) ..... 99149	
1986-1981	4 Spd Warner T-19D Trans. w/35 Spline Diesel Eng.:			(Speedi-Sleeve/Seal Kit) ..... 480152	
	Seal (3.256" O.D.) ..... 24910			Bearing ..... 6308-NRJ	
	(Speedi-Sleeve) (3.256" O.D.) ..... 99250			(Continued)	
	Bearing ..... M802048/M802011				



## Passenger cars, light & medium trucks

(Cont.) -- Ford Truck 1 1/2 ton, 2 1/2 ton, 400 series, 450 series, F450, F450(Super Duty), 500 series, 550 series, F550(Super Duty), 600 series, 700 series, 800 series

MFG./YEAR	MODEL & LOCATION	PART NO.	MFG./YEAR	MODEL & LOCATION	PART NO.
<b>Transmission-Manual (Cont.)</b>			<b>Transmission-Manual (Cont.)</b>		
<b>Rear (Cont.)</b>			<b>Reverse Gear (Cont.)</b>		
1977-1964	5 Spd. Clark 262, 264, 265, 282V & 285V Trans.:		1990-1979	5 Spd. Clark CL551, CL557, CL558, 285V, 390V & 397V Trans.:	
	Seal .....	24910		Bearing .....	[96] QA48181
	(Speedi-Sleeve) .....	99250	1988	5 Spd. ZF Trans.:	
	(Speedi-Sleeve/Seal Kit) .....	480250		Bearing .....	F206756
	Bearing .....	N6309-NRJ	1987-1984	5 Spd. Spicer CM4054D Trans.:	
1975-1957	3 Spd. Warner T-87 & T-89 Trans.:			Bearing .....	F93290
	Seal .....	21210	1987-1977	5 Spd. Spicer CM6052A Trans.:	
	(Speedi-Sleeve) .....	99212		Bearing .....	F56619
	Bearing .....	6307-NRJ	1982-1976	5 Spd. Spicer CM5052 & CM5252 Trans.:	
1972-1965	P400 & P500 w/4 Spd. New Process 435 Trans.:			Bearing .....	F81205
	Seal .....	15005	<b>Reverse Idler</b>		
	(Speedi-Sleeve) .....	99149	1995-1988	5 Spd. Fuller FS4005 & FS5005 Trans.:	
	(Speedi-Sleeve/Seal Kit) .....	480152		Bearing .....	[52] QA47838
	Bearing .....	6308-NRJ	1994-1984	5 Spd. Clark CL450, CL455 & CL457 Trans.:	
1972-1957	5 Spd. Clark 250 & 251 Trans.:			Bearing .....	[52] QA48181
	Seal .....	24910	1990-1980	5 Spd. Clark CL551, CL557, 390V & 397V Trans.:	
	(Speedi-Sleeve) .....	99250		Bearing .....	[52] QA47838
	(Speedi-Sleeve/Seal Kit) .....	480250	1990-1977	10 Spd. Fuller RT610 & RT6610 Trans.:	
	Bearing .....	6309-NRJ		Bearing .....	[2] WJ162116
1969-1966	5 Spd. New Process 541 Trans.:		1989	9 Spd. Fuller RT8609 Trans.:	
	Seal .....	24910		Bearing .....	[2] WJ162116
	(Speedi-Sleeve) .....	99250	1989-1987	8 Spd. Fuller RT7608 Trans.:	
	(Speedi-Sleeve/Seal Kit) .....	480250		Bearing .....	[2] WJ162116
	Bearing .....	308-NRJ	1989-1983	5 Spd. Spicer 5852 Trans.:	
1964-1957	4 Spd. Warner T-98 Trans.:			Bearing .....	[2] J32-2064
	Seal .....	21210	1989-1981	13 Spd. Fuller RT6613 Trans.:	
	(Speedi-Sleeve) .....	99212		Bearing .....	[2] WJ162116
	Bearing .....	6308-NRJ	1988	5 Spd. ZF Trans.:	
1962	5 Spd. New Process 540 Trans.:			Bearing .....	F597071
	Seal .....	24910	1987-1986	5 Spd. Clark CL540 Trans.:	
	(Speedi-Sleeve) .....	99250		Bearing .....	[52] QA48181
	(Speedi-Sleeve/Seal Kit) .....	480250	1987-1984	5 Spd. Clark 390, V5, 397V, CL550, 551 & 557 Trans.:	
	Bearing .....	6309-NRJ		Bearing .....	[52] QA47838
1958-1957	5 Spd. New Process 540 Trans.:		1987-1984	5 Spd. Spicer CM4054D Trans.:	
	Seal .....	21098		Bearing .....	[2] WJ162116
	(Speedi-Sleeve) .....	99212	1987-1979	5 Spd. Clark 280VHD, 282VHD, 285VHD & VHD2 Trans.:	
	Bearing .....	6308-NRJ		Bearing .....	[2] J36-1644
1956-1948	3 Spd. Warner T-87 & T-89 Trans.:		1987-1966	5 Spd. New Process 541 & 542 Trans.:	
	Bearing .....	6307-NRJ		Bearing (Front) .....	B1412
1956-1948	4 Spd. Warner T-98 Trans.:			Bearing (Rear) .....	B1816
	Bearing .....	6308-NRJ		Bearing (Thrust) .....	NTA815
<b>Remote Control</b>			1983-1976	5 Spd. Clark 390, 397 & CL550 Trans.:	
1989-1980	5 Spd. Spicer 5052, 5252 & 5852 Trans.:			Bearing .....	[52] QA47838
	Seal .....	8648	1982-1976	5 Spd. Spicer CM5052 & CM5252 Trans.:	
	(Speedi-Sleeve) .....	99087		Bearing .....	[2] WJ162116
1987-1964	5 Spd. New Process 541 & 542 Trans.:		1980	5 Spd. Fuller T905-A Trans.:	
	Seal .....	7439		Bearing .....	IR1820-0H
	(Speedi-Sleeve) .....	99076	1979-1973	5 Spd. Spicer 5652 & 5756 Trans.:	
<b>Reverse Gear</b>				Bearing .....	[2] J32-2064
1995-1987	5 Spd. Fuller FS3005 & FS5205 Trans.:		1977-1965	4 Spd. New Process 435 Trans.:	
	Bearing .....	F84003		Bearing .....	[68] C407-Q
1995-1988	5 Spd. Fuller FS4005 & FS5005 Trans.:		1977-1964	4 Spd. Warner T-18 & T-19 Trans.:	
	Bearing .....	[96] QA48181		Bearing .....	[74] B1316-Q
1994-1984	5 Spd. Clark CL450, CL455, & CL457 Trans.; 5 Spd. Fuller FS4005 Trans.:		1977-1957	5 Spd. Clark Trans.:	
	Bearing .....	F84003		Bearing .....	[2] J36-1644
					(Continued)

## Passenger cars, light & medium trucks

### Ford Truck 1 1/2 ton, 2 1/2 ton, 400 series, 450 series, F450, F450(Super Duty), 500 series, 550 series, F550(Super Duty), 600 series, 700 series, 800 series -- (Cont.)

MFG./YEAR	MODEL & LOCATION	PART NO.	MFG./YEAR	MODEL & LOCATION	PART NO.
<b>Transmission-Manual (Cont.)</b>			<b>Alternator (Cont.)</b>		
<b>Reverse Idler (Cont.)</b>			1985-1980 LN, LNT, C & CT900 Series w/Leece Neville 70 Amp.:		
1964-1948	4 Spd. Warner T-98 Trans.:		Bearing (Front)		6304-2RSJ
	Bearing	[74] B1316-Q	Bearing (Rear)		6203-2RSJ
<b>Second Speed Gear</b>			1981-1980 Ford 70 Amp.:		
1988	5 Spd. ZF Trans.:		Bearing (Front)		6305-2RSJ
	Bearing	F206755	1977-1967 Ford 65 & 70 Amp.:		
1987-1986	5 Spd. Clark CL450 Trans.:		Bearing (Front)		6305-2RSJ
	Bearing	F94490	Bearing (Rear)		MNJ471-S
1987-1984	5 Spd. Spicer CM4054D Trans.:		1977-1963 Ford w/o 65 & 70 Amp.:		
	Bearing	F95407	Bearing (Front)		6203-2RSJ
1964-1948	4 Spd. Warner T-98 Trans.:		Bearing (Rear)		MNJ471-S
	Bearing	[34] Q6086	1972-1957 Leece Neville w/o 100 & 105 Amp.:		
<b>Shift Shaft</b>			Bearing (Front)		6304-2RSJ
1975-1957	3 Spd. Warner T-87 Trans.:		Bearing (Rear)		6203-2RSJ
	Seal	6130	1971-1966 Leece Neville 105 Amp.:		
	(Speedi-Sleeve)	99062	Bearing (Front)		W6306-2RSJ
<b>Third Speed Gear</b>			Bearing (Rear)		W6205-2RSJ
1988	5 Spd. ZF Trans.:		1960-1957 Leece Neville 100 Amp.:		
	Bearing	F206755	Bearing	[2]	6204-2RSJ
1987-1986	5 Spd. Clark CL450 Trans.:		<b>Drive Shaft</b>		
	Bearing	F84003	1995-1990 2.36" I.D. Brg.:		
<b>Alternator</b>			Bearing & Support		HB88512-A
1995-1990	Delco 75, 85, 95, 100 & 115 Amp.:		1995-1990 1.96" I.D. Brg.:		
	Bearing (Front)	6305-2RSJ	Bearing & Support		HB88510
1995-1990	Ford 75 & 90 Amp.:		1995-1980 1.765" I.D. Brg.:		
	Bearing (Front)	6305-2RSJ	Bearing & Support		HB88509-A
	Bearing (Rear)	MNJ471-S	1995-1994 1.570" I.D. & 2.739" O.D. Brg.:		
1995-1990	Leece Neville 90 Amp.:		Bearing & Support		HB88508-A
	Bearing (Front)	6305-2RSJ	1995-1990 1.57" I.D. & 3.14" O.D. Brg.:		
1995-1990	Motorola 130 Amp.:		Bearing & Support		HB88508
	Bearing (Front)	6305-2RSJ	1995-1980 1.378" I.D. Brg.:		
	Bearing (Rear)	6205-2RSJ	Bearing Only		BR88107
1989-1980	Ford 40 & 60 Amp.:		Bearing & Support		HB88107-A
	Bearing (Front)	6203-2RSJ	1993-1990 1.57" I.D. & 2.83" O.D. Brg.:		
	Bearing (Rear)	MNJ471-S	Bearing & Support		HB88508-A
1989-1980	CL & CLT900, L & LT800 & 900 Series		1983 Cleveland 055 & Spicer 1410 Series:		
	w/Leece Neville 70 Amp. & Cat. 3406 Diesel		Bearing & Support		HB88508-A
	Eng.:		1983 Spicer 1410 Thru 1650 Series:		
	Bearing (Front)	W6305-2RSJ	Bearing Only		BR88509
	Bearing (Rear)	BA608	Bearing & Support		HB88509
1989-1980	B, C, F, FT, L, LN, LNT, LTS600 & 900 Series		1979 Spicer 1410 Thru 1480 Series:		
	w/Leece Neville 90 Amp.; B600 & 700 Series		Bearing & Support		HB88508
	w/105 & 130 Amp.:		1977-1974 B & F500 w/Clark 280 & New Process 542		
	Bearing (Front)	6305-2RSJ	Trans. From Ser. T20001:		
	Bearing (Rear)	6203-2RSJ	Bearing & Support		HB88508-A
1989-1980	Ford 75 Amp. w/o 10L L Series Diesel Eng.:		1977-1973 B & F500 w/Eaton 15201 Axle & New Process		
	Bearing (Front)	6305-2RSJ	435 Trans.:		
	Bearing (Rear)	MNJ471-S	Bearing Only		BR88107
1989-1980	Ford 90 Amp.:		Bearing & Support		HB88107-A
	Bearing (Front)	6305-2RSJ	1977-1973 P400 & P500:		
	Bearing (Rear Outer)	MNJ471-S	Bearing Only		BR88107
1989-1980	Delco 90 Amp.:		Bearing & Support		HB88107-A
	Bearing (Front)	6305-J	1974-1973 B & F500 w/Eaton 15201 Axle, Clark 280 &		
	Bearing (Rear Inner)	JHT1413	New Process 542 Trans. Thru Ser. T20000:		
1989-1980	CL, CLT CTL, LTL900 Series w/Leece Neville		Bearing & Support		HB88508
	105 Amp.; L, LT800 & 900 Series w/Cat.		(Continued)		
	Diesel Eng.:				
	Bearing (Front)	W6305-2RSJ			

## Passenger cars, light & medium trucks

(Cont.) -- Ford Truck 1 1/2 ton, 2 1/2 ton, 400 series, 450 series, F450, F450(Super Duty), 500 series, 550 series, F550(Super Duty), 600 series, 700 series, 800 series

MFG./YEAR	MODEL & LOCATION	PART NO.	MFG./YEAR	MODEL & LOCATION	PART NO.
<b>Engine</b>			<b>Engine (Cont.)</b>		
<b>Crankshaft-Rear</b>			<b>Timing Cover (Cont.)</b>		
1995-1980	6.1L & 7.0L Engs.:		1988	420 (6.9L) & 446 (7.3L) Diesel Engs.:	
	Seal Kit .....	201		Seal .....	24984
1993-1986	6.6L & 7.8L Diesel Engs.:			(Speedi-Sleeve) .....	99250
	Seal .....	48046	1986	6.6L Eng.:	
1993-1980	8.2L Diesel & Turbo-Diesel Engs.:			Seal .....	23685
	Seal .....	51852		(Speedi-Sleeve) .....	99238
1989-1968	8.5L, 9.4L, & 10.6L Diesel Engs. & 10.4L Turbo-Diesel Eng.:		1986-1979	6.1L & 7.0L Engs.:	
	Seal .....	49935		Seal .....	18548
	(Speedi-Sleeve) .....	99499		(Speedi-Sleeve) .....	99187
1988	420 (6.9L) & 446 (7.3L) Diesel Engs.:		1981-1958	401, 475, 477 & 534 Engs.:	
	Seal (w/o O.E.M. Ring) .....	37405		Seal .....	23685
	(Speedi-Sleeve) (w/o O.E.M. Ring) .....	99372		(Speedi-Sleeve) .....	99237
	Seal (w/O.E.M. Ring) .....	38649	1979-1973	240 & 300 Engs.:	
	(Speedi-Sleeve) (w/O.E.M. Ring) .....	99387		Seal (Viton) .....	18546
1988	460 (7.5L) Eng.:			Seal .....	18562
	Seal Kit .....	201		(Speedi-Sleeve) .....	99187
1984	300 Eng.:			(Speedi-Sleeve/Seal Kit) .....	480186
	Seal .....	37340	1978-1962	6 Cyl. Eng. From Ser. 220001:	
	(Speedi-Sleeve) .....	99372		Seal (Viton) .....	18546
1982-1980	475, 477 & 534 Engs.:			Seal .....	18562
	Seal Kit .....	191		(Speedi-Sleeve) .....	99187
1979	370 & 429 Engs.:			(Speedi-Sleeve/Seal Kit) .....	480186
	Seal Kit .....	191	1977-1964	330 H.D., 361 & 391 Engs.:	
1979-1965	240 & 300 Engs.:			Seal .....	23685
	Seal .....	37340		(Speedi-Sleeve) .....	99237
	(Speedi-Sleeve) .....	99372	1976-1974	460 Eng.:	
1977-1964	330, 361 & 391 Engs.:			Seal (Viton) .....	18544
	Seal (Rope) .....	196		Seal .....	18548
1976-1974	460 Eng.:			(Speedi-Sleeve) .....	99187
	Seal (Rope) .....	196		(Speedi-Sleeve/Seal Kit) .....	480185
	Seal (Rubber) .....	201	1976-1964	330 Med. Duty, 360 & 390 Engs.:	
1976-1973	352, 360 & 390 Engs.:			Seal (Viton) .....	18546
	Seal (Rope) .....	196		Seal .....	18562
1964-1957	223, 262, 272 & 292 Engs.:			(Speedi-Sleeve) .....	99187
	Seal (Rope) .....	196		(Speedi-Sleeve/Seal Kit) .....	480186
<b>Timing Cover</b>			1966-1963	220 Dagenham Diesel Eng.:	
1995-1987	6.1L & 7.0L Engs.:			Seal .....	26191
	Seal (Viton) .....	23698		(Speedi-Sleeve) .....	99262
	Seal .....	23691	1964-1961	272 & 292 Engs. From Ser. 110001:	
	(Speedi-Sleeve) .....	99238		Seal (Viton) .....	18546
1995-1992	5.9L Eng.:			Seal .....	18562
	Seal .....	24868		(Speedi-Sleeve) .....	99187
	(Speedi-Sleeve) .....	99250		(Speedi-Sleeve/Seal Kit) .....	480186
1995-1988	460 (7.5L) Eng.:		1962-1952	6 Cyl. Eng. Thru Ser. 220000:	
	Seal (Viton) .....	18544		Seal (Viton) .....	18546
	Seal .....	18548		Seal .....	18562
	(Speedi-Sleeve) .....	99187		(Speedi-Sleeve) .....	99187
	(Speedi-Sleeve/Seal Kit) .....	480185		(Speedi-Sleeve/Seal Kit) .....	480186
1993-1980	8.2L Diesel & Turbo-Diesel Engs.:		1961-1957	272 & 292 Engs. Thru Ser. 110000:	
	Seal .....	21136		Seal (Viton) .....	18546
	(Speedi-Sleeve) .....	99212		Seal .....	18562
1992	FD1060 6 Cyl. Diesel Eng.:			(Speedi-Sleeve) .....	99187
	Seal .....	24868		(Speedi-Sleeve/Seal Kit) .....	480186
	(Speedi-Sleeve) .....	99250	<b>Generator</b>		
1992-1987	6.6L & 7.8L Diesel Engs.:		1964-1957	Ford:	
	Seal .....	26186		Bearing (Front) .....	6203-2RSJ
	(Speedi-Sleeve) .....	99262		Bearing (Rear) .....	6200-2RSJ

(Continued)

**Ford Truck 1 1/2 ton, 2 1/2 ton, 400 series, 450 series, F450, F450(Super Duty), 500 series, 550 series, F550(Super Duty), 600 series, 700 series, 800 series -- (Cont.)**

MFG./YEAR	MODEL & LOCATION	PART NO.	MFG./YEAR	MODEL & LOCATION	PART NO.
<b>Generator (Cont.)</b>			<b>Steering-Standard (Cont.)</b>		
1963-1957	Autolite:		<b>Pitman Shaft (Cont.)</b>		
	Bearing (Front) .....	6204-2RSJ	1982-1980	C & CT600 & 700 Series w/Ross 504 Gear:	
	Bearing (Rear) .....	6303-J		Seal .....	17231
1960-1957	Bosch:		1977-1963	B, F, LN & N500 Series:	
	Bearing .....	[2] 6204-2RSJ		Seal .....	13537
<b>Power Takeoff</b>			1977-1957	P400 & P500:	
<b>Drive Shaft</b>				Seal .....	12334
1963-1960	5 Spd. Clark 250V & 251V0 Trans.:		1972-1966	C500 & C550:	
	Seal .....	8060		Seal .....	14832
<b>Steering-Power</b>			1965-1957	C550 w/Gemner Gear:	
<b>Pitman Shaft</b>				Seal .....	13533
1972-1964	C500 & C550:		1962-1961	F500:	
	Seal .....	13537		Seal .....	12350
<b>Pump Shaft</b>			<b>Worm Shaft</b>		
1977-1964	All:		1990-1980	B, F & FT600 & 700 Series:	
	Seal .....	7465		Seal .....	8637
	Bearing .....	6203-2RSJ	1977-1963	B, F, LN & N500 Series:	
<b>Worm Shaft</b>				Seal .....	8637
1972-1964	C500 & C550:		1965-1957	C550 Gemner Gear:	
	Seal .....	8637		Seal .....	9876
<b>Steering-Standard</b>					
<b>Pitman Shaft</b>					
1987-1980	B, F & FT600 & 700 Series w/Ross 378 Gear:				
	Seal .....	13537			
1986-1980	C & CT600 & 700 Series w/Ross 408 Gear:				
	Seal .....	14832			

**Fuso Truck**

<b>Wheel Front</b>		<b>Transmission-Automatic</b>	
1993-1987	w/o Exhaust Brks.:	<b>Front Pump</b>	
	Bearing (Outer) .....	1991-1987	Chrysler A727 Trans.:
	BR30207		Seal .....
1993-1987	Exhaust Brks.:		18508
	Bearing (Outer) .....	<b>Rear Extension</b>	
	BR32207	1991-1987	Chrysler A727 Trans.:
<b>Pinion</b>			Seal .....
<b>Rear Axle</b>			16725
1993-1987	All:		(Speedi-Sleeve) .....
	Bearing (Outer) .....		99168
	HM801346/HM801310		(Speedi-Sleeve/Seal Kit) .....
<b>Differential</b>			480168
<b>Rear Axle</b>			Bearing .....
1993-1987	All:		■ 6207-VSP55
	Bearing .....	[2] BR28985/BR28921	
<b>Clutch</b>			
<b>Pilot</b>			
1993-1992	3.9L Turbo Eng.:		
	Bearing .....		
	6204-2RSJ		
1991-1987	3.3L Turbo Eng.:		
	Bearing .....		
	6203-2RSJ		
<b>Release</b>			
1991-1987	3.3L Turbo Eng.:		
	Bearing Assembly .....		
	N4088		

# Passenger cars, light & medium trucks

## Geo Metro (thru 1995), Prizm (thru 1995), Spectrum, Storm, Sunfire

MFG./YEAR	MODEL & LOCATION	PART NO.	MFG./YEAR	MODEL & LOCATION	PART NO.
<b>Wheel Front</b>			<b>Wheel Rear</b>		
1995	Metro:		1995-1993	Prizm w/ABS:	
	Seal (Inner) .....	19325		Hub Assembly .....	BR930436
	Seal (Outer) .....	20906	1995-1993	Prizm w/o ABS:	
	Bearing .....	[2] FW22		Hub Assembly .....	BR930336
1995-1993	Prizm:		1995-1989	Metro:	
	Seal (Inner) .....	22037		Bearing (Inner) .....	6205-RSJ
	Seal (Outer) .....	20431		Bearing (Outer) .....	6204-RSJ
	Bearing .....	FW128	1993-1990	Storm & Sunfire:	
	Hub Assembly (Kit) .....	BR930300K		Hub Assembly .....	BR930231
1994-1991	Metro Exc. LSI:		1992-1990	Prizm w/HO Eng.:	
	Seal .....	19090		Seal .....	↔16036
	Bearing .....	[2] 6007-RSJ		(Superseded by): .....	16446
1994-1990	Metro LS & LSi (Canadian Model) w/o Turbo:			Bearing .....	GRW141
	Seal (Inner) .....	19097	1992-1989	Prizm w/o HO Eng.:	
	Seal (Outer) .....	20906		Seal .....	16034
	Bearing .....	[2] 6007-2RSJ		Bearing .....	GRW141
1993	Sunfire:		1989-1985	Spectrum:	
	Seal (Inner) .....	19621		Seal .....	14705
	Seal (Outer) .....	19599		Bearing (Inner) .....	BR4
	Sealed Bearing .....	[2] FW20		(Set Components) .....	L44649/L44610
1993-1990	Storm w/o DOHC Eng.:			Bearing (Outer) .....	BR1
	Seal (Inner) .....	19621		(Set Components) .....	LM11749/LM11710
	Seal (Outer) .....	16514	<b>Clutch</b>		
	Sealed Bearing .....	[2] FW150	<b>Pilot</b>		
1993-1990	Storm w/DOHC Eng.:		1995-1989	Metro:	
	Seal (Inner) .....	19621		Bearing .....	6200-2RSJ
	Seal (Outer) .....	19599	<b>Release</b>		
	Sealed Bearing .....	[2] FW20	1995-1993	Prizm:	
1992-1989	Prizm:			Bearing Assembly .....	N4095
	Seal (Inner) .....	22037	1995-1989	Metro:	
	Seal (Outer) .....	20431		Bearing Assembly .....	N4069
	Bearing .....	FW128	1993-1990	Storm & Sunfire:	
	C-Clip .....	CIR128		Bearing Assembly .....	N4042
1991-1990	Metro Turbo (Canadian Model):		1992-1989	Prizm:	
	Seal .....	20906		Bearing Assembly .....	N4024
	Bearing .....	[2] FW22	1989-1985	Spectrum:	
1990-1989	Metro (USA Model):			Bearing Assembly .....	N4042
	Seal .....	19090	<b>Transaxle-Automatic</b>		
	Bearing .....	[2] 6007-RSJ	<b>Differential</b>		
1989-1985	Spectrum w/o Turbo & H.D. Handling:		1995	Metro w/1.0L Eng.:	
	Seal (Inner) .....	19604		Bearing .....	[2] 6207-ZJ
	Seal (Outer) .....	16522	1994-1989	Metro w/1.0L Eng.:	
	Sealed Bearing .....	B35		Bearing .....	[2] 6207-ZJ
1988-1986	Spectrum w/Turbo & H.D. Handling:		1990	Storm w/o DOHC Eng.:	
	Seal (Inner) .....	19604		Bearing .....	32008-X
	Seal (Outer) .....	16522	1990	Storm w/DOHC Eng.:	
	Sealed Bearing .....	FW162		Bearing .....	BR30208
<b>Axle Shaft</b>			<b>Front Pump</b>		
1995	Metro From 3/95:		1995-1989	Metro & Prizm:	
	Seal (L.H.) .....	15736		Seal .....	14772
	Sealed Bearing (R.H.) .....	GRW163		(Speedi-Sleeve) .....	99147
1995	Metro Thru 2/95:		1993-1990	Storm w/3 Spd. Trans.:	
	Seal (L.H.) .....	16565		Seal .....	17753
	Seal (R.H.) .....	15881		(Speedi-Sleeve) .....	99177
1994-1992	Metro w/Intermediate Drive Axle 1st Design:		1993-1990	Storm & Sunfire w/4 Spd. Trans.:	
	Seal (L.H.) .....	16565		Seal .....	16023
	Seal (R.H.) .....	15881	1989-1985	Spectrum w/4 Spd. Trans.:	
1994-1992	Metro w/Intermediate Drive Axle 2nd Design:			Seal .....	17753
	Seal (L.H.) .....	16565		(Speedi-Sleeve) .....	99177
	Seal (R.H.) .....	15881			(Continued)

Geo Metro (thru 1995), Prizm (thru 1995), Spectrum, Storm, Sunfire -- (Cont.)

MFG./YEAR	MODEL & LOCATION	PART NO.	MFG./YEAR	MODEL & LOCATION	PART NO.
<b>Transaxle-Automatic (Cont.)</b>			<b>Transaxle-Manual (Cont.)</b>		
<b>Output Shaft</b>			<b>Output Shaft (Cont.)</b>		
1995-1990	Prizm w/4 Spd. Trans.:		1989-1985	Spectrum:	
	Seal .....	13439		Seal .....	13750
1995-1989	Metro:			(Speedi-Sleeve) .....	99138
	Seal .....	13963		Bearing (Inner) .....	BR32206
	(Speedi-Sleeve) .....	99139	<b>Shift Shaft</b>		
1995-1989	Prizm w/3 Spd. Trans.:		1989-1985	Spectrum:	
	Seal .....	13439		Seal .....	6408
1989-1985	Spectrum:			(Speedi-Sleeve) .....	99058
	Seal .....	13750	<b>Alternator</b>		
	(Speedi-Sleeve) .....	99138	1995-1992	Metro:	
<b>Shift Shaft</b>				Bearing (Front) .....	6302-2RSJ
1995-1989	Prizm:			Bearing (Rear) .....	AB4
	Seal .....	4707	<b>Engine</b>		
	(Speedi-Sleeve) .....	99049	<b>Camshaft</b>		
1990-1989	Metro:		1995-1992	Metro w/1.3L Eng.:	
	Seal .....	5413		Seal .....	12724
	(Speedi-Sleeve) .....	99055		(Speedi-Sleeve) .....	99128
<b>Transaxle-Manual</b>			1995-1989	Prizm w/1.6L & 1.8L Engs.:	
<b>Clutch Fork</b>				Seal .....	13857
1989-1985	Spectrum:			(Speedi-Sleeve) .....	99139
	Seal .....	6720	1995-1989	Metro w/1.0L Eng.:	
<b>Differential</b>				Seal .....	12595
1995-1989	Metro:		1993-1992	Storm GSI:	
	Bearing (L.H.) .....	6207-J		Seal .....	11622
	Bearing (R.H.) .....	6007-J		(Speedi-Sleeve) .....	99114
1990	Storm:		1993-1990	Storm & Sunfire Exc. GSI:	
	Bearing .....	32008-X		Seal .....	11622
1989-1985	Spectrum:			(Speedi-Sleeve) .....	99114
	Bearing .....	32008-X	1991-1990	Storm GSI:	
<b>Input Shaft</b>				Seal .....	11804
1995-1990	Prizm w/o DOHC Eng.:		1989-1985	Spectrum w/1.5L Eng.:	
	Seal .....	9718		Seal .....	15800
	(Speedi-Sleeve) .....	99098		(Speedi-Sleeve) .....	99157
	Bearing (Rear) .....	6305-NSP19	<b>Crankshaft-Rear</b>		
1995-1989	Metro:		1995-1989	Metro:	
	Seal .....	7923		Seal .....	26749
	(Speedi-Sleeve) .....	99078	1995-1989	Prizm:	
1993-1990	Storm & Sunfire w/5 Spd. Trans.:			Seal .....	27750
	Seal .....	10937		(Speedi-Sleeve) .....	99276
	(Speedi-Sleeve) .....	99111	1993-1992	Storm & Sunfire:	
	Bearing (Rear) .....	BR30306		Seal .....	34115
1992-1990	Prizm w/DOHC Eng.:		1991-1990	Storm w/o DOHC Eng.:	
	Seal .....	9715		Seal .....	34120
	(Speedi-Sleeve) .....	99098	1991-1990	Storm w/DOHC Eng.:	
1989-1985	Spectrum:			Seal .....	34115
	Seal .....	10937	1989-1985	Spectrum w/1.5L Eng.:	
	(Speedi-Sleeve) .....	99111		Seal .....	34120
	Bearing (Inner) .....	BR30306	<b>Timing Belt Tensioner</b>		
<b>Output Shaft</b>			1995	Metro w/1.3L Eng.:	
1995-1989	Metro:			Bearing & Housing Assy. ....	VKM76001
	Seal (L.H.) .....	13998	1995-1993	Prizm w/1.6L & 1.8L Engs.:	
	(Speedi-Sleeve) (L.H.) .....	99139		Bearing & Housing Assy. ....	VKM71007
	Seal (R.H.) .....	13624	1995-1989	Metro w/1.0L Eng.:	
	(Speedi-Sleeve) (R.H.) .....	99139		Bearing & Housing Assy. ....	VKM76203
1995-1989	Prizm:		1993-1990	Storm w/1.6L Eng.:	
	Seal (L.H.) .....	13478		Bearing & Housing Assy. ....	VKM55003
	Seal (R.H.) .....	13439	1992-1990	Prizm w/1.6L Eng. Exc. GSI:	
1993-1990	Storm & Sunfire:			Bearing & Housing Assy. ....	VKM71202
	Seal .....	13750			(Continued)
	(Speedi-Sleeve) .....	99138			

## Passenger cars, light & medium trucks

(Cont.) -- Geo Metro (thru 1995), Prizm (thru 1995), Spectrum, Storm, Sunfire

MFG./YEAR	MODEL & LOCATION	PART NO.	MFG./YEAR	MODEL & LOCATION	PART NO.
<b>Engine (Cont.)</b>			<b>Steering-Power</b>		
<b>Timing Belt and Tensioner Kit</b>			<b>Pump Shaft</b>		
1995	Metro w/1.3L Eng.:		1995-1993	Prizm:	
	Belt & Tensioner Kit .....	VKMA96212		Seal .....	7089
1995-1993	Prizm w/1.8L Eng.:		1993-1990	Storm:	
	Belt & Tensioner Kit .....	VKMA91006		Seal .....	6622
1995-1993	Prizm w/1.6L Eng.:		1992-1989	Prizm:	
	Belt & Tensioner Kit .....	VKMA91005		Seal .....	7006
<b>Timing Cover</b>			<b>Steering-Standard</b>		
1995-1989	Prizm w/1.6L & 1.8L Eng.:		<b>Worm Shaft</b>		
	Seal .....	12718	1988-1985	Spectrum:	
	(Speedi-Sleeve) .....	99128		Seal .....	6641
1995	Metro w/4 Cyl. Eng.:				
	Seal .....	12724			
	(Speedi-Sleeve) .....	99128			
1995-1989	Metro w/3 Cyl. Eng.:				
	Seal .....	12724			
	(Speedi-Sleeve) .....	99128			
1993-1990	Storm & Sunfire:				
	Seal .....	12706			
	(Speedi-Sleeve) .....	99128			
1989-1985	Spectrum w/1.5L Eng.:				
	Seal .....	12706			
	(Speedi-Sleeve) .....	99128			

## Geo Tracker (thru 1995)

### Wheel Front (2 W/D)

1995-1991	All:	
	Seal (Inner) .....	29505
	Seal (Outer) .....	21052
	Bearing .....	FW151

### Wheel Front (4 W/D)

1995-1989	All:	
	Seal (Inner) .....	29505
	Seal (Outer) .....	21052
	Bearing .....	FW151

### Axle Shaft

1995-1989	All:	
	Seal .....	14018
	Bearing .....	6206-2RSJ

### Steering Knuckle

1995-1989	All:	
	Seal (Inner) .....	25196
	Seal (Outer) .....	18876

### Wheel Rear

1995-1989	All:	
	Seal (Inner) .....	18452
	Seal (Outer) .....	17113
	Sealed Bearing w/Lock Ring .....	GRW232-R

### Pinion

#### Front Axle

1995-1989	All:	
	Seal .....	14762
	(Speedi-Sleeve) .....	99147
	Bearing (Front) .....	BR30306
	Bearing (Rear) .....	BR30307

### Pinion (Cont.)

#### Rear Axle

1995-1989	All:	
	Seal .....	14762
	(Speedi-Sleeve) .....	99147
	Bearing (Front) .....	BR30306
	Bearing (Rear) .....	BR30307

### Differential

#### Front Axle

1995-1989	All:	
	Bearing .....	KC11445-Y
	(Set Components) .....	BR17887/BR17831

#### Rear Axle

1995-1989	All:	
	Bearing .....	KC11445-Y
	(Set Components) .....	BR17887/BR17831

### Clutch

#### Pilot

1995-1989	All:	
	Bearing .....	6200-2RSJ

#### Release

1995-1989	All:	
	Bearing Assembly .....	N4092

### Transfer Case

#### Front Output Shaft

1995-1989	All:	
	Seal .....	15807
	(Speedi-Sleeve) .....	99157
	Bearing .....	[2] 6306-J

(Continued)

**Geo Tracker (thru 1995) -- (Cont.)**

MFG./YEAR	MODEL & LOCATION	PART NO.	MFG./YEAR	MODEL & LOCATION	PART NO.
<b>Transfer Case (Cont.)</b>			<b>Transmission-Manual (Cont.)</b>		
<b>Input Shaft</b>			<b>Rear</b>		
1995-1989 All:			1995-1991 5 Spd. Trans.:		
Seal .....		13861	Seal .....		14033
(Speedi-Sleeve) .....		99139	<b>Alternator</b>		
Bearing .....		6207-J	1995-1994 All:		
<b>Rear Output Shaft</b>			Bearing .....		
1995-1989 All:			1993-1989 All:		
Seal .....		15807	Bearing .....		
(Speedi-Sleeve) .....		99157	AB6		
Bearing .....		6306-J	<b>Engine</b>		
<b>Transmission-Automatic</b>			<b>Camshaft</b>		
<b>Rear</b>			1995-1989 All:		
1995-1989 4 W/D:			Seal .....		
Seal .....		13861	(Speedi-Sleeve) .....		
(Speedi-Sleeve) .....		99139	12724		
1995-1989 2 W/D w/Vin Beginning 2C:			99128		
Seal .....		14004	<b>Crankshaft-Rear</b>		
(Speedi-Sleeve) .....		99146	1995-1989 All:		
<b>Shift Shaft</b>			Seal .....		
1995-1989 All:			26749		
Seal .....		4912	<b>Timing Belt Tensioner</b>		
(Speedi-Sleeve) .....		99050	1995-1994 All:		
(Speedi-Sleeve/Seal Kit) .....		480050	Bearing & Housing Assy. ....		
<b>Transmission-Manual</b>			VKM76001		
<b>Countershaft</b>			<b>Timing Belt and Tensioner Kit</b>		
1995-1989 5 Spd. Trans.:			1995-1994 All:		
Bearing (Front) .....		62/282RSNR	Belt & Tensioner Kit .....		
Bearing (Center) .....		M1205-TV	VKMA96002		
Bearing (Rear) .....		6304-J	<b>Timing Cover</b>		
<b>Front</b>			1995-1989 All:		
1995-1989 5 Spd. Trans.:			Seal .....		
Seal .....		9701	(Speedi-Sleeve) .....		
(Speedi-Sleeve) .....		99098	12724		
Bearing .....		63/28-2RSN	99128		
<b>Mainshaft</b>					
1995-1989 5 Spd. Trans.:					
Seal .....		9795			
(Speedi-Sleeve) .....		99098			

**Hillman**

<b>Wheel Front</b>			<b>Wheel Front (Cont.)</b>		
1975-1966 Avenger & Hunter:			1966-1956 Husky:		
Bearing (Inner) .....		BR4	Bearing (Inner) .....		BR21
(Set Components) .....		L44649/L44610	(Set Components) .....		BR1988/BR1922
Bearing (Outer) .....		BR2	Bearing (Outer) .....		BR2
(Set Components) .....		LM11949/LM11910	(Set Components) .....		LM11949/LM11910
1970-1967 Husky:			<b>Wheel Rear</b>		
Bearing (Inner) .....		BR4	1966-1964 Minx 1600 Series V:		
(Set Components) .....		L44649/L44610	Seal .....		
Bearing (Outer) .....		BR2	19832		
(Set Components) .....		LM11949/LM11910	1966-1958 Husky Series 1, 2 & 3:		
1968-1956 Minx:			Seal .....		
Bearing (Inner) .....		BR21	19832		
(Set Components) .....		BR1988/BR1922	1966-1956 New Minx Series: 1 Thru 11B, Minx 1600		
Bearing (Outer) .....		BR2	Series: 111C:		
(Set Components) .....		LM11949/LM11910	Seal .....		
			19832		
			(Continued)		



# Passenger cars, light & medium trucks

(Cont.) -- Hillman

MFG./YEAR	MODEL & LOCATION	PART NO.	MFG./YEAR	MODEL & LOCATION	PART NO.
<b>Pinion</b>			<b>Differential (Cont.)</b>		
1975-1972	Avenger:		1966-1961	Minx:	
	Bearing (Rear) .....	BR52		Bearing .....	BR35
	(Set Components) .....	M88048/M88010		(Set Components) .....	LM501349/LM501310
1971-1970	Avenger:		<b>Transmission-Manual</b>		
	Seal .....	15039	<b>Front</b>		
	(Speedi-Sleeve) .....	99149	1966-1954	Husky w/o Easy Drive:	
1971-1967	Hunter & Minx:			Bearing .....	6208-J
	Seal .....	15039	1966-1954	Minx:	
	(Speedi-Sleeve) .....	99149		Bearing .....	6208-J
1970-1967	Husky:		<b>Generator</b>		
	Bearing (Rear) .....	BR5	1966-1954	All:	
	(Set Components) .....	LM48548/LM48510		Bearing .....	6206-J
1966-1961	Minx:				
	Bearing (Front) .....	BR52			
	(Set Components) .....	M88048/M88010			
<b>Differential</b>					
1975-1970	Avenger:				
	Bearing .....	BR5			
	(Set Components) .....	LM48548/LM48510			
1970-1967	Husky:				
	Bearing .....	BR5			
	(Set Components) .....	LM48548/LM48510			

## Hino Truck

<b>Wheel Front</b>			<b>Transmission-Automatic</b>		
1991-1987	All:		<b>Front Pump</b>		
	Bearing (Inner) .....	BR32210	1993-1987	4 Spd. Trans.:	
	Bearing (Outer) .....	BR32207		Seal .....	18692
<b>Wheel Rear</b>				(Speedi-Sleeve) .....	99187
1991-1987	All:		<b>Rear Extension</b>		
	Bearing (Inner) .....	BR29586/BR29522	1993-1987	4 Spd. Trans.:	
	Bearing (Outer) .....	BR28680/BR28622		Seal .....	25661
<b>Pinion</b>				(Speedi-Sleeve) .....	99256
<b>Rear Axle</b>				Bearing .....	6009-J
1993-1987	All:		<b>Shift Shaft</b>		
	Bearing .....	[2] BR30309	1993-1987	4 Spd. Trans.:	
<b>Clutch</b>				Seal .....	4912
<b>Pilot</b>				(Speedi-Sleeve) .....	99050
1991-1987	3.8L Eng.:			(Speedi-Sleeve/Seal Kit) .....	480050
	Bearing .....	6203-2RSJ			

## Honda Accord, Civic, Civic CRX, Civic 4 W/D wagon, Del Sol, Odyssey, Prelude, 600

<b>Wheel Front</b>			<b>Wheel Front (Cont.)</b>		
1995	Odyssey:		1995-1992	Civic w/ABS:	
	Bearing Assembly .....	FW184		Sealed Bearing .....	FW171
1995	Accord w/V6 Eng.:		1991-1988	Civic, Civic CRX & Civic Wgn.:	
	Bearing Assembly .....	FW184		Sealed Bearing .....	FW102
1995-1994	Del Sol V-Tec:		1991-1988	Prelude:	
	Sealed Bearing .....	FW171		Sealed Bearing .....	FW118
1995-1993	Del Sol Exc. V-Tec:		1990-1988	Accord LX:	
	Sealed Bearing .....	FW152		Sealed Bearing .....	FW124
1995-1990	Accord w/o V6 Eng.:			C-Clip .....	CIR177
	Sealed Bearing w/Housing .....	FW156	1989-1988	Civic Wagon:	
1995-1992	Prelude:			Sealed Bearing .....	FW102
	Sealed Bearing .....	FW125		(Continued)	
1995-1992	Civic w/o ABS:				
	Sealed Bearing .....	FW152			

**Honda Accord, Civic, Civic CRX, Civic 4 W/D wagon, Del Sol, Odyssey , Prelude, 600 -- (Cont.)**

MFG./YEAR	MODEL & LOCATION	PART NO.	MFG./YEAR	MODEL & LOCATION	PART NO.
<b>Wheel Front (Cont.)</b>			<b>Wheel Front (Cont.)</b>		
1989-1988	Accord LXi & SEi:		1979	Prelude:	
	Sealed Bearing .....	FW124		Seal (Inner) .....	17789
	Hub Assembly (Kit) .....	BR930247K		Seal (Outer) .....	17818
1987-1986	Accord:			Bearing (1.378" I.D.) .....	B36
	Seal .....	17789		Bearing (1.417" I.D.) .....	B32
	Sealed Bearing .....	FW124	1979-1973	Civic:	
	C-Clip .....	C1R177		Seal (Inner) .....	17789
	Hub Assembly (Kit) .....	BR930166K		Seal (Outer) .....	17792
1987-1985	Prelude w/Fuel Inj.:			Bearing .....	B36
	Seal (Inner) .....	19200	1978-1976	Accord:	
	Seal (Outer) .....	19100		Seal (Inner) .....	17789
	Bearing .....	FW111		Seal (Outer) .....	17788
1987-1985	Civic CRX w/1.3L & 1.5L High Fuel Eng.s.:			Bearing (1.378" I.D.) .....	B36
	Sealed Bearing .....	B35		Bearing (1.417" I.D.) .....	B32
1987-1984	Civic & Civic CRX w/o High Fuel 1.5L Eng.:		1972-1970	600 Coupe & 600 Sed. From Ser. 1018286:	
	Sealed Bearing .....	FW102		Seal (Inner) .....	13780
1987-1984	Prelude w/o Fuel Inj.:			Seal (Outer) .....	17160
	Seal (Inner) .....	18454		Bearing .....	6305-RSJ
	Seal (Outer) .....	18727	1972-1970	600 Sed. Thru Ser. 1018285:	
	Bearing .....	B32		Seal (Outer) .....	17160
1985	Accord w/Fuel Inj.:			Bearing .....	6305-RSJ
	Seal (Inner) .....	19200	<b>Axle Shaft</b>		
	Seal (Outer) .....	19100	1992-1991	Accord Wgn.:	
	Bearing .....	FW111		Seal (Inner) .....	16924
1985-1984	Accord w/o Fuel Inj.:			Seal (Outer) .....	15512
	Seal (Inner) .....	18454		Sealed Bearing .....	SC0889
	Seal (Outer) .....	18727	1991-1988	Prelude:	
	Bearing .....	B32		Seal (Inner) .....	17955
	Hub Assembly (Kit) .....	BR930154K		Seal (Outer) .....	15842
1983	Prelude:		1989-1986	Civic 4 W/D. Wgn. From Ser. GC000104:	
	Seal (Inner) .....	18454		Seal (Inner) .....	17955
	Seal (Outer) .....	18727		Bearing .....	6008-2RSJ
	Bearing .....	B32	1986	Civic 4 W/D Wgn. Thru Ser. GC000103:	
	Hub Assembly (Kit) .....	BR930154K		Seal (Inner) .....	17955
1983-1982	Accord:			Seal (Outer) .....	15841
	Seal (Inner) .....	17801		Bearing .....	6008-2RSJ
	Seal (Outer) .....	17818	1985	Civic 4 W/D Wgn.:	
	Bearing .....	B32		Seal (Inner) .....	20455
	Hub Assembly (Kit) .....	BR930154K		Seal (Outer) .....	15841
1983-1980	Civic:			Bearing .....	6008-2RSJ
	Seal (Inner) .....	17789	<b>Wheel Rear</b>		
	Seal (Outer) .....	17818	1995	Odyssey:	
	Bearing (1.378" I.D.) .....	B36		Hub Assembly .....	BR930178
	Bearing (1.417" I.D.) .....	B32	1995	Accord Sed. w/Drum Brks. & V6 Eng.:	
1982-1981	Prelude:			Hub Assembly .....	BR930126
	Seal (Inner) .....	17789	1995-1994	Accord Coupe & Sed. w/Disc Brks. w/o V6 Eng.:	
	Seal (Outer) .....	17818		Hub Assembly .....	BR930129
	Bearing .....	B32	1995-1994	Del Sol V-Tec:	
1981-1980	Accord:			Hub Assembly .....	BR930127
	Seal (Inner) .....	17789	1995-1993	Del Sol w/o Disc Brks.:	
	Seal (Outer) .....	17818		Seal .....	15682
	Bearing (1.378" I.D.) .....	B36		Hub Assembly .....	BR930033
	Bearing (1.417" I.D.) .....	B32	1995-1993	Del Sol Si w/Disc Brks.:	
1980	Prelude:			Hub Assembly .....	BR930127
	Seal (Inner) .....	17789	1995-1990	Accord Coupe & Sed. w/Drum Brks. w/o V6 Eng.:	
	Seal (Outer) .....	17818		Hub Assembly .....	BR930121
	Bearing .....	B36	1995-1992	Prelude:	
1979	Accord:			Hub Assembly .....	BR930183
	Seal (Inner) .....	17789			(Continued)
	Seal (Outer) .....	17792			
	Bearing .....	B36			

# Passenger cars, light & medium trucks

(Cont.) -- Honda Accord, Civic, Civic CRX, Civic 4 W/D wagon, Del Sol, Odyssey, Prelude, 600

MFG./YEAR	MODEL & LOCATION	PART NO.	MFG./YEAR	MODEL & LOCATION	PART NO.
<b>Wheel Rear (Cont.)</b>			<b>Wheel Rear (Cont.)</b>		
1995-1994	Accord Wgn. w/Disc Brks. w/o V6 Eng.:		1983-1980	Civic:	
	Hub Assembly .....	BR930136		Seal .....	16506
1995-1992	Civic w/ABS & Disc Brks.:			Bearing (Inner) .....	BR8
	Hub Assembly .....	BR930113		(Set Components) .....	L45449/L45410
1995-1992	Civic w/Drum Brks.:			Bearing (Outer) .....	BR2
	Seal .....	15682		(Set Components) .....	LM11949/LM11910
	Hub Assembly .....	BR930033	1983-1979	Prelude:	
1995-1992	Civic w/Disc Brks w/o ABS:			Seal .....	16506
	Hub Assembly .....	BR930127		Bearing (Inner) .....	BR8
1995-1991	Accord Wgn. w/Drum Brks.:			(Set Components) .....	L45449/L45410
	Hub Assembly .....	BR930120		Bearing (Outer) .....	BR2
1993-1991	Accord Wgn. EX w/Disc Brks.:			(Set Components) .....	LM11949/LM11910
	Hub Assembly .....	BR930126	1981-1976	Accord:	
1993-1990	Accord Coupe & Sed. w/Disc Brks.:			Seal .....	16514
	Hub Assembly .....	BR930124		Bearing (Inner) .....	BR8
1991-1988	Civic Wgn. w/o 4 W/D:			(Set Components) .....	L45449/L45410
	Hub Assembly .....	BR930010		Bearing (Outer) .....	BR2
1991-1988	Civic Wgn. w/4 W/D:			(Set Components) .....	LM11949/LM11910
	Bearing .....	B35	1979-1975	Civic Wgn.:	
1991-1988	Prelude:			Seal .....	16518
	Sealed Bearing .....	GRW156		Bearing (Inner) .....	6206-RSJ
1991-1985	Civic Exc. Wgn.:			Bearing (Outer) .....	6304-J
	Seal .....	15682	1979-1973	Civic w/o Wgn.:	
	Hub Assembly .....	BR930033		Seal .....	16514
1991-1985	Civic CRX:			Sealed Bearing (Inner) .....	GRW122
	Seal .....	15682		Bearing (Outer) .....	6304-J
	Hub Assembly .....	BR930033	1972-1970	600:	
1989-1988	Civic Wagovan:			Seal .....	15884
	Seal .....	15682		Bearing (Inner) .....	6205-RSJ
	Hub Assembly .....	BR930033		Bearing (Outer) .....	6204-RSJ
1989-1986	Accord:		<b>Pinion</b>		
	Hub Assembly .....	BR930010	<b>Rear Axle</b>		
1987	Civic Wgn. w/4 W/D:		1991-1987	Civic Wgn. w/4 W/D:	
	Seal .....	16503		Seal .....	14739
	Sealed Bearing w/Lock Ring .....	GRW162-R		Bearing (Front) .....	32008-X
1987-1986	Civic Wagovan w/o 4 W/D:			Bearing (Rear) .....	BR32306
	Seal .....	15682	1986-1985	Civic Wgn. w/4 W/D:	
	Hub Assembly .....	BR930033		Seal .....	14739
1987-1985	Civic Wgn. w/o 4 W/D:			Bearing (Front) .....	32008-X
	Seal .....	15682		Bearing (Rear) .....	BR32306
	Hub Assembly .....	BR930033	<b>Differential</b>		
1987-1984	Prelude:		<b>Rear Axle</b>		
	Seal .....	16508	1991-1989	Civic Wgn. w/4 W/D:	
	Bearing (Inner) .....	BR8		Seal .....	13439
	(Set Components) .....	L45449/L45410		Bearing .....	6208-J
	Bearing (Outer) .....	BR2	1988-1985	Civic Wgn. w/4 W/D:	
	(Set Components) .....	LM11949/LM11910		Seal .....	14020
1986-1985	Civic Wgn. w/4 W/D:			(Speedi-Sleeve) .....	99146
	Seal .....	16503		Bearing .....	6208-J
	Sealed Bearing w/Lock Ring .....	GRW162-R	<b>Clutch</b>		
1985-1982	Accord:		<b>Pilot</b>		
	Seal .....	16506	1995-1993	Del Sol:	
	Bearing (Inner) .....	BR8		Bearing .....	6002-2RSJ
	(Set Components) .....	L45449/L45410	1995-1973	Civic & Civic CRX w/o 4 W/D:	
	Bearing (Outer) .....	BR2		Bearing .....	6002-2RSJ
	(Set Components) .....	LM11949/LM11910	1987-1976	Accord & Prelude:	
1984	Civic & Civic CRX:			Bearing .....	6002-2RSJ
	Seal .....	14600		(Continued)	
	Hub Assembly .....	BR930128			

**Honda Accord, Civic, Civic CRX, Civic 4 W/D wagon, Del Sol, Odyssey, Prelude, 600 -- (Cont.)**

MFG./YEAR	MODEL & LOCATION	PART NO.	MFG./YEAR	MODEL & LOCATION	PART NO.
<b>Clutch (Cont.)</b>			<b>Transaxle-Automatic (Cont.)</b>		
<b>Release</b>			<b>Differential (Cont.)</b>		
1995-1992	Civic Exc. Si:		1991-1990	Prelude:	
	Bearing Assembly .....	N4015		Bearing (R.H.) .....	32010-X
1995-1994	Del Sol w/VTEC Eng.:		1991-1987	Civic Wgn. w/4 W/D:	
	Bearing Assembly .....	N4089		Bearing .....	6208-J
1995-1992	Accord Coupe:		1991-1986	Civic CRX From Ser. 1070473:	
	Bearing Assembly .....	N4045		Bearing .....	6208-J
1995-1993	Del Sol Exc. V-Tec:		1989-1988	Prelude:	
	Bearing Assembly .....	N4015		Bearing (L.H.) .....	BR30208
1995-1992	Prelude w/2.2L & 2.3L Eng.:		1989-1982	Accord:	
	Bearing Assembly .....	N4089		Bearing .....	6208-J
1994-1990	Accord Exc. Coupe:		1987-1983	Prelude:	
	Bearing Assembly .....	N4089		Bearing .....	6208-J
1991	Prelude w/2.0L & 2.5L Eng.:		1986	Civic CRX Thru Ser. 1070472:	
	Bearing Assembly .....	N4045		Bearing .....	6208-ZJ
1991-1990	Prelude w/4 W/S w/o ABS:		1986	Civic Wagovan w/o 4 W/D:	
	Bearing Assembly .....	N4089		Bearing .....	6208-ZJ
1991-1988	Civic & Civic CRX w/o 4 W/D:		1986	Civic Wgn. w/o 4 W/D:	
	Bearing Assembly .....	N4071		Bearing .....	6208-ZJ
1991-1987	Civic 4 W/D Wgn.:		1986-1985	Civic 4 W/D Wgn.:	
	Bearing Assembly .....	N4112		Bearing .....	6208-J
1989-1988	Prelude:		1985-1984	Civic Wgn. w/o 4 W/D:	
	Bearing Assembly .....	N4045		Bearing .....	6207-J
1989-1988	Civic Wagovan:		<b>Front Pump</b>		
	Bearing Assembly .....	N4071	1995-1973	All:	
1989-1982	Accord:			Seal .....	17166
	Bearing (NTN) .....	N4041	<b>Output Shaft</b>		
	Bearing (NSK) .....	N4044	1995-1993	Del Sol:	
1987	Prelude:			Seal (L.H.) .....	14006
	Bearing Assembly .....	N4041		(Speedi-Sleeve) (L.H.) .....	99139
1987-1984	Civic & Civic CRX w/o 4 W/D:			Seal (R.H.) .....	13849
	Bearing Assembly .....	N4037	1995-1992	Accord & Prelude:	
1986-1985	Civic 4 W/D Wgn.:			Seal (L.H.) .....	15829
	Bearing Assembly .....	N4112		(Speedi-Sleeve) (L.H.) .....	99157
1986-1983	Prelude:			Seal (R.H.) .....	15891
	Bearing Assembly .....	N4044	1995	Odyssey:	
1983-1973	Civic:			Seal .....	15891
	Bearing Only .....	N3054	1995-1991	Civic w/1.6L Eng.:	
	Bearing Assembly .....	N3034		Seal (L.H.) .....	15888
1982	Prelude:			Seal (R.H.) .....	13849
	Bearing Assembly .....	N3073	1995-1988	Civic & CRX w/1.5L Eng.:	
1981-1979	Accord:			Seal (L.H.) .....	14006
	Bearing Only .....	N3061		(Speedi-Sleeve) (L.H.) .....	99139
1978-1976	Accord:			Seal (R.H.) .....	13849
	Bearing Only .....	N3054	1991-1990	Prelude:	
	Bearing Assembly .....	N3034		Seal (L.H.) .....	14006
<b>Transaxle-Automatic</b>				(Speedi-Sleeve) (L.H.) .....	99139
<b>Differential</b>				Seal (R.H.) .....	15891
1995-1993	Del Sol:		1991-1989	Civic Wgn. w/1.6L Eng. & 4 W/D:	
	Bearing .....	6208-J		Seal (L.H.) .....	14691
1995	Odyssey:			(Speedi-Sleeve) (L.H.) .....	99147
	Bearing (L.H.) .....	BR30208		Seal (R.H.) .....	15866
1995-1990	Accord Exc. Wgn.:			(Speedi-Sleeve) (R.H.) .....	99157
	Bearing (L.H.) .....	BR30208	1989-1988	Prelude:	
1995-1992	Prelude:			Seal (L.H.) .....	14691
	Bearing (L.H.) .....	BR30208		(Speedi-Sleeve) (L.H.) .....	99147
1995-1987	Civic, Civic Wgn. & Civic Wagovan w/o 4 W/D:			Seal (R.H.) .....	15891
	Bearing .....	6208-J	(Continued)		
1994-1991	Accord Wgn.:				
	Bearing (L.H.) .....	BR30208			

# Passenger cars, light & medium trucks

(Cont.) -- Honda Accord, Civic, Civic CRX, Civic 4 W/D wagon, Del Sol, Odyssey, Prelude, 600

MFG./YEAR	MODEL & LOCATION	PART NO.	MFG./YEAR	MODEL & LOCATION	PART NO.
<b>Transaxle-Automatic (Cont.)</b>			<b>Transaxle-Manual (Cont.)</b>		
<b>Output Shaft (Cont.)</b>			<b>Differential (Cont.)</b>		
<b>1989-1986 Accord:</b>			<b>1995-1993 Del Sol Si:</b>		
	Seal (L.H.)	15867		Bearing	6208-ZJ
	(Speedi-Sleeve) (L.H.)	99157	<b>1991-1988 Civic &amp; Civic CRX:</b>		
	Seal (R.H.)	15989		Bearing (L.H.)	6207-J
	(Speedi-Sleeve) (R.H.)	99157		Bearing (R.H.)	6208-J
<b>1987-1986 Civic Wagon:</b>			<b>1991-1986 Civic Wgn. w/o 4 W/D:</b>		
	Seal (L.H.)	13969		Bearing	6207-J
	(Speedi-Sleeve) (L.H.)	99139	<b>1991-1986 Civic Wgn. w/4 W/D:</b>		
	Seal (R.H.)	13981		Bearing	6208-J
<b>1987-1986 Civic &amp; Civic CRX:</b>			<b>1989-1988 Prelude:</b>		
	Seal (L.H.)	13969		Bearing (L.H.)	BR30208
	(Speedi-Sleeve) (L.H.)	99139	<b>1989-1986 Civic Wagon w/o 4 W/D:</b>		
	Seal (R.H.)	13981		Bearing	6207-J
<b>1987-1985 Prelude w/Fuel Inj.:</b>			<b>1989-1982 Accord:</b>		
	Seal (L.H.)	15989		Bearing	6208-J
	(Speedi-Sleeve) (L.H.)	99157	<b>1987-1981 Civic Exc. Wgn.:</b>		
	Seal (R.H.)	15867		Bearing	6207-J
	(Speedi-Sleeve) (R.H.)	99157	<b>1986 Civic CRX Thru Ser. 1070472:</b>		
<b>1987-1983 Prelude w/o Fuel Inj.:</b>				Bearing	6208-ZJ
	Seal (L.H.)	13969	<b>1985-1984 Civic Wgn.:</b>		
	(Speedi-Sleeve) (L.H.)	99139		Bearing	6207-J
	Seal (R.H.)	13981	<b>1985-1980 Prelude:</b>		
<b>1985 Accord w/Fuel Inj.:</b>				Bearing	6208-J
	Seal (L.H.)	15989	<b>1981-1976 Accord:</b>		
	(Speedi-Sleeve) (L.H.)	99157		Bearing	6207-J
	Seal (R.H.)	15867	<b>1979 Prelude:</b>		
	(Speedi-Sleeve) (R.H.)	99157		Bearing	6207-J
<b>1985-1984 Accord w/o Fuel Inj.:</b>			<b>1972-1970 600:</b>		
	Seal (L.H.)	15989		Bearing	6009-J
	(Speedi-Sleeve) (L.H.)	99157	<b>Input Shaft</b>		
	Seal (R.H.)	13981	<b>1995-1990 Accord; Del Sol Exc. VTEC:</b>		
<b>1985-1973 Civic &amp; Civic CRX w/o 4 W/D:</b>				Seal	10944
	Seal (L.H.)	13748		(Speedi-Sleeve)	99106
	Seal (R.H.)	14006	<b>1995-1988 Civic &amp; Civic CRX w/o 4 W/D:</b>		
	(Speedi-Sleeve) (R.H.)	99139		Seal	10627
<b>1983 Accord:</b>				(Speedi-Sleeve)	99106
	Seal	13969	<b>1995-1988 Prelude:</b>		
	(Speedi-Sleeve)	99139		Seal	10944
<b>1982-1979 Prelude:</b>			<b>1991-1987 Civic Wgn. w/4 W/D:</b>		
	Seal (L.H.)	13748		Seal	10944
	Seal (R.H.)	14006	<b>1989-1988 Civic Wagon:</b>		
	(Speedi-Sleeve) (R.H.)	99139		Seal	10627
<b>1982-1976 Accord:</b>				(Speedi-Sleeve)	99106
	Seal (L.H.)	13748	<b>1989-1984 Accord:</b>		
	Seal (R.H.)	14006		Seal	10627
	(Speedi-Sleeve) (R.H.)	99139		(Speedi-Sleeve)	99106
<b>Shift Shaft</b>			<b>1987-1986 Civic Wagon:</b>		
<b>1995-1973 Accord, Civic, Civic CRX, Odyssey &amp; Prelude:</b>				Seal	8516
	Seal	4710		(Speedi-Sleeve)	99085
	(Speedi-Sleeve)	99049	<b>1987-1984 Prelude:</b>		
<b>Transaxle-Manual</b>				Seal	10627
<b>Differential</b>				(Speedi-Sleeve)	99106
<b>1995-1992 Civic Exc. Si:</b>			<b>1987-1973 Civic &amp; Civic CRX w/o 4 W/D:</b>		
	Bearing	6207-ZJ		Seal	8516
<b>1995-1992 Civic Si:</b>				(Speedi-Sleeve)	99085
	Bearing	6208-ZJ	<b>1986 Civic Wgn. w/4 W/D:</b>		
<b>1995-1993 Del Sol Exc. Si:</b>				Seal	10944
	Bearing	6207-ZJ	(Continued)		

## Passenger cars, light & medium trucks

### Honda Accord, Civic, Civic CRX, Civic 4 W/D wagon, Del Sol, Odyssey, Prelude, 600 -- (Cont.)

MFG./YEAR	MODEL & LOCATION	PART NO.	MFG./YEAR	MODEL & LOCATION	PART NO.
<b>Transaxle-Manual (Cont.)</b>			<b>Transaxle-Manual (Cont.)</b>		
<b>Input Shaft (Cont.)</b>			<b>Output Shaft (Cont.)</b>		
<b>1983-1979 Accord &amp; Prelude:</b>			<b>1989-1988 Prelude:</b>		
	Seal .....	9725		Seal (L.H.) .....	15733
	(Speedi-Sleeve) .....	99098		Seal (R.H.) .....	14691
<b>1978-1976 Accord:</b>				(Speedi-Sleeve) (R.H.) .....	99147
	Seal .....	8516	<b>1989-1988 Civic Wagon:</b>		
	(Speedi-Sleeve) .....	99085		Seal (L.H.) .....	14006
<b>1972-1970 600:</b>				(Speedi-Sleeve) (L.H.) .....	99139
	Seal .....	7900		Seal (R.H.) .....	13966
	(Speedi-Sleeve) .....	99078		(Speedi-Sleeve) (R.H.) .....	99139
<b>Output Shaft</b>			<b>1989-1986 Accord:</b>		
<b>1995-1992 Civic:</b>				Seal (L.H.) .....	14691
	Seal (L.H.) .....	14006		(Speedi-Sleeve) (L.H.) .....	99147
	(Speedi-Sleeve) (L.H.) .....	99139		Seal (R.H.) .....	15866
	Seal (R.H.) .....	13966		(Speedi-Sleeve) (R.H.) .....	99157
	(Speedi-Sleeve) (R.H.) .....	99139	<b>1987-1986 Civic Wagon:</b>		
<b>1995-1993 Del Sol V-Tec:</b>				Seal (L.H.) .....	13976
	Seal (L.H.) .....	14006		(Speedi-Sleeve) (L.H.) .....	99139
	(Speedi-Sleeve) (L.H.) .....	99139		Seal (R.H.) .....	13452
	Seal (R.H.) .....	15989		(Speedi-Sleeve) (R.H.) .....	99134
	(Speedi-Sleeve) (R.H.) .....	99157	<b>1987-1984 Civic &amp; Civic CRX w/o 4 W/D:</b>		
<b>1995-1993 Del Sol:</b>				Seal (L.H.) .....	13976
	Seal (L.H.) .....	14006		(Speedi-Sleeve) (L.H.) .....	99139
	(Speedi-Sleeve) (L.H.) .....	99139		Seal (R.H.) .....	13452
	Seal (R.H.) .....	13966		(Speedi-Sleeve) (R.H.) .....	99134
	(Speedi-Sleeve) (R.H.) .....	99139	<b>1987-1984 Prelude:</b>		
<b>1995-1992 Accord Exc. Wgn.; Prelude:</b>				Seal (L.H.) .....	14691
	Seal (L.H.) .....	14006		(Speedi-Sleeve) (L.H.) .....	99147
	(Speedi-Sleeve) (L.H.) .....	99139		Seal (R.H.) .....	13981
	Seal (R.H.) .....	15796	<b>1986 Civic Wgn. w/4 W/D:</b>		
<b>1994-1991 Accord Wgn.:</b>				Seal (L.H.) .....	14691
	Seal (L.H.) .....	14006		(Speedi-Sleeve) (L.H.) .....	99147
	(Speedi-Sleeve) (L.H.) .....	99139		Seal (R.H.) .....	15866
	Seal (R.H.) .....	15838		(Speedi-Sleeve) (R.H.) .....	99157
	(Speedi-Sleeve) (R.H.) .....	99157	<b>1985-1984 Accord w/o Fuel Inj.:</b>		
<b>1991-1990 Accord Exc. Wgn.:</b>				Seal (L.H.) .....	13849
	Seal (L.H.) .....	14006		(Speedi-Sleeve) (L.H.) .....	99139
	(Speedi-Sleeve) (L.H.) .....	99139		Seal (R.H.) .....	14691
	Seal (R.H.) .....	15838		(Speedi-Sleeve) (R.H.) .....	99147
	(Speedi-Sleeve) (R.H.) .....	99157	<b>1985-1984 Accord w/Fuel Inj.:</b>		
<b>1991-1990 Civic &amp; Civic CRX w/1.6L Eng.:</b>				Seal (L.H.) .....	15866
	Seal (L.H.) .....	15888		(Speedi-Sleeve) (L.H.) .....	99157
	Seal (R.H.) .....	13966		Seal (R.H.) .....	14691
	(Speedi-Sleeve) (R.H.) .....	99139		(Speedi-Sleeve) (R.H.) .....	99147
<b>1991-1990 Prelude:</b>			<b>1983-1979 Accord &amp; Prelude:</b>		
	Seal (L.H.) .....	15838		Seal (L.H.) .....	13849
	(Speedi-Sleeve) (L.H.) .....	99157		(Speedi-Sleeve) (L.H.) .....	99139
	Seal (R.H.) .....	14006		Seal (R.H.) .....	13969
	(Speedi-Sleeve) (R.H.) .....	99139		(Speedi-Sleeve) (R.H.) .....	99139
<b>1991-1988 Civic &amp; Civic CRX w/1.5L Eng.:</b>			<b>1983-1973 Civic:</b>		
	Seal (L.H.) .....	14006		Seal (L.H.) .....	13748
	(Speedi-Sleeve) (L.H.) .....	99139		Seal (R.H.) .....	14006
	Seal (R.H.) .....	13966		(Speedi-Sleeve) (R.H.) .....	99139
	(Speedi-Sleeve) (R.H.) .....	99139	<b>1978-1976 Accord:</b>		
<b>1991-1986 Civic Wgn. w/4 W/D:</b>				Seal (L.H.) .....	13748
	Seal (L.H.) .....	14691		Seal (R.H.) .....	14006
	(Speedi-Sleeve) (L.H.) .....	99147		(Speedi-Sleeve) (R.H.) .....	99139
	Seal (R.H.) .....	15866	<b>1972-1970 600:</b>		
	(Speedi-Sleeve) (R.H.) .....	99157		Seal (L.H.) .....	21128

(Continued)

# Passenger cars, light & medium trucks

(Cont.) -- Honda Accord, Civic, Civic CRX, Civic 4 W/D wagon, Del Sol, Odyssey, Prelude, 600

MFG./YEAR	MODEL & LOCATION	PART NO.	MFG./YEAR	MODEL & LOCATION	PART NO.
<b>Transaxle-Manual (Cont.)</b>			<b>Alternator (Cont.)</b>		
<b>Shift Shaft</b>			1976-1973 Civic Hatchback:		
1989-1988	5 Spd. Trans.:		Bearing (Front)		6202-ZJ
	Seal	6404	Bearing (Rear)		6201-ZJ
	(Speedi-Sleeve)	99058	1975 Civic Sed. & Wgn.:		
<b>Transfer Case</b>			Bearing (Front)		6202-ZJ
<b>Output Shaft</b>			Bearing (Rear)		6201-ZJ
1991-1987	Civic Wgn. w/4 W/D:		<b>Engine</b>		
	Seal	14756	<b>Auxiliary Shaft</b>		
	Bearing (Front)	BR32007	1995	Odyssey:	
1986-1985	Civic Wgn. w/4 W/D:		Seal		10584
	Seal	14756	<b>Balance Shaft</b>		
	Bearing (Front)	BR32007	1995	Odyssey:	
	Bearing (Rear)	BR32	Balance Shaft Tensioner		VKM73011
<b>Alternator</b>			<b>Camshaft</b>		
1995	Odyssey:		1995-1990	Accord, Prelude & Odyssey w/2.2L & 2.3L SOHC Eng.:	
	Bearing (Front)	AB15	Seal		10922
1995	Civic; Accord w/V6 Eng.:		(Speedi-Sleeve)		99111
	Bearing (Front)	6303-2RSJ	1995-1983	Civic & CRX:	
	Bearing (Rear)	AB4	Seal		11429
1995	Civic w/Mitsubishi Alt:		1995	Accord w/2.7L Eng.:	
	Bearing (Front)	6303-2RSJ	Seal		14012
	Bearing (Rear)	AB4	(Speedi-Sleeve)		99146
1994-1993	Accord Wgn.:		1991-1988	Prelude w/2.0L DOHC Eng.:	
	Bearing (Front)	AB15	Seal		10634
1994-1992	Civic CX & DX:		1990-1988	Prelude w/2.0L SOHC Eng.:	
	Bearing (Front)	6303-2RSJ	Seal		11429
1992-1990	Accord:		1982-1973	All:	
	Bearing (Front)	AB1	Seal		10634
1989-1988	Mitsubishi Alt.:		(Speedi-Sleeve)		99106
	Bearing (Front)	AB6	1972-1970	All:	
	Bearing (Rear)	AB4	Seal		7900
1988	Mitsuba Alt.:		(Speedi-Sleeve)		99078
	Bearing (Front)	6302-2RSJ	<b>Crankshaft-Rear</b>		
	Bearing (Rear)	AB4	1995	Accord w/V6 Eng.:	
1987-1979	Prelude w/o Fuel Inj.:		Seal		31507
	Bearing (Front)	6203-2RSJ	(Speedi-Sleeve)		99315
	Bearing (Rear)	6201-2RSJ	1995	Odyssey:	
1985-1984	Civic Wgn. w/o 4 W/D:		Seal		31492
	Bearing	[2] 6203-RSJ	(Speedi-Sleeve)		99315
1984	Accord & Civic w/o Fuel Inj.:		1995-1992	Civic & Del Sol w/1.5L & 1.6L Eng.:	
	Bearing (Rear)	6203-RSJ	Seal		31492
1984	Accord & Civic w/Fuel Inj.:		(Speedi-Sleeve)		99315
	Bearing	[2] 6203-RSJ	1995-1989	2.0L, 2.2L, 2.3L & 2.5L Eng.:	
1983-1980	Civic:		Seal		31511
	Bearing (Front)	6203-2RSJ	(Speedi-Sleeve)		99317
	Bearing (Rear)	6201-2RSJ	1991-1983	1.3L, 1.5L & 1.6L Eng.:	
1983-1976	Accord:		Seal		31511
	Bearing (Front)	6203-2RSJ	(Speedi-Sleeve)		99317
	Bearing (Rear)	6201-2RSJ	1988	Prelude:	
1979	Civic Hatchback:		Seal		31492
	Bearing (Front)	6303-2RSJ	(Speedi-Sleeve)		99317
	Bearing (Rear)	6201-2RSJ	1987-1979	1.8L Eng.:	
1979-1976	Civic Exc. Hatchback:		Seal		29865
	Bearing (Front)	6202-2RSJ	(Speedi-Sleeve)		99300
	Bearing (Rear)	6201-ZJ	1982	1.2L & 1.3L Eng.:	
1978-1977	Civic Hatchback:		Seal		29112
	Bearing (Front)	6303-2RSJ			(Continued)
	Bearing (Rear)	6201-ZJ			

## Passenger cars, light & medium trucks

### Honda Accord, Civic, Civic CRX, Civic 4 W/D wagon, Del Sol, Odyssey, Prelude, 600 -- (Cont.)

MFG./YEAR	MODEL & LOCATION	PART NO.	MFG./YEAR	MODEL & LOCATION	PART NO.
<b>Engine (Cont.)</b>			<b>Engine (Cont.)</b>		
<b>Crankshaft-Rear (Cont.)</b>			<b>Timing Belt and Tensioner Kit (Cont.)</b>		
1981-1979	1.2L & 1.3L Engs.:		1991-1988	Civic w/SOHC Eng.:	
	Seal (74mm Sh.) .....	29112		Belt & Tensioner Kit .....	VKMA93001
	Seal (76mm Sh.) .....	29865	1990-1988	CRX w/1.5L & 1.6L Engs.:	
	(Speedi-Sleeve) (76mm Sh.) .....	99300		Belt & Tensioner Kit .....	VKMA93500
1978-1973	1.2L & 1.3L Engs.:		1989-1986	Accord w/2.0L Eng.:	
	Seal .....	29112		Belt & Tensioner Kit .....	VKMA93200
1972-1970	600:		1987-1986	Civic w/1.3L & 1.5L Eng.:	
	Seal .....	26388		Belt & Tensioner Kit .....	VKMA93101
<b>Oil Pump</b>			1985-1984	Accord w/1.6L & 1.8L Engs.:	
1995	Accord w/V6 Eng.:			Belt & Tensioner Kit .....	VKMA93200
	Seal .....	16473	<b>Timing Cover</b>		
1995-1991	2.2L Fuel Inj. & 2.3L Engs.:		1995	Accord w/6 Cyl. Eng.:	
	Seal .....	10584		Seal .....	16473
<b>Timing Belt Tensioner</b>			1995-1990	Accord w/4 Cyl. Eng.:	
1995-1990	Accord w/2.2L Eng.; Prelude & Odyssey:			Seal .....	16022
	Bearing & Housing Assy. (Lower) .....	VKM73011		(Superseded by).....	16442
	Bearing & Housing Assy. (Upper) .....	VKM73600	1995-1984	Civic, CRX & Del Sol:	
1995	Civic w/1.6L Eng. Exc. Si:			Seal .....	12301
	Bearing & Housing Assy. ....	VKM73201		(Speedi-Sleeve) .....	99123
1995	Del Sol w/1.6L DOHC Eng.:		1995-1992	Odyssey & Prelude:	
	Bearing & Housing Assy. ....	VKM73201		Seal .....	16022
1995	2.7L Eng.:			(Superseded by).....	16442
	Bearing & Housing Assy. ....	VKM73610	1991-1988	Prelude:	
1994-1988	Civic & Civic CRX:			Seal .....	14759
	Bearing & Housing Assy. ....	VKM73000		(Speedi-Sleeve) .....	99147
1991-1990	Prelude:		1989-1986	Accord:	
	Bearing & Housing Assy. ....	VKM73200		Seal .....	14125
1987-1986	Civic:			(Speedi-Sleeve) .....	99139
	Bearing & Housing Assy. ....	VKM73101	1985-1983	1.8L Eng.:	
1987-1983	Accord & Prelude:			Seal .....	14125
	Bearing & Housing Assy. ....	VKM73200		(Speedi-Sleeve) .....	99139
1985-1980	Civic:		1983-1982	Civic:	
	Bearing & Housing Assy. ....	VKM73102		Seal .....	13946
				(Speedi-Sleeve) .....	99139
<b>Timing Belt and Tensioner Kit</b>			1981-1973	Civic:	
1995-1993	Civic w/1.6L SOHC Eng.:			Seal .....	13907
	Belt & Tensioner Kit .....	VKMA93006		(Speedi-Sleeve) .....	99139
1995	Odyssey w/2.2 L Eng.:		1972-1970	600:	
	Belt & Tensioner Kit .....	VKMA93600		Seal .....	12749
1995-1994	Civic Del Sol w/1.6L DOHC Eng.:			(Speedi-Sleeve) .....	99128
	Bearing & Tensioner Kit .....	VKMA93201	<b>Steering-Power</b>		
1995-1990	Accord w/2.2L Eng. Exc. V-Tec & EX Models:		<b>Pump Shaft</b>		
	Belt & Tensioner Kit .....	VKMA93600	1995	Accord w/V6 Eng.:	
1995-1993	Del Sol w/1.6L Eng.:			Seal .....	7012
	Belt & Tensioner Kit .....	VKMA93006	1995-1993	Accord Sed. & Coupe w/o V6 Eng.:	
1995-1993	Prelude w/2.2L Eng. Exc. V-Tec & DOHC:			Seal .....	7205
	Belt & Tensioner Kit .....	VKMA93600	1992-1990	Accord Coupe:	
1995	Civic CX & DX w/1.5L Eng.:			Seal .....	7745
	Belt & Tensioner Kit .....	VKMA93500	1989-1986	Civic Wagon:	
1994-1992	Civic w/1.5L Eng. Exc. VX:			Seal .....	6247
	Belt & Tensioner Kit .....	VKMA93500	1989-1985	Accord & Civic Exc. 4 W/D Wgn.; Prelude:	
1992	Civic w/1.6L Eng. Exc. Si:			Seal .....	6247
	Belt & Tensioner Kit .....	VKMA93500	1981	Prelude:	
1991	CRX Exc. Si:			Seal .....	5803
	Belt & Tensioner Kit .....	VKMA93500	1981-1976	Accord:	
1991-1988	Civic w/1.5L & 1.6L Engs.:			Seal .....	5803
	Belt & Tensioner Kit .....	VKMA93500			
1991-1988	Prelude:				
	Belt & Tensioner Kit .....	VKMA93009			



MFG./YEAR	MODEL & LOCATION	PART NO.	MFG./YEAR	MODEL & LOCATION	PART NO.
<b>Wheel Front</b>			<b>Engine</b>		
1995-1994 Passport:			<b>Camshaft</b>		
	Seal .....	23278	1995-1994 Passport w/3.2L Eng.:		
	Bearing (Inner) .....	32009-XJA		Seal .....	11592
	Bearing (Outer) .....	32008-X		(Speedi-Sleeve) .....	99114
<b>Wheel Rear</b>			1995-1994 Passport w/2.6L Eng.:		
1995-1994 Passport w/4 W/D & 3.2L Eng.:				Seal .....	11592
	Seal .....	18731		(Speedi-Sleeve) .....	99114
	Sealed Bearing w/Lock Ring .....	GRW131-R	<b>Crankshaft-Rear</b>		
1995-1994 Passport w/2 W/D & 2.6L Eng.:			1995-1994 Passport w/3.2L Eng.:		
	Seal .....	14002		Seal (Rear) .....	37030
	Bearing .....	R1563-TAV		(Speedi-Sleeve) .....	99369
<b>Pinion</b>			1995-1994 Passport w/2.6L Eng.:		
<b>Front Axle</b>				Seal (Rear) .....	37030
1995-1994 Passport:				(Speedi-Sleeve) (Rear) .....	99369
	Seal .....	◇16021	<b>Timing Belt Idler</b>		
	(Superseded by:)	16441	1995 Passport w/3.2L Eng.:		
	Bearing (Front) .....	BR30306		Bearing & Housing Assy. ....	VKM89000
	Bearing (Rear) .....	BR32307	<b>Timing Belt Tensioner</b>		
<b>Rear Axle</b>			1995 Passport w/3.2L Eng.:		
1995-1994 Passport w/3.2L Eng.:				Bearing & Housing Assy. ....	VKM79007
	Seal .....	15791	1995-1994 Passport w/2.6L Eng.:		
	(Speedi-Sleeve) .....	99155		Bearing & Housing Assy. ....	VKM79000
	Bearing (Front) .....	BR02872/BR02820	<b>Timing Belt and Tensioner Kit</b>		
	Bearing (Rear) .....	HM88649/HM88610	1995-1994 Passport w/3.2L Eng.:		
1995-1994 Passport w/2.6L Eng.:				Belt & Tensioner Kit .....	VKMA99011
	Seal .....	14755	1995-1994 Passport w/2.6L Eng.:		
	(Speedi-Sleeve) .....	99147		Belt & Tensioner Kit .....	VKMA99003
	Bearing (Front) .....	M86649/M86610	<b>Timing Cover</b>		
	Bearing (Rear) .....	HM89249/HM89210	1995-1994 Passport w/3.2L Eng.:		
<b>Differential</b>				Seal .....	16471
<b>Front Axle</b>			1995-1994 Passport w/2.6L Eng.:		
1995-1994 Passport:				Seal .....	15829
	Bearing .....	[2] BR35		(Speedi-Sleeve) .....	99157
	(Set Components) .....	LM501349/LM501310	<b>Steering-Power</b>		
<b>Rear Axle</b>			<b>Pump Shaft</b>		
1995-1994 Passport w/3.2L Eng.:			1995-1994 Passport w/3.2L Eng.:		
	Bearing .....	[2] BR25590/BR25523		Seal Kit .....	7924
1995-1994 Passport w/2.6L Eng.:			1995-1994 Passport w/2.6L Eng.:		
	Bearing .....	[2] BR25590		Seal Kit .....	6622
<b>Clutch</b>					
<b>Pilot</b>					
1995-1994 Passport w/3.2L Eng.:					
	Bearing .....	6203-VSP20			
1995-1994 Passport w/2.6L Eng.:					
	Bearing .....	6203-2RSJ			
<b>Release</b>					
1995-1994 Passport w/2.6L Eng.:					
	Bearing Assembly .....	N4008-SA			
<b>Alternator</b>					
1995-1994 Passport:					
	Bearing (Front) .....	6303-2RSJ			
<b>Drive Shaft</b>					
1995-1994 Passport:					
	Bearing (Center) .....	HB1550-10			

## Passenger cars, light & medium trucks

### Humber

MFG./YEAR	MODEL & LOCATION	PART NO.	MFG./YEAR	MODEL & LOCATION	PART NO.
<b>Wheel Front</b>			<b>Transmission-Automatic</b>		
<b>1977-1968 Sceptre:</b>			<b>Rear</b>		
	Bearing (Inner) .....	BR4	<b>1961-1957 Estate Car, Hawk Series &amp; Super Snipe Series</b>		
	(Set Components) .....	L44649/L44610	<b>I, II &amp; III:</b>		
	Bearing (Outer) .....	BR2	Seal .....		15620
	(Set Components) .....	LM11949/LM11910	(Speedi-Sleeve) .....		99156
<b>Wheel Rear</b>			<b>Transmission-Manual</b>		
<b>1967-1958 New Super Snipe &amp; Super Snipe Series:</b>			<b>Rear</b>		
	Seal .....	17386	<b>1961-1958 Super Snipe Series:</b>		
<b>1965-1957 New Hawk, New Hawk Series &amp; Estate Car:</b>			Seal .....		14938
	Seal .....	17386	(Speedi-Sleeve) .....		99149
<b>Pinion</b>			<b>1961-1957 Estate Car &amp; New Hawk Series:</b>		
<b>1971-1968 Estate Car, New Hawk Series &amp; Sceptre</b>			Seal .....		14938
<b>w/Diff. Hsg. 5221255 &amp; Super Snipe:</b>			(Speedi-Sleeve) .....		99149
	Seal .....	15039	<b>1961-1952 Super Snipe, Series I, II, III &amp; MKII w/O/D:</b>		
	(Speedi-Sleeve) .....	99149	Seal .....		16719
	Bearing .....	M84548/M84510	(Speedi-Sleeve) .....		99168
<b>1971-1957 Series I, II &amp; III:</b>			<b>1961-1946 Estate Car &amp; Hawk Series w/O/D:</b>		
	Seal .....	16368	Seal .....		16719
	(Speedi-Sleeve) .....	99162	(Speedi-Sleeve) .....		99168
	Bearing (Front) .....	M84548/M84510	<b>1953-1948 MKI, II, III &amp; Pulman:</b>		
<b>Differential</b>			Seal .....		17386
<b>1977-1968 Sceptre:</b>			(Speedi-Sleeve) .....		99174
	Bearing .....	BR35			
	(Set Components) .....	LM501349/LM501310			

### Hyundai

<b>Wheel Front</b>			<b>Wheel Rear (Cont.)</b>		
<b>1995 Accent:</b>			<b>1995-1991 Scoupe:</b>		
	Seal .....	19612	Seal .....		15363
	Bearing .....	[2] BR41	Bearing .....	[2]	GRW153
<b>1995 Sonata:</b>			<b>1994-1989 Excel From 8/89:</b>		
	Sealed Bearing .....	FW185	Seal .....		15363
<b>1995-1986 Elantra, Excel &amp; Scoupe:</b>			Bearing .....	[2]	GRW153
	Seal .....	19612	<b>1991-1989 Sonata Thru 5/91:</b>		
	Bearing .....	[2] BR41	Seal .....		17742
<b>1994-1989 Sonata:</b>			Bearing (Inner) .....		BR6
	Seal (Inner) .....	21281	(Set Components) .....		LM67048/LM67010
	Seal (Outer) .....	20463	Bearing (Outer) .....		BR2
	Bearing .....	FW101	(Set Components) .....		LM11949/LM11910
<b>1986 Pony &amp; Stellar (Exc. Canadian Models):</b>			<b>1989-1986 Excel Thru 7/89:</b>		
	Seal .....	14709	Seal .....		14709
	Bearing (Inner) .....	BR4	Bearing (Inner) .....		BR4
	(Set Components) .....	L44649/L44610	(Set Components) .....		L44649/L44610
	Bearing (Outer) .....	BR1	Bearing (Outer) .....		BR1
	(Set Components) .....	LM11749/LM11710	(Set Components) .....		LM11749/LM11710
<b>1986 Pony &amp; Stellar (Canadian Models):</b>			<b>1986 Pony:</b>		
	Seal .....	15819	Seal .....		20420
	Bearing (Inner) .....	BR4	Bearing .....		6207-2RSJ
	(Set Components) .....	L44649/L44610	<b>1986 Stellar w/Korea Spicer Axle &amp; 10 Bolt Hole</b>		
	Bearing (Outer) .....	BR1	<b>Cvr.:</b>		
	(Set Components) .....	LM11749/LM11710	Seal .....		16735
<b>Wheel Rear</b>			Bearing .....		BR9
<b>1995-1991 Sonata:</b>			<b>1986 Stellar w/MIP Axle &amp; 8 Bolt Hole Cvr.:</b>		
	Hub Assembly .....	BR930275	Seal .....		20420
<b>1995 Accent:</b>			Bearing .....		6207-2RSJ
	Hub Assembly .....	BR930175	(Continued)		
<b>1995-1992 Elantra:</b>					
	Seal .....	15300			
	Bearing .....	[2] GRW153			

MFG./YEAR	MODEL & LOCATION	PART NO.	MFG./YEAR	MODEL & LOCATION	PART NO.
<b>Pinion</b>			<b>Transaxle-Automatic (Cont.)</b>		
<b>Rear Axle</b>			<b>Output Shaft</b>		
1986	Pony:		1995	Accent:	
	Bearing (Front) .....	30305-C		Seal .....	14006
	Bearing (Rear) .....	BR32207		(Speedi-Sleeve) .....	99139
1986	Stellar w/Korea Spicer Axle:		1995	Sonata:	
	Bearing (Front) .....	BR52		Seal .....	13907
	(Set Components) .....	M88048/M88010		(Speedi-Sleeve) .....	99139
	Bearing (Rear) .....	BR32207	1994-1990	All:	
1986	Stellar w/MIP Axle:			Seal .....	13994
	Bearing (Front) .....	30305-C		(Speedi-Sleeve) .....	99139
	Bearing (Rear) .....	BR32207	1989-1986	Excel:	
				Seal .....	14006
				(Speedi-Sleeve) .....	99139
<b>Differential</b>			<b>Transaxle-Manual</b>		
<b>Rear Axle</b>			<b>Differential</b>		
1986	Pony:		1995-1992	Elantra:	
	Bearing .....	BR32207		Bearing .....	BR30207
1986	Stellar w/MIP Axle:		1995	Accent:	
	Bearing .....	BR32207		Bearing .....	6207-J
<b>Clutch</b>			1995	Sonata:	
<b>Release</b>				Bearing .....	[2] BR32207
1995	Accent:		1995-1990	Excel & Scoupe:	
	Bearing Assembly .....	N3067		Bearing .....	6207-J
1995-1989	Sonata:		1994-1992	Sonata w/2.0L Eng.:	
	Bearing Assembly .....	N3067		Bearing .....	BR30207
1995-1986	Elantra, Excel & Scoupe:		1989-1986	Excel:	
	Bearing Assembly .....	N3067		Bearing .....	6207-J
1986	Pony w/4 Spd. Transaxle:		<b>Input Shaft</b>		
	Bearing Only .....	N3055	1995-1992	From 9/92:	
	Bearing Assembly .....	N4144		Seal .....	9706
1986	Pony w/5 Spd. Transaxle:			(Speedi-Sleeve) .....	99098
	Bearing Assembly .....	N4144	1992-1990	Thru 8/92:	
1986	Stellar:			Seal .....	9709
	Bearing Assembly .....	N4144		(Speedi-Sleeve) .....	99098
<b>Transaxle-Automatic</b>			1989-1986	Excel:	
<b>Differential</b>				Seal .....	9706
1995	Accent:			(Speedi-Sleeve) .....	99098
	Bearing .....	6207-J	<b>Output Shaft</b>		
1995-1992	Elantra w/1.6L Eng.:		1995	Accent:	
	Bearing .....	6207-J		Seal .....	14006
1994-1990	Excel:			(Speedi-Sleeve) .....	99139
	Bearing .....	6207-J	1995	Sonata:	
1992-1991	Scoupe Thru 8/92:			Seal .....	13907
	Bearing .....	6207-J		(Speedi-Sleeve) .....	99139
1990-1989	Sonata w/2.4L Eng.:		1994-1990	All:	
	Bearing .....	BR32207		Seal .....	13994
1989-1988	Excel From 10/88:			(Speedi-Sleeve) .....	99139
	Bearing .....	6306-NRJ	1989-1986	Excel:	
1988-1986	Excel Thru 9/88:			Seal .....	14006
	Bearing .....	6207-J		(Speedi-Sleeve) .....	99139
<b>Front Pump</b>			<b>Transmission-Automatic</b>		
1995-1990	All:		<b>Front Pump</b>		
	Seal .....	16984	1986	Pony & Stellar:	
	(Speedi-Sleeve) .....	99182		Seal .....	14772
1989-1986	Excel:			(Speedi-Sleeve) .....	99147
	Seal .....	16897	<b>Rear</b>		
	(Speedi-Sleeve) .....	99182	1986	Pony & Stellar:	
				Seal .....	15463
					(Continued)

Hyundai -- (Cont.)

MFG./YEAR	MODEL & LOCATION	PART NO.	MFG./YEAR	MODEL & LOCATION	PART NO.
<b>Transmission-Manual</b>			<b>Engine (Cont.)</b>		
<b>Front</b>			<b>Timing Belt Tensioner (Cont.)</b>		
1986	Pony & Stellar:		1995-1992	Sonata w/2.0L Eng.:	
	Seal .....	9706		Balance Shaft Tensioner .....	VKM75044
	(Speedi-Sleeve) .....	99098		Belt & Tensioner Kit .....	VKM75144
<b>Rear</b>			1995-1990	Sonata w/3.0L Eng.:	
1986	Pony & Stellar:			Bearing & Housing Assy. ....	VKM75004
	Seal .....	13738	1995	Scoupe w/1.5L Eng.:	
	(Speedi-Sleeve) .....	99138		Bearing & Housing Assy. ....	VKM75006
<b>Alternator</b>			1995-1993	Elantra:	
1988-1986	All:			Balance Shaft Tensioner .....	VKM75044
	Bearing (Front) .....	6203-2RSJ		Belt & Tensioner Kit .....	VKM75144
	Bearing (Rear) .....	6201-2RSJ	1991-1989	Sonata w/2.4L Eng.:	
<b>Engine</b>				Bearing & Housing Assy. ....	VKM75119
<b>Auxiliary Shaft</b>			<b>Timing Belt and Tensioner Kit</b>		
1995	Sonata w/2.0L Eng.:		1995-1992	Sonata w/2.0L Eng.:	
	Seal .....	9717		Belt & Tensioner Kit .....	VKMA95005
	(Speedi-Sleeve) .....	99098	1995-1990	Sonata w/3.0L Eng.:	
<b>Camshaft</b>				Belt & Tensioner Kit .....	VKMA95003
1995-1989	1.5L Eng.:		1995-1992	Elantra w/1.6L Eng.:	
	Seal .....	13943		Belt & Tensioner Kit .....	VKMA95013
	(Speedi-Sleeve) .....	99139	1994-1993	Elantra w/1.8L Eng.:	
1995-1992	1.6L, 1.8L & 2.0L Engs.:			Belt & Tensioner Kit .....	VKMA95005
	Seal .....	13967	1994-1990	Excel w/1.5L Eng.:	
	(Speedi-Sleeve) .....	99139		Belt & Tensioner Kit .....	VKMA95207
1995-1989	2.4L & 3.0L Engs.:		1993-1991	Scoupe:	
	Seal .....	13943		Belt & Tensioner Kit .....	VKMA92001
	(Speedi-Sleeve) .....	99139	1991-1989	Sonata w/2.4L Eng.:	
<b>Crankshaft-Rear</b>				Belt & Tensioner Kit .....	VKMA95017
1995	Elantra:		<b>Timing Cover</b>		
	Seal .....	17154	1995	Accent:	
1995	1.5L Eng.:			Seal .....	13709
	Seal .....	28308		(Speedi-Sleeve) .....	99139
	(Speedi-Sleeve) .....	99284	1995	Sonata w/3.0L Eng.:	
1995	Sonata w/3.0L Eng.:			Seal .....	14477
	Seal .....	35905	1995-1992	1.6L, 1.8L & 2.0L Engs.:	
1994-1992	Elantra w/1.6L & 1.8L Engs.:			Seal .....	17154
	Seal .....	31506	1994-1992	1.5L Eng. From 10/92:	
	(Speedi-Sleeve) .....	99315		Seal .....	11671
1994-1990	3.0L Eng.:			(Speedi-Sleeve) .....	99114
	Seal .....	35905	1993-1990	3.0L Eng.:	
1994-1986	1.3L & 1.5L Engs.:			Seal .....	14477
	Seal .....	28308	1992-1986	1.3L & 1.5L Engs. From 5/86 Thru 9/92:	
	(Speedi-Sleeve) .....	99284		Seal .....	11671
1991-1989	2.4L Eng.:			(Speedi-Sleeve) .....	99114
	Seal .....	31506	1991-1989	2.4L Eng.:	
	(Speedi-Sleeve) .....	99315		Seal .....	17154
1986	1.4L & 1.6L Engs.:		1986	1.3L & 1.5L Engs. Thru 4/86:	
	Seal .....	28308		Seal .....	11671
	(Speedi-Sleeve) .....	99284		(Speedi-Sleeve) .....	99114
<b>Timing Belt Tensioner</b>			1986	1.4L & 1.6L Engs.:	
1995	Accent:			Seal .....	17168
	Bearing & Housing Assy. ....	VKM75006			

MFG./YEAR	MODEL & LOCATION	PART NO.	MFG./YEAR	MODEL & LOCATION	PART NO.
<b>Wheel Front</b>			<b>Pinion</b>		
1980-1972	FA3, FA13 (Spicer 30), FA43 & FA44 (Spicer 44) Axles:		<b>Front Axle</b>		
	Seal	23300	1980-1971	FA43 & FA44 (Spicer 44) Axles:	
	Bearing (Inner)	BR50		Seal	15788
	(Set Components)	LM102949/LM102910		(Speedi-Sleeve)	99155
	Bearing (Outer)	BR35		Bearing (Front)	BR31594/BR31520
	(Set Components)	LM501349/LM501310		Bearing (Rear)	BR02872/BR02820
1971-1967	FA11, FA14 (Spicer 27), FA21 & FA24 (Spicer 30) Axles From Ser. FC60131, G165000:		1980-1961	FA11, FA13, FA21 (Spicer 30) & FA24 (Spicer 27) Axles:	
	Seal	21121		Seal	15788
	Bearing	[2] BR35		(Speedi-Sleeve)	99155
	(Set Components)	LM501349/LM501310		Bearing (Front)	HM88649/HM88610
1971-1961	FA4 (IHC) Axle:			Bearing (Rear)	BR02872/BR02820
	Seal	16520	1971-1967	FA14 (Spicer 27) Axle From Ser. FC15544, G165000:	
	Bearing (Inner)	BR15123/BR15245		Seal	15788
	Bearing (Outer)	BR09067/BR09195		(Speedi-Sleeve)	99155
1967-1961	FA11, FA14 (Spicer 27), FA21 & FA24 (Spicer 30) Axles Thru Ser. FC60130:			Bearing (Front)	HM88649/HM88610
	Seal	21101		Bearing (Rear)	BR02872/BR02820
	Bearing	[2] BR18590/BR18520	1967-1961	FA14 (Spicer 27) Axle Thru Ser. FC15543:	
<b>Axle Shaft</b>				Seal	15788
1980-1971	FA43 & FA44 (Spicer 44) Axles:			(Speedi-Sleeve)	99155
	Seal	13165		Bearing (Front)	HM88649/HM88610
1980-1961	FA11, FA14 (Spicer 27) & FA21 (Spicer 30) Axles:			Bearing (Rear)	M86647/M86610
	Seal	11771	<b>Rear Axle</b>		
1972-1971	FA13 (Spicer 30) Axle:		1980-1961	RA9, RA18, RA23 & RA28 (Spicer 44) Axles:	
	Seal	11800		Seal	15788
				(Speedi-Sleeve)	99155
<b>Spindle Hub</b>				Bearing (Front)	BR02872/BR02820
1980-1973	FA43 & FA44 (Spicer 44) Axles:			Bearing (Rear)	BR31594/BR31520
	Seal (Inner)	22311	1968-1967	RA4 & RA14 (Spicer 27) Axles From Ser. FC7727 & G165000:	
	Seal (Outer)	711818		Seal	15788
	Bearing Assembly	B2110		(Speedi-Sleeve)	99155
	Seal & Bearing Kit	BK1		Bearing (Front)	BR02872/BR02820
1972-1971	FA43 & FA44 (Spicer 44) Axles:			Bearing (Rear)	HM88649/HM88610
	Seal (Inner)	19992	1967-1961	RA4 & RA14 (Spicer 27) Axles Thru Ser. FC7726:	
	Seal (Outer)	711818		Seal	15788
	Bearing Assembly	B2110		(Speedi-Sleeve)	99155
	Seal & Bearing Kit	BK2		Bearing (Front)	M86647/M86610
				Bearing (Rear)	HM88649/HM88610
<b>Wheel Rear</b>			<b>Differential</b>		
1980-1969	RA18 & RA28 (Spicer 44) Axles:		<b>Front Axle</b>		
	Seal (Inner)	15142	1980-1971	FA43 & FA44 (Spicer 44) Axles:	
	Seal (Outer)	18731		Bearing (1.688" I.D.)	[2] BR25577/BR25523
	Bearing	BR10		Bearing (1.796" Shaft)	[2] BR25590/BR25523
1971-1961	RA9 & RA23 (Spicer 44) Axles:		1980-1961	FA11, FA13 & FA21 (Spicer 30) Axles:	
	Seal (Inner)	15649		Bearing	[2] BR72
	Seal (Outer)	20554		(Set Components)	LM501349/LM501314
	Bearing	3382-T/BR3320	1971-1961	FA14 & FA24 (Spicer 27) Axles:	
1968-1961	RA4 & RA14 (Spicer 27) Axles:			Bearing	[2] LM501349/LM501311
	Seal (Inner)	11081	<b>Rear Axle</b>		
	Seal (Outer)	12508	1980-1969	RA18 & RA28 (Spicer 44) Axles:	
	Bearing	15121-T/BR15245		Bearing	[2] BR25590/BR25523
			1971-1961	RA9 & RA23 (Spicer 44) Axles:	
				Bearing	[2] BR25577/BR25523
			1968-1961	RA4 & RA14 (Spicer 27) Axles:	
				Bearing	[2] LM501349/LM501311
					(Continued)

IHC Light Truck Scout, Scout II -- (Cont.)

MFG./YEAR	MODEL & LOCATION	PART NO.	MFG./YEAR	MODEL & LOCATION	PART NO.
<b>Clutch</b>			<b>Transfer Case (Cont.)</b>		
<b>Pilot</b>			<b>Rear Output Shaft</b>		
1980-1961	Exc. Scout II w/6-33, 6-33T Diesel Eng.s.; Scout 800 w/V266 Eng. & 10" Clutch:		1980-1971	TC143 (IHC):	
Bearing		BR7109	Seal		19887
<b>Release</b>			(Speedi-Sleeve)		99199
1980-1971	Scout II & Scout 800B:		Bearing (Front)		MJH20161
Bearing Only		N1166	Bearing (Rear)		6306-J
Bearing Assembly		N1715	1980-1971	TC146 (Spicer 300):	
1970-1969	Scout 800A w/o V8 & 6-232 Eng.s.:		Seal		15635
Bearing Only		N1166	(Speedi-Sleeve)		99156
Bearing Assembly		N1610	Bearing (Front)		BR25877/BR25821
1970-1969	Scout 800A w/V8 From Ser. G353468 & 6-232 Eng.s.:		Bearing (Pilot)		JH1612
Bearing Only		N1166	Bearing (Rear)		BR15117/BR15245
Bearing Assembly		N1458	1980-1961	TC145 (Spicer 20) From Ser. G435972:	
1970-1965	Scout 800 & 800A w/V8 Eng. Thru Ser. G353467:		Seal		15635
Bearing Only		N1166	(Speedi-Sleeve)		99156
Bearing Assembly		N1402	Bearing (Front)		BR25877/BR25821
1968-1961	Scout 80 & 800 w/o V8 Eng.:		Bearing (Rear)		BR15117/BR15245
Bearing Only		N1166	1980-1961	TC145 (Spicer 20) Thru Ser. G435971:	
Bearing Assembly		N1610	Seal		15655
<b>Transfer Case</b>			(Speedi-Sleeve)		99156
<b>Front Output Shaft</b>			Bearing (Front)		BR25877/BR25821
1980-1971	TC143 (IHC):		Bearing (Rear)		BR15117/BR15245
Seal		19887	1968-1961	TC144 (Spicer 18):	
(Speedi-Sleeve)		99199	Seal		15655
Bearing (Front)		6306-J	(Speedi-Sleeve)		99156
Bearing (Rear)		MJH20161	Bearing		[2] BR14131/BR14276
1980-1971	TC146 (Spicer 300):		<b>Shift Shaft</b>		
Seal		15635	1980-1961	TC144 (Spicer 18), TC145 (Spicer 20) & TC146 (Spicer 300):	
(Speedi-Sleeve)		99156	Seal		◇6203
Bearing		[2] M86649/M86610	(Superseded by:)		6903
1980-1961	TC145 (Spicer 20) From Ser. G435972:		(Speedi-Sleeve)		99062
Seal		15635	<b>Transmission-Automatic</b>		
(Speedi-Sleeve)		99156	<b>Front Pump</b>		
Bearing		[2] BR14116/BR14276	1980-1971	T407 (Chrysler A727) Trans.:	
1980-1961	TC145 (Spicer 20) Thru Ser. G435971:		Seal		18508
Seal		15655	1980-1961	T28, T39 & T49 (Warner) Trans.:	
(Speedi-Sleeve)		99156	Seal		19240
Bearing		[2] BR14131/BR14276	(Speedi-Sleeve)		99193
1968-1961	TC144 (Spicer 18):		<b>Rear</b>		
Seal		15655	1980-1971	T407 (Chrysler A727) Trans. w/2 W/D:	
(Speedi-Sleeve)		99156	Seal		15620
Bearing		6206-J	(Speedi-Sleeve)		99156
<b>Idler Shaft</b>			1980-1971	T407 (Chrysler A727) Trans. w/4 W/D:	
1968-1961	TC144 (Spicer 18):		Seal		17386
Bearing (Front)		J36-1644	(Speedi-Sleeve)		99174
Bearing (Rear)		J36-1644	1980-1961	T28, T39 & T49 (Warner) Trans. w/2 W/D:	
<b>Input Shaft</b>			Seal		20053
1980-1971	TC143 (IHC):		(Speedi-Sleeve)		99199
Seal		16406	Bearing		■ 6307-NJ
(Speedi-Sleeve)		99162	1980-1961	T28, T39 & T49 (Warner) Trans. w/4 W/D:	
Bearing		[2] 6207-J	Seal		17386
1980-1971	TC146 (Spicer 300):		(Speedi-Sleeve)		99174
Seal		19255	Bearing		307-J
(Speedi-Sleeve)		99193	<b>Shift Shaft</b>		
Bearing		6209-J	1980-1971	T407 (Chrysler A727) Trans.:	
<b>Transfer Case</b>			Seal		8017
<b>Front Output Shaft</b>			1980-1961	T28, T39 & T49 (Warner) Trans.:	
1980-1971	TC143 (IHC):		Seal		7556
Seal		16406	(Speedi-Sleeve)		99076
(Speedi-Sleeve)		99162	(Continued)		
Bearing		[2] 6207-J			
1980-1971	TC146 (Spicer 300):				
Seal		19255			
(Speedi-Sleeve)		99193			
Bearing		6209-J			

MFG./YEAR	MODEL & LOCATION	PART NO.	MFG./YEAR	MODEL & LOCATION	PART NO.
<b>Transmission-Manual</b>			<b>Transmission-Manual (Cont.)</b>		
<b>Countershaft</b>			<b>Rear (Cont.)</b>		
1980-1971	3 Spd. T332 (Warner T15) Trans.:		1980-1971	4 Spd. T427 (Warner T19) & T428 (Warner T19A) Trans. w/2 W/D:	
	Bearing .....	[44] C1086-Q		Seal .....	20053
1980-1971	4 Spd. T427 (Warner T19) & T428 (Warner T19A) Trans.:			(Speedi-Sleeve) .....	99199
	Bearing .....	[88] C436-Q		Bearing .....	308-NRJ
1980-1961	3 Spd. T13 & T14 (Warner T90) Trans.:		1980-1971	4 Spd. T427 (Warner T19) & T428 (Warner T19A) Trans. w/4 W/D:	
	Bearing .....	[88] C407-Q		Seal .....	21210
1980-1961	4 Spd. T44 & T45 (Warner T18C) Trans.:			(Speedi-Sleeve) .....	99212
	Bearing .....	[88] C436-Q		Bearing .....	308-NRJ
<b>Front</b>			1980-1967	3 Spd. T13 & T14 (Warner T90) Trans. w/2 W/D Exc. 4 Cyl. Eng.:	
1980-1971	3 Spd. T332 (Warner T15) Trans.:			Seal .....	15620
	Seal .....	12363		(Speedi-Sleeve) .....	99156
	(Speedi-Sleeve) .....	99125		Bearing .....	6307-J
	Bearing .....	6308-NRJX	1980-1961	3 Spd. T13 & T14 (Warner T90) Trans. w/2 W/D & 4 Cyl. Eng.:	
1980-1971	4 Spd. T427 (Warner T19) & T428 (Warner T19A) Trans.:			Seal .....	15620
	Seal .....	12363		(Speedi-Sleeve) .....	99156
	(Speedi-Sleeve) .....	99125		Bearing .....	6207-NRJ
	Bearing .....	6308-NRJX	1980-1961	3 Spd. T13 & T14 (Warner T90) Trans. w/4 W/D:	
1980-1967	3 Spd. T13 & T14 (Warner T90) Trans. w/o 4 Cyl. Eng.:			Seal .....	17726
	Seal .....	12363		(Speedi-Sleeve) .....	99174
	(Speedi-Sleeve) .....	99125		Bearing .....	6207-NRJ
	Bearing .....	6208-NJ	1980-1961	4 Spd. T44 & T45 (Warner T18C) Trans. w/2 W/D:	
1980-1967	4 Spd. T44 & T445 (Warner T18C) Trans. w/o 4 Cyl. Eng.:			Seal .....	20053
	Seal .....	12363		(Speedi-Sleeve) .....	99199
	(Speedi-Sleeve) .....	99125		Bearing .....	6308-NRJ
	Bearing .....	6308-NRJX	1980-1961	4 Spd. T44 & T45 (Warner T18C) Trans. w/4 W/D:	
1980-1961	3 Spd. T13 & T14 (Warner T90) Trans. w/4 Cyl. Eng.:			Seal .....	21210
	Seal .....	9837		(Speedi-Sleeve) .....	99212
	(Speedi-Sleeve) .....	99100		Bearing .....	6308-NRJ
	Bearing .....	6208-NJ	<b>Reverse Idler</b>		
1980-1961	4 Spd. T44 & T45 (Warner T18C) Trans. w/4 Cyl. Eng.:		1980-1971	3 Spd. T332 (Warner T15) Trans.:	
	Seal .....	9837		Bearing .....	[22] C1086-Q
	(Speedi-Sleeve) .....	99100	1980-1971	4 Spd. T427 (Warner T19) & T428 (Warner T19A) Trans.:	
	Bearing .....	6208-NJ		Bearing .....	[74] B1316-Q
1980-1961	4 Spd. T44 & T45 (Warner T18C) Trans. w/4 Cyl. Eng.:		1980-1961	3 Spd. T13 & T14 (Warner T90) Trans.:	
	Seal .....	9837		Bearing .....	[22] C1086-Q
	(Speedi-Sleeve) .....	99100	1980-1961	4 Spd. T44 & T45 (Warner T18C) Trans.:	
	Bearing .....	6308-NRJX		Bearing .....	[74] B1316-Q
<b>Mainshaft Pilot</b>			<b>Air Conditioning Compressor</b>		
1980-1971	4 Spd. T427 (Warner T19) & T428 (Warner T19A) Trans.:		1980-1971	Scout II:	
	Bearing .....	[22] C436-Q		Bearing (Rear) .....	6203-J
1980-1961	3 Spd. T13 & T14 (Warner T90) Trans. Thru Ser. FC121556, SB549892 w/2 W/D:		<b>Alternator</b>		
	Bearing .....	[14] QBR23549	1980-1971	Scout II w/37 & 61 Amp Delcotron:	
1980-1961	3 Spd. T13 & T14 (Warner T90) Trans. Thru Ser. FC121556, SB549892 w/4 W/D:			Bearing (Front) .....	6203-ZJ
	Bearing .....	W1518-Q		Bearing (Rear) .....	MNJ471-S
1980-1961	4 Spd. T44 & T45 (Warner T18C) Trans.:		1971-1969	Scout 800A, 800B w/32, 37, 52 & 61 Amps.:	
	Bearing .....	[22] C436-Q		Bearing (Front) .....	6203-J
				Bearing (Rear) .....	MNJ471-S
<b>Rear</b>					(Continued)
1980-1971	3 Spd. T332 (Warner T15) Trans. w/2 W/D:				
	Seal .....	20053			
	(Speedi-Sleeve) .....	99199			
	Bearing .....	6308-NRJX			
1980-1971	3 Spd. T332 (Warner T15) Trans. w/4 W/D:				
	Seal .....	21210			
	(Speedi-Sleeve) .....	99212			
	Bearing .....	6307-J			

## Passenger cars, light & medium trucks

### IHC Light Truck Scout, Scout II -- (Cont.)

MFG./YEAR	MODEL & LOCATION	PART NO.	MFG./YEAR	MODEL & LOCATION	PART NO.
<b>Engine</b>			<b>Steering-Power</b>		
<b>Crankshaft-Rear</b>			<b>Pump Shaft</b>		
1980-1969	6-232 & 6-258 Engs.:		1980-1971	Scout II w/o 6-232, 6-258 Engs.:	
	Seal Kit .....	◇208		Seal .....	7475
	(Superseded by):.....	808	1980-1971	Scout II w/6-232, 6-258 Engs.:	
1980-1961	4-152, 4-152T, 4-196, V266, V304, V304A, V345 & V345A Engs.:			Seal .....	8019
	Seal .....	37395	<b>Steering-Standard</b>		
	(Speedi-Sleeve) .....	99372	<b>Pitman Shaft</b>		
<b>Timing Cover</b>			1980-1965	All:	
1980-1971	6-33 & 6-33T Diesel Engs.:			Seal .....	11081
	Seal .....	22832		Bearing .....	B1816
1980-1969	6-232 & 6-258 Engs.:		1964-1961	All:	
	Seal .....	17806		Seal .....	11081
	(Speedi-Sleeve) .....	99179			
1980-1961	4-152, 4-152T, 4-196, V266, V304, V304A, V345 & V345A Engs.:				
	Seal .....	25082			
	(Speedi-Sleeve) .....	99250			

### IHC Light Truck Metro, 1/2 thru 1 1/2 ton models

<p><b>Wheel Front</b></p> <p>1980-1976 1610 Ser. w/FA-69 Axle:</p> <p>Seal ..... 28035</p> <p>Bearing (Inner) ..... BR3778/BR3720</p> <p>Bearing (Outer) ..... BR2689/BR2620</p> <p>1975-1965 FA72 (5500 lb. IHC) Axle:</p> <p>Seal (Felt) ..... 662</p> <p>Bearing (Inner) ..... BR3578/BR3525</p> <p>Bearing (Outer) ..... BR2689/BR2620</p> <p>1975-1959 FA1 (2500 lb. IHC) Axle w/11" Brks.:</p> <p>Seal ..... 18050</p> <p>Bearing (Inner) ..... BR5</p> <p>(Set Components) ..... LM48548/LM48510</p> <p>Bearing (Outer) ..... BR3</p> <p>(Set Components) ..... M12649/M12610</p> <p>1975-1959 FA1 (2500 lb. IHC) Axle w/12" Brks.:</p> <p>Seal ..... 18149</p> <p>Bearing (Inner) ..... BR14130/BR14274</p> <p>Bearing (Outer) ..... BR12580/BR12520</p> <p>1975-1957 FA28 (4000 lb. IHC) &amp; FA48 (4700 lb. IHC) Axles w/1.562" Spindle Dia.:</p> <p>Seal (Felt) ..... 515</p> <p>Bearing (Inner) ..... BR26881/BR26823</p> <p>Bearing (Outer) ..... BR1779/BR1729</p> <p>1975-1957 FA28 (4000 lb. IHC) &amp; FA48 (4700 lb. IHC) Axles w/1.686" Spindle Dia.:</p> <p>Seal ..... 22371</p> <p>Bearing (Inner) ..... BR26884/BR26823</p> <p>Bearing (Outer) ..... BR1779/BR1729</p> <p>1975-1957 FA98 (7500 lb. IHC) Axle:</p> <p>Scotseal ..... 27438</p> <p>Seal (Felt) ..... ◇663</p> <p>(Superseded by):..... 666</p> <p>Bearing (Inner) ..... BR33895/BR33821</p> <p>Bearing (Outer) ..... BR3196/BR3120</p> <p>1975-1956 FA10 (3200 lb. IHC) Axle:</p> <p>Seal ..... 18149</p> <p>Bearing (Inner) ..... BR14130/BR14274</p> <p>Bearing (Outer) ..... BR12580/BR12520</p>	<p><b>Wheel Front (Cont.)</b></p> <p>1966-1957 FA65 (7000 lb. IHC) Axle From Ser. FB11300, SB95444:</p> <p>Scotseal ..... 27438</p> <p>Bearing (Inner) ..... BR33895/BR33821</p> <p>Bearing (Outer) ..... BR3196/BR3120</p> <p>1966-1957 FA65 (7000 lb. IHC) Axle Thru Ser. FB11299, SB95443:</p> <p>Scotseal ..... 27438</p> <p>Bearing (Inner) ..... BR33891/BR33821</p> <p>Bearing (Outer) ..... BR3196/BR3120</p> <p>1966-1956 FA20 (3500 lb. IHC) &amp; FA40 (4700 lb. IHC) Axles:</p> <p>Seal (Felt) ..... 515</p> <p>Bearing (Inner) ..... BR26881/BR26823</p> <p>Bearing (Outer) ..... BR1779/BR1729</p> <p><b>Wheel Rear</b></p> <p>1975-1965 RA18 &amp; RA28 (Spicer 44) Axles:</p> <p>Seal (Inner) ..... 15142</p> <p>Seal (Outer) ..... 18731</p> <p>Bearing (.870" Width) ..... BR7</p> <p>(Set Components) ..... M201047-S/M201011</p> <p>Bearing (.766" Width) ..... BR10</p> <p>1975-1965 RA51 &amp; RA52 (2500 lb. IHC) Axles:</p> <p>Seal (Inner) ..... 13671</p> <p>Seal (Outer) ..... 16062</p> <p>Bearing ..... [2] BR5</p> <p>(Set Components) ..... LM48548/LM48510</p> <p>1975-1962 RA9, RA19, RA23 &amp; RA24 (Spicer 44) Axles:</p> <p>Seal (Inner) ..... 15649</p> <p>Seal (Outer) ..... 20554</p> <p>Bearing ..... 3382-T/BR3320</p> <p>1975-1957 RA10, RA11 (4500 lb. IHC), RA16 &amp; RA17 (Spicer 60) Axles w/o Dual Rr. Whls.:</p> <p>Seal (Inner) ..... 26921</p> <p>Bearing (Inner) ..... BR28584/BR28521</p> <p>Bearing (Outer) ..... BR25584/BR25521</p> <p style="text-align: right;">(Continued)</p>
--	--



# Passenger cars, light & medium trucks

## (Cont.) -- IHC Light Truck Metro, 1/2 thru 1 1/2 ton models

MFG./YEAR	MODEL & LOCATION	PART NO.	MFG./YEAR	MODEL & LOCATION	PART NO.
<b>Wheel Rear (Cont.)</b>			<b>Wheel Rear (Cont.)</b>		
1975-1957	RA10, RA11 (4500 lb. IHC), RA16 & RA17 (Spicer 60) Axles w/Dual Rr. Whls.:		1965-1959	RA2, RA21 (Spicer 23), RA12 & RA13 (Spicer 27) Axles:	
	Seal (Inner) .....	33073		Seal .....	13165
	Bearing (Inner) .....	BR28584/BR28521		Bearing .....	[2] 14132-T/BR14276
	Bearing (Outer) .....	BR25584/BR25521	<b>Pinion</b>		
1975-1957	RA20 (7000 lb. IHC) Axle:		1975-1972	RA16 & RA17 (Spicer 60) Axles:	
	Seal (Inner) .....	33136		Seal .....	18891
	Bearing (Inner) .....	BR3982/BR3920		(Speedi-Sleeve) .....	99187
	Bearing (Outer) .....	BR377/BR374		Bearing (Front) .....	HM88542/HM88510
1975-1957	RA39 (17000 lb. IHC) Axle:			Bearing (Rear) .....	HM803146/HM803110
	Seal (Inner) (5.381" O.D.) .....	38745	1975-1965	RA51 & RA52 (2500 lb. IHC) Axles:	
	Scotseal (Inner) (5.381" O.D.) .....	38747		Seal .....	15788
	Seal (Inner) (5.696" O.D.) .....	38777		(Speedi-Sleeve) .....	99155
	Scotseal (Inner) (5.696" O.D.) .....	38780		Bearing (Front) .....	M86647/M86610
	Scotseal Plus XL .....	38776		Bearing (Rear) .....	HM88649/HM88610
	Bearing (Inner) .....	BR47678/BR47620	1975-1962	RA9, RA18, RA19, RA23, RA24 & RA28 (Spicer 44) Axles:	
	Bearing (Outer) .....	BR39585/BR39520		Seal .....	15788
1975-1957	RA25, RA26 (13500 lb. IHC) & RA126 (Eaton 13802) Axles:			(Speedi-Sleeve) .....	99155
	Seal (Inner) .....	33136		Bearing (Front) .....	BR02872/BR02820
	Bearing (Inner) .....	BR3984/BR3920		Bearing (Rear) .....	BR31594/BR31520
	Bearing (Outer) .....	BR29585/BR29520	1975-1957	RA35 (15000 lb. IHC) & RA39 (17000 lb. IHC) Axles:	
1975-1956	RA15 (6000 lb. IHC) Axle Exc. 8 Bolt Whl.:			Seal (3.486" O.D.) .....	23755
	Seal (Inner) .....	33136		(Speedi-Sleeve) (3.486" O.D.) .....	99237
	Bearing (Inner) .....	BR395/394-A		Seal (4.504" O.D.) .....	23751
	Bearing (Outer) .....	BR377/BR374		(Speedi-Sleeve) (4.504" O.D.) .....	99237
1975-1956	RA15 (6000 lb. IHC) Axle w/8 Bolt Whl.:			Bearing (Front) .....	55175-C/BR55437
	Seal .....	33073		Bearing (Pilot) .....	MU5206UM26
	Bearing (Inner) .....	BR28995/BR28920		Bearing (Rear) .....	55175-C/BR55437
	Bearing (Outer) .....	LM104949/JLM104910	1975-1957	RA25 (13500 lb. IHC) Axle From Axle Ser. 206925:	
1966-1957	RA30, RA31 (15000 lb. IHC) & RA125 (Eaton 13600) Axles:			Seal .....	23755
	Seal (Inner) .....	33136		(Speedi-Sleeve) .....	99237
	Bearing (Inner) .....	BR3984/BR3920		Bearing (Front) .....	HM903249-A/HM903210
	Bearing (Outer) .....	BR29585/BR29520		Bearing (Pilot) .....	MU5205UM26
1966-1957	RA35 (15000 lb. IHC) & RA136 (Eaton 16802) Axles:			Bearing (Rear) .....	HM903249-A/HM903210
	Seal (Inner) .....	38703	1975-1957	RA25 Thru Ser. 206924, RA26 (13500 lb. IHC), RA30 & RA31 (15000 lb. IHC) Axles:	
	Scotseal .....	38709		Seal .....	23755
	Bearing (Inner) .....	BR42688/BR42620		(Speedi-Sleeve) .....	99237
	Bearing (Outer) .....	BR39585/BR39520		Bearing (Front) .....	BR53177/BR53375
1966-1957	RA127, RA128, RA727 & RA728 (Eaton 13802) Axles:			Bearing (Pilot) .....	MU1307-UM
	Seal (Inner) .....	35029		Bearing (Rear) .....	BR53177/BR53375
	Scotseal .....	35000	1975-1957	RA126, RA127, RA128, RA727 & RA728 (Eaton 13802) Axles:	
	Bearing (Inner) .....	BR33281/BR33462		Seal (3.194" O.D.) .....	22425
	Bearing (Outer) .....	BR39585/BR39520		(Speedi-Sleeve) (3.194" O.D.) .....	99225
1966-1957	RA130 & RA131 (Eaton 13600) Axles:			Seal (4.068" O.D.) .....	22653
	Seal (Inner) .....	35012		(Speedi-Sleeve) (4.068" O.D.) .....	99225
	Scotseal .....	34387		Bearing (Front) .....	HM903249/HM903210
	Bearing (Inner) .....	BR33281/BR33462		Bearing (Pilot) .....	MU1305TM17
	Bearing (Outer) .....	BR39585/BR39520		Bearing (Rear) .....	HM903249/HM903210
1966-1957	RA149 (Eaton 16802) Axle:		1975-1956	RA10, RA11 (4500 lb. IHC), RA15 (6000 lb. IHC) & RA20 (7000 lb. IHC) Axles:	
	Seal (Inner) .....	38745		Seal (3.001" O.D.) .....	19969
	Scotseal .....	38747		(Speedi-Sleeve) (3.001" O.D.) .....	99199
	Bearing (Inner) .....	BR47678/BR47620		Bearing (Front) .....	BR27881/BR27820
	Bearing (Outer) .....	BR39585/BR39520		Bearing (Pilot) .....	MUB5204-TM
1965-1962	AM80 w/RA9 (Spicer 44) Axle:			Bearing (Rear) .....	BR27881/BR27820
	Seal (Inner) .....	15649			(Continued)
	Bearing .....	[2] 3382-T/BR3320			

IHC Light Truck Metro, 1/2 thru 1 1/2 ton models -- (Cont.)

MFG./YEAR	MODEL & LOCATION	PART NO.	MFG./YEAR	MODEL & LOCATION	PART NO.
<b>Pinion (Cont.)</b>			<b>Differential (Cont.)</b>		
1971-1957	RA16 & RA17 (Spicer 60) Axles:		<b>Rear Axle (Cont.)</b>		
	Seal	18888	1966-1957	RA136 & RA149 (Eaton 16802) Axles:	
	(Speedi-Sleeve)	99187		Bearing (L.H.)	BR42381/BR42584
	Bearing (Front)	HM88542/HM88510		Bearing (R.H.)	495-A/BR493
	Bearing (Rear)	HM803146/HM803110	1965-1959	RA2 & RA21 (Spicer 23) Axles:	
1966-1957	RA125, RA130 & RA131 (Eaton 13600) Axles:			Bearing	[2] BR24780/BR24721
	Seal	23755	1965-1959	RA12 & RA13 (Spicer 27) Axles:	
	(Speedi-Sleeve)	99237		Bearing	[2] LM501349/LM501311
1966-1957	RA136 & RA149 (Eaton 16802) Axles:		1965-1957	RA10 & RA11 (4500 lb. IHC) Axles:	
	Seal (3.486" O.D.)	23755		Bearing	[2] BR25584/BR25526
	(Speedi-Sleeve) (3.486" O.D.)	99237	<b>Clutch</b>		
	Seal (4.068" O.D.)	23857	<b>Pilot</b>		
	(Speedi-Sleeve) (4.068" O.D.)	99237	1975-1957	11", 12" & 13" Clutches w/.984" Pilot Sh.:	
	Bearing (Front)	HM903249/HM903210		Bearing	BR8505
	Bearing (Pilot)	MUS1307TM1	1975-1956	10", 11" & 12" Clutches w/.591" Pilot Sh.:	
	Bearing (Rear)	HM903249/HM903210		Bearing	BR7109
1965-1962	RA13 (Spicer 27) Axle:		<b>Release</b>		
	Seal	15788	1975-1965	M700, M800, M900U & M1100:	
	(Speedi-Sleeve)	99155		Bearing Only	N1166
	Bearing (Front)	BR02872/BR02820		Bearing Assembly	N1402
	Bearing (Rear)	HM88649/HM88610	1975-1965	T34 & T35 Trans. w/11" & 12" Clutches:	
1965-1959	RA2 & RA21 (Spicer 23) Axles:			Bearing Only	N1166
	Seal	15788		Bearing Assembly	N1402
	(Speedi-Sleeve)	99155	1975-1965	M1200 Thru MC1700 w/o T15 Trans. w/12" Clutch & BG Eng.:	
	Bearing (Front)	BR02872/BR02820		Bearing Only	N1166
	Bearing (Rear)	BR31594/BR31520		Bearing Assembly	N1402
1965-1959	RA12 (Spicer 27) Axle:		1975-1965	M1200 Thru MC1700 w/T15 Trans., 12" Clutch & BG Eng.:	
	Seal	15788		Bearing Only	N1166
	(Speedi-Sleeve)	99155		Bearing Assembly	N1458
	Bearing (Front)	M86649/M86610	1966-1956	AM160, AMC160 & SM160 w/11" & 13" Clutches:	
	Bearing (Rear)	BR02872/BR02820		Bearing Only	N1166
1965-1957	RA10 & RA11 (4,500 lb. IHC) Axles:			Bearing Assembly	N1402
	Seal	19969	1966-1956	AM160, AMC160 & SM160 w/12" Clutch:	
	(Speedi-Sleeve)	99199		Bearing Only	N1166
	Seal (Felt)	573		Bearing Assembly	N1458
	Bearing (Front)	BR27881/BR27820	1965-1956	Exc. AM160, AMC160 & SM160; AM80, CM75, CM80, CMU85 & CM110 w/8" & 8.5" Clutches:	
	Bearing (Pilot)	MUB5204-TM		Bearing Only	N1166
	Bearing (Rear)	BR27881/BR27820		Bearing Assembly	N1402
<b>Differential</b>			<b>Transmission-Automatic</b>		
<b>Rear Axle</b>			<b>Front Pump</b>		
1975-1965	RA18 & RA28 (Spicer 44) Axles:		1975-1956	T26, T28 (Warner WGAS256) & T27 (Warner WGAS475) Trans.:	
	Bearing	[2] BR25590/BR25523		Seal	19240
1975-1965	RA51 & RA52 (2500 lb. IHC) Axles:			(Speedi-Sleeve)	99193
	Bearing	[2] BR72	<b>Rear</b>		
	(Set Components)	LM501349/LM501314	1975-1956	T26, T28 (Warner WGAS256) & T27 (Warner WGAS475) Trans.:	
1975-1962	RA9, RA19, RA23 & RA24 (Spicer 44) Axles:			Seal	20053
	Bearing	[2] BR25577/BR25523		(Speedi-Sleeve)	99199
1975-1957	RA16 & RA17 (Spicer 60) Axles:			Bearing	■ 6307-NJ
	Bearing	[2] 387-A/382-S	<b>Shift Shaft</b>		
1975-1957	RA25, RA26 (13500 lb. IHC), RA30, RA31, RA35 (15000 lb. IHC) & RA39 (17000 lb. IHC) Axles:		1975-1956	T26, T27 (Warner WGAS256) & T27 (Warner WGAS475) Trans.:	
	Bearing	[2] BR3984/BR3925		Seal	7556
1975-1957	RA125, RA130, RA131 (Eaton 13600), RA126, RA127, RA128, RA727 & RA728 (Eaton 13802) Axles:			(Speedi-Sleeve)	99076
	Bearing (L.H.)	BR498/BR493	(Continued)		
	Bearing (R.H.)	BR33275/BR33472			
1975-1956	RA15 (6000 lb. IHC) & RA20 (7000 lb. IHC) Axles:				
	Bearing	[2] BR28584/BR28521			

# Passenger cars, light & medium trucks

## (Cont.) -- IHC Light Truck Metro, 1/2 thru 1 1/2 ton models

MFG./YEAR	MODEL & LOCATION	PART NO.	MFG./YEAR	MODEL & LOCATION	PART NO.
<b>Transmission-Manual Countershaft</b>			<b>Transmission-Manual (Cont.) Rear</b>		
1975-1965	4 Spd. T17 (New Process 435) Trans.:		1975-1965	4 Spd. T17 (New Process 435) Trans. w/o 2.125" Rr. Sh.:	
	Bearing (Front) .....	M24161-X1	Seal .....		24897
	Bearing (Rear) .....	B3216	(Speedi-Sleeve) .....		99250
	Bearing (Thrust) .....	NTA2031	Bearing .....		308-NRJ
1975-1957	5 Spd. T34 & T35, T36 (IHC) Trans.:		1975-1965	4 Spd. T17 (New Process 435) Trans. w/2.125" Rr. Sh.:	
	Bearing (Front) .....	M1207-TV	Seal (2.879" O.D.) .....		21098
	Bearing (Rear) .....	308-ZNRJ	(Speedi-Sleeve) (2.879" O.D.) .....		99212
1975-1956	3 Spd. T5 (Warner T87D) & T7 (Warner T87E) Trans.:		Seal (3.256" O.D.) .....		21302
	Bearing .....	[2] J32-2080	(Speedi-Sleeve) (3.256" O.D.) .....		99212
1975-1956	4 Spd. T15 & T16 (Warner T98A) Trans.:		Bearing .....		308-NRJ
	Bearing .....	[88] C436-Q	1975-1957	5 Spd. T34, T35 & T36 (IHC) Trans.:	
1966-1957	5 Spd. T19 & T22 (New Process 540) Trans.:		Seal .....		26110
	Bearing (Front) .....	207-NRJ	(Speedi-Sleeve) .....		99262
	Bearing (Rear) .....	B2816	Bearing .....		6309-NRJ
1966-1956	4 Spd. T10 (Warner T9) Trans.:		1975-1956	3 Spd. T5 (Warner T87D) & T7 (Warner T87E) Trans.:	
	Bearing .....	[2] J32-2080	Seal .....		20053
<b>Front</b>			(Speedi-Sleeve) .....		99199
1975-1965	4 Spd. T17 (New Process 435) Trans.:		Bearing .....		6307-NJ
	Seal .....	12363	1975-1956	4 Spd. T15 & T16 (Warner T98A) Trans.:	
	(Speedi-Sleeve) .....	99125	Seal .....		20053
	Bearing .....	HM88649/HM88610	(Speedi-Sleeve) .....		99199
1975-1957	5 Spd. T34, T35 & T36 (IHC) Trans.:		Bearing .....		6308-NRJ
	Seal (1.250" Shaft) .....	12363	1966-1957	5 Spd. T19 & T22 (New Process 540) Trans.:	
	(Speedi-Sleeve) (1.250" Shaft) .....	99125	Seal .....		21108
	Seal (1.500" Shaft) .....	14832	(Speedi-Sleeve) .....		99212
	(Speedi-Sleeve) (1.500" Shaft) .....	99149	Bearing .....		6308-NRJ
	Bearing .....	6212-ZNRJ2	1966-1956	4 Spd. T10 (Warner T9) Trans.:	
1975-1956	3 Spd. T5 (Warner T87D) & T7 (Warner T87E) Trans.:		Seal .....		20053
	Seal .....	12363	(Speedi-Sleeve) .....		99199
	(Speedi-Sleeve) .....	99125	Bearing .....		6307-J
	Bearing .....	209-NRJ	1956	3 Spd. T1 (IHC HNS) Trans.:	
1975-1956	4 Spd. T15 & T16 (Warner T98A) Trans.:		Bearing .....		6306-ZNRJ
	Seal .....	12363	<b>Reverse Idler</b>		
	(Speedi-Sleeve) .....	99125	1975-1965	4 Spd. T17 (New Process 435) Trans.:	
	Bearing (Std.) .....	6308-NRJ	Bearing .....		[68] C407-Q
	Bearing (H.D.) .....	308-NRJ	1975-1957	5 Spd. T34, T35 & T36 (IHC) Trans.:	
1966-1957	5 Spd. T19 & T22 (New Process 540) Trans.:		Bearing .....		[2] J36-1652
	Seal .....	12363	1975-1956	4 Spd. T15 & T16 (Warner T98A) Trans.:	
	(Speedi-Sleeve) .....	99125	Bearing .....		[74] B1316-Q
	Bearing .....	211-ZNRJ	<b>Shift Shaft</b>		
1966-1956	4 Spd. T10 (Warner T9) Trans.:		1975-1956	3 Spd. T1 (IHC HNS), T5 (Warner T87D) & T7 (Warner T87E) Trans.:	
	Seal .....	12363	Seal .....		7464
	(Speedi-Sleeve) .....	99125	(Speedi-Sleeve) .....		99076
	Bearing .....	209-J	<b>Drive Shaft</b>		
1956	3 Spd. T1 (IHC HNS) Trans.:		1975-1965	1.50" Sh.:	
	Seal .....	12363	Bearing Only .....		B2412
	(Speedi-Sleeve) .....	99125	1975-1965	1.75" Sh.:	
	Bearing .....	6208-ZNRJ	Bearing Only .....		B2816
<b>Mainshaft Pilot</b>			1965-1956	AB140, AM130, AM150, AMC150, SA140, SM130, SM150 w/1.378" Sh.:	
1975-1965	4 Spd. T17 (New Process 435) Trans.:		Bearing Only .....		BR88107
	Bearing .....	[14] Q15902	Bearing & Support .....		HB88107-A
	Bearing (Thrust) .....	FA35688			(Continued)
1975-1957	5 Spd. T34, T35 & T36 (IHC) Trans.:				
	Bearing .....	J36-2048			
1966-1957	5 Spd. T19 & T22 (New Process 540) Trans.:				
	Bearing .....	[14] Q15902			
1966-1956	4 Spd. T10 (Warner T9) Trans.:				
	Bearing .....	J26-1648			

**IHC Light Truck Metro, 1/2 thru 1 1/2 ton models -- (Cont.)**

MFG./YEAR	MODEL & LOCATION	PART NO.	MFG./YEAR	MODEL & LOCATION	PART NO.
<b>Engine</b>			<b>Steering-Standard</b>		
<b>Crankshaft-Rear</b>			<b>Pitman Shaft</b>		
1975-1956	4-152, 4-196, V266, V304 & V345 Engs.:		1975-1965	M700, M800, M900U & M1100 w/o Strg. Codes 05008 & 05009 (Gemmer 24D):	
	Seal .....	37395		Seal .....	11081
	(Speedi-Sleeve) .....	99372	1975-1965	M700, M800, M900U, M1100, M1200, MA1200, M1400, M1500 & MA1500 w/Strg. Codes 05008 & 05009 (Gemmer 24D):	
<b>Timing Cover</b>				Seal .....	11081
1975-1956	4-152, 4-196, V266, V304 & V345 Engs.:		1975-1965	MA1200, M1400, M1500 & MA1500 w/Strg. Code 05011 (Ross TE14):	
	Seal .....	25082		Seal .....	11081
	(Speedi-Sleeve) .....	99250	1975-1965	M1600, MC1600, M1700 & MC1700 w/Strg. Codes 05021 (Ross TD61) & 05061 (Ross TE61):	
<b>Steering-Power</b>				Seal .....	12334
<b>Pitman Shaft</b>			1975-1965	M1700 & MC1700 w/Strg. Code 05031 (Ross T67) & 05062 (Ross TE68):	
1975-1965	M Series w/Strg. Code 05219 (Ross HPS52):			Seal .....	13537
	Seal .....	11081	1975-1965	M1200 w/Strg. Code 05059 (Ross SE54):	
1975-1965	M1700 & MC1700 w/Strg. Code 05243 (Ross HPS70):			Seal .....	11081
	Seal .....	14840	1966-1957	AM160, AMC160, AM170 & AMC170 w/Jointed Strg. Column:	
1966-1957	AM160, AMC160, AM170 & AMC170 w/Jointed Strg. Column:			Seal (1.125" Shaft) .....	11081
	Seal (1.125" Shaft) .....	11081		Seal (1.375" Shaft) .....	13537
	Seal (1.375" Shaft) .....	13537	1966-1957	AM160 & AMC160 w/Straight Strg. Column:	
1966-1957	AM160 & AMC160 w/Straight Strg. Column:			Seal .....	11067
	Seal .....	11067	1966-1957	AM164 & AMC164:	
1966-1957	AM164 & AMC164:			Seal .....	12334
	Seal .....	12334	1965-1956	w/o AM160, AMC160, AM164, AMC164, AM170 & AMC170:	
1965-1956	w/o AM160, AMC160, AM164, AMC164, AM170 & AMC170:			Seal .....	11081
	Seal .....	11081	<b>Pump Shaft</b>		
<b>Pump Shaft</b>			1975-1956	All:	
1975-1956	All:			Seal .....	7440
	Seal .....	7440		Bearing .....	6203-2RSJ
	Bearing .....	6203-2RSJ	<b>Worm Shaft</b>		
<b>Worm Shaft</b>			1975-1965	M Series w/Strg. Code 05219 (Ross HPS52):	
1975-1965	M Series w/Strg. Code 05219 (Ross HPS52):			Bearing (Thrust) .....	NTA1625
	Bearing (Thrust) .....	NTA1625	1975-1965	M1700 & MC1700 w/Strg. Code 05243 (Ross HPS70):	
1975-1965	M1700 & MC1700 w/Strg. Code 05243 (Ross HPS70):			Seal .....	9859
	Seal .....	9859		Bearing (Thrust) .....	NTA2031
	Bearing (Thrust) .....	NTA2031	1966-1957	AM160, AMC160, AM170 & AMC170 w/Jointed Strg. Column:	
1966-1957	AM160, AMC160, AM170 & AMC170 w/Jointed Strg. Column:			Seal (1.000" Shaft) .....	9859
	Seal (1.000" Shaft) .....	9859	<b>Steering-Standard (Cont.)</b>		
	Seal (1.000" Shaft) .....	9859	1975-1965	M1700 & MC1700 w/Strg. Code 05062 (Ross TE68):	
<b>Steering-Standard</b>				Seal .....	9859
1975-1965	M1700 & MC1700 w/Strg. Code 05062 (Ross TE68):		1966-1957	AM160, AMC160, AM170 & AMC170 w/Jointed Strg. Column:	
	Seal .....	9859		Seal (1.000" Shaft) .....	9859
1966-1957	AM160, AMC160, AM170 & AMC170 w/Jointed Strg. Column:		<b>Worm Shaft</b>		
	Seal (1.125" Shaft) .....	11081	1975-1965	M1700 & MC1700 w/Strg. Code 05062 (Ross TE68):	
	Seal (1.375" Shaft) .....	13537		Seal .....	9859
1966-1957	AM160 & AMC160 w/Straight Strg. Column:		1966-1957	AM160, AMC160, AM170 & AMC170 w/Jointed Strg. Column:	
	Seal .....	11067		Seal (1.000" Shaft) .....	9859
1966-1957	AM164 & AMC164:		<b>Worm Shaft</b>		
	Seal .....	12334	1975-1965	M1700 & MC1700 w/Strg. Code 05062 (Ross TE68):	
1965-1956	w/o AM160, AMC160, AM164, AMC164, AM170 & AMC170:			Seal .....	9859
	Seal .....	11081	1966-1957	AM160, AMC160, AM170 & AMC170 w/Jointed Strg. Column:	
<b>Pump Shaft</b>				Seal (1.000" Shaft) .....	9859
1975-1956	All:		<b>Worm Shaft</b>		
	Seal .....	7440	1975-1965	M1700 & MC1700 w/Strg. Code 05062 (Ross TE68):	
	Bearing .....	6203-2RSJ		Seal .....	9859

**IHC Light Truck Pickup, Travelall, M.H.C., 1/2 Thru 1 1/2 Ton Models**

**Wheel Front**

1980-1976 1650 Ser. w/FA73 Axle:

Bearing (Outer) ..... BR25877/BR25820

1976-1974 100 & 150 w/FA5 (3200 lb. IHC) Axle:

Seal ..... 19834

Bearing (Inner) ..... BR17

(Set Components) ..... L68149/L68111

Bearing (Outer) ..... BR16

(Set Components) ..... LM12749/LM12711

**Wheel Front (Cont.)**

1976-1974 200 w/FA6 (3500 lb. IHC), FA7 (4000 lb. IHC) Axles:

Seal ..... 22468

Bearing (Inner) ..... BR26884/BR26823

Bearing (Outer) ..... BR15100/BR15245

1976-1974 100 & 150 w/FA62 (Spicer 44) Axle:

Seal ..... 23300

Bearing (Inner) ..... BR50

(Set Components) ..... LM102949/LM102910

Bearing (Outer) ..... BR35

(Set Components) ..... LM501349/LM501310

(Continued)

# Passenger cars, light & medium trucks

## (Cont.) -- IHC Light Truck Pickup, Travelall, M.H.C., 1/2 Thru 1 1/2 Ton Models

MFG./YEAR	MODEL & LOCATION	PART NO.	MFG./YEAR	MODEL & LOCATION	PART NO.
<b>Wheel Front (Cont.)</b>			<b>Wheel Front (Cont.)</b>		
1976-1974	200 w/FA63 (Spicer 44) Axle:		1973-1956	FA8, FA9 (2500 lb. IHC) Axles:	
	Seal .....	24875		Seal .....	18050
	Bearing (Inner) .....	BR18690/BR18620		Bearing (Inner) .....	BR5
	Bearing (Outer) .....	BR50		(Set Components) .....	LM48548/LM48510
	(Set Components) .....	LM102949/LM102910		Bearing (Outer) .....	BR3
1976-1961	FA28 (4000 lb. IHC) & FA48 (4700 lb. IHC)			(Set Components) .....	M12649/M12610
	Axles w/1.562" Spindle Dia.:		1970-1956	FA15 (2800 lb. IHC) Axle:	
	Seal (Felt) .....	515		Seal .....	22468
	Bearing (Inner) .....	BR26881/BR26823		Bearing .....	[2] BR18685/BR18620
	Bearing (Outer) .....	BR1779/BR1729	1960-1959	B140 w/FA51 (Spicer 70) Axle:	
1976-1961	FA28 (4000 lb. IHC) & FA48 (4700 lb. IHC)			Seal .....	28275
	Axles w/1.686" Spindle Dia.:			Bearing (Inner) .....	BR469/453-X
	Seal .....	22371		Bearing (Outer) .....	BR3780/BR3720
	Bearing (Inner) .....	BR26884/BR26823	1960-1957	A150 & B150 w/FA30 (3500 lb. IHC) Axle:	
	Bearing (Outer) .....	BR1779/BR1729		Seal (Felt) .....	515
1976-1961	FA52 (Spicer 70) Axle:			Bearing (Inner) .....	BR26881/BR26823
	Seal .....	27470		Bearing (Outer) .....	BR1779/BR1729
	Bearing (Inner) .....	SET407	1960-1957	A140 & B140 w/FA50 (5000 lb. IHC) Axle:	
	(Set Components) .....	BR28682/BR28622		Bearing (Inner) .....	BR33275/BR33472
	Bearing (Outer) .....	LM104949/JLM104910		Bearing (Outer) .....	399-A/394-A
1973-1969	FA12 (3800 lb. IHC) Axle w/1.562" Spindle Dia.:		<b>Axle Shaft</b>		
	Seal .....	22468	1976-1957	FA15, FA16, FA17 (2,800 lb. IHC), FA18, FA25 (3,500 lb. IHC), FA45, FA46 (3,000 lb. IHC), FA62 & FA63 (Spicer 44) Axles:	
	Bearing (Inner) .....	BR26881/BR26823		Seal .....	13165
	Bearing (Outer) .....	BR1779/BR1729	1960-1957	FA50 (5,000 lb. IHC) & FA51 (6,000 lb. IHC) Axles:	
1973-1969	FA12 (3800 lb. IHC) Axle w/1.686" Spindle Dia.:			Seal .....	16816
	Seal .....	22468	<b>Spindle Hub</b>		
	Bearing (Inner) .....	BR26884/BR26823	1976-1974	FA62 & FA63 (Spicer 44) Axles:	
	Bearing (Outer) .....	BR1779/BR1729		Seal (Inner) .....	19992
1973-1963	1110 w/FA46 (3000 lb. IHC) Axle:			Seal (Outer) .....	711818
	Seal .....	24904		Bearing Assembly .....	B2110
	Bearing (Inner) .....	BR37		Seal & Bearing Kit .....	BK2
	(Set Components) .....	LM603049/LM603011	1975-1973	FA46 Exc. (3000 lb. IHC) Axle:	
	Bearing (Outer) .....	BR35		Seal (Inner) .....	711818
	(Set Components) .....	LM501349/LM501310		Seal (Outer) .....	22311
1973-1963	FA16, FA17 (2800 lb. IHC) Axles:			Bearing Assembly .....	B2110
	Seal .....	24904	1973-1971	FA45 & FA46 (3000 lb. IHC) Axles:	
	Bearing (Inner) .....	BR37		Seal .....	19992
	(Set Components) .....	LM603049/LM603011	<b>Wheel Rear</b>		
	Bearing (Outer) .....	BR35	1976-1972	RA18 & RA28 (Spicer 44) Axles:	
	(Set Components) .....	LM501349/LM501310		Seal (Inner) .....	15142
1973-1961	1210 w/FA45 (3000 lb. IHC) Axle:			Seal (Outer) .....	18731
	Seal .....	22468		Bearing .....	BR10
	Bearing .....	[2] BR18690/BR18620	1976-1971	RA83 & RA84 (Spicer 60-2) Axles:	
1973-1961	FA18, FA25 (3500 lb. IHC) Axles:			Seal (Inner) .....	15142
	Seal .....	22468		Seal (Outer) .....	18731
	Bearing .....	[2] BR18690/BR18620		Bearing .....	BR10
1973-1956	FA10 (3200 lb. IHC) Axle:		1976-1969	RA63 (Spicer 70) Axle:	
	Seal .....	18149		Seal .....	33073
	Bearing (Inner) .....	BR14130/BR14274		Bearing (Inner) .....	BR28995/BR28920
	Bearing (Outer) .....	BR12580/BR12520		Bearing (Outer) .....	LM104949/JLM104910
1973-1956	FA1 (2500 lb. IHC) Axle w/12" Brks.:		1976-1957	RA20 (7000 lb. IHC) & RA120 (Eaton 1250) Axles:	
	Seal .....	18050		Seal (Inner) .....	33136
	Bearing (Inner) .....	BR5		Bearing (Inner) .....	BR3982/BR3920
	(Set Components) .....	LM48548/LM48510		Bearing (Outer) .....	BR377/BR374
	Bearing (Outer) .....	BR3			(Continued)
	(Set Components) .....	M12649/M12610			
1973-1956	FA1 (2500 lb. IHC) Axle w/11" Brks.:				
	Seal .....	18149			
	Bearing (Inner) .....	BR14130/BR14274			
	Bearing (Outer) .....	BR12580/BR12520			

## Passenger cars, light & medium trucks

### IHC Light Truck Pickup, Travelall, M.H.C., 1/2 Thru 1 1/2 Ton Models -- (Cont.)

MFG./YEAR	MODEL & LOCATION	PART NO.	MFG./YEAR	MODEL & LOCATION	PART NO.
<b>Wheel Rear (Cont.)</b>			<b>Pinion (Cont.)</b>		
1976-1957	RA25, RA26 (13500 lb. IHC), RA125 (Eaton 13600), RA126 (Eaton 13802) & RA184 (Eaton 15201) Axles:		<b>Front Axle (Cont.)</b>		
	Seal (Inner) .....	33136	1960-1957	FA50 (5000 lb. IHC) & FA51 (6000 lb. IHC) Axles:	
	Bearing (Inner) .....	BR3984/BR3920		Seal .....	19969
	Bearing (Outer) .....	BR29585/BR29520		(Speedi-Sleeve) .....	99199
1976-1956	RA10, RA11 (4500 lb. IHC), RA16 & RA17 (Spicer 60) Axles w/o Dual Rr. Whls.:			Seal (Felt) .....	573
	Seal (Inner) .....	26921		Bearing (Front) .....	BR27881/BR27820
	Bearing (Inner) .....	BR28584/BR28521		Bearing (Pilot) .....	MUB5204-TM
	Bearing (Outer) .....	BR25584/BR25521		Bearing (Rear) .....	BR27881/BR27820
1976-1956	RA10, RA11 (4500 lb. IHC), RA16 & RA17 (Spicer 60) Axles w/Dual Rr. Whls.:		<b>Rear Axle</b>		
	Seal (Inner) .....	33073	1976-1972	RA83 & RA84 (Spicer 60-2) Axles:	
	Bearing (Inner) .....	BR28584/BR28521		Seal .....	18891
	Bearing (Outer) .....	BR25584/BR25521		(Speedi-Sleeve) .....	99187
1976-1956	RA15 (6000 lb. IHC) Axle Exc. 8 Bolt Whl.:			Bearing (Front) .....	HM88542/HM88510
	Seal (Inner) .....	33136		Bearing (Rear) .....	HM803146/HM803110
	Bearing (Inner) .....	BR395/394-A	1976-1969	RA63 (Spicer 70) Axle:	
	Bearing (Outer) .....	BR377/BR374		Seal .....	18891
1975-1956	RA15 (6000 lb. IHC) Axle w/8 Bolt Whl.:			(Speedi-Sleeve) .....	99187
	Seal .....	33073		Bearing (Front) .....	HM88542/HM88510
	Bearing (Inner) .....	BR28995/BR28920		Bearing (Rear) .....	HM807040/HM807010
	Bearing (Outer) .....	LM104949/JLM104910	1976-1964	RA18 & RA28 (Spicer 44) Axles:	
1971-1964	RA18 & RA28 (Spicer 44) Axles:			Seal .....	15788
	Seal (Inner) .....	15142		(Speedi-Sleeve) .....	99155
	Seal (Outer) .....	18731		Bearing (Front) .....	BR02872/BR02820
	Bearing .....	BR7		Bearing (Rear) .....	BR31594/BR31520
	(Set Components) .....	M201047-S/M201011	1976-1959	RA126 (Eaton 13802) & RA184 (Eaton 15201) Axles:	
1970-1966	RA53 & RA54 (Spicer 60-2) Axles:			Seal (3.194" O.D.) .....	22425
	Seal (Inner) .....	15142		(Speedi-Sleeve) (3.194" O.D.) .....	99225
	Seal (Outer) .....	18545		Seal (4.068" O.D.) .....	22653
	Bearing .....	BR7		(Speedi-Sleeve) (4.068" O.D.) .....	99225
	(Set Components) .....	M201047-S/M201011		Bearing (Front) .....	HM903249/HM903210
1968-1956	RA1 & RA3 (Spicer 30) Axles:			Bearing (Pilot) .....	MU1305TM17
	Seal (Inner) .....	15649		Bearing (Rear) .....	HM903249/HM903210
	Seal (Outer) .....	20554	1976-1957	RA25 (13500 lb. IHC) Axle From Axle Ser. 206925:	
	Bearing .....	3382-T/BR3320		Seal .....	23755
1968-1956	RA5 (3,200 lb. IHC) & RA6 (2,000 lb. IHC) Axles:			(Speedi-Sleeve) .....	99237
	Seal (Inner) .....	15677		Bearing (Front) .....	HM903249-A/HM903210
	Bearing .....	3382-T/BR3320		Bearing (Pilot) .....	MU5205UM26
				Bearing (Rear) .....	HM903249-A/HM903210
<b>Pinion</b>			1976-1957	RA25 (13500 lb. IHC) Axle Thru Axle Ser. 206924:	
<b>Front Axle</b>				Seal .....	23755
1976-1972	FA52 (Spicer 70) Axle:			(Speedi-Sleeve) .....	99237
	Seal .....	18891		Bearing (Front) .....	BR53177/BR53375
	(Speedi-Sleeve) .....	99187		Bearing (Pilot) .....	MU1307-UM
	Bearing (Front) .....	HM807040/HM807010		Bearing (Rear) .....	BR53177/BR53375
	Bearing (Rear) .....	HM88542/HM88510	1976-1956	RA5 (3200 lb. IHC), RA6 (2000 lb. IHC), RA10, RA11 (4500 lb. IHC), RA15 (6000 lb. IHC) & RA20 (7000 lb. IHC) Axles:	
1976-1956	FA15, FA16, FA17 (2,800 lb. IHC), FA18, FA25 (3,500 lb. IHC), FA45, FA46 (3,000 lb. IHC), FA62 & FA63 (Spicer 44) Axles:			Seal (3.001" O.D.) .....	19969
	Seal .....	15788		(Speedi-Sleeve) (3.001" O.D.) .....	99199
	(Speedi-Sleeve) .....	99155		Bearing (Front) .....	BR27881/BR27820
	Bearing (Front) .....	BR31594/BR31520		Bearing (Pilot) .....	MUB5204-TM
	Bearing (Rear) .....	BR02872/BR02820		Bearing (Rear) .....	BR27881/BR27820
1971-1961	FA52 (Spicer 70) Axle:				(Continued)
	Seal .....	18888			
	(Speedi-Sleeve) .....	99187			
	Bearing (Front) .....	HM807040/HM807010			
	Bearing (Rear) .....	HM88542/HM88510			

# Passenger cars, light & medium trucks

## (Cont.) -- IHC Light Truck Pickup, Travelall, M.H.C., 1/2 Thru 1 1/2 Ton Models

MFG./YEAR	MODEL & LOCATION	PART NO.	MFG./YEAR	MODEL & LOCATION	PART NO.
<b>Pinion (Cont.)</b>			<b>Differential (Cont.)</b>		
<b>Rear Axle (Cont.)</b>			<b>Rear Axle (Cont.)</b>		
1971-1965	RA16, RA17 (Spicer 60), RA53, RA54, RA83 & RA84 (Spicer 60-2) Axles:		1968-1956	RA1 & RA3 (Spicer 30) Axles:	
Seal	.....	18888	Bearing	.....[2]	BR25577/BR25523
(Speedi-Sleeve)	.....	99187	1965-1957	RA120 (Eaton 1250) Axle:	
Bearing (Front)	.....	HM88542/HM88510	Bearing (L.H.)	.....	BR498/BR493
Bearing (Rear)	.....	HM803146/HM803110	Bearing (R.H.)	.....	BR482/472-A
1968-1956	RA1& RA3 (Spicer 30) Axles:		<b>Clutch</b>		
Seal	.....	15788	<b>Pilot</b>		
(Speedi-Sleeve)	.....	99155	1976-1971	.984" Pilot Sh.:	
Bearing (Front)	.....	BR02872/BR02820	Bearing	.....	BR88505
Bearing (Rear)	.....	BR31594/BR31520	1976-1956	.591" Pilot Sh.:	
1965-1957	RA120 (Eaton 1250) Axle:		Bearing	.....	BR7109
Seal	.....	20098	1970-1956	.984" Pilot Sh.:	
(Speedi-Sleeve)	.....	99199	Bearing	.....	BR8505
Bearing (Front)	.....	BR53178/BR53375	<b>Release</b>		
Bearing (Pilot)	.....	MU1305TM17	1976-1969	V8 Eng. w/o Diaphragm Clutch; 6-232, 6-258	
Bearing (Rear)	.....	BR53178/BR53375	Engs. w/o MS1210 & MS1510 w/H.D. Clutch:		
1960-1957	RA26 (13,500 lb. IHC) Axle:		Bearing Only	.....	N1166
Seal	.....	23755	Bearing Assembly	.....	N1715
(Speedi-Sleeve)	.....	99237	1976-1969	V8 Eng. w/Diaphragm Clutch:	
Bearing (Front)	.....	BR53177/BR53375	Bearing Only	.....	N1085
Bearing (Pilot)	.....	MU1307-UM	Bearing Assembly	.....	N1086-SA
Bearing (Rear)	.....	BR53177/BR53375	1973-1971	MS1210 & MS1510 w/6-258 Eng. & H.D.	
1960-1957	RA125 (Eaton 13600) Axle:		Clutch:		
Seal	.....	23755	Bearing Only	.....	N1166
(Speedi-Sleeve)	.....	99237	Bearing Assembly	.....	N1458
<b>Differential</b>			1968-1961	4-152, BD220, BD240, BG241, BG265 & V8	
<b>Front Axle</b>			Engs. Exc. T34 & T36 Trans.:		
1976-1974	FA62 & FA63 (Spicer 44) Axles:		Bearing Only	.....	N1166
Bearing	.....[2]	BR25590/BR25523	Bearing Assembly	.....	N1402
1976-1961	FA52 (Spicer 70) Axle:		1968-1961	V8 Eng. w/T34, T36 Trans. Exc. 1500A, 1500B	
Bearing	.....[2]	387-A/382-S	& 1500C:		
1973-1961	FA18, FA25 (3500 lb. IHC), FA45 & FA46 (3000 lb. IHC) Axles:		Bearing Only	.....	N1166
Bearing	.....[2]	BR25590/BR25523	Bearing Assembly	.....	N1458
1970-1956	FA15, FA16 & FA17 (2800 lb. IHC) Axles:		1960-1956	10" & 11" Clutches:	
Bearing (1.688" Shaft)	.....[2]	BR25577/BR25523	Bearing Only	.....	N1166
Bearing (1.796" Shaft)	.....[2]	BR25590/BR25523	Bearing Assembly	.....	N1402
1960-1957	FA50 (5000 lb. IHC) & FA51 (6000 lb. IHC) Axles:		1960-1956	12" Clutch:	
Bearing	.....[2]	BR28584/BR28521	Bearing Only	.....	N1166
<b>Rear Axle</b>			Bearing Assembly	.....	N1458
1976-1965	RA16, RA17 (Spicer 60), RA53, RA54, RA83, RA84 (Spicer 60-2) & RA63 (Spicer 70) Axles:		<b>Transfer Case</b>		
Bearing	.....[2]	387-A/382-S	<b>Front Output Shaft</b>		
1976-1964	RA18 & RA28 (Spicer 44) Axles:		1976-1971	TC143 (IHC):	
Bearing	.....[2]	BR25590/BR25523	Seal	.....	19887
1976-1957	RA125 (Eaton 13600), RA126 (Eaton 13802) & RA184 (Eaton 15201) Axles:		(Speedi-Sleeve)	.....	99199
Bearing (L.H.)	.....	BR498/BR493	Bearing	.....	6306-J
Bearing (R.H.)	.....	BR33275/BR33472	1976-1971	TC142 (New Process 205):	
1976-1957	RA25 & RA26 (13500 lb. IHC) Axles:		Seal	.....	21211
Bearing	.....[2]	BR3984/BR3925	(Speedi-Sleeve)	.....	99212
1976-1956	RA15 (6000 lb. IHC) & RA20 (7000 lb. IHC) Axles:		Bearing (Front)	.....	6307-NRJ
Bearing	.....[2]	BR28584/BR28521	Bearing (Rear)	.....	M28161
1968-1956	RA5 (3200 lb. IHC), RA6 (2000 lb. IHC), RA10 & RA11 (4500 lb. IHC) Axles:		Bearing (Gear)	.....[64]	QBR23549
Bearing	.....[2]	BR25584/BR25526	1970-1959	TC141 (New Process 202):	
			Seal	.....	21213
			(Speedi-Sleeve)	.....	99212
			Bearing (Front)	.....	6307-NRJ
			Bearing (Rear)	.....	M28161
			(Continued)		

IHC Light Truck Pickup, Travelall, M.H.C., 1/2 Thru 1 1/2 Ton Models -- (Cont.)

MFG./YEAR	MODEL & LOCATION	PART NO.	MFG./YEAR	MODEL & LOCATION	PART NO.
<b>Transfer Case (Cont.)</b>			<b>Transfer Case (Cont.)</b>		
<b>Front Output Shaft (Cont.)</b>			<b>Mainshaft Pilot (Cont.)</b>		
1960-1959	TC155 (Rockwell Std. T223H):		1960-1957	TC140 (New Process 201):	
Seal	.....	21100	Bearing	..... [15]	QBR23549
(Speedi-Sleeve)	.....	99212			
Bearing (Front)	.....	■ 6208-NRJ			
Bearing (Rear)	.....	6211-NRJ			
1960-1957	TC140 (New Process 201):		<b>Rear Output Shaft</b>		
Seal	.....	21213	1976-1971	TC143 (IHC):	
(Speedi-Sleeve)	.....	99212	Seal	.....	19887
Bearing	.....	6307-NRJ	(Speedi-Sleeve)	.....	99199
			Bearing	.....	MJH20161
1960-1957	TC152 (Rockwell Std. T223):		1976-1971	TC142 (New Process 205):	
Seal	.....	21108	Seal	.....	21211
(Speedi-Sleeve)	.....	99212	(Speedi-Sleeve)	.....	99212
Bearing (Front)	.....	■ 6208-NRJ	Bearing (Inner)	.....	B3216
Bearing (Rear)	.....	6211-NRJ	Bearing (Outer)	.....	6307-NRJ
			Bearing (Gear)	..... [64]	QBR23549
<b>Idler Shaft</b>			1970-1959	TC141 (New Process 202):	
1976-1971	TC142 (New Process 205):		Seal	.....	21213
Bearing	..... [2]	BR2793/BR2720	(Speedi-Sleeve)	.....	99212
1970-1959	TC141 (New Process 202):		Bearing (Inner)	.....	B3216
Bearing	..... [82]	C1086-Q	Bearing (Outer)	.....	6307-NRJ
Bearing (Thrust)	.....	NTA2840			
Bearing (Thrust Race)	.....	JF22978	1960-1959	TC155 (Rockwell Std. T223H):	
1960-1959	TC155 (Rockwell Std. T223H):		Seal (2.250" Shaft)	.....	22340
Bearing (Front)	.....	HM89449/HM89411	(Speedi-Sleeve) (2.250" Shaft)	.....	99225
Bearing (Rear)	.....	BR31597/BR31521	Seal (2.625" Shaft)	.....	26189
1960-1957	TC140 (New Process 201):		(Speedi-Sleeve) (2.625" Shaft)	.....	99262
Bearing	..... [2]	BR2793/BR2720	Bearing (Front)	.....	BR25878/BR25821
1960-1957	TC152 (Rockwell Std. T223):		Bearing (Rear)	.....	BR25584/BR25520
Bearing	..... [2]	BR31597/BR31521	1960-1957	TC140 (New Process 201):	
			Seal	.....	21213
<b>Input Shaft</b>			(Speedi-Sleeve)	.....	99212
1976-1971	TC143 (IHC):		Bearing (Inner)	.....	BR3780/BR3720
Seal	.....	16406	Bearing (Outer)	.....	BR2793/BR2720
(Speedi-Sleeve)	.....	99162	1960-1957	TC152 (Rockwell Std. T223):	
Bearing	..... [2]	6207-J	Seal (2.250" Shaft)	.....	22340
1976-1971	TC142 (New Process 205):		(Speedi-Sleeve) (2.250" Shaft)	.....	99225
Seal	.....	21211	Seal (2.625" Shaft)	.....	26189
(Speedi-Sleeve)	.....	99212	(Speedi-Sleeve) (2.625" Shaft)	.....	99262
Bearing	.....	307-NRJ	Bearing (Front)	.....	BR25878/BR25821
1970-1959	TC141 (New Process 202):		Bearing (Rear)	.....	BR25584/BR25520
Seal	.....	21213	<b>Shift Shaft</b>		
(Speedi-Sleeve)	.....	99212	1976-1971	TC142 (New Process 205):	
Bearing	.....	6307-NRJ	Seal	.....	7443
1960-1959	TC155 (Rockwell Std. T223H):		(Speedi-Sleeve)	.....	99076
Seal	.....	22338	1970-1959	TC141 (New Process 202):	
(Speedi-Sleeve)	.....	99225	Seal	.....	7440
Bearing (Rear)	.....	307-ZJ	(Speedi-Sleeve)	.....	99076
1960-1957	TC140 (New Process 201):		1960-1959	TC155 (Rockwell Std. T223H):	
Seal	.....	21213	Seal	.....	7443
(Speedi-Sleeve)	.....	99212	(Speedi-Sleeve)	.....	99076
Bearing (Front)	.....	6307-NRJ	1960-1957	TC140 (New Process 201):	
Bearing (Rear)	.....	6307-J	Seal	.....	7440
1960-1957	TC152 (Rockwell Std. T223):		(Speedi-Sleeve)	.....	99076
Seal	.....	21098	1960-1957	TC152 (Rockwell Std. T223):	
(Speedi-Sleeve)	.....	99212	Seal	.....	7440
Bearing (Front)	.....	308-ZJ	(Speedi-Sleeve)	.....	99076
Bearing (Rear)	.....	307-ZJ	<b>Transmission-Automatic</b>		
<b>Mainshaft Pilot</b>			<b>Front Pump</b>		
1976-1971	TC142 (New Process 205):		1976-1971	T407 (Chrysler A727) Trans.:	
Bearing	..... [15]	QAR29523	Seal	.....	18508
1970-1959	TC141 (New Process 202):				(Continued)
Bearing	..... [15]	QBR23549			



# Passenger cars, light & medium trucks

## (Cont.) -- IHC Light Truck Pickup, Travelall, M.H.C., 1/2 Thru 1 1/2 Ton Models

MFG./YEAR	MODEL & LOCATION	PART NO.	MFG./YEAR	MODEL & LOCATION	PART NO.
<b>Transmission-Automatic (Cont.)</b>			<b>Transmission-Manual (Cont.)</b>		
<b>Front Pump (Cont.)</b>			<b>Front</b>		
1970-1956	T26, T27, T28, T39, T49 & T409 (Warner)		1976-1974	3 Spd. T331 & T332 (Warner T15) Trans.:	
	Trans.:		Seal	.....	12363
	Seal	19240	(Speedi-Sleeve)	.....	99125
	(Speedi-Sleeve)	99193	Bearing	.....	6308-NRJX
<b>Rear</b>			1976-1969	4 Spd. T418, T419 (Warner T18), T427 (Warner T19) & T428 (Warner T19A) Trans.:	
1976-1971	T407 (Chrysler A727) Trans. w/2 W/D:		Seal	.....	12363
	Seal	15729	(Speedi-Sleeve)	.....	99125
1976-1971	T407 (Chrysler A727) Trans. w/4 W/D:		1976-1966	5 Spd. T34, T36 & T496 (IHC) Trans.:	
	Seal	17386	Seal (1.250" Shaft)	.....	12363
	(Speedi-Sleeve)	99174	(Speedi-Sleeve) (1.250" Shaft)	.....	99125
1970-1966	T39 & T49 (Warner) Trans. w/4 W/D:		Seal (1.500" Shaft)	.....	14832
	Seal	17386	(Speedi-Sleeve) (1.500" Shaft)	.....	99149
	(Speedi-Sleeve)	99174	Bearing	.....	6212-ZNRJ2
	Bearing	307-J	1973-1966	4 Spd. T44 & T445 (Warner T18C) Trans. w/o 4 Cyl. Eng.:	
1970-1961	T28, T39, T49 & T409 (Warner) Trans. w/2 W/D:		Seal	.....	12363
	Seal	20053	(Speedi-Sleeve)	.....	99125
	(Speedi-Sleeve)	99199	Bearing (.787" Width)	.....	6308-NRJX
	Bearing	6307-NJ	Bearing (.906" Width)	.....	308-NRJ
1962-1956	T26 & T27 (Warner) Trans.:		1973-1966	4 Spd. T44 (Warner T18C) Trans. w/4 Cyl. Eng.:	
	Seal	20053	Seal	.....	9837
	(Speedi-Sleeve)	99199	(Speedi-Sleeve)	.....	99100
	Bearing	6307-NRJ	Bearing	.....	6308-NRJ
<b>Shift Shaft</b>			1973-1964	3 Spd. T4, T8 & T24 (IHC) Trans.:	
1976-1971	T407 (Chrysler A727) Trans.:		Seal	.....	12363
	Seal	8017	(Speedi-Sleeve)	.....	99125
1970-1961	T28, T39, T49 & T409 (Warner) Trans.:		Bearing	.....	208-ZNRJ
	Seal	7556	1973-1956	3 Spd. T5 (Warner T87D) & T7 (Warner T87E) Trans.:	
	(Speedi-Sleeve)	99076	Seal	.....	12363
<b>Transmission-Manual</b>			(Speedi-Sleeve)	.....	99125
<b>Countershaft</b>			Bearing	.....	209-NRJ
1976-1974	3 Spd. T331 & T332 (Warner T15) Trans.:		1968-1956	4 Spd. T15 & T16 (Warner T98A) Trans.:	
	Bearing	[44] C1086-Q	Seal	.....	12363
1976-1966	4 Spd. T44, T445 (Warner T18C), T418, T419 (Warner T18), T427 (Warner T19) & T428 (Warner T19A) Trans.:		(Speedi-Sleeve)	.....	99125
	Bearing	[88] C436-Q	Bearing	.....	308-NRJ
1976-1966	5 Spd. T34, T36 & T496 (IHC) Trans.:		1962-1956	3 Spd. T1 & T2 (IHC HNS) Trans.:	
	Bearing (Front)	M1207-TV	Seal	.....	12363
	Bearing (Rear)	308-ZNRJ	(Speedi-Sleeve)	.....	99125
1973-1969	3 Spd. IHC T24 Trans.:		Bearing	.....	6208-ZNRJ
	Bearing	[2] B1616	1960-1959	5 Spd. T19 & T22 (New Process 540) Trans.:	
	Bearing (Thrust)	NTA1625	Seal	.....	12363
1973-1956	3 Spd. T5 (Warner T87D) & T7 (Warner T87E) Trans.:		(Speedi-Sleeve)	.....	99125
	Bearing	[2] J32-2080	Bearing	.....	211-ZNRJ
1968-1964	3 Spd. T4 & T8 (IHC HWS) Trans.:		1960-1959	5 Spd. T30 & T31 (IHC) Trans.:	
	Bearing	[2] B1616	Seal (1.250" Shaft)	.....	12363
	Bearing (Thrust)	NTA2435	(Speedi-Sleeve) (1.250" Shaft)	.....	99125
1968-1956	4 Spd. T15 & T16 (Warner T98A) Trans.:		Seal (1.500" Shaft)	.....	14832
	Bearing	[88] C436-Q	(Speedi-Sleeve) (1.500" Shaft)	.....	99149
1960-1959	5 Spd. T19 & T22 (New Process 540) Trans.:		Bearing	.....	6211-ZNRJ
	Bearing (Front)	207-NRJ	1960-1956	4 Spd. T10 & T11 (Warner T9) Trans.:	
	Bearing (Rear)	B2816	Seal	.....	12363
1960-1959	5 Spd. T30 & T31 (IHC) Trans.:		(Speedi-Sleeve)	.....	99125
	Bearing (Front)	M1207-TV	Bearing	.....	209-J
	Bearing (Rear)	307-ZNRJ	<b>Mainshaft Pilot</b>		
1960-1956	4 Spd. T10 & T11 (Warner T9) Trans.:		1976-1974	5 Spd. T496 (IHC) Trans.:	
	Bearing	[2] J32-2080		Bearing	WJ182420
					(Continued)

## Passenger cars, light & medium trucks

### IHC Light Truck Pickup, Travelall, M.H.C., 1/2 Thru 1 1/2 Ton Models -- (Cont.)

MFG./YEAR	MODEL & LOCATION	PART NO.	MFG./YEAR	MODEL & LOCATION	PART NO.
<b>Transmission-Manual (Cont.)</b>			<b>Transmission-Manual (Cont.)</b>		
<b>Mainshaft Pilot (Cont.)</b>			<b>Rear (Cont.)</b>		
1976-1966	4 Spd. T44, T445 (Warner T18C), T418, T419 (Warner T18), T427 (Warner T19) & T428 (Warner T19A) Trans.:		1960-1959	5 Spd. T19 & T22 (New Process 540) Trans.:	
	Bearing .....	[22] C436-Q	Seal .....	21108	
1973-1966	5 Spd. T34 & T36 (IHC) Trans.:		(Speedi-Sleeve) .....	99212	
	Bearing .....	J36-2048	Bearing .....	6308-NRJ	
1960-1959	5 Spd. T19 & T22 (New Process 540) Trans.:		1960-1959	5 Spd. T30 & T31 (IHC) Trans.:	
	Bearing .....	[14] Q15902	Seal .....	22390	
1960-1959	5 Spd. T30 & T31 (IHC) Trans.:		(Speedi-Sleeve) .....	99225	
	Bearing .....	J36-1652	Bearing .....	6308-NRJ	
1960-1956	4 Spd. T10 & T11 (Warner T9) Trans.:		1960-1956	4 Spd. T10 & T11 (Warner T9) Trans.:	
	Bearing .....	J26-1648	Seal .....	20053	
			(Speedi-Sleeve) .....	99199	
			Bearing .....	6307-J	
<b>Rear</b>			<b>Reverse Idler</b>		
1976-1974	3 Spd. T331 & T332 (Warner T15) Trans.:		1976-1974	3 Spd. T331 & T332 (Warner T15) Trans.:	
	Seal .....	20053	Bearing .....	[22] C1086-Q	
	(Speedi-Sleeve) .....	99199	1976-1966	4 Spd. T44, T445 (Warner T18C), T418, T419 (Warner T18), T427 (Warner T19) & T428 (Warner T19A) Trans.:	
1976-1971	4 Spd. T427 (Warner T19) & T428 (Warner T19A) Trans.:			Bearing .....	[74] B1316-Q
	Seal (2.000" Shaft) .....	20053	1976-1966	5 Spd. T34, T36 & T496 (IHC) Trans.:	
	(Speedi-Sleeve) (2.00" Shaft) .....	99199		Bearing .....	[2] J36-1652
	Seal (2.125" Shaft) .....	21210	1968-1956	4 Spd. T15 & T16 (Warner T98A) Trans.:	
	(Speedi-Sleeve) (2.125" Shaft) .....	99212		Bearing .....	[74] B1316-Q
	Bearing .....	308-NRJ	1960-1959	5 Spd. T30 & T31 (IHC) Trans.:	
1976-1966	5 Spd. T34, T36 & T496 (IHC) Trans.:			Bearing .....	[2] J36-1652
	Seal .....	26110	<b>Shift Shaft</b>		
	(Speedi-Sleeve) .....	99262	1976-1974	3 Spd. T331 & T332 (Warner T15) Trans.:	
	Bearing .....	6309-NRJ	Seal .....	6130	
1973-1966	4 Spd. T44, T445 (Warner T18C) T418 & T419 (Warner T18) Trans.:		(Speedi-Sleeve) .....	99062	
	Seal .....	15620	1973-1964	3 Spd. T4, T8 & T24 (IHC) Trans.:	
	(Speedi-Sleeve) .....	99156	Seal .....	7556	
	Bearing .....	308-NRJ	(Speedi-Sleeve) .....	99076	
1973-1964	3 Spd. T4 & T24 (IHC) Trans.:		1973-1956	3 Spd. T5 (Warner T87D) Trans.:	
	Seal .....	17285	Seal (.625" Shaft) .....	6130	
	(Speedi-Sleeve) .....	99174	(Speedi-Sleeve) (.625" Shaft) .....	99062	
1973-1956	3 Spd. T5 (Warner T87D) & T7 (Warner T87E) Trans.:		Seal (.750" Shaft) .....	7464	
	Seal .....	20053	(Speedi-Sleeve) (.750" Shaft) .....	99076	
	(Speedi-Sleeve) .....	99199	1962-1956	3 Spd. T1 & T2 (IHC HNS) Trans.:	
	Bearing .....	6307-NJ	Seal .....	7464	
1968-1964	3 Spd. T8 (IHC HWS) Trans. w/o O/D:		(Speedi-Sleeve) .....	99076	
	Seal .....	15620	1960-1959	5 Spd. T19 & T22 (New Process 540) Trans.:	
	(Speedi-Sleeve) .....	99156	Seal .....	7440	
	Bearing .....	6207-J	(Speedi-Sleeve) .....	99076	
1968-1964	3 Spd. T8 (IHC HWS) Trans. w/O/D:		<b>Air Conditioning Compressor</b>		
	Seal .....	15620	1976-1971 All:		
	(Speedi-Sleeve) .....	99156	Bearing (Rear) .....	6203-J	
	Bearing .....	6206-ZJ	<b>Alternator</b>		
1968-1956	4 Spd. T15 & T16 (Warner T98A) Trans.:		1976-1971	37 & 61 Amp Delcotron w/o V400 Eng.:	
	Seal .....	20053	Bearing (Front) .....	6203-ZJ	
	(Speedi-Sleeve) .....	99199	Bearing (Rear) .....	MNJ471-S	
	Bearing .....	6308-NRJ	1976-1971	37 & 62 Amp Prestolite w/V400 Eng.:	
1962-1956	3 Spd. T1 (IHC HNS) Trans.:		Bearing (Front) .....	6203-2RSJ	
	Bearing .....	6306-ZNRJ	Bearing (Rear) .....	6200-2RSJ	
1962-1956	3 Spd. T2 (IHC HNS) Trans. w/o O/D:		<b>Drive Shaft</b>		
	Bearing .....	6207-J	1976-1969 All:		
1962-1956	3 Spd. T2 (IHC HNS) Trans. w/ O/D:		Bearing Only .....	BR88107	
	Seal .....	15620	Bearing & Support .....	HB88107-A	
	(Speedi-Sleeve) .....	99156		(Continued)	
	Bearing .....	6206-ZJ			

# Passenger cars, light & medium trucks

## (Cont.) -- IHC Light Truck Pickup, Travelall, M.H.C., 1/2 Thru 1 1/2 Ton Models

MFG./YEAR	MODEL & LOCATION	PART NO.	MFG./YEAR	MODEL & LOCATION	PART NO.
<b>Drive Shaft (Cont.)</b>			<b>Power Takeoff (Cont.)</b>		
1968-1966	Exc. 1500A, 1500B, 1500C & D Series:		<b>Output Shaft</b>		
	Bearing Only .....	6206-2RSJ	1973-1971	AT738 & AT749 w/4 Spd. Warner T18 Trans.:	
	Bearing & Support .....	HB206-FF		Seal .....	12458
1958-1956	A110, A120 w/2 W/D, A130, A150 & S130:			(Speedi-Sleeve) .....	99125
	Bearing Only .....	BR88107		Bearing (Front) .....	BR15126/BR15245
	Bearing & Support .....	HB88107-A		Bearing (Rear) .....	BR15117/BR15245
<b>Engine</b>			1973-1969	AT731 & AT739 w/TC141, TC142 & TC143	
<b>Crankshaft-Rear</b>				Transfer Cases:	
1976-1969	6-232 & 6-258 Engs.:			Seal .....	19886
	Seal (Rubber) .....	↔208		(Speedi-Sleeve) .....	99199
	(Superseded by).....	808		Bearing .....	207-J
1976-1959	4-152, V266, V304, V304A, V345, V345A & V392 Engs.:		1966-1957	AT640 w/TC140 & TC141 Transfer Cases:	
	Seal .....	37395		Seal .....	19886
	(Speedi-Sleeve) .....	99372		(Speedi-Sleeve) .....	99199
<b>Timing Cover</b>				Bearing (Front) .....	207-NRJ
1976-1971	V400 Eng.:			Bearing (Rear) .....	207-J
	Seal .....	19799	1960-1959	AT654 (Rockwell Std. P32PHD) w/Splined Sh. & TC155 Transfer Case:	
	(Speedi-Sleeve) .....	99199		Seal .....	16680
1976-1969	6-232 & 6-258 Engs.:			(Speedi-Sleeve) .....	99168
	Seal .....	17806		Bearing .....	[2] BR335/BR332
	(Speedi-Sleeve) .....	99179	1960-1959	AT654 (Rockwell Std. P32PHD) w/Tapered Sh. & TC155 Transfer Case:	
1976-1959	4-152, V266, V304, V304A, V345, V345A & V392 Engs.:			Seal .....	13797
	Seal .....	25082		(Speedi-Sleeve) .....	99138
	(Speedi-Sleeve) .....	99250		Bearing .....	[2] BR335/BR332
<b>Generator</b>			1960-1957	AT652 (Rockwell Std. P223) w/TC152	
1956	6 Volt 40 (08001), 45 (08005) & 50 (08011) Amps.:			Transfer Case:	
	Bearing (Front) .....	6203-J		Seal .....	15542
1956	12 Volt 40 (08071) & 50 (08055) Amp.:			(Speedi-Sleeve) .....	99156
	Bearing (Front) .....	BR8605		Bearing .....	6206-J
1956	12 Volt 30 (08051) Amp.:		1960-1957	AT653 (Rockwell Std. P223) w/Splined Sh. & TC152 Transfer Case:	
	Bearing (Front) .....	6203-J		Seal .....	19220
1956	6 Volt 45 (08020) & 55 (08010) Amp.:			(Speedi-Sleeve) .....	99193
	Bearing (Front) .....	BR8605		Bearing .....	■ 6207-NRJ
<b>Power Takeoff</b>			1960-1957	AT653 (Rockwell Std. P223) w/Tapered Sh. & TC152 Transfer Case:	
<b>Idler Shaft</b>				Seal .....	17386
1973-1971	AT738 & AT749 w/4 Spd. Warner T18 Trans.:			(Speedi-Sleeve) .....	99174
	Bearing .....	[2] BR21075		Bearing .....	■ 6207-NRJ
<b>Input Shaft</b>			<b>Reverse Idler</b>		
1973-1969	AT731 & AT739 w/TC141, TC142 & TC143		1973-1971	AT738 & AT749 w/4 Spd. Warner T18 Trans.:	
	Transfer Cases:			Bearing .....	[2] BR15126/BR15245
	Seal .....	10515	<b>Shift Shaft</b>		
	(Speedi-Sleeve) .....	99106	1973-1969	AT731 & AT739 w/TC141, TC142 & TC143	
	Bearing .....	B2012		Transfer Cases:	
1960-1957	AT652 (Rockwell Std. P223) w/TC152			Seal .....	6229
	Transfer Case:			(Speedi-Sleeve) .....	99062
	Seal .....	21098	1966-1957	AT640 w/TC140 & TC141 Transfer Cases:	
	(Speedi-Sleeve) .....	99212		Seal .....	6229
	Bearing .....	6206-J		(Speedi-Sleeve) .....	99062
1960-1957	AT653 (Rockwell Std. P223) w/TC152		1960-1957	AT652 (Rockwell Std. P223) w/TC152	
	Transfer Case:			Transfer Case:	
	Seal .....	21098		Seal .....	7443
	(Speedi-Sleeve) .....	99212		(Speedi-Sleeve) .....	99076
	Bearing .....	6207-J			(Continued)

**IHC Light Truck Pickup, Travelall, M.H.C., 1/2 Thru 1 1/2 Ton Models -- (Cont.)**

MFG./YEAR	MODEL & LOCATION	PART NO.	MFG./YEAR	MODEL & LOCATION	PART NO.
<b>Steering-Power</b>			<b>Steering-Standard (Cont.)</b>		
<b>Pitman Shaft</b>			<b>Pitman Shaft (Cont.)</b>		
1968-1961	Strg. Codes 05209 (Gemmer S9), 05215 (Ross TA54) & 05219 (Ross HPS52):		1970-1968	Strg. Codes 05060 (Ross TE54) & 05016 (Ross TA54):	
Seal		11081	Seal		11081
1966-1961	Strg. Code 05203 (Ross TL52):		1968-1966	Strg. Codes 05008 & 05009 (Gemmer 24D):	
Seal		9835	Seal		11081
1960-1957	A, B Series Exc. A150 & B150 w/R.H. Drive; B140:		Bearing		B1816
Seal		9837	1967-1961	Strg. Codes 05014 (Ross SL52) & 05015 (Ross TA54):	
1960-1957	A150 & B150 w/R.H. Drive:		Seal		11081
Seal		13536	1966-1961	Strg. Code 05003 (Ross TL52):	
1960-1957	B140 w/L.H. Drive:		Seal		9835
Seal		12334	1960-1957	A & B Series Exc. A140, B140, A150 & B150 w/R.H. Drive:	
1956	S100, S110 & S120 w/2 W/D:		Seal		9837
Seal		9243	1960-1957	A140, A150, B140 & B150 w/R.H. Drive:	
1956	S120 w/4 W/D, S130:		Seal		13536
Seal		9835	1960-1957	A140 & B140 w/L.H. Drive:	
<b>Pump Shaft</b>			Seal		12334
1976-1961	V8 Eng. w/o 1310MHC & 1510MHC:		1956	S100, S110 & S120 w/2 W/D:	
Seal		7475	Seal (1.379" O.D.)		9243
1960-1956	All:		Seal (1.691" O.D.)		12350
Seal		7440	1956	S120 w/4 W/D, S130:	
Bearing		6203-2RSJ	Seal		9835
<b>Worm Shaft</b>			<b>Worm Shaft</b>		
1967-1961	Strg. Code 05219 (Ross HPS52):		1976-1969	Strg. Code 05055 (Saginaw 525):	
Bearing (Thrust)		NTA1625	Seal		7481
1960-1959	Strg. Code 05223 (Ross TA61):		1960-1959	B140 & B150 w/Strg. Codes 05023 (Ross TA61) & 05026 (Ross TE66):	
Seal		9859	Seal		9859
<b>Steering-Standard</b>					
<b>Pitman Shaft</b>					
1976-1969	Strg. Code 05055 (Saginaw 525):				
Seal		11055			
1976-1961	Strg. Code 05165 (Gemmer 378):				
Seal		13537			

**Infiniti (FWD) G20**

<b>Wheel Front</b>			<b>Transaxle-Automatic (Cont.)</b>		
1995-1991	G20:		<b>Output Shaft</b>		
Seal		22013	1994-1991	G20 w/o Non Slip Diff.:	
Bearing		FW119	Seal (L.H.)		12912
<b>Clutch</b>			(Speedi-Sleeve) (L.H.)		99121
<b>Pilot</b>			Seal (R.H.)		15888
1995-1991	G20:		1994-1991	G20 w/Non Slip Diff.:	
Bearing (Bushing)		B22	Seal (L.H.)		12912
<b>Release</b>			(Speedi-Sleeve) (L.H.)		99121
1995-1991	G20:		Seal (R.H.)		16594
Bearing Assembly		N4027	<b>Transaxle-Manual</b>		
<b>Transaxle-Automatic</b>			<b>Differential</b>		
<b>Differential</b>			1995-1991	G20 w/o Non Slip Diff.:	
1995-1991	G20 w/o Slip Diff.:		Bearing		[2] 32010-X
Bearing		[2] 32008-X	1995-1991	G20 w/Non Slip Diff.:	
<b>Front Pump</b>			Bearing (L.H.)		32010-X
1995-1991	G20:		<b>Input Shaft</b>		
Seal		16536	1995-1991	G20:	
			Seal		10181
			(Speedi-Sleeve)		99103
			Bearing		6305-J
					(Continued)

MFG./YEAR	MODEL & LOCATION	PART NO.	MFG./YEAR	MODEL & LOCATION	PART NO.
<b>Transaxle-Manual (Cont.)</b>			<b>Engine</b>		
<b>Output Shaft</b>			<b>Crankshaft-Rear</b>		
1994-1991 G20 w/o Non Slip Diff.:			1995-1991 G20:		
	Seal (L.H.) .....	12912		Seal .....	33405
	(Speedi-Sleeve) (L.H.) .....	99121		(Speedi-Sleeve) .....	99332
	Seal (R.H.) .....	15888	<b>Timing Cover</b>		
1994-1991 G20 w/Non Slip Diff.:			1995-1991 G20:		
	Seal (L.H.) .....	12912		Seal .....	17897
	(Speedi-Sleeve) (L.H.) .....	99121		(Speedi-Sleeve) .....	99181
	Seal (R.H.) .....	16594	<b>Alternator</b>		
1995-1993 G20 w/Mitsubishi Alt. From 2/93:			1995-1993 G20 w/Mitsubishi Alt. From 2/93:		
	Bearing (Front) .....	6303-2RSJ	Bearing (Front) .....		
1993-1991 G20 w/Hitachi Alt.:			1993-1991 G20 w/Hitachi Alt.:		
	Bearing (Front) .....	6303-2RSJ	Bearing (Front) .....		
	Bearing (Rear) .....	AB7	Bearing (Rear) .....		

**Infiniti (RWD) J30, M30, Q45**

<b>Wheel Front</b>			<b>Transmission-Automatic</b>		
1995-1993 J30:			<b>Front Pump</b>		
	Seal .....	20455	1995-1990 J30, M30 & Q45:		
1995-1990 Q45:			Seal .....		
	Seal .....	22013	17679		
	Bearing .....	FW121	<b>Rear Extension</b>		
1992-1990 M30:			1995-1990 J30 & M30:		
	Seal .....	17905		Seal .....	14703
	Bearing (Inner) .....	BR6		(Speedi-Sleeve) .....	99147
	(Set Components) .....	LM67048/LM67010	1994-1990 Q45:		
	Bearing (Outer) .....	BR2		Seal .....	16511
	(Set Components) .....	LM11949/LM11910		(Speedi-Sleeve) .....	99169
<b>Wheel Rear</b>			<b>Alternator</b>		
1995-1993 J30:			1995-1993 J30:		
	Seal .....	22808		Bearing (Front) .....	6303-2RSJ
	Sealed Bearing .....	GRW178	1995-1990 Q45:		
1992-1990 M30:			Bearing (Front) .....		
	Seal .....	15902	6303-2RSJ		
	Sealed Bearing (Inner) .....	GRW101	1992-1990 M30:		
	Sealed Bearing (Outer) .....	GRW159	Bearing (Front) .....		
<b>Pinion</b>			6303-2RSJ		
<b>Rear Axle</b>			<b>Drive Shaft</b>		
1995-1991 Q45 w/Traction Control:			1995-1993 J30:		
	Seal .....	15882		Bearing & Support .....	HB1280-30
	Bearing (Front) .....	BR32306	1992-1990 M30:		
	Bearing (Rear) .....	BR67	Bearing & Support .....		
1995-1993 J30:			HB1280-30		
	Bearing (Rear) .....	BR32307	<b>Engine</b>		
1995-1990 Q45 w/o Traction Control:			<b>Camshaft</b>		
	Bearing (Front) .....	BR32306	1995-1993 J30:		
	Bearing (Rear) .....	BR67		Seal .....	15800
1992-1990 M30:				(Speedi-Sleeve) .....	99157
	Bearing (R.H.) .....	BR32306	1992-1990 M30:		
<b>Differential</b>			Seal .....		
<b>Rear Axle</b>			13429		
1995-1990 J30, M30 & Q45:			(Speedi-Sleeve) .....		
	Bearing .....	BR59	99134		
			<b>Crankshaft-Rear</b>		
			1995-1990 Q45:		
			Seal .....		
			33405		
			(Speedi-Sleeve) .....		
			99331		
			1995-1993 J30:		
			Seal .....		
			33405		
			(Speedi-Sleeve) .....		
			99331		
			(Continued)		

**Infiniti (RWD) J30, M30, Q45 -- (Cont.)**

MFG./YEAR	MODEL & LOCATION	PART NO.	MFG./YEAR	MODEL & LOCATION	PART NO.
<b>Engine (Cont.)</b>			<b>Engine (Cont.)</b>		
<b>Crankshaft-Rear (Cont.)</b>			<b>Timing Belt and Tensioner Kit</b>		
1992-1990	M30:		1992-1990	M30 w/3.0L Eng.:	
Seal	.....	33405	Belt & Tensioner Kit	.....	VKMA92004
(Speedi-Sleeve)	.....	99331	<b>Timing Cover</b>		
<b>Timing Belt Idler</b>			1995-1990	Q45:	
1995	J30:		Seal	.....	19601
Bearing & Housing Assy.	.....	VKM82000	(Speedi-Sleeve)	.....	99196
1994-1990	J30 & M30:		1992-1990	M30:	
Bearing & Housing Assy.	.....	VKM82501	Seal	.....	12886
<b>Timing Belt Tensioner</b>			(Speedi-Sleeve)	.....	99121
1992-1990	M30 w/3.0L Eng.:				
Bearing & Housing Assy.	.....	VKM72004			

**Isuzu I-Mark, Impulse, Stylus**

<b>Wheel Front</b>			<b>Wheel Front (Cont.)</b>		
1993-1991	Stylus w/o Lotus Suspension:		1984-1981	I-Mark:	
Seal (Inner)	.....	19613	Seal	.....	15298
Seal (Outer)	.....	16514	Bearing (Inner)	.....	BR4
Sealed Bearing	.....	FW150	(Set Components)	.....	L44649/L44610
1993-1991	Stylus w/Lotus Suspension:		Bearing (Outer)	.....	BR1
Seal (Inner)	.....	19613	(Set Components)	.....	LM11749/LM11710
Seal (Outer)	.....	19599	<b>Wheel Rear</b>		
Sealed Bearing	.....	FW20	1993-1991	Stylus Thru 6/93:	
1992-1991	Impulse w/Lotus Suspension From 2/91:		Hub Assembly	.....	BR930231
Seal (Inner)	.....	19621	1992-1990	Impulse w/o ABS:	
Seal (Outer)	.....	19599	Hub Assembly	.....	BR930231
Sealed Bearing	.....	FW20	1989-1985	I-Mark:	
1992-1990	Impulse w/o Lotus Suspension From 6/90:		Seal	.....	14705
Seal (Inner)	.....	19613	Bearing (Inner)	.....	BR4
Seal (Outer)	.....	16514	(Set Components)	.....	L44649/L44610
Sealed Bearing	.....	FW150	Bearing (Outer)	.....	BR1
1991-1990	Impulse w/Lotus Suspension Thru 1/91:		(Set Components)	.....	LM11749/LM11710
Seal (Inner)	.....	19613	1989-1985	Impulsew/Turbo:	
Seal (Outer)	.....	19599	Sealed Bearing w/Lock Ring	.....	GRW124-RA
Sealed Bearing	.....	FW20	<b>Pinion</b>		
1989-1988	I-Mark w/Hard Suspension:		<b>Rear Axle</b>		
Seal	.....	19604	1992-1990	Impulse:	
Sealed Bearing	.....	FW162	Seal	.....	14057
1989-1987	I-Mark w/o Hard Suspension:		(Speedi-Sleeve)	.....	99146
Seal (Inner)	.....	19604	Bearing (Front)	.....	BR30305
Seal (Outer)	.....	16522	Bearing (Rear)	.....	BR02475/BR02420
Bearing	.....	B35	1989-1985	Impulsew/Turbo:	
1989-1983	Impulse:		Seal	.....	15790
Seal	.....	15802	(Speedi-Sleeve)	.....	99156
Bearing (Inner)	.....	BR8	Bearing (Front)	.....	BR30306
(Set Components)	.....	L45449/L45410	Bearing (Rear)	.....	BR32307
Bearing (Outer)	.....	BR1	1988-1983	Impulse w/o Turbo:	
(Set Components)	.....	LM11749/LM11710	Seal	.....	20440
1987	I-Mark w/Hard Suspension:		(Speedi-Sleeve)	.....	99204
Seal (Inner)	.....	19604	1984-1981	I-Mark:	
Seal (Outer)	.....	16522	Seal	.....	20440
Sealed Bearing	.....	FW162	(Speedi-Sleeve)	.....	99204
1986-1985	I-Mark:		(Continued)		
Seal (Inner)	.....	19604			
Seal (Outer)	.....	16522			
Bearing	.....	B35			

MFG./YEAR	MODEL & LOCATION	PART NO.	MFG./YEAR	MODEL & LOCATION	PART NO.
<b>Differential</b>			<b>Transaxle-Manual (Cont.)</b>		
<b>Rear Axle</b>			<b>Output Shaft</b>		
1992-1991 Impulsew/A.W.D.:			1993-1985 I-Mark & Stylus:		
	Bearing .....	BR5		Seal .....	13954
	(Set Components) .....	LM48548/LM48510		(Speedi-Sleeve) .....	99139
1989-1985 Impulsew/Turbo:				Bearing (L.H.) .....	BR5
	Bearing .....	BR35		(Set Components) .....	LM48548/LM48510
	(Set Components) .....	LM501349/LM501310		Bearing (R.H.) .....	BR32206
<b>Clutch</b>			1992-1991 Impulsew/Turbo:		
<b>Pilot</b>				Seal (L.H.) .....	13750
1989-1981 I-Mark & Impulse:				(Speedi-Sleeve) (L.H.) .....	99138
	Bearing .....	6203-2RSJ		Seal (R.H.) .....	21327
				(Speedi-Sleeve) (R.H.) .....	99210
<b>Release</b>			1992-1990 Impulse w/o Turbo:		
1993-1990 Impulse & Stylus:				Seal .....	13750
	Bearing Assembly .....	N4042		(Speedi-Sleeve) .....	99138
1989-1985 I-Mark:			<b>Transmission-Automatic</b>		
	Bearing Assembly .....	N4042	<b>Front Pump</b>		
1989-1983 Impulse:			1989-1981 All:		
	Bearing Only .....	N4013		Seal .....	14772
	Bearing Assembly .....	N4076		(Speedi-Sleeve) .....	99147
1984-1981 I-Mark:			<b>Rear</b>		
	Bearing Only .....	N4013	1989-1985 Impulsew/Turbo:		
<b>Transaxle-Automatic</b>				Seal .....	15270
<b>Differential</b>			1988-1983 Impulse w/o Turbo:		
1992-1990 Impulse:				Seal .....	13857
	Bearing .....	BR30208		(Speedi-Sleeve) .....	99139
1989-1985 I-Mark:			1984-1981 I-Mark:		
	Bearing .....	32008-X		Seal .....	13857
				(Speedi-Sleeve) .....	99139
<b>Front Pump</b>			<b>Transmission-Manual</b>		
1993-1985 I-Mark & Stylus:			<b>Front</b>		
	Seal .....	17753	1989-1981 All:		
	(Speedi-Sleeve) .....	99177		Seal .....	10661
1992-1990 Impulse:				(Speedi-Sleeve) .....	99106
	Seal .....	16023	<b>Rear</b>		
<b>Output Shaft</b>			1989-1985 Impulsew/Turbo:		
1993-1992 Stylus:				Seal .....	14773
	Seal .....	13750		(Speedi-Sleeve) .....	99149
	(Speedi-Sleeve) .....	99138	1988-1983 Impulse w/o Turbo:		
1991-1985 All:				Seal .....	550095
	Seal .....	13954	1984-1981 I-Mark:		
	(Speedi-Sleeve) .....	99139		Seal (L.H.) .....	550095
<b>Transaxle-Manual</b>				Seal (R.H.) .....	13857
<b>Differential</b>				(Speedi-Sleeve) (R.H.) .....	99139
1993-1991 Stylus:			<b>Air Conditioning Clutch</b>		
	Bearing .....	32008-X	1983-1981 I-Mark & Impulse:		
1992-1990 Impulse:				Bearing .....	5106-WCC
	Bearing (L.H.) .....	32008-X	<b>Alternator</b>		
<b>Input Shaft</b>			1988-1985 Impulse w/2.0L Turbo:		
1993-1985 All:				Bearing (Front) .....	6203-2RSJ
	Seal .....	10937		Bearing (Rear) .....	6201-2RSJ
	(Speedi-Sleeve) .....	99111	1985-1981 I-Mark w/o Diesel Eng.:		
	Bearing .....	BR30306		Bearing (Front) .....	6203-2RSJ
				Bearing (Rear) .....	6201-2RSJ
			1984-1981 Diesel Eng.:		
				Bearing (Front) .....	6303-2RSJ
				Bearing (Rear) .....	6202-2RSJ
			(Continued)		

Isuzu I-Mark, Impulse, Stylus -- (Cont.)

MFG./YEAR	MODEL & LOCATION	PART NO.
<b>Engine</b>		
<b>Camshaft</b>		
1993-1991	1.6L Eng. w/o DOHC:	
	Seal .....	15800
	(Speedi-Sleeve) .....	99157
1992	1.8L Eng.:	
	Seal .....	11592
	(Speedi-Sleeve) .....	99114
1992-1989	1.6L DOHC Eng.:	
	Seal .....	11592
	(Speedi-Sleeve) .....	99114
1989-1985	1.5L Gas Eng.:	
	Seal .....	15800
	(Speedi-Sleeve) .....	99157
1987-1985	2.0L Gas Eng. w/Turbo:	
	Seal .....	11592
	(Speedi-Sleeve) .....	99114
1984-1981	1.8L Diesel Eng.:	
	Seal .....	10957
	(Speedi-Sleeve) .....	99111
<b>Crankshaft-Rear</b>		
1993-1990	1.6L Eng. From 7/90:	
	Seal .....	34115
1992	1.8L Eng.:	
	Seal .....	34115
1990-1985	1.5L & 1.6L Gas Eng. Thru 6/90:	
	Seal .....	34120
1989-1985	2.0L Gas Eng. w/Turbo:	
	Seal .....	37030
	(Speedi-Sleeve) .....	99369
1987-1986	1.9L Gas Eng.:	
	Seal .....	32304
	(Speedi-Sleeve) .....	99328
1984-1981	1.8L Diesel Eng.:	
	Seal .....	37030
	(Speedi-Sleeve) .....	99369
1984-1981	1.8L Gas Eng.:	
	Seal .....	32304
	(Speedi-Sleeve) .....	99328

Engine (Cont.)

MFG./YEAR	MODEL & LOCATION	PART NO.
<b>Timing Belt Tensioner</b>		
1993-1991	Stylus w/1.6L Eng.:	
	Bearing & Housing Assy. ....	VKM55003
1992-1990	Impulse w/1.6L Eng.:	
	Bearing & Housing Assy. ....	VKM79005
1986	I-Mark w/1.5L Eng.:	
	Bearing & Housing Assy. ....	VKM55006
<b>Timing Cover</b>		
1993-1985	1.5L, 1.6L & 1.8L Gas Eng.:	
	Seal .....	12706
	(Speedi-Sleeve) .....	99128
1989-1985	2.0L Gas Eng. w/Turbo:	
	Seal .....	15829
	(Speedi-Sleeve) .....	99157
1987-1986	1.9L Gas Eng.:	
	Seal .....	19619
	(Speedi-Sleeve) .....	99196
1984-1981	1.8L Diesel Eng.:	
	Seal .....	15829
	(Speedi-Sleeve) .....	99157
1984-1981	1.8L Gas Eng.:	
	Seal .....	19619
	(Speedi-Sleeve) .....	99196

Steering-Power

Pump Shaft

1992-1990	Impulse & Stylus:	
	Seal .....	6622
1989-1983	Impulse:	
	Seal .....	6620

Isuzu Truck

Wheel Front (2 W/D)

1995-1991	Rodeo:	
	Seal .....	23278
	Bearing (Inner) .....	32009-XJA
	Bearing (Outer) .....	32008-X
1995-1988	Pickup:	
	Seal .....	19628
	Bearing (Inner) .....	BR5
	(Set Components) .....	LM48548/LM48510
	Bearing (Outer) .....	BR3
	(Set Components) .....	M12649/M12610
1994-1989	Amigo:	
	Seal .....	23278
	Bearing (Inner) .....	32009-XJA
	Bearing (Outer) .....	32008-X
1987-1981	Pickup:	
	Seal .....	18962
	Bearing (Inner) .....	BR32206
	Bearing (Outer) .....	BR32304

Wheel Front (4 W/D)

1995-1986	Trooper & Trooper II From 11/86:	
	Seal .....	23278
	Bearing (Inner) .....	32009-XJA
	Bearing (Outer) .....	32008-X
1995-1991	Rodeo:	
	Seal .....	23278
	Bearing (Inner) .....	32009-XJA
	Bearing (Outer) .....	32008-X
1995-1988	Amigo & Pickup:	
	Seal .....	23278
	Bearing (Inner) .....	32009-XJA
	Bearing (Outer) .....	32008-X
1987-1984	Pickup:	
	Seal .....	21064
	Bearing (Inner) .....	32008-X
	Bearing (Outer) .....	BR32007
1986-1984	Trooper II Thru 10/86:	
	Seal .....	21064
	Bearing (Inner) .....	32008-X
	Bearing (Outer) .....	BR32007

(Continued)



MFG./YEAR	MODEL & LOCATION	PART NO.	MFG./YEAR	MODEL & LOCATION	PART NO.
<b>Wheel Front (4 W/D) (Cont.)</b>			<b>Wheel Rear (Cont.)</b>		
<b>Axle Shaft</b>			<b>1990-1988 Pickup w/2.6L Eng. Thru 8/90:</b>		
<b>1995-1993 Rodeo:</b>			Seal (Inner) ..... 20440		
Seal (Inner) ..... 20875			Seal (Outer) ..... 18671		
<b>1994-1992 Trooper:</b>			Sealed Bearing w/Lock Ring ..... GRW155-R		
Seal ..... 12187			<b>1987-1984 Trooper II Thru 6/87:</b>		
Bearing ..... 6006-RSNRJ			Seal (Inner) ..... 13445		
<b>1991-1987 Trooper &amp; Trooper II From 7/87:</b>			Seal (Outer) ..... 18873		
Seal (Inner) ..... 12187			Bearing ..... BR30208		
Seal (Dust) ..... 23880			<b>1987-1981 Pickup:</b>		
Bearing (Inner) ..... 6006-RSNRJ			Seal (Inner) ..... 13445		
<b>1989-1988 Pickup:</b>			Seal (Outer) ..... 18873		
Bearing ..... 6006-RSNRJ			Bearing ..... BR30208		
<b>1987-1984 Trooper II Thru 6/87:</b>			<b>Pinion</b>		
Seal (Inner) ..... 10983			<b>Front Axle</b>		
Seal (Dust) ..... 22005			<b>1995-1988 Exc. Amigo &amp; Rodeo From '88:</b>		
<b>1987-1984 Pickup:</b>			Seal ..... ↯16021		
Seal ..... 10983			(Superseded by): ..... 16441		
Seal (Dust) ..... 22005			Bearing (Front) ..... BR32307		
<b>Spindle Hub</b>			Bearing (Rear) ..... BR30306		
<b>1989-1986 Trooper II From 11/86:</b>			<b>1987 Trooper II From 7/87:</b>		
Seal ..... 20448			Seal ..... 15790		
Bearing ..... HK3016			(Speedi-Sleeve) ..... 99156		
<b>1987-1984 Pickup:</b>			Bearing (Front) ..... BR32307		
Seal ..... 18959			Bearing (Rear) ..... BR30306		
Bearing Assembly ..... HK2816			<b>1987-1981 Pickup; Trooper II Thru 6/87:</b>		
<b>1986-1984 Trooper II Thru 10/86:</b>			Seal ..... 13878		
Seal ..... 18959			(Speedi-Sleeve) ..... 99138		
Bearing Assembly ..... HK2816			Bearing (Front) ..... BR30305		
<b>Wheel Rear</b>			Bearing (Rear) ..... BR02475/BR02420		
<b>1995-1993 Rodeo w/V6 Eng.:</b>			<b>Rear Axle</b>		
Seal ..... 18731			<b>1995-1993 Rodeo w/Dana Axle:</b>		
Sealed Bearing w/Lock Ring ..... GRW131-R			Seal ..... 15791		
Bearing Kit ..... WKH131			(Speedi-Sleeve) ..... 99155		
<b>1995-1992 Trooper:</b>			Bearing (Front) ..... BR02872/BR02820		
Seal (Inner) ..... 20440			Bearing (Rear) ..... HM88649/HM88610		
Seal (Outer) ..... 18671			<b>1995-1991 Rodeo w/o Dana Axle:</b>		
Sealed Bearing ..... GRW155			Seal ..... 14755		
<b>1995-1993 Rodeo w/o V6 Eng.:</b>			(Speedi-Sleeve) ..... 99147		
Seal ..... 14002			Bearing (Front) ..... M86649/M86610		
Bearing ..... R1563-TAV			Bearing (Rear) ..... HM89249/HM89210		
<b>1995-1990 Pickup w/2.6L Eng. From 9/90:</b>			<b>1995-1990 Pickup w/2.3L Eng. From 9/90:</b>		
Seal (Inner) ..... 15844			Seal ..... 15790		
Seal (Outer) ..... 20440			(Speedi-Sleeve) ..... 99156		
Sealed Bearing w/Lock Ring ..... GRW155-R			Bearing (Front) ..... BR30306		
<b>1995-1988 Amigo &amp; Pickup w/2.3L Eng.:</b>			Bearing (Rear) ..... BR32307		
Seal (Inner) ..... 13445			<b>1995-1988 Pickup, Trooper &amp; Trooper II w/2.6L Eng.:</b>		
Seal (Outer) ..... 18671			Seal ..... 17808		
Bearing ..... BR30208			(Speedi-Sleeve) ..... 99177		
<b>1994-1989 Amigo w/2.6L Eng.:</b>			Bearing (Front) ..... 323/32-C		
Seal (Inner) ..... 20440			<b>1994-1989 Amigo w/o 2.3L Eng.:</b>		
Seal (Outer) ..... 18671			Seal ..... 17808		
Sealed Bearing w/Lock Ring ..... GRW155-R			(Speedi-Sleeve) ..... 99177		
<b>1992-1991 Rodeo:</b>			Bearing (Front) ..... 323/32-C		
Seal ..... 14002			<b>1993-1989 Amigo w/2.3L Eng.:</b>		
Bearing ..... R1563-TAV			Seal ..... 15790		
<b>1991-1987 Trooper &amp; Trooper II From 7/87:</b>			(Speedi-Sleeve) ..... 99156		
Seal (Inner) ..... 20440			Bearing (Front) ..... BR30306		
Seal (Outer) ..... 18671			Bearing (Rear) ..... BR32307		
Sealed Bearing w/Lock Ring ..... GRW155-R					

(Continued)

Isuzu Truck -- (Cont.)

MFG./YEAR	MODEL & LOCATION	PART NO.	MFG./YEAR	MODEL & LOCATION	PART NO.
<b>Pinion (Cont.)</b>			<b>Clutch (Cont.)</b>		
<b>Rear Axle (Cont.)</b>			<b>Pilot (Cont.)</b>		
1990-1988	Pickup w/2.3L Gas Eng. Thru 8/90:		1989	Trooper II w/V6 Eng.:	
	Seal .....	15790		Bearing .....	B652HD
	(Speedi-Sleeve) .....	99156	<b>Release</b>		
	Bearing (Front) .....	BR30306	1995-1991	Rodeo w/o Borg Warner Trans.:	
	Bearing (Rear) .....	BR32307		Bearing Only .....	N3076
1987-1983	Pickup; Trooper II Thru 6/87:		1995-1991	Rodeo w/Borg Warner Trans.:	
	Seal .....	15790		Bearing Assembly .....	N4008-SA
	(Speedi-Sleeve) .....	99156	1994-1989	Amigo w/o 4 W/D:	
	Bearing (Front) .....	BR30306		Bearing Only .....	N3055
	Bearing (Rear) .....	BR32307	1994-1989	Amigo w/2.6L Eng.:	
1982-1981	Pickup:			Bearing Only .....	N3076
	Seal .....	15863	1994-1988	Pickup w/2.3L Eng.:	
	(Speedi-Sleeve) .....	99157		Bearing Only .....	N3055
	Bearing (Front) .....	BR30306	1994-1988	Pickup w/2.6L Eng.:	
	Bearing (Rear) .....	BR32307		Bearing Only .....	N3076
<b>Differential</b>			1991-1987	Trooper & Trooper II From 7/87:	
<b>Front Axle</b>				Bearing Only .....	N3076
1995-1988	All:		1987	Pickup w/Diesel Eng.:	
	Bearing .....	BR35		Bearing Only .....	N4013
	(Set Components) .....	LM501349/LM501310	1987-1981	Pickup w/Gas Eng.; Trooper II Thru 6/87:	
1987	Trooper II From 7/87:			Bearing Only .....	N3055
	Bearing .....	BR35	<b>Transfer Case</b>		
	(Set Components) .....	LM501349/LM501310	<b>Front Output Shaft</b>		
1987-1984	Trooper II Thru 6/87:		1992-1991	Pickup From 6/91:	
	Bearing .....	BR5		Seal .....	18015
	(Set Components) .....	LM48548/LM48510	1991-1987	Trooper II:	
1987-1981	Pickup w/4 W/D:			Seal .....	22840
	Bearing .....	BR5	1987-1981	Pickup:	
	(Set Components) .....	LM48548/LM48510		Seal .....	15851
<b>Rear Axle</b>				(Speedi-Sleeve) .....	99157
1995-1993	Rodeo w/V6 Eng.; Amigo:			Bearing (Front) .....	6206-J
	Bearing .....	BR25590/BR25523		Bearing (Rear) .....	6305-NRJ
1995-1991	Rodeo w/o V6 Eng.:		1986-1984	Trooper II:	
	Bearing .....	BR72		Seal .....	15851
	(Set Components) .....	LM501349/LM501314		(Speedi-Sleeve) .....	99157
1995-1987	Trooper & Trooper II From 7/87:			Bearing .....	6206-J
	Bearing .....	BR30210	<b>Input Shaft</b>		
1995-1988	Pickup w/2.6L Eng.:		1992-1988	Pickup:	
	Bearing .....	BR30210		Bearing .....	6207-J
1995-1988	Pickup w/2.3L Eng.:		1991-1990	Trooper II w/V6 Eng.:	
	Bearing .....	BR35		Seal .....	15742
	(Set Components) .....	LM501349/LM501310	1991-1987	Trooper II w/o V6 Eng.:	
1994-1989	Amigo w/o 4 W/D:			Seal .....	15270
	Bearing .....	BR35	1987-1981	Pickup:	
	(Set Components) .....	LM501349/LM501310		Seal .....	10661
1994-1989	Amigo w/4 W/D:			(Speedi-Sleeve) .....	99106
	Bearing .....	BR30210	<b>Rear Output Shaft</b>		
1987-1984	Trooper II Thru 6/87:		1992-1988	Pickup:	
	Bearing .....	BR35		Bearing .....	6307-J
	(Set Components) .....	LM501349/LM501310	1987-1981	Pickup:	
1987-1981	Pickup:			Seal .....	14773
	Bearing .....	BR35		(Speedi-Sleeve) .....	99149
	(Set Components) .....	LM501349/LM501310	1986-1984	Trooper II:	
<b>Clutch</b>				Bearing .....	6305-NRJ
<b>Pilot</b>					(Continued)
1995-1992	Rodeo w/V6 Eng.; Amigo:				
	Bearing .....	6203-VSP20			
1995-1981	Pickup, Rodeo & Trooper; Trooper II w/o V6 Eng.:				
	Bearing .....	6203-2RSJ			

MFG./YEAR	MODEL & LOCATION	PART NO.	MFG./YEAR	MODEL & LOCATION	PART NO.
<b>Transmission-Automatic</b>			<b>Transmission-Manual (Cont.)</b>		
<b>Front Pump</b>			<b>Rear (Cont.)</b>		
<b>1995-1990 Rodeo &amp; Amigo w/4 W/D:</b>			<b>1987-1981 Pickup w/o Turbo:</b>		
Seal .....		15838	Seal .....		550095
(Speedi-Sleeve) .....		99157	<b>Rear Extension</b>		
<b>1995-1983 Amigo &amp; Pickup:</b>			<b>1989-1988 Pickup w/2.6L Eng.:</b>		
Seal .....		14772	Seal .....		16529
(Speedi-Sleeve) .....		99147	(Speedi-Sleeve) .....		99169
<b>1991-1987 Trooper II:</b>			<b>Air Conditioning Clutch</b>		
Seal .....		14719	<b>1983-1981 Pickup:</b>		
(Speedi-Sleeve) .....		99147	Bearing .....		5106-WCC
<b>1982-1981 Pickup:</b>			<b>Alternator</b>		
Seal .....		17458	<b>1987-1986 2.3L Eng.:</b>		
(Speedi-Sleeve) .....		99174	Bearing (Front) .....		6202-2RSJ
<b>Rear</b>			<b>1987-1981 2.2L Diesel Eng. w/50 Amp.:</b>		
<b>1995-1991 Amigo &amp; Rodeo w/4 W/D From 4/91:</b>			Bearing (Front) .....		6303-2RSJ
Seal .....		15742	Bearing (Rear) .....		6202-2RSJ
<b>1995-1989 Trooper &amp; Trooper II:</b>			<b>1982-1981 1.8L &amp; 2.0L Gas Eng. w/o Turbo:</b>		
Seal .....		15838	Bearing (Front) .....		6203-2RSJ
(Speedi-Sleeve) .....		99157	Bearing (Rear) .....		6201-2RSJ
<b>1995-1987 Amigo &amp; Pickup:</b>			<b>1981 2.2L Diesel Eng. w/40 Amp.:</b>		
Seal .....		15270	Bearing (Front) .....		6302-2RSJ
<b>1991 Rodeo w/4 W/D Thru 3/91:</b>			Bearing (Rear) .....		6202-2RSJ
Seal .....		15742	<b>Drive Shaft</b>		
<b>1986-1983 Pickup:</b>			<b>Rear</b>		
Seal .....		13857	<b>1995-1994 Rodeo:</b>		
(Speedi-Sleeve) .....		99139	Bearing (Center) .....		HB1550-10
<b>1982-1981 Pickup:</b>			<b>1987-1984 Trooper II:</b>		
Seal .....		15041	Bearing .....		HB21
(Speedi-Sleeve) .....		99149	<b>1987-1984 Pickup w/4 W/D:</b>		
(Speedi-Sleeve/Seal Kit) .....		480150	Bearing .....		HB21
<b>Shift Shaft</b>			<b>1987-1981 Pickup w/o 4 W/D:</b>		
<b>1982-1981 Pickup:</b>			Bearing .....		HB20
Seal .....		4912	<b>Engine</b>		
(Speedi-Sleeve) .....		99050	<b>Camshaft</b>		
(Speedi-Sleeve/Seal Kit) .....		480050	<b>1995-1993 Amigo &amp; Rodeo w/V6 Eng.:</b>		
<b>Transmission-Manual</b>			Seal .....		11592
<b>Front</b>			(Speedi-Sleeve) .....		99114
<b>1995-1991 Rodeo w/V6 Eng. w/o 4 W/D:</b>			<b>1995-1992 Trooper w/V6 Eng.:</b>		
Seal .....		12363	Seal .....		11592
(Speedi-Sleeve) .....		99125	(Speedi-Sleeve) .....		99114
<b>1993-1991 Amigo w/2.3L Eng. From 5/91:</b>			<b>1995-1989 2.3L &amp; 2.6L Eng. Exc. Trooper II:</b>		
Seal .....		10640	Seal .....		11592
(Speedi-Sleeve) .....		99106	(Speedi-Sleeve) .....		99114
<b>1991-1988 2.3L &amp; 2.6L Eng. Thru 4/91:</b>			<b>1991-1988 Trooper &amp; Trooper II w/Gas Eng. From 4/88:</b>		
Seal .....		10494	Seal .....		11592
(Speedi-Sleeve) .....		99111	(Speedi-Sleeve) .....		99114
<b>1988-1986 Pickup &amp; Trooper II w/2.3L Eng. Thru 5/88:</b>			<b>1988-1986 2.0L, 2.3L &amp; 2.6L Gas Eng. Thru 3/88:</b>		
Seal .....		10661	Seal .....		11592
(Speedi-Sleeve) .....		99106	(Speedi-Sleeve) .....		99114
<b>Rear</b>			<b>1987-1981 2.2L Diesel Eng.:</b>		
<b>1995-1992 Trooper:</b>			Seal .....		16503
Seal .....		15742	(Speedi-Sleeve) .....		99169
<b>1995-1991 Rodeo w/V6 Eng. w/o 4 W/D:</b>			<b>Crankshaft-Rear</b>		
Seal .....		14635	<b>1995-1993 Amigo &amp; Rodeo w/V6 Eng.:</b>		
<b>1995-1989 2.3L &amp; 2.6L Eng.:</b>			Seal .....		37030
Seal .....		15270	(Speedi-Sleeve) .....		99369
<b>1991-1988 Trooper &amp; Trooper II From 9/88:</b>			<b>1995-1991 Trooper w/V6 Eng.:</b>		
Seal .....		15270	Seal .....		37030
<b>1988-1984 Pickup w/Turbo; Trooper II Thru 8/88:</b>			(Speedi-Sleeve) .....		99369
Seal .....		14773	<b>(Continued)</b>		
(Speedi-Sleeve) .....		99149			

Isuzu Truck -- (Cont.)

MFG./YEAR	MODEL & LOCATION	PART NO.	MFG./YEAR	MODEL & LOCATION	PART NO.
<b>Engine (Cont.)</b>			<b>Engine (Cont.)</b>		
<b>Crankshaft-Rear (Cont.)</b>			<b>Timing Cover</b>		
1995-1986	2.3L & 2.6L Gas Eng.:		1995-1993	Rodeo & Amigo w/V6 Eng.:	
	Seal .....	37030		Seal .....	16471
	(Speedi-Sleeve) .....	99369	1995-1992	Trooper w/V6 Eng.:	
1994-1991	Pickup w/V6 Eng.; Rodeo w/V6 Eng. Thru 12/92:			Seal .....	16471
	Seal .....	29862	1995-1988	2.3L & 2.6L Gas Eng. From 4/88:	
	(Speedi-Sleeve) .....	99298		Seal .....	15829
1990-1989	Trooper II w/V6 Eng.:			(Speedi-Sleeve) .....	99157
	Seal .....	29862	1994-1991	Pickup w/V6 Eng.:	
	(Speedi-Sleeve) .....	99298		Seal .....	17280
1987-1981	1.8L, 2.0L & 2.2L Eng.:			(Speedi-Sleeve) .....	99174
	Seal .....	32304	1992-1991	Rodeo w/V6 Eng.:	
	(Speedi-Sleeve) .....	99328		Seal .....	17280
				(Speedi-Sleeve) .....	99174
<b>Timing Belt Idler</b>			1991-1989	Trooper II w/V6 Eng.:	
1995-1990	Trooper II w/2.8L & 4.3L Eng.:			Seal .....	17280
	Bearing & Housing Assy. ....	VKM900052		(Speedi-Sleeve) .....	99174
1995-1992	Trooper:		1988-1986	2.3L & 2.6L Gas Eng. Thru 3/88:	
	Bearing & Housing Assy. ....	VKM89000		Seal .....	15829
1994-1991	Pickup & Rodeo w/3.1L Eng.:			(Speedi-Sleeve) .....	99157
	Bearing & Housing Assy. ....	VKM900027	1987-1986	Trooper II w/Diesel Eng.:	
<b>Timing Belt Tensioner</b>				Seal .....	25419
1995	Rodeo w/2.6L Eng.:		1987-1982	Pickup w/2.2L Diesel Eng.:	
	Bearing & Housing Assy. ....	VKM79000		Seal .....	25419
1995-1993	Rodeo w/3.2L Eng.:		1987-1981	1.8L, 1.9L & 2.0L Gas Eng.:	
	Bearing & Housing Assy. ....	VKM79007		Seal .....	19619
1995-1992	Trooper:			(Speedi-Sleeve) .....	99196
	Bearing & Housing Assy. ....	VKM79007	<b>Steering-Power</b>		
1995-1988	Pickup & Amigo w/2.6L Eng.:		<b>Pump Shaft</b>		
	Bearing & Housing Assy. ....	VKM79000	1988-1986	w/o Saginaw:	
1995-1986	Amigo & Pickup w/2.3L Eng.:			Seal .....	6620
	Bearing & Housing Assy. ....	VKM79001	1987-1983	Saginaw:	
1987-1984	2.2L Eng.:			Seal .....	7475
	Bearing & Housing Assy. ....	VKM79001	1982-1981	w/o Diesel Eng.:	
<b>Timing Belt and Tensioner Kit</b>				Seal .....	5821
1995-1993	Rodeo w/3.2L Eng.:		<b>Worm Shaft</b>		
	Belt & Tensioner Kit .....	VKMA99011	1987-1981	All:	
1995-1992	Trooper:			Seal .....	8516
	Belt & Tensioner Kit .....	VKMA99011	<b>Steering-Standard</b>		
1995-1991	Rodeo w/2.6L Eng.:		<b>Pitman Shaft</b>		
	Belt & Tensioner Kit .....	VKMA99003	1988-1983	All:	
1995-1988	Amigo & Pickup w/2.6L Eng.:			Seal .....	12735
	Belt & Tensioner Kit .....	VKMA99003	1982-1981	All:	
1995-1986	Pickup w/2.3L Eng.:			Seal .....	11086
	Belt & Tensioner Kit .....	VKMA99001	<b>Worm Shaft</b>		
1993-1989	Amigo w/2.3L Eng.:		1987-1981	All:	
	Belt & Tensioner Kit .....	VKMA99001		Seal .....	6622
1991-1990	Trooper w/2.6L Eng.:				
	Belt & Tensioner Kit .....	VKMA99003			
1987-1986	Trooper w/2.3L Eng.:				
	Belt & Tensioner Kit .....	VKMA99001			

# Passenger cars, light & medium trucks

Isuzu Truck EVR, FRR, FSR, FTR, FVR, NNR, NRR					
MFG./YEAR	MODEL & LOCATION	PART NO.	MFG./YEAR	MODEL & LOCATION	PART NO.
<b>Wheel Front</b>			<b>Transmission-Automatic (Cont.)</b>		
1995-1988 FRR, FSR & NNR:			<b>Mainshaft Extension</b>		
	Seal .....	29520	1995-1987 Trans. Codes AT542 & AT545:		
	Bearing (Inner) .....	BR44		Seal .....	4912
	Bearing (Outer) .....	BR47		(Speedi-Sleeve) .....	99050
1995-1987 FTR:				(Speedi-Sleeve/Seal Kit) .....	480050
	Seal .....	33460	<b>Rear Extension</b>		
	Bearing (Inner) .....	SET412	1995-1987 Trans. Codes AT542 & AT545:		
	(Set Components) .....	HM212047/HM212011		Seal .....	25661
1995-1987 EVR & FVR:				(Speedi-Sleeve) .....	99256
	Seal .....	47210		Bearing .....	6009-J
<b>Wheel Rear</b>			<b>Transmission-Manual</b>		
1995-1990 FSR & NNR:			<b>Input Shaft</b>		
	Seal (Inner) .....	37408	1995-1988 Trans. Code FS6106:		
	Seal (Outer) .....	22284		Seal .....	20659
	Bearing (Inner) .....	BR32215		(Speedi-Sleeve) .....	99205
	Bearing (Outer) .....	BR32213	<b>Output Shaft</b>		
1995-1987 FTR:			1995-1988 Trans. Code FS6106:		
	Bearing (Outer) .....	BR32215		Seal .....	27365
1994-1987 EVR & FVR:				(Speedi-Sleeve) .....	99274
	Seal (Inner) .....	46060	<b>Drive Shaft</b>		
	Seal (Outer) .....	30771	1987-1984 FTR & FSR:		
<b>Pinion</b>			Bearing & Support .....		
1995-1988 R065 & R077 Axles:			HB2390-30		
	Bearing (Front) .....	BR30309	<b>Steering-Power</b>		
1994-1987 R105 Axle:			<b>Pump Shaft</b>		
	Bearing (Front) .....	SET401	1994-1987 EVR, FSR, FTR & FVR:		
	(Set Components) .....	BR580/BR572		Seal .....	9725
<b>Differential</b>				Bearing .....	6305-ZJ
1995-1988 R065 Axle:			<b>Worm Shaft</b>		
	Bearing .....	[2] BR3984/BR3920	1994-1987 EVR, FSR, FTR & FVR:		
<b>Clutch</b>			Seal .....		
<b>Pilot</b>			9725		
1994-1987 5.8L, 6.5L, 8.4L, Turbo-Diesel & 6.5L Diesel					
	Engs.:				
	Bearing .....	6205-2RSJ			
<b>Transmission-Automatic</b>					
<b>Front Pump</b>					
1995-1987 Trans. Codes AT542 & AT545:					
	Seal .....	18671			
	(Speedi-Sleeve) .....	99187			

Iveco Truck					
<b>Wheel Front</b>			<b>Wheel Rear (Cont.)</b>		
1991-1982 All:			1989-1986 Z340T, 335T, 340T, 435T & 450T:		
	Seal (Inner) .....	29540		Bearing (Inner) .....	SET425
	Bearing (Inner) .....	BR30309		(Set Components) .....	BR567/BR563
	Bearing (Outer) .....	BR30307		Bearing (Outer) .....	BR3984/BR3920
<b>Wheel Rear</b>			1985 From Chas. No. 3677:		
1991-1990 2316:				Bearing .....	[2] BR33113
	Bearing (Outer) .....	BR3984/BR3920	1985-1984 Thru Chas. No. 3676:		
1991-1986 Z100, Z110, 110, 120TA, Z220T, Z220, 220T,				Bearing .....	[2] 32014-X
	220, Z230T, 230T, 1514, 1514AS, 1814 & 1816:		(Continued)		
	Bearing .....	[2] BR33113			
1989 1214 w/Auto Trans.:					
	Bearing .....	[2] BR33113			
1989 1214 w/Man. Trans.:					
	Bearing .....	[2] 32014-X			

Iveco Truck -- (Cont.)

MFG./YEAR	MODEL & LOCATION	PART NO.	MFG./YEAR	MODEL & LOCATION	PART NO.
<b>Pinion</b>			<b>Transmission-Automatic (Cont.)</b>		
1991-1990	Rockwell Std. H140E:		<b>Rear Extension (Cont.)</b>		
	Seal .....	23710	1986-1982	Trans. Code A727 w/2 Piece Driveshaft:	
	(Speedi-Sleeve) .....	99237		Seal .....	15729
	Bearing (Front) .....	55176-C/BR55443	<b>Transmission-Manual</b>		
	Bearing (Pilot) .....	RU1570-UM	<b>Countershaft</b>		
	Bearing (Rear) .....	55187-C/BR55443	1991-1982	Trans. Codes 2828, 2831, 2835 & 2846:	
1991-1983	Axles 4516, 4516HD, 4519 & 4519HD:			Bearing .....	BR32208
	Seal .....	19665	<b>Input Shaft</b>		
	(Speedi-Sleeve) .....	99196	1991-1983	Trans. Codes 2835 & 2846:	
	Bearing (Front) .....	BR32208		Seal .....	16521
	Bearing (Rear) .....	BR32308		(Speedi-Sleeve) .....	99169
<b>Differential</b>				Bearing .....	311-ZNRJ
1991-1990	Rockwell Std. H140E:		1991-1982	Trans. Codes 2828 & 2831:	
	Bearing .....	[2] BR33281/BR33472		Seal .....	15828
1991-1989	Axle 4519:			(Speedi-Sleeve) .....	99157
	Bearing .....	[2] 32014-X		Bearing .....	309-NRJ
1991-1983	Axles 4516 & 4516HD:		<b>Mainshaft</b>		
	Bearing .....	[2] 32013-X	1991-1983	Trans. Codes 2835 & 2846:	
<b>Transmission-Automatic</b>				Bearing .....	311-NRJ
<b>Front Pump</b>			1991-1982	Trans. Codes 2828 & 2831:	
1991-1982	Trans. Code A727:			Seal .....	21640
	Seal .....	18508		(Speedi-Sleeve) .....	99215
<b>Rear Extension</b>				Bearing .....	309-NRJ
1991-1987	Trans. Code A727:		<b>Wheel Front</b>		
	Seal .....	16725	1995-1990	XJ6:	
	(Speedi-Sleeve) .....	99168		Seal .....	18565
	(Speedi-Sleeve/Seal Kit) .....	480168		Bearing (Inner) .....	BR17
	Bearing .....	■ 6207-VSP55		(Set Components) .....	L68149/L68111
1986-1982	Trans. Code A727 w/1 Piece Driveshaft:			Bearing (Outer) .....	BR8
	Seal .....	16725		(Set Components) .....	L45449/L45410
	(Speedi-Sleeve) .....	99168		Bearing Kit .....	WKH3472
	Bearing .....	■ 6207-VSP55	1992-1982	XJS H.E.:	
<b>Wheel Front (Cont.)</b>				Seal .....	18565
1989-1977	XJ6 Coupe & Convertible From Ser. 2J53010/2T64825:			Bearing (Inner) .....	BR13
	Seal .....	18565		(Set Components) .....	L68149/L68110
	Bearing (Inner) .....	BR13		Bearing (Outer) .....	BR12
	(Set Components) .....	L68149/L68110		(Set Components) .....	LM12749/LM12710
	Bearing (Outer) .....	BR12	1979-1977	XJ12 From Ser. 2R57152:	
	(Set Components) .....	LM12749/LM12710		Seal .....	18565
1977-1976	XJS Thru Ser. 2W53169:			Bearing (Inner) .....	BR13
	Seal .....	18565		(Set Components) .....	L68149/L68110
	Bearing (Inner) .....	BR6		Bearing (Outer) .....	BR12
	(Set Components) .....	LM67048/LM67010		(Set Components) .....	LM12749/LM12710
	Bearing (Outer) .....	BR2		1977-1976	XJS Thru Ser. 2W53169:
	(Set Components) .....	LM11949/LM11910		Seal .....	18565
				Bearing (Inner) .....	BR6
				(Set Components) .....	LM67048/LM67010
				Bearing (Outer) .....	BR2
				(Set Components) .....	LM11949/LM11910
					(Continued)

Jaguar

<b>Wheel Front</b>			<b>Wheel Front (Cont.)</b>		
1995-1990	XJ6:		1989-1977	XJ6 Coupe & Convertible From Ser. 2J53010/2T64825:	
	Seal .....	18565		Seal .....	18565
	Bearing (Inner) .....	BR17		Bearing (Inner) .....	BR13
	(Set Components) .....	L68149/L68111		(Set Components) .....	L68149/L68110
	Bearing (Outer) .....	BR8		Bearing (Outer) .....	BR12
	(Set Components) .....	L45449/L45410		(Set Components) .....	LM12749/LM12710
	Bearing Kit .....	WKH3472	1979-1977	XJ12 From Ser. 2R57152:	
1992-1982	XJS H.E.:			Seal .....	18565
	Seal .....	18565		Bearing (Inner) .....	BR13
	Bearing (Inner) .....	BR13		(Set Components) .....	L68149/L68110
	(Set Components) .....	L68149/L68110		Bearing (Outer) .....	BR12
	Bearing (Outer) .....	BR12		(Set Components) .....	LM12749/LM12710
	(Set Components) .....	LM12749/LM12710	1977-1976	XJS Thru Ser. 2W53169:	
	Bearing Kit .....	VKBA3474		Seal .....	18565
1989-1977	XJS From Ser. 2W53170:			Bearing (Inner) .....	BR6
	Seal .....	18565		(Set Components) .....	LM67048/LM67010
	Bearing (Inner) .....	BR13		Bearing (Outer) .....	BR2
	(Set Components) .....	L68149/L68110		(Set Components) .....	LM11949/LM11910
	Bearing (Outer) .....	BR12			(Continued)
	(Set Components) .....	LM12749/LM12710			
	Bearing Kit .....	VKBA3474			

MFG./YEAR	MODEL & LOCATION	PART NO.	MFG./YEAR	MODEL & LOCATION	PART NO.
<b>Wheel Front (Cont.)</b>			<b>Pinion</b>		
1977-1973	XJ12 Thru Ser. 2R57151:		1985-1969	XJ12 & XJ6 w/o Limited Slip Diff.:	
	Seal .....	18565		Seal .....	↔29292
	Bearing (Inner) .....	BR6		(Superseded by:) .....	29192
	(Set Components) .....	LM67048/LM67010		(Speedi-Sleeve) .....	99847
	Bearing (Outer) .....	BR2		Bearing (Front) .....	M88043/M88010
	(Set Components) .....	LM11949/LM11910		Bearing (Rear) .....	HM89446/HM89410
1977-1969	XJ6 Thru Ser. 2J53009/2T64824:		1985-1969	XJ12 & XJ6 w/Limited Slip Diff.:	
	Seal .....	18565		Seal .....	18891
	Bearing (Inner) .....	BR6		(Speedi-Sleeve) .....	99187
	(Set Components) .....	LM67048/LM67010		Bearing (Front) .....	M88043/M88010
	Bearing (Outer) .....	BR2		Bearing (Rear) .....	HM89446/HM89410
	(Set Components) .....	LM11949/LM11910	1981-1976	XJS:	
1974-1965	E Type:			Seal .....	18891
	Bearing (Inner) .....	BR6		(Speedi-Sleeve) .....	99187
	(Set Components) .....	LM67048/LM67010		Bearing (Front) .....	M88043/M88010
	Bearing (Outer) .....	BR2		Bearing (Rear) .....	HM89446/HM89410
	(Set Components) .....	LM11949/LM11910	1974-1961	XKE Exc. 150:	
1974-1960	MK II, IX & X; XK, XKE, 240, 3.4S, 340, 3.8S & 420:			Seal .....	18671
	Bearing (Inner) .....	BR6		(Speedi-Sleeve) .....	99187
	(Set Components) .....	LM67048/LM67010		Bearing (Front) .....	M88043/M88010
	Bearing (Outer) .....	BR2		Bearing (Rear) .....	HM89446/HM89410
	(Set Components) .....	LM11949/LM11910	1970-1960	MK II, IX & X; XK, XKE150, 240, 3.4S, 340, 3.8S & 420:	
				Bearing (Front) .....	BR02872/BR02820
				Bearing (Rear) .....	BR31593/BR31520
<b>Wheel Rear</b>			<b>Differential</b>		
1995-1988	XJ6:		1985-1976	XJS, XJ12 Series 3 & XJ6 Series 3:	
	Seal .....	22368		Bearing (Inner) .....	BR25577/BR25523
	Bearing (Inner) .....	BR35		Bearing (Outer) .....	BR17
	(Set Components) .....	LM501349/LM501310		(Set Components) .....	L68149/L68111
	Bearing (Outer) .....	LM503349-A/LM503310	1979-1974	XJ12 Series 2 & XJ6 Series 2 w/o Limited Slip Diff.:	
1995-1994	XJ12, XJS & XJR:			Bearing (Inner) .....	BR25577/BR25523
	Bearing (Inner) .....	BR35	1979-1974	XJ12 Series 2 & XJ6 Series 2 w/Limited Slip Diff.:	
	(Set Components) .....	LM501349/LM501310		Bearing (Inner) .....	BR25577/BR25523
	Bearing (Outer) .....	LM503349-A/LM503310		Bearing (Outer) .....	BR17
1992-1973	XJS, XJS H.E. & XJ12:			(Set Components) .....	L68149/L68111
	Seal (Inner) .....	22368	1974-1965	MK II 3.4 & 3.8, MK IX & X, XK, XKE, 3.4S, 340, 3.8S & 420:	
	Seal (Outer) .....	29208		Bearing (Inner) .....	BR25577/BR25523
	Bearing (Inner) .....	BR18590/BR18520		Bearing (Outer) .....	BR5
	Bearing (Outer) .....	BR18690/BR18620		(Set Components) .....	LM48548/LM48510
	Bearing Kit .....	WKH866	1973-1969	XJ12 & XJ6:	
1987-1981	XJ6:			Bearing (Inner) .....	BR25577/BR25523
	Seal (Inner) .....	22368		Bearing (Outer) .....	BR17
	Seal (Outer) .....	29208		(Set Components) .....	L68149/L68111
	Bearing (Inner) .....	BR18590/BR18520	1970-1960	MK II 2.4 & 240:	
	Bearing (Outer) .....	BR18690/BR18620		Bearing .....	BR24780/BR24721
	Bearing Kit .....	WKH866	1964-1960	MK II 3.4 & 3.8, MK IX & X, XK, XKE, 3.4S, 340, 3.8S & 420:	
1974-1965	E Type:			Bearing .....	BR25577/BR25523
	Bearing (Inner) .....	BR18590/BR18520	<b>Transmission-Automatic</b>		
	Bearing (Outer) .....	BR18690/BR18620	<b>Front Pump</b>		
1974-1960	MK IX & X; XK, XKE (Exc. 150), 240, 3.4S, 340, 3.8S & 420:		1989-1973	XJS, XJS H.E., XJ12 w/THM400:	
	Bearing (Inner) .....	BR18590/BR18520		Seal .....	18692
	Bearing (Outer) .....	BR18690/BR18620		(Speedi-Sleeve) .....	99187
1967-1960	MK II:			(Speedi-Sleeve/Seal Kit) .....	480187
	Bearing .....	BR14130/BR14276	1985-1973	XJS, XJS H.E., XJ12 Exc. THM400:	
1961-1960	XK & XKE150:			Seal .....	19240
	Bearing .....	BR25877/BR25820		(Speedi-Sleeve) .....	99193
					(Continued)

**Jaguar -- (Cont.)**

MFG./YEAR	MODEL & LOCATION	PART NO.	MFG./YEAR	MODEL & LOCATION	PART NO.
<b>Transmission-Automatic (Cont.)</b>			<b>Transmission-Manual</b>		
<b>Front Pump (Cont.)</b>			<b>Front</b>		
<b>1985-1969 XJ6 w/Borg Warner 65 &amp; 66 Trans.:</b>			<b>1969-1959 MK IX, X, 2.4 &amp; 3.4:</b>		
Seal		16692	Seal		21320
(Speedi-Sleeve)		99168	(Speedi-Sleeve)		99210
<b>1979-1974 XJ6 Series 2 w/BW12:</b>			<b>Rear</b>		
Seal		19240	<b>1974-1960 XK, XKE, MK II, IX &amp; X:</b>		
(Speedi-Sleeve)		99193	Seal		17484
<b>1979-1974 XJ6 Series 2 w/BW35:</b>			(Speedi-Sleeve)		99174
Seal		16898	<b>1973-1970 XJ6:</b>		
(Speedi-Sleeve)		99182	Seal		16999
<b>1974-1960 MK X, XKE, 240, 3.4S, 340, 3.8S &amp; 420:</b>			(Speedi-Sleeve)		99168
Seal		19240	<b>Engine</b>		
(Speedi-Sleeve)		99193	<b>Timing Cover</b>		
<b>Rear</b>			<b>1985-1973 XJS, XJS H.E. &amp; XJ12:</b>		
<b>1985-1973 XJS, XJS H.E., XJ12 Exc. THM400:</b>			Seal		21098
Seal		21210	(Speedi-Sleeve)		99212
(Speedi-Sleeve)		99212	<b>1985-1969 XJ6:</b>		
<b>1985-1973 XJS, XJS H.E., XJ12 w/THM400:</b>			Seal		19831
Seal		18992	(Speedi-Sleeve)		99199
<b>1979-1974 XJ6 Series 2 w/BW12:</b>			<b>1971-1963 XKE 3.8 &amp; 4.2, MK X:</b>		
Seal		21210	Seal		19807
(Speedi-Sleeve)		99212	(Speedi-Sleeve)		99199
<b>1979-1974 XJ6 Series 2 w/BW35:</b>			(Speedi-Sleeve/Seal Kit)		480198
Seal		550095	<b>1967-1960 MK II 2.4 &amp; 3.4:</b>		
(Speedi-Sleeve)		99138	Seal		19807
<b>1974-1960 MK X, XKE, 240, 3.4S, 340, 3.8S &amp; 420:</b>			(Speedi-Sleeve)		99199
Seal		15620	(Speedi-Sleeve/Seal Kit)		480198
(Speedi-Sleeve)		99156	<b>Wheel Front</b>		
<b>1959-1950 w/o 2.4L Eng.:</b>			<b>Wheel Front (Cont.)</b>		
Seal		17484	<b>1975-1974 All:</b>		
(Speedi-Sleeve)		99174	Seal (2.125" Shaft)		21159

**Jeep CJ, Commando, DJ, Jeepsters VJ, Renegade, Scrambler, Wrangler**

<b>1995-1991 All:</b>			<b>1973-1972 All:</b>		
Hub Assembly		BR930014	Seal		21159
<b>1990-1987 All:</b>			Seal (2.313" Shaft)		23035
Seal (Inner)		28646	Bearing	[2]	BR35
Seal (Center)		24110	(Set Components)		LM501349/LM501310
Seal (Outer)		24886	<b>1971-1962 CJ Series From Ser. 144078:</b>		
Bearing Only	[2]	JLM603048F/JLM603013Z	Seal		21159
Hub Assembly		BR930040	Bearing	[2]	BR35
<b>1986-1984 All:</b>			(Set Components)		LM501349/LM501310
Seal		23300	<b>1971-1962 DJ Series &amp; Jeepster VJ:</b>		
Bearing (Inner)		BR50	Seal		16520
(Set Components)		LM102949/LM102910	Bearing (Inner)		BR15123/BR15245
Bearing (Outer)		BR35	Bearing (Outer)		BR09067/BR09195
(Set Components)		LM501349/LM501310	<b>1964-1962 CJ Series Thru Ser. 144078:</b>		
<b>1983-1981 All:</b>			Seal		21101
Seal		23035	Bearing	[2]	BR18590/BR18520
Bearing (Inner)		BR50	<b>1961-1956 Exc. CJ Series:</b>		
(Set Components)		LM102949/LM102910	Seal		16520
Bearing (Outer)		BR35	Bearing (Inner)		BR15123/BR15245
(Set Components)		LM501349/LM501310	Bearing (Outer)		BR09067/BR09195
<b>1980-1976 All:</b>					(Continued)
Seal (2.125" Shaft)		21159			
Seal (2.313" Shaft)		23035			
Bearing (Inner)		BR50			
(Set Components)		LM102949/LM102910			
Bearing (Outer)		BR35			
(Set Components)		LM501349/LM501310			



# Passenger cars, light & medium trucks

## (Cont.) -- Jeep CJ, Commando, DJ, Jeepsters VJ, Renegade, Scrambler, Wrangler

MFG./YEAR	MODEL & LOCATION	PART NO.	MFG./YEAR	MODEL & LOCATION	PART NO.
<b>Wheel Front (Cont.)</b>			<b>Wheel Rear (Cont.)</b>		
<b>Axle Shaft</b>			1971-1962 DJ Series & Jeepster VJ:		
1995-1993	Wrangler w/o Auto. Disconnect:		Seal		12508
	Seal	11899	Bearing	15121-T/BR15245	
1995-1993	Wrangler w/Auto. Disconnect:		1971-1962 Jeepster C101 w/Model 30 Axle:		
	Seal (L.H.)	11899	Seal (Inner)		13710
	Seal (R.H.)	15843	Seal (Outer)		13955
1992-1987	All:		Bearing	BR25877/BR25821	
	Seal (L.H.)	11899	1971-1962 Jeepster C101 w/Model 44 Axle:		
	Seal (R.H. 1.575" I.D.)	15843	Seal (Inner)		13710
	Seal (R.H. 1.625" I.D.)	16083	Seal (Outer)		13956
	Bearing	BH208	Bearing	BR25877/BR25821	
1986-1972	All:		1961-1941 CJ Series w/Model 44 Flg. Axle:		
	Seal	11899	Seal (Inner)		15142
1971-1946	All:		Seal (Outer)		18731
	Seal	11771	Bearing		BR10
<b>Spindle Hub</b>			1961-1941 CJ Series w/Model 44 Tapered Axle:		
1995-1977	4 W/D:		Seal (Inner)		13710
	Seal (Inner)	22311	Seal (Outer)		20168
	Seal (Outer)	711818	Bearing		BR10
	Bearing Assembly	B2110	<b>Pinion</b>		
	Seal & Bearing Kit	BK1	<b>Front Axle</b>		
1976	4 W/D:		1995-1976 4 W/D:		
	Seal (Inner)	22311	Seal		15788
	Seal (Outer)	711818	(Speedi-Sleeve)		99155
1975-1962	4 W/D:		Bearing (Front)	HM88649/HM88610	
	Seal (Inner)	19992	Bearing (Rear)	BR02872/BR02820	
	Seal (Outer)	711818	1975-1974 4 W/D:		
	Bearing Assembly	B2110	Seal		15788
	Seal & Bearing Kit	BK2	(Speedi-Sleeve)		99155
<b>Steering Knuckle</b>			Bearing (Front)	BR31594/BR31520	
1973-1962	Solid Frt. Suspension:		Bearing (Rear)	BR02872/BR02820	
	Seal	41555	1973-1972 4 W/D:		
1971-1954	All:		Seal		15788
	Bearing	BR11590/BR11520	(Speedi-Sleeve)		99155
<b>Wheel Rear</b>			Bearing (Front)	HM88649/HM88610	
1995-1987	Spicer 44 Axle:		Bearing (Rear)	BR02872/BR02820	
	Seal	18731	1971-1962 Model 27 Axle From Ser. 19315 Thru 20035:		
	Bearing	BR10	Seal		15788
1995-1990	Spicer 35 Axle:		(Speedi-Sleeve)		99155
	Seal	13992	Bearing (Front)	HM88649/HM88610	
	Bearing	R1563-TAV	Bearing (Rear)	M86647/M86610	
1989-1987	Spicer 35 Axle:		1971-1962 Model 27 Axle From Ser. 24380:		
	Seal (Inner)	13671	Seal		15788
	Seal (Outer)	16747	(Speedi-Sleeve)		99155
	Bearing	BR9	Bearing (Front)	HM88649/HM88610	
1986-1976	All:		Bearing (Rear)	BR02872/BR02820	
	Seal (Inner)	13839	1964-1962 Model 25 Axle:		
	Seal (Outer)	13508	Seal		15788
	Bearing	BR5	(Speedi-Sleeve)		99155
	(Set Components)	LM48548/LM48510	Bearing (Front)	BR31594/BR31520	
1975-1972	All:		Bearing (Rear)	BR02872/BR02820	
	Seal (Inner)	15142	1961-1948 Model 28 Axle:		
	Seal (Outer)	18731	Seal		15788
	Bearing	BR10	(Speedi-Sleeve)		99155
1971-1962	CJ Series:		(Continued)		
	Seal (Inner)	13710			
	Seal (Outer)	13956			
	Bearing	BR25877/BR25821			

Jeep CJ, Commando, DJ, Jeepsters VJ, Renegade, Scrambler, Wrangler --  
(Cont.)

MFG./YEAR	MODEL & LOCATION	PART NO.	MFG./YEAR	MODEL & LOCATION	PART NO.
<b>Pinion (Cont.)</b>			<b>Differential (Cont.)</b>		
<b>Rear Axle</b>			<b>Front Axle (Cont.)</b>		
<b>1995-1987 Spicer 35 Axle:</b>			<b>1973-1953 Spicer 27 Axle:</b>		
Seal		18472	Bearing	[2] LM501349/LM501311	
Bearing (Front)	M86649/M86610		<b>Rear Axle</b>		
Bearing (Rear)	BR90		<b>1995-1987 Spicer 44 Axle:</b>		
(Set Components)	HM88648/HM88610		Bearing	[2] BR25590/BR25523	
<b>1995-1987 Spicer 44 Axle:</b>			<b>1995-1987 Spicer 35 Axle:</b>		
Seal		15788	Bearing	[2] BR72	
(Speedi-Sleeve)	99155		(Set Components)	LM501349/LM501314	
Bearing (Front)	BR02872/BR02820		<b>1986 10 Bolt Cvr.:</b>		
Bearing (Rear)	BR31594/BR31520		Bearing	[2] BR25590/BR25523	
<b>1986 10 Bolt Cvr.:</b>			<b>1986 12 Bolt Cvr.:</b>		
Seal		15788	Bearing	[2] BR36	
(Speedi-Sleeve)	99155		(Set Components)	LM603049/LM603012	
Bearing (Front)	BR02872/BR02820		<b>1985-1976 All:</b>		
Bearing (Rear)	BR31594/BR31520		Bearing	[2] BR36	
<b>1986 12 Bolt Cvr.:</b>			(Set Components)	LM603049/LM603012	
Seal		18472	<b>1975-1972 All:</b>		
Bearing (Front)	BR52		Bearing	[2] BR25590/BR25523	
(Set Components)	M88048/M88010		<b>1971-1962 CJ Series w/Tapered Axle:</b>		
Bearing (Rear)	M802048/M802011		Bearing	[2] BR25577/BR25523	
<b>1985-1974 All:</b>			<b>1971-1962 DJ Series &amp; Jeepster VJ w/Tapered Axle:</b>		
Seal		18472	Bearing	[2] LM501349/LM501311	
Bearing (Front)	BR52		<b>1971-1962 Flg. Axle:</b>		
(Set Components)	M88048/M88010		Bearing	[2] BR25590/BR25523	
Bearing (Rear)	M802048/M802011		<b>1961-1946 All:</b>		
<b>1973-1972 All:</b>			Bearing	[2] BR24780/BR24721	
Seal		15788	<b>Clutch</b>		
(Speedi-Sleeve)	99155		<b>Pilot</b>		
Bearing (Front)	BR02872/BR02820		<b>1995-1992 6 Cyl. Eng.:</b>		
Bearing (Rear)	BR31594/BR31520		Bearing	B128	
<b>1971-1962 DJ Series &amp; Jeepster VJ:</b>			<b>1995-1986 4 Cyl. Eng.:</b>		
Seal		15788	Bearing	FC65446	
(Speedi-Sleeve)	99155		<b>1991-1987 6 Cyl. Eng.:</b>		
Bearing (Front)	BR02872/BR02820		Bearing	B041	
Bearing (Rear)	HM88649/HM88610		<b>1991-1983 2.5L (AMC) Eng.:</b>		
<b>1971-1946 CJ Series:</b>			Bearing	FC65446	
Seal		15788	<b>1986-1981 6 &amp; 8 Cyl. Eng.:</b>		
(Speedi-Sleeve)	99155		Bearing	B041	
Bearing (Front)	BR02872/BR02820		<b>1983-1981 2.5L (GM) Eng.:</b>		
Bearing (Rear)	BR31594/BR31520		Bearing (Bushing)	B656	
<b>Differential</b>			(Heavy Duty)	B657	
<b>Kit</b>			<b>Release</b>		
<b>1990-1987 Dana 35 Axle:</b>			<b>1995-1994 All:</b>		
Standard Seal and Bearing Kit Rear		SDK335	Bearing Assembly	N4093	
<b>1990-1986 Dana 44 Axle:</b>			<b>1993 All:</b>		
Standard Seal and Bearing Kit Rear		SDK339-B	Bearing Assembly	N4904	
<b>1990-1971 Dana 30 Axle:</b>			<b>1992-1991 2.5L Eng. w/Hyd. Clutch:</b>		
Standard Seal and Bearing Kit Front		SDK334	Bearing Assembly	N4901	
<b>1986-1976 AMC 20 Axle:</b>			<b>1992-1991 4.0L Eng. w/Hyd. Clutch:</b>		
Standard Seal and Bearing Kit Rear		SDK311-J	Bearing Assembly	N4903	
<b>1975-1967 Dana 44 Axle:</b>			<b>1990-1987 4 Cyl. Eng. w/Hyd. Clutch:</b>		
Standard Seal and Bearing Kit Rear		SDK339-B	Bearing Assembly	N4901	
<b>Front Axle</b>			<b>1990-1987 6 Cyl. Eng. w/Aisan Trans.:</b>		
<b>1995-1974 4 W/D:</b>			Bearing Assembly	N4903	
Bearing	[2] BR72		<b>1990-1987 6 Cyl. Eng. w/Peugeot Trans.:</b>		
(Set Components)	LM501349/LM501314		Bearing Assembly	N4902	
<b>1973-1953 Spicer 25 Axle:</b>			<b>1986-1983 4 Cyl. (AMC) Eng.:</b>		
Bearing	[2] BR24780/BR24721		Bearing Assembly	N3060	
			(Continued)		

# Passenger cars, light & medium trucks

## (Cont.) -- Jeep CJ, Commando, DJ, Jeepsters VJ, Renegade, Scrambler, Wrangler

MFG./YEAR	MODEL & LOCATION	PART NO.	MFG./YEAR	MODEL & LOCATION	PART NO.
<b>Clutch (Cont.)</b>			<b>Transfer Case (Cont.)</b>		
<b>Release (Cont.)</b>			<b>Front Output Shaft (Cont.)</b>		
1986-1980	6 & 8 Cyl. Eng.s:		1985-1981	New Process 229:	
	Bearing Assembly	N1444		Seal	18662
	(Self-Aligning)	N1444-SA		(Speedi-Sleeve)	99187
1983-1981	4 Cyl. (GM) Eng.:			Bearing (Inner)	B2416
	Bearing Assembly	N2002		Bearing (Outer)	B2816
1980	4 Cyl. Eng.:		1979-1962	All:	
	Bearing Assembly	N2002		Seal	15450
1979-1976	All:			(Speedi-Sleeve)	99156
	Bearing Assembly	N1444	1961-1946	All:	
	(Self-Aligning)	N1444-SA		Seal	15450
1975-1974	All:			(Speedi-Sleeve)	99156
	Bearing Assembly	N1701	<b>Idle Shaft</b>		
1973-1972	6 & 8 Cyl. Eng.s:		1966-1953	CJ3B Thru Ser. 12506:	
	Bearing Assembly	N1701		Bearing	[2] J36-1644
1973-1962	4 Cyl. Eng.:		<b>Input Shaft</b>		
	Bearing Only	N1054	1995-1991	New Process 231:	
	Bearing Assembly	N1341		Seal	19255
1971-1962	6 Cyl. Eng. Diaphragm Type:			(Speedi-Sleeve)	99193
	Bearing Assembly	N1741-SA		Bearing	6010-NRJ
1971-1962	6 Cyl. Eng. Finger Type:		1990	New Process 231 w/Transfer Case No. 53006207 & 53008212:	
	Bearing Only	N1181		Seal	19255
	Bearing Assembly	N2001		(Speedi-Sleeve)	99193
	(Superseded by:)	N1181		Bearing	5210-ANRX
1961-1946	All:		1990-1987	New Process 207:	
	Bearing Only	N1054		Seal	19255
	Bearing Assembly	N1341		(Speedi-Sleeve)	99193
<b>Transfer Case Kit</b>			1990-1987	NP231 w/o Transfer Case No. 53006207 & 53008212:	
1990-1987	231 w/ BD50-8 I/S Brg:	STCK231		Seal	19255
	Transfer Case Kit	STCK231		(Speedi-Sleeve)	99193
1990-1987	242 w/ BD50-8 I/S Brg:	STCK242		Bearing	5210-ANRX
	Transfer Case Kit	STCK242	1986	New Process 228:	
1988	231:	STCK231		Seal	19255
	Transfer Case Kit	STCK231		(Speedi-Sleeve)	99193
1988	242:	STCK242		Bearing	[2] B5020
	Transfer Case Kit	STCK242	1986-1981	New Process 300:	
1986-1980	Dana 300:	STCK300		Seal	19255
	Transfer Case Kit	STCK300		(Speedi-Sleeve)	99193
				Bearing	6209-J
<b>Front Output Shaft</b>			1985-1981	New Process 229:	
1995-1991	New Process 231:			Seal	19255
	Seal	15560		(Speedi-Sleeve)	99193
	Bearing	6206-J		Bearing	[2] B5020
1990	New Process 231 w/Transfer Case No. 53006207 & 53008212:		1979-1974	All:	
	Seal	15560		Seal	13571
1990-1987	New Process 207:			(Speedi-Sleeve)	99138
	Seal	15440	1973-1946	Exc. C101:	
	(Speedi-Sleeve)	99155		Bearing	6206-J
1986	New Process 228:		<b>Mainshaft Pilot</b>		
	Seal	18662	1995-1994	New Process 231:	
	(Speedi-Sleeve)	99187		Bearing (Front)	[2] B5020
	Bearing (Inner)	B2416		Bearing (Rear)	6206-J
	Bearing (Outer)	B2816	1990	New Process 231 w/Transfer Case No. 53006207 & 53008212:	
1986-1980	New Process 300:			Bearing	BH1810
	Seal	15635	1986-1981	New Process 228 & 229:	
	(Speedi-Sleeve)	99156		Bearing	B2012
	Bearing	M86649/M86610			(Continued)

Jeep CJ, Commando, DJ, Jeepsters VJ, Renegade, Scrambler, Wrangler --  
(Cont.)

MFG./YEAR	MODEL & LOCATION	PART NO.	MFG./YEAR	MODEL & LOCATION	PART NO.
<b>Transfer Case (Cont.)</b>			<b>Transmission-Automatic (Cont.)</b>		
<b>Oil Pump</b>			<b>Front Pump</b>		
1995-1987	New Process 231:		1995-1991	Wrangler:	
	Seal .....	22306		Seal .....	14939
	(Speedi-Sleeve) .....	99225		(Speedi-Sleeve) .....	99149
	Bearing .....	6206-J	1990-1987	All:	
<b>Rear Output Shaft</b>				Seal .....	15022
1995-1994	New Process 231:			(Speedi-Sleeve) .....	99149
	Seal .....	14978	1986-1974	727 Trans.:	
	(Speedi-Sleeve) .....	99149		Seal .....	18508
1993-1991	New Process 231:		1986-1974	904 & 999 Trans.:	
	Seal .....	15047		Seal .....	15022
	(Speedi-Sleeve) .....	99149		(Speedi-Sleeve) .....	99149
1990	New Process 231 w/Transfer Case No. 53006207 & 53008212:		1973-1962	All:	
	Seal .....	15047		Seal .....	18692
	(Speedi-Sleeve) .....	99149		(Speedi-Sleeve) .....	99187
1990-1987	New Process 207:			(Speedi-Sleeve/Seal Kit) .....	480187
	Seal .....	15047	<b>Rear</b>		
	(Speedi-Sleeve) .....	99149	1992-1983	All:	
1990-1987	NP231 w/o Transfer Case No. 53006207 & 53008212:			Seal .....	19211
	Seal .....	15047		(Speedi-Sleeve) .....	99193
	(Speedi-Sleeve) .....	99149	1982-1981	904 Trans.:	
1989-1987	87A-K:			Seal .....	19244
	Seal .....	15047		(Speedi-Sleeve) .....	99193
	(Speedi-Sleeve) .....	99149	1982-1974	727 & 999 Trans.:	
1986	New Process 228:			Seal .....	19244
	Seal .....	18662		(Speedi-Sleeve) .....	99193
	(Speedi-Sleeve) .....	99187	1973-1962	Hydramatic Trans.:	
	Bearing (Outer) .....	6207-J		Seal .....	24287
1986-1980	New Process 300:			(Speedi-Sleeve) .....	99243
	Seal .....	15635		Bearing .....	6308-NRJ
	(Speedi-Sleeve) .....	99156	<b>Rear Extension</b>		
	Bearing (Inner) .....	BR25880/BR25821	1995-1994	Wrangler w/30RH Trans.:	
	Bearing (Outer) .....	BR15117/BR15245		Seal .....	15546
1985-1981	New Process 229:			(Speedi-Sleeve) .....	99156
	Seal .....	18662	<b>Shift Shaft</b>		
	(Speedi-Sleeve) .....	99187	1995-1974	All:	
	Bearing (Outer) .....	6207-J		Seal .....	8017
1979-1946	All:		1973-1962	All:	
	Seal .....	15450		Seal .....	7556
	(Speedi-Sleeve) .....	99156		(Speedi-Sleeve) .....	99076
<b>Shift Shaft</b>			<b>Transmission</b>		
1986-1980	New Process 300:		<b>Kit</b>		
	Seal .....	6203	1979-1970	4WD, T-18 Trans Mfr Code, 4 Speed:	
	(Superseded by:) .....	6903		Light Duty Kit .....	STK82-F
	(Speedi-Sleeve) .....	99062	1974-1970	RWD, T-18 Trans Mfr Code, 4 Speed:	
1979-1962	w/o Quad-Trac:			Light Duty Kit .....	STK82-F
	Seal .....	6229	<b>Transmission-Manual</b>		
	(Speedi-Sleeve) .....	99062	<b>Adapter Housing</b>		
<b>Transmission-Automatic</b>			1995-1994	4 Cyl. Eng. w/Aisin AX5 Trans.:	
<b>Adapter Housing</b>				Seal .....	19601
1995-1994	Wrangler w/30RH, 31RH & 32RH Trans.:			(Speedi-Sleeve) .....	99196
	Seal .....	19211	1995-1994	6 Cyl. Eng. w/Aisin AX15 Trans.:	
	(Speedi-Sleeve) .....	99193		Seal .....	19601
				(Speedi-Sleeve) .....	99196
			<b>Countershaft</b>		
			1979-1962	T18 & T98A Trans.:	
				Bearing .....	C436-Q
			(Continued)		

# Passenger cars, light & medium trucks

## (Cont.) -- Jeep CJ, Commando, DJ, Jeepsters VJ, Renegade, Scrambler, Wrangler

MFG./YEAR	MODEL & LOCATION	PART NO.	MFG./YEAR	MODEL & LOCATION	PART NO.
<b>Transmission-Manual (Cont.)</b>			<b>Transmission-Manual (Cont.)</b>		
<b>Countershaft (Cont.)</b>			<b>Mainshaft Pilot (Cont.)</b>		
1975-1953	T14A & T90 Trans.:		1965-1948	3 Spd. Trans. w/o 4 W/D:	
	Bearing .....	[88] C407-Q		Bearing .....	[13] C1110-Q
1973-1962	T86AA & CC Trans.:		<b>Rear</b>		
	Bearing .....	[44] C407-Q	1993-1988	4 Cyl. Eng. w/Trans. No. 53006168 Thru 53006176:	
1973-1948	T96 Trans. w/o 4 W/D:			Seal .....	19601
	Bearing .....	C407-Q		(Speedi-Sleeve) .....	99196
<b>Front</b>				Bearing .....	6307-VSP75
1995-1994	4 Cyl. Eng. w/AX5 Trans.:		1991-1987	4 Cyl. Eng. w/o Trans. No. 53006168 Thru 53006176:	
	Seal .....	11592		Seal .....	19601
	(Speedi-Sleeve) .....	99114		(Speedi-Sleeve) .....	99196
	Bearing .....	63/32VSP80		Bearing .....	6306-VSP1
1995-1994	6 Cyl. Eng. w/Aisin AX15 Trans.:		1986-1982	T4 & T5 Trans.:	
	Seal .....	12747		Seal .....	18580
	(Speedi-Sleeve) .....	99128		(Speedi-Sleeve) .....	99187
1993-1987	4 Cyl. Eng. w/o Trans. No. 53006169 Thru 53006174:			Bearing .....	BR25877/BR25821
	Seal .....	11592	1986-1981	T176, T177 & T178 Trans.:	
	(Speedi-Sleeve) .....	99114		Seal .....	19244
	Bearing .....	63/32VSP80		(Speedi-Sleeve) .....	99193
1990-1987	6 Cyl. Eng.:		1986-1981	T18A Trans.:	
	Seal .....	12756		Seal .....	15773
	(Speedi-Sleeve) .....	99128		(Speedi-Sleeve) .....	99156
1986-1982	T4 & T5 Trans.:		1981	SR4 Trans.:	
	Seal .....	12363		Seal .....	18580
	(Speedi-Sleeve) .....	99125		(Speedi-Sleeve) .....	99187
	Bearing .....	BR5		Bearing .....	BR25877/BR25821
	(Set Components) .....	LM48548/LM48510	1979-1974	T176 & T178 Trans.:	
1986-1981	T18A Trans.:			Seal .....	21210
	Seal .....	12363		(Speedi-Sleeve) .....	99212
	(Speedi-Sleeve) .....	99125		Bearing .....	6308-NRJ
1986-1974	T176, T177 & T178 Trans.:		1978-1976	T14A & T15A Trans.:	
	Seal .....	11123		Seal .....	21210
	(Speedi-Sleeve) .....	99112		(Speedi-Sleeve) .....	99212
1980-1974	SR4 & T18A Trans.:		1975-1974	T14A & T15A Trans. w/6 Cyl. Eng.:	
	Seal .....	11123		Seal .....	21210
	(Speedi-Sleeve) .....	99112		(Speedi-Sleeve) .....	99212
1979-1962	T14A & T15A Trans.:			Bearing .....	207-VSP35
	Seal .....	12363	1975-1974	T14A & T15A Trans. w/8 Cyl. Eng.:	
	(Speedi-Sleeve) .....	99125		Seal .....	21210
1973-1962	4 Cyl. Gas Eng.:			(Speedi-Sleeve) .....	99212
	Seal (Felt) .....	671	1973-1962	4 Cyl. Eng. w/3 Spd. Trans.:	
	Bearing .....	6208-NRJ		Seal .....	15620
1973-1962	6 Cyl. Gas Eng.:			(Speedi-Sleeve) .....	99156
	Seal .....	11123		Bearing .....	6207-NRJ
	(Speedi-Sleeve) .....	99112	1973-1962	6 Cyl. Eng. w/3 Spd. Trans.:	
	Bearing .....	6208-ZNJ		Seal .....	16871
1961-1948	w/o 4 W/D:			(Speedi-Sleeve) .....	99168
	Bearing .....	6207-NRJ	1961-1953	T90 Trans.:	
<b>Mainshaft Pilot</b>				Seal .....	15620
1990-1988	6 Cyl. Eng. From Ser. 22172:			(Speedi-Sleeve) .....	99156
	Bearing .....	BR32004		Bearing .....	6307-J
1979-1974	4 Spd. Trans.:		<b>Rear Extension</b>		
	Bearing .....	[22] C436-Q	1995-1994	6 Cyl. Eng. w/Aisin AX15 Trans.:	
1973-1962	T18 Trans.:			Seal .....	14732
	Bearing .....	[22] C436-Q		(Speedi-Sleeve) .....	99147
1972-1966	T96 Trans.:		1995-1994	4 Cyl. Eng. w/Aisin AX5 Trans.:	
	Bearing .....	[13] C1110-Q		Seal .....	14732
1972-1953	T90 Trans.:			(Speedi-Sleeve) .....	99147
	Bearing .....	[14] W1518-Q			(Continued)

Jeep CJ, Commando, DJ, Jeepsters VJ, Renegade, Scrambler, Wrangler --  
(Cont.)

MFG./YEAR	MODEL & LOCATION	PART NO.	MFG./YEAR	MODEL & LOCATION	PART NO.
<b>Transmission-Manual (Cont.)</b>			<b>Engine (Cont.)</b>		
<b>Reverse Idler</b>			<b>Crankshaft-Rear (Cont.)</b>		
1979-1962	T18 & T98A Trans.:		1986-1983	4 Cyl. (AMC) Eng.:	
	Bearing .....	[74] B1316-Q		Seal .....	29870
				(Speedi-Sleeve) .....	99300
<b>Second Speed Gear</b>			1983-1980	4 Cyl. (GM) Eng.:	
1971-1962	T98A Trans.:			Seal .....	29868
	Bearing .....	[34] Q6086		(Speedi-Sleeve) .....	99300
<b>Shift Shaft</b>			1971-1962	225 Eng.:	
1981	SR4 Trans.:			Seal Kit .....	191
	Seal .....	5510	<b>Timing Cover</b>		
	(Speedi-Sleeve) .....	99056	1995-1987	All:	
1971-1946	3 Spd. Trans.:			Seal .....	17806
	Seal .....	6130		(Speedi-Sleeve) .....	99179
	(Speedi-Sleeve) .....	99062	1986-1983	4 Cyl. (AMC) Eng.:	
<b>Alternator</b>				Seal .....	17806
1990-1987	All:			(Speedi-Sleeve) .....	99176
	Bearing (Front) .....	6203-RSJ	1986-1962	232 & 258 Engs.:	
	Bearing (Rear) .....	MNJ471-S		Seal .....	17806
1986-1983	42 & 63 Amp. Type I:			(Speedi-Sleeve) .....	99179
	Bearing (Front) .....	6203-J	1983-1982	4 Cyl. (GM) Eng.:	
	Bearing (Rear) .....	MNJ471-S		Seal .....	17286
1986-1983	42 & 63 Amp. Type II:			(Speedi-Sleeve) .....	99176
	Bearing (Front) .....	6203-RSJ		(Speedi-Sleeve/Seal Kit) .....	480177
	Bearing (Rear) .....	MNJ471-S	1981-1980	4 Cyl. Eng.:	
1986-1983	56, 66 & 78 Amp.:			Seal .....	17280
	Bearing (Front) .....	6203-RSJ		(Spe edi-Sleeve ) .....	99174
	Bearing (Rear) .....	MNJ471-S	1981-1972	8 Cyl. Eng.:	
1982-1981	63 Amp.:			Seal .....	19799
	Bearing (Front) .....	6203-J		(Speedi-Sleeve) .....	99199
	Bearing (Rear) .....	MNJ471-S	1971-1962	4 Cyl. Eng.:	
1980-1975	Delco Remy:			Seal .....	17284
	Bearing (Front) .....	6203-J		(Speedi-Sleeve) .....	99174
	Bearing (Rear) .....	MNJ471-S	1971-1946	6 Cyl. Eng.:	
1977-1976	Motorcraft:			Seal Kit .....	191
	Bearing (Front) .....	6203-2RSJ	<b>Generator</b>		
	Bearing (Rear) .....	MNJ471-S	1964-1953	H.D.:	
1974	Motorola:			Bearing (Front) .....	6204-J
	Bearing (Front) .....	6200-J		Bearing (Rear) .....	6303-2ZJ
	Bearing (Rear) .....	6203-RSZJ	1964-1946	w/o H.D.:	
1973-1972	37 Amp.:			Bearing (Front) .....	6203-J
	Bearing (Front) .....	6200-J	<b>Steering-Power</b>		
	Bearing (Rear) .....	6203-RSZJ	<b>Pitman Shaft</b>		
1973-1972	55 Amp.:		1988-1974	All:	
	Bearing (Front) .....	6200-2RSJ		Seal (Inner) .....	12371
	Bearing (Rear) .....	6203-2ZJ		Seal (Outer) .....	12355
1971-1965	4 Cyl. Eng. w/40 Amp.:			Seal Kit .....	12392
	Bearing (Front) .....	6203-2ZJ	<b>Pump Shaft</b>		
1971-1965	4 Cyl. Eng. w/60 Amp.:		1989-1952	L.H. Drive:	
	Bearing .....	[2] 6203-2ZJ		Seal .....	7475
1971-1965	6 Cyl. Eng.:		<b>Worm Shaft</b>		
	Bearing (Front) .....	6203-2ZJ	1988-1971	All:	
	Bearing (Rear) .....	6200-2RSJ		Seal .....	8660
<b>Engine</b>			<b>Steering-Standard</b>		
<b>Crankshaft-Rear</b>			<b>Pitman Shaft</b>		
1995-1987	4 Cyl. Eng.:		1990-1974	L.H. Drive:	
	Seal .....	29526		Seal .....	11055
	(Speedi-Sleeve) .....	99294			(Continued)
1995-1972	6 Cyl. Eng.:				
	Seal Kit .....	◇208			
	(Superseded by:)	808			

**Passenger cars, light & medium trucks**

**(Cont.) -- Jeep CJ, Commando, DJ, Jeepsters VJ, Renegade, Scrambler, Wrangler**

MFG./YEAR	MODEL & LOCATION	PART NO.	MFG./YEAR	MODEL & LOCATION	PART NO.
<b>Steering-Standard (Cont.)</b>			<b>Steering-Standard (Cont.)</b>		
<b>Pitman Shaft (Cont.)</b>			<b>Worm Shaft</b>		
1971-1962	All:		1990-1962	L.H. Drive:	
	Seal (1.316" O.D.)	8645		Seal	7481
	Seal (1.379" O.D.)	9243			
1961-1953	DJ-3A:				
	Seal	8637			
1952-1946	All:				
	Seal	8637			

**Jeep Cherokee, Chief, Comanche, Grand Cherokee, Laredo, Pioneer, Sedan Delivery, Station Wagon, Wagoneer**

**Wheel Front (2 W/D)**

1995-1994	All:	
	Hub Assembly	BR930014
1993-1988	All:	
	Seal	19013
	Bearing (Inner)	BR6
	(Set Components)	LM67048/LM67010
	Bearing (Outer)	BR2
	(Set Components)	LM11949/LM11910
1987-1986	Type II (1 Piece Hub & Rotor):	
	Seal	19013
	Bearing (Inner)	BR6
	(Set Components)	LM67048/LM67010
	Bearing (Outer)	BR2
	(Set Components)	LM11949/LM11910
1982-1978	All:	
	Seal	24898
	Bearing (Inner)	LM104949/JLM104910
	Bearing (Outer)	BR35
	(Set Components)	LM501349/LM501310
1967-1962	All:	
	Seal	21159
	Bearing (Inner)	BR37
	(Set Components)	LM603049/LM603011
	Bearing (Outer)	BR35
	(Set Components)	LM501349/LM501310
1956-1952	685:	
	Seal	16384
	Bearing (Inner)	BR15118/15250-X
	Bearing (Outer)	BR09074/BR09194

**Wheel Front (4 W/D)**

1995-1990	All:	
	Hub Assembly	BR930014
1989-1984	All:	
	Seal (Inner)	28646
	Seal (Center)	24110
	Seal (Outer)	24886
	Bearing Only	[2] JLM603048F/JLM603013Z
	Hub Assembly	BR930040
1983-1977	All:	
	Seal	24898
	Bearing (Inner)	LM104949/JLM104910
	Bearing (Outer)	BR35
	(Set Components)	LM501349/LM501310

**Wheel Front (4 W/D) (Cont.)**

1976-1974	Disc Brks.:	
	Seal	24898
	Bearing (Inner)	BR37
	(Set Components)	LM603049/LM603011
	Bearing (Outer)	BR35
	(Set Components)	LM501349/LM501310
1976-1974	Drum Brks.:	
	Seal	24904
	Bearing (Inner)	BR37
	(Set Components)	LM603049/LM603011
	Bearing (Outer)	BR35
	(Set Components)	LM501349/LM501310
1973-1962	All:	
	Seal	21159
	Bearing (Inner)	BR37
	(Set Components)	LM603049/LM603011
	Bearing (Outer)	BR35
	(Set Components)	LM501349/LM501310

**Axle Shaft**

1995-1984	w/o Disconnect Axle:	
	Seal	11899
1992-1984	Disconnect Axle:	
	Seal (L.H.)	11899
	Seal (R.H. 2.131" O.D.)	15843
	Seal (R.H. 2.286" O.D.)	16083
1983-1974	All:	
	Seal (L.H.)	13246
	Seal (R.H. 1.313" I.D.)	13165
	Seal (R.H. 1.625" I.D.)	16083
1973-1962	Model 27 Axle:	
	Seal	11771
1973-1962	Model 30 Axle:	
	Seal	12458

**Spindle Hub**

1985-1974	All:	
	Seal (Inner)	22311
	Seal (Outer)	711818
	Bearing Assembly	B2110
	Seal & Bearing Kit	BK1

**Steering Knuckle**

1973-1962	Solid Suspension:	
	Seal	41555

(Continued)

**Jeep Cherokee, Chief, Comanche, Grand Cherokee, Laredo, Pioneer, Sedan Delivery, Station Wagon, Wagoneer -- (Cont.)**

MFG./YEAR	MODEL & LOCATION	PART NO.	MFG./YEAR	MODEL & LOCATION	PART NO.
<b>Wheel Front (4 W/D) (Cont.)</b>			<b>Pinion (Cont.)</b>		
<b>Steering Knuckle (Cont.)</b>			<b>Front Axle (Cont.)</b>		
1973-1949	Independent Suspension:		1983-1974	4 W/D:	
	Seal .....	41555		Seal .....	15788
	Bearing .....	BR11590/BR11520		(Speedi-Sleeve) .....	99155
<b>Wheel Rear</b>				Bearing (Front) .....	BR31594/BR31520
1995-1991	Cherokee w/Chrysler 8.25" Axle:			Bearing (Rear) .....	BR02872/BR02820
	Seal .....	16044	1973-1962	4 W/D:	
	(Superseded by) .....	16404		Seal .....	15788
	Bearing .....	R1559-TV		(Speedi-Sleeve) .....	99155
	(Axle Repair Brg. Assy.) .....	R1559		Bearing (Front) .....	HM88649/HM88610
1995-1991	Spicer 35 Axle:			Bearing (Rear) .....	BR02872/BR02820
	Seal .....	13992	1961-1949	4 W/D:	
	Bearing .....	R1563-TAV		Seal .....	15788
1995	Spicer 44 Axle:			(Speedi-Sleeve) .....	99155
	Seal .....	13992		Bearing (Front) .....	BR31594/BR31520
	Bearing .....	BR10		Bearing (Rear) .....	BR02872/BR02820
1994-1988	Spicer 44 Axle:		<b>Rear Axle</b>		
	Seal .....	18731	1995-1994	Spicer 35 Axle:	
	Bearing .....	BR10		Seal .....	18472
1990-1988	Spicer 35 Axle:			Bearing (Front) .....	M86649/M86610
	Seal (Inner) .....	13671		Bearing (Rear) .....	BR90
	Seal (Outer) .....	16747		(Set Components) .....	HM88648/HM88610
	Bearing .....	BR9	1995-1994	Spicer 44 Axle:	
1987-1986	AMC Large Axle:			Seal .....	18896
	Seal (Inner) .....	15142		(Speedi-Sleeve) .....	99187
	Seal (Outer) .....	18731		Bearing (Front) .....	M802048/M802011
	Bearing .....	BR10		Bearing (Rear) .....	BR52
1987-1986	AMC 35 & Spicer 35 Axles:			(Set Components) .....	M88048/M88010
	Seal (1.312" Shaft) .....	13112	1995-1991	Chrysler w/8.25" Axle:	
	Seal (1.375" Shaft) .....	13671		Seal .....	16805
	Seal (Outer) .....	16747		(Speedi-Sleeve) .....	99168
	Bearing .....	BR9		Bearing (Front) .....	M86649/M86610
1985-1984	AMC 35 & Spicer 35 Axles:			Bearing (Rear) .....	M802048/M802011
	Seal (Inner) .....	13112	1993-1986	AMC 35 & Spicer 35 Axles:	
	Seal (Outer) .....	16747		Seal .....	18472
	Bearing .....	BR9		Bearing (Front) .....	M86649/M86610
1983-1974	All:			Bearing (Rear) .....	BR90
	Seal (Inner) .....	15142		(Set Components) .....	HM88648/HM88610
	Seal (Outer) .....	18731	1993-1986	Spicer 44 Axle:	
	Bearing .....	BR10		Seal .....	15788
1973-1962	Flg. Axle:			(Speedi-Sleeve) .....	99155
	Seal (Inner) .....	15142		Bearing (Front) .....	BR02872/BR02820
	Seal (Outer) .....	18731		Bearing (Rear) .....	BR31594/BR31520
	Bearing .....	BR10	1987-1986	AMC Large Axle:	
1973-1962	Tapered Axle:			Seal .....	18472
	Seal (Inner) .....	13862		Bearing (Front) .....	BR52
	Seal (Outer) .....	20168		(Set Components) .....	M88048/M88010
	Bearing .....	BR25877/BR25821		Bearing (Rear) .....	M802048/M802011
<b>Pinion</b>			1985-1984	All:	
<b>Front Axle</b>				Seal .....	18472
1995-1984	4 W/D:			Bearing (Front) .....	M86649/M86610
	Seal .....	15788		Bearing (Rear) .....	BR90
	(Speedi-Sleeve) .....	99155		(Set Components) .....	HM88648/HM88610
	Bearing (Front) .....	HM88649/HM88610	1983-1980	All:	
	Bearing (Rear) .....	BR02872/BR02820		Seal .....	18472
				Bearing (Front) .....	BR52
				(Set Components) .....	M88048/M88010
				Bearing (Rear) .....	M802048/M802011

(Continued)



# Passenger cars, light & medium trucks

## (Cont.) -- Jeep Cherokee, Chief, Comanche, Grand Cherokee, Laredo, Pioneer, Sedan Delivery, Station Wagon, Wagoneer

MFG./YEAR	MODEL & LOCATION	PART NO.	MFG./YEAR	MODEL & LOCATION	PART NO.
<b>Pinion (Cont.)</b>			<b>Differential (Cont.)</b>		
<b>Rear Axle (Cont.)</b>			<b>Rear Axle (Cont.)</b>		
1979-1946	Spicer 44 Axle:		1987-1986	AMC Large Axle:	
	Seal .....	15788		Bearing .....	[2] BR36
	(Speedi-Sleeve) .....	99155		(Set Components) .....	LM603049/LM603012
	Bearing (Front) .....	BR02872/BR02820	1985-1979	Spicer 44 w/Locking Axle:	
	Bearing (Rear) .....	BR31594/BR31520		Bearing .....	[2] BR36
1973-1971	Spicer 70 Axle:			(Set Components) .....	LM603049/LM603012
	Seal .....	18888	1978-1971	Spicer 44 Std. Axle:	
	(Speedi-Sleeve) .....	99187		Bearing .....	[2] BR25590/BR25523
	Bearing (Front) .....	HM88542/HM88510	1973-1971	Spicer 70 Axle:	
	Bearing (Rear) .....	HM807040/HM807010		Bearing .....	[2] 387-A/382-S
<b>Differential</b>			1973-1949	w/o Flg. Axle & 685:	
<b>Kit</b>				Bearing .....	[2] BR25577/BR25523
1995-1984	Dana 30 Axle:		1956-1952	685:	
	Standard Seal and Bearing Kit Front .....	SDK334		Bearing .....	[2] BR24780/BR24721
1995-1984	Dana 35 Axle:		<b>Clutch</b>		
	Standard Seal and Bearing Kit Rear .....	SDK335	<b>Pilot</b>		
1995-1991	8.25" Ring Gear:		1995-1984	4 Cyl. Eng. w/Man. Trans.:	
	Standard Seal and Bearing Kit Rear .....	SDK303		Bearing .....	FC65446
	Master Seal and Bearing Kit Rear .....	SDK303-MK	1995-1992	6 Cyl. Eng.:	
1992-1972	Dana 44 Axle:			Bearing .....	B128
	Standard Seal and Bearing Kit Rear .....	SDK339-B	1993-1988	4 Cyl. Eng. w/Auto. Trans.:	
	Standard Seal and Bearing Kit Front .....	SDK339-B		Bearing (Bushing) .....	B656
1985-1980	AMC 20 Axle:			(Heavy Duty) .....	B657
	Standard Seal and Bearing Kit Rear .....	SDK311-J	1991-1987	6 Cyl. Eng.:	
1973-1971	Dana 30 Axle:			Bearing .....	B041
	Standard Seal and Bearing Kit Front .....	SDK334	1987-1985	Diesel Eng.:	
<b>Front Axle</b>				Bearing .....	6203-J
1995-1984	4 W/D:		1986-1984	V6 Eng.:	
	Bearing .....	[2] BR72		Bearing .....	B652
	(Set Components) .....	LM501349/LM501314	<b>Release</b>		
1985-1974	Spicer 44 Axle:		1995-1994	w/o Diesel Eng.:	
	Bearing .....	[2] BR25590/BR25523		Bearing Assembly .....	N4093
1973-1963	Spicer 27 Axle:		1993	4.0L Eng. w/Hyd. Clutch:	
	Bearing .....	[2] LM501349/LM501311		Bearing Assembly .....	N4904
1973-1963	Spicer 30 Axle:		1993-1991	2.5L Eng. w/Hyd. Clutch:	
	Bearing .....	[2] BR72		Bearing Assembly .....	N4901
	(Set Components) .....	LM501349/LM501314	1992-1991	4.0L Eng. w/Hyd. Clutch:	
1973-1962	Wagoneer w/o Axles 998560 Thru 998571, 5351149, 51 & 54:			Bearing Assembly .....	N4903
	Bearing .....	[2] BR25577/BR25523	1990-1988	6 Cyl. Eng. w/Aisin Trans.:	
1973-1962	Wagoneer w/Axles 998560 Thru 998571, 5351149, 51 & 54:			Bearing Assembly .....	N4903
	Bearing .....	[2] BR25590/BR25523	1990-1987	4 Cyl. Gas Eng.:	
1961-1949	Exc. 164:			Bearing Assembly .....	N4901
	Bearing .....	[2] BR24780/BR24721	1990-1987	6 Cyl. Eng. w/o Aisin Trans.:	
<b>Rear Axle</b>				Bearing Assembly .....	N4902
1995-1991	Chrysler w/8.25" Axle:		1987-1985	Diesel Eng.:	
	Bearing .....	[2] BR36		Bearing Assembly .....	N4126
	(Set Components) .....	LM603049/LM603012	1986-1984	V6 Gas Eng.:	
1995-1994	Spicer 44 Axle:			Bearing Assembly .....	N4052
	Bearing .....	[2] BR36	1986-1984	4 Cyl. (AMC) Eng.:	
	(Set Components) .....	LM603049/LM603012		Bearing Assembly .....	N3060
1995-1984	Spicer 35 Axle:		1980	w/o 4 Cyl. Eng.:	
	Bearing .....	[2] BR72		Bearing Assembly .....	N1444
	(Set Components) .....	LM501349/LM501314		(Self-Aligning) .....	N1444-SA
1993-1986	Spicer 44 Axle:		1979-1978	All:	
	Bearing .....	[2] BR25590/BR25523		Bearing Only .....	N1054
				Bearing Assembly .....	N1491

(Continued)

**Jeep Cherokee, Chief, Comanche, Grand Cherokee, Laredo, Pioneer, Sedan Delivery, Station Wagon, Wagoneer -- (Cont.)**

MFG./YEAR	MODEL & LOCATION	PART NO.	MFG./YEAR	MODEL & LOCATION	PART NO.
<b>Clutch (Cont.)</b>			<b>Transfer Case (Cont.)</b>		
<b>Release (Cont.)</b>			<b>Front Output Shaft (Cont.)</b>		
1977-1974	8 Cyl. Eng.:		1990-1986	New Process 242:	
	Bearing Only .....	N1054		Seal .....	18771
	Bearing Assembly .....	N1491		(Speedi-Sleeve) .....	99187
1977-1965	6 Cyl. Eng.:			Bearing (Outer) .....	6207-J
	Bearing Assembly .....	N1701	1987-1984	New Process 228 & 229:	
1973-1970	304 & 360 Engs.:			Seal .....	18771
	Bearing Only .....	N1054		(Speedi-Sleeve) .....	99187
	Bearing Assembly .....	N1491		Bearing (Inner) .....	B2416
1970-1968	350 Eng.:			Bearing (Outer) .....	B2816
	Bearing Only .....	N1054	1985-1984	New Process 207:	
1970-1965	327 Eng.:			Seal .....	15440
	Bearing Only .....	N1136		(Speedi-Sleeve) .....	99155
1964-1962	230 Eng.:		1983-1980	All:	
	Bearing Only .....	N1104		Seal .....	18662
1961-1952	J162 & 6-226:			(Speedi-Sleeve) .....	99187
	Bearing Only .....	N1104		Bearing (Front) .....	B2816
1961-1946	Exc. J162 & 6-226:			Bearing (Rear) .....	B2416
	Bearing Only .....	N1054	1979-1974	All:	
	Bearing Assembly .....	N1341		Seal .....	15450
				(Speedi-Sleeve) .....	99156
<b>Transfer Case</b>				Bearing .....	BR14116/BR14276
<b>Kit</b>			1973-1965	All:	
1995-1994	242 w/ 6010N I/S Brg:			Seal .....	15450
	Transfer Case Kit .....	STCK242-BB		(Speedi-Sleeve) .....	99156
1995-1994	231 w/ 6010N I/S Brg:			Bearing (1.187" Shaft) .....	BR14116/BR14276
	Transfer Case Kit .....	STCK231-FF		Bearing (1.312" Shaft) .....	BR14131/BR14276
1994-1987	231 w/ BD50-8 I/S Brg:		1964-1949	Exc. J164:	
	Transfer Case Kit .....	STCK231		Seal .....	15450
1993-1987	242 w/ BD50-8 I/S Brg:			(Speedi-Sleeve) .....	99156
	Transfer Case Kit .....	STCK242		Bearing .....	BR14131/BR14276
1992-1987	231:		<b>Idler Shaft</b>		
	Transfer Case Kit .....	STCK231	1965-1962	475 w/4 W/D:	
1992-1987	242:			Bearing .....	[2] J36-1644
	Transfer Case Kit .....	STCK242	<b>Input Shaft</b>		
1986-1984	207:		1995-1993	Grand Cherokee w/New Process 242:	
	Transfer Case Kit .....	STCK207		Seal .....	19255
<b>Front Output Shaft</b>				(Speedi-Sleeve) .....	99193
1995-1993	Grand Cherokee w/New Process 242 & 249:			Bearing .....	5210-ANRX
	Seal .....	18771	1995-1991	New Process 231:	
	(Speedi-Sleeve) .....	99187		Seal .....	19255
	Bearing .....	6207-J		(Spe edi-Sleeve) .....	99193
1995-1991	New Process 231:			Bearing .....	5210-ANRX
	Seal .....	15560	1992-1991	New Process 242 Exc. Grand Cherokee:	
	Bearing .....	6206-J		Seal .....	19255
1992-1991	New Process 242 Exc. Grand Cherokee:			(Speedi-Sleeve) .....	99193
	Seal .....	18771	1990	New Process 231 w/Transfer Case No. 53008207 Thru 53008212:	
	(Speedi-Sleeve) .....	99187		Seal .....	19255
	Bearing .....	6207-J		(Speedi-Sleeve) .....	99193
1990	New Process 231 w/Transfer Case No. 53008207 Thru 53008212:			Bearing .....	5210-ANRX
	Seal .....	15560	1990-1986	New Process 207:	
	Bearing .....	6206-J		Seal .....	19255
1990-1988	New Process 207:			(Speedi-Sleeve) .....	99193
	Seal .....	15440		Bearing .....	SCE228
	(Speedi-Sleeve) .....	99155	1990-1986	New Process 242:	
1990-1986	NP231 w/o Transfer Case No. 53008207 Thru 53008212:			Seal .....	19255
	Seal .....	15440		(Speedi-Sleeve) .....	99193
	(Speedi-Sleeve) .....	99155		Bearing .....	5210-ANRX

(Continued)

For explanation of symbols • ⊕ + ■ ⊕ ▲ [ ] within (text), see page 1A.  
 Para una explicación de los símbolos • ⊕ + ■ ⊕ ▲ [ ] en el (texto), vea página 1B.  
 Pour une explication des symboles • ⊕ + ■ ⊕ ▲ [ ] dans (texte), voir page 1C.



**Passenger cars, light & medium trucks**

**(Cont.) -- Jeep Cherokee, Chief, Comanche, Grand Cherokee, Laredo, Pioneer, Sedan Delivery, Station Wagon, Wagoneer**

MFG./YEAR	MODEL & LOCATION	PART NO.	MFG./YEAR	MODEL & LOCATION	PART NO.
<b>Transfer Case (Cont.)</b>			<b>Transfer Case (Cont.)</b>		
<b>Input Shaft (Cont.)</b>			<b>Rear Output Shaft (Cont.)</b>		
1990-1986	NP231 w/o Transfer Case No. 53008207 Thru 53008212:		1989-1988	87A-K:	
	Seal .....	19255		Seal .....	15047
	(Speedi-Sleeve) .....	99193		(Speedi-Sleeve) .....	99149
	Bearing .....	5210-ANRX	1987-1984	New Process 228 & 229:	
1987-1984	New Process 228 & 229:			Seal (Inner) .....	22306
	Seal .....	19255		(Speedi-Sleeve) (Inner) .....	99225
	(Speedi-Sleeve) .....	99193		Seal (Outer) .....	18662
	Bearing .....	[2] B5020		(Speedi-Sleeve) (Outer) .....	99187
1985-1984	New Process 207:			Bearing (Outer) .....	6207-J
	Seal .....	19255	1985	207:	
	(Speedi-Sleeve) .....	99193		Seal .....	15047
	Bearing .....	[2] SCE228		(Speedi-Sleeve) .....	99149
1983-1980	All:		1985-1980	All:	
	Seal .....	19255		Seal .....	18662
	(Speedi-Sleeve) .....	99193		(Speedi-Sleeve) .....	99187
	Bearing .....	[2] B5020		Bearing (Front) .....	B3616
1979-1962	All:			Bearing (Rear) .....	6207-J
	Seal .....	13571	1979-1974	All:	
	(Speedi-Sleeve) .....	99138		Seal .....	15450
1965-1949	Exc. J164:			(Speedi-Sleeve) .....	99156
	Bearing .....	6206-J		Bearing (Front) .....	BR25877/BR25821
				Bearing (Rear) .....	BR15117/BR15245
<b>Mainshaft Pilot</b>			1973-1949	w/o Quad-Trac:	
1995-1994	New Process 231:			Seal .....	15450
	Bearing (Front) .....	[2] B5020		(Speedi-Sleeve) .....	99156
	Bearing (Rear) .....	6206-J		Bearing (Front) .....	BR14131/BR14276
1990	New Process 231 w/Transfer Case No. 53008207 Thru 53008212:			Bearing (Rear) .....	BR25877/BR25821
	Bearing .....	BH1810	<b>Shift Shaft</b>		
1990-1986	New Process 242:		1979-1963	4 W/D w/o Quad-Trac:	
	Bearing .....	FC66561		Seal .....	6229
1987-1984	New Process 228 & 229:			(Speedi-Sleeve) .....	99062
	Bearing .....	B2012	<b>Transmission-Automatic</b>		
1983-1980	New Process 208, 219 & 229:		<b>Adapter Housing</b>		
	Bearing .....	B2012	1995-1994	Cherokee w/AW4 Trans. & 4 W/D:	
<b>Oil Pump</b>				Seal .....	19622
1995	Cherokee:			(Speedi-Sleeve) .....	99196
	Seal .....	22306	1995-1994	Cherokee w/30RH & 46RH Trans.:	
	(Speedi-Sleeve) .....	99225		Seal .....	19211
1988-1986	All:			(Speedi-Sleeve) .....	99193
	Seal .....	22306	<b>Front Pump</b>		
	(Speedi-Sleeve) .....	99225	1995-1994	30RH, 42RE, 42RLE, & 44RE Trans.:	
<b>Rear Output Shaft</b>				Seal .....	14939
1995-1993	Grand Cherokee w/New Process 231, 242 & 249:			(Speedi-Sleeve) .....	99149
	Seal .....	14978	1995-1987	w/o 30RH, 42RE, 44RE, 45RFE & 46RH Trans.:	
	(Speedi-Sleeve) .....	99149		Seal .....	14772
1993-1991	New Process 231 & 242 Exc. Grand Cherokee:			(Speedi-Sleeve) .....	99147
	Seal .....	15047	1986	All:	
	(Speedi-Sleeve) .....	99149		Seal .....	15022
1990	New Process 231 w/Transfer Case No. 53008207 Thru 53008212:			(Speedi-Sleeve) .....	99149
	Seal .....	15047	1985-1980	727 Trans.:	
	(Speedi-Sleeve) .....	99149		Seal .....	18508
	Bearing .....	6206-J		Bearing .....	63/32-N
1990-1986	New Process 207 & 231 Exc. Transfer Case No. 53008207 Thru 53008212; New Process 242:		1985-1974	904 & 999 Trans.:	
	Seal .....	15047		Seal .....	15022
	(Speedi-Sleeve) .....	99149		(Speedi-Sleeve) .....	99149
	Bearing .....	6206-J			(Continued)
1990-1986	New Process 207 & 231 Exc. Transfer Case No. 53008207 Thru 53008212; New Process 242:				
	Seal .....	15047			
	(Speedi-Sleeve) .....	99149			

**Jeep Cherokee, Chief, Comanche, Grand Cherokee, Laredo, Pioneer, Sedan Delivery, Station Wagon, Wagoneer -- (Cont.)**

MFG./YEAR	MODEL & LOCATION	PART NO.	MFG./YEAR	MODEL & LOCATION	PART NO.
<b>Transmission-Automatic (Cont.)</b>			<b>Transmission-Manual (Cont.)</b>		
<b>Front Pump (Cont.)</b>			<b>Countershaft</b>		
1973-1965	Hydramatic Trans.:		1979-1965	T18 & T18A Trans.:	
	Seal .....	18692		Bearing .....	[88] C436-Q
	(Speedi-Sleeve) .....	99187	1975-1965	3 Spd. Trans. 4 W/D w/6 Cyl. Eng.:	
	(Speedi-Sleeve/Seal Kit) .....	480187		Bearing .....	[88] C407-Q
1973-1963	w/o Hydramatic Trans.:		1973-1965	T86AA O/D Trans.:	
	Seal .....	19240		Bearing .....	[88] C407-Q
	(Speedi-Sleeve) .....	99193	1965-1946	w/o 4 W/D:	
<b>Output Shaft</b>				Bearing .....	[40] C407-Q
1995-1994	Cherokee w/46RH Trans.:		1964-1955	J162 & 6-226:	
	Bearing (Front) .....	6014-NRJ		Bearing .....	[44] C407-Q
	Bearing (Rear) .....	■ 6207-VSP55	1964-1949	4 W/D:	
1995-1994	30RH Trans. w/o 4 W/D:			Bearing .....	[88] C407-Q
	Seal .....	15546	<b>Front</b>		
	(Speedi-Sleeve) .....	99156	1995-1984	AX4 & AX5 Trans.:	
1995-1994	42RE & 44RE Trans. w/o 4 W/D:			Seal .....	11592
	Seal .....	16725		(Speedi-Sleeve) .....	99114
	(Use) .....	+16567		Bearing .....	63/32VSP80
1995-1994	42RE & 44RE Trans. w/4 W/D:		1995-1988	AX15 Trans.:	
	Seal .....	19211		Seal .....	12747
	(Speedi-Sleeve) .....	99193		(Speedi-Sleeve) .....	99128
<b>Rear</b>				Bearing .....	6308-VSP92
1995-1987	AW4 Trans. w/o 4 W/D:		1990-1987	BA10/5 Trans.:	
	Seal .....	14730		Seal .....	12756
	(Speedi-Sleeve) .....	99147		(Speedi-Sleeve) .....	99128
1986-1984	2 W/D:		1985-1974	T4, T5 & T18 Trans.:	
	Seal .....	15546		Seal .....	12363
	(Speedi-Sleeve) .....	99156		(Speedi-Sleeve) .....	99125
1985-1984	4 W/D:		1985-1974	SR4, T176, T177 & T178 Trans.:	
	Seal .....	19211		Seal .....	11123
	(Speedi-Sleeve) .....	99193		(Speedi-Sleeve) .....	99112
1983-1974	All:		1973-1965	T14A Trans.:	
	Seal .....	19244		Seal .....	11123
	(Speedi-Sleeve) .....	99193		(Speedi-Sleeve) .....	99112
1973-1962	4 W/D & Quad-Trac Trans.:		1973-1965	T15A, T18 & T18A Trans.:	
	Seal .....	24286		Seal .....	11123
	(Speedi-Sleeve) .....	99243		(Speedi-Sleeve) .....	99112
	Bearing .....	6210-J		Bearing .....	6308-NRJX
1967-1965	2 W/D w/Hydramatic Trans.:		1973-1965	T89, T89D & T89E Trans.:	
	Seal .....	16871		Seal .....	11123
	(Speedi-Sleeve) .....	99168		(Speedi-Sleeve) .....	99112
	Bearing .....	6307-RSJ		Bearing .....	6307-RSJ
<b>Speedometer Drive</b>			1972-1965	T86AA Trans. & Wagoneer:	
1990-1988	AX15 Trans w/6 Cyl. Eng.:			Seal .....	11123
	Seal .....	12747		(Speedi-Sleeve) .....	99112
	(Speedi-Sleeve) .....	99128		Bearing .....	■ 6208-ZNJ
<b>Transmission</b>			1965-1962	All:	
<b>Kit</b>				Seal .....	11123
1979-1971	4WD, T-18 Trans Mfr Code, 4 Speed:			(Speedi-Sleeve) .....	99112
	Light Duty Kit .....	STK82-F		Bearing .....	■ 6208-NRJ
<b>Transmission-Manual</b>			1961-1952	3 Spd. Trans. w/4 W/D:	
<b>Adapter Housing</b>				Seal (Felt) .....	671
1995-1994	AX15 Trans.:			Bearing .....	■ 6208-NRJ
	Seal .....	19601	<b>Mainshaft Pilot</b>		
	(Speedi-Sleeve) .....	99196	1990-1988	BA10/5 Trans. From Ser. 18303:	
				Bearing .....	BR32004
			1979-1965	4 Spd. Trans.:	
				Bearing .....	[88] C436-Q
			1967-1965	J162 w/327 Eng. & O/D Trans.:	
				Bearing .....	6307-J

(Continued)

# Passenger cars, light & medium trucks

## (Cont.) -- Jeep Cherokee, Chief, Comanche, Grand Cherokee, Laredo, Pioneer, Sedan Delivery, Station Wagon, Wagoneer

MFG./YEAR	MODEL & LOCATION	PART NO.	MFG./YEAR	MODEL & LOCATION	PART NO.
<b>Transmission-Manual (Cont.)</b>			<b>Transmission-Manual (Cont.)</b>		
<b>Mainshaft Pilot (Cont.)</b>			<b>Shift Shaft (Cont.)</b>		
1965-1946	3 Spd. Trans. Exc. J162, 6-226 & 4 W/D:		1973-1946	Main Unit:	
	Bearing ..... [13]	C1110-Q		Seal .....	6130
1964	J162 w/O/D Trans.:			(Speedi-Sleeve) .....	99062
	Bearing ..... ■	6207-NRJ	<b>Alternator</b>		
1964-1952	3 Spd. Trans. w/J162 & 6-226:		1990-1986	Gas Eng.:	
	Bearing ..... [14]	QBR23549		Bearing (Front) .....	6203-RSJ
1964-1949	3 Spd. Trans. w/4 W/D:			Bearing (Rear) .....	MNJ471-S
	Bearing ..... [14]	W1518-Q	1987-1986	Diesel Eng.:	
<b>Rear</b>				Bearing (Rear) .....	6200-RSJ
1995-1986	2 W/D:		1985-1983	42 & 63 Amp. Type I:	
	Seal .....	14732		Bearing (Front) .....	6203-ZJ
	(Speedi-Sleeve) .....	99147		Bearing (Rear) .....	MNJ471-S
1992-1986	4 W/D:		1985-1983	42 & 63 Amp. Type II:	
	Seal .....	19601		Bearing (Front) .....	6203-RSJ
	(Speedi-Sleeve) .....	99196		Bearing (Rear) .....	MNJ471-S
1985-1981	SR4, T4 & T5 M/Trans.:		1985-1983	56, 66, 78 & 85 Amp.:	
	Seal .....	18580		Bearing (Front) .....	6203-RSJ
	(Speedi-Sleeve) .....	99187		Bearing (Rear) .....	MNJ471-S
	Bearing ..... BR25877/BR25821		1982-1981	All:	
1985-1981	T18A Trans.:			Bearing (Front) .....	6203-ZJ
	Seal .....	15773		Bearing (Rear) .....	MNJ471-S
	(Speedi-Sleeve) .....	99156	1980-1975	Delco Remy:	
1985-1980	w/o 4 Spd. T18 Trans.:			Bearing (Front) .....	6203-ZJ
	Seal .....	19244		Bearing (Rear) .....	MNJ471-S
	(Speedi-Sleeve) .....	99193	1977-1976	Motorcraft:	
1979-1962	4 Spd. Trans.:			Bearing (Front) .....	6203-2RSJ
	Seal .....	21210		Bearing (Rear) .....	MNJ471-S
	(Speedi-Sleeve) .....	99212	1974	Motorola:	
	Bearing ..... 6308-NRJ			Bearing (Front) .....	6203-RSZJ
1973-1962	O/D Trans.:			Bearing (Rear) .....	6200-J
	Bearing .....	6307-J	1973-1962	w/o 230 & 350 Eng.:	
1972-1968	3 Spd. H.D. Trans.:			Bearing (Front) .....	6200-J
	Seal .....	15620		Bearing (Rear) .....	6203-RSZJ
	(Speedi-Sleeve) .....	99156	1971-1962	230 & 350 Eng.:	
	Bearing ..... ■ N6307-NJX			Bearing (Front) .....	6203-2ZJ
1971-1965	3 Spd. Trans. Exc. H.D. Trans.:			Bearing (Rear) .....	6200-2RSJ
	Seal .....	15620	<b>Engine</b>		
	(Speedi-Sleeve) .....	99156	<b>Auxiliary Shaft</b>		
	Bearing ..... 6307-J		1995-1994	2.1L Diesel Eng.:	
1964-1963	3 Spd. Trans. w/J162:			Seal .....	11603
	Seal .....	15005		(Speedi-Sleeve) .....	99114
	(Speedi-Sleeve) .....	99149	1987-1985	2.1L Diesel Eng.:	
	(Speedi-Sleeve/Seal Kit) .....	480152		Seal .....	11606
	Bearing ..... ■ 6207-NRJ			(Speedi-Sleeve) .....	99114
1964-1950	3 Spd. Trans. w/475 & 685:		<b>Camshaft</b>		
	Bearing .....	6206-NRJ	1987-1985	2.1L Diesel Eng.:	
1964-1949	3 Spd. Trans. w/4 W/D:			Seal .....	13945
	Seal .....	15005		(Speedi-Sleeve) .....	99139
	(Speedi-Sleeve) .....	99149	<b>Crankshaft-Rear</b>		
	(Speedi-Sleeve/Seal Kit) .....	480152	1995-1994	2.5L Eng. w/o Diesel:	
	Bearing ..... 6307-J			Seal .....	29526
<b>Reverse Idler</b>				(Speedi-Sleeve) .....	99294
1979-1965	T18 & T18A Trans.:		1995-1987	4.0L Eng.:	
	Bearing ..... [74]	B1316-Q		Seal Kit .....	◆208
<b>Shift Shaft</b>				(Superseded by:)	808
1985-1981	4 Speed Warner Trans.:		1995-1991	2.1L Diesel Eng.:	
	Seal .....	5510		Seal .....	35414
	(Speedi-Sleeve) .....	99056		(Speedi-Sleeve) .....	99354
1973-1962	O/D Trans.:				(Continued)
	Seal .....	3060			

**Jeep Cherokee, Chief, Comanche, Grand Cherokee, Laredo, Pioneer, Sedan Delivery, Station Wagon, Wagoneer -- (Cont.)**

MFG./YEAR	MODEL & LOCATION	PART NO.	MFG./YEAR	MODEL & LOCATION	PART NO.
<b>Engine (Cont.)</b>			<b>Engine (Cont.)</b>		
<b>Crankshaft-Rear (Cont.)</b>			<b>Timing Cover (Cont.)</b>		
1993-1986	2.46L & 2.5L Gas Engs.:		1964-1962	230 Eng.:	
	Seal .....	29526		Seal .....	20702
	(Speedi-Sleeve) .....	99294		(Speedi-Sleeve) .....	99205
1987-1985	2.1L Diesel Eng.:		1961-1946	w/o 4 W/D:	
	Seal .....	35409		Seal .....	17284
	(Speedi-Sleeve) .....	99354		(Speedi-Sleeve) .....	99174
1986-1985	2.8L Eng.:		<b>Steering-Power</b>		
	Seal .....	29862	<b>Pitman Shaft</b>		
	(Speedi-Sleeve) .....	99298	1986-1962	All:	
1986-1962	232 & 258 Engs.:			Seal (Inner) .....	12371
	Seal Kit .....	◇208		Seal (Outer) .....	12355
	(Superseded by).....	808		Seal Kit .....	12392
1985-1984	2.5L Gas Eng.:		<b>Pump Shaft</b>		
	Seal .....	29870	1987	Diesel Eng.:	
	(Speedi-Sleeve) .....	99300		Seal .....	7475
1970-1965	327 Eng.:		1986-1974	All:	
	Seal .....	19220		Seal .....	7475
	(Speedi-Sleeve) .....	99193	1973-1972	8 Cyl. Eng.:	
<b>Timing Cover</b>				Seal .....	7475
1995-1988	4 Cyl. & 6 Cyl. Gas Engs.:		1973-1965	258 Eng.:	
	Seal .....	17806		Seal .....	7475
	(Speedi-Sleeve) .....	99179	1973-1962	6 Cyl. Exc. 258 Eng.:	
1995-1994	2.5L Diesel Eng.:			Seal .....	8019
	Seal .....	20466	1971	8 Cyl. Exc. 350 Eng.:	
	(Speedi-Sleeve) .....	99204		Seal .....	7465
1995-1993	5.2L & 5.9L Engs.:		1971-1970	350 Eng.:	
	Seal .....	21944		Seal .....	7475
	(Speedi-Sleeve) .....	99218	1970-1965	327 Eng.:	
	(Speedi-Sleeve/Seal Kit) .....	480219		Seal .....	7465
1995-1991	2.1L Diesel Eng.:		<b>Worm Shaft</b>		
	Seal .....	19611	1973-1962	All:	
	(Speedi-Sleeve) .....	99196		Seal .....	8648
1987	4.0L Eng.:		<b>Steering-Standard</b>		
	Seal .....	17806	<b>Pitman Shaft</b>		
	(Speedi-Sleeve) .....	99179	1990-1987	All:	
1987-1985	2.1L Diesel Eng.:			Seal .....	11055
	Seal .....	19611	1986-1974	L.H. Drive:	
	(Speedi-Sleeve) .....	99196		Seal .....	11055
1987-1984	2.5L Gas Eng.:		1973-1962	Ross:	
	Seal .....	17806		Seal .....	11081
	(Speedi-Sleeve) .....	99179	1973-1962	Saginaw:	
1986-1984	2.8L Eng.:			Seal .....	11055
	Seal .....	17775	<b>Worm Shaft</b>		
	(Speedi-Sleeve) .....	99176	1990-1974	All:	
1985-1974	8 Cyl. Exc. 327 Eng.:			Seal .....	7481
	Seal .....	19799	1973-1962	Ross Gear:	
	(Speedi-Sleeve) .....	99199		Seal .....	7443
1985-1965	232 & 258 Engs.:				
	Seal .....	17806			
	(Speedi-Sleeve) .....	99179			
1970-1965	327 Eng.:				
	Seal .....	19220			
	(Speedi-Sleeve) .....	99193			

# Passenger cars, light & medium trucks

## Jeep FC-150, FC-170, Grand Wagoneer, J series, 4-73, 4-73HT, 4-75, 475, 6-226

MFG./YEAR	MODEL & LOCATION	PART NO.	MFG./YEAR	MODEL & LOCATION	PART NO.
<b>Wheel Front</b>			<b>Wheel Front (Cont.)</b>		
<b>1991-1981 All:</b>			<b>Axle Shaft (Cont.)</b>		
	Seal .....	24898	1984-1982	Disconnect Axle:	
	Bearing (Inner) .....	LM104949/JLM104910		Seal .....	19229
	Bearing (Outer) .....	BR35	1973-1962	4 W/D w/Model 27 Axle:	
	(Set Components) .....	LM501349/LM501310		Seal .....	11771
<b>1980-1977 Disc Brks.:</b>			1973-1962	4 W/D Model 44 Axle w/Axles 998560 Thru 998571, 5351149, 5351151, 5351154:	
	Seal .....	24898		Seal .....	13165
	Bearing (Inner) .....	LM104949/JLM104910	1961-1956	4 W/D FC-170:	
	Bearing (Outer) .....	BR35		Seal .....	12481
	(Set Components) .....	LM501349/LM501310	<b>Spindle Hub</b>		
<b>1976-1974 w/o Disc Brks.:</b>			1990-1974	All:	
	Seal .....	24904		Seal (Inner) .....	711818
	Bearing (Inner) .....	BR37		Seal (Outer) .....	22311
	(Set Components) .....	LM603049/LM603011		Bearing .....	B2110
	Bearing (Outer) .....	BR35		Seal & Bearing Kit .....	BK1
	(Set Components) .....	LM501349/LM501310	<b>Steering Knuckle</b>		
<b>1976-1974 Disc Brks.:</b>			1973-1962	Solid Suspension:	
	Seal .....	24898		Seal .....	41555
	Bearing (Inner) .....	BR37	1973-1947	Independent Frt. Suspension:	
	(Set Components) .....	LM603049/LM603011		Seal .....	41555
	Bearing (Outer) .....	BR35		Bearing .....	BR11590/BR11520
	(Set Components) .....	LM501349/LM501310	<b>Wheel Rear</b>		
<b>1973-1962 Camper Special:</b>			1991-1974	Spicer 44 Axle:	
	Seal .....	22468		Seal .....	18731
	Bearing (Inner) .....	BR18690/BR18620		Bearing .....	BR10
	Bearing (Outer) .....	BR18685/BR18620	1990-1974	Spicer 60 Axle:	
<b>1973-1962 Dual Rr. Whls.:</b>				Seal .....	23844
	Bearing (Inner) .....	BR24780/BR24720		Bearing (Inner) .....	BR28678/BR28622
	Bearing (Outer) .....	BR35		Bearing (Outer) .....	BR18690/BR18620
	(Set Components) .....	LM501349/LM501310	1973-1971	Spicer 60-2 Axle:	
<b>1973-1962 w/o H.D. Suspension:</b>				Seal .....	20168
	Seal .....	21159		Bearing .....	RSN1584-EV
	Bearing .....	[2] BR35	1973-1963	Spicer 60-3 Axle:	
	(Set Components) .....	LM501349/LM501310		Seal .....	17386
<b>1973-1962 H.D. Suspension:</b>				Bearing (Inner) .....	368-A/362-A
	Seal .....	21159		Bearing (Outer) .....	387-A/382-A
	Bearing (Inner) .....	BR24780/BR24720	1973-1963	Spicer 70 Axle:	
	Bearing (Outer) .....	BR35		Seal .....	27470
	(Set Components) .....	LM501349/LM501310		Bearing (Inner) .....	387-A/382-A
<b>1961-1956 FC-150 w/4 W/D Thru 1/1/62:</b>				Bearing (Outer) .....	368-A/362-A
	Seal .....	21101	1973-1962	Camper Special:	
	Bearing .....	[2] BR18590/BR18520		Seal .....	26368
<b>1961-1956 FC-170 w/4 W/D Thru 1/1/62:</b>				Bearing (Inner) .....	370-A/362-A
	Seal .....	21159		Bearing (Outer) .....	359-S/354-A
	Bearing .....	BR18590/BR18520	1973-1962	Spicer 53 w/o 230 Eng.:	
<b>1961-1952 4-73, 475 &amp; 6-226 w/4 W/D:</b>				Seal (Inner) .....	16362
	Seal .....	21101		Seal (Outer) .....	20168
	Bearing .....	[2] BR18590/BR18520		Bearing .....	26882-T/BR26822
<b>1961-1952 4-75 &amp; 6-226 w/2 W/D:</b>			1973-1962	Spicer 53 w/230 Eng.:	
	Seal .....	16384		Seal (Inner) .....	16362
	Bearing (Inner) .....	14125-A/BR14274		Seal (Outer) .....	13956
	Bearing (Outer) .....	BR09074/BR09194		Bearing .....	26882-T/BR26822
<b>1955-1954 FC-170 w/4 W/D:</b>			1971-1962	Spicer 44-1 w/Fig. Axle:	
	Seal .....	21159		Seal (Inner) .....	15142
1951-1947	4 W/D; 4-73, 4-75, 6-226:			Seal (Outer) .....	18731
	Bearing .....	[2] BR18590/BR18520		Bearing .....	BR10
<b>Axle Shaft</b>			1961-1956	FC150 w/4 W/D:	
<b>1991-1987 All:</b>				Bearing .....	BR25877/BR25821
	Seal .....	13165	(Continued)		
<b>1986-1974 w/o Disconnect Axle:</b>					
	Seal (2.286" O.D.) .....	13165			
	Seal (2.625" O.D.) .....	13246			

## Passenger cars, light & medium trucks

### Jeep FC-150, FC-170, Grand Wagoneer, J series, 4-73, 4-73HT, 4-75, 475, 6-226 -- (Cont.)

MFG./YEAR	MODEL & LOCATION	PART NO.	MFG./YEAR	MODEL & LOCATION	PART NO.
<b>Wheel Rear (Cont.)</b>			<b>Pinion (Cont.)</b>		
1961-1956	FC170 w/4 W/D:		<b>Rear Axle (Cont.)</b>		
	Bearing .....	26882-T/BR26822	1986-1981	J20:	
1961-1956	FC170 w/4 W/D & H.D. Axle:			Seal .....	18891
	Bearing (Inner) .....	387-A/382-A		(Speedi-Sleeve) .....	99187
	Bearing (Outer) .....	368-A/362-A		Bearing (Front) .....	HM88542/HM88510
1961-1946	475 & 6-226 w/4 W/D:			Bearing (Rear) .....	HM803146/HM803110
	Bearing .....	26882-T/BR26822	1980-1974	J10:	
<b>Pinion</b>				Seal .....	15788
<b>Front Axle</b>				(Speedi-Sleeve) .....	99155
1991-1987	All:			Bearing (Front) .....	BR02872/BR02820
	Seal .....	15788		Bearing (Rear) .....	BR31594/BR31520
	(Speedi-Sleeve) .....	99155	1980-1974	J20:	
	Bearing (Front) .....	BR02872/BR02820		Seal .....	18888
	Bearing (Rear) .....	BR31594/BR31520		(Speedi-Sleeve) .....	99187
1986-1974	All:			Bearing (Front) .....	HM88542/HM88510
	Seal .....	15788		Bearing (Rear) .....	HM803146/HM803110
	(Speedi-Sleeve) .....	99155	1973-1962	Model 53 Axle:	
	Bearing (Front) .....	BR02872/BR02820		Seal .....	15788
	Bearing (Rear) .....	BR31594/BR31520		(Speedi-Sleeve) .....	99155
1973-1963	4 W/D w/Spicer 44 Axle:			Bearing (Front) .....	BR02872/BR02820
	Seal .....	15788		Bearing (Rear) .....	BR3877/BR3820
	(Speedi-Sleeve) .....	99155	1973-1962	Spicer 44 Axle:	
	Bearing (Front) .....	BR02872/BR02820		Seal .....	15788
	Bearing (Rear) .....	BR31594/BR31520		(Speedi-Sleeve) .....	99155
1973-1962	4 W/D J264 & J364 w/Spicer 27 Axle:			Bearing (Front) .....	BR02872/BR02820
	Seal .....	15788		Bearing (Rear) .....	BR31594/BR31520
	(Speedi-Sleeve) .....	99155	1973-1962	Spicer 60 Axle:	
	Bearing (Front) .....	BR02872/BR02820		Seal .....	18888
	Bearing (Rear) .....	HM88649/HM88610		(Speedi-Sleeve) .....	99187
1961-1952	4 W/D:			Bearing (Front) .....	HM88542/HM88510
	Seal .....	15788		Bearing (Rear) .....	HM803146/HM803110
	(Speedi-Sleeve) .....	99155	1973-1962	Spicer 70 Axle:	
	Bearing (Front) .....	BR02872/BR02820		Seal .....	18888
	Bearing (Rear) .....	BR31594/BR31520		(Speedi-Sleeve) .....	99187
1951-1947	4 W/D w/30 Model Axle:			Bearing (Front) .....	HM88542/HM88510
	Seal .....	15788		Bearing (Rear) .....	HM807040/HM807010
	(Speedi-Sleeve) .....	99155	1961-1958	FC-150 w/Spicer Axle & 4 W/D:	
	Bearing (Front) .....	BR02872/BR02820		Seal .....	15788
<b>Rear Axle</b>				(Speedi-Sleeve) .....	99155
1991-1987	Spicer 44 Axle:			Bearing (Front) .....	BR02872/BR02820
	Seal .....	15788		Bearing (Rear) .....	BR31594/BR31520
	(Speedi-Sleeve) .....	99155	1961-1958	FC-170 w/4 W/D, Spicer Axle w/o H.D.:	
	Bearing (Front) .....	BR31594/BR31520		Seal .....	15788
	Bearing (Rear) .....	BR02872/BR02820		(Speedi-Sleeve) .....	99155
1990-1987	Spicer 60 Axle:			Bearing (Front) .....	BR02872/BR02820
	Seal .....	18891		Bearing (Rear) .....	BR31594/BR31520
	(Speedi-Sleeve) .....	99187	1961-1958	FC-170 w/H.D. Spicer Axle & 4 W/D:	
	Bearing (Front) .....	HM803146/HM803110		Seal .....	15788
	Bearing (Rear) .....	HM88542/HM88510		(Speedi-Sleeve) .....	99155
1986-1981	J10 w/10 Bolt Cvr.:			Bearing (Front) .....	HM88542/HM88510
	Seal .....	15788		Bearing (Rear) .....	HM807040/HM807010
	(Speedi-Sleeve) .....	99155	1961-1956	FC-170 w/4 W/D & Rockwell Std. Axle w/o H.D.:	
	Bearing (Front) .....	BR02872/BR02820		Seal .....	12456
	Bearing (Rear) .....	BR31594/BR31520		(Speedi-Sleeve) .....	99125
1986-1981	J10 w/12 Bolt Cvr.:			(Speedi-Sleeve/Seal Kit) .....	480125
	Seal .....	18472		Bearing (Front) .....	BR02872/BR02820
	Bearing (Front) .....	BR52		Bearing (Rear) .....	BR3877/BR3820
	(Set Components) .....	M88048/M88010	1961-1951	475 & 6-226 w/Spicer Axle & 4 W/D:	
	Bearing (Rear) .....	M802048/M802011		Bearing (Front) .....	BR02872/BR02820
				Bearing (Rear) .....	BR3877/BR3820

(Continued)



# Passenger cars, light & medium trucks

(Cont.) -- Jeep FC-150, FC-170, Grand Wagoneer, J series, 4-73, 4-73HT, 4-75, 475, 6-226

MFG./YEAR	MODEL & LOCATION	PART NO.	MFG./YEAR	MODEL & LOCATION	PART NO.
<b>Pinion (Cont.)</b>			<b>Differential (Cont.)</b>		
<b>Rear Axle (Cont.)</b>			<b>Rear Axle (Cont.)</b>		
1961-1947	FC-150 w/Rockwell Std. Axle & 4 W/D:		1973-1962	Model 44 Spicer w/Flg. Axle:	
	Seal ..... 12456			Bearing ..... [2] BR25590/BR25523	
	(Speedi-Sleeve) ..... 99125		1973-1962	Model 44 Spicer w/Tapered Axle:	
	(Speedi-Sleeve/Seal Kit) ..... 480125			Bearing ..... [2] BR25577/BR25523	
	Bearing (Front) ..... BR02872/BR02820		1973-1962	Model 53 Axle:	
	Bearing (Rear) ..... BR31594/BR31520			Bearing ..... [2] BR25590/BR25527	
1961-1947	475 & 6-226 w/Rockwell Std. Axle & 4 W/D:		1973-1962	Model 60 & 70 Axles:	
	Bearing (Front) ..... BR27880/27820-D			Bearing ..... [2] 387-A/382-S	
	Bearing (Rear) ..... M1205-TV		1961	4 W/D 475, 6-226 w/Spicer Axle:	
1951-1950	4-73 w/Spicer Axle & 4 W/D:			Bearing ..... [2] BR25590/BR25527	
	Seal ..... 15788		1961-1956	FC150 w/4 W/D:	
	(Speedi-Sleeve) ..... 99155			Bearing ..... [2] BR25577/BR25523	
<b>Differential Kit</b>			1961-1956	FC170 w/4 W/D w/o H.D.Spicer Axle:	
1990-1974	Dana 44 Axle:			Bearing ..... [2] BR25590/BR25527	
	Standard Seal and Bearing Kit Rear ..... SDK339-B		1961-1956	FC170 H.D. w/4 W/D:	
	Standard Seal and Bearing Kit Front ..... SDK339-B			Bearing ..... [2] 387-A/382-A	
1988-1974	Dana 60 Axle:		<b>Clutch Pilot</b>		
	Standard Seal and Bearing Kit Rear ..... SDK331		1990-1988	6 Cyl. Eng.:	
1986-1980	AMC 20 Axle:			Bearing ..... B041	
	Standard Seal and Bearing Kit Rear ..... SDK311-J		1986-1981	6 Cyl. Eng.:	
<b>Front Axle</b>				Bearing ..... B041	
1991-1974	All:		<b>Release</b>		
	Bearing ..... [2] BR25590/BR25523		1990-1980	All:	
1973-1962	4 W/D Gladiator Exc. 998560, 998571, 5351149, 151 & 154 Axles:			Bearing Assembly ..... N1444	
	Bearing ..... [2] BR25590/BR25523			(Self-Aligning) ..... N1444-SA	
1973-1962	J264, J364 & Gladiator w/4 W/D & 44 Spicer Axle Exc. 998560, 998571, 5351149, 151 & 154 Axles:		1979-1978	All:	
	Bearing ..... [2] BR25577/BR25523			Bearing Only ..... N1054	
1973-1962	J264 & J364 w/Model 27, 30 Axle & 4 W/D:			Bearing Assembly ..... N1491	
	Bearing ..... [2] LM501349/LM501311		1977-1974	6 Cyl. Eng.:	
1961-1957	4-73, 475, 6-226 & FC150 w/4 W/D w/o 57" Tread:			Bearing Assembly ..... N1701	
	Bearing ..... [2] BR24780/BR24721		1977-1971	8 Cyl. Eng.:	
1961-1956	FC150 w/57" Tread & 4 W/D; FC170:			Bearing Only ..... N1054	
	Bearing ..... [2] BR25577/BR25523			Bearing Assembly ..... N1491	
<b>Rear Axle</b>			1973-1965	6 Cyl. Eng.:	
1991-1987	Spicer 44 Axle:			Bearing Assembly ..... N1701	
	Bearing ..... [2] BR25590/BR25523		1970-1969	350 Eng.:	
1990-1987	Spicer 60 Axle:			Bearing Only ..... N1054	
	Bearing ..... [2] 387-A/382-S		1970-1965	327 Eng.:	
1986-1981	J10 w/10 Bolt Cvr.:			Bearing Only ..... N1136	
	Bearing ..... [2] BR25590/BR25523		1965-1962	230 Eng.:	
1986-1981	J10 w/12 Bolt Cvr.:			Bearing Only ..... N1104	
	Bearing ..... [2] BR36		1961-1946	4 W/D Exc. J264, J364, FC170 & 6-226:	
	(Set Components) ..... LM603049/LM603012			Bearing Only ..... N1054	
1986-1981	J20:			Bearing Assembly ..... N1341	
	Bearing ..... [2] 387-A/382-S		<b>Transfer Case</b>		
1980	All:		<b>Front Output Shaft</b>		
	Bearing ..... [2] BR36		1990	New Process 229:	
	(Set Components) ..... LM603049/LM603012			Seal ..... 18771	
1979-1974	J10:			(Speedi-Sleeve) ..... 99187	
	Bearing ..... [2] BR25590/BR25523			Bearing (Inner) ..... J2416	
1979-1974	J20:			Bearing (Outer) ..... B2816	
	Bearing ..... [2] 387-A/382-S			Bearing (Thrust) ..... [2] NTA2840	
			1990-1980	New Process 208:	
				Seal ..... 18771	
				(Speedi-Sleeve) ..... 99187	
				Bearing (Inner) ..... B2416	
				Bearing (Outer) ..... B2816	
				Bearing (Thrust) ..... [2] NTA2840	

(Continued)

Jeep FC-150, FC-170, Grand Wagoneer, J series, 4-73, 4-73HT, 4-75, 475, 6-226  
-- (Cont.)

MFG./YEAR	MODEL & LOCATION	PART NO.	MFG./YEAR	MODEL & LOCATION	PART NO.
<b>Transfer Case (Cont.)</b>			<b>Transfer Case (Cont.)</b>		
<b>Front Output Shaft (Cont.)</b>			<b>Oil Pump</b>		
<b>1989-1987 New Process 229:</b>			<b>1988-1980 New Process 208:</b>		
Seal		18771	Seal		22306
(Speedi-Sleeve)		99187	(Speedi-Sleeve)		99225
Bearing (Inner)		B2416	<b>Rear Output Shaft</b>		
Bearing (Outer)		B2816	<b>1990 New Process 229:</b>		
<b>1986-1980 New Process 219:</b>			Seal (Inner)		22306
Seal		18771	(Speedi-Sleeve) (Inner)		99225
(Speedi-Sleeve)		99187	Seal (Outer)		18662
Bearing (Inner)		B2416	(Speedi-Sleeve) (Outer)		99187
Bearing (Outer)		B2816	Bearing (Outer)		6207-J
<b>1986-1980 New Process 228 &amp; 229:</b>			<b>1990-1980 New Process 208:</b>		
Seal		18662	Seal		18662
(Speedi-Sleeve)		99187	(Speedi-Sleeve)		99187
Bearing (Inner)		B2416	Bearing		6207-J
Bearing (Outer)		B2816	<b>1989-1980 New Process 228 &amp; 229:</b>		
<b>1979-1962 w/o Quad-Trac:</b>			Seal (Inner)		22306
Seal		15450	(Speedi-Sleeve) (Inner)		99225
(Speedi-Sleeve)		99156	Seal (Outer)		18662
Bearing	[2] BR14116/BR14276		(Speedi-Sleeve) (Outer)		99187
<b>1961-1949 w/o Quad-Trac:</b>			Bearing (Outer)		6207-J
Seal		15450	<b>1986-1980 New Process 219:</b>		
(Speedi-Sleeve)		99156	Seal		18662
<b>Idler Shaft</b>			(Speedi-Sleeve)		99187
<b>1961-1947 Exc. FC150, FC170 &amp; 6-226:</b>			Bearing (Inner)		B3616
Bearing	[2] J36-1644		Bearing (Outer)		6207-J
<b>Input Shaft</b>			<b>1979-1974 Exc. Quad-Trac:</b>		
<b>1990-1987 New Process 229:</b>			Seal		15450
Seal		19255	(Speedi-Sleeve)		99156
(Speedi-Sleeve)		99193	Bearing (Front)		BR25877/BR25821
Bearing	[2] B5020		Bearing (Rear)		BR15117/BR15245
<b>1990-1983 New Process 208:</b>			<b>1973-1949 All:</b>		
Seal		19255	Seal		15450
(Speedi-Sleeve)		99193	(Speedi-Sleeve)		99156
Bearing	[2] B5020		<b>Shift Shaft</b>		
Bearing (Thrust)		AXK5070	<b>1979-1962 Exc. Quad-Trac:</b>		
<b>1986-1980 New Process 219:</b>			Seal		6229
Seal		19255	(Speedi-Sleeve)		99062
(Speedi-Sleeve)		99193	<b>1965-1949 6-226 w/4 W/D:</b>		
Bearing	[2] B5020		Seal		6203
Bearing (Thrust)		AXK5070	(Superseded by:)		6903
<b>1986-1980 New Process 228 &amp; 229:</b>			(Speedi-Sleeve)		99062
Seal		19255	<b>Side Gear</b>		
(Speedi-Sleeve)		99193	<b>1986-1980 New Process 208:</b>		
Bearing	[2] B5020		Bearing	[120] C1086-Q	
<b>1982-1980 New Process 208:</b>			<b>Transmission-Automatic</b>		
Seal		19255	<b>Front Pump</b>		
(Speedi-Sleeve)		99193	<b>1991-1987 All:</b>		
Bearing	[2] B5020		Seal		18508
Bearing (Thrust)		AXK5070	<b>1986-1974 727 Trans.:</b>		
<b>1979-1962 Quad-Trac:</b>			Seal		18508
Seal		13571	<b>1986-1974 904 &amp; 999 Trans.:</b>		
(Speedi-Sleeve)		99138	Seal		15022
<b>1961-1947 Exc. J264 &amp; J364:</b>			(Speedi-Sleeve)		99149
Bearing		6206-J	<b>1973-1965 All:</b>		
<b>Mainshaft Pilot</b>			Seal		18692
<b>1990-1980 All:</b>			(Speedi-Sleeve)		99187
Bearing		B2012	(Speedi-Sleeve/Seal Kit)		480187

(Continued)

## Passenger cars, light & medium trucks

(Cont.) -- Jeep FC-150, FC-170, Grand Wagoneer, J series, 4-73, 4-73HT, 4-75, 475, 6-226

MFG./YEAR	MODEL & LOCATION	PART NO.	MFG./YEAR	MODEL & LOCATION	PART NO.
<b>Transmission-Automatic (Cont.)</b>			<b>Transmission-Manual (Cont.)</b>		
<b>Front Pump (Cont.)</b>			<b>Countershaft (Cont.)</b>		
<b>1964-1962 J Series:</b>			<b>1965-1956 3 Spd. Trans. 4 W/D, FC150 &amp; FC170:</b>		
	Seal .....	19240		Bearing .....	[88] C407-Q
	(Speedi-Sleeve) .....	99193	<b>1965-1947 3 Spd. Trans. 4 W/D, 475 &amp; 6-226:</b>		
				Bearing .....	[88] C407-Q
<b>Rear</b>			<b>Front</b>		
<b>1991-1983 All:</b>			<b>1990-1987 All:</b>		
	Seal .....	19211		Seal .....	11123
	(Speedi-Sleeve) .....	99193		(Speedi-Sleeve) .....	99112
<b>1982-1974 All:</b>				Bearing .....	6209-NRJ
	Seal .....	19244	<b>1986-1974 w/4 Spd. Warner Trans.:</b>		
	(Speedi-Sleeve) .....	99193		Seal .....	11123
<b>1979-1975 All:</b>				(Speedi-Sleeve) .....	99112
	Bearing .....	6308-NRJ	<b>1986-1974 T5 &amp; T18 Trans.:</b>		
<b>1973-1965 Hydramatic Trans. w/2 W/D:</b>				Seal .....	12363
	Seal .....	16871		(Speedi-Sleeve) .....	99125
	(Speedi-Sleeve) .....	99168	<b>1979-1974 T14A &amp; T15A Trans.:</b>		
<b>1973-1965 Hydramatic Trans. w/4 W/D:</b>				Seal .....	11123
	Seal .....	24286		(Speedi-Sleeve) .....	99112
	(Speedi-Sleeve) .....	99243	<b>1973 T89, T89D &amp; T89E Trans.:</b>		
	Bearing .....	6210-J		Seal .....	11123
<b>1965-1964 230 Eng. w/2 W/D:</b>				(Speedi-Sleeve) .....	99112
	Seal .....	21210		Bearing .....	6307-RSJ
	(Speedi-Sleeve) .....	99212	<b>1973-1970 T14A Trans.:</b>		
<b>1964-1962 230 Eng. w/4 W/D:</b>				Seal .....	11123
	Seal .....	17726		(Speedi-Sleeve) .....	99112
	(Speedi-Sleeve) .....	99174		Bearing .....	■ N6307-NJX
	Bearing .....	6307-RSJ	<b>1973-1969 T15A Trans.:</b>		
<b>1964-1962 J264 &amp; J364 w/4 W/D:</b>				Seal .....	11123
	Bearing .....	6307-2ZJ		(Speedi-Sleeve) .....	99112
<b>1964-1962 J162 w/4 W/D:</b>				Bearing .....	6308-NRJX
	Seal .....	21210	<b>1973-1965 T18 Trans.:</b>		
	(Speedi-Sleeve) .....	99212		Seal .....	11123
	Bearing .....	6307-RSJ		(Speedi-Sleeve) .....	99112
<b>1964-1962 J164 w/4 W/D:</b>				Seal .....	11123
	Seal .....	24286		(Speedi-Sleeve) .....	99112
	(Speedi-Sleeve) .....	99243	<b>1968-1965 3 Spd. Trans. w/327 Eng.:</b>		
	Bearing .....	6307-2ZJ		Seal .....	11123
				(Speedi-Sleeve) .....	99112
<b>Shift Shaft</b>				Bearing .....	6307-RSJ
<b>1974-1962 J Series:</b>			<b>1961-1947 T86 &amp; T90 Trans. w/4 Cyl. Eng.:</b>		
	Seal .....	7556		Seal .....	671
	(Speedi-Sleeve) .....	99076		Bearing .....	■ 6208-NRJ
<b>Transmission</b>			<b>Mainshaft Pilot</b>		
<b>Kit</b>			<b>1983-1965 T18 Trans.:</b>		
<b>1983-1981 4WD, T-18 Trans Mfr Code, 4 Speed:</b>				Bearing .....	[22] C436-Q
	Light Duty Kit .....	STK82-F	<b>1964-1947 All:</b>		
<b>1979-1965 4WD, T-18 Trans Mfr Code, 4 Speed:</b>				Bearing .....	[14] W1518-Q
	Light Duty Kit .....	STK82-F	<b>Rear</b>		
<b>Transmission-Manual</b>			<b>1990-1987 All:</b>		
<b>Countershaft</b>				Seal .....	19244
<b>1983-1980 T18 Trans.:</b>				(Speedi-Sleeve) .....	99193
	Bearing .....	[88] C436-Q	<b>1986-1981 SR4, T4 &amp; T5 Trans.:</b>		
<b>1979-1956 4 Spd. Trans. J Series, 4 W/D FC150 &amp; FC170:</b>				Seal .....	18580
	Bearing .....	[88] C436-Q		(Speedi-Sleeve) .....	99187
<b>1975-1968 3 Spd. Trans. Gladiator w/T14A Trans., 232, 258 &amp; 360 Eng. &amp; 4 W/D:</b>			<b>1986-1981 T18 Trans.:</b>		
	Bearing .....	[80] C407-Q		Seal .....	15773
<b>1973-1963 3 Spd. Trans. J Series w/232 Eng. Exc. H.D.:</b>				(Speedi-Sleeve) .....	99156
	Bearing .....	[88] C407-Q		Bearing .....	6308-NRJ
			<b>1986-1980 4 Spd. T176, T177 &amp; T178 Trans.:</b>		
				Seal .....	19244
				(Speedi-Sleeve) .....	99193
					(Continued)

Jeep FC-150, FC-170, Grand Wagoneer, J series, 4-73, 4-73HT, 4-75, 475, 6-226  
-- (Cont.)

MFG./YEAR	MODEL & LOCATION	PART NO.	MFG./YEAR	MODEL & LOCATION	PART NO.
<b>Transmission-Manual (Cont.)</b>			<b>Alternator (Cont.)</b>		
<b>Rear (Cont.)</b>			1974 Motorola:		
1979-1974	T176 & T178 Trans.:		Bearing (Front)		6200-J
	Seal	21210	Bearing (Rear)		6203-RSZJ
	(Speedi-Sleeve)	99212	1973-1963 w/o 230 & 350 Engs.:		
	Bearing	6308-NRJ	Bearing (Front)		6200-J
1979-1962	T18 Trans.:		Bearing (Rear)		6203-RSZJ
	Seal	21210	1971-1962 230 & 350 Engs.:		
	(Speedi-Sleeve)	99212	Bearing (Front)		6203-2ZJ
	Bearing	6308-NRJ	Bearing (Rear)		6200-2RSJ
1975-1974	T14A Trans.:		<b>Drive Shaft</b>		
	Bearing	■ 207-VSP35	1961-1947	2 W/D Thru Ser. 12974; 4 W/D From Ser. 12974:	
1973-1962	4 Spd. Trans.:		Bearing		BR88506
	Seal	15620	<b>Engine</b>		
	(Speedi-Sleeve)	99156	<b>Crankshaft-Rear</b>		
1961-1956	3 Spd. Trans. FC150 & FC170 4 W/D:		1987-1965	6 Cyl. Eng.:	
	Seal	21210	Seal Kit		↔208
	(Speedi-Sleeve)	99212	(Superseded by):		808
	Bearing	6307-J	1970-1965	327 Eng.:	
1961-1956	3 Spd. Trans. J262 & J362 Exc. H.D.:		Seal		19220
	Seal	15005	(Speedi-Sleeve)		99193
	(Speedi-Sleeve)	99149	<b>Timing Cover</b>		
	(Speedi-Sleeve/Seal Kit)	480152	1991-1968	8 Cyl. Eng. Exc. 327 Eng.:	
1951-1950	3 Spd. Trans. 4-73 HT:		Seal		19799
	Seal	15620	(Speedi-Sleeve)		99199
	(Speedi-Sleeve)	99156	1987	6 Cyl. Eng.:	
<b>Reverse Idler</b>			Seal		17806
1983-1980	J20 w/T18 Trans.:		(Speedi-Sleeve)		99179
	Bearing	[74] B1316-Q	1986-1965	6 Cyl. Eng.:	
1979-1956	4 Spd. Trans. J Series, 4 W/D FC150 & FC170:		Seal		17806
	Bearing	[74] B1316-Q	(Speedi-Sleeve)		99179
<b>Second Speed Gear</b>			1970-1965	327 Eng.:	
1965-1956	4 Spd. Trans. 4 W/D FC150, FC170 & J Series:		Seal		19220
	Bearing	[34] Q6086	(Speedi-Sleeve)		99193
<b>Shift Shaft</b>			1964-1962	230 Eng.:	
1986-1981	SR4 Trans.:		Seal		20702
	Seal	5510	(Speedi-Sleeve)		99205
	(Speedi-Sleeve)	99056	1961-1947	4 Cyl. Eng.:	
1973-1965	Main Unit:		Seal		17284
	Seal	6130	(Speedi-Sleeve)		99174
	(Speedi-Sleeve)	99062	<b>Generator</b>		
1966-1965	O/D Trans.:		1961-1956	FC150 & FC170 w/4 W/D:	
	Seal	3060	Bearing (Front)		6203-J
<b>Alternator</b>			1961-1951	475 & 6-226 w/4 W/D:	
1990-1987	85 & 94 Amp w/1105346 Assy.:		Bearing (Front)		6203-J
	Bearing (Front)	6203-RSJ	<b>Power Takeoff</b>		
	Bearing (Rear)	MNJ471-S	<b>Drive Shaft</b>		
1988-1987	42, 56 & 78 Amp.:		1961-1947	4 W/D Exc. J264 & J364:	
	Bearing (Front)	6203-RSJ	Bearing		6205-RSJ
	Bearing (Rear)	MNJ471-S	<b>Input Shaft</b>		
1986-1983	Delco Remy Type I:		1961-1947	4 W/D Exc. J264 & J364:	
	Bearing (Front)	6203-ZJ	Bearing		BR15578/BR15520
	Bearing (Rear)	MNJ471-S	<b>Output Shaft</b>		
1986-1975	Delco Remy Type II:		1961-1947	4 W/D Exc. J264 & J364:	
	Bearing (Front)	6203-RSJ	Bearing		BR15578/BR15520
	Bearing (Rear)	MNJ471-S	(Continued)		
1977-1976	Motorcraft:				
	Bearing (Front)	6203-2RSJ			
	Bearing (Rear)	MNJ471-S			

## Passenger cars, light & medium trucks

(Cont.) -- Jeep FC-150, FC-170, Grand Wagoneer, J series, 4-73, 4-73HT, 4-75, 475, 6-226

MFG./YEAR	MODEL & LOCATION	PART NO.	MFG./YEAR	MODEL & LOCATION	PART NO.
<b>Steering-Power</b>			<b>Steering-Standard</b>		
<b>Pitman Shaft</b>			<b>Pitman Shaft</b>		
1986-1974 All:			1986-1974 All:		
	Seal (Inner) .....	12371		Seal .....	11055
	Seal (Outer) .....	12355	1973-1962	Ross Gear:	
	Seal Kit .....	12392		Seal .....	11081
<b>Pump Shaft</b>			1973-1962 Saginaw Gear:		
1990-1974 All:			Seal .....		
	Seal .....	7475	1961-1947 FC-150, FC-170, 4-73, 4-73HT, 475 & 6-226		
1973-1962	w/o 230 & 232 Engs.:		w/4 W/D:		
	Seal .....	7475		Seal .....	9837
1973-1962	230 & 232 Engs.:		<b>Worm Shaft</b>		
	Seal .....	8019	1985-1974 All:		
<b>Worm Shaft</b>			Seal .....		
1982-1974 L.H. Drive:			1973-1962 Ross Gear:		
	Seal .....	7481	Seal .....		
1979-1974 R.H. Drive:			1973-1962 Saginaw Gear:		
	Seal .....	7464	Seal .....		
1973-1962 All:					
	Seal .....	8648			

**Kia**

<b>Wheel Front</b>	
1995-1994 Sephia:	
	Seal (Inner) ..... 22454
	Seal (Outer) ..... 16747
	Sealed Bearing ..... GRW237
	C-Clip ..... CIR237
<b>Wheel Rear</b>	
1995-1994 Sephia w/o Disc Brks.:	
	Hub Assembly ..... BR930165
<b>Clutch</b>	
<b>Release</b>	
1995 Sephia w/1.8L Eng.:	
	Bearing Assembly ..... N4067
<b>Transaxle-Automatic</b>	
<b>Differential</b>	
1995-1994 Sephia:	
	Bearing ..... BR17
	(Set Components) ..... L68149/L68111
<b>Front Pump</b>	
1995-1994 Sephia:	
	Seal ..... 26640
	(Speedi-Sleeve) ..... 99266
<b>Transaxle-Manual</b>	
<b>Differential</b>	
1995 Sephia w/1.8L Eng.:	
	Bearing ..... 32008-X
1995-1994 Sephia w/1.6L Eng.:	
	Bearing ..... BR17
	(Set Components) ..... L68149/L68111

<b>Transaxle-Manual (Cont.)</b>	
<b>Output Shaft</b>	
1995 Sephia w/1.8L Eng.:	
	Seal ..... 14006
	(Speedi-Sleeve) ..... 99139
1995-1994 Sephia w/1.6L Eng.:	
	Seal ..... 14006
	(Speedi-Sleeve) ..... 99139
<b>Shift Shaft</b>	
1995 Sephia w/1.8L Eng.:	
	Seal ..... ◇6413
	(Superseded by:) ..... 6913
1995-1994 Sephia w/1.6L Eng.:	
	Seal ..... ◇6413
	(Superseded by:) ..... 6913
<b>Alternator</b>	
1995-1994 Sephia:	
	Bearing (Rear) ..... AB4
<b>Engine</b>	
<b>Camshaft</b>	
1995 Sephia w/DOHC Eng.:	
	Seal ..... 13429
	(Speedi-Sleeve) ..... 99134
1995-1994 Sephia w/SOHC Eng.:	
	Seal ..... 11612
	(Speedi-Sleeve) ..... 99114
<b>Crankshaft-Rear</b>	
1995-1994 Sephia:	
	Seal ..... 32715
<b>Timing Belt Tensioner</b>	
1995 Sephia w/DOHC Eng.:	
	Bearing & Housing Assy. .... VKM74201
1995-1994 Sephia w/SOHC Eng.:	
	Bearing & Housing Assy. .... VKM74200
(Continued)	

**Kia -- (Cont.)**

MFG./YEAR	MODEL & LOCATION	PART NO.	MFG./YEAR	MODEL & LOCATION	PART NO.
<b>Engine (Cont.)</b>					
<b>Timing Belt and Tensioner Kit</b>					
1995	Sephia w/DOHC:				
	Belt & Tensioner Kit .....	VKMA94201			
1995-1994	Sephia w/SOHC Eng.:				
	Belt & Tensioner Kit .....	VKMA44002			
<b>Timing Cover</b>					
1995-1994	1.6L Eng.:				
	Seal .....	14477			

**Kia Truck Sportage (thru 1995)**

<p><b>Wheel Front</b></p> <p>1995 Sportage w/4 W/D:</p> <p>Seal (Outer) .....23615</p> <p>Bearing (Inner) ..... BR50</p> <p>(Set Components) ..... LM102949/LM102910</p> <p>Bearing (Outer) ..... BR11</p> <p>(Set Components) ..... JL69349/JL69310</p> <p><b>Wheel Rear</b></p> <p>1995 Sportage:</p> <p>Seal (Inner) .....12720</p> <p>Seal (Outer) .....16932</p> <p>Bearing ..... BR9</p> <p><b>Pinion</b></p> <p><b>Front Axle</b></p> <p>1995 Sportage:</p> <p>Bearing (Front) ..... BR32207</p> <p>Bearing (Rear) ..... BR32206</p> <p><b>Rear</b></p> <p>1995 Sportage:</p> <p>Seal .....15849</p> <p>(Speedi-Sleeve) ..... 99157</p> <p>Bearing (Front) ..... BR32207</p> <p>Bearing (Rear) ..... BR32206</p> <p><b>Differential</b></p> <p><b>Front Axle</b></p> <p>1995 Sportage:</p> <p>Bearing ..... 6202-2ZJ</p> <p><b>Rear Axle</b></p> <p>1995 Sportage:</p> <p>Bearing ..... 32008-X</p> <p><b>Clutch</b></p> <p><b>Pilot</b></p> <p>1995 Sportage:</p> <p>Bearing ..... 6202-2ZJ</p> <p><b>Release</b></p> <p>1995 Sportage:</p> <p>Bearing Assembly ..... N4034</p> <p><b>Transfer Case</b></p> <p><b>Rear Output Shaft</b></p> <p>1995 Sportage:</p> <p>Seal ..... ↯16013</p> <p>(Superseded by:.....).....16413</p>	<p><b>Transmission-Automatic</b></p> <p><b>Front Pump</b></p> <p>1995 Sportage:</p> <p>Seal .....14772</p> <p>(Speedi-Sleeve) ..... 99147</p> <p><b>Rear</b></p> <p>1995 Sportage:</p> <p>Seal .....17930</p> <p>(Speedi-Sleeve) ..... 99181</p> <p><b>Transmission-Manual</b></p> <p><b>Front</b></p> <p>1995 Sportage:</p> <p>Seal .....11669</p> <p>(Speedi-Sleeve) ..... 99114</p> <p><b>Rear</b></p> <p>1995 Sportage:</p> <p>Seal .....14790</p> <p><b>Alternator</b></p> <p>1995 Sportage:</p> <p>Bearing (Rear) ..... AB4</p> <p><b>Engine</b></p> <p><b>Camshaft</b></p> <p>1995 Sportage w/DOHC Eng.:</p> <p>Seal .....13429</p> <p>(Speedi-Sleeve) ..... 99134</p> <p>1995 Sportage w/SOHC Eng.:</p> <p>Seal .....13429</p> <p>(Speedi-Sleeve) ..... 99134</p> <p><b>Crankshaft-Rear</b></p> <p>1995 Sportage:</p> <p>Seal .....35409</p> <p>(Speedi-Sleeve) ..... 99354</p> <p><b>Oil Pump</b></p> <p>1995 Sportage:</p> <p>Seal .....13429</p> <p>(Speedi-Sleeve) ..... 99134</p> <p><b>Timing Belt Idler</b></p> <p>1995 Sportage:</p> <p>Bearing &amp; Housing Assy. .... VKM84601</p> <p><b>Timing Belt Tensioner</b></p> <p>1995 Sportage:</p> <p>Bearing &amp; Housing Assy. .... VKM74600</p> <p>(Continued)</p>
---	---

# Passenger cars, light & medium trucks

## (Cont.) -- Kia Truck Sportage (thru 1995)

MFG./YEAR	MODEL & LOCATION	PART NO.	MFG./YEAR	MODEL & LOCATION	PART NO.
<b>Engine (Cont.)</b>					
<b>Timing Belt and Tensioner Kit</b>					
1995	Sportage:				
	Belt & Tensioner Kit .....	VKMA94601			
<b>Timing Cover</b>					
1995	Sportage w/2.0L Eng.:				
	Seal .....	13429			
	(Speedi-Sleeve) .....	99134			

## Lada (Canadian Models) 1500S, Samara, Signet

### Wheel Front

1993-1987	Samara & Signet:	
	Bearing .....	B35
1983-1978	1500S:	
	Seal .....	15522
	Bearing (Inner) .....	15579-X/BR15520
	Bearing (Outer) .....	BR2
	(Set Components) .....	LM11949/LM11910

### Wheel Rear

1993-1987	Samara & Signet:	
	Sealed Bearing .....	GRW120
1983-1978	1500S:	
	Seal .....	11592
	Bearing .....	6306-2RSJ

### Alternator

1983-1978	42 Amp.:	
	Bearing (Front) .....	6302-2RSJ
	Bearing (Rear) .....	6201-2RSJ

## Lada Trucks (Canadian Models) Niva

### Wheel Front

1993-1981	All:	
	Bearing .....	[2] 32008-X

### Transfer Case

#### Front Output Shaft

1991-1989	All:	
	Bearing .....	6305-J

#### Rear Output Shaft

1991-1989	All:	
	Bearing .....	6305-J

### Alternator

1993-1981	All:	
	Bearing (Rear) .....	6201-2RSJ

## Lancia

### Transaxle-Manual

#### Output Shaft

1978-1975	1800 Coupe, Sed., HPE & Scorpion:	
	Seal (R.H.) .....	13949
	(Speedi-Sleeve) (R.H.) .....	99139

### Transmission-Manual

#### Front

1978-1975	1800 Coupe, Sed., HPE & Scorpion w/5 Spd. Trans.:	
	Seal .....	10958
	(Speedi-Sleeve) .....	99111

### Engine

#### Auxiliary Shaft

1979-1975	All:	
	Seal .....	11640
	(Speedi-Sleeve) .....	99114

#### Crankshaft-Rear

1978-1975	1800 Coupe, Sed. & HPE Thru Ser. 89586:	
	Seal .....	27740
	(Speedi-Sleeve) .....	99276

#### Timing Belt Tensioner

1995-1994	KAPPA:	
	Bearing & Housing Assy. ....	VKM22541

#### Timing Cover

1979-1975	All:	
	Seal .....	15826
	(Speedi-Sleeve) .....	99157

**Lexus (FWD)**

MFG./YEAR	MODEL & LOCATION	PART NO.	MFG./YEAR	MODEL & LOCATION	PART NO.
<b>Wheel Front</b>			<b>Transaxle-Manual (Cont.)</b>		
1995-1992	ES300:		<b>Output Shaft</b>		
	Sealed Bearing .....	FW153	1993-1990	ES250 & ES300:	
1991-1990	ES250:			Seal (L.H.) .....	15669
	Seal (Inner) .....	22033		Seal (R.H.) .....	19578
	Seal (Outer) .....	20455		(Speedi-Sleeve) (R.H.) .....	99196
	Seal Kit .....	22075	<b>Alternator</b>		
	Bearing .....	FW114	1995-1992	ES300 w/80 Amp.:	
	C-Clip .....	CIR114		Bearing (Rear) .....	6302-2RSJ
<b>Wheel Rear</b>			1991-1990	ES250 w/80 Amp.:	
1995-1992	ES300 w/ABS:			Bearing (Front) .....	AB1
	Sealed Bearing .....	GRW168		Bearing (Rear) .....	6302-2RSJ
	Hub Assembly .....	BR930370	<b>Engine</b>		
1993-1992	ES300 w/o ABS:		<b>Camshaft</b>		
	Sealed Bearing .....	GRW168	1995-1990	All:	
	Hub Assembly .....	BR930371		Seal .....	14713
1991-1990	ES250:			(Speedi-Sleeve) .....	99147
	Seal .....	550237	<b>Crankshaft-Rear</b>		
	Bearing .....	GRW166	1995-1992	ES300 & ES330:	
<b>Clutch</b>				Seal .....	36005
<b>Release</b>				(Speedi-Sleeve) .....	99360
1993-1992	ES300:		1991-1990	ES250:	
	Bearing Assembly .....	N4102		Seal .....	36005
1991-1990	ES250:			(Speedi-Sleeve) .....	99360
	Bearing Assembly .....	N4085	<b>Timing Belt Idler</b>		
<b>Transaxle-Automatic</b>			1995-1993	ES300 & ES330:	
<b>Front Pump</b>				Bearing & Housing Assy. ....	VKM81000
1995-1992	ES300:		<b>Timing Belt Tensioner</b>		
	Seal .....	14772	1995-1993	ES300 & ES330:	
	(Speedi-Sleeve) .....	99147		Bearing & Housing Assy. ....	VKM71004
<b>Output Shaft</b>			<b>Timing Belt and Tensioner Kit</b>		
1995-1990	ES250 & ES300:		1995-1994	ES300:	
	Seal (L.H.) .....	15888		Belt & Tensioner Kit .....	VKMA91011
	Seal (R.H.) .....	19578	1993-1992	ES300:	
	(Speedi-Sleeve) (R.H.) .....	99196		Belt & Tensioner Kit .....	VKMA91001
<b>Shift Shaft</b>			1991-1990	ES250 w/2.5L Eng.:	
1995-1990	ES250 & ES300:			Belt & Tensioner Kit .....	VKMA91014
	Seal .....	4707	<b>Timing Cover</b>		
	(Speedi-Sleeve) .....	99049	1995-1990	All:	
<b>Transaxle-Manual</b>				Seal .....	15818
<b>Differential</b>				(Speedi-Sleeve) .....	99157
1993-1992	ES300:				
	Bearing (R.H.) .....	BR30210			
1991-1990	ES250:				
	Bearing (R.H.) .....	BR30210			
<b>Input Shaft</b>					
1993-1990	ES250 & ES300:				
	Seal .....	12250			
	(Speedi-Sleeve) .....	99049			
	Bearing (Front) .....	MR3058-EV			
	Bearing (Rear) .....	6307-VSP33			



MFG./YEAR	MODEL & LOCATION	PART NO.	MFG./YEAR	MODEL & LOCATION	PART NO.
<b>Wheel Front</b>			<b>Transmission-Automatic (Cont.)</b>		
1995-1990 All:			<b>Rear Extension</b>		
	Seal .....	19709	1995-1992 SC300:		
	Bearing .....	FW149		Seal .....	15700
<b>Wheel Rear</b>				(Speedi-Sleeve) .....	99157
1995-1992 SC300 & SC400:			1995-1992 SC400:		
	Seal (Inner) .....	24800		Seal .....	16531
	Seal (Outer) .....	22250		(Speedi-Sleeve) .....	99169
	Bearing .....	GRW132	<b>Shift Shaft</b>		
1995-1990 LS400:			1995-1990 All:		
	Seal (Inner) .....	24800		Seal .....	4707
	Seal (Outer) .....	22250		(Speedi-Sleeve) .....	99049
	Bearing .....	GRW132	<b>Transmission-Manual</b>		
1995-1993 GS300:			<b>Front</b>		
	Seal (Inner) .....	24800	1995-1992 SC300:		
	Seal (Outer) .....	22250		Seal .....	11622
	Bearing .....	GRW132		(Speedi-Sleeve) .....	99114
<b>Axle Shaft</b>			<b>Rear</b>		
1995	GS300, GS400, SC300 & SC400:		1995-1992 SC300:		
	Seal .....	18513		Seal .....	14753
1995	LS400:			(Speedi-Sleeve) .....	99147
	Seal .....	18505	<b>Drive Shaft</b>		
<b>Pinion</b>			1995-1993 GS300:		
<b>Rear Axle</b>				Bearing & Support .....	HB1720-10
1995	GS300, LS400, SC300		1995-1992 SC300:		
	& SC400 From 8/95:			Bearing & Support .....	HB1710-10
	Seal .....	17803	1995-1992 SC400:		
1995-1992	GS300, SC300 & SC400 Thru 7/95:			Bearing & Support .....	HB1710-10
	Seal .....	17803	1995-1992 LS400:		
	Bearing (Front) .....	HM88649/HM88610		Bearing & Support .....	HB1720-10
<b>Differential</b>			<b>Engine</b>		
<b>Rear Axle</b>			<b>Camshaft</b>		
1995-1993	GS300:		1995-1992 GS300 & SC300:		
	Seal .....	18513		Seal .....	15910
1995-1992	SC300 & SC400:		1995-1990 LS400 & SC400:		
	Seal .....	18513		Seal .....	14713
1995-1990	LS400:			(Speedi-Sleeve) .....	99147
	Seal .....	18505	<b>Crankshaft-Rear</b>		
<b>Clutch</b>			1995-1993 GS300:		
<b>Pilot</b>				Seal .....	36005
1995-1992	SC300:			(Speedi-Sleeve) .....	99360
	Bearing .....	6201-2RSJ	1995-1990 LS400, SC300 & SC400:		
<b>Release</b>				Seal .....	37795
1995-1992	SC300 & SC400:		<b>Oil Pump</b>		
	Bearing Assembly .....	N4099	1995-1990 LS400 & SC400:		
<b>Transmission-Automatic</b>				Seal .....	15822
<b>Front Pump</b>				(Speedi-Sleeve) .....	99157
1995-1990	All:		<b>Timing Belt Idler</b>		
	Seal .....	14772	1995-1990 LS400, SC300, SC400:		
	(Speedi-Sleeve) .....	99147		Bearing & Housing Assy. ....	VKM81005
<b>Rear</b>			<b>Timing Belt Tensioner</b>		
1995-1993	GS300 & GS400:		1995-1992 3.0L Eng.:		
	Seal .....	16531		Bearing & Housing Assy. ....	VKM71010
	(Speedi-Sleeve) .....	99169	1995-1990 LS400, SC300, SC400:		
1995-1990	LS400:			Bearing & Housing Assy. ....	VKM71008
	Seal .....	16531	(Continued)		
	(Speedi-Sleeve) .....	99169			

**Lexus (RWD) -- (Cont.)**

MFG./YEAR	MODEL & LOCATION	PART NO.	MFG./YEAR	MODEL & LOCATION	PART NO.
<b>Engine (Cont.)</b>					
<b>Timing Cover</b>					
1995-1992 GS300 & SC300:					
	Seal .....	18014			
	(Speedi-Sleeve) .....	99181			

**Lincoln (FWD) Continental (from 1988)**

<b>Wheel Front</b>	
1995 All:	
Hub Assembly .....	BR930179
1994-1992 All:	
Sealed Bearing .....	FW115
C-Clip .....	CIR115
Hub Assembly (Kit) .....	BR930152K
1991-1988 All:	
Sealed Bearing .....	FW115
C-Clip .....	CIR115
Hub Assembly (Kit) .....	BR930151K
<b>Axle Shaft</b>	
1995-1990 All:	
Seal .....	16901
<b>Wheel Rear</b>	
1995-1993 All:	
Hub Assembly .....	BR930107
1992-1989 All:	
Hub Assembly .....	BR930105
1989-1988 Thru 8/89:	
Seal .....	19221
Bearing (Inner) .....	BR6
(Set Components) .....	LM67048/LM67010
Bearing (Outer) .....	BR12
(Set Components) .....	LM12749/LM12710
<b>Transaxle-Automatic</b>	
<b>Differential</b>	
1989-1988 All:	
Bearing .....	[2] 6208-J
<b>Input Shaft</b>	
1995-1988 All:	
Seal .....	19730
<b>Output Shaft</b>	
1995-1988 All:	
Seal .....	16901
(Speedi-Sleeve) .....	99169
<b>Air Conditioning Compressor</b>	
1995-1990 FX-15 Comp.:	
Bearing .....	5106-WCC

<b>Alternator</b>	
1990-1988 Motorcraft:	
Bearing (Front) .....	6203-2RSJ
Bearing (Rear) .....	MNJ471-S
<b>Engine</b>	
<b>Crankshaft-Rear</b>	
1995-1988 All:	
Seal .....	36147
(Speedi-Sleeve) .....	99362
<b>Timing Cover</b>	
1995 281 (4.6L) Eng.:	
Seal .....	18757
(Speedi-Sleeve) .....	99187
1994 All:	
Seal .....	18577
(Speedi-Sleeve) .....	99187
1993-1988 All:	
Seal (Viton) .....	18544
Seal .....	18548
(Speedi-Sleeve) .....	99187
(Speedi-Sleeve/Seal Kit) .....	480185
<b>Steering-Power</b>	
<b>Pump Shaft</b>	
1994-1988 All:	
Seal .....	6765
<b>Worm Shaft</b>	
1995 All:	
Bearing .....	6201-2RSJ
1994-1988 All:	
Bearing .....	6201-2RSJ

**Lincoln (RWD) Continental (thru 1987), Cosmopolitan, Mark III,IV,V,VI,VII,VIII, Premiere, Town Car**

<b>Wheel Front</b>	
1995-1993 Mark:	
Hub Assembly .....	BR930048
1995-1991 Town Car:	
Hub Assembly .....	BR930060

<b>Wheel Front (Cont.)</b>	
1992-1984 Mark:	
Seal .....	19223
Bearing (Inner) .....	BR5
(Set Components) .....	LM48548/LM48510
Bearing (Outer) .....	BR12
(Set Components) .....	LM12749/LM12710
(Continued)	

Passenger cars, light & medium trucks

(Cont.) -- Lincoln (RWD) Continental (thru 1987), Cosmopolitan, Mark III,IV,V,VI,VII,VIII, Premiere, Town Car

MFG./YEAR	MODEL & LOCATION	PART NO.	MFG./YEAR	MODEL & LOCATION	PART NO.
<b>Wheel Front (Cont.)</b>			<b>Wheel Rear (Cont.)</b>		
<b>1990-1982 Town Car:</b>			<b>1995-1990 Mark:</b>		
	Seal .....	19221		Seal .....	13992
	Bearing (Inner) .....	BR11		Sealed Bearing .....	FW115
	(Set Components) .....	JL69349/JL69310		C-Clip .....	CIR115
	Bearing (Outer) .....	BR12	<b>1989-1980 All:</b>		
	(Set Components) .....	LM12749/LM12710		Seal .....	13992
<b>1987-1982 Continental:</b>				Bearing .....	R1563-TAV
	Seal .....	19223		(Axle Repair Brg. Assy.) .....	• R1563
	Bearing (Inner) .....	BR5	<b>1979-1978 Ball Brg. Type w/Disc Brks.:</b>		
	(Set Components) .....	LM48548/LM48510		Seal .....	15142
	Bearing (Outer) .....	BR12		Bearing w/Lock Ring .....	88128-RB
	(Set Components) .....	LM12749/LM12710	<b>1978 Ball Brg. Type w/Drum Brks. From 2/1/78:</b>		
<b>1983-1982 Mark:</b>				Seal .....	15142
	Seal .....	19221		Bearing w/Lock Ring .....	88128-RA
	Bearing (Inner) .....	BR11	<b>1977-1974 Roller Brg. Type Thru 2/1/77:</b>		
	(Set Components) .....	JL69349/JL69310		Seal .....	18881
	Bearing (Outer) .....	BR12		Bearing .....	BR20
	(Set Components) .....	LM12749/LM12710	<b>1973 All:</b>		
<b>1981-1974 All:</b>				Seal .....	15142
	Seal .....	19221		Bearing w/Lock Ring .....	88128-RB
	Bearing (Inner) .....	BR11	<b>1972 Mark:</b>		
	(Set Components) .....	JL69349/JL69310		Seal .....	14968
	Bearing (Outer) .....	BR12		Sealed Bearing w/Lock Ring .....	RW207-CCRA
	(Set Components) .....	LM12749/LM12710	<b>1972-1970 Exc. Mark:</b>		
<b>1973-1970 All:</b>				Seal .....	15142
	Seal .....	19221		Sealed Bearing w/Lock Ring .....	88128-R
	Bearing (Inner) .....	BR13	<b>1971-1969 Mark:</b>		
	(Set Components) .....	L68149/L68110		Seal .....	15142
	Bearing (Outer) .....	BR12		Sealed Bearing w/Lock Ring .....	88128-R
	(Set Components) .....	LM12749/LM12710	<b>1969-1961 Exc. Mark:</b>		
<b>1969 Mark:</b>				Seal .....	15960
	Seal .....	19221		Bearing w/Lock Ring .....	RW509-FR
	Bearing (Inner) .....	BR6	<b>1960-1949 All:</b>		
	(Set Components) .....	LM67048/LM67010		Seal .....	15142
	Bearing (Outer) .....	BR2		Sealed Bearing w/Lock Ring .....	88128-R
	(Set Components) .....	LM11949/LM11910	<b>1947-1939 Continental:</b>		
<b>1969-1961 Exc. Mark:</b>				Seal (Outer) .....	20538
	Seal .....	19223	<b>Axle Shaft</b>		
	Bearing (Inner) .....	BR5	<b>1995-1980 7.50", 8.50" &amp; 8.80" Ring Gears:</b>		
	(Set Components) .....	LM48548/LM48510		Seal .....	16262
	Bearing (Outer) .....	BR3	<b>Pinion</b>		
	(Set Components) .....	M12649/M12610	<b>1995-1980 All:</b>		
<b>1960-1958 All:</b>				Seal .....	18136
	Bearing (Inner) .....	BR5		(Speedi-Sleeve) .....	99181
	(Set Components) .....	LM48548/LM48510		Bearing (Front) .....	BR52
	Bearing (Outer) .....	BR3		(Set Components) .....	M88048/M88010
	(Set Components) .....	M12649/M12610		Bearing (Rear) .....	M802048/M802011
<b>1957-1949 All:</b>			<b>1979-1973 All:</b>		
	Bearing (Inner) .....	BR14130/BR14276		Seal .....	18833
	Bearing (Outer) .....	BR12580/BR12520		(Speedi-Sleeve) .....	99181
				Bearing .....	[2] BR52
				(Set Components) .....	M88048/M88010
				Bearing (Pilot) .....	R1535-TAV
<b>Wheel Rear</b>			<b>1972-1966 All:</b>		
<b>1995-1990 Limo:</b>				Seal .....	18833
	Seal .....	◇16044		(Speedi-Sleeve) .....	99181
	(Superseded by) .....	16404		Bearing (Front) .....	BR52
	Bearing .....	R1559-TV		(Set Components) .....	M88048/M88010
	(Axle Repair Brg. Assy.) .....	• R1559		Bearing (Rear) .....	HM89444/HM89410
<b>1995-1990 Town Car Exc. Limo:</b>					(Continued)
	Seal .....	13992			
	Bearing .....	R1563-TAV			
	(Axle Repair Brg. Assy.) .....	• R1563			

**Lincoln (RWD) Continental (thru 1987), Cosmopolitan, Mark III,IV,V,VI,VII,VIII, Premiere, Town Car -- (Cont.)**

MFG./YEAR	MODEL & LOCATION	PART NO.	MFG./YEAR	MODEL & LOCATION	PART NO.
<b>Pinion (Cont.)</b>			<b>Transmission-Automatic (Cont.)</b>		
<b>1965-1964 All:</b>			<b>Rear (Cont.)</b>		
	Seal	18888	<b>1994-1990 Town Car:</b>		
	(Speedi-Sleeve)	99187		Seal	14978
	Bearing (Front)	HM88542/HM88510		(Speedi-Sleeve)	99149
	Bearing (Rear)	BR3877/BR3820		(Speedi-Sleeve/Seal Kit)	480148
<b>1963-1949 All:</b>			<b>1992-1980 AOD Trans.:</b>		
	Seal	15788		Seal	14978
	(Speedi-Sleeve)	99155		(Speedi-Sleeve)	99149
	Bearing (Front)	BR02872/BR02820		(Speedi-Sleeve/Seal Kit)	480148
	Bearing (Rear)	BR3877/BR3820		Seal & Bushing Kit	14982
<b>Differential</b>			<b>1985-1984 ZF Trans.:</b>		
<b>1995-1980 8.50" &amp; 8.80" Ring Gears:</b>				Seal	13685
	Bearing	BR36		(Speedi-Sleeve)	99138
	(Set Components)	LM603049/LM603012	<b>1979-1969 All:</b>		
<b>1995-1982 7.50" Ring Gear:</b>				Seal	16725
	Bearing	[2] BR72		Seal & Bushing Kit	16727
	(Set Components)	LM501349/LM501314		(Speedi-Sleeve)	99168
	Bearing (Pilot)	BH4015		(Speedi-Sleeve/Seal Kit)	480168
<b>1979-1973 All:</b>			<b>1968-1966 All:</b>		
	Bearing	[2] BR50		Seal	22382
	(Set Components)	LM102949/LM102910		(Speedi-Sleeve)	99225
<b>1972 w/o H.D.:</b>			<b>1965-1961 All:</b>		
	Bearing	[2] BR50		Seal	22394
	(Set Components)	LM102949/LM102910		(Speedi-Sleeve)	99225
<b>1972-1966 H.D.:</b>			<b>1960-1949 All:</b>		
	Bearing	[2] BR25590/BR25520		Seal (w/o Boot)	16725
<b>1965-1949 All:</b>				Seal (w/Boot)	16871
	Bearing	[2] BR25590/BR25527		(Speedi-Sleeve) (w/Boot)	99168
				(Speedi-Sleeve) /Seal Kit (w/Boot)	480168
<b>Kit</b>			<b>Shift Shaft</b>		
<b>1995-1980 8.80" Ring Gear:</b>			<b>1995-1993 AOD-E &amp; 4R70W Trans.:</b>		
	Standard Seal and Bearing Kit Rear	SDK311		Seal	7556
	Master Seal and Bearing Kit Rear	SDK311-MK		(Speedi-Sleeve)	99076
<b>1987-1984 7.50" Ring Gear:</b>			<b>1992-1973 w/o ZF Trans.:</b>		
	Standard Seal and Bearing Kit Rear	SDK315		Seal (Inner)	7556
<b>1979-1970 9.00" 31 spline STSP 5/11/1970 Ring Gear:</b>				(Speedi-Sleeve) (Inner)	99076
	Standard Seal and Bearing Kit Rear	SDK313		Seal (Outer)	3632
<b>Transmission-Automatic</b>			<b>Air Conditioning Clutch</b>		
<b>Front Pump</b>			<b>1995-1990 FX-15 Comp.:</b>		
<b>1995-1992 AOD-E &amp; 4R70W Trans.:</b>				Bearing	5106-WCC
	Seal	19799	<b>1995-1980 Nippondenso Comp.:</b>		
	(Reorder:)	+20031		Bearing	AC1
	(Speedi-Sleeve)	99196	<b>1990-1971 Swash Plate From 1/22/71:</b>		
<b>1991-1966 w/o ZF Trans.:</b>				Bearing	5908-VAW
	Seal	19807	<b>1971-1958 Thru 1/21/71:</b>		
	(Speedi-Sleeve)	99199		Bearing	5106-WCC
	(Speedi-Sleeve/Seal Kit)	480198	<b>Alternator</b>		
<b>1985-1984 ZF Trans.:</b>			<b>1995-1993 Mark:</b>		
	Seal	15803		Bearing (Front)	AB1
	(Speedi-Sleeve)	99157	<b>1992-1991 Mark:</b>		
<b>1965-1955 All:</b>				Bearing (Front)	6203-2RSJ
	Seal	19240		Bearing (Rear)	MNJ471-S
	(Speedi-Sleeve)	99193	<b>1990-1963 All:</b>		
<b>1954-1949 All:</b>				Bearing (Front)	6203-2RSJ
	Seal	25950		Bearing (Rear)	MNJ471-S
<b>Rear</b>					(Continued)
<b>1995-1992 AODE-W/4R70W Trans.:</b>					
	Seal	15966			

# Passenger cars, light & medium trucks

## (Cont.) -- Lincoln (RWD) Continental (thru 1987), Cosmopolitan, Mark III,IV,V,VI,VII,VIII, Premiere, Town Car

MFG./YEAR	MODEL & LOCATION	PART NO.	MFG./YEAR	MODEL & LOCATION	PART NO.
<b>Engine</b>			<b>Engine (Cont.)</b>		
<b>Auxiliary Shaft</b>			<b>Timing Cover (Cont.)</b>		
1985-1984	149 (2.4L) Diesel Eng.:		1978-1973	460 (7.5L) Eng.:	
	Seal (Viton) .....	14703		Seal (Viton) .....	18546
	Seal .....	14716		Seal .....	18562
	(Speedi-Sleeve) .....	99147		(Speedi-Sleeve) .....	99187
				(Speedi-Sleeve/Seal Kit) .....	480186
<b>Camshaft</b>			<b>1972-1961 All:</b>		
1985-1984	149 (2.4L) Diesel Eng.:			Seal (Viton) .....	18546
	Seal (Viton) .....	14703		Seal .....	18562
	Seal .....	14716		(Speedi-Sleeve) .....	99187
	(Speedi-Sleeve) .....	99147		(Speedi-Sleeve/Seal Kit) .....	480186
<b>Crankshaft-Rear</b>			<b>1960-1949 All:</b>		
1995-1991	280 (4.6L) Eng.:			Seal (Viton) .....	18546
	Seal .....	36147		Seal .....	18562
	(Speedi-Sleeve) .....	99362		(Speedi-Sleeve) .....	99187
				(Speedi-Sleeve/Seal Kit) .....	480186
1992-1983	302 (5.0L) Eng. From 12/82:		<b>Generator</b>		
	Seal .....	36147	1969-1965	All:	
	(Speedi-Sleeve) .....	99362		Bearing (Front) .....	6203-2RSJ
				Bearing (Rear) .....	6200-2RSJ
1985-1984	149 (2.4L) Diesel Eng.:		<b>Steering-Power</b>		
	Seal .....	35412	<b>Housing</b>		
	(Speedi-Sleeve) .....	99354	1964-1961	All:	
1983-1980	230 (3.8L) & 302 (5.0L) Engs. Thru 11/82:			Seal .....	8782
	Seal (Rope) .....	196	<b>Pitman Shaft</b>		
	Seal (Rubber) .....	205	1964-1958	All:	
1980-1977	351 W (5.8L) & 400 (6.6L) Engs.:			Seal .....	12360
	Seal (Rope) .....	196	<b>Pump Shaft</b>		
	Seal (Rubber) .....	211	1995-1991	Mark:	
1978-1973	460 (7.5L) Eng.:			Seal .....	6765
	Seal (Rope) .....	196	1990-1980	All:	
	Seal (Rubber) .....	201		Seal .....	6765
1972-1969	All:		1979-1973	All:	
	Seal (Rope) .....	196		Seal .....	7475
	Seal (Rubber) .....	201	1971-1969	All:	
<b>Accessory Drive Belt Idler</b>				Seal .....	6765
1989-1986	V8 Eng.:		<b>Worm Shaft</b>		
	Bearing (Pulley) .....	VKM900022	1995-1984	Mark:	
<b>Timing Cover</b>				Seal .....	8178
1995-1991	280 (4.6L) Eng.:			Bearing .....	6201-2RSJ
	Seal .....	18757	1987-1982	Continental:	
	(Speedi-Sleeve) .....	99187		Bearing .....	6201-2RSJ
1992-1977	230 (3.8L), 302 (5.0L), 351 W (5.8L) & 400 (6.6L) Engs.:		1983-1980	Mark:	
	Seal (Viton) .....	18544		Seal .....	8178
	Seal .....	18548	1981-1980	Continental:	
	(Speedi-Sleeve) .....	99187		Seal .....	8178
	(Speedi-Sleeve/Seal Kit) .....	480185			
1985-1984	149 (2.4L) Diesel Eng.:				
	Seal .....	18877			
	(Speedi-Sleeve) .....	99189			

## Lincoln (RWD) Versailles

MFG./YEAR	MODEL & LOCATION	PART NO.	MFG./YEAR	MODEL & LOCATION	PART NO.
<b>Wheel Front</b>			<b>Alternator</b>		
1980-1977 All:			1980-1977 All:		
Seal		19221	Bearing (Front)		6203-2RSJ
Bearing (Inner)		BR13	Bearing (Rear)		MNJ471-S
(Set Components)		L68149/L68110	<b>Engine</b>		
Bearing (Outer)		BR12	<b>Crankshaft-Rear</b>		
(Set Components)		LM12749/LM12710	1980-1977 255 (4.2L) & 302 (5.0L) Engs.:		
<b>Wheel Rear</b>			Seal (Rope)		
1980-1977 All:			Seal (Rubber)		
Seal (Inner)		15142	1977 351 (5.8L) Eng.:		
Seal (Outer)		19773	Seal (Rope)		
Bearing w/Lock Ring		88128-RA	Seal (Rubber)		
<b>Pinion</b>			<b>Timing Cover</b>		
1980-1977 All:			1980-1979 All:		
Seal		18833	Seal (Viton)		
(Speedi-Sleeve)		99181	Seal		
Bearing		[2] BR52	(Speedi-Sleeve)		
(Set Components)		M88048/M88010	(Speedi-Sleeve/Seal Kit)		
Bearing (Pilot)		R1535-TAV	1978-1977 All:		
<b>Differential</b>			Seal (Viton)		
1980-1977 All:			Seal		
Bearing		[2] BR50	(Speedi-Sleeve)		
(Set Components)		LM102949/LM102910	(Speedi-Sleeve/Seal Kit)		
<b>Kit</b>			<b>Steering-Power</b>		
1980-1977 9.00 " Ring Gear:			<b>Pitman Shaft</b>		
Standard Seal and Bearing Kit Rear		SDK313	1980-1977 All:		
<b>Transmission-Automatic</b>			Seal		
<b>Front Pump</b>			Bearing		
1980-1977 All:			<b>Pump Shaft</b>		
Seal		19807	1980-1977 All:		
(Speedi-Sleeve)		99199	Seal		
(Speedi-Sleeve/Seal Kit)		480198			
<b>Rear</b>					
1980-1977 All:					
Seal		14978			
(Speedi-Sleeve)		99149			
(Speedi-Sleeve/Seal Kit)		480148			
<b>Shift Shaft</b>					
1980-1977 All:					
Seal		7556			
(Speedi-Sleeve)		99076			

## Lotus

<b>Wheel Front</b>			<b>Pinion</b>		
1990-1964 Exc. Esprit:			1979-1976 Eclat & Elite:		
Bearing (Inner)		BR4	Bearing (Front)		
(Set Components)		L44649/L44610	Bearing (Rear)		
Bearing (Outer)		BR2	1974-1967 Elan:		
(Set Components)		LM11949/LM11910	Bearing (Front)		
1980-1976 Esprit:			Bearing (Rear)		
Bearing (Inner)		BR8	1981-1976 Esprit:		
(Set Components)		L45449/L45410	Bearing		
Bearing (Outer)		BR1	1979-1976 Eclat & Elite:		
(Set Components)		LM11749/LM11710	Bearing		
<b>Wheel Rear</b>			1975-1967 Europa:		
1975-1967 Elan & Europa:			Bearing		
Bearing (Outer)		6206-2RSJ	(Continued)		

MFG./YEAR	MODEL & LOCATION	PART NO.	MFG./YEAR	MODEL & LOCATION	PART NO.
<b>Transmission-Automatic</b>					
<b>Front Pump</b>					
1979-1976 Eclat & Elite w/BW65 Trans.:					
	Seal .....	16696			
	(Speedi-Sleeve) .....	99168			

**Maserati**

**Wheel Front**

<b>1987-1985 Biturbo &amp; Spyder:</b>	
Bearing .....	[2] BR6
(Set Components) .....	LM67048/LM67010
<b>1985-1979 Quattroporte:</b>	
Bearing (Inner) .....	BR6
(Set Components) .....	LM67048/LM67010
Bearing (Outer) .....	BR2
(Set Components) .....	LM11949/LM11910
<b>1980-1978 Kyalami:</b>	
Bearing (Inner) .....	BR6
(Set Components) .....	LM67048/LM67010
Bearing (Outer) .....	BR2
(Set Components) .....	LM11949/LM11910
<b>1979-1977 Khamsin:</b>	
Bearing (Inner) .....	BR15123/BR15245
Bearing (Outer) .....	BR09067/BR09195

**Wheel Rear**

<b>1987-1985 Biturbo &amp; Spyder:</b>	
Bearing (Outer) .....	LM300849/LM300811
<b>1985-1979 Quattroporte:</b>	
Bearing (Inner) .....	JLM506849/JLM506810
Bearing (Outer) .....	JLM104948/JLM104910
<b>1980-1978 Kyalami:</b>	
Bearing (Inner) .....	JLM506849/JLM506810
Bearing (Outer) .....	JLM104948/JLM104910

**Pinion**

<b>1987-1985 Biturbo &amp; Spyder:</b>	
Bearing (Front) .....	M86649/M86610
Bearing (Rear) .....	HM88649/HM88610

**Pinion (Cont.)**

<b>1979-1977 Khamsin:</b>	
Bearing (Front) .....	M88043/M88010
Bearing (Rear) .....	HM89446/HM89410

**Differential**

<b>1987 Spyder:</b>	
Bearing .....	LM501349/LM501311
<b>1987-1985 Biturbo:</b>	
Bearing .....	BR35
(Set Components) .....	LM501349/LM501310
<b>1982-1977 Merak:</b>	
Bearing .....	BR30208
<b>1980-1978 Kyalami:</b>	
Bearing .....	BR25577/BR25523
<b>1980-1977 Bora:</b>	
Bearing .....	BR25590/BR25520
<b>1979-1977 Khamsin:</b>	
Bearing .....	BR25577/BR25523

**Mazda Passenger (FWD)**

**Wheel Front**

<b>1995-1993 MX-6 &amp; 626:</b>	
Seal .....	22454
Sealed Bearing .....	FW166
<b>1995-1989 MX-3 Hatchback &amp; Protege; 323 Hatchback &amp; Sed. From 5/89:</b>	
Seal .....	22454
Sealed Bearing .....	GRW237
<b>1995 Millenia w/2.3L Eng.:</b>	
Seal .....	24441
Sealed Bearing .....	GRW234
<b>1995 Millenia w/2.5L Eng.:</b>	
Seal .....	22454
Bearing .....	FW166
<b>1992-1988 MX-6 &amp; 626:</b>	
Seal .....	22454
Sealed Bearing .....	FW127
C-Clip .....	CIR127

**Wheel Front (Cont.)**

<b>1989-1981 GLC; 323 Thru 4/89:</b>	
Seal (Inner) .....	20427
Seal (Outer) .....	20205
Bearing .....	[2] BR11
(Set Components) .....	JL69349/JL69310
<b>1987-1983 626:</b>	
Seal .....	19793
Sealed Bearing .....	FW113
C-Clip .....	CIR113

**Wheel Rear**

<b>1995 Millenia:</b>	
Hub Assembly .....	BR930118
<b>1995-1989 Protege; 323 Hatchback &amp; Sed. From 5/89 w/o A.W.D. &amp; ABS:</b>	
Hub Assembly .....	BR930043
<b>1995-1993 MX-6 &amp; 626 w/o ABS:</b>	
Hub Assembly .....	BR930119

(Continued)

**Mazda Passenger (FWD) -- (Cont.)**

MFG./YEAR	MODEL & LOCATION	PART NO.	MFG./YEAR	MODEL & LOCATION	PART NO.
<b>Wheel Rear (Cont.)</b>			<b>Clutch</b>		
1995-1993	MX-6 & 626 w/ABS:		<b>Pilot</b>		
	Hub Assembly .....	BR930118	1995-1981	All:	
1995-1992	MX-3 w/o ABS:			Bearing .....	6202-2ZJ
	Hub Assembly .....	BR930043	<b>Release</b>		
1995-1992	MX-3 w/ABS:		1995-1993	MX-6 & 626 w/5 Spd. Transaxle:	
	Hub Assembly .....	BR930243		Bearing Assembly .....	N4058
1992-1988	MX-6 & 626 w/o 4 W/S:		1995-1989	Protege w/1.6L Eng.: 323 w/o DOHC & A.W.D.:	
	Seal .....	16548		Bearing Assembly .....	N4115
	Sealed Bearing .....	GRW154	1995-1992	MX-3 w/1.6L Eng.:	
	C-Clip .....	CIR154		Bearing Assembly .....	N4115
1992-1988	MX-6 & 626 w/4 W/S:		1994-1992	MX-3 w/1.8L Eng.:	
	Seal .....	18458		Bearing Assembly .....	N4058
	Sealed Bearing .....	GRW172	1993-1990	Protege & 323 w/DOHC w/o A.W.D.:	
1989	323 Hatchback w/A.W.D.:			Bearing Assembly .....	N4034
	Seal .....	22454	1992-1988	MX-6 & 626:	
	Sealed Bearing .....	GRW237		Bearing Assembly .....	N4034
1989-1988	323 GTX w/A.W.D.:		1989-1988	323 Hatchback & Sed. w/A.W.D.:	
	Seal (Inner) .....	20455		Bearing Assembly .....	N4081
	Seal (Outer) .....	20209	1988-1986	323 Wgn.; Sed. From 7/86:	
	Bearing .....	[2] BR11		Bearing Assembly .....	N4063
	(Set Components) .....	JL69349/JL69310	1987-1986	626 w/o Turbo:	
1989-1986	323 Hatchback & Sed. Thru 4/89 w/o A.W.D.:			Bearing Assembly .....	N4034
	Seal .....	15967	1987-1986	626 w/Turbo From Ser. 5B01:	
	Bearing (Inner) .....	BR8		Bearing Assembly .....	N4034
	(Set Components) .....	L45449/L45410	1986	323 Thru 6/86:	
	Bearing (Outer) .....	BR2		Bearing Assembly .....	N4032
	(Set Components) .....	LM11949/LM11910	1985-1983	626:	
1988	323 Wgn.:			Bearing Assembly .....	N4034
	Seal .....	18877	1985-1982	GLC Hatchback & Sed.:	
	Bearing (Inner) .....	BR15123/BR15245		Bearing Only .....	N4032
	Bearing (Outer) .....	BR2	1981-1980	GLC Wgn.:	
	(Set Components) .....	LM11949/LM11910		Bearing Only .....	N4033
1987-1984	626:		<b>Transaxle-Automatic</b>		
	Seal .....	15445	<b>Differential</b>		
	Bearing (Inner) .....	BR4	1995-1986	626:	
	(Set Components) .....	L44649/L44610		Bearing .....	32008-X
	Bearing (Outer) .....	BR2	1995-1986	MX-3, Protege & 323:	
	(Set Components) .....	LM11949/LM11910		Bearing .....	BR17
1985-1981	GLC Hatchback & Sed.:			(Set Components) .....	L68149/L68111
	Seal .....	15967	<b>Front Pump</b>		
	Bearing (Inner) .....	BR4	1995-1989	MX-3, Protege, 323 Hatchback & Sed.:	
	(Set Components) .....	L44649/L44610		Seal .....	26379
	Bearing (Outer) .....	BR1		(Speedi-Sleeve) .....	99266
	(Set Components) .....	LM11749/LM11710	1995-1986	MX-6 & 626:	
<b>Pinion</b>				Seal .....	26379
<b>Rear Axle</b>				(Speedi-Sleeve) .....	99266
1990-1989	323 Hatchback & Sed. w/A.W.D.:		1988-1986	323 Hatchback, Sed. & Wgn.:	
	Seal .....	13897		Seal .....	17736
	Bearing (Rear) .....	BR32206		(Speedi-Sleeve) .....	99177
<b>Differential</b>			1985-1981	GLC Hatchback, Sed. & 626:	
<b>Rear Axle</b>				Seal .....	17736
1985-1983	626:			(Speedi-Sleeve) .....	99177
	Bearing .....	32008-X	<b>Output Shaft</b>		
1985-1981	GLC Hatchback & Sed.:		1995-1983	GLC, MX-6, Protege, 323 & 626:	
	Bearing .....	BR17		Seal .....	14006
	(Set Components) .....	L68149/L68111		(Speedi-Sleeve) .....	99139
			(Continued)		



MFG./YEAR	MODEL & LOCATION	PART NO.	MFG./YEAR	MODEL & LOCATION	PART NO.
<b>Transaxle-Manual</b>			<b>Engine (Cont.)</b>		
<b>Differential</b>			<b>Camshaft (Cont.)</b>		
1995-1986	MX-3, Protege & 323 w/o Hard Suspension:		1992-1986	MX-6, 626 w/2.0L & 2.2L Engs.:	
	Bearing .....	BR17		Seal .....	13429
	(Set Components) .....	L68149/L68111		(Speedi-Sleeve) .....	99134
1995-1986	MX-3, Protege & 323 w/Hard Suspension; 626 w/o Turbo:		1985	626 w/Diesel Eng.:	
	Bearing .....	32008-X		Seal (Front) .....	11612
				(Speedi-Sleeve) (Front) .....	99114
<b>Input Shaft</b>				Seal (Rear) .....	12719
1995-1992	MX-3 & Protege w/o 1.8L Eng.:			(Speedi-Sleeve) (Rear) .....	99128
	Seal .....	9515	<b>Crankshaft-Rear</b>		
	(Speedi-Sleeve) .....	99092	1995-1993	2.0L Eng.:	
1995-1990	MX-3 & Protege w/1.8L Eng.; 323:			Seal .....	35407
	Seal .....	10661	1995-1993	2.3L & 2.5L Engs.:	
	(Speedi-Sleeve) .....	99106		Seal .....	↔29675
1995-1983	MX-6 & 626 w/o Turbo:			(Superseded by:).....	29676
	Seal .....	10640		(Speedi-Sleeve) .....	99298
	(Speedi-Sleeve) .....	99106	1995-1992	MX-3 & Protege w/1.8L Eng.:	
1989-1981	GLC & 323 Hatchback, Sed. & Wgn. w/o A.W.D.:			Seal .....	↔29675
	Seal .....	9515		(Superseded by:).....	29676
	(Speedi-Sleeve) .....	99092		(Speedi-Sleeve) .....	99298
<b>Output Shaft</b>			1995-1991	MX-3, Protege & 323 w/1.5L & 1.6L Engs.:	
1995-1981	Exc. 323 w/A.W.D.:			Seal .....	32715
	Seal .....	14006	1992-1986	MX-6 & 626 w/2.0L & 2.2L Engs.:	
	(Speedi-Sleeve) .....	99139		Seal .....	35409
1989	323 Hatchback & Sed. w/A.W.D.:			(Speedi-Sleeve) .....	99354
	Seal .....	14007	1990-1986	323 Hatchback, Sed. & Wgn. w/1.6L & 1.8L Engs.:	
<b>Alternator</b>				Seal .....	32715
1994-1992	MX-3 w/1.8L Eng.:		1985-1983	626:	
	Bearing .....	AB1		Seal .....	35409
1994-1990	MX-3 w/1.6L Eng.; Protege & 323:			(Speedi-Sleeve) .....	99354
	Bearing (Front) .....	6303-2RSJ	1985-1981	GLC Hatchback & Sed.:	
	Bearing (Rear) .....	BR32006		Seal .....	27725
1988-1986	Exc. 626:			(Speedi-Sleeve) .....	99276
	Bearing (Front) .....	6302-2RSJ	<b>Timing Belt Idler</b>		
1985	626 w/Diesel Eng.:		1995	Millenia w/2.5L Eng.:	
	Bearing (Front) .....	AB6		Bearing & Housing Assy. (Upper) .....	VKM84001
	Bearing (Rear) .....	6201-2RSJ		Bearing & Housing Assy. (Lower) .....	VKM84002
1985-1983	GLC Hatchback & Sed.:		1995	Millenia w/2.3L Eng.:	
	Bearing (Front) .....	6202-2ZJ		Bearing & Housing Assy. (Upper) .....	VKM84001
	Bearing (Rear) .....	6201-2RSJ		Bearing & Housing Assy. (Lower) .....	VKM84606
1985-1983	626 Exc. Diesel Eng.:		1995-1993	MX6 & 626 w/2.5 L Eng.:	
	Bearing (Front) .....	6302-2RSJ		Bearing & Housing Assy. (Upper) .....	VKM84002
	Bearing (Rear) .....	6201-2RSJ		Bearing & Housing Assy. (Lower) .....	VKM84001
1982-1981	GLC Hatchback & Sed.:		1995-1993	626 w/2.0L Eng.:	
	Bearing (Front) .....	6302-2RSJ		Bearing & Housing Assy. .....	VKM84600
	Bearing (Rear) .....	6201-2RSJ	1995-1990	323, MX-3 & Protege:	
<b>Engine</b>				Bearing & Housing Assy. .....	VKM84201
<b>Camshaft</b>			1995	Protege:	
1995-1993	2.0L Eng.:			Bearing & Housing Assy. .....	VKM84604
	Seal .....	13429	<b>Timing Belt Tensioner</b>		
	(Speedi-Sleeve) .....	99134	1995	2.5L Eng.:	
1995-1993	2.5L Eng.:			Bearing & Housing Assy. .....	VKM74000
	Seal .....	11612	1995-1993	626 & MX-6 w/2.0L Eng.:	
	(Speedi-Sleeve) .....	99114		Bearing & Housing Assy. .....	VKM74002
1995-1988	1.5L, 1.6L & 1.8L Engs. w/DOHC:		1995-1990	Protege w/1.5L & 1.8L DOHC Engs.:	
	Seal .....	13429		Bearing & Housing Assy. .....	VKM74201
	(Speedi-Sleeve) .....	99134	1995-1994	MX-3 w/1.6L Eng.:	
1995-1986	1.5L, 1.6L & 1.8L Engs. w/o DOHC:			Bearing & Housing Assy. .....	VKM74201
	Seal .....	11612	1995-1990	323 w/1.6L & 1.8L Eng.:	
	(Speedi-Sleeve) .....	99114		Bearing & Housing Assy. .....	VKM74200

(Continued)

**Mazda Passenger (FWD) -- (Cont.)**

MFG./YEAR	MODEL & LOCATION	PART NO.	MFG./YEAR	MODEL & LOCATION	PART NO.
<b>Engine (Cont.)</b>			<b>Engine (Cont.)</b>		
<b>Timing Belt Tensioner (Cont.)</b>			<b>Timing Belt and Tensioner Kit (Cont.)</b>		
1995-1990	Protege w/1.6L & 1.8L SOHC Engs.:		1993-1992	MX-3 w/1.6L Eng.:	
	Bearing & Housing Assy. ....	VKM74200		Belt & Tensioner Kit .....	VKMA44002
1994-1992	MX-3 w/1.8L Eng.:		1990-1989	323 w/1.6L Eng.:	
	Bearing & Housing Assy. ....	VKM74000		Belt & Tensioner Kit .....	VKMA94101
1993-1992	MX-3 w/1.6L Eng.:		<b>Timing Cover</b>		
	Bearing .....	VKM74200	1995-1992	MX-3, Protege & 323 w/1.5L & 1.6L Engs.:	
1992-1988	626 & MX6:			Seal .....	14477
	Bearing & Housing Assy. ....	VKM74600	1995-1993	2.0L & 2.5L Engs.:	
1987-1986	626 w/2.0L Eng.:			Seal .....	16889
	Bearing & Housing Assy. ....	VKM74001	1994-1992	MX-3 w/1.8L Eng.:	
1985-1984	626 w/Diesel Eng.:			Seal .....	16889
	Bearing & Housing Assy. ....	VKM74300	1992-1983	MX-6 & 626 w/2.0L & 2.2L Gas Engs.:	
1985-1983	626 & MX6:			Seal .....	13429
	Bearing & Housing Assy. ....	VKM74501		(Speedi-Sleeve) .....	99134
<b>Timing Belt and Tensioner Kit</b>			1990-1986	323 Hatchback, Sed. & Wgn. w/1.6L & 1.8L Engs.:	
1995	Millenia w/2.5L Eng.:			Seal .....	11612
	Belt & Tensioner Kit .....	VKMA94000		(Speedi-Sleeve) .....	99114
1995-1993	MX6 & 626 w/2.0L Eng.:		1985-1981	GLC Hatchback & Sed.:	
	Belt & Tensioner Kit .....	VKMA94010		Seal .....	15819
1995-1993	MX6 & 626 w/2.5 L Eng.:			(Speedi-Sleeve) .....	99157
	Belt & Tensioner Kit .....	VKMA94000	<b>Steering-Power</b>		
1995	Protege w/DOHC Eng.:		<b>Pump Shaft</b>		
	Belt & Tensioner Kit .....	VKMA94201	1985-1983	GLC Hatchback & Sed.:	
1995-1994	MX-3 w/1.6L DOHC Eng.:			Seal .....	7005
	Belt & Tensioner Kit .....	VKMA94201			
1994-1992	MX-3 w/1.8L Eng.:				
	Belt & Tensioner Kit .....	VKMA94000			
1994-1991	323 w/1.6L & 1.8L Eng.:				
	Belt & Tensioner Kit .....	VKMA44002			
1994-1990	Protege w/SOHC Eng.:				
	Belt & Tensioner Kit .....	VKMA44002			

**Mazda Passenger (RWD)**

<b>Wheel Front</b>		<b>Wheel Front (Cont.)</b>	
1995-1990	MX-5 Miata w/o ABS:	1982-1979	626:
	Hub Assembly .....		Seal .....
	BR930143		15807
1995-1990	MX-5 Miata w/ABS:		Bearing (Inner) .....
	Hub Assembly .....		BR32
	BR930237		Bearing (Outer) .....
1995-1993	RX7:		BR2
	Hub Assembly .....		(Set Components) .....
	BR930118		LM11949/LM11910
1995-1992	929:	1980-1977	GLC:
	Hub Assembly .....		Seal .....
	BR930114		15807
1991-1988	929:		Bearing (Inner) .....
	Seal .....		30205-X
	21628		Bearing (Outer) .....
	Sealed Bearing .....		BR1
	FW164		(Set Components) .....
			LM11749/LM11710
1991-1986	RX7:	1978-1977	RX4:
	Seal .....		Seal .....
	20405		15807
	Bearing (Inner) .....		Bearing (Inner) .....
	BR11		BR32
	(Set Components) .....		Bearing (Outer) .....
	JL69349/JL69310		BR2
	Bearing (Outer) .....		(Set Components) .....
	BR32204		LM11949/LM11910
1985-1984	RX7:	1978-1976	Cosmo:
	Seal .....		Seal .....
	15807		15807
	Bearing (Inner) .....		Bearing (Inner) .....
	BR32		BR6
	Bearing (Outer) .....		(Set Components) .....
	BR32204		LM67048/LM67010
1983-1979	RX7:		Bearing (Outer) .....
	Seal .....		BR2
	15807		(Set Components) .....
	Bearing (Inner) .....		LM11949/LM11910
	BR32		(Continued)
	Bearing (Outer) .....		
	BR1		
	(Set Components) .....		
	LM11749/LM11710		

MFG./YEAR	MODEL & LOCATION	PART NO.	MFG./YEAR	MODEL & LOCATION	PART NO.
<b>Wheel Front (Cont.)</b>			<b>Pinion (Cont.)</b>		
1978-1971 Mizer, RX2, RX3, R100, 616, 618 & 808:			<b>Rear Axle (Cont.)</b>		
	Seal .....	15807	1991-1986 RX7 w/o Turbo & Limited Slip Diff.:		
	Bearing (Inner) .....	30205-X		Seal .....	18971
	Bearing (Outer) .....	BR2		(Speedi-Sleeve) .....	99189
	(Set Components) .....	LM11949/LM11910		Bearing (Front) .....	6008-J
<b>Wheel Rear</b>				Bearing (Center) .....	BR32206
1995-1990 MX-5 Miata:				Bearing (Rear) .....	BR32307
	Seal .....	22454	1990-1988 929:		
	Sealed Bearing .....	GRW237		Seal .....	15883
	C-Clip .....	CIR237		Bearing (Front) .....	BR30306
1995-1993 RX7:				Bearing (Rear) .....	BR32307
	Sealed Bearing .....	GRW234	1988-1987 RX7 w/Turbo & Limited Slip Diff.:		
1995-1991 929:				Seal .....	18782
	Sealed Bearing .....	GRW234		Bearing (Center) .....	BR30306
1991-1986 RX7:				Bearing (Rear) .....	BR32307
	Seal .....	22815	1985-1982 RX7:		
	Sealed Bearing .....	FW166		Seal .....	15849
1990-1988 929:				(Speedi-Sleeve) .....	99157
	Seal .....	22224		Bearing (Front) .....	BR32206
	Sealed Bearing .....	FW127		Bearing (Rear) .....	BR32207
	C-Clip .....	CIR127	1982 626:		
1985-1984 RX7:				Seal .....	15753
	Seal .....	18862		(Speedi-Sleeve) .....	99157
	Sealed Bearing w/Lock Ring .....	GRW167-R		Bearing (Front) .....	BR32206
1983-1979 GLC Wgn., RX7 & 626:				Bearing (Rear) .....	BR32207
	Seal .....	16503	1981-1980 GLC Wgn.:		
	Sealed Bearing w/Lock Ring .....	GRW102-R		Seal .....	12751
1978-1976 Cosmo:				(Speedi-Sleeve) .....	99128
	Seal .....	18962		Bearing (Rear) .....	BR32206
	Sealed Bearing w/Lock Ring .....	GRW128-R	1981-1979 RX7 & 626:		
1977-1972 Mizer & 808:				Seal .....	15753
	Seal .....	16503		(Speedi-Sleeve) .....	99157
	Sealed Bearing w/Lock Ring .....	GRW102-R		Bearing (Front) .....	BR32206
1976-1974 RX4:				Bearing (Rear) .....	BR32207
	Seal .....	18862	1978-1976 Cosmo w/Auto. Trans.:		
	Sealed Bearing w/Lock Ring .....	GRW167-R		Seal .....	15753
1974-1971 RX2, RX3, R100, 616 & 618:				(Speedi-Sleeve) .....	99157
	Seal .....	16503		Bearing (Front) .....	BR32207
	Sealed Bearing w/Lock Ring .....	GRW102-R		Bearing (Rear) .....	BR32206
<b>Axle Shaft</b>			1978-1976 Cosmo w/Man. Trans.:		
1995 MX-5 Miata:				Seal .....	15753
	Seal .....	14129		(Speedi-Sleeve) .....	99157
<b>Pinion</b>				Bearing (Front) .....	HM801346/HM801310
<b>Rear Axle</b>				Bearing (Rear) .....	BR32206
1995-1990 MX-5 Miata:			1977-1976 Mizer w/1.3L Eng.:		
	Seal .....	12751		Seal .....	12751
	(Speedi-Sleeve) .....	99128		(Speedi-Sleeve) .....	99128
	Bearing (Rear) .....	BR32206		Bearing (Front) .....	BR32206
1995-1993 RX7:				Bearing (Rear) .....	BR32207
	Seal .....	15382	1977-1972 RX3:		
	Bearing (Front) .....	BR30306		Seal .....	15753
1995-1991 929:				(Speedi-Sleeve) .....	99157
	Seal .....	15382		Bearing (Front) .....	BR32206
	Bearing (Front) .....	BR30306		Bearing (Rear) .....	BR32207
	Bearing (Rear) .....	BR32307	1977-1972 808 w/1.6L Eng.:		
1991-1989 RX7 w/Turbo & Limited Slip Diff.:				Seal .....	15753
	Seal .....	18782		(Speedi-Sleeve) .....	99157
	Bearing (Center) .....	BR30306		Bearing (Front) .....	BR32207
				Bearing (Rear) .....	BR32206

(Continued)

**Mazda Passenger (RWD) -- (Cont.)**

MFG./YEAR	MODEL & LOCATION	PART NO.	MFG./YEAR	MODEL & LOCATION	PART NO.
<b>Pinion (Cont.)</b>			<b>Transmission-Automatic</b>		
<b>Rear Axle (Cont.)</b>			<b>Front Pump</b>		
<b>1976-1974 RX4:</b>			<b>1995-1990 MX-5 Miata:</b>		
Seal		15753	Seal		16514
(Speedi-Sleeve)		99157	(Speedi-Sleeve)		99169
Bearing (Front)		BR32207	<b>1995-1993 RX7:</b>		
Bearing (Rear)		HM801346/HM801310	Seal		18014
<b>1974-1971 RX2:</b>			(Speedi-Sleeve)		99181
Seal		15753	<b>1995-1992 929:</b>		
(Speedi-Sleeve)		99157	Seal		18014
Bearing (Front)		BR32206	(Speedi-Sleeve)		99181
Bearing (Rear)		BR32207	<b>1991-1969 All:</b>		
<b>1972-1971 616 &amp; 618:</b>			Seal		16514
Bearing (Front)		BR32207	(Speedi-Sleeve)		99169
Bearing (Rear)		BR32206	<b>Rear</b>		
<b>Differential</b>			<b>1995-1990 MX-5 Miata:</b>		
<b>Rear Axle</b>			Seal		14014
<b>1995-1990 MX-5 Miata:</b>			<b>1995-1993 RX7:</b>		
Seal		14007	Seal		16549
<b>1995-1991 929:</b>			<b>1995-1988 929:</b>		
Seal		14732	Seal		13794
(Speedi-Sleeve)		99147	<b>1991-1986 RX7:</b>		
<b>1991-1987 RX7 w/Turbo:</b>			Seal		14790
Seal		14732	<b>1982-1969 Exc. RX7:</b>		
(Speedi-Sleeve)		99147	Seal		13931
<b>1991-1986 RX7 w/o Turbo:</b>			(Speedi-Sleeve)		99139
Seal		14006	<b>Transmission-Manual</b>		
(Speedi-Sleeve)		99139	<b>Countershaft Rear</b>		
Bearing		32008-X	<b>1977-1972 Mizer &amp; 808:</b>		
<b>1990-1988 929:</b>			Bearing		6304-J
Seal		14732	<b>Front</b>		
(Speedi-Sleeve)		99147	<b>1989-1988 929:</b>		
<b>1985-1971 Exc. GLC &amp; Mizer w/1.3L Eng.:</b>			Seal		10661
Bearing		32008-X	(Speedi-Sleeve)		99106
<b>Clutch</b>			<b>1988-1969 Exc. GLC Wgn., Mizer &amp; 808 w/1.3L Eng.:</b>		
<b>Pilot</b>			Seal		10661
<b>1995-1988 Exc. RX7:</b>			(Speedi-Sleeve)		99106
Bearing		6202-2ZJ	Bearing		6307-NRJ
<b>1994-1981 RX7:</b>			<b>1981-1980 GLC Wgn.:</b>		
Bearing		B152016	Seal		9515
<b>1982-1971 Exc. RX7:</b>			(Speedi-Sleeve)		99098
Bearing		6202-2ZJ	<b>1977-1976 Mizer &amp; 808 w/1.3L Eng.:</b>		
<b>Release</b>			Seal		9515
<b>1995-1990 MX-5 Miata:</b>			(Speedi-Sleeve)		99098
Bearing Assembly		N4074	<b>Rear</b>		
<b>1991-1989 RX7:</b>			<b>1995-1990 MX-5 Miata:</b>		
Bearing Assembly		N4081	Seal		14014
<b>1989-1988 929:</b>			<b>1995-1993 RX7:</b>		
Bearing Assembly		N4034	Seal		13794
<b>1988-1981 RX7:</b>			<b>1991-1989 RX7 w/o Turbo:</b>		
Bearing Assembly		N4034	Seal		14014
<b>1982-1979 626:</b>			<b>1989-1988 929:</b>		
Bearing Assembly		N4034	Seal		13794
<b>1981-1980 GLC Wgn.:</b>			<b>1988-1969 Exc. RX7 w/Turbo:</b>		
Bearing Assembly		N4033	Seal		13931
<b>1977-1976 Mizer:</b>			(Speedi-Sleeve)		99139
Bearing Assembly		N4032	<b>Rear Extension</b>		
			<b>1994-1993 RX7:</b>		
			Seal		6400
			(Speedi-Sleeve)		99058
			(Continued)		

# Passenger cars, light & medium trucks

## (Cont.) -- Mazda Passenger (RWD)

MFG./YEAR	MODEL & LOCATION	PART NO.	MFG./YEAR	MODEL & LOCATION	PART NO.
<b>Alternator</b>			<b>Engine (Cont.)</b>		
1995-1992	MX-5 Miata From Chas. 219322:		<b>Crankshaft-Rear (Cont.)</b>		
	Bearing (Rear) .....	BR32006	1978-1971	Cosmo, RX2 & RX4:	
1991-1990	MX-5 Miata Thru Chas. 219322:		Seal .....		26661
	Bearing (Rear) .....	BR32006	(Speedi-Sleeve) .....		99266
1991-1989	RX7:		1977-1976	Mizer w/1.3L Eng.:	
	Bearing (Rear) .....	BR32006	Seal .....		27725
1985	RX7 From Chas. 877563:		(Speedi-Sleeve) .....		99276
	Bearing (Front) .....	6302-2RSJ	1977-1972	808 w/1.6L Eng.:	
1985-1984	RX7 Thru Chas. 877562:		Seal .....		31515
	Bearing (Front) .....	6202-2RSJ	(Speedi-Sleeve) .....		99317
	Bearing (Rear) .....	6202-2RSJ	<b>Timing Belt Idler</b>		
1983-1980	GLC Wgn.:		1995-1990	MX-5 Miata:	
	Bearing (Front) .....	6202-2ZJ	Bearing & Housing Assy. ....		VKM84201
	Bearing (Rear) .....	6201-2RSJ	1995-1992	929:	
1983-1979	RX7:		Bearing & Housing Assy. (Upper) .....		VKM84003
	Bearing (Front) .....	6202-2ZJ	Bearing & Housing Assy. (Lower) .....		VKM84004
	Bearing (Rear) .....	6201-2RSJ	<b>Timing Belt Tensioner</b>		
1978-1977	Cosmo & RX4:		1995	Miata w/1.8L Eng.:	
	Bearing (Front) .....	6302-2RSJ	Bearing & Housing Assy. ....		VKM74201
	Bearing (Rear) .....	6201-2RSJ	1995-1992	929:	
1977-1972	Mizer & 808:		Bearing & Housing Assy. ....		VKM74005
	Bearing (Front) .....	6203-2RSJ	1991-1989	929:	
	Bearing (Rear) .....	6201-2RSJ	Bearing & Housing Assy. ....		VKM74007
1976	Cosmo:		<b>Timing Belt and Tensioner Kit</b>		
	Bearing (Front) .....	6203-2RSJ	1995-1990	MX-5 Miata:	
	Bearing (Rear) .....	6201-2RSJ	Belt & Tensioner Kit .....		VKMA94201
1976-1971	RX2, RX3 & RX4:		1995-1991	929 w/3.0L Eng.:	
	Bearing (Front) .....	6203-2RSJ	Belt & Tensioner Kit .....		VKMA94017
	Bearing (Rear) .....	6201-2RSJ	<b>Timing Cover</b>		
<b>Drive Shaft</b>			1995-1992	MX-5 Miata w/1.6L & 1.8L Engs.:	
1979-1970	All:		Seal .....		14477
	Bearing .....	6205-J	1995-1993	RX7 w/1.3L Turbo Eng.:	
<b>Engine</b>			Seal .....		16514
<b>Camshaft</b>			(Speedi-Sleeve) .....		99169
1995-1990	MX-5 Miata w/1.6L & 1.8L Engs.:		1995-1988	929 w/3.0L Eng.:	
	Seal .....	13429	Seal .....		17122
	(Speedi-Sleeve) .....	99134	1991-1990	MX-5 Miata w/1.6L Eng.:	
1995-1990	929 w/DOHC:		Seal .....		11612
	Seal (L.H.) .....	25518	(Speedi-Sleeve) .....		99114
	Seal (R.H.) .....	15300	1991-1979	RX7:	
1990-1989	929 Exc. DOHC:		Seal .....		16514
	Seal .....	14032	(Speedi-Sleeve) .....		99169
<b>Crankshaft-Rear</b>			1982-1979	626:	
1995-1992	MX-5 Miata w/1.6L & 1.8L Engs.:		Seal .....		18971
	Seal .....	32715	(Speedi-Sleeve) .....		99189
1995-1989	929 w/3.0L Eng.:		1981-1980	GLC Wgn.:	
	Seal .....	◇29675	Seal .....		15819
	(Superseded by:) .....	29676	(Speedi-Sleeve) .....		99157
	(Speedi-Sleeve) .....	99298	1978-1971	Cosmo, RX2 & RX4:	
1995-1979	RX7:		Seal .....		16514
	Seal .....	26661	(Speedi-Sleeve) .....		99169
	(Speedi-Sleeve) .....	99266	1977-1976	Mizer w/1.3L Eng.:	
1991-1990	MX-5 Miata:		Seal .....		15823
	Seal .....	32715	(Speedi-Sleeve) .....		99157
1982-1979	626:		1977-1972	808 w/1.6L Eng.:	
	Seal .....	31515	Seal .....		18971
	(Speedi-Sleeve) .....	99317	(Speedi-Sleeve) .....		99189
1981-1980	GLC Wgn.:				(Continued)
	Seal .....	27725			
	(Speedi-Sleeve) .....	99276			

**Mazda Passenger (RWD) -- (Cont.)**

MFG./YEAR	MODEL & LOCATION	PART NO.	MFG./YEAR	MODEL & LOCATION	PART NO.
<b>Steering-Power</b>			<b>Steering-Standard</b>		
<b>Pump Shaft</b>			<b>Pitman Shaft</b>		
1984	RX7:		1992-1990	MX-5 Miata:	
	Seal	6622		Seal	6408

**Mazda MPV**

<b>Wheel Front (2 W/D)</b> 1995-1989 All: Hub Assembly ..... BR930114	<b>Transmission-Automatic (Cont.)</b> <b>Rear</b> 1995-1989 All: Seal ..... 13794
<b>Wheel Front (4 W/D)</b> 1995-1989 All: Seal (Inner) ..... 22454 Seal (Outer) ..... 19676 Sealed Bearing ..... FW166	<b>Transmission-Manual</b> <b>Rear</b> 1991-1989 All: Seal ..... 13794
<b>Wheel Rear</b> 1995-1989 w/o Disc Brks.: Seal (Inner) ..... 18862 Seal (Outer) ..... 18488 Sealed Bearing w/Lock Ring ..... GRW186-R	<b>Alternator</b> 1993-1990 All: Bearing (Rear) ..... BR32006
<b>Pinion</b> <b>Front Axle</b> 1995-1989 All: Seal ..... 15849 (Speedi-Sleeve) ..... 99157 Bearing (Front) ..... BR32207 Bearing (Rear) ..... BR32206	<b>Engine</b> <b>Camshaft</b> 1995-1989 3.0L Eng.: Seal ..... 14032
<b>Rear Axle</b> 1995-1989 All: Seal ..... 15883 Bearing (Front) ..... BR30306 Bearing (Rear) ..... BR30307	<b>Crankshaft-Rear</b> 1995-1989 3.0L Eng.: Seal ..... ◇29675 (Superseded by:.) ..... 29676 (Speedi-Sleeve) ..... 99298 1994-1989 2.6L Eng.: Seal ..... 35409 (Speedi-Sleeve) ..... 99354
<b>Differential</b> <b>Front Axle</b> 1995-1989 All: Bearing ..... 32008-X	<b>Timing Belt Idler</b> 1995-1990 All: Bearing & Housing Assy. .... [2] VKM84007
<b>Clutch</b> <b>Pilot</b> 1990-1989 All: Bearing ..... 6202-2ZJ	<b>Timing Belt Tensioner</b> 1995-1990 All: Bearing & Housing Assy. .... VKM74007
<b>Release</b> 1991-1989 All: Bearing Assembly ..... N4081	<b>Timing Belt and Tensioner Kit</b> 1995-1989 3.0L Eng.: Belt & Tensioner Kit ..... VKMA94017
<b>Transfer Case</b> <b>Input Shaft</b> 1995-1989 All: Seal ..... 17194	<b>Timing Cover</b> 1995-1989 3.0L Eng.: Seal ..... 17122 1994-1989 2.6L Eng.: Seal ..... 17914 (Speedi-Sleeve) ..... 99181
<b>Rear Output Shaft</b> 1995-1989 All: Seal ..... 15809	
<b>Transmission-Automatic</b> <b>Front Pump</b> 1995-1989 w/o Electronic Control: Seal ..... 16489 1995-1989 w/Electronic Control: Seal ..... 18014 (Speedi-Sleeve) ..... 99181	

MFG./YEAR	MODEL & LOCATION	PART NO.	MFG./YEAR	MODEL & LOCATION	PART NO.
<b>Wheel Front (2 W/D)</b>			<b>Wheel Rear (Cont.)</b>		
1995	B2300, B3000, B4000 & Navajo:		1987-1986	B2000 Thru Chas. 5115:	
	Seal .....	19223		Seal (Inner) .....	21620
	Bearing (Inner) .....	BR5		Seal (Outer) .....	18873
	(Set Components) .....	LM48548/LM48510		Bearing .....	BR30208
	Bearing (Outer) .....	BR2	1984-1973 All:		
	(Set Components) .....	LM11949/LM11910		Seal (Inner) .....	13954
1994	B2300, B3000, B4000 & Navajo:			Seal (Outer) .....	18970
	Seal (Boretite) .....	19214		Bearing .....	BR30208
	Seal (Exc. Boretite) .....	19221	<b>Pinion</b>		
	Bearing (Inner) .....	BR6	<b>Front Axle</b>		
	(Set Components) .....	LM67048/LM67010	1995-1994	B2300, B3000 & B4000 w/3.27, 3.73 & 4.10	
	Bearing (Outer) .....	BR2		Ratios:	
	(Set Components) .....	LM11949/LM11910		Seal .....	18480
1993-1986	B2000, B2200 & B2600:			Bearing (Front) .....	BR52
	Seal .....	20457		(Set Components) .....	M88048/M88010
	Bearing (Inner) .....	BR5		Bearing (Rear) .....	M86649/M86610
	(Set Components) .....	LM48548/LM48510	1994-1991 Navajo:		
	Bearing (Outer) .....	BR30205		Seal .....	18480
1984-1977	B1800, B2000 & B2200:			Bearing .....	[2] M86649/M86610
	Seal .....	17435	1993-1987 B2600:		
	Bearing (Inner) .....	BR30206		Seal .....	15849
	Bearing (Outer) .....	BR30204		(Speedi-Sleeve) .....	99157
1975-1973 All:				Bearing (Front) .....	BR32206
	Bearing (Inner) .....	BR30206		Bearing (Rear) .....	BR32207
	Bearing (Outer) .....	BR30204	<b>Rear Axle</b>		
<b>Wheel Front (4 W/D)</b>			1995-1994	B2300, B3000 & B4000:	
1995-1994	B2300:			Seal .....	18190
	Seal .....	18844		(Speedi-Sleeve) .....	99181
	Bearing .....	[2] BR37		Bearing (Front) .....	M802048/M802011
	(Set Components) .....	LM603049/LM603011		Bearing (Rear) .....	BR52
1995-1991	B3000, B4000 & Navajo:			(Set Components) .....	M88048/M88010
	Seal .....	24917	1994-1991 Navajo:		
	Bearing .....	[4] BR37		Seal .....	18190
	(Set Components) .....	LM603049/LM603011		(Speedi-Sleeve) .....	99181
1993-1987	B2600:			Bearing (Front) .....	BR52
	Seal .....	23432		(Set Components) .....	M88048/M88010
	Bearing (Inner) .....	BR50		Bearing (Rear) .....	M802048/M802011
	(Set Components) .....	LM102949/LM102910	1993-1987 B2600:		
	Bearing (Outer) .....	BR11		Seal .....	15883
	(Set Components) .....	JL69349/JL69310		Bearing (Front) .....	BR30307
<b>Axle Shaft</b>				Bearing (Rear) .....	BR30306
1994-1991	Navajo:		1993-1986	B2000 & B2200:	
	Bearing .....	B2110		Seal .....	15849
1993-1987	B2600:			(Speedi-Sleeve) .....	99157
	Seal .....	25418		Bearing (Front) .....	BR32206
<b>Spindle Hub</b>				Bearing (Rear) .....	BR32307
1995-1994	B2300, B3000 & B4000:		1984-1977	B1800 & B2000:	
	Bearing (Needle) .....	B2110		Bearing (Front) .....	BR30306
<b>Wheel Rear</b>				Bearing (Rear) .....	BR30307
1995-1991	B2300, B3000, B4000 & Navajo:		<b>Differential</b>		
	Seal .....	16404	<b>Front Axle</b>		
	Bearing .....	R1563-TAV	1995-1991	B2300, B3000, B4000 & Navajo:	
	(Axle Repair Brg. Assy.) .....	• R1563		Bearing .....	BR72
1993-1987	B2200 & B2600 From Chas. 6401 Thru 0301:			(Set Components) .....	LM501349/LM501314
	Seal (Inner) .....	13792	1993-1987	B2600:	
	Seal (Outer) .....	18873		Bearing .....	32008-X
	Bearing .....	BR30208			(Continued)
1987-1986	B2000 From Chas. 5116 Thru Chas. 6400:				
	Seal (Inner) .....	13954			
	Seal (Outer) .....	18873			
	Bearing .....	BR30208			

**Mazda Truck -- (Cont.)**

MFG./YEAR	MODEL & LOCATION	PART NO.	MFG./YEAR	MODEL & LOCATION	PART NO.
<b>Differential (Cont.)</b>			<b>Transfer Case</b>		
<b>Rear Axle</b>			<b>Adapter Housing</b>		
1995-1994	B2300, B3000 & B4000 w/7.50" Ring		1992	B2600:	
	Gear:		Seal .....		16551
	Bearing ..... [2] BR72		1991-1987	B2600 w/3 Spd. Auto. Trans.:	
	(Set Components) ..... LM501349/LM501314		Seal .....		15357
1995-1994	B2300, B3000 & B4000 w/8.80" Ring		<b>Oil Pump</b>		
	Gear:		1994-1991	Navajo:	
	Bearing ..... [2] BR36		Seal (Outer) .....		16225
	(Set Components) ..... LM603049/LM603012		<b>Output Shaft</b>		
1994-1991	Navajo:		1992	B2600:	
	Bearing ..... BR36		Seal .....		15357
	(Set Components) ..... LM603049/LM603012		1991-1987	B2600 w/3 Spd. Auto.:	
1993-1986	B2000 & B2200:		Seal .....		14014
	Bearing ..... 32008-X		<b>Rear Output Shaft</b>		
<b>Clutch</b>			1995-1991	B2600, B3000, B4000 & Navajo:	
<b>Pilot</b>			Seal .....		16043
1995-1994	B2300 & B3000:		(Speedi-Sleeve) .....		99163
	Bearing ..... FC65354		Bearing .....		6206-J
1995-1994	B4000:		<b>Shift Shaft</b>		
	Bearing ..... N3057		1995-1991	All:	
1993-1989	B2600:		Seal .....		3687
	Bearing ..... 6202-2ZJ		<b>Transmission-Automatic</b>		
1993-1972	B1600, B1800, B2000 & B2200:		<b>Front Pump</b>		
	Bearing ..... 6202-2ZJ		1992-1972	All:	
1988-1987	B2600:		Seal .....		16489
	Bearing ..... 6002-2RSJ		<b>Rear</b>		
<b>Release</b>			1992-1987	B2600 w/4 W/D:	
1995-1994	B2300, B3000 & B4000:		Seal .....		16551
	Bearing Only ..... N4119		1992-1972	Exc. B2600 & 4 W/D:	
1994-1991	Navajo:		Seal .....		13931
	Bearing Assembly ..... N4061		(Speedi-Sleeve) .....		99139
1993-1979	B2000 & B2200:		<b>Transmission</b>		
	Bearing Assembly ..... N4034		<b>Kit</b>		
1992-1989	B2600:		1995-1994	RWD, M5R1 Trans Mfr Code, 5 Speed:	
	Bearing Assembly ..... N4081		Light Duty Kit .....		STK247
1988-1987	B2600:		<b>Transmission-Manual</b>		
	Bearing Assembly ..... N4034		<b>Countershaft</b>		
1978	B1800:		1995-1994	B2300, B3000 & B4000:	
	Bearing Only ..... N2043		Bearing (Front) .....		MR1205-EX
<b>Transaxle-Automatic</b>			Bearing (Center) .....		MR1206-EX
<b>Input Shaft</b>			Bearing (Rear) .....		6304-J
1994-1991	Navajo:		<b>Front</b>		
	Seal .....	16225	1995-1994	B2300, B3000 & B4000:	
<b>Transaxle-Manual</b>			Seal .....		10661
<b>Input Shaft</b>			(Speedi-Sleeve) .....		99106
1994-1991	Navajo:		1993-1979	B2000 & B2200:	
	Seal .....	10661	Seal .....		10640
	(Speedi-Sleeve) .....	99106	(Speedi-Sleeve) .....		99106
<b>Output Shaft</b>			1988-1987	B2600:	
1994-1991	Navajo:		Seal .....		10661
	Seal .....	16043	(Speedi-Sleeve) .....		99106
	(Speedi-Sleeve) .....	99163	<b>Rear Extension</b>		
<b>Rear Extension</b>			1994-1992	Navajo w/o 4 W/D:	
1994-1992	Navajo w/o 4 W/D:		Seal .....		14900
	Seal .....	14900	1994-1991	Navajo w/4 W/D:	
1994-1991	Navajo w/4 W/D:		Seal .....		11623
	Seal .....	11623	(Speedi-Sleeve) .....		99114
	(Speedi-Sleeve) .....	99114	(Continued)		



MFG./YEAR	MODEL & LOCATION	PART NO.	MFG./YEAR	MODEL & LOCATION	PART NO.
<b>Transmission-Manual (Cont.)</b>			<b>Engine (Cont.)</b>		
<b>Input Shaft</b>			<b>Crankshaft-Rear (Cont.)</b>		
1995-1994 B2300, B3000 & B4000:			1988-1987 2.6L Eng.:		
	Seal .....	10661		Seal .....	31506
	(Speedi-Sleeve) .....	99106		(Speedi-Sleeve) .....	99317
	Bearing (Front) .....	BR54	1988-1986 2.0L & 2.2L Engs.:		
<b>Mainshaft</b>			Seal .....		
1995-1994 B2300, B3000 & B4000:			35409		
	Bearing (Center) .....	BR30207	(Speedi-Sleeve) .....		
	Bearing (Rear) .....	6207-J	99354		
<b>Rear</b>			1984-1982 2.2L Eng.:		
1995-1994 B2300, B3000 & B4000 w/o 4 W/D:			Seal .....		
	Seal .....	14900	39136		
	Bearing (Front) .....	BR30207	(Speedi-Sleeve) .....		
	Bearing (Rear) .....	6207-J	99399		
1995-1994 B3000 & B4000 w/4 W/D:			1984-1977 1.8L & 2.0L Engs.:		
	Seal .....	11623	Seal .....		
	(Speedi-Sleeve) .....	99114	31515		
	Bearing (Front) .....	BR30207	(Speedi-Sleeve) .....		
	Bearing (Rear) .....	6207-J	99317		
1993-1987 B2200:			<b>Accessory Drive Belt Idler</b>		
	Seal .....	14014	1995-1994 2.3L, 2.5L & 3.0L Engs.:		
1993-1987 B2600 w/4 W/D:			Bearing (Pulley) .....		
	Seal .....	15809	VKM900022		
1987-1972 B1600, B1800 & B2000:			<b>Timing Belt Idler</b>		
	Seal .....	13931	1995-1994 2.5L, 3.0L & 4.0L Engs.:		
	(Speedi-Sleeve) .....	99139	Bearing (Pulley) .....		
<b>Alternator</b>			VKM900052		
1992-1991 B2200 & B2600:			<b>Timing Belt Tensioner</b>		
	Bearing (Rear) .....	BR32006	1995 2.3L & 2.5L Engs.:		
1989-1986 All:			Bearing & Housing Assy. ....		
	Bearing (Front) .....	6302-2RSJ	VKM54001		
1984-1982 B2200:			1987 2.0L Eng.:		
	Bearing (Front) .....	6302-2RSJ	Bearing & Housing Assy. ....		
	Bearing (Rear) .....	6202-2RSJ	VKM74001		
1984-1977 B1800 & B2000:			<b>Timing Belt and Tensioner Kit</b>		
	Bearing (Front) .....	6202-2ZJ	1995 2.3L & 2.5L Engs.:		
	Bearing (Rear) .....	6201-2RSJ	Belt & Tensioner Kit .....		
1977-1974 Rotary Pick Up:			VKMA44003		
	Bearing (Front) .....	6203-2RSJ	1994 2.3L Eng.:		
<b>Drive Shaft</b>			Belt & Tensioner Kit .....		
1995-1994 B4000 w/4.0L Eng.:			VKMA45001		
	Bearing & Support .....	HB209-KF	1987-1986 2.0L Eng.:		
1993-1986 B2000 & B2200 w/Auto. Trans.:			Belt & Tensioner Kit .....		
	Bearing .....	6205-2RSJ	VKMA94007		
1991-1980 B2000 & B2200 w/Man. Trans.:			<b>Timing Cover</b>		
	Bearing & Support .....	HB1420-10	1995-1994 3.0L Eng.:		
1979-1972 All:			Seal .....		
	Bearing .....	6205-J	18544		
<b>Engine</b>			(Speedi-Sleeve) .....		
<b>Crankshaft-Rear</b>			99187		
1995-1994 3.0L Eng.:			1995-1991 4.0L Eng.:		
	Seal .....	34611	Seal .....		
1995-1994 2.3L & 2.5L Engs.:			16494		
	Seal .....	36147	(Speedi-Sleeve) .....		
	(Speedi-Sleeve) .....	99362	99169		
1995-1991 4.0L Eng.:			1995-1994 2.3L & 2.5L Engs.:		
	Seal .....	23641	Seal .....		
	(Speedi-Sleeve) .....	99238	17107		
1993-1989 2.0L, 2.2L & 2.6L Engs.:			1993-1986 2.0L & 2.2L Engs.:		
	Seal .....	35409	Seal .....		
	(Speedi-Sleeve) .....	99354	13429		

**Mercedes-Benz**

MFG./YEAR	MODEL & LOCATION	PART NO.	MFG./YEAR	MODEL & LOCATION	PART NO.
<b>Wheel Front</b>			<b>Wheel Front (Cont.)</b>		
1995-1994	C280:		1991-1988	300SE, 300SEL, 350SD, 350SDL, 420SEL, 560SEC & 560SEL:	
	Seal .....	18866		Seal .....	19773
	Bearing (Inner) .....	BR17		Bearing (Inner) .....	BR5
	(Set Components) .....	L68149/L68111		(Set Components) .....	LM48548/LM48510
	Bearing (Outer) .....	BR12		Bearing (Outer) .....	BR3
	(Set Components) .....	LM12749/LM12710		(Set Components) .....	M12649/M12610
	Bearing Kit .....	WKH1498	1989-1987	260E:	
1995-1994	S320, S420, S500 & S600:			Bearing (Inner) .....	BR6
	Bearing (Inner) .....	32008XQVB458		(Set Components) .....	LM67048/LM67010
	Bearing (Outer) .....	33205J		Bearing (Outer) .....	BR2
	Bearing Kit .....	VKBA1499		(Set Components) .....	LM11949/LM11910
1995-1994	C220:		1989-1986	560SL:	
	Seal .....	18866		Seal .....	17658
	Bearing (Inner) .....	BR17		Bearing .....	[2] BR3
	(Set Components) .....	L68149/L68111		(Set Components) .....	M12649/M12610
	Bearing (Outer) .....	BR12	1988-1986	200, 220, 300DT, 300E & 500SL:	
	(Set Components) .....	LM12749/LM12710		Bearing (Inner) .....	BR6
1995-1990	300SL, 500SL, 600SL, SL320, SL500 & SL600:			(Set Components) .....	LM67048/LM67010
	Seal .....	18866		Bearing (Outer) .....	BR2
	Bearing (Inner) .....	BR17		(Set Components) .....	LM11949/LM11910
	(Set Components) .....	L68149/L68111	1988-1985	190E w/2.3L Exc. 16 Valve Eng.:	
	Bearing (Outer) .....	BR12		Bearing (Inner) .....	BR6
	(Set Components) .....	LM12749/LM12710		(Set Components) .....	LM67048/LM67010
1995-1994	S350D:			Bearing (Outer) .....	BR1
	Bearing (Inner) .....	32008-X		(Set Components) .....	LM11749/LM11710
	Bearing (Outer) .....	33205J	1987	300SDL & 300TD:	
1995-1992	400E, E420, 500E & E500:			Bearing (Inner) .....	BR5
	Bearing (Inner) .....	BR17		(Set Components) .....	LM48548/LM48510
	(Set Components) .....	L68149/L68111		Bearing (Outer) .....	BR3
	Bearing (Outer) .....	BR12		(Set Components) .....	M12649/M12610
	(Set Components) .....	LM12749/LM12710	1987-1986	190E w/2.3L 16 Valve Eng.:	
1995-1990	300TE & E320:			Bearing (Inner) .....	BR6
	Bearing (Inner) .....	BR6		(Set Components) .....	LM67048/LM67010
	(Set Components) .....	LM67048/LM67010		Bearing (Outer) .....	BR2
	Bearing (Outer) .....	BR2		(Set Components) .....	LM11949/LM11910
	(Set Components) .....	LM11949/LM11910		Bearing Kit .....	WKH941
1993-1992	300SD, 300SE, 400SEL, 500SEC, 500SEL, 600SEC & 600SEL:		1987-1986	420SEL, 560SEC & 560SEL:	
	Bearing (Inner) .....	32008-X		Bearing (Inner) .....	BR5
	Bearing (Outer) .....	33205J		(Set Components) .....	LM48548/LM48510
1993-1990	300TE 4MATIC:			Bearing (Outer) .....	BR3
	Sealed Bearing .....	GRW191		(Set Components) .....	M12649/M12610
1993-1990	300D Turbo, 300E, 300E 2.6 & 300E 2.8:		1986-1974	350SL & 350SLC:	
	Seal .....	17658		Seal .....	19630
	Bearing (Inner) .....	BR6		Bearing (Inner) .....	BR6
	(Set Components) .....	LM67048/LM67010		(Set Components) .....	LM67048/LM67010
	Bearing (Outer) .....	BR2		Bearing (Outer) .....	BR2
	(Set Components) .....	LM11949/LM11910		(Set Components) .....	LM11949/LM11910
1993-1989	190:		1985-1984	190, 200 & 220:	
	Seal .....	17658		Bearing (Inner) .....	BR6
	Bearing (Inner) .....	BR6		(Set Components) .....	LM67048/LM67010
	(Set Components) .....	LM67048/LM67010		Bearing (Outer) .....	BR1
	Bearing (Outer) .....	BR1		(Set Components) .....	LM11749/LM11710
	(Set Components) .....	LM11749/LM11710	1985-1984	500SEC & 500SEL:	
	Bearing Kit .....	WKH756		Bearing (Inner) .....	BR5
1992	400SE:			(Set Components) .....	LM48548/LM48510
	Bearing (Inner) .....	32008-X		Bearing (Outer) .....	BR3
	Bearing (Outer) .....	33205J		(Set Components) .....	M12649/M12610

(Continued)

MFG./YEAR	MODEL & LOCATION	PART NO.	MFG./YEAR	MODEL & LOCATION	PART NO.
<b>Wheel Front (Cont.)</b>			<b>Wheel Front (Cont.)</b>		
<b>1985-1981 380SE, SEC, SL &amp; SLC:</b>			<b>1973-1968 250, 350 &amp; 350SL Series:</b>		
	Seal .....	17736		Seal .....	19579
	Bearing (Inner) .....	BR6		Bearing (Inner) .....	BR6
	(Set Components) .....	LM67048/LM67010		(Set Components) .....	LM67048/LM67010
	Bearing (Outer) .....	BR2		Bearing (Outer) .....	BR2
	(Set Components) .....	LM11949/LM11910		(Set Components) .....	LM11949/LM11910
<b>1983-1977 230, 240D, 300CD &amp; 300D w/50mm Spindle:</b>			<b>1971-1968 280SE w/2.8L Eng.; 280S, 280SEC, 280SEL &amp; 280SL:</b>		
	Seal .....	19630		Seal .....	550154
	Bearing (Inner) .....	BR5		Bearing (Inner) .....	BR6
	(Set Components) .....	LM48548/LM48510		(Set Components) .....	LM67048/LM67010
	Bearing (Outer) .....	BR2		Bearing (Outer) .....	BR2
	(Set Components) .....	LM11949/LM11910		(Set Components) .....	LM11949/LM11910
<b>1981 380SL:</b>			<b>1968-1965 200 Series, 230 &amp; 230S:</b>		
	Bearing (Inner) .....	BR6		Seal .....	550154
	(Set Components) .....	LM67048/LM67010		Bearing (Inner) .....	BR6
	Bearing (Outer) .....	BR2		(Set Components) .....	LM67048/LM67010
	(Set Components) .....	LM11949/LM11910		Bearing (Outer) .....	BR2
<b>1981-1975 280S, 280SE &amp; 280SEL:</b>			<b>1967-1966 250SEC &amp; 300SEB:</b>		
	Seal .....	19630		Seal .....	550154
	Bearing (Inner) .....	BR6		Bearing (Inner) .....	BR6
	(Set Components) .....	LM67048/LM67010		(Set Components) .....	LM67048/LM67010
	Bearing (Outer) .....	BR2		Bearing (Outer) .....	BR2
	(Set Components) .....	LM11949/LM11910		(Set Components) .....	LM11949/LM11910
<b>1981-1973 280CE, 450SE, SEL &amp; SL w/50mm Spindle:</b>			<b>1967-1963 190C, 190DC, 220B From Chas. 023661, 230SL &amp; 300SEL:</b>		
	Seal .....	19630		Seal .....	550154
	Bearing (Inner) .....	BR5		Bearing (Inner) .....	BR6
	(Set Components) .....	LM48548/LM48510		(Set Components) .....	LM67048/LM67010
	Bearing (Outer) .....	BR3		Bearing (Outer) .....	BR2
	(Set Components) .....	M12649/M12610		(Set Components) .....	LM11949/LM11910
<b>1980-1974 450SL &amp; 450SLC w/45mm Spindle:</b>			<b>1965-1961 190C &amp; 190D:</b>		
	Bearing (Inner) .....	BR6		Bearing (Inner) .....	BR6
	(Set Components) .....	LM67048/LM67010		(Set Components) .....	LM67048/LM67010
	Bearing (Outer) .....	BR2		Bearing (Outer) .....	BR2
	(Set Components) .....	LM11949/LM11910		(Set Components) .....	LM11949/LM11910
<b>1976-1974 230 &amp; 240D:</b>			<b>1965-1960 220SEB &amp; 220SEC:</b>		
	Seal .....	17736		Seal .....	550154
	Bearing (Inner) .....	BR6		<b>1965-1959 220SB From Chas. 049856; 220SEB From Chas. 016976; 300SE:</b>	
	(Set Components) .....	LM67048/LM67010		Seal .....	550154
	Bearing (Outer) .....	BR2		Bearing (Inner) .....	BR6
	(Set Components) .....	LM11949/LM11910		(Set Components) .....	LM67048/LM67010
<b>1976-1973 280 &amp; 280C:</b>				Bearing (Outer) .....	BR2
	Bearing (Inner) .....	BR6		(Set Components) .....	LM11949/LM11910
	(Set Components) .....	LM67048/LM67010	<b>1963-1952 190SL:</b>		
	Bearing (Outer) .....	BR2		Seal .....	550154
	(Set Components) .....	LM11949/LM11910	<b>1961-1959 190B:</b>		
<b>1975 600 Series:</b>				Seal .....	550154
	Bearing (Inner) .....	BR5	<b>Wheel Rear</b>		
	(Set Components) .....	LM48548/LM48510	<b>1995-1994 C220 &amp; C280:</b>		
	Bearing (Outer) .....	BR3		Sealed Bearing .....	GRW219
	(Set Components) .....	M12649/M12610		Bearing Kit .....	WKH757
<b>1973-1970 280S &amp; 280SEL w/4.5L Eng.:</b>			<b>1995-1994 E320:</b>		
	Seal .....	550154		Sealed Bearing .....	GRW219
	Bearing (Inner) .....	BR6		Bearing Kit .....	WKH757
	(Set Components) .....	LM67048/LM67010	<b>1995-1994 SL320, SL500 &amp; SL600:</b>		
	Bearing (Outer) .....	BR2		Sealed Bearing .....	GRW219
	(Set Components) .....	LM11949/LM11910		Bearing Kit .....	WKH757
<b>1973-1968 220 &amp; 220D:</b>					
	Seal .....	550154			
	Bearing (Inner) .....	BR6			
	(Set Components) .....	LM67048/LM67010			
	Bearing (Outer) .....	BR2			
	(Set Components) .....	LM11949/LM11910			

(Continued)

Mercedes-Benz -- (Cont.)

MFG./YEAR	MODEL & LOCATION	PART NO.	MFG./YEAR	MODEL & LOCATION	PART NO.
<b>Wheel Rear (Cont.)</b>			<b>Pinion (Cont.)</b>		
1995-1994	E420:		1973-1968	250, 350 & 350SL Series:	
	Sealed Bearing .....	GRW219		Seal .....	15766
	Bearing Kit .....	WKH757		(Speedi-Sleeve) .....	99156
1993-1991	400, 500 & 600 Series:			Bearing (Front) .....	M86649/M86610
	Sealed Bearing .....	GRW506		Bearing (Rear) .....	HM89449/HM89410
	Bearing Kit .....	WKH3400	1973-1967	280 & 300 Series:	
1993-1985	190, 200, 230, 250, 260 & 300 From Chas. 124:			Seal .....	550199
	Sealed Bearing .....	GRW219		(Speedi-Sleeve) .....	99157
1990-1988	300SE & 300SEL:			Bearing (Front) .....	M88046/M88010
	Bearing (Inner) .....	LM300849/LM300811		Bearing (Rear) .....	HM89449/HM89410
	Bearing (Outer) .....	LM503349-A/LM503310	1972-1965	600 Series:	
1990-1986	420SEL, 560SL, 560SEC & 560SEL:			Bearing (Front) .....	HM89443/HM89410
	Bearing (Inner) .....	LM300849/LM300811		Bearing (Rear) .....	HM803149/HM803110
	Bearing (Outer) .....	LM503349-A/LM503310	1965-1962	190C & 190DC:	
1987	300SDL:			Seal .....	550199
	Bearing (Inner) .....	LM300849/LM300811		(Speedi-Sleeve) .....	99157
	Bearing (Outer) .....	LM503349-A/LM503310		Bearing (Front) .....	BR52
1985-1984	500SEC & 500SEL:			(Set Components) .....	M88048/M88010
	Bearing (Inner) .....	LM300849/LM300811		Bearing (Rear) .....	HM89449/HM89410
	Bearing (Outer) .....	LM503349-A/LM503310	1957-1953	180:	
1985-1984	190 Thru Chas. 123:			Seal .....	550231
	Sealed Bearing .....	GRW219		(Speedi-Sleeve) .....	99139
1985-1981	380 Series:		<b>Differential</b>		
	Bearing (Inner) .....	LM300849/LM300811	1980-1978	450 Series:	
	Bearing (Outer) .....	LM503349-A/LM503310		Bearing .....	LM806649/LM806610
1985-1974	230, 240D & 300 Series:		1980-1976	230 & 240D:	
	Bearing (Inner) .....	LM300849/LM300811		Bearing .....	LM503349-A/LM503310
	Bearing (Outer) .....	LM503349-A/LM503310	1980-1975	280 & 300 Series:	
	Bearing Kit .....	WKH614		Bearing .....	LM503349-A/LM503310
1981-1974	280 & 450 Series:		1977-1976	450SE & 450SEL:	
	Bearing (Inner) .....	LM300849/LM300811		Bearing .....	LM806649/LM806610
	Bearing (Outer) .....	LM503349-A/LM503310	1977-1976	450SL & 450SLC:	
1973-1972	280, 280C, 350L, 450SL & 450SLC:			Bearing .....	LM503349-A/LM503310
	Bearing (Inner) .....	LM300849/LM300811	<b>Clutch</b>		
	Bearing (Outer) .....	LM503349-A/LM503310	<b>Pilot</b>		
1973-1968	220 & 220D:		1991-1984	190 & 260:	
	Bearing (Inner) .....	LM300849/LM300811		Bearing .....	6202-2RSJ
	Bearing (Outer) .....	LM503349-A/LM503310	1989-1984	300:	
1972-1968	280S, SE & SEL:			Bearing .....	6202-2RSJ
	Bearing .....	6208-J	1980-1965	All:	
1967-1965	200, 200D, 220, 230, 230SL & 250SE:			Bearing .....	6202-J
	Bearing .....	6208-J	<b>Transmission-Automatic</b>		
1967-1951	220 & 300 Series:		<b>Rear</b>		
	Seal (Inner) .....	550199	1973-1968	250, 280 & 300 Series:	
<b>Pinion</b>				Seal .....	550230
1983-1977	230, 240, 280CE, 300CD & 300D:			(Speedi-Sleeve) .....	99157
	Seal .....	15855	1967-1951	300 Series:	
	(Speedi-Sleeve) .....	99157		Seal .....	15620
	Bearing (Front) .....	M86649/M86610		(Speedi-Sleeve) .....	99156
	Bearing (Rear) .....	HM89449/HM89410	<b>Transmission-Manual</b>		
1980-1974	280 & 300 Series:		<b>Front</b>		
	Bearing (Front) .....	M86649/M86610	1976-1973	All:	
	Bearing (Rear) .....	HM89449/HM89410		Seal .....	11625
1980-1973	450 Series:			(Speedi-Sleeve) .....	99114
	Bearing (Front) .....	M86649/M86610	<b>Rear</b>		
	Bearing (Rear) .....	M802048/M802011	1976-1973	All:	
1973-1968	220 & 220D:			Seal .....	15819
	Bearing (Front) .....	M86649/M86610		(Speedi-Sleeve) .....	99157
	Bearing (Rear) .....	HM89449/HM89410			(Continued)

MFG./YEAR	MODEL & LOCATION	PART NO.	MFG./YEAR	MODEL & LOCATION	PART NO.
<b>Engine</b>					
<b>Timing Belt Tensioner</b>					
1993-1985 190:					
	Bearing & Housing Assy. ....	VKM38001			

**Mercury (FWD) Capri (from 1991)**

<b>Wheel Front</b>		
1994-1991 All:		
Seal (Inner) .....		20427
Seal (Outer) .....		20205
Bearing .....	[2]	BR11
(Set Components) .....		JL69349/JL69310
<b>Wheel Rear</b>		
1994-1991 All:		
Seal .....		15807
Bearing (Inner) .....		BR8
(Set Components) .....		L45449/L45410
Bearing (Outer) .....		BR2
(Set Components) .....		LM11949/LM11910
<b>Clutch</b>		
<b>Pilot</b>		
1994-1991 All:		
Bearing .....		6202-2ZJ
<b>Release</b>		
1994-1991 5 Spd. Trans. w/o Turbo:		
Bearing Assembly .....		N4115
1994-1991 5 Spd. Trans. w/Turbo:		
Bearing Assembly .....		N4034
<b>Transaxle-Automatic</b>		
<b>Differential</b>		
1994-1991 w/o Turbo:		
Bearing .....	[2]	BR17
(Set Components) .....		L68149/L68111
1994-1991 Turbo:		
Bearing .....	[2]	32008-X
<b>Input Shaft</b>		
1994-1991 All:		
Seal .....		26640
(Speedi-Sleeve) .....		99266
<b>Output Shaft</b>		
1994-1991 All:		
Seal .....		14129
(Speedi-Sleeve) .....		99139
<b>Transaxle-Manual</b>		
<b>Differential</b>		
1994-1991 w/o Turbo:		
Bearing .....	[2]	BR17
(Set Components) .....		L68149/L68111
1994-1991 Turbo:		
Bearing .....	[2]	32008-X
<b>Input Shaft</b>		
1994-1991 w/o Turbo:		
Seal .....		9514
(Speedi-Sleeve) .....		99092
Bearing (Front) .....		6205-VSP25
Bearing (Rear) .....		63/28-2RSN

<b>Transaxle-Manual (Cont.)</b>		
<b>Input Shaft (Cont.)</b>		
1994-1991 Turbo:		
Seal .....		10661
(Speedi-Sleeve) .....		99106
Bearing (Front) .....		BR32
Bearing (Rear) .....		BR88
<b>Output Shaft</b>		
1994-1991 w/o Turbo:		
Seal .....		14129
(Speedi-Sleeve) .....		99139
Bearing (Front) .....		33205J
Bearing (Rear) .....		BR32205
1994-1991 Turbo:		
Seal .....		14129
(Speedi-Sleeve) .....		99139
Bearing (Rear) .....		BR88
<b>Shift Shaft</b>		
1994-1991 All:		
Seal .....		6413
(Superseded by:)		6913
<b>Air Conditioning Clutch</b>		
1994 All:		
Bearing .....		6001-2RSJ
<b>Alternator</b>		
1994-1991 All:		
Bearing (Front) .....		6303-2RSJ
Bearing (Rear) .....		6201-ZJ
<b>Engine</b>		
<b>Camshaft</b>		
1994-1991 All:		
Seal .....		13429
(Speedi-Sleeve) .....		99134
<b>Crankshaft-Rear</b>		
1994-1991 All:		
Seal .....		32715
<b>Timing Belt Tensioner</b>		
1994-1991 All:		
Bearing & Housing Assy. ....		VKM74201
<b>Timing Cover</b>		
1994-1991 From 12/90:		
Seal .....		14477
1991 Thru 12/90:		
Seal .....		11612
(Speedi-Sleeve) .....		99114

**Mercury (FWD) LN7, Lynx, Topaz**

MFG./YEAR	MODEL & LOCATION	PART NO.	MFG./YEAR	MODEL & LOCATION	PART NO.
<b>Wheel Front</b>			<b>Clutch (Cont.)</b>		
<b>1994-1984 Topaz:</b>			<b>Release (Cont.)</b>		
Seal		19793	1983	4 Spd. Ford RGT-AE, AH & AL Trans.:	
Sealed Bearing		FW113	Bearing Assembly		N4021-SA
C-Clip		CIR113	1982-1981 All:		
Hub Assembly (Kit)		BR930153K	Bearing Assembly		N4020-SA
<b>1987-1983 LN7 &amp; Lynx From 2/83:</b>			<b>Transaxle-Automatic</b>		
Seal		19793	<b>Differential</b>		
Sealed Bearing		FW113	1994-1984 All:		
C-Clip		CIR113	Bearing	[2]	6208-J
Hub Assembly (Kit)		BR930153K	1983	Ball Brg.:	
<b>1983-1981 LN7 &amp; Lynx Thru 1/83:</b>			Bearing	[2]	6208-J
Seal (Inner)		21610	1983-1981 Tapered Brg.:		
Seal (Outer)		19605	Bearing	[2]	BR35
Bearing	[2]	BR24	(Set Components)		LM501349/LM501310
<b>Wheel Rear</b>			<b>Input Shaft</b>		
<b>1994-1984 Topaz w/o A.W.D.:</b>			1994-1981 All:		
Seal		15746	Seal		23450
Bearing (Inner)		BR8	(Speedi-Sleeve)		99235
(Set Components)		L45449/L45410	<b>Output Shaft</b>		
Bearing (Outer)		BR12	1994-1981 All:		
(Set Components)		LM12749/LM12710	Seal		16901
<b>1991-1987 Topaz w/A.W.D.:</b>			(Speedi-Sleeve)		99169
Sealed Bearing		GRW183	<b>Shift Shaft</b>		
<b>1987-1984 LN7 &amp; Lynx:</b>			1994-1981 All:		
Seal		15746	Seal		9818
Bearing (Inner)		BR8	(Speedi-Sleeve)		99100
(Set Components)		L45449/L45410	<b>Transaxle-Manual</b>		
Bearing (Outer)		BR12	<b>Countershaft</b>		
(Set Components)		LM12749/LM12710	1994-1983	5 Spd. Ford RWB Trans.:	
<b>1983-1981 All:</b>			Bearing	[2]	BR16
Seal		15746	(Set Components)		LM12749/LM12711
Bearing (Inner)		BR8	<b>Differential</b>		
(Set Components)		L45449/L45410	1994-1992	Topaz w/181 (3.0L) Eng.:	
Bearing (Outer)		BR1	Bearing	[2]	BR53
(Set Components)		LM11749/LM11710	1994-1983	Four Pinion Diff.:	
<b>Axle Shaft</b>			Bearing		BR37
<b>1991-1987 Topaz w/A.W.D.:</b>			(Set Components)		LM603049/LM603011
Seal		13750	1994-1981	Two Pinion Diff.:	
Bearing		BH2212	Bearing	[2]	BR35
<b>Pinion</b>			(Set Components)		LM501349/LM501310
<b>Rear Axle</b>			<b>Input Shaft</b>		
<b>1991-1987 Topaz w/A.W.D.:</b>			1994-1992	Topaz w/181 (3.0L) Eng.:	
Seal		13562	Seal		11111
(Speedi-Sleeve)		99138	(Speedi-Sleeve)		99112
Bearing	[2]	M86649/M86610	Bearing (Rear)		LM67049-A/LM67010
<b>Differential</b>			1994-1983	5 Spd. Transaxle Exc. Topaz w/181 (3.0L) Eng.:	
<b>Rear Axle</b>			Seal		11111
<b>1991-1987 Topaz w/A.W.D.:</b>			(Speedi-Sleeve)		99112
Bearing	[2]	BR11	Bearing	[2]	LM67049-A/LM67010
(Set Components)		JL69349/JL69310	1987-1985	4 Spd. Ford RJS Trans.:	
<b>Clutch</b>			Seal		11111
<b>Release</b>			(Speedi-Sleeve)		99112
<b>1994-1989 w/o Repair Sleeve:</b>			Bearing	[2]	LM67049-A/LM67010
Bearing Assembly		N4060	1985-1981	4 Spd. Ford RGT Trans.:	
<b>1994-1989 Repair Sleeve:</b>			Bearing	[2]	BR30
Bearing Assembly		N4014			(Continued)
<b>1988-1984 All:</b>					
Bearing Assembly		N4021-SA			
<b>1983 4 Spd. Ford RGT-AC &amp; AG Trans.:</b>					
Bearing Assembly		N4020-SA			

MFG./YEAR	MODEL & LOCATION	PART NO.	MFG./YEAR	MODEL & LOCATION	PART NO.
<b>Transaxle-Manual (Cont.)</b>			<b>Engine (Cont.)</b>		
<b>Output Shaft</b>			<b>Crankshaft-Rear (Cont.)</b>		
1994-1992 Topaz w/181 (3.0L) Eng.:			1987-1981 98 (1.6L) & 116 (1.9L) Engs.:		
	Seal .....	16901		Seal .....	34611
	(Speedi-Sleeve) .....	99169		<b>Timing Belt Tensioner</b>	
	Bearing (Front) .....	BR30		1987-1986 116 (1.9L) Eng.:	
1994-1983 5 Spd. Transaxle Exc. Topaz w/181 (3.0L) Eng.:				Bearing & Housing Assy. ....	VKM54000
	Seal .....	16901		1985-1981 98 (1.6L) Eng.:	
	(Speedi-Sleeve) .....	99169		Bearing & Housing Assy. ....	VKM54000
	Bearing .....	[2] BR30		<b>Timing Belt and Tensioner Kit</b>	
1987-1981 4 Spd. Ford RGT & RJS Trans.:				1987-1986 116 (1.9L) Eng.:	
	Seal .....	16901		Belt & Tensioner Kit .....	VKMA44000
	(Speedi-Sleeve) .....	99169		1985-1981 98 (1.6L) Eng.:	
	Bearing .....	[2] BR30		Belt & Tensioner Kit .....	VKMA44000
<b>Shift Shaft</b>			<b>Timing Cover</b>		
1994-1981 All:			1994-1992 181 (3.0L) Eng.:		
	Seal .....	6103		Seal (Viton) .....	18544
	(Speedi-Sleeve) .....	99059		Seal .....	18548
<b>Transfer Case</b>				(Speedi-Sleeve) .....	99187
<b>Input Shaft</b>				(Speedi-Sleeve/Seal Kit) .....	480185
1991-1987 Topaz w/A.W.D.:				1994-1984 140 (2.3L) Eng.:	
	Bearing .....	[2] BR2		Seal .....	17787
	(Set Components) .....	LM11949/LM11910		(Speedi-Sleeve) .....	99177
	Bearing (Gear) .....	6206-NJ		1987-1984 122 (2.0L) Diesel Eng.:	
<b>Mainshaft Pilot</b>				Seal .....	13429
1991-1987 Topaz w/A.W.D.:				(Speedi-Sleeve) .....	99134
	Bearing .....	M881		1987-1981 98 (1.6L) & 116 (1.9L) Engs.:	
<b>Output Shaft</b>				Seal .....	13943
1991-1987 Topaz w/A.W.D.:				(Speedi-Sleeve) .....	99139
	Seal .....	15502	<b>Steering-Power</b>		
	(Speedi-Sleeve) .....	99155	<b>Pitman Shaft</b>		
	Bearing (Front) .....	M86647/M86610	1994-1987 All:		
	Bearing (Rear) .....	M86649/M86610		Seal .....	11407
<b>Air Conditioning Clutch</b>			<b>Pump Shaft</b>		
1990-1982 All:			1994-1981 All:		
	Bearing .....	AC2		Seal .....	6765
<b>Alternator</b>			<b>Worm Shaft</b>		
1993-1989 Mitsubishi:			1994-1990 All:		
	Bearing (Rear) .....	AB4		Bearing .....	6201-2RSJ
1990-1981 Motorcraft:					
	Bearing (Front) .....	6203-2RSJ			
	Bearing (Rear) .....	MNJ471-S			
<b>Engine</b>					
<b>Camshaft</b>					
1987-1984 122 (2.0L) Diesel Eng.:					
	Seal (Front) .....	11612			
	(Speedi-Sleeve) (Front) .....	99114			
	Seal (Rear) .....	12719			
	(Speedi-Sleeve) (Rear) .....	99128			
1987-1981 98 (1.6L) & 116 (1.9L) Engs.:					
	Seal .....	16473			
<b>Crankshaft-Rear</b>					
1994-1992 183 (3.0L) Eng.:					
	Seal .....	34611			
1994-1984 140 (2.3L) Eng.:					
	Seal .....	34611			
1987-1984 122 (2.0L) Diesel Eng.:					
	Seal .....	35409			
	(Speedi-Sleeve) .....	99354			

**Mercury (FWD) Mystique**

MFG./YEAR	MODEL & LOCATION	PART NO.	MFG./YEAR	MODEL & LOCATION	PART NO.
<b>Wheel Front</b>			<b>Engine (Cont.)</b>		
1995	All:		<b>Crankshaft-Rear (Cont.)</b>		
	Sealed Bearing .....	FW177	1995	152 (2.5L) Eng.:	
	C-Clip .....	CIR177		Seal .....	36147
	Hub Assembly (Kit) .....	BR930511K		(Speedi-Sleeve) .....	99362
<b>Wheel Rear</b>			<b>Timing Belt Idler</b>		
1995	All:		1995	121 (2.0L) Eng.:	
	Hub Assembly .....	BR930150		Bearing & Housing Assy. ....	VKM64002
<b>Transaxle-Automatic</b>			<b>Timing Belt Tensioner</b>		
<b>Input Shaft</b>			1995	121 (2.0L) Eng.:	
1995	All:			Bearing & Housing Assy. ....	VKM54002
	Seal .....	21410	<b>Timing Belt and Tensioner Kit</b>		
<b>Output Shaft</b>			1995	121 (2.0L) Eng.:	
1995	All:			Belt & Tensioner Kit .....	VKMA44004
	Seal .....	16626	<b>Timing Cover</b>		
<b>Transaxle-Manual</b>			1995	121 (2.0L) Eng.:	
<b>Input Shaft</b>				Seal (Silicone) .....	13943
1995	All:			(Speedi-Sleeve) (Silicone) .....	99139
	Bearing (Front) .....	BR85		Seal (Teflon) .....	13716
	Bearing (Rear) .....	BR32205		(Speedi-Sleeve) (Teflon) .....	99139
<b>Shift Shaft</b>			1995	152 (2.5L) Eng.:	
1995	All:			Seal .....	18757
	Seal .....	↔6413		(Speedi-Sleeve) .....	99187
	(Superseded by:)	6913	<b>Steering-Power</b>		
<b>Air Conditioning Compressor</b>			<b>Pitman Shaft</b>		
1995	All:		1995	All:	
	Bearing .....	5106-WCC		Seal .....	11407
<b>Engine</b>			<b>Worm Shaft</b>		
<b>Camshaft</b>			1995	All:	
1995	152 (2.5L) Eng.:			Bearing .....	6000-2RSJ
	Seal .....	10598			
	(Speedi-Sleeve) .....	99106			
1995	121 (2.0L) Eng.:				
	Seal .....	16487			
<b>Crankshaft-Rear</b>					
1995	121 (2.0L) Eng.:				
	Seal .....	34611			

**Mercury (FWD) Sable (thru 1995)**

<b>Wheel Front</b>			<b>Wheel Rear (Cont.)</b>		
1995-1991	From 2/91:		1989-1986	All:	
	Sealed Bearing .....	FW115		Seal .....	19221
	C-Clip .....	CIR115		Bearing (Inner) .....	BR6
	Hub Assembly (Kit) .....	BR930152K		(Set Components) .....	LM67048/LM67010
1991-1986	Thru 2/91:			Bearing (Outer) .....	BR12
	Sealed Bearing .....	FW115		(Set Components) .....	LM12749/LM12710
	C-Clip .....	CIR115	<b>Transaxle-Automatic</b>		
	Hub Assembly (Kit) .....	BR930151K	<b>Differential</b>		
<b>Wheel Rear</b>			1995-1986	All:	
1995-1993	Rr. Disc Brks. & ABS:			Bearing .....	[2] 6208-J
	Hub Assembly .....	BR930107	<b>Front Pump</b>		
1995-1993	Rr. Drum Brks. w/o ABS:		1995	AX4N Transaxle:	
	Hub Assembly .....	BR930106		Seal .....	19730
1992	w/o ABS:			(Continued)	
	Hub Assembly .....	BR930106			
1992-1990	ABS:				
	Hub Assembly .....	BR930105			



# Passenger cars, light & medium trucks

## (Cont.) -- Mercury (FWD) Sable (thru 1995)

MFG./YEAR	MODEL & LOCATION	PART NO.	MFG./YEAR	MODEL & LOCATION	PART NO.
<b>Transaxle-Automatic (Cont.)</b>			<b>Engine (Cont.)</b>		
<b>Input Shaft</b>			<b>Timing Cover</b>		
1995-1992 AXOD, AXOD-E, AX4N & AX4S Trans.:			1995-1986 181 (3.0L) & 230 (3.8L) Engs.:		
	Seal .....	19730		Seal (Viton) .....	18544
1992-1986 w/o AXOD Trans.:				Seal .....	18548
	Seal .....	23450		(Speedi-Sleeve) .....	99187
	(Speedi-Sleeve) .....	99235		(Speedi-Sleeve/Seal Kit) .....	480185
<b>Output Shaft</b>			1986 153 (2.5L) Eng.:		
1995-1986 All:				Seal .....	17787
	Seal .....	16901		(Speedi-Sleeve) .....	99177
	(Speedi-Sleeve) .....	99169	<b>Steering-Power</b>		
<b>Shift Shaft</b>			<b>Pitman Shaft</b>		
1992-1986 w/o AXOD Trans.:			1995-1993 All:		
	Seal (Inner) .....	9818		Bearing .....	FC65753
	(Speedi-Sleeve) (Inner) .....	99100	1992-1986 All:		
	Seal (Outer) .....	3632		Seal .....	11407
<b>Air Conditioning Clutch</b>			<b>Worm Shaft</b>		
1995-1989 All:			1995-1990 All:		
	Bearing .....	5106-WCC		Bearing .....	6201-2RSJ
<b>Alternator</b>			<b>Steering-Standard</b>		
1995-1990 90 Amp. Mitsubishi:			<b>Pitman Shaft</b>		
	Bearing (Rear) .....	AB4	1992-1986 All:		
1990-1986 Motorcraft:				Seal .....	11407
	Bearing (Front) .....	6203-2RSJ			
	Bearing (Rear) .....	MNJ471-S			
<b>Engine</b>					
<b>Crankshaft-Rear</b>					
1995-1988 232 (3.8L) Eng.:					
	Seal .....	36147			
	(Speedi-Sleeve) .....	99362			
1995-1986 181 (3.0L) Eng.:					
	Seal .....	34611			
1986 153 (2.5L) Eng.:					
	Seal .....	34611			

## Mercury (FWD) Tracer

<b>Wheel Front</b>			<b>Wheel Rear (Cont.)</b>		
1995-1991 All:			1989-1988 Sta. Wgn.:		
	Seal .....	22454		Seal .....	18877
	Sealed Bearing .....	FW143		Bearing (Inner) .....	BR15123/BR15245
	C-Clip .....	CIR143		Bearing (Outer) .....	BR2
1989-1987 All:				(Set Components) .....	LM11949/LM11910
	Seal (Inner) .....	20427	1989-1987 Exc. Sta. Wgn.:		
	Seal (Outer) .....	20205		Seal .....	15807
	Bearing .....	[2] BR11		Bearing (Inner) .....	BR8
	(Set Components) .....	JL69349/JL69310		(Set Components) .....	L45449/L45410
<b>Axle Shaft</b>				Bearing (Outer) .....	BR2
1995-1991 All:				(Set Components) .....	LM11949/LM11910
	Seal .....	14129	<b>Clutch</b>		
<b>Wheel Rear</b>			<b>Pilot</b>		
1995-1994 Rr. Disc Brks.:			1995-1991 5 Spd. Trans. w/110 (1.8L) Eng.:		
	Hub Assembly .....	BR930243		Bearing .....	6202-2ZJ
1995-1991 Rr. Drum Brks. w/o ABS:			1995-1991 5 Spd. Trans. w/116 (1.9L) Eng.:		
	Hub Assembly .....	BR930043		Bearing .....	FC65354
			1989-1987 All:		
				Bearing .....	6202-2ZJ
			(Continued)		

Mercury (FWD) Tracer -- (Cont.)

MFG./YEAR	MODEL & LOCATION	PART NO.	MFG./YEAR	MODEL & LOCATION	PART NO.
<b>Clutch (Cont.)</b>			<b>Transaxle-Manual (Cont.)</b>		
<b>Release</b>			<b>Output Shaft</b>		
1995-1991	5 Spd. Trans. w/110 (1.8L) Eng.:		1995-1991	110 (1.8L) & 122 (2.0L) Eng.s.:	
	Bearing Assembly .....	N4067	Seal .....		14129
1995-1991	5 Spd. Trans. w/116 (1.9L) Eng.:		(Speedi-Sleeve) .....		99139
	Bearing Assembly .....	N4115	Bearing (Rear) .....		BR88
1989-1987	All:		1995-1991	116 (1.9L) Eng.:	
	Bearing Assembly .....	N4063	Seal .....		14129
<b>Transaxle-Automatic</b>			(Speedi-Sleeve) .....		99139
<b>Differential</b>			Bearing (Front) .....		33205J
1995-1991	All:		Bearing (Rear) .....		BR32205
	Bearing .....	BR17	1989-1987	All:	
	(Set Components) .....	L68149/L68111	Seal .....		14129
1989-1987	All:		(Speedi-Sleeve) .....		99139
	Bearing .....	[2] BR17	Bearing (Front) .....		BR32205
	(Set Components) .....	L68149/L68111	Bearing (Rear) .....		BR65
<b>Input Shaft</b>			<b>Shift Shaft</b>		
1995-1991	All:		1995-1987	All:	
	Seal .....	26640	Seal .....		◇6413
	(Speedi-Sleeve) .....	99266	(Superseded by).....		6913
1989-1987	All:		<b>Air Conditioning Clutch</b>		
	Seal .....	17790	1995-1991	FX-15 Comp.:	
	(Speedi-Sleeve) .....	99177	Bearing .....		5106-WCC
<b>Output Shaft</b>			1989-1987	All:	
1995-1991	All:		Bearing .....		AC2
	Seal .....	14129	<b>Alternator</b>		
	(Speedi-Sleeve) .....	99139	1995-1991	110 (1.8L) Eng. From 3/91:	
1989-1987	All:		Bearing (Front) .....		6303-2RSJ
	Seal .....	14129	Bearing (Rear) .....		AB4
	(Speedi-Sleeve) .....	99139	1991	110 (1.8L) Eng. Thru 3/91:	
<b>Transaxle-Manual</b>			Bearing (Front) .....		AB10
<b>Differential</b>			Bearing (Rear) .....		AB4
1995-1991	110 (1.8L) Eng.:		1989-1987	All:	
	Bearing .....	[2] 32008-X	Bearing (Front) .....		AB10
1995-1991	116 (1.9L) Eng.:		<b>Engine</b>		
	Bearing .....	[2] BR17	<b>Camshaft</b>		
	(Set Components) .....	L68149/L68111	1995-1991	112 (1.8L) Eng.:	
1989-1987	All:		Seal .....		13429
	Bearing .....	[2] BR17	(Speedi-Sleeve) .....		99134
	(Set Components) .....	L68149/L68111	1995-1991	1.9L Eng.:	
<b>Input Shaft</b>			Seal .....		16473
1995-1991	110 (1.8L) & 122 (2.0L) Eng.s.:		1989-1987	98 (1.6L) Eng.:	
	Seal .....	10661	Seal .....		11612
	(Speedi-Sleeve) .....	99106	(Speedi-Sleeve) .....		99114
	Bearing (Front) .....	BR32	<b>Crankshaft-Rear</b>		
	Bearing (Rear) .....	BR88	1995-1991	112 (1.8L) Eng.:	
1995-1991	116 (1.9L) Eng.:		Seal .....		32715
	Seal .....	9514	1995-1991	116 (1.9L) Eng.:	
	(Speedi-Sleeve) .....	99092	Seal .....		34611
	Bearing (Front) .....	6205-VSP25	1989-1987	98 (1.6L) Eng.:	
	Bearing (Rear) .....	63/28-2RSN	Seal .....		32715
1989-1987	All:		<b>Timing Belt Idler</b>		
	Seal .....	9514	1995	116 (1.9L) Eng.:	
	(Speedi-Sleeve) .....	99092	Bearing & Housing Assy. ....		VKM64000
	Bearing (Front) .....	BR14	Bearing & Housing Assy. Kit .....		VKM64100
	(Set Components) .....	L44643/L44610	<b>Timing Belt Tensioner</b>		
	Bearing (Rear) .....	BR65	1995-1991	112 (1.8L) Eng.:	
<b>Transaxle-Manual (Cont.)</b>			Bearing & Housing Assy. ....		VKM74201
<b>Differential</b>			1994-1991	116 (1.9L) Eng.:	
<b>Input Shaft</b>			Bearing & Housing Assy. ....		VKM54000
<b>Output Shaft</b>			(Continued)		

# Passenger cars, light & medium trucks

## (Cont.) -- Mercury (FWD) Tracer

MFG./YEAR	MODEL & LOCATION	PART NO.	MFG./YEAR	MODEL & LOCATION	PART NO.
<b>Engine (Cont.)</b>			<b>Steering-Power</b>		
<b>Timing Belt and Tensioner Kit</b>			<b>Pitman Shaft</b>		
1995-1991	116 (1.9L) Eng. From 3/25/91:		1995-1991	116 (1.9L) Eng.:	
	Belt & Tensioner Kit .....	VKMA44100		Seal .....	11407
1995-1991	110 (1.8L) Eng.:		<b>Pump Shaft</b>		
	Belt & Tensioner Kit .....	VKMA94201	1995-1991	116 (1.9L) Eng.:	
1989-1988	98 (1.6L) Eng.:			Seal .....	6765
	Belt & Tensioner Kit .....	VKMA94101	<b>Worm Shaft</b>		
<b>Timing Cover</b>			1995-1991	116 (1.9L) Eng.:	
1995-1991	112 (1.8L) Eng. From 2/1/91:			Bearing .....	6000-2RSJ
	Seal .....	14477			
1995-1991	116 (1.9L) Eng.:				
	Seal .....	13943			
	(Speedi-Sleeve) .....	99139			
1991	112 (1.8L) Eng. Thru 2/1/91:				
	Seal .....	11612			
	(Speedi-Sleeve) .....	99114			
1989-1987	98 (1.6L) Eng.:				
	Seal .....	11612			
	(Speedi-Sleeve) .....	99114			

## Mercury (FWD) Villager

<b>Wheel Front</b>			<b>Engine</b>		
1995-1993	All:		<b>Camshaft</b>		
	Bearing .....	FW154	1995-1993	182 (3.0L) & 201 (3.3L) Eng.:	
	C-Clip .....	CIR154		Seal .....	13429
<b>Axle Shaft</b>				(Speedi-Sleeve) .....	99134
1995-1993	All:		<b>Crankshaft-Rear</b>		
	Seal .....	15372	1995-1993	182 (3.0L) Eng.:	
<b>Wheel Rear</b>				Seal .....	33405
1995-1993	All:			(Speedi-Sleeve) .....	99331
	Hub Assembly .....	BR930057	<b>Timing Belt Tensioner</b>		
<b>Transaxle-Automatic</b>			1995-1993	182 (3.0L) Eng.:	
<b>Differential</b>				Bearing & Housing Assy. ....	VKM72004
1995-1993	All:		<b>Timing Belt and Tensioner Kit</b>		
	Bearing .....	[2] 32009-X	1995-1993	182 (3.0L) Eng. w/Round Tooth Sprocket:	
<b>Front Pump</b>				Belt & Tensioner Kit .....	VKMA92006
1995-1993	All:		1995-1993	182 (3.0L) Eng. w/Square Tooth Sprocket:	
	Seal .....	17134		Belt & Tensioner Kit .....	VKMA92004
<b>Output Shaft</b>			<b>Timing Cover</b>		
1995-1993	All:		1995-1993	182 (3.0L) Eng.:	
	Seal .....	13005		Seal .....	12886
	(Speedi-Sleeve) .....	99121		(Speedi-Sleeve) .....	99121
	Bearing .....	BR3513	<b>Steering-Power</b>		
<b>Air Conditioning Compressor</b>			<b>Pump Shaft</b>		
1995-1994	All:		1994-1993	All:	
	Bearing .....	5106-WCC		Seal .....	7920
<b>Alternator</b>					
1995-1993	All:				
	Bearing (Front) .....	6303-2RSJ			
	Bearing (Rear) .....	AB4			

**Mercury (RWD) (Full Size), Grand Marquis, Marauder, Marquis (thru 1982),  
Montclair, Monterey (thru 1974), Parklane, S-55, Turnpike Cruiser**

MFG./YEAR	MODEL & LOCATION	PART NO.	MFG./YEAR	MODEL & LOCATION	PART NO.
<b>Wheel Front</b>			<b>Wheel Front (Cont.)</b>		
1995-1992	All:		1958	Parklane:	
	Hub Assembly	BR930060	Seal		19223
1991-1974	All:		Bearing (Inner)		BR5
	Seal	19221	(Set Components)		LM48548/LM48510
	Bearing (Inner)	BR11	Bearing (Outer)		BR3
	(Set Components)	JL69349/JL69310	(Set Components)		M12649/M12610
	Bearing (Outer)	BR12	1957-1955	All:	
	(Set Components)	LM12749/LM12710	Seal		19221
1973-1970	All:		Bearing (Inner)		BR6
	Seal	19221	(Set Components)		LM67048/LM67010
	Bearing (Inner)	BR13	Bearing (Outer)		BR2
	(Set Components)	L68149/L68110	(Set Components)		LM11949/LM11910
	Bearing (Outer)	BR12	1953-1952	All:	
	(Set Components)	LM12749/LM12710	Seal		16811
1969-1968	All:		<b>Wheel Rear</b>		
	Seal	19221	1995-1979	All:	
	Bearing (Inner)	BR6	Seal		13992
	(Set Components)	LM67048/LM67010	Bearing		R1563-TAV
	Bearing (Outer)	BR2	(Axle Repair Brg. Assy.)		• R1563
	(Set Components)	LM11949/LM11910	1978-1974	Taper Brg. w/o WER Axle:	
1967-1963	Disc Brks.:		Seal		18881
	Seal	19223	Bearing		BR20
	Bearing (Inner)	BR5	1978-1973	Ball Brg. Exc. WER Axle:	
	(Set Components)	LM48548/LM48510	Seal		15142
	Bearing (Outer)	BR3	Bearing w/Lock Ring		88128-RB
	(Set Components)	M12649/M12610	1978-1971	WER Axle:	
1967-1963	Drum Brks.:		Seal		13992
	Seal	19221	Bearing		R1563-TAV
	Bearing (Inner)	BR6	(Axle Repair Brg. Assy.)		• R1563
	(Set Components)	LM67048/LM67010	1972-1966	w/o WER Axle:	
	Bearing (Outer)	BR2	Seal		15142
	(Set Components)	LM11949/LM11910	Sealed Bearing w/Lock Ring		88128-R
1962-1961	All:		1965-1957	All:	
	Seal	19221	Seal (2.378" O.D.)		13738
	Bearing (Inner)	BR6	Sealed Bearing w/Lock Ring		88128-R
	(Set Components)	LM67048/LM67010	Seal (2.506" O.D.)		15142
	Bearing (Outer)	BR2	Sealed Bearing w/Lock Ring		RW207-CCRA
	(Set Components)	LM11949/LM11910	1956-1952	Exc. Sta. Wgn.:	
1960-1959	Exc. Montclair, Monterey Convertible & Parklane:		Seal		13865
	Seal	19221	Bearing w/Lock Ring		88107-AR
	Bearing (Inner)	BR6	1954-1953	Sta. Wgn.:	
	(Set Components)	LM67048/LM67010	Seal		15142
	Bearing (Outer)	BR2	Sealed Bearing w/Lock Ring		88128-R
	(Set Components)	LM11949/LM11910	1951-1949	All:	
1960-1959	Montclair, Monterey Convertible & Parklane:		Seal		15142
	Seal	19223	Sealed Bearing w/Lock Ring		88128-R
	Bearing (Inner)	BR5	<b>Pinion</b>		
	(Set Components)	LM48548/LM48510	1995-1970	w/o 9.00" Ring Gear:	
	Bearing (Outer)	BR3	Seal		18136
	(Set Components)	M12649/M12610	(Speedi-Sleeve)		99181
1958	Exc. Parklane:		Bearing (Front)		BR52
	Seal	19221	(Set Components)		M88048/M88010
	Bearing (Inner)	BR6	Bearing (Rear)		M802048/M802011
	(Set Components)	LM67048/LM67010	1978-1973	9.00" Ring Gear:	
	Bearing (Outer)	BR2	Seal		18833
	(Set Components)	LM11949/LM11910	(Speedi-Sleeve)		99181
			Bearing		[2] BR52
			(Set Components)		M88048/M88010
			Bearing (Pilot)		R1535-TAV
					(Continued)

**Passenger cars, light & medium trucks**

**(Cont.) -- Mercury (RWD) (Full Size), Grand Marquis, Marauder, Marquis (thru 1982), Montclair, Monterey (thru 1974), Parklane, S-55, Turnpike Cruiser**

MFG./YEAR	MODEL & LOCATION	PART NO.	MFG./YEAR	MODEL & LOCATION	PART NO.
<b>Pinion (Cont.)</b>			<b>Differential (Cont.)</b>		
1972-1966	WDT & WFH Axles:		1970-1966	Exc. WDC-CAX & WDT Axles:	
	Seal ..... [Speedi-Sleeve] .....	18833 99181		Bearing ..... [2] BR37 (Set Components) .....	LM603049/LM603011
	Bearing (Front) ..... [Set Components] .....	BR52 M88048/M88010	1968-1966	WDC-CAX Axle:	
	Bearing (Rear) .....	HM89444/HM89410		Bearing ..... [2] BR35 (Set Components) .....	LM501349/LM501310
1972-1966	9.00" Ring Gear w/WDC, WDD, WDL & WFG Axles:		1965	w/o WDD-D1 Axle:	
	Seal ..... [Speedi-Sleeve] .....	18833 99181		Bearing ..... [2] BR37 (Set Components) .....	LM603049/LM603011
	Bearing ..... [2] BR52 (Set Components) .....	M88048/M88010	1965	WDD-D1 Axle:	
	Bearing (Pilot) .....	R1535-TAV		Bearing ..... [2] BR35 (Set Components) .....	LM501349/LM501310
1965-1964	427 (7.0L) Eng.:		1964	All:	
	Seal ..... [Speedi-Sleeve] .....	18833 99181		Bearing ..... [2] BR37 (Set Components) .....	LM603049/LM603011
	Bearing (Front) ..... [Set Components] .....	BR52 M88048/M88010	1963-1961	390 (6.4L), 406 (6.7L) & 427 (7.0L) Eng.:	
	Bearing (Rear) .....	HM89443/HM89410		Bearing ..... [2] BR37 (Set Components) .....	LM603049/LM603011
1965-1958	Late '58 Exc. 427 (7.0L) Eng.:		1962-1961	w/o 390 (6.4L), 406 (6.7L) & 427 (7.0L) Eng.:	
	Seal ..... [Speedi-Sleeve] .....	18833 99181		Bearing ..... [2] BR35 (Set Components) .....	LM501349/LM501310
	Bearing ..... [2] BR52 (Set Components) .....	M88048/M88010	1960-1959	w/o 312 Eng.:	
	Bearing (Pilot) .....	R1535-TAV		Bearing ..... [2] BR37 (Set Components) .....	LM603049/LM603011
1958-1957	Early '58:		1960-1959	312 Eng.:	
	Seal ..... [Speedi-Sleeve] .....	18276 99181		Bearing ..... [2] BR35 (Set Components) .....	LM501349/LM501310
	Bearing ..... [2] BR52 (Set Components) .....	M88048/M88010	1958-1957	All:	
	Bearing (Pilot) .....	R1535-TAV		Bearing ..... [2] BR37 (Set Components) .....	LM603049/LM603011
1956-1955	All:		1956-1955	All:	
	Seal ..... [Speedi-Sleeve] .....	16422 99162		Bearing ..... [2] BR25590/BR25523	
	Bearing (Front) .....	BR02872/BR02820	<b>Kit</b>		
	Bearing (Rear) .....	BR3877/BR3820	1995-1981	8.80 " Ring Gear:	
1954-1953	Sta. Wgn.:			Standard Seal and Bearing Kit Rear .....	SDK311
	Seal ..... [Speedi-Sleeve] .....	15788 99155		Master Seal and Bearing Kit Rear .....	SDK311-MK
1954-1952	Exc. Sta. Wgn.:		1982-1981	7.50 " Ring Gear:	
	Seal ..... [Speedi-Sleeve] .....	16422 99162		Standard Seal and Bearing Kit Rear .....	SDK315
1951-1949	All:		1980-1973	9.00 " 31 spline STSP 5/11/1970 Ring Gear:	
	Seal ..... [Speedi-Sleeve] .....	15788 99155		Standard Seal and Bearing Kit Rear .....	SDK313
<b>Differential</b>			<b>Clutch</b>		
1995-1979	8.50" & 8.80" Ring Gears:		<b>Pilot</b>		
	Bearing ..... [2] BR36 (Set Components) .....	LM603049/LM603012	1963	All:	
1985-1979	7.50" Ring Gear:			Bearing ..... 6203-ZJ	
	Bearing ..... [2] BR72 (Set Components) .....	LM501349/LM501314	1962-1961	223 & 292 Eng.:	
1978-1973	8.70" & 9.00" Ring Gears:			Bearing ..... 6203-ZJ	
	Bearing ..... [2] BR50 (Set Components) .....	LM102949/LM102910	1960-1959	312 Eng.:	
1972-1971	w/o WDT Axle:			Bearing ..... 6203-ZJ	
	Bearing ..... [2] BR50 (Set Components) .....	LM102949/LM102910	1957-1946	All:	
1972-1966	WDT Axle:			Bearing ..... 6203-ZJ	
	Bearing ..... [2] BR25590/BR25520		<b>Release</b>		
			1971-1966	w/o 410, 427 & 428 Eng.:	
				Bearing Assembly .....	N1444
				(Self-Aligning) .....	N1444-SA
				(Heavy Duty) .....	N1439
			1970-1966	410, 427 & 428 Eng.:	
				Bearing Only .....	N1087
				Bearing Assembly .....	N1493

(Continued)

**Mercury (RWD) (Full Size), Grand Marquis, Marauder, Marquis (thru 1982),  
Montclair, Monterey (thru 1974), Parklane, S-55, Turnpike Cruiser -- (Cont.)**

MFG./YEAR	MODEL & LOCATION	PART NO.	MFG./YEAR	MODEL & LOCATION	PART NO.
-----------	------------------	----------	-----------	------------------	----------

**Clutch (Cont.)**

**Release (Cont.)**

<b>1965</b>	<b>w/o 4 Spd. Trans. w/427 Eng.:</b>	
Bearing Assembly	.....	<b>N1444</b>
(Self-Aligning)	.....	<i>N1444-SA</i>
(Heavy Duty)	.....	<i>N1439</i>
<b>1965</b>	<b>4 Spd. Trans. w/427 Eng.:</b>	
Bearing Only	.....	<b>N1087</b>
Bearing Assembly	.....	<b>N1493</b>
<b>1964</b>	<b>4 Spd. Trans. From 3/22/64:</b>	
Bearing Only	.....	<b>N1087</b>
Bearing Assembly	.....	<b>N1493</b>
<b>1964-1961</b>	<b>w/o 4 Spd. Trans. Thru 3/22/64:</b>	
Bearing Assembly	.....	<b>N1444</b>
(Self-Aligning)	.....	<i>N1444-SA</i>
(Heavy Duty)	.....	<i>N1439</i>

**Transmission-Automatic**

**Front Pump**

<b>1995-1992</b>	<b>AOD-E/4R70W Trans.:</b>	
Seal	.....	<b>19799</b>
(Reorder:)	.....	<b>+20031</b>
(Speedi-Sleeve)	.....	<i>99196</i>
<b>1992-1973</b>	<b>AOD Trans.:</b>	
Seal	.....	<b>19807</b>
(Speedi-Sleeve)	.....	<i>99199</i>
(Speedi-Sleeve/Seal Kit)	.....	<i>480198</i>
<b>1974</b>	<b>Borg Warner Trans.:</b>	
Seal	.....	<b>19240</b>
(Speedi-Sleeve)	.....	<i>99193</i>
<b>1972-1969</b>	<b>All:</b>	
Seal	.....	<b>19807</b>
(Speedi-Sleeve)	.....	<i>99199</i>
(Speedi-Sleeve/Seal Kit)	.....	<i>480198</i>
<b>1967-1966</b>	<b>w/o 390 (6.4L) Eng.:</b>	
Seal	.....	<b>19807</b>
(Speedi-Sleeve)	.....	<i>99199</i>
(Speedi-Sleeve/Seal Kit)	.....	<i>480198</i>
<b>1967-1966</b>	<b>390 (6.4L) Eng.:</b>	
Seal	.....	<b>19240</b>
(Speedi-Sleeve)	.....	<i>99193</i>
<b>1965-1963</b>	<b>All:</b>	
Seal	.....	<b>19240</b>
(Speedi-Sleeve)	.....	<i>99193</i>
<b>1962-1961</b>	<b>w/o 2 Spd. Trans.:</b>	
Seal	.....	<b>19240</b>
(Speedi-Sleeve)	.....	<i>99193</i>
<b>1962-1961</b>	<b>2 Spd. Trans.:</b>	
Seal	.....	<b>19807</b>
(Speedi-Sleeve)	.....	<i>99199</i>
(Speedi-Sleeve/Seal Kit)	.....	<i>480198</i>
<b>1960-1949</b>	<b>All:</b>	
Seal	.....	<b>19240</b>
(Speedi-Sleeve)	.....	<i>99193</i>

**Rear**

<b>1995</b>	<b>From 9/26/94:</b>	
Seal	.....	<b>15966</b>
<b>1994-1973</b>	<b>AOD, AOD-E, AOT &amp; C4 Trans. Thru 9/26/94:</b>	
Seal	.....	<b>14978</b>
(Speedi-Sleeve)	.....	<i>99149</i>
(Speedi-Sleeve/Seal Kit)	.....	<i>480148</i>
Seal & Bushing Kit	.....	<b>14982</b>

**Transmission-Automatic (Cont.)**

**Rear (Cont.)**

<b>1981-1971</b>	<b>FMX Trans.:</b>	
Seal	.....	<b>16725</b>
Seal & Bushing Kit	.....	<b>16727</b>
(Speedi-Sleeve)	.....	<i>99168</i>
(Speedi-Sleeve/Seal Kit)	.....	<i>480168</i>
<b>1970-1965</b>	<b>Cruise-O-Matic Trans. w/14 Bolt Pan:</b>	
Seal	.....	<b>16725</b>
Seal & Bushing Kit	.....	<b>16727</b>
(Speedi-Sleeve)	.....	<i>99168</i>
(Speedi-Sleeve/Seal Kit)	.....	<i>480168</i>
<b>1964-1961</b>	<b>w/o 390 (6.4L) Eng.:</b>	
Seal	.....	<b>14978</b>
(Speedi-Sleeve)	.....	<i>99149</i>
(Speedi-Sleeve/Seal Kit)	.....	<i>480148</i>
<b>1964-1961</b>	<b>390 (6.4L) Eng.:</b>	
Seal	.....	<b>16725</b>
(Speedi-Sleeve)	.....	<i>99168</i>
(Speedi-Sleeve/Seal Kit)	.....	<i>480168</i>
<b>1960-1959</b>	<b>All:</b>	
Seal	.....	<b>16725</b>
(Speedi-Sleeve)	.....	<i>99168</i>
(Speedi-Sleeve/Seal Kit)	.....	<i>480168</i>
<b>1958</b>	<b>w/o Single Range Trans.:</b>	
Seal	.....	<b>16725</b>
(Speedi-Sleeve)	.....	<i>99168</i>
(Speedi-Sleeve/Seal Kit)	.....	<i>480168</i>
<b>1958</b>	<b>Single Range Trans.:</b>	
Seal	.....	<b>15005</b>
(Speedi-Sleeve)	.....	<i>99149</i>
(Speedi-Sleeve/Seal Kit)	.....	<i>480152</i>
<b>1957-1955</b>	<b>All:</b>	
Seal	.....	<b>16725</b>
(Speedi-Sleeve)	.....	<i>99168</i>
(Speedi-Sleeve/Seal Kit)	.....	<i>480168</i>
<b>1954-1949</b>	<b>All:</b>	
Seal	.....	<b>15005</b>
(Speedi-Sleeve)	.....	<i>99149</i>
(Speedi-Sleeve/Seal Kit)	.....	<i>480152</i>

**Shift Shaft**

<b>1995-1973</b>	<b>All:</b>	
Seal	.....	<b>7556</b>
(Speedi-Sleeve)	.....	<i>99076</i>

**Transmission-Manual**

**Countershaft**

<b>1971-1961</b>	<b>3 Spd. Trans. w/o 223 &amp; 292 Engs.:</b>	
Bearing	.....	[50] <b>C1086-Q</b>
<b>1962-1961</b>	<b>3 Spd. Trans. w/223 &amp; 292 Engs.:</b>	
Bearing	.....	[44] <b>C407-Q</b>

**Front**

<b>1971-1969</b>	<b>4 Spd. Ford Trans.:</b>	
Bearing	.....	<b>6209-NRJ</b>
<b>1971-1963</b>	<b>3 Spd. Trans.:</b>	
Seal	.....	<b>11123</b>
(Speedi-Sleeve)	.....	<i>99112</i>
Bearing	.....	■ <b>6208-NRJ</b>

(Continued)

# Passenger cars, light & medium trucks

(Cont.) -- Mercury (RWD) (Full Size), Grand Marquis, Marauder, Marquis (thru 1982), Montclair, Monterey (thru 1974), Parklane, S-55, Turnpike Cruiser

MFG./YEAR	MODEL & LOCATION	PART NO.	MFG./YEAR	MODEL & LOCATION	PART NO.
<b>Transmission-Manual (Cont.)</b>			<b>Transmission-Manual (Cont.)</b>		
<b>Front (Cont.)</b>			<b>Front (Cont.)</b>		
1968	4 Spd. Trans. w/410, 426, 427 & 428 Engs.:		1958-1955	3 Spd. Trans.:	
	Seal ..... 13534			Seal ..... 11123	
	(Speedi-Sleeve) ..... 99138			(Speedi-Sleeve) ..... 99112	
	Bearing ..... 6209-NRJ			Bearing ..... 6307-NRJ	
1968-1966	4 Spd. Trans. w/390 Eng.:		<b>Mainshaft Pilot</b>		
	Seal ..... 11123		1971-1964	3 & 4 Spd. Ford Trans.:	
	(Speedi-Sleeve) ..... 99112			Bearing ..... [15] QBR23549	
	Bearing ..... 6209-NRJ		1963	3 Spd. Trans.:	
1967-1966	4 Spd. Trans. w/410 & 428 Engs.:			Bearing ..... [15] QBR23549	
	Seal ..... 13534		1962-1951	3 Spd. Trans. Exc. 312 Eng.:	
	(Speedi-Sleeve) ..... 99138			Bearing ..... [15] QBR23549	
	Bearing ..... 6209-NRJ		1959	3 Spd. Trans. w/312 Eng.:	
1965	4 Spd. Trans. w/390 Eng.:			Bearing ..... [14] W1518-Q	
	Seal ..... 11123		<b>Rear</b>		
	(Speedi-Sleeve) ..... 99112		1971-1969	4 Spd. Trans.:	
	Bearing ..... 6209-NRJ			Bearing ..... 6307-NRJ	
1965	4 Spd. Trans. w/410, 426 & 428 Engs.:		1971-1966	0/D Trans.:	
	Seal ..... 13534			Seal ..... 15005	
	(Speedi-Sleeve) ..... 99138			(Speedi-Sleeve) ..... 99149	
	Bearing ..... 6208-ZNRJ			(Speedi-Sleeve/Seal Kit) ..... 480152	
1965	4 Spd. Trans. w/427 Eng.:		1971-1966	3 Spd. Trans.:	
	Seal ..... 13534			Seal ..... 15005	
	(Speedi-Sleeve) ..... 99138			(Speedi-Sleeve) ..... 99149	
	Bearing ..... 6209-NRJ			(Speedi-Sleeve/Seal Kit) ..... 480152	
1965	4 Spd. Trans. Canadian:			Bearing ..... ■ 6207-NRJ	
	Seal ..... 11123		1968-1965	4 Spd. Trans. w/351 & 429 Engs.:	
	(Speedi-Sleeve) ..... 99112			Bearing ..... 6307-NRJ	
	Bearing ..... 6307-NRJ		1968-1965	4 Spd. Trans. w/390 Eng.:	
1964	4 Spd. Trans. w/410, 426 & 428 Engs.:			Seal ..... 15005	
	Seal ..... 13534			(Speedi-Sleeve) ..... 99149	
	(Speedi-Sleeve) ..... 99138			(Speedi-Sleeve/Seal Kit) ..... 480152	
1964	4 Spd. Trans. w/427 Eng.:			Bearing ..... 6307-NRJ	
	Seal ..... 13534		1968-1965	4 Spd. Trans. w/410, 427 & 428 Engs.:	
	(Speedi-Sleeve) ..... 99138			Seal ..... 16725	
	Bearing ..... 6209-NRJ			(Speedi-Sleeve) ..... 99168	
1964-1962	4 Spd. Trans. w/390 Eng.:			(Speedi-Sleeve/Seal Kit) ..... 480168	
	Seal ..... 11123			Bearing ..... 6307-NRJ	
	(Speedi-Sleeve) ..... 99112		1968-1965	4 Spd. Trans. w/426 Eng.:	
	Bearing ..... 6307-NRJ			Seal ..... 16725	
1963-1962	4 Spd. Trans. w/410, 426, 427 & 428 Engs.:			(Speedi-Sleeve) ..... 99168	
	Seal ..... 13534			(Speedi-Sleeve/Seal Kit) ..... 480168	
	(Speedi-Sleeve) ..... 99138		1965-1961	3 Spd. Trans. & 0/D:	
	Bearing ..... 6307-NRJ			Seal ..... 15005	
1962-1961	3 Spd. Trans. w/223 & 292 Engs.:			(Speedi-Sleeve) ..... 99149	
	Seal ..... 11123			(Speedi-Sleeve/Seal Kit) ..... 480152	
	(Speedi-Sleeve) ..... 99112			Bearing ..... ■ 6207-NRJ	
	Bearing ..... ■ 6207-NRJ		1964	4 Spd. Trans. w/410, 426, 427 & 428 Engs.:	
1962-1961	3 Spd. Trans. w/352 & 390 Engs.:			Seal ..... 16725	
	Seal ..... 11123			(Speedi-Sleeve) ..... 99168	
	(Speedi-Sleeve) ..... 99112			(Speedi-Sleeve/Seal Kit) ..... 480168	
	Bearing ..... 6208-ZNRJ			Bearing ..... 6307-NRJ	
1961	4 Spd. Trans. w/390 Eng.:		1964-1962	4 Spd. Trans. w/390 Eng.:	
	Seal ..... 11123			Seal ..... 15005	
	(Speedi-Sleeve) ..... 99112			(Speedi-Sleeve) ..... 99149	
1961-1958	4 Spd. Trans. w/410, 426, 427 & 428 Engs.:			(Speedi-Sleeve/Seal Kit) ..... 480152	
	Seal ..... 13534			Bearing ..... 6307-NRJ	
	(Speedi-Sleeve) ..... 99138			(Continued)	
1960-1959	3 Spd. Trans.:				
	Seal ..... 11123				
	(Speedi-Sleeve) ..... 99112				
	Bearing ..... 6208-ZNRJ				



**Mercury (RWD) (Full Size), Grand Marquis, Marauder, Marquis (thru 1982),  
Montclair, Monterey (thru 1974), Parklane, S-55, Turnpike Cruiser -- (Cont.)**

MFG./YEAR	MODEL & LOCATION	PART NO.	MFG./YEAR	MODEL & LOCATION	PART NO.
-----------	------------------	----------	-----------	------------------	----------

**Transmission-Manual (Cont.)**

**Rear (Cont.)**

<b>1960-1959 O/D Trans.:</b>		
Seal .....	16725	
(Speedi-Sleeve) .....	99168	
(Speedi-Sleeve/Seal Kit) .....	480168	
<b>1960-1959 3 Spd. Trans.:</b>		
Seal .....	16725	
(Speedi-Sleeve) .....	99168	
(Speedi-Sleeve/Seal Kit) .....	480168	
Bearing .....	■ 6207-NRJ	
<b>1958-1955 O/D Trans.:</b>		
Seal .....	16725	
(Speedi-Sleeve) .....	99168	
(Speedi-Sleeve/Seal Kit) .....	480168	
Bearing .....	■ 6207-NRJ	
<b>1958-1955 3 Spd. Trans.:</b>		
Seal .....	16725	
(Speedi-Sleeve) .....	99168	
(Speedi-Sleeve/Seal Kit) .....	480168	
Bearing .....	6307-NRJ	
<b>1954-1951 O/D Trans.:</b>		
Seal .....	15005	
(Speedi-Sleeve) .....	99149	
(Speedi-Sleeve/Seal Kit) .....	480152	
Bearing .....	■ 6207-NRJ	
<b>1954-1951 3 Spd. Trans.:</b>		
Seal .....	15005	
(Speedi-Sleeve) .....	99149	
(Speedi-Sleeve/Seal Kit) .....	480152	
<b>1950-1946 3 Spd. &amp; O/D Trans.:</b>		
Seal .....	15005	
(Speedi-Sleeve) .....	99149	
(Speedi-Sleeve/Seal Kit) .....	480152	

**Reverse Idler**

<b>1971-1965 4 Spd. Trans.:</b>		
Bearing .....	[44]	C407-Q

**Shift Shaft**

<b>1965-1949 All:</b>		
Seal .....	6130	
(Speedi-Sleeve) .....	99062	

**Solenoid**

<b>1965-1949 All:</b>		
Seal .....	3050	

**Air Conditioning Clutch**

<b>1995-1990 FX-15 Comp.:</b>		
Bearing .....	5106-WCC	
<b>1991-1980 Integral Comp.:</b>		
Bearing .....	5106-WCC	
<b>1990 Swash Plate Comp.:</b>		
Bearing .....	5908-VAW	
<b>1983 Ford FS6 Comp.:</b>		
Bearing .....	AC1	
<b>1974-1963 All:</b>		
Bearing .....	5106-WCC	

**Alternator**

<b>1991-1970 All:</b>		
Bearing (Front) .....	6203-2RSJ	
Bearing (Rear) .....	MNJ471-S	

**Alternator (Cont.)**

<b>1969-1965 Exc. Leece-Neville 60 &amp; 65 Amp.:</b>		
Bearing (Front) .....	6203-2RSJ	
Bearing (Rear) .....	MNJ471-S	
<b>1969-1965 Leece Neville 60 &amp; 65 Amp.:</b>		
Bearing (Front) .....	6304-2RSJ	
Bearing (Rear) .....	6203-2RSJ	
<b>1964 w/o 60 Amp.:</b>		
Bearing (Front) .....	6203-2RSJ	
Bearing (Rear) .....	MNJ471-S	
<b>1964 60 Amp.:</b>		
Bearing (Front) .....	6203-2RSJ	
Bearing (Rear) .....	6304-2RSJ	
<b>1963 All:</b>		
Bearing (Front) .....	6203-2RSJ	
Bearing (Rear) .....	MNJ471-S	

**Engine**

**Crankshaft-Rear**

<b>1995-1992 280 (4.6L) Eng.:</b>		
Seal .....	36147	
(Speedi-Sleeve) .....	99362	
<b>1991-1983 302 (5.0L) Eng. From 12/82:</b>		
Seal .....	36147	
(Speedi-Sleeve) .....	99362	
<b>1989-1983 351 W (5.8L) Eng. From 7/11/83:</b>		
Seal (Viton) .....	37341	
Seal .....	37340	
(Speedi-Sleeve) .....	99372	
<b>1983-1979 302 (5.0L) Eng. Thru 11/82:</b>		
Seal (Rope) .....	196	
Seal (Rubber) .....	205	
<b>1983-1971 351 C, M &amp; W (5.8L) &amp; 400 (6.6L) Eng. Thru 7/10/83:</b>		
Seal (Rope) .....	196	
Seal (Rubber) .....	211	
<b>1982-1981 255 (4.2L) Eng.:</b>		
Seal (Rope) .....	196	
Seal (Rubber) .....	205	
<b>1978-1969 429 (7.0L) &amp; 460 (7.5L) Eng.:</b>		
Seal (Rope) .....	196	
Seal (Rubber) .....	201	
<b>1969-1967 289 &amp; 302 Eng.:</b>		
Seal (Rope) .....	196	
Seal (Rubber) .....	205	
<b>Timing Belt Tensioner</b>		
<b>1986-1983 Marquis w/2.3L Eng.:</b>		
Bearing & Housing Assy. ....	VKM54001	
<b>Timing Cover</b>		
<b>1995-1992 280 (4.6L) Eng.:</b>		
Seal .....	18757	
(Speedi-Sleeve) .....	99187	
<b>1991-1971 302 (5.0L), 351 C &amp; M (5.8L) &amp; 400 (6.6L) Eng.:</b>		
Seal (Viton) .....	18544	
Seal .....	18548	
(Speedi-Sleeve) .....	99187	
(Speedi-Sleeve/Seal Kit) .....	480185	

(Continued)



# Passenger cars, light & medium trucks

(Cont.) -- Mercury (RWD) (Full Size), Grand Marquis, Marauder, Marquis (thru 1982), Montclair, Monterey (thru 1974), Parklane, S-55, Turnpike Cruiser

MFG./YEAR	MODEL & LOCATION	PART NO.	MFG./YEAR	MODEL & LOCATION	PART NO.
<b>Engine (Cont.)</b>			<b>Generator (Cont.)</b>		
<b>Timing Cover (Cont.)</b>			1953-1949 w/o H.D.:		
1989-1979 351 W (5.8L) Eng.:			Bearing (Front) ..... 6203-2RSJ		
	Seal (Viton) .....	18544	<b>Steering-Power</b>		
	Seal .....	18548	<b>Pitman Shaft</b>		
	(Speedi-Sleeve) .....	99187	1978-1973 All:		
	(Speedi-Sleeve/Seal Kit) .....	480185	Bearing .....		
1982-1981 255 (4.2L) Eng.:			1972-1971 All:		
	Seal .....	18544	Seal .....		
	(Speedi-Sleeve) .....	99187	Bearing .....		
1978-1969 429 (7.0L) & 460 (7.5L) Eng.:			1970-1952 All:		
	Seal (Viton) .....	18546	Seal .....		
	Seal .....	18562	1951-1949 All:		
	(Speedi-Sleeve) .....	99187	Seal .....		
	(Speedi-Sleeve/Seal Kit) .....	480186	<b>Pump Shaft</b>		
1972-1971 351 W (5.8L) Eng.:			1991-1973 Ford Pump:		
	Seal (Viton) .....	18546	Seal .....		
	Seal .....	18562	1978-1973 Saginaw Pump:		
	(Speedi-Sleeve) .....	99187	Seal .....		
	(Speedi-Sleeve/Seal Kit) .....	480186	1972-1966 All:		
1970-1961 289, 302, 352, 390, 406, 410, 427 & 428 Eng.:			Seal .....		
	Seal (Viton) .....	18546	1965 Eaton Pump:		
	Seal .....	18562	Seal .....		
	(Speedi-Sleeve) .....	99187	1965 Ford Pump:		
	(Speedi-Sleeve/Seal Kit) .....	480186	Seal .....		
1962 200 & 223 Eng.:			1964-1962 All:		
	Seal (Viton) .....	18546	Seal .....		
	Seal .....	18562	1961-1959 All:		
	(Speedi-Sleeve) .....	99187	Seal .....		
	(Speedi-Sleeve/Seal Kit) .....	480186	1958-1953 All:		
1962-1961 292 Eng.:			Seal .....		
	Seal (Viton) .....	18546	Bearing .....		
	Seal .....	18562	1952 All:		
	(Speedi-Sleeve) .....	99187	Seal .....		
	(Speedi-Sleeve/Seal Kit) .....	480186	<b>Worm Shaft</b>		
1960-1954 All:			1995-1975 All:		
	Seal (Viton) .....	18546	Seal .....		
	Seal .....	18562	Bearing .....		
	(Speedi-Sleeve) .....	99187	<b>Steering-Standard</b>		
	(Speedi-Sleeve/Seal Kit) .....	480186	<b>Pitman Shaft</b>		
<b>Generator</b>			1972-1965 All:		
1964-1954 w/o H.D.:			Bearing .....		
	Bearing (Front) .....	6203-2RSJ	1816		
	Bearing (Rear) .....	6200-2RSJ			
1963-1961 H.D.:					
	Bearing (Rear) .....	6204-2RSJ			
1960-1959 H.D.:					
	Bearing .....	[2] 6204-2RSJ			

**Mercury (RWD) Bobcat**

MFG./YEAR	MODEL & LOCATION	PART NO.	MFG./YEAR	MODEL & LOCATION	PART NO.
<b>Wheel Front</b>			<b>Clutch</b>		
1980-1975	w/o 6.75" Ring Gear:		<b>Pilot</b>		
	Seal .....	19221	1980-1975	140 (2.3L) Eng.:	
	Bearing (Inner) .....	BR13		Bearing .....	FC65354
	(Set Components) .....	L68149/L68110	<b>Release</b>		
	Bearing (Outer) .....	BR12	1980-1975	All:	
	(Set Components) .....	LM12749/LM12710		Bearing Only .....	N1054
1979-1975	6.75" Ring Gear:			(Self-Aligning) .....	N1705-SA
	Seal .....	19221	<b>Transmission-Automatic</b>		
	Bearing (Inner) .....	BR5	<b>Front Pump</b>		
	(Set Components) .....	LM48548/LM48510	1980-1975	C3 Trans. w/13 Pan Bolts:	
	Bearing (Outer) .....	BR12		Seal .....	16225
	(Set Components) .....	LM12749/LM12710	1980-1975	C4 Trans. w/11 Pan Bolts:	
<b>Wheel Rear</b>				Seal .....	19807
1980-1979	All:			(Speedi-Sleeve) .....	99199
	Seal .....	13985		(Speedi-Sleeve/Seal Kit) .....	480198
	Sealed Bearing w/Lock Ring .....	RW207-CCRA	<b>Rear</b>		
1978	6.75" Ring Gear:		1980-1975	C3 Trans. w/13 Pan Bolts:	
	Seal .....	12396		Seal .....	13685
	Sealed Bearing w/Lock Ring .....	RW207-CCRA		(Speedi-Sleeve) .....	99138
1978	8.00" Ring Gear:		1980-1975	C4 Trans. w/11 Pan Bolts:	
	Seal .....	13985		Seal .....	14978
	Sealed Bearing w/Lock Ring .....	RW207-CCRA		Seal & Bushing Kit .....	14982
1977-1976	All:			(Speedi-Sleeve) .....	99149
	Seal .....	13985		(Speedi-Sleeve/Seal Kit) .....	480148
	Sealed Bearing w/Lock Ring .....	RW207-CCRA	<b>Shift Shaft</b>		
1975	All:		1980-1975	All:	
	Seal .....	12396		Seal .....	7556
	Sealed Bearing w/Lock Ring .....	RW207-CCRA		(Speedi-Sleeve) .....	99076
<b>Pinion</b>			<b>Transmission-Manual</b>		
1980-1979	6.75" Ring Gear:		<b>Countershaft</b>		
	Seal .....	18100	1980-1975	4 Spd. German Trans.:	
	(Speedi-Sleeve) .....	99181		Bearing (Front) .....	[19] C407-Q
	Bearing (Front) .....	M86649/M86610		Bearing (Rear) .....	[19] B1316-Q
	Bearing (Rear) .....	BR90	<b>Front</b>		
	(Set Components) .....	HM88648/HM88610	1980-1975	4 Spd. German Trans.:	
1980-1975	8.00" Ring Gear:			Seal .....	10930
	Seal .....	18100		(Speedi-Sleeve) .....	99111
	(Speedi-Sleeve) .....	99181		Bearing .....	■ 6207-ZNJ
	Bearing .....	[2] M86649/M86610	<b>Rear</b>		
	Bearing (Pilot) .....	R1558-TAV	1980-1975	4 Spd. German Trans.:	
1978-1975	6.75" Ring Gear:			Seal .....	13527
	Seal .....	18100		(Speedi-Sleeve) .....	99138
	(Speedi-Sleeve) .....	99181		Bearing .....	6108-A
	Bearing (Front) .....	M86649/M86610	<b>Air Conditioning Clutch</b>		
	Bearing (Rear) .....	BR52	1980-1975	All:	
	(Set Components) .....	M88048/M88010		Bearing .....	5106-WCC
<b>Differential</b>			<b>Alternator</b>		
1980-1979	6.75" Ring Gear:		1980-1975	All:	
	Bearing .....	[2] BR72		Bearing (Front) .....	6203-2RSJ
	(Set Components) .....	LM501349/LM501314		Bearing (Rear) .....	MNJ471-S
1980-1975	8.00" Ring Gear:		<b>Engine</b>		
	Bearing .....	[2] BR35	<b>Auxiliary Shaft</b>		
	(Set Components) .....	LM501349/LM501310	1980-1975	140 (2.3L) Eng.:	
1978-1975	6.75" Ring Gear:			Seal (Viton) .....	17107
	Bearing .....	[2] BR5		Seal .....	17106
	(Set Components) .....	LM48548/LM48510			(Continued)
<b>Kit</b>					
1980-1975	8.00" Ring Gear:				
	Standard Seal and Bearing Kit Rear .....	SDK310			

MFG./YEAR	MODEL & LOCATION	PART NO.	MFG./YEAR	MODEL & LOCATION	PART NO.
<b>Engine (Cont.)</b>			<b>Engine (Cont.)</b>		
<b>Camshaft</b>			<b>Timing Cover (Cont.)</b>		
1980-1975	140 (2.3L) Eng.:		1979-1975	122 (2.0L) & 171 (2.8L) Eng.:	
	Seal (Viton) .....	17107		Seal .....	16505
	Seal .....	17106		(Speedi-Sleeve) .....	99169
<b>Crankshaft-Rear</b>			<b>Steering-Power</b>		
1980-1975	140 (2.3L) Eng.:		<b>Pump Shaft</b>		
	Seal Kit .....	205	1980-1975 All:		
1979-1975	171 (2.8L) Eng.:		Seal .....		
	Seal .....	23641	6765		
	(Speedi-Sleeve) .....	99225	<b>Worm Shaft</b>		
<b>Timing Belt Tensioner</b>			1980-1975 All:		
1980-1975	140 (2.3L) Eng.:		Seal .....		
	Bearing & Housing Assy. ....	VKM54001	8620		
<b>Timing Belt and Tensioner Kit</b>					
1980-1975	140 (2.3L) Eng.:				
	Belt & Tensioner Kit .....	VKMA44001			
<b>Timing Cover</b>					
1980-1975	140 (2.3L) Eng.:				
	Seal (Viton) .....	17107			
	Seal .....	17106			

**Mercury (RWD) Capri (thru 1986), Capri II**

<b>Wheel Front</b>		
1986-1984	302 (5.0L) Eng. w/SVO Option:	
	Seal .....	19223
	Bearing (Inner) .....	BR5
	(Set Components) .....	LM48548/LM48510
	Bearing (Outer) .....	BR12
	(Set Components) .....	LM12749/LM12710
1986-1984	w/o 302 (5.0L) Eng. & SVO Option:	
	Seal .....	19221
	Bearing (Inner) .....	BR17
	(Set Components) .....	L68149/L68111
	Bearing (Outer) .....	BR12
	(Set Components) .....	LM12749/LM12710
1983-1979	All:	
	Seal .....	19221
	Bearing (Inner) .....	BR17
	(Set Components) .....	L68149/L68111
	Bearing (Outer) .....	BR12
	(Set Components) .....	LM12749/LM12710
1977-1971	All:	
	Seal .....	16085
	Bearing (Inner) .....	BR21
	(Set Components) .....	BR1988/BR1922
	Bearing (Outer) .....	BR2
	(Set Components) .....	LM11949/LM11910
<b>Wheel Rear</b>		
1986-1979	7.50" & 8.80" Ring Gears:	
	Seal .....	13992
	Bearing .....	R1563-TAV
	(Axle Repair Brg. Assy.) .....	• R1563
1982	6.75" Ring Gear:	
	Seal .....	13700
	Sealed Bearing w/Lock Ring .....	RW207-CCRA
1981-1979	6.75" Ring Gear:	
	Seal .....	13985
	Sealed Bearing w/Lock Ring .....	RW207-CCRA

<b>Pinion</b>		
1986-1979	7.50" & 8.80" Ring Gears:	
	Seal .....	18136
	Bearing (Front) .....	BR52
	(Set Components) .....	M88048/M88010
	Bearing (Rear) .....	M802048/M802011
1982-1979	6.75" Ring Gear:	
	Seal .....	18100
	(Speedi-Sleeve) .....	99181
	Bearing (Front) .....	M86649/M86610
	Bearing (Rear) .....	BR90
	(Set Components) .....	HM88648/HM88610
1977-1971	All:	
	Bearing (Front) .....	HM88542/HM88510
	Bearing (Rear) .....	HM89449/HM89410
<b>Differential</b>		
1986	8.80" Ring Gear:	
	Bearing .....	[2] BR36
	(Set Components) .....	LM603049/LM603012
1986-1979	6.75" & 7.50" Ring Gears:	
	Bearing .....	[2] BR72
	(Set Components) .....	LM501349/LM501314
1977-1971	All:	
	Bearing .....	[2] BR16150/BR16283
<b>Kit</b>		
1986	8.80" Ring Gear:	
	Standard Seal and Bearing Kit Rear .....	SDK311
	Master Seal and Bearing Kit Rear .....	SDK311-MK
1986-1979	7.50" Ring Gear:	
	Standard Seal and Bearing Kit Rear .....	SDK315
<b>Clutch</b>		
<b>Pilot</b>		
1986-1980	6 & 8 Cyl. Eng.:	
	Bearing .....	B65174

(Continued)

Mercury (RWD) Capri (thru 1986), Capri II -- (Cont.)

MFG./YEAR	MODEL & LOCATION	PART NO.	MFG./YEAR	MODEL & LOCATION	PART NO.
<b>Clutch (Cont.)</b>			<b>Transmission-Manual (Cont.)</b>		
<b>Pilot (Cont.)</b>			<b>Countershaft (Cont.)</b>		
1986-1979	4 Cyl. Eng.:		1983-1979	4 Spd. RUG Trans.:	
	Bearing .....	FC65354		Bearing .....	[42] QAR33724
1979	200 (3.3L) & 302 (5.0L) Eng.:		1982-1979	4 Spd. RAD Trans.:	
	Bearing .....	B65174		Bearing .....	[50] C1086-Q
1979	171 (2.8L) Eng.:		1977-1971	All:	
	Bearing .....	N3057		Bearing (Front) .....	[19] C407-Q
1977-1974	6 Cyl. Eng.:			Bearing (Rear) .....	[19] B1316-Q
	Bearing .....	N3057	<b>First Speed Gear</b>		
1977-1973	4 Cyl. Eng.:		1986-1983	5 Spd. Warner REP Trans.:	
	Bearing .....	N3057		Bearing .....	B1316-Q
<b>Release</b>			<b>Front</b>		
1986-1979	4 Spd. Ford & Warner Trans.:		1986-1983	5 Spd. Warner REP Trans.:	
	Bearing Assembly .....	N1714		Seal .....	12363
	(Self-Aligning) .....	N1714-SA		(Speedi-Sleeve) .....	99125
1986-1979	4 Spd. German Trans.:			Bearing .....	BR5
	Bearing Only .....	N1054		(Set Components) .....	LM48548/LM48510
	(Self-Aligning) .....	N1705-SA	1986-1979	4 Spd. German Trans.:	
1977-1971	Exc. '72-71 98 (1.6L) Eng.:			Seal .....	10930
	Bearing Only .....	N3022		(Speedi-Sleeve) .....	99111
<b>Transmission-Automatic</b>				Bearing .....	■ 6207-ZNJ
<b>Front Pump</b>			1983-1980	5 Spd. Warner Trans.:	
1986-1973	C3 Trans.:			Seal .....	10930
	Seal .....	16225		(Speedi-Sleeve) .....	99111
1986-1971	AOT, C4 & C5 Trans.:			Bearing .....	BR5
	Seal .....	19807		(Set Components) .....	LM48548/LM48510
	(Speedi-Sleeve) .....	99199	1983-1979	4 Spd. RUG Trans.:	
	(Speedi-Sleeve/Seal Kit) .....	480198		Seal .....	11123
<b>Rear</b>				(Speedi-Sleeve) .....	99112
1986-1976	C3 Trans.:			Bearing .....	6209-NRJ
	Seal .....	13685	1982-1979	4 Spd. RAD Trans.:	
	(Speedi-Sleeve) .....	99138		Seal .....	11123
1986-1971	AOT, C4 & C5 Trans.:			(Speedi-Sleeve) .....	99112
	Seal .....	14978		Bearing .....	■ 6207-NRJ
	Seal & Bushing Kit .....	14982	1977-1971	4 Spd. Trans.:	
	(Speedi-Sleeve) .....	99149		Seal .....	10930
	(Speedi-Sleeve/Seal Kit) .....	480148		(Speedi-Sleeve) .....	99111
<b>Shift Shaft</b>			<b>Mainshaft Pilot</b>		
1986-1971	w/o Borg Warner Trans.:		1986-1980	5 Spd. Warner REP Trans.:	
	Seal .....	7556		Bearing .....	[15] QBR23549
	(Speedi-Sleeve) .....	99076	1982-1979	4 Spd. RAD & RUG Trans.:	
<b>Transmission-Manual</b>				Bearing .....	[15] QBR23549
<b>Countershaft</b>			<b>Rear</b>		
1986-1985	5 Spd. Warner REP Trans.:		1986-1983	5 Spd. Warner REP Trans.:	
	Bearing (Front) .....	LM67048/LM67010BCE		Seal .....	14978
	Bearing (Rear) .....	BR6		Seal & Bushing Kit .....	14982
	(Set Components) .....	LM67048/LM67010		(Speedi-Sleeve) .....	99149
1985-1979	4 Spd. German Trans.:			(Speedi-Sleeve/Seal Kit) .....	480148
	Bearing (Front) .....	[21] C407-Q		Bearing .....	BR25877/BR25821
	Bearing (Rear) .....	[21] B1316-Q	1986-1979	4 Spd. German Trans.:	
1984-1983	5 Spd. Warner REP Trans.:			Seal .....	13527
	Bearing (Front) .....	LM67048/LM67010BCE		(Speedi-Sleeve) .....	99138
	Bearing (Pilot) .....	DK55836		Bearing .....	6108-A
	Bearing (Rear) .....	BR6	1983-1980	5 Spd. Warner RAP Trans.:	
	(Set Components) .....	LM67048/LM67010		Seal .....	13527
1983-1980	5 Spd. Warner RAP Trans.:			(Speedi-Sleeve) .....	99138
	Bearing (Front) .....	BR2		Bearing .....	BR5
	(Set Components) .....	LM11949/LM11910		(Set Components) .....	LM48548/LM48510
	Bearing (Rear) .....	BR6			(Continued)
	(Set Components) .....	LM67048/LM67010			

# Passenger cars, light & medium trucks

## (Cont.) -- Mercury (RWD) Capri (thru 1986), Capri II

MFG./YEAR	MODEL & LOCATION	PART NO.	MFG./YEAR	MODEL & LOCATION	PART NO.
<b>Transmission-Manual (Cont.)</b>			<b>Engine</b>		
<b>Rear (Cont.)</b>			<b>Auxiliary Shaft</b>		
<b>1983-1979 4 Spd. RUG Trans.:</b>			<b>1986-1976 140 (2.3L) Eng.:</b>		
	Seal .....	14978		Seal (Viton) .....	17107
	Seal & Bushing Kit .....	14982		Seal .....	17106
	(Speedi-Sleeve) .....	99149	<b>Camshaft</b>		
	(Speedi-Sleeve/Seal Kit) .....	480148	<b>1986-1976 140 (2.3L) Eng.:</b>		
	Bearing .....	6307-NRJ		Seal (Viton) .....	17107
<b>1982-1980 4 Spd. RAD Trans.:</b>				Seal .....	17106
	Seal .....	14978	<b>1974-1971 122 (2.0L) Eng.:</b>		
	Seal & Bushing Kit .....	14982		Seal .....	16505
	(Speedi-Sleeve) .....	99149		(Speedi-Sleeve) .....	99169
	(Speedi-Sleeve/Seal Kit) .....	480148	<b>Crankshaft-Rear</b>		
	Bearing .....	■ 6207-NRJ	<b>1986-1983 230 (3.8L) Eng. From 1/83:</b>		
<b>1979 4 Spd. RAD Trans.:</b>				Seal .....	36147
	Seal .....	15041		(Speedi-Sleeve) .....	99362
	(Speedi-Sleeve) .....	99149	<b>1986-1983 302 (5.0L) Eng. From 12/82:</b>		
	(Speedi-Sleeve/Seal Kit) .....	480150		Seal .....	36147
	Bearing .....	■ 6207-NRJ		(Speedi-Sleeve) .....	99362
<b>1977-1976 4 Spd. Trans.:</b>			<b>1986-1982 140 (2.3L) Eng. From 9/28/81:</b>		
	Bearing .....	6108-A		Seal .....	36147
<b>1974-1973 4 Spd. Trans. w/4 Cyl. Eng.:</b>				(Speedi-Sleeve) .....	99362
	Seal .....	12900	<b>1983 230 (3.8L) Eng. Thru 12/82:</b>		
<b>1974-1973 4 Spd. Trans. w/6 Cyl. Eng.:</b>				Seal (Rope) .....	196
	Seal .....	13527		Seal (Rubber) .....	205
	(Speedi-Sleeve) .....	99138	<b>1983-1979 255 (4.2L) &amp; 302 (5.0L) Engs. Thru 11/82:</b>		
<b>1972 4 Spd. Trans. w/159 (2.6L) Eng.:</b>				Seal (Rope) .....	196
	Seal .....	12900		Seal (Rubber) .....	205
<b>1972-1971 4 Spd. Trans. w/98 (1.6L) Eng.:</b>			<b>1982-1979 200 (3.3L) Eng.:</b>		
	Seal .....	11733		Seal (Rope) .....	196
	(Speedi-Sleeve) .....	99118		Seal (Rubber) .....	204
<b>1972-1971 4 Spd. Trans. w/122 (2.0L) Eng.:</b>			<b>1982-1976 140 (2.3L) Eng. Thru 9/27/81:</b>		
	Seal .....	13527		Seal (Rubber) .....	205
	(Reverse-Sleeve) .....	99138	<b>1979-1973 159 (2.6L) &amp; 171 (2.8L) Eng.:</b>		
<b>Reverse Idler</b>				Seal .....	23641
<b>1983-1979 4 Spd. RUG Trans.:</b>				(Speedi-Sleeve) .....	99225
	Bearing .....	[44] C407-Q	<b>1974-1973 122 (2.0L) Eng.:</b>		
<b>Shift Shaft</b>				Seal .....	29868
<b>1983-1979 4 Spd. RAD &amp; RUG Trans.:</b>				(Speedi-Sleeve) .....	99300
	Seal .....	5510	<b>Timing Belt Tensioner</b>		
	(Speedi-Sleeve) .....	99056	<b>1986-1976 140 (2.3L) Eng.:</b>		
<b>1982-1980 5 Spd. Warner RAP Trans. Thru 6/14/82:</b>				Bearing & Housing Assy. ....	VKM54001
	Seal .....	6152	<b>Timing Belt and Tensioner Kit</b>		
	(Speedi-Sleeve) .....	99062	<b>1986-1976 140 (2.3L) Eng.:</b>		
<b>Air Conditioning Clutch</b>				Belt & Tensioner Kit .....	VKMA44001
<b>1986-1982 Integral A/C:</b>			<b>Timing Cover</b>		
	Bearing .....	AC2	<b>1986-1983 230 (3.8L) Eng.:</b>		
<b>1984 w/o Integral A/C:</b>				Seal (Viton) .....	18544
	Bearing .....	AC1		Seal .....	18548
<b>Alternator</b>				(Speedi-Sleeve) .....	99187
<b>1986-1979 All:</b>				(Speedi-Sleeve/Seal Kit) .....	480185
	Bearing (Front) .....	6203-2RSJ	<b>1986-1980 255 (4.2L) &amp; 302 (5.0L) Eng.:</b>		
	Bearing (Rear) .....	MNJ471-S		Seal (Viton) .....	18544
<b>1977-1973 Bosch:</b>				Seal .....	18548
	Bearing (Front) .....	6203-ZJ		(Speedi-Sleeve) .....	99187
	Bearing (Rear) .....	6201-ZJ		(Speedi-Sleeve/Seal Kit) .....	480185
			<b>1986-1976 140 (2.3L) Eng.:</b>		
				Seal (Viton) .....	17107
				Seal .....	17106

(Continued)

## Passenger cars, light & medium trucks

### Mercury (RWD) Capri (thru 1986), Capri II -- (Cont.)

MFG./YEAR	MODEL & LOCATION	PART NO.	MFG./YEAR	MODEL & LOCATION	PART NO.
<b>Engine (Cont.)</b>			<b>Steering-Power</b>		
<b>Timing Cover (Cont.)</b>			<b>Pump Shaft</b>		
<b>1982-1979 200 (3.3L) Eng.:</b>			<b>1986-1979 All:</b>		
Seal .....		17271	Seal .....		6765
(Speedi-Sleeve) .....		99174	<b>Worm Shaft</b>		
<b>1979-1974 171 (2.8L) Eng.:</b>			<b>1982-1979 TRW:</b>		
Seal .....		16505	Seal .....		8620
(Speedi-Sleeve) .....		99169	<b>1977-1976 All:</b>		
<b>1974-1971 122 (2.0L) Eng.:</b>			Seal .....		9820
Seal .....		16505			
(Speedi-Sleeve) .....		99169			
<b>1973 159 (2.6L) Eng.:</b>					
Seal .....		13907			
(Speedi-Sleeve) .....		99139			

### Mercury (RWD) Caliente, Comet, Cyclone, Four-O-Four, GT, S-22, Spoiler, Zephyr

<p><b>Wheel Front</b></p> <p><b>1983-1978 All:</b></p> <p>Seal ..... 19221</p> <p>Bearing (Inner) ..... BR17</p> <p>(Set Components) ..... L68149/L68111</p> <p>Bearing (Outer) ..... BR12</p> <p>(Set Components) ..... LM12749/LM12710</p> <p><b>1977-1971 All:</b></p> <p>Seal ..... 19221</p> <p>Bearing (Inner) ..... BR13</p> <p>(Set Components) ..... L68149/L68110</p> <p>Bearing (Outer) ..... BR12</p> <p>(Set Components) ..... LM12749/LM12710</p> <p><b>1970-1966 Disc Brks.:</b></p> <p>Seal ..... 19221</p> <p>Bearing (Inner) ..... BR6</p> <p>(Set Components) ..... LM67048/LM67010</p> <p>Bearing (Outer) ..... BR2</p> <p>(Set Components) ..... LM11949/LM11910</p> <p><b>1970-1966 Drum Brks.:</b></p> <p>Seal ..... 19221</p> <p>Bearing (Inner) ..... BR6</p> <p>(Set Components) ..... LM67048/LM67010</p> <p>Bearing (Outer) ..... BR2</p> <p>(Set Components) ..... LM11949/LM11910</p> <p><b>1965-1963 6 Cyl. Eng.:</b></p> <p>Seal ..... 15509</p> <p>Bearing (Inner) ..... BR4</p> <p>(Set Components) ..... L44649/L44610</p> <p>Bearing (Outer) ..... BR1</p> <p>(Set Components) ..... LM11749/LM11710</p> <p><b>1965-1963 8 Cyl. Eng.:</b></p> <p>Seal ..... 19221</p> <p>Bearing (Inner) ..... BR6</p> <p>(Set Components) ..... LM67048/LM67010</p> <p>Bearing (Outer) ..... BR2</p> <p>(Set Components) ..... LM11949/LM11910</p> <p><b>1962-1960 All:</b></p> <p>Seal ..... 15509</p> <p>Bearing (Inner) ..... BR4</p> <p>(Set Components) ..... L44649/L44610</p> <p>Bearing (Outer) ..... BR1</p> <p>(Set Components) ..... LM11749/LM11710</p>	<p><b>Wheel Rear</b></p> <p><b>1983-1978 7.50" Ring Gear:</b></p> <p>Seal ..... 13992</p> <p>Bearing ..... R1563-TAV</p> <p>(Axle Repair Brg. Assy.) ..... • R1563</p> <p><b>1982 6.75" Ring Gear:</b></p> <p>Seal ..... 13700</p> <p>Sealed Bearing w/Lock Ring ..... RW207-CCRA</p> <p><b>1981-1979 6.75" Ring Gear:</b></p> <p>Seal ..... 13985</p> <p>Sealed Bearing w/Lock Ring ..... RW207-CCRA</p> <p><b>1977-1973 All:</b></p> <p>Seal ..... 13700</p> <p>Sealed Bearing w/Lock Ring ..... RW207-CCRA</p> <p><b>1972-1971 4 Lug Whls.:</b></p> <p>Seal ..... 13419</p> <p>Sealed Bearing w/Lock Ring ..... RWF34-R</p> <p><b>1972-1971 5 Lug Whls.:</b></p> <p>Seal ..... 13700</p> <p>Sealed Bearing w/Lock Ring ..... RW207-CCRA</p> <p><b>1970-1969 28 Spline Axle Sh.:</b></p> <p>Seal ..... 13700</p> <p>Sealed Bearing w/Lock Ring ..... RW207-CCRA</p> <p><b>1970-1969 31 Spline Axle Sh.:</b></p> <p>Seal ..... 14968</p> <p>Sealed Bearing w/Lock Ring ..... RW207-CCRA</p> <p><b>1968 427 (7.0L) Eng.:</b></p> <p>Seal ..... 14968</p> <p>Sealed Bearing w/Lock Ring ..... RW207-CCRA</p> <p><b>1968-1967 w/o 427 Eng.:</b></p> <p>Seal ..... 13700</p> <p>Sealed Bearing w/Lock Ring ..... RW207-CCRA</p> <p><b>1966 All:</b></p> <p>Seal ..... 13700</p> <p>Sealed Bearing w/Lock Ring ..... RW207-CCRA</p> <p><b>1965-1964 8 Cyl. Eng.:</b></p> <p>Seal ..... 13598</p> <p>Sealed Bearing w/Lock Ring ..... RW207-CCRA</p> <p><b>1965-1963 6 Cyl. Eng.:</b></p> <p>Seal ..... 13350</p> <p>Sealed Bearing w/Lock Ring ..... RWF34-R</p> <p><b>1963 8 Cyl. Eng.:</b></p> <p>Seal ..... 13598</p> <p>Bearing w/Lock Ring ..... 88506-AR</p> <p style="text-align: right;">(Continued)</p>
--	--

# Passenger cars, light & medium trucks

## (Cont.) -- Mercury (RWD) Caliente, Comet, Cyclone, Four-O-Four, GT, S-22, Spoiler, Zephyr

MFG./YEAR	MODEL & LOCATION	PART NO.	MFG./YEAR	MODEL & LOCATION	PART NO.
<b>Wheel Rear (Cont.)</b>			<b>Pinion (Cont.)</b>		
1962-1961	Sta. Wgn. From 5/15/61:		1965	6 Cyl. Eng. w/Man. Trans.:	
	Seal .....	13350		Seal .....	16545
	Sealed Bearing w/Lock Ring .....	RWF34-R		(Speedi-Sleeve) .....	99165
1962-1960	Exc. Sta. Wgn.:			Bearing (Front) .....	M86649/M86610
	Seal .....	11553		Bearing (Rear) .....	HM89446/HM89410
	Bearing w/Lock Ring .....	88506-AR	1965	8 Cyl. Hi-Perf. Eng.:	
1961-1960	Sta. Wgn. Thru 5/14/61:			Seal .....	18100
	Seal .....	13415		(Speedi-Sleeve) .....	99181
	Sealed Bearing w/Lock Ring .....	RWF34-R		Bearing .....	[2] M86649/M86610
				Bearing (Pilot) .....	R1535-TAV
<b>Pinion</b>			1965-1963	8 Cyl. Exc. Hi-Perf. Eng.:	
1983-1978	7.50" Ring Gear:			Seal .....	18100
	Seal .....	18136		(Speedi-Sleeve) .....	99181
	(Speedi-Sleeve) .....	99181		Bearing .....	[2] M86649/M86610
	Bearing (Front) .....	BR52		Bearing (Pilot) .....	R1558-TAV
	(Set Components) .....	M88048/M88010	1964-1961	6 Cyl. Eng.:	
	Bearing (Rear) .....	M802048/M802011		Seal .....	16545
1982-1979	6.75" Ring Gear:			(Speedi-Sleeve) .....	99165
	Seal .....	18100		Bearing (Front) .....	M86649/M86610
	(Speedi-Sleeve) .....	99181		Bearing (Rear) .....	HM89446/HM89410
	Bearing (Front) .....	M86649/M86610	1960	All:	
	Bearing (Rear) .....	BR90		Seal .....	16545
	(Set Components) .....	HM88648/HM88610		(Speedi-Sleeve) .....	99165
1977-1973	8.00" Ring Gear:			Bearing (Front) .....	M86649/M86610
	Seal .....	18100		Bearing (Rear) .....	HM89446/HM89410
	(Speedi-Sleeve) .....	99181	<b>Differential</b>		
	Bearing .....	[2] M86649/M86610	1983-1978	6.75" & 7.50" Ring Gears:	
	Bearing (Pilot) .....	R1558-TAV		Bearing .....	[2] BR72
1972-1966	7.50" & 8.50" Ring Gears:			(Set Components) .....	LM501349/LM501314
	Seal .....	18100	1977-1973	All:	
	(Speedi-Sleeve) .....	99181		Bearing .....	[2] BR35
	Bearing .....	[2] M86649/M86610		(Set Components) .....	LM501349/LM501310
	Bearing (Pilot) .....	R1558-TAV	1972-1970	WEB, WEC, WED, WEE & WFC Axles w/9.0"	
1972-1966	9.00" Ring Gear w/28 Spline Axle Sh.:			Ring Gear From 5/13/70:	
	Seal .....	18833		Bearing .....	[2] BR50
	(Speedi-Sleeve) .....	99181		(Set Components) .....	LM102949/LM102910
	Bearing .....	[2] BR52	1972-1966	WCZ, WDJ, WDW, WDY, WZ & WEA Axles	
	(Set Components) .....	M88048/M88010		w/7.75" Ring Gear :	
	Bearing (Pilot) .....	R1535-TAV		Bearing .....	[2] BR35
1972-1966	9.00" Ring Gear w/31 Spline Sh.:			(Set Components) .....	LM501349/LM501310
	Seal .....	18833	1970-1965	WEB, WEC & WED Axles w/9.0" Ring Gear Thru	
	(Speedi-Sleeve) .....	99181		5/13/70:	
	Bearing (Front) .....	BR52		Bearing .....	[2] BR37
	(Set Components) .....	M88048/M88010		(Set Components) .....	LM603049/LM603011
	Bearing (Pilot) .....	R1535-TAV	1968-1967	WEZ Axle w/7.5" Ring Gear :	
	Bearing (Rear) .....	HM89443/HM89410		Bearing .....	[2] LM29749/LM29710
1968-1966	7.50" Ring Gear:		1965-1963	8 Cyl. Eng.:	
	Seal .....	18100		Bearing .....	[2] BR35
	(Speedi-Sleeve) .....	99181		(Set Components) .....	LM501349/LM501310
	Bearing (Front) .....	M86649/M86610	1965-1961	6 Cyl. Eng.:	
	Bearing (Rear) .....	HM89446/HM89410		Bearing .....	[2] LM29749/LM29710
1965	6 Cyl. Eng. w/Auto. Trans.:		1960	All:	
	Seal .....	18100		Bearing .....	[2] BR5
	(Speedi-Sleeve) .....	99181		(Set Components) .....	LM48548/LM48510
	Bearing (Front) .....	M86649/M86610	<b>Kit</b>		
	Bearing (Rear) .....	HM89446/HM89410	1983-1978	7.50 " Ring Gear:	
				Standard Seal and Bearing Kit Rear .....	SDK315
			1972-1971	8.00 " Ring Gear:	
				Standard Seal and Bearing Kit Rear .....	SDK310
				(Continued)	

**Mercury (RWD) Caliente, Comet, Cyclone, Four-O-Four, GT, S-22, Spoiler, Zephyr -- (Cont.)**

MFG./YEAR	MODEL & LOCATION	PART NO.	MFG./YEAR	MODEL & LOCATION	PART NO.
<b>Differential (Cont.)</b>			<b>Transmission-Automatic (Cont.)</b>		
<b>Kit (Cont.)</b>			<b>Rear</b>		
1969-1964	8.00 " Ring Gear: Standard Seal and Bearing Kit Rear	SDK310	1983-1974	C3 Trans.:	
<b>Clutch</b>			Seal		13685
<b>Pilot</b>			(Speedi-Sleeve)		99138
1983-1978	4 Cyl. Eng.:		1983-1964	C4 & C5 Trans.:	
Bearing		FC65354	Seal		14978
1982-1974	6 & 8 Cyl. Eng. From 5/74:		Seal & Bushing Kit		14982
Bearing		B65174	(Speedi-Sleeve)		99149
1974-1973	200 (3.3L) Eng. Thru 4/74:		(Speedi-Sleeve/Seal Kit)		480148
Bearing		B65174	1972-1966	w/o C4 Trans.:	
1974-1973	250 (4.1L) & 302 (5.0L) Eng. Thru 4/74:		Seal		16725
Bearing		N3058	Seal & Bushing Kit		16727
<b>Release</b>			(Speedi-Sleeve)		99168
1983-1978	4 Spd. German Trans.:		(Speedi-Sleeve/Seal Kit)		480168
Bearing Only		N1054	1964-1961	All:	
(Self-Aligning)		N1705-SA	Seal		13685
1982-1978	Ford Trans.:		(Speedi-Sleeve)		99138
Bearing Assembly		N1714	1960	All:	
(Self-Aligning)		N1714-SA	Seal		13676
1977-1975	200 (3.3L) Eng.:		(Speedi-Sleeve)		99138
Bearing Assembly		N1444	<b>Shift Shaft</b>		
(Self-Aligning)		N1444-SA	1983-1973	All:	
(Heavy Duty)		N1439	Seal		7556
1977-1975	250 (4.1L) & 302 (5.0L) Eng.:		(Speedi-Sleeve)		99076
Bearing Assembly		N1714	<b>Transmission-Manual</b>		
(Self-Aligning)		N1714-SA	<b>Countershaft</b>		
1974-1971	All:		1983-1977	4 Spd. RUG Trans.:	
Bearing Assembly		N1444	Bearing		[42] QAR33724
(Self-Aligning)		N1444-SA	1983-1974	4 Spd. German Trans.:	
(Heavy Duty)		N1439	Bearing (Front)		[21] C407-Q
1970-1968	427 (7.0L), 428 (7.0L) & 429 (7.0L) Eng.:		Bearing (Rear)		[21] B1316-Q
Bearing Only		N1087	1978-1964	3 Spd. Trans.:	
Bearing Assembly		N1493	Bearing		[50] C1086-Q
1970-1967	6 & 8 Cyl. Exc. 427 (7.0L), 428 (7.0L) & 429 (7.0L) Eng.:		1973-1970	4 Spd. Trans.:	
Bearing Assembly		N1444	Bearing		[42] QAR33724
(Self-Aligning)		N1444-SA	1966-1964	3 Spd. HED Trans. w/6 Cyl. Eng.:	
(Heavy Duty)		N1439	Bearing		[40] C407-Q
1967-1966	200 (3.3L) Eng. w/H.D. Clutch:		1963	4 Spd. Trans.:	
Bearing Only		N1586	Bearing		[44] QAR33724
Bearing Assembly		N1439	<b>Front</b>		
1966	200 (3.3L) Eng. w/o H.D. Clutch:		1983-1974	4 Spd. German Trans.:	
Bearing Only		N1054	Seal		10930
Bearing Assembly		N1461	(Speedi-Sleeve)		99111
1966-1963	8 Cyl. Eng.:		Bearing		■ 6207-ZNJ
Bearing Assembly		N1444	1980-1977	4 Spd. RUG Trans.:	
(Self-Aligning)		N1444-SA	Seal		11123
(Heavy Duty)		N1439	(Speedi-Sleeve)		99112
1965-1960	6 Cyl. Eng.:		Bearing		6209-NRJ
Bearing Only		N1054	1978-1973	3 Spd. RAN Trans.:	
Bearing Assembly		N1461	Seal		11123
<b>Transmission-Automatic</b>			(Speedi-Sleeve)		99112
<b>Front Pump</b>			Bearing		■ 6208-NRJ
1983-1974	C3 Trans.:		1972-1970	4 Spd. Trans.:	
Seal		16225	Seal		11123
1983-1960	w/o C3 Trans.:		(Speedi-Sleeve)		99112
Seal		19807	Bearing		6209-NRJ
(Speedi-Sleeve)		99199			(Continued)
(Speedi-Sleeve/Seal Kit)		480198			



## Passenger cars, light & medium trucks

(Cont.) -- Mercury (RWD) Caliente, Comet, Cyclone, Four-O-Four, GT, S-22, Spoiler, Zephyr

MFG./YEAR	MODEL & LOCATION	PART NO.	MFG./YEAR	MODEL & LOCATION	PART NO.
<b>Transmission-Manual (Cont.)</b>			<b>Transmission-Manual (Cont.)</b>		
<b>Front (Cont.)</b>			<b>Rear</b>		
1972-1965	3 Spd. Trans. w/6 Cyl. Eng. Exc. HED Trans.:		1983-1977	4 Spd. RUG Trans.:	
	Seal .....	11123		Seal .....	14978
	(Speedi-Sleeve) .....	99112		Seal & Bushing Kit .....	14982
	Bearing .....	■ 6208-NJ		(Speedi-Sleeve) .....	99149
1970-1966	4 Spd. H.D. Trans.:			(Speedi-Sleeve/Seal Kit) .....	480148
	Seal .....	13534		Bearing .....	6307-NRJ
	(Speedi-Sleeve) .....	99138	1983-1974	4 Spd. German Trans.:	
	Bearing .....	6209-NRJ		Seal .....	13527
1967-1960	4 Spd. Trans. w/o H.D.:			(Speedi-Sleeve) .....	99138
	Seal .....	11123		Bearing .....	6108-A
	(Speedi-Sleeve) .....	99112	1978-1966	3 Spd. Trans.:	
	Bearing .....	6209-NRJ		Seal .....	14978
1966-1964	4 Spd. Ford Trans.:			Seal & Bushing Kit .....	14982
	Seal .....	11123		(Speedi-Sleeve) .....	99149
	(Speedi-Sleeve) .....	99112		(Speedi-Sleeve/Seal Kit) .....	480148
	Bearing .....	6209-NRJ		Bearing .....	■ 6207-NRJ
1966-1964	4 Spd. Warner Trans.:		1971-1967	4 Spd. Trans. w/o H.D.:	
	Seal .....	11123		Seal .....	15005
	(Speedi-Sleeve) .....	99112		(Speedi-Sleeve) .....	99149
	Bearing .....	6307-NRJ		(Speedi-Sleeve/Seal Kit) .....	480152
1966-1960	3 Spd. HED Trans. w/6 Cyl. Eng.:			Bearing .....	6307-NRJ
	Seal .....	10515	1970-1966	4 Spd. H.D. Trans.:	
	(Speedi-Sleeve) .....	99106		Seal .....	16871
	Bearing .....	■ 6207-NRJ		(Speedi-Sleeve) .....	99168
1964	3 Spd. Trans. w/8 Cyl. Eng.:			Bearing .....	6307-NRJ
	Seal .....	11123	1965-1964	3 Spd. Trans. Exc. H.D.:	
	(Speedi-Sleeve) .....	99112		Seal .....	13676
	Bearing .....	6208-ZNRJ		(Speedi-Sleeve) .....	99138
1963	3 Spd. Trans. w/8 Cyl. Eng.:			Bearing .....	6206-NRJ
	Seal .....	11123	1965-1964	4 Spd. Exc. Ford Trans.:	
	(Speedi-Sleeve) .....	99112		Seal .....	16871
	Bearing .....	■ 6207-NRJ		(Speedi-Sleeve) .....	99168
1963	4 Spd. Trans. w/8 Cyl. Eng.:			Bearing .....	6307-NRJ
	Seal .....	11123	1965-1963	3 Spd. H.D. Trans.:	
	(Speedi-Sleeve) .....	99112		Seal .....	15005
	Bearing .....	6307-NRJ		(Speedi-Sleeve) .....	99149
1962-1960	3 Spd. Trans.:			(Speedi-Sleeve/Seal Kit) .....	480152
	Seal .....	11123		Bearing .....	■ 6207-NRJ
	(Speedi-Sleeve) .....	99112	1963-1960	3 Spd. Trans.:	
<b>Mainshaft Pilot</b>				Seal .....	13676
1983-1977	4 Spd. RUG Trans.:			(Speedi-Sleeve) .....	99138
	Bearing .....	[15] QBR23549		Bearing .....	6206-NRJ
1978	3 Spd. Trans.:		<b>Reverse Idler</b>		
	Bearing .....	[15] QBR23549	1983-1977	4 Spd. RUG Trans.:	
1977-1965	3 Spd. Trans. Exc. HED Trans. & 8 Cyl. Eng.:			Bearing .....	[44] C407-Q
	Bearing .....	[15] QBR23549	1973-1967	4 Spd. Trans.:	
1973-1964	4 Spd. Ford Trans.:			Bearing .....	[44] C407-Q
	Bearing .....	[15] QBR23549	<b>Shift Shaft</b>		
1966-1960	3 Spd. HED Trans. w/6 Cyl. Eng.:		1980-1979	4 Spd. RUG Trans.:	
	Bearing .....	[13] C1110-Q		Seal .....	5510
1964	3 Spd. Trans. w/8 Cyl. Eng.:			(Speedi-Sleeve) .....	99056
	Bearing .....	[15] QBR23549	1978-1973	3 Spd. Trans.:	
1963	3 Spd. Trans. w/8 Cyl. Eng.:			Seal .....	6152
	Bearing .....	[15] C1086-Q		(Speedi-Sleeve) .....	99062
			1967-1963	w/o H.D. Trans.:	
				Seal .....	6130
				(Speedi-Sleeve) .....	99062
					(Continued)

**Mercury (RWD) Caliente, Comet, Cyclone, Four-O-Four, GT, S-22, Spoiler, Zephyr -- (Cont.)**

MFG./YEAR	MODEL & LOCATION	PART NO.	MFG./YEAR	MODEL & LOCATION	PART NO.
<b>Transmission-Manual (Cont.)</b>			<b>Engine (Cont.)</b>		
<b>Shift Shaft (Cont.)</b>			<b>Timing Cover (Cont.)</b>		
1962-1960 All:			1979	302 (5.0L) Eng.:	
	Seal	6130		Seal (Viton)	18544
	(Speedi-Sleeve)	99062		Seal	18548
<b>Air Conditioning Clutch</b>				(Speedi-Sleeve)	99187
1983-1960 All:				(Speedi-Sleeve/Seal Kit)	480185
	Bearing	5106-WCC	1978-1968	302 (5.0L) Eng.:	
<b>Alternator</b>				Seal (Viton)	18546
1983-1964 All:				Seal	18562
	Bearing (Front)	6203-2RSJ		(Speedi-Sleeve)	99187
	Bearing (Rear)	MNJ471-S		(Speedi-Sleeve/Seal Kit)	480186
<b>Engine</b>			1977-1963	250 (4.1L), 260 (4.3L), 289 (4.7L) & 351 (5.8L) Eng.:	
<b>Auxiliary Shaft</b>				Seal (Viton)	18546
1983-1978 140 (2.3L) Eng.:				Seal	18562
	Seal (Viton)	17107		(Speedi-Sleeve)	99187
	Seal	17106		(Speedi-Sleeve/Seal Kit)	480186
<b>Camshaft</b>			1972-1960	144 (2.4L), 170 (2.8L) & 200 (3.3L) Eng.:	
1983-1978 140 (2.3L) Eng.:				Seal (Viton)	18546
	Seal (Viton)	17107		Seal	18562
	Seal	17106		(Speedi-Sleeve)	99187
<b>Crankshaft-Rear</b>				(Speedi-Sleeve/Seal Kit)	480186
1983-1982 140 (2.3L) Eng. From 9/28/81:			1971-1966	390 (6.4L), 427 (7.0L), 428 (7.0L) & 429 (7.0L) Eng.:	
	Seal	36147		Seal (Viton)	18544
	(Speedi-Sleeve)	99362		Seal	18548
1983-1960 144 (2.4L), 170 (2.8L) & 200 (3.3L) Eng.:				(Speedi-Sleeve)	99187
	Seal (Rope)	196		(Speedi-Sleeve/Seal Kit)	480185
	Seal (Rubber)	204	<b>Generator</b>		
1982-1978 140 (2.3L) Eng. Thru 9/27/81:			1964	All:	
	Seal (Rubber)	205		Bearing (Front)	6203-2RSJ
1982-1963 250 (4.1L), 255 (4.2L), 260 (4.3L), 289 (4.7L) & 302 (5.0L) Eng.:				Bearing (Rear)	6200-2RSJ
	Seal (Rope)	196	1963-1960	w/o H.D.:	
	Seal (Rubber)	205		Bearing (Front)	6203-2RSJ
1971 429 (7.0L) Eng.:				Bearing (Rear)	6200-2RSJ
	Seal (Rope)	196	1962-1960	H.D.:	
	Seal (Rubber)	201		Bearing (Front)	6204-2RSJ
1971-1969 351 (5.8L) Eng.:				Bearing (Rear)	6200-2RSJ
	Seal (Rope)	196	<b>Steering-Power</b>		
	Seal (Rubber)	211	<b>Pitman Shaft</b>		
1969-1966 390 (6.4L), 427 (7.0L) & 428 (7.0L) Eng.:			1977-1973	All:	
	Seal (Rope)	196		Seal	11081
<b>Timing Belt Tensioner</b>			<b>Pump Shaft</b>		
1983-1978 Zephyr w/2.3L Eng.:			1983-1965	Ford Pump:	
	Bearing & Housing Assy.	VKM54001		Seal	6765
<b>Timing Cover</b>			1979	Saginaw Pump:	
1983-1978 140 (2.3L) Eng.:				Seal	7475
	Seal (Viton)	17107	1967-1965	Eaton Pump:	
	Seal	17106		Seal	7465
1983-1973 200 (3.3L) Eng.:			1964-1962	All:	
	Seal	17271		Seal	7465
	(Speedi-Sleeve)	99174	<b>Worm Shaft</b>		
1982-1980 255 (4.2L) Eng.:			1982-1978	TRW:	
	Seal (Viton)	18544		Seal	8620
	Seal	18548			(Continued)
	(Speedi-Sleeve)	99187			
	(Speedi-Sleeve/Seal Kit)	480185			

## Passenger cars, light & medium trucks

(Cont.) -- Mercury (RWD) Caliente, Comet, Cyclone, Four-0-Four, GT, S-22, Spoiler, Zephyr

MFG./YEAR	MODEL & LOCATION	PART NO.	MFG./YEAR	MODEL & LOCATION	PART NO.
<b>Steering-Standard Housing</b>			<b>Steering-Standard (Cont.) Housing (Cont.)</b>		
1977-1971	All:		1960	Saginaw Strg. Gear:	
	Seal .....	11081		Seal .....	11065
1970-1963	All:				
	Seal (1.000" Shaft) .....	9835			
	Seal (1.125" Shaft) .....	11081			
1962-1961	All:				
	Seal .....	9835			
1960	w/o Saginaw Strg. Gear:				
	Seal .....	9835			

## Mercury (RWD) Cougar (thru 1995), Eliminator, XR-7

### Wheel Front

1995-1991	All:	
	Hub Assembly .....	BR930048
1990-1989	w/o ABS:	
	Hub Assembly .....	BR930003
1990-1989	ABS:	
	Hub Assembly .....	BR930004
1988-1980	w/o Turbo Eng.:	
	Seal .....	19221
	Bearing (Inner) .....	BR17
	(Set Components) .....	L68149/L68111
	Bearing (Outer) .....	BR12
	(Set Components) .....	LM12749/LM12710
1986-1984	Turbo:	
	Seal .....	19223
	Bearing (Inner) .....	BR5
	(Set Components) .....	LM48548/LM48510
	Bearing (Outer) .....	BR12
	(Set Components) .....	LM12749/LM12710
1979-1974	All:	
	Seal .....	19221
	Bearing (Inner) .....	BR11
	(Set Components) .....	JL69349/JL69310
	Bearing (Outer) .....	BR12
	(Set Components) .....	LM12749/LM12710
1973-1970	All:	
	Seal .....	19221
	Bearing (Inner) .....	BR13
	(Set Components) .....	L68149/L68110
	Bearing (Outer) .....	BR12
	(Set Components) .....	LM12749/LM12710
1969-1967	Disc Brks.:	
	Seal .....	19221
	Bearing (Inner) .....	BR6
	(Set Components) .....	LM67048/LM67010
	Bearing (Outer) .....	BR2
	(Set Components) .....	LM11949/LM11910
1969-1967	Drum Brks.:	
	Seal .....	19221
	Bearing (Inner) .....	BR6
	(Set Components) .....	LM67048/LM67010
	Bearing (Outer) .....	BR2
	(Set Components) .....	LM11949/LM11910

### Wheel Rear

1995-1989	All:	
	Sealed Bearing .....	FW115
	C-Clip .....	CIR115
1988-1980	All:	
	Seal .....	13992
	Bearing .....	R1563-TAV
	(Axle Repair Brg. Assy.) .....	• R1563
1979-1978	Ball Brg. w/9.00" Ring Gear:	
	Seal .....	15142
	Bearing w/Lock Ring .....	88128-RA
1979-1977	Ball Brg. w/o 9.00" Ring Gear:	
	Seal .....	15142
	Bearing w/Lock Ring .....	88128-RB
1979-1974	Roller Brg.:	
	Seal .....	18881
	Bearing .....	BR20
1976	Ball Brg.:	
	Seal .....	15142
	Bearing w/Lock Ring .....	88128-RA
1974	Ball Brg.:	
	Seal .....	15142
	Bearing w/Lock Ring .....	88128-RB
1973	All:	
	Seal .....	13700
	Sealed Bearing w/Lock Ring .....	RW207-CCRA
1972-1969	28 Spline Axle Sh.:	
	Seal .....	13700
	Sealed Bearing w/Lock Ring .....	RW207-CCRA
1972-1969	31 Spline Axle Sh.:	
	Seal .....	14968
	Sealed Bearing w/Lock Ring .....	RW207-CCRA
1968	WEZ Axle:	
	Seal .....	13700
	Sealed Bearing w/Lock Ring .....	RW207-CCRA
1968	427 (7.0L) Eng.:	
	Seal .....	14968
	Sealed Bearing w/Lock Ring .....	RW207-CCRA
1968-1967	w/o 427 (7.0L) Eng. & WEZ Axle:	
	Seal .....	13738
	Sealed Bearing w/Lock Ring .....	RW207-CCRA
<b>Axle Shaft</b>		
1995-1989	All:	
	Seal .....	16262
	Bearing .....	FC66998

(Continued)

## Passenger cars, light & medium trucks

### Mercury (RWD) Cougar (thru 1995), Eliminator, XR-7 -- (Cont.)

MFG./YEAR	MODEL & LOCATION	PART NO.	MFG./YEAR	MODEL & LOCATION	PART NO.
<b>Pinion</b>			<b>Differential (Cont.)</b>		
1995-1980	7.50" & 8.80" Ring Gears:		1970-1967	351, 390, 421 & 428 Engs. Thru 5/12/70:	
	Seal .....	18136		Bearing .....	[2] BR37
	(Speedi-Sleeve) .....	99181		(Set Components) .....	LM603049/LM603011
	Bearing (Front) .....	BR52	1968-1967	8.0" Ring Gear w/289 & 302 Engs.:	
	(Set Components) .....	M88048/M88010		Bearing .....	[2] BR35
	Bearing (Rear) .....	M802048/M802011		(Set Components) .....	LM501349/LM501310
1979-1975	All:		<b>Kit</b>		
	Seal .....	18833	1995-1988	8.80 " Ring Gear:	
	(Speedi-Sleeve) .....	99181		Standard Seal and Bearing Kit Rear .....	SDK311
	Bearing .....	[2] BR52		Master Seal and Bearing Kit Rear .....	SDK311-MK
	(Set Components) .....	M88048/M88010	1995-1980	7.50 " Ring Gear:	
	Bearing (Pilot) .....	R1535-TAV		Standard Seal and Bearing Kit Rear .....	SDK315
1974	WEC Axle:		1979-1970	9.00 " 31 spline STSP 5/11/1970 Ring Gear:	
	Seal .....	18833		Standard Seal and Bearing Kit Rear .....	SDK313
	(Speedi-Sleeve) .....	99181	1970-1967	9.00 " 28 spline ENSP 5/10/70 Ring Gear:	
	Bearing .....	[2] BR52		Standard Seal and Bearing Kit Rear .....	SDK312
	(Set Components) .....	M88048/M88010	1968-1967	8.00 " Ring Gear:	
	Bearing (Pilot) .....	R1535-TAV		Standard Seal and Bearing Kit Rear .....	SDK310
	Bearing (Rear) .....	M802048/M802011	<b>Clutch</b>		
1974	w/o WEC Axle:		<b>Pilot</b>		
	Seal .....	18833	1995-1990	All:	
	(Speedi-Sleeve) .....	99181		Bearing .....	B65174
	Bearing .....	[2] BR52	1989	6 Cyl. Eng.:	
	(Set Components) .....	M88048/M88010		Bearing .....	B65174
	Bearing (Pilot) .....	R1535-TAV	1986-1981	4 Cyl. Eng.:	
1973	All:			Bearing .....	FC65354
	Seal .....	18833	1973	All:	
	(Speedi-Sleeve) .....	99181		Bearing .....	N3058
	Bearing .....	[2] BR52	<b>Release</b>		
	(Set Components) .....	M88048/M88010	1995-1989	All:	
	Bearing (Pilot) .....	R1535-TAV		Bearing Assembly .....	N4061
1972-1967	WES, WFB & WFD Axles:		1988-1980	w/o 4 Spd. German Trans.:	
	Seal .....	18100		Bearing Assembly .....	N1714
	(Speedi-Sleeve) .....	99181		(Self-Aligning) .....	N1714-SA
	Bearing .....	[2] BR52	1986-1980	4 Spd. German Trans.:	
	(Set Components) .....	M88048/M88010		Bearing Only .....	N1054
	Bearing (Pilot) .....	R1535-TAV		(Self-Aligning) .....	N1705-SA
1972-1967	WES, WFD & WFU (31 Spline) Axles:		1973-1967	w/o 427, 428 & 429 Engs.:	
	Seal .....	18100		Bearing Assembly .....	N1444
	(Speedi-Sleeve) .....	99181		(Self-Aligning) .....	N1444-SA
	Bearing (Front) .....	BR52		(Heavy Duty) .....	N1439
	(Set Components) .....	M88048/M88010	1971-1968	427 (7.0L), 428 (7.0L) & 429 (7.0L) Engs.:	
	Bearing (Pilot) .....	R1535-TAV		Bearing Only .....	N1087
	Bearing (Rear) .....	HM89443/HM89410		Bearing Assembly .....	N1493
1968-1967	WCZ & WDZ Axles:		<b>Transmission-Automatic</b>		
	Seal .....	18100	<b>Front Pump</b>		
	(Speedi-Sleeve) .....	99181	1995-1994	AOD-E & AODE-W Trans.:	
	Bearing .....	[2] M86649/M86610		Seal .....	19799
	Bearing (Pilot) .....	R1558-TAV		(Reorder:) .....	+20031
<b>Differential</b>				(Speedi-Sleeve) .....	99196
1995-1987	8.80" Ring Gear:		1993-1967	w/o A4LD & C3 Trans.:	
	Seal .....	16262		Seal .....	19807
	Bearing .....	[2] BR36		(Speedi-Sleeve) .....	99199
	(Set Components) .....	LM603049/LM603012		(Speedi-Sleeve/Seal Kit) .....	480198
	Bearing (Pilot) .....	BH4015	1988-1980	A4LD & C3 Trans.:	
1995-1980	7.50" Ring Gear:			Seal .....	16225
	Seal .....	16262	<b>Rear</b>		
	Bearing .....	[2] BR72	1995-1994	AOD-E & AODE-W Trans.:	
	(Set Components) .....	LM501349/LM501314		Seal .....	15966
	Bearing (Pilot) .....	BH4015			(Continued)
1979-1970	From 5/13/70:				
	Bearing .....	[2] BR50			
	(Set Components) .....	LM102949/LM102910			

# Passenger cars, light & medium trucks

## (Cont.) -- Mercury (RWD) Cougar (thru 1995), Eliminator, XR-7

MFG./YEAR	MODEL & LOCATION	PART NO.	MFG./YEAR	MODEL & LOCATION	PART NO.
<b>Transmission-Automatic (Cont.)</b>			<b>Transmission-Manual (Cont.)</b>		
<b>Rear (Cont.)</b>			<b>Input Shaft (Cont.)</b>		
<b>1993-1967 AOD, AOT, C4 &amp; C5 Trans.:</b>			<b>1971-1967 4 Spd. Trans. Exc. 390, 428 &amp; 429 Eng. w/RUG-AK &amp; AL Trans.:</b>		
Seal		14978	Seal		11123
(Speedi-Sleeve)		99149	(Speedi-Sleeve)		99112
(Speedi-Sleeve/Seal Kit)		480148	Bearing		6209-NRJ
Seal & Bushing Kit		14982	<b>1971-1967 4 Spd. RUK-AK &amp; AL Trans. w/390, 428 &amp; 429 Eng.:</b>		
<b>1988-1980 A4LD &amp; C3 Trans.:</b>			Seal		13534
Seal		13685	(Speedi-Sleeve)		99138
(Speedi-Sleeve)		99138	Bearing		6209-NRJ
<b>1979-1967 Cruise-O-Matic &amp; C6 Trans.:</b>			<b>Mainshaft Pilot</b>		
Seal		16725	<b>1989-1983 5 Spd. Warner REP Trans.:</b>		
Seal & Bushing Kit		16727	Bearing	[15]	QBR23549
(Speedi-Sleeve)		99168	<b>1973-1967 All:</b>		
(Speedi-Sleeve/Seal Kit)		480168	Bearing	[15]	QBR23549
<b>Shift Shaft</b>			<b>Output Shaft</b>		
<b>1995-1967 All:</b>			<b>1995-1989 5 Spd RKE Trans.:</b>		
Seal		7556	Seal		14900
(Speedi-Sleeve)		99076	Bearing (Front)		BR69
<b>Transmission-Manual</b>			Bearing (Rear)		6207-VSP33
<b>Countershaft</b>			<b>1991-1983 5 Spd. Warner REP Trans.:</b>		
<b>1995-1989 5 Spd. RKE Trans.:</b>			Seal		14978
Bearing (Front)		MR1205-EX	(Speedi-Sleeve)		99149
Bearing (Center)		MR1207-EL	(Speedi-Sleeve/Seal Kit)		480148
Bearing (Rear)		6304-J	Seal & Bushing Kit		14982
<b>1989-1985 5 Spd. Warner REP Trans.:</b>			Bearing		BR25877/BR25821
Bearing (Front)		LM67048/LM67010BCE	<b>1982-1981 4 Spd. German Trans.:</b>		
Bearing (Rear)		BR6	Seal		13527
(Set Components)		LM67048/LM67010	(Speedi-Sleeve)		99138
<b>1984-1983 5 Spd. Warner REP Trans.:</b>			<b>1973-1967 4 Spd. Trans. Exc. H.D.:</b>		
Bearing (Front)		LM67048/LM67010BCE	Seal		14978
Bearing (Center)		DK55836	(Speedi-Sleeve)		99149
Bearing (Rear)		BR6	(Speedi-Sleeve/Seal Kit)		480148
(Set Components)		LM67048/LM67010	Bearing		6307-NRJ
<b>1982-1981 4 Spd. German Trans.:</b>			<b>1972-1967 3 Spd. Trans.:</b>		
Bearing (Front)		[21] C407-Q	Seal		15005
Bearing (Rear)		[21] B1316-Q	(Speedi-Sleeve)		99149
<b>1973-1967 4 Spd. Ford Trans.:</b>			(Speedi-Sleeve/Seal Kit)		480152
Bearing		[42] QAR33724	Bearing		6207-NRJ
<b>1972-1967 3 Spd. Trans.:</b>			<b>1972-1967 4 Spd. H.D. Trans.:</b>		
Bearing		[50] C1086-Q	Seal		16871
<b>Input Shaft</b>			(Speedi-Sleeve)		99168
<b>1995-1989 5 Spd. RKE Trans.:</b>			Bearing		6207-NRJ
Seal		11612	<b>Reverse Idler</b>		
(Speedi-Sleeve)		99114	<b>1973-1967 4 Spd. Trans.:</b>		
Bearing (Front)		BR55	Bearing		[44] C407-Q
<b>1991-1984 5 Spd. Warner REP Trans.:</b>			<b>Air Conditioning Clutch</b>		
Seal		12363	<b>1995-1989 FX-15 Comp.:</b>		
(Speedi-Sleeve)		99125	Bearing		5106-WCC
Bearing		BR5	<b>1994-1983 232 (3.8L) Eng. From 6/4/83 w/o Swash Plate:</b>		
(Set Components)		LM48548/LM48510	Bearing		AC1
<b>1982-1981 4 Spd. German Trans.:</b>			<b>1993-1980 Swash Plate:</b>		
Seal		10930	Bearing		5908-VAW
(Speedi-Sleeve)		99111	<b>1984 140 (2.3L) Eng. From 4/84 Exc. Swash Plate:</b>		
Bearing		6207-NJ	Bearing		5908-VAW
<b>1973-1972 4 Spd. Trans.:</b>			<b>1979-1967 All:</b>		
Seal		11123	Bearing		5106-WCC
(Speedi-Sleeve)		99112			(Continued)
Bearing		6209-NRJ			
<b>1972-1967 3 Spd. Trans.:</b>					
Seal		11123			
(Speedi-Sleeve)		99112			
Bearing		6208-NRJ			

## Passenger cars, light & medium trucks

### Mercury (RWD) Cougar (thru 1995), Eliminator, XR-7 -- (Cont.)

MFG./YEAR	MODEL & LOCATION	PART NO.	MFG./YEAR	MODEL & LOCATION	PART NO.
<b>Alternator</b>			<b>Engine (Cont.)</b>		
1995-1994	Mitsubishi w/SC:		<b>Timing Cover (Cont.)</b>		
	Bearing (Front) .....	AB6	1995-1994	280 (4.6L) Eng.:	
1992-1967	w/o Mitsubishi:		Seal .....		18757
	Bearing (Front) .....	6203-2RSJ	(Speedi-Sleeve) .....		99187
	Bearing (Rear) .....	MNJ471-S	1993-1983	230 (3.8L) Eng.:	
1989	Mitsubishi:		Seal (Viton) .....		18544
	Bearing (Rear) .....	AB4	Seal .....		18548
<b>Engine</b>			(Speedi-Sleeve) .....		99187
<b>Auxiliary Shaft</b>			(Speedi-Sleeve/Seal Kit) .....		480185
1986-1981	140 (2.3L) Eng.:		1993-1979	302 (5.0L) & 351 W (5.8L) Eng.:	
	Seal (Viton) .....	17107	Seal (Viton) .....		18544
	Seal .....	17106	Seal .....		18548
<b>Camshaft</b>			(Speedi-Sleeve) .....		99187
1986-1981	140 (2.3L) Eng.:		(Speedi-Sleeve/Seal Kit) .....		480185
	Seal (Viton) .....	17107	1986-1981	140 (2.3L) Eng.:	
	Seal .....	17106	Seal (Viton) .....		17107
<b>Crankshaft-Rear</b>			Seal .....		17106
1995-1983	230 (3.8L) Eng. w/o SC From 1/83:		1982-1980	200 (3.3L) Eng.:	
	Seal .....	36147	Seal .....		17271
	(Speedi-Sleeve) .....	99362	(Speedi-Sleeve) .....		99174
1995-1983	280 (4.6L) & 302 (5.0L) Eng.:		1982-1973	255 (4.2L), 351 C & M (5.8L) & 400 (6.6L) Eng.:	
	Seal .....	36147	Seal (Viton) .....		18544
	(Speedi-Sleeve) .....	99362	Seal .....		18548
1989	230 (3.8L) SC Eng. Thru 3/12/89:		(Speedi-Sleeve) .....		99187
	Seal .....	36147	(Speedi-Sleeve/Seal Kit) .....		480185
	(Speedi-Sleeve) .....	99362	1978-1974	302 (5.0L), 351 W (5.8L) & 460 (7.5L) Eng.:	
1986-1984	140 (2.3L) Eng.:		Seal (Viton) .....		18546
	Seal .....	36147	Seal .....		18562
	(Speedi-Sleeve) .....	99362	(Speedi-Sleeve) .....		99187
1983-1982	232 (3.8L) Eng. Thru 12/82:		(Speedi-Sleeve/Seal Kit) .....		480186
	Seal (Rope) .....	196	1972-1967	289 (4.7L), 302 (5.0L) & 351 (5.8L) Eng.:	
	Seal (Rubber) .....	205	Seal (Viton) .....		18546
1983-1977	255 (4.2L), 289 (4.7L) & 302 (5.0L) Eng. Thru 11/82:		Seal .....		18562
	Seal (Rope) .....	196	(Speedi-Sleeve) .....		99187
	Seal (Rubber) .....	205	(Speedi-Sleeve/Seal Kit) .....		480186
1982-1980	200 (3.3L) Eng.:		1970-1967	390 (6.4L), 427 (7.0L), 428 (7.0L) & 429 (7.0L) Eng.:	
	Seal (Rope) .....	196	Seal (Viton) .....		18544
	Seal (Rubber) .....	204	Seal .....		18548
1981	140 (2.3L) Eng. Thru 9/27/81:		(Speedi-Sleeve) .....		99187
	Seal (Rubber) .....	205	(Speedi-Sleeve/Seal Kit) .....		480185
1979-1969	351 (5.8L) & 400 (6.6L) Eng.:		<b>Steering-Power</b>		
	Seal (Rope) .....	196	<b>Pitman Shaft</b>		
	Seal (Rubber) .....	211	1995-1980	All:	
1976	429 (7.0L) & 460 (7.5L) Eng.:		Bearing .....		FC65753
	Seal (Rope) .....	196	1978-1973	Saginaw Gear:	
	Seal (Rubber) .....	201	Seal (Inner) .....		12371
1970-1968	390 (6.4L), 427 (7.0L) & 428 (7.0L) Eng.:		Seal (Outer) .....		12355
	Seal (Rope) .....	196	Seal Kit .....		12392
<b>Timing Belt Tensioner</b>			1973-1971	Ford Gear:	
1986-1981	140 (2.3L) Eng.:		Bearing .....		B1816
	Bearing & Housing Assy. ....	VKM54001	<b>Pump Shaft</b>		
<b>Timing Belt and Tensioner Kit</b>			1995-1967	All:	
1986-1981	140 (2.3L) Eng.:		Seal .....		6765
	Belt & Tensioner Kit .....	VKMA44001	<b>Worm Shaft</b>		
<b>Timing Cover</b>			1982-1980	TRW:	
1995-1994	230 (3.8L) Eng.:		Seal .....		8620
	Seal .....	18577	1979-1975	Ford Gear:	
	(Speedi-Sleeve) .....	99187	Seal .....		8178

(Continued)

# Passenger cars, light & medium trucks

## (Cont.) -- Mercury (RWD) Cougar (thru 1995), Eliminator, XR-7

MFG./YEAR	MODEL & LOCATION	PART NO.	MFG./YEAR	MODEL & LOCATION	PART NO.
<b>Steering-Power (Cont.)</b>					
<b>Worm Shaft (Cont.)</b>					
1978-1973 Saginaw Gear:					
	Seal .....	8648			
<b>Steering-Standard</b>					
<b>Pitman Shaft</b>					
1974-1967 All:					
	Seal .....	11081			
1973-1971 Ford Gear:					
	Bearing .....	B1816			

## Mercury (RWD) Marquis (from 1983), Monarch

### Wheel Front

1986-1983 All:	
Seal .....	19221
Bearing (Inner) .....	BR17
(Set Components) .....	L68149/L68111
Bearing (Outer) .....	BR12
(Set Components) .....	LM12749/LM12710
1980-1975 All:	
Seal .....	19221
Bearing (Inner) .....	BR13
(Set Components) .....	L68149/L68110
Bearing (Outer) .....	BR12
(Set Components) .....	LM12749/LM12710

### Wheel Rear

1986-1983 7.50" & 8.50" Ring Gears:	
Seal .....	13992
Bearing .....	R1563-TAV
(Axle Repair Brg. Assy.) .....	• R1563
1980 9.00" Ring Gear:	
Seal .....	13700
Sealed Bearing w/Lock Ring .....	RW207-CCRA
1980-1975 8.00" Ring Gear:	
Seal .....	13700
Sealed Bearing w/Lock Ring .....	RW207-CCRA
1979-1975 8.70" Ring Gear:	
Seal .....	13992
Bearing .....	R1563-TAV
(Axle Repair Brg. Assy.) .....	• R1563
1979-1975 9.00" Ring Gear w/Disc Brks.:	
Seal (Inner) .....	15142
Seal (Outer) .....	19773
Sealed Bearing w/Lock Ring .....	88128-R
1979-1975 9.00" Ring Gear w/Drum Brks.:	
Seal .....	13700
Sealed Bearing w/Lock Ring .....	RW207-CCRA

### Pinion

1986-1983 7.50" & 8.50" Ring Gears:	
Seal .....	18136
Bearing (Front) .....	BR52
(Set Components) .....	M88048/M88010
Bearing (Rear) .....	M802048/M802011
1980-1975 8.00" Ring Gear:	
Seal .....	18100
Bearing .....	[2] M86649/M86610
Bearing (Pilot) .....	R1558-TAV

### Pinion (Cont.)

1980-1975 9.00" Ring Gear:	
Seal .....	18833
(Speedi-Sleeve) .....	99181
Bearing .....	[2] BR52
(Set Components) .....	M88048/M88010
Bearing (Pilot) .....	R1535-TAV
1978-1975 8.70" Ring Gear:	
Seal .....	18136
(Speedi-Sleeve) .....	99181
Bearing (Front) .....	BR52
(Set Components) .....	M88048/M88010
Bearing (Rear) .....	M802048/M802011

### Differential

1986-1983 7.50" & 8.50" Ring Gears:	
Bearing .....	[2] BR72
(Set Components) .....	LM501349/LM501314
1980-1975 8.00" Ring Gear:	
Bearing .....	[2] BR35
(Set Components) .....	LM501349/LM501310
1980-1975 8.70" & 9.00" Ring Gears:	
Bearing .....	[2] BR50
(Set Components) .....	LM102949/LM102910

### Kit

1986-1983 7.50" Ring Gear:	
Standard Seal and Bearing Kit Rear .....	SDK315
1980-1975 8.00" Ring Gear:	
Standard Seal and Bearing Kit Rear .....	SDK310
1980-1975 9.00" Ring Gear:	
Standard Seal and Bearing Kit Rear .....	SDK313

### Clutch

#### Pilot

1986-1983 All:	
Bearing .....	FC65354
1980-1975 6 Cyl. Eng.:	
Bearing .....	B65174

#### Release

1986-1980 German Trans.:	
Bearing Only .....	N1054
(Self-Aligning) .....	N1705-SA
1980-1975 250 (4.1L) & 302 (5.0L) Engs.:	
Bearing Assembly .....	N1714
(Self-Aligning) .....	N1714-SA
1977-1975 200 (3.3L) Eng.:	
Bearing Assembly .....	N1444
(Self-Aligning) .....	N1444-SA
(Heavy Duty) .....	N1439

(Continued)

## Passenger cars, light & medium trucks

### Mercury (RWD) Marquis (from 1983), Monarch -- (Cont.)

MFG./YEAR	MODEL & LOCATION	PART NO.	MFG./YEAR	MODEL & LOCATION	PART NO.
<b>Transmission-Automatic</b>			<b>Transmission-Manual (Cont.)</b>		
<b>Front Pump</b>			<b>Rear</b>		
<b>1986-1980 AOT &amp; C5 Trans.:</b>			<b>1983 4 Spd. German Trans.:</b>		
	Seal .....	19807		Seal .....	13527
	(Speedi-Sleeve) .....	99199		(Speedi-Sleeve) .....	99138
	(Speedi-Sleeve/Seal Kit) .....	480198	<b>1983-1977 4 Spd. RUG Trans.:</b>		
<b>1986-1980 C3 Trans.:</b>				Seal .....	14978
	Seal .....	16225		Seal & Bushing Kit .....	14982
<b>1980-1977 Jatco Trans.:</b>				(Speedi-Sleeve) .....	99149
	Seal .....	16514		(Speedi-Sleeve/Seal Kit) .....	480148
	(Speedi-Sleeve) .....	99169		Bearing .....	6307-NRJ
<b>1980-1975 C4 Trans.:</b>			<b>1978-1975 3 Spd. RAN Trans.:</b>		
	Seal .....	19807		Seal .....	14978
	(Speedi-Sleeve) .....	99199		Seal & Bushing Kit .....	14982
	(Speedi-Sleeve/Seal Kit) .....	480198		(Speedi-Sleeve) .....	99149
<b>Rear</b>				(Speedi-Sleeve/Seal Kit) .....	480148
<b>1986-1980 AOT &amp; C5 Trans.:</b>				Bearing .....	■ 6207-NRJ
	Seal .....	14978	<b>Reverse Idler</b>		
	Seal & Bushing Kit .....	14982	<b>1983-1977 4 Spd. RUG Trans.:</b>		
	(Speedi-Sleeve) .....	99149		Bearing .....	[44] C407-Q
	(Speedi-Sleeve/Seal Kit) .....	480148	<b>Shift Shaft</b>		
<b>1986-1980 C3 Trans.:</b>			<b>1980-1979 All:</b>		
	Seal .....	13685		Seal .....	5510
	(Speedi-Sleeve) .....	99138		(Speedi-Sleeve) .....	99056
<b>1980-1975 All:</b>			<b>Air Conditioning Clutch</b>		
	Seal .....	14978	<b>1986-1980 Integral A/C:</b>		
	Seal & Bushing Kit .....	14982		Bearing .....	5106-WCC
	(Speedi-Sleeve) .....	99149	<b>1984-1983 230 (3.8L) Eng. From 6/4/83:</b>		
	(Speedi-Sleeve/Seal Kit) .....	480148		Bearing .....	AC1
<b>Shift Shaft</b>			<b>1980 Swash Plate:</b>		
<b>1986-1983 All:</b>				Bearing .....	5908-VAW
	Seal .....	7556	<b>Alternator</b>		
	(Speedi-Sleeve) .....	99076	<b>1986-1983 All:</b>		
<b>1980-1975 C4 Trans.:</b>				Bearing (Front) .....	6203-2RSJ
	Seal .....	7556		Bearing (Rear) .....	MNJ471-S
	(Speedi-Sleeve) .....	99076	<b>1980-1975 All:</b>		
<b>Transmission-Manual</b>				Bearing (Front) .....	6203-2RSJ
<b>Countershaft</b>				Bearing (Rear) .....	MNJ471-S
<b>1983-1977 4 Spd. RUG Trans.:</b>			<b>Engine</b>		
	Bearing .....	[44] QAR33724	<b>Auxiliary Shaft</b>		
<b>1976-1975 3 Spd. RAN Trans.:</b>			<b>1986-1983 140 (2.3L) Eng.:</b>		
	Bearing .....	[50] C1086-Q		Seal (Viton) .....	17107
<b>Front</b>				Seal .....	17106
<b>1983 4 Spd. German Trans.:</b>			<b>Camshaft</b>		
	Seal .....	10930	<b>1986-1983 140 (2.3L) Eng.:</b>		
	(Speedi-Sleeve) .....	99111		Seal (Viton) .....	17107
<b>1983-1977 4 Spd. RUG Trans.:</b>				Seal .....	17106
	Seal .....	11111	<b>Crankshaft-Rear</b>		
	(Speedi-Sleeve) .....	99112	<b>1986-1983 140 (2.3L) Eng.:</b>		
	Bearing .....	6209-NRJ		Seal .....	36147
<b>1978-1975 3 Spd. RAN Trans.:</b>				(Speedi-Sleeve) .....	99362
	Seal .....	11123	<b>1986-1983 230 (3.8L) Eng. From 1/83:</b>		
	(Speedi-Sleeve) .....	99112		Seal .....	36147
	Bearing .....	■ 6208-NRJ		(Speedi-Sleeve) .....	99362
<b>Mainshaft Pilot</b>			<b>1985-1984 302 (5.0L) Eng.:</b>		
<b>1983-1977 4 Spd. RUG Trans.:</b>				Seal .....	36147
	Bearing .....	[15] QBR23549		(Speedi-Sleeve) .....	99362
<b>1978-1975 3 Spd. RAN Trans.:</b>			<b>1983 200 (3.3L) Eng.:</b>		
	Bearing .....	[15] QBR23549		Seal (Rope) .....	196
				Seal (Rubber) .....	204

(Continued)



# Passenger cars, light & medium trucks

## (Cont.) -- Mercury (RWD) Marquis (from 1983), Monarch

MFG./YEAR	MODEL & LOCATION	PART NO.	MFG./YEAR	MODEL & LOCATION	PART NO.
<b>Engine (Cont.)</b>			<b>Engine (Cont.)</b>		
<b>Crankshaft-Rear (Cont.)</b>			<b>Timing Cover (Cont.)</b>		
1983	230 (3.8L) Eng. Thru 12/82:		1977-1975	V8 Eng.:	
	Seal (Rope) .....	196		Seal (Viton) .....	18546
	Seal (Rubber) .....	205		Seal .....	18562
1980-1975	250 (4.1L), 255 (4.2L) & 302 (5.0L) Eng.:			(Speedi-Sleeve) .....	99187
	Seal (Rope) .....	196		(Speedi-Sleeve/Seal Kit) .....	480186
	Seal (Rubber) .....	205	1977-1975	200 (3.3L) Eng.:	
1977-1975	200 (3.3L) Eng.:			Seal .....	17271
	Seal (Rope) .....	196		(Speedi-Sleeve) .....	99174
	Seal (Rubber) .....	204	<b>Steering-Power</b>		
1977-1975	351 W (5.8L) Eng.:		<b>Pitman Shaft</b>		
	Seal (Rope) .....	196	1980-1975 All:		
	Seal (Rubber) .....	211	Seal .....		
<b>Timing Cover</b>			11081		
1986-1983	140 (2.3L) Eng.:		<b>Pump Shaft</b>		
	Seal (Viton) .....	17107	1986-1983 Ford Pump:		
	Seal .....	17106	Seal .....		
1986-1983	230 (3.8L) Eng.:		1980-1975 Ford Pump:		
	Seal (Viton) .....	18544	Seal .....		
	Seal .....	18548	1979 Saginaw Pump:		
	(Speedi-Sleeve) .....	99187	Seal .....		
	(Speedi-Sleeve/Seal Kit) .....	480185	7475		
1985-1979	255 (4.2L), 302 (5.0L) & 351 W (5.8L) Eng.:		<b>Steering-Standard</b>		
	Seal (Viton) .....	18544	<b>Pitman Shaft</b>		
	Seal .....	18548	1980-1975 All:		
	(Speedi-Sleeve) .....	99187	Seal .....		
	(Speedi-Sleeve/Seal Kit) .....	480185	Bearing .....		
1983	200 (3.3L) Eng.:		11081		
	Seal .....	17271	B1816		
	(Speedi-Sleeve) .....	99174			
1980-1975	250 (4.1L) & 351 W (5.8L) Eng.:				
	Seal (Viton) .....	18546			
	Seal .....	18562			
	(Speedi-Sleeve) .....	99187			
	(Speedi-Sleeve/Seal Kit) .....	480186			

## Mercury (RWD) Meteor, S-33

<b>Wheel Front</b>			<b>Wheel Rear (Cont.)</b>		
1976-1974	All:		1976-1973	8.70" Ring Gear WER Axle:	
	Seal .....	19221		Seal .....	13992
	Bearing (Inner) .....	BR11		Bearing .....	R1563-TAV
	(Set Components) .....	JL69349/JL69310		(Axle Repair Brg. Assy.) .....	• R1563
	Bearing (Outer) .....	BR12	1974-1973	9.00" Ring Gear w/Ball Brg.:	
	(Set Components) .....	LM12749/LM12710		Seal .....	15142
1973	All:			Bearing w/Lock Ring .....	88128-RB
	Seal .....	19221	1963-1962	All:	
	Bearing (Inner) .....	BR13		Seal .....	13875
	(Set Components) .....	L68149/L68110		Sealed Bearing w/Lock Ring .....	RW207-CCRA
	Bearing (Outer) .....	BR12	<b>Pinion</b>		
	(Set Components) .....	LM12749/LM12710	1976-1973	8.70" Ring Gear WER Axle:	
1963-1962	All:			Seal .....	18136
	Seal .....	19221		Bearing (Front) .....	BR52
	Bearing (Inner) .....	BR6		(Set Components) .....	M88048/M88010
	(Set Components) .....	LM67048/LM67010		Bearing (Rear) .....	M802048/M802011
	Bearing (Outer) .....	BR2	1976-1973	9.00" Ring Gear:	
	(Set Components) .....	LM11949/LM11910		Seal .....	18833
<b>Wheel Rear</b>				(Speedi-Sleeve) .....	99181
1976-1974	9.00" Ring Gear w/Tapered Brg.:			Bearing .....	[2] BR52
	Seal .....	18881		(Set Components) .....	M88048/M88010
	Bearing .....	BR20		Bearing (Pilot) .....	R1535-TAV
			(Continued)		

Mercury (RWD) Meteor, S-33 -- (Cont.)

MFG./YEAR	MODEL & LOCATION	PART NO.
<b>Pinion (Cont.)</b>		
1963-1962 All:		
Seal		18100
(Speedi-Sleeve)		99181
Bearing	[2] M86649/M86610	
Bearing (Pilot)		R1558-TAV
1959-1958 All:		
Seal		18833
(Speedi-Sleeve)		99181
<b>Differential</b>		
1976-1973 All:		
Bearing	[2] BR50	
(Set Components)		LM102949/LM102910
1963-1962 All:		
Bearing	[2] BR35	
(Set Components)		LM501349/LM501310
<b>Clutch</b>		
<b>Release</b>		
1963-1962 6 Cyl. Eng.:		
Bearing Only		N1054
Bearing Assembly		N1461
1963-1962 8 Cyl. Eng.:		
Bearing Assembly		N1444
(Self-Aligning)		N1444-SA
(Heavy Duty)		N1439
<b>Transmission-Automatic</b>		
<b>Front Pump</b>		
1976-1973 All:		
Seal		19807
(Speedi-Sleeve)		99199
(Speedi-Sleeve/Seal Kit)		480198
1963-1962 6 Cyl. Eng.:		
Seal		10515
(Speedi-Sleeve)		99106
1963-1962 8 Cyl. Eng.:		
Seal		11123
(Speedi-Sleeve)		99112
<b>Rear</b>		
1976-1973 All:		
Seal		16725
Seal & Bushing Kit		16727
(Speedi-Sleeve)		99168
(Speedi-Sleeve/Seal Kit)		480168
1963-1962 All:		
Seal (w/o Boot)		15005
(Speedi-Sleeve) (w/o Boot)		99149
(Speedi-Sleeve)/Seal Kit (w/o Boot)		480152
Seal (w/Boot)		14978
(Speedi-Sleeve) (w/Boot)		99149
(Speedi-Sleeve)/Seal Kit (w/Boot)		480148
Seal & Bushing Kit		14982
<b>Shift Shaft</b>		
1976-1973 All:		
Seal		7556
(Speedi-Sleeve)		99076
<b>Transmission-Manual</b>		
<b>Countershaft</b>		
1963	3 Spd. Trans. w/6 Cyl. Eng.:	
Bearing	[40] C407-Q	
1963	3 Spd. Trans. w/8 Cyl. Eng. Exc. O/D:	
Bearing	[50] C1086-Q	

Transmission-Manual (Cont.)

MFG./YEAR	MODEL & LOCATION	PART NO.
<b>Countershaft (Cont.)</b>		
1963-1962	3 Spd. Trans. w/8 Cyl. Eng. & O/D:	
Bearing	[44] C407-Q	
<b>Front</b>		
1963	3 Spd. Trans. w/221 (3.6L) Eng. Exc. O/D:	
Seal		11123
(Speedi-Sleeve)		99112
Bearing	■ 6207-NRJ	
1963	3 Spd. Trans. w/221 (3.6L) Eng. & O/D From 11/4/62:	
Seal		11123
(Speedi-Sleeve)		99112
Bearing	■ 6207-NRJ	
1963	3 Spd. Trans. w/221 (3.6L) Eng. & O/D Thru 11/3/62:	
Seal		11123
(Speedi-Sleeve)		99112
Bearing	■ 6208-ZNRJ	
1963	3 Spd. Trans w/260 (4.3L) Eng.:	
Seal		11123
(Speedi-Sleeve)		99112
Bearing	■ 6208-NRJ	
1963	4 Spd. Trans.:	
Bearing		6307-NRJ
1963-1962	3 Spd. Trans. w/6 Cyl. Eng.:	
Seal		10515
(Speedi-Sleeve)		99106
Bearing	■ 6207-NRJ	
1962	3 Spd. Trans. w/8 Cyl. Eng.:	
Seal		11123
(Speedi-Sleeve)		99112
Bearing	■ 6207-NRJ	
<b>Mainshaft Pilot</b>		
1963-1962	3 Spd. Trans. w/6 Cyl. Eng.:	
Bearing	[13] C1110-Q	
1963-1962	3 Spd. Trans. w/8 Cyl. Eng.:	
Bearing	[15] QBR23549	
<b>Rear</b>		
1963	3 Spd. Trans. Exc. 170 (2.8L) Eng.:	
Bearing	■ 6207-NRJ	
1963	3 Spd. Trans. w/170 (2.8L) Eng.:	
Bearing		6206-NRJ
1963	4 Spd. Trans.:	
Bearing		6307-NRJ
1962	3 Spd. Trans. Exc. 8 Cyl. Eng. w/O/D:	
Bearing		6206-NRJ
1962	3 Spd. Trans. w/8 Cyl. Eng. & O/D:	
Bearing	■ 6207-NRJ	
<b>Air Conditioning Clutch</b>		
1976-1975 All:		
Bearing		5908-VAW
1974-1973 All:		
Bearing		5106-WCC
1963-1962 All:		
Bearing		5106-WCC
<b>Alternator</b>		
1976-1973 All:		
Bearing (Front)		6203-2RSJ
Bearing (Rear)		MNJ471-S
		(Continued)

# Passenger cars, light & medium trucks

## (Cont.) -- Mercury (RWD) Meteor, S-33

MFG./YEAR	MODEL & LOCATION	PART NO.	MFG./YEAR	MODEL & LOCATION	PART NO.
<b>Engine</b>			<b>Generator</b>		
<b>Crankshaft-Rear</b>			1963-1962 w/o H.D.:		
1976-1973	351 (5.8L) & 400 (6.6L) Engs.:		Bearing (Front)		6203-2RSJ
	Seal (Rope)	196	Bearing (Rear)		6200-2RSJ
	Seal (Rubber)	211	1963-1962 H.D.:		
1976-1973	429 (7.0L) & 460 (7.5L) Engs.:		Bearing (Front)		6204-2RSJ
	Seal (Rope)	196	Bearing (Rear)		6200-2RSJ
	Seal (Rubber)	201	<b>Steering-Power</b>		
1963-1962	6 Cyl. Eng.:		<b>Pitman Shaft</b>		
	Seal (Rope)	196	1963-1962 All:		
	Seal (Rubber)	204	Seal		
1963-1962	8 Cyl. Eng.:		11081		
	Seal (Rope)	196	<b>Pump Shaft</b>		
	Seal (Rubber)	205	1976-1973 Ford Pump:		
<b>Timing Cover</b>			Seal		
1976-1973	351 (5.8L), 429 (6.9L) & 460 (7.5L) Engs.:		6765		
	Seal (Viton)	18546	1976-1973 Saginaw Pump:		
	Seal	18562	Seal		
	(Speedi-Sleeve)	99187	7475		
	(Speedi-Sleeve/Seal Kit)	480186	1963-1962 All:		
1976-1973	351 C (5.8L) & 400 (6.6L) Engs.:		Seal		
	Seal (Viton)	18544	7465		
	Seal	18548	<b>Worm Shaft</b>		
	(Speedi-Sleeve)	99187	1976-1975 All:		
	(Speedi-Sleeve/Seal Kit)	480185	Seal		
1963-1962	144 (2.4L) & 170 (2.8L) Engs.:		8178		
	Seal	17271	<b>Steering-Standard</b>		
	(Speedi-Sleeve)	99174	<b>Housing</b>		
1963-1962	221 (3.6L) & 260 (4.3L) Engs.:		1963-1962 All:		
	Seal (Viton)	18546	Seal		
	Seal	18562	11081		
	(Speedi-Sleeve)	99187			
	(Speedi-Sleeve/Seal Kit)	480186			

## Mercury (RWD) Montego (thru 1976), MX

### Wheel Front

1976-1974	All:	
	Seal	19221
	Bearing (Inner)	BR11
	(Set Components)	JL69349/JL69310
	Bearing (Outer)	BR12
	(Set Components)	LM12749/LM12710
1973-1970	All:	
	Seal	19221
	Bearing (Inner)	BR13
	(Set Components)	L68149/L68110
	Bearing (Outer)	BR12
	(Set Components)	LM12749/LM12710
1969-1968	Disc Brks.:	
	Seal	19221
	Bearing (Inner)	BR6
	(Set Components)	LM67048/LM67010
	Bearing (Outer)	BR2
	(Set Components)	LM11949/LM11910
1969-1968	Drum Brks.:	
	Seal	19221
	Bearing (Inner)	BR6
	(Set Components)	LM67048/LM67010
	Bearing (Outer)	BR2
	(Set Components)	LM11949/LM11910

### Wheel Rear

1976	Ball Brg.:	
	Seal	15142
	Bearing w/Lock Ring	88128-RA
1976-1974	Roller Brg.:	
	Seal	18881
	Bearing	BR20
1974-1973	Ball Brg.:	
	Seal	15142
	Bearing w/Lock Ring	88128-RB
1972-1969	1.375" Sh. w/28 Splined Axle:	
	Seal	13700
	Sealed Bearing w/Lock Ring	RW207-CCRA
1972-1969	1.5" Sh. w/31 Splined Axle:	
	Seal	14968
	Sealed Bearing w/Lock Ring	RW207-CCRA
1968	w/o 427 (7.0L) Eng. & WEZ Axle:	
	Seal	13738
	Sealed Bearing w/Lock Ring	RW207-CCRA
1968	WEZ Axle:	
	Seal	13700
	Sealed Bearing w/Lock Ring	RW207-CCRA
1968	427 (7.0L) Eng.:	
	Seal	14968
	Sealed Bearing w/Lock Ring	RW207-CCRA

(Continued)

Mercury (RWD) Montego (thru 1976), MX -- (Cont.)

MFG./YEAR	MODEL & LOCATION	PART NO.	MFG./YEAR	MODEL & LOCATION	PART NO.
<b>Pinion</b>			<b>Transmission-Automatic</b>		
<b>1976-1968 9.00" Ring Gear w/o H.D. Axles:</b>			<b>Front</b>		
	Seal	18833	<b>1976-1968 All:</b>		
	(Speedi-Sleeve)	99181	Seal		19807
	Bearing	[2] BR52	(Speedi-Sleeve)		99199
	(Set Components)	M88048/M88010	(Speedi-Sleeve/Seal Kit)		480198
	Bearing (Pilot)	R1535-TAV	<b>Rear</b>		
<b>1975-1968 9.00" Ring Gear w/H.D. Axles:</b>			<b>1976-1968 w/o C4 Trans.:</b>		
	Seal	18833	Seal		16725
	(Speedi-Sleeve)	99181	(Speedi-Sleeve)		99168
	Bearing (Front)	BR52	(Speedi-Sleeve/Seal Kit)		480168
	(Set Components)	M88048/M88010	Seal & Bushing Kit		16727
	Bearing (Rear)	HM89443/HM89410	<b>1976-1968 C4 Trans.:</b>		
	Bearing (Pilot)	R1535-TAV	Seal		14978
<b>1974-1968 7.75" &amp; 8.00" Ring Gears:</b>			(Speedi-Sleeve)		99149
	Seal	18100	(Speedi-Sleeve/Seal Kit)		480148
	(Speedi-Sleeve)	99181	Seal & Bushing Kit		14982
	Bearing	[2] M86649/M86610	<b>Shift Shaft</b>		
	Bearing (Pilot)	R1558-TAV	<b>1976-1968 All:</b>		
<b>1968 7.50" Ring Gear:</b>			Seal		7556
	Seal	18100	(Speedi-Sleeve)		99076
	(Speedi-Sleeve)	99181	<b>Transmission-Manual</b>		
	Bearing (Front)	M86649/M86610	<b>Countershaft</b>		
	Bearing (Rear)	HM89446/HM89410	<b>1976-1968 3 Spd. Trans.:</b>		
<b>Differential</b>			Bearing		[50] C1086-Q
<b>1976-1970 9.00" Ring Gear From 5/13/70:</b>			<b>1973-1970 4 Spd. Trans.:</b>		
	Bearing	[2] BR50	Bearing		[42] QAR33724
	(Set Components)	LM102949/LM102910	<b>Front</b>		
<b>1974-1968 7.75" &amp; 8.00" Ring Gears:</b>			<b>1976-1968 8 Cyl. Eng.:</b>		
	Bearing	[2] BR35	Seal		11123
	(Set Components)	LM501349/LM501310	(Speedi-Sleeve)		99112
<b>1970-1968 9.00" Ring Gear Thru 5/12/70:</b>			Bearing		■ 6208-NJ
	Bearing	[2] BR37	<b>1974-1968 3 Spd. Trans. w/6 Cyl. Eng. Exc. HED Trans.:</b>		
	(Set Components)	LM603049/LM603011	Seal		11123
<b>1968 7.50" Ring Gear:</b>			(Speedi-Sleeve)		99112
	Bearing	[2] LM29749/LM29710	Bearing		■ 6208-NJ
<b>Kit</b>			<b>1973-1968 4 Spd. Trans. Exc. H.D.:</b>		
<b>1976-1970 9.00" 31 spline STSP 5/11/1970 Ring Gear:</b>			Seal		11123
	Standard Seal and Bearing Kit Rear	SDK313	(Speedi-Sleeve)		99112
<b>1970-1968 9.00" 28 spline ENSP 5/10/70 Ring Gear:</b>			Bearing		6209-NRJ
	Standard Seal and Bearing Kit Rear	SDK312	<b>1971-1968 4 Spd. RUG-AK &amp; AL H.D. Trans. w/428 (7.0L) &amp; 429 (7.0L) Eng.:</b>		
<b>Clutch</b>			Seal		13534
<b>Pilot</b>			(Speedi-Sleeve)		99138
<b>1976-1974 From 5/1/74:</b>			Bearing		6209-NRJ
	Bearing	B65174	<b>Mainshaft Pilot</b>		
<b>1974-1973 Thru 5/1/74:</b>			<b>1976-1968 3 Spd. Trans.:</b>		
	Bearing	6206-2RSJ	Bearing		[15] QBR23549
<b>Release</b>			<b>1973-1968 4 Spd. Ford Trans.:</b>		
<b>1974-1973 All:</b>			Bearing		[15] QBR23549
	Bearing Assembly	N1444	<b>Rear</b>		
	(Self-Aligning)	N1444-SA	<b>1976-1968 3 Spd. Trans.:</b>		
	(Heavy Duty)	N1439	Seal		14978
<b>1971-1968 8 Cyl. Exc. 427 (7.0L), 428 (7.0L) &amp; 429 (7.0L) Eng.:</b>			(Speedi-Sleeve)		99149
	Bearing Assembly	N1444	(Speedi-Sleeve/Seal Kit)		480148
	(Self-Aligning)	N1444-SA	Bearing		■ 6207-NRJ
<b>1971-1968 427 (7.0L), 428 (7.0L) &amp; 429 (7.0L) Eng.:</b>			<b>1973-1968 4 Spd. RUG-BF &amp; BJ Trans.:</b>		
	Bearing Only	N1087	Seal		14978
	Bearing Assembly	N1493	(Speedi-Sleeve)		99149
<b>1971-1968 6 Cyl. Exc. H.D.:</b>			(Speedi-Sleeve/Seal Kit)		480148
	Bearing Assembly	N1444	Bearing		6307-NRJ
	(Self-Aligning)	N1444-SA	(Continued)		

# Passenger cars, light & medium trucks

## (Cont.) -- Mercury (RWD) Montego (thru 1976), MX

MFG./YEAR	MODEL & LOCATION	PART NO.	MFG./YEAR	MODEL & LOCATION	PART NO.
<b>Transmission-Manual (Cont.)</b>			<b>Engine (Cont.)</b>		
<b>Rear (Cont.)</b>			<b>Timing Cover (Cont.)</b>		
1973-1968 4 Spd. RUG-BG Trans.:			1976-1968 289 (4.7L), 302 (5.0L), 429 (7.0L) & 460 (7.5L) Engs.:		
	Seal .....	16871		Seal (Viton) .....	18546
	(Speedi-Sleeve) .....	99168		Seal .....	18562
	Bearing .....	6307-NRJ		(Speedi-Sleeve) .....	99187
<b>Reverse Idler</b>				(Speedi-Sleeve/Seal Kit) .....	480186
1973-1968 4 Spd. Trans.:			1974-1969 250 (4.1L) Eng.:		
	Bearing .....	[44] C407-Q		Seal (Viton) .....	18546
<b>Air Conditioning Clutch</b>				Seal .....	18562
1974-1968 All:				(Speedi-Sleeve) .....	99187
	Bearing .....	5106-WCC		(Speedi-Sleeve/Seal Kit) .....	480186
<b>Alternator</b>			1970-1968 390 (6.4L), 400 (6.6L), 427 (7.0L) & 428 (7.0L) Engs.:		
1976-1968 All:				Seal (Viton) .....	18544
	Bearing (Front) .....	6203-2RSJ		Seal .....	18548
	Bearing (Rear) .....	MNJ471-S		(Speedi-Sleeve) .....	99187
<b>Engine</b>				(Speedi-Sleeve/Seal Kit) .....	480185
<b>Crankshaft-Rear</b>			1968 200 Eng.:		
1976-1969 351 (5.8L) & 400 (6.6L) Engs.:				Seal .....	17271
	Seal (Rope) .....	196		(Speedi-Sleeve) .....	99174
	Seal (Rubber) .....	211	<b>Steering-Power</b>		
1976-1969 429 (7.0L) & 460 (7.5L) Engs.:			<b>Pitman Shaft</b>		
	Seal (Rope) .....	196	1975-1973 Saginaw Gear:		
	Seal (Rubber) .....	201		Seal (Inner) .....	12371
1974-1968 250 (4.1L) & 302 (5.0L) Engs.:				Seal (Outer) .....	12355
	Seal (Rope) .....	196		Seal Kit .....	12392
	Seal (Rubber) .....	205	<b>Pump Shaft</b>		
1970-1969 390 (6.4L) & 429 (7.0L) Engs.:			1976-1968 All:		
	Seal (Rope) .....	196		Seal .....	6765
1968 200 (3.3L) Eng.:			<b>Worm Shaft</b>		
	Seal (Rope) .....	196	1976-1975 Ford Gear:		
	Seal (Rubber) .....	204		Seal .....	8178
<b>Timing Cover</b>			1975-1973 Saginaw Gear:		
1976-1973 390 (6.4L), 400 (6.6L), 427 (7.0L) & 428 (7.0L) Engs.:				Seal .....	8648
	Seal (Viton) .....	18544	<b>Steering-Standard</b>		
	Seal .....	18548	<b>Pitman Shaft</b>		
	(Speedi-Sleeve) .....	99187	1975-1968 All:		
	(Speedi-Sleeve/Seal Kit) .....	480185		Seal .....	11081
1976-1971 351 C & M (5.8L) Engs.:					
	Seal (Viton) .....	18544			
	Seal .....	18548			
	(Speedi-Sleeve) .....	99187			
	(Speedi-Sleeve/Seal Kit) .....	480185			
1976-1970 351 W (5.8L) Eng.:					
	Seal (Viton) .....	18546			
	Seal .....	18562			
	(Speedi-Sleeve) .....	99187			
	(Speedi-Sleeve/Seal Kit) .....	480186			

## Merkur Scorpio, XR4Ti

### Wheel Front

1989-1988 Scorpio:	
Seal .....	20905
Bearing .....	[2] FW139
1989-1985 XR4Ti:	
Seal .....	19647
Bearing .....	[2] BR24

### Wheel Rear

1989-1988 Scorpio:	
Seal (Inner) .....	16523
Seal (Outer) .....	22032
Sealed Bearing .....	[2] FW141
1989-1985 XR4Ti:	
Seal (Inner) .....	16518
Seal (Outer) .....	19647
Bearing .....	[2] BR24

(Continued)

**Merkur Scorpio, XR4Ti -- (Cont.)**

MFG./YEAR	MODEL & LOCATION	PART NO.	MFG./YEAR	MODEL & LOCATION	PART NO.
<b>Pinion</b>			<b>Engine</b>		
1989-1985	All:		<b>Auxiliary Shaft</b>		
	Seal	15882	1989-1985	140 (2.3L) Eng.:	
	(Speedi-Sleeve)	99157		Seal (Viton)	17107
	Bearing (Front)	HM88542/HM88510		Seal	17106
	Bearing (Rear)	HM89449/HM89410	<b>Camshaft</b>		
<b>Clutch</b>			1989-1985	140 (2.3L) Eng.:	
<b>Pilot</b>				Seal (Viton)	17107
1989-1985	All:			Seal	17106
	Bearing	FC65354	<b>Crankshaft-Rear</b>		
<b>Release</b>			1989-1988	170 (2.9L) Eng.:	
1989-1988	Scorpio:			Seal	23641
	Bearing Assembly	N3022		(Speedi-Sleeve)	99237
1989-1985	XR4Ti:		1989-1985	140 (2.3L) Eng.:	
	Bearing Assembly	N1714		Seal	36147
	(Self-Aligning)	N1714-SA		(Speedi-Sleeve)	99362
<b>Transmission-Automatic</b>			<b>Timing Belt Tensioner</b>		
<b>Front Pump</b>			1989-1985	140 (2.3L) Eng.:	
1989-1985	All:			Bearing & Housing Assy.	VKM54001
	Seal	16225	<b>Timing Belt and Tensioner Kit</b>		
<b>Rear</b>			1989-1985	140 (2.3L) Eng. w/Square Tooth Sprocket:	
1989-1985	All:			Belt & Tensioner Kit	VKMA44001
	Seal	13685	<b>Timing Cover</b>		
	(Speedi-Sleeve)	99138	1989-1988	179 (2.9L) Eng.:	
<b>Shift Shaft</b>				Seal	16473
1989-1985	All:		1989-1985	140 (2.3L) Eng.:	
	Seal	7556		Seal (Viton)	17107
	(Speedi-Sleeve)	99076		Seal	17106
<b>Transmission-Manual</b>			<b>Steering-Power</b>		
<b>Countershaft</b>			<b>Pump Shaft</b>		
1989-1988	Scorpio:		1989-1985	XR4Ti:	
	Bearing (Front)	[21] C407-Q		Seal	6765
1986-1985	XR4Ti:		<b>Wheel Front</b>		
	Bearing (Front)	C407-Q	1968-1957	1500 Series (HD6, HE6) w/Ball Brg.:	
<b>Front</b>				Seal	13649
1989-1985	5 Spd. German Trans.:			Bearing (Inner)	7205-J
	Seal	10930		Bearing (Outer)	7303-BY
	(Speedi-Sleeve)	99111	1968-1957	1500 Series (HD6, HE6) w/Roller Brg.:	
<b>Rear</b>				Seal	13649
1989-1985	5 Spd. German Trans.:			Bearing (Inner)	BR30205
	Seal	13527		Bearing (Outer)	BR30303
	(Speedi-Sleeve)	99138	<b>Wheel Rear</b>		
<b>Alternator</b>			1968-1957	1500 Series (HD6, HE6):	
1989-1988	Scorpio:			Seal	17386
	Bearing (Front)	6203-ZJ	(Continued)		
	Bearing (Rear)	6201-ZJ			
1989-1985	XR4Ti:				
	Bearing (Front)	6203-2RSJ			

**Metropolitan**

<b>Wheel Front</b>			<b>Wheel Rear</b>		
1968-1957	1500 Series (HD6, HE6) w/Ball Brg.:		1968-1957	1500 Series (HD6, HE6):	
	Seal	13649		Seal	17386
	Bearing (Inner)	7205-J	(Continued)		
	Bearing (Outer)	7303-BY			
1968-1957	1500 Series (HD6, HE6) w/Roller Brg.:				
	Seal	13649			
	Bearing (Inner)	BR30205			
	Bearing (Outer)	BR30303			

MFG./YEAR	MODEL & LOCATION	PART NO.	MFG./YEAR	MODEL & LOCATION	PART NO.
<b>Pinion</b>			<b>Steering-Standard</b>		
1962-1956	540 Series:		<b>Idler Body</b>		
	Bearing (Front) .....	BR15100/15250-X	1968-1957	1500 Series (HD6, HE6):	
<b>Transmission-Manual</b>				Seal .....	8648
<b>Rear</b>			<b>Rocker Shaft</b>		
1968-1957	1500 Series (HD6, HE6):		1968-1957	1500 Series (HD6, HE6):	
	Seal .....	550095		Seal .....	8648
	(Speedi-Sleeve) .....	99138			

**MG**

<b>Wheel Front</b>		
1980-1973	MGB w/Banjo Type Axle:	
	Seal .....	18962
	Bearing (Inner) .....	BR6
	(Set Components) .....	LM67048/LM67010
	Bearing (Outer) .....	BR2
	(Set Components) .....	LM11949/LM11910
1979-1961	Midget w/Ball Brg.:	
	Seal .....	13649
	Bearing (Inner) .....	7205-J
	Bearing (Outer) .....	7303-BY
1979-1961	Midget w/Roller Brg.:	
	Seal .....	13649
	Bearing (Inner) .....	BR30205
	Bearing (Outer) .....	BR30303
1973-1961	MGB & MGB-GT:	
	Seal .....	18962
	Bearing (Inner) .....	BR6
	(Set Components) .....	LM67048/LM67010
	Bearing (Outer) .....	BR2
	(Set Components) .....	LM11949/LM11910
	Bearing Kit .....	WKH782
1971-1967	MGC & MGC-GT:	
	Seal .....	18962
1968-1962	MG 1100:	
	Seal (Outer) .....	18962
1968-1959	Magnette MKIII & IV:	
	Seal .....	550085
1967-1957	Magnette w/Disc Brks.:	
	Bearing (Inner) .....	BR6
	(Set Components) .....	LM67048/LM67010
	Bearing (Outer) .....	BR2
	(Set Components) .....	LM11949/LM11910
1962-1961	MGA:	
	Seal .....	19264
	Bearing (Inner) .....	BR6
	(Set Components) .....	LM67048/LM67010
	Bearing (Outer) .....	BR2
	(Set Components) .....	LM11949/LM11910
<b>Wheel Rear</b>		
1980-1963	MGB & MGB-GT w/Banjo Type Axle:	
	Seal .....	16719
	Bearing .....	6RW118
1979-1961	Midget:	
	Seal .....	17386
	Bearing .....	6207-J
1976-1965	MGB & MGB-GT w/Tube Type Axle:	
	Seal .....	16719
1971-1967	MGC & MGC-GT:	
	Seal .....	16719

<b>Wheel Rear (Cont.)</b>		
1971-1959	Magnette MKIII & IV:	
	Seal .....	19264
1968-1962	MG 1100:	
	Seal .....	18962
1962-1961	MGA:	
	Seal .....	19264
<b>Pinion</b>		
1980-1969	MGB & MGB-GT:	
	Seal .....	17184
	Bearing (Front) .....	BR52
	(Set Components) .....	M88048/M88010
1980-1965	Midget 1500 & Midget MKI, II & III:	
	Bearing (Front) .....	M84548/M84510
	Bearing (Rear) .....	M88043/M88010
1979-1961	Midget:	
	Seal .....	15142
	(Speedi-Sleeve) .....	99149
	(Speedi-Sleeve/Seal Kit) .....	480151
1971-1967	MGC & MGC-GT:	
	Seal .....	15142
	(Speedi-Sleeve) .....	99149
	(Speedi-Sleeve/Seal Kit) .....	480151
	Bearing (Front) .....	BR52
	(Set Components) .....	M88048/M88010
1968-1963	MGB & MGB-GT:	
	Bearing (Front) .....	15100-S/15250-X
	Bearing (Rear) .....	3188-S/BR3120
1968-1962	MGA:	
	Seal .....	15142
	(Speedi-Sleeve) .....	99149
	(Speedi-Sleeve/Seal Kit) .....	480151
1968-1959	Magnette MKIII & IV:	
	Seal .....	15142
	(Speedi-Sleeve) .....	99149
	(Speedi-Sleeve/Seal Kit) .....	480151
1967	MGB & MGB-GT:	
	Seal .....	17184
1966-1963	MGB & MGB-GT:	
	Seal .....	15142
	(Speedi-Sleeve) .....	99149
	(Speedi-Sleeve/Seal Kit) .....	480151
<b>Differential</b>		
1980-1968	MGB & MGB-GT:	
	Bearing .....	BR36
	(Set Components) .....	LM603049/LM603012
1971-1967	MGC & MGC-GT:	
	Bearing .....	BR36
	(Set Components) .....	LM603049/LM603012

(Continued)

**MG -- (Cont.)**

MFG./YEAR	MODEL & LOCATION	PART NO.	MFG./YEAR	MODEL & LOCATION	PART NO.
<b>Clutch</b>			<b>Drive Shaft</b>		
<b>Release</b>			1956-1954 Midget TD Series:		
1980-1975 Midget 1500:			Bearing ..... 6205-J		
Bearing Only ..... N3042			<b>Engine</b>		
<b>Transmission-Manual</b>			<b>Timing Cover</b>		
<b>Front</b>			1979-1975 Exc. Midget 1100:		
1980-1977 MGB:			Seal ..... 19992		
Seal ..... 9997			(Speedi-Sleeve) ..... 99199		
(Speedi-Sleeve) ..... 99100			1969-1967 MGC & MGC-GT:		
1979-1975 Midget:			Seal ..... 19220		
Seal ..... 10515			(Speedi-Sleeve) ..... 99193		
(Speedi-Sleeve) ..... 99106			<b>Generator</b>		
<b>Rear</b>			1975-1963 MGB & MGB-GT:		
1980-1977 MGB w/O/D:			Bearing ..... 6202-J		
Seal ..... 16719			1975-1961 Midget 1500 & Midget MKI, II & III:		
(Speedi-Sleeve) ..... 99168			Bearing ..... 6202-J		
1979-1975 Midget:			1971-1959 Magnette MKII, III & IV:		
Seal ..... 13569			Bearing ..... 6202-J		
(Speedi-Sleeve) ..... 99138					
1975-1967 MGB & MGB-GT w/O/D:					
Bearing (Tailcase Outer) ..... 6206-J					

**Mitsubishi Passenger (FWD)**

<b>Wheel Front</b>			<b>Wheel Front (Cont.)</b>		
1995 Eclipse:			1987-1985 Galant & Galant Sigma:		
Hub Assembly ..... BR930214			Seal (Inner) ..... 19677		
1995-1992 Mirage From 6/92:			Seal (Outer) ..... 20463		
Seal (Inner) ..... 21248			Bearing ..... ■ FW101		
Seal (Outer) ..... 20431			<b>Axle Shaft</b>		
Bearing ..... FW170			1994-1990 Eclipse GSX & Galant:		
1995-1991 3000GT w/A.W.D.:			Seal ..... 16546		
Hub Assembly ..... BR930354			1990-1988 Galant Sigma:		
1995-1991 3000GT w/F.W.D.:			Seal ..... 16546		
Seal (Inner) ..... 23458			<b>Wheel Rear</b>		
Seal (Outer) ..... 22821			1995-1992 Mirage w/o ABS From 6/92:		
Sealed Bearing ..... GRW218			Hub Assembly ..... BR930271		
1995-1994 Galant:			1995 Eclipse w/o A.W.D.:		
Hub Assembly ..... BR930240			Hub Assembly ..... BR930172		
1995-1991 Diamante Sed., 3000GT w/ABS w/o 4 W/D & 4 W/S:			1995 Eclipse w/A.W.D.:		
Seal (Inner) ..... 23458			Sealed Bearing w/Housing ..... GRW176		
Seal (Outer) ..... 22821			1995-1991 3000GT:		
Sealed Bearing ..... GRW218			Hub Assembly ..... BR930170		
1995-1993 Diamante Wgn.:			1995-1992 Mirage w/ABS From 6/92:		
Seal (Inner) ..... 23458			Hub Assembly ..... BR930059		
Seal (Outer) ..... 22821			1995-1994 Galant:		
Sealed Bearing ..... GRW218			Hub Assembly ..... BR930210		
1994 Eclipse:			1995-1992 Diamante w/o ABS:		
Seal (Inner) ..... 21281			Hub Assembly ..... BR930038		
Seal (Outer) ..... 20463			1995-1992 Diamante w/ABS:		
Bearing ..... ■ FW101			Hub Assembly ..... BR930037		
1994-1983 Cordia, Precis & Tredia:			1994-1990 Eclipse w/o ABS & A.W.D.:		
Seal ..... 19612			Hub Assembly ..... BR930038		
Bearing ..... [2] BR41			1994-1990 Eclipse w/ABS w/o A.W.D.:		
1993-1988 Eclipse, Galant & Galant Sigma:			Hub Assembly ..... BR930037		
Seal (Inner) ..... 21281			1994-1990 Eclipse w/A.W.D.:		
Seal (Outer) ..... 20463			Seal ..... 14054		
Bearing ..... ■ FW101			Sealed Bearing (Inner) ..... GRW163		
1992-1985 Mirage Thru 5/92:			Sealed Bearing (Outer) ..... GRW165		
Seal ..... 19612			(Continued)		
Bearing ..... [2] BR41					



# Passenger cars, light & medium trucks

## (Cont.) -- Mitsubishi Passenger (FWD)

MFG./YEAR	MODEL & LOCATION	PART NO.	MFG./YEAR	MODEL & LOCATION	PART NO.
<b>Wheel Rear (Cont.)</b>			<b>Pinion (Cont.)</b>		
1993-1989 <b>Precis From 5/89:</b>			1995-1991 <b>3000GT w/A.W.D. &amp; 4 W/S:</b>		
	Seal .....	15363		Seal .....	16553
	Bearing .....	[2] GRW153		(Speedi-Sleeve) .....	99169
1993-1989 <b>Galant w/o 4 W/D, 4 W/S &amp; Disc Brks.:</b>				Bearing (Front) .....	M88043/M88010
	Seal .....	14709		Bearing (Rear) .....	HM89448/HM89410
	Bearing (Inner) .....	BR4	1993-1990 <b>Eclipse GSX &amp; Galant VR-4:</b>		
	(Set Components) .....	L44649/L44610		Bearing (Front) .....	30305-C
	Bearing (Outer) .....	BR1		Bearing (Rear) .....	BR32207
	(Set Components) .....	LM11749/LM11710	<b>Differential</b>		
1993-1989 <b>Galant w/Disc Brks.:</b>			<b>Rear Axle</b>		
	Hub Assembly .....	BR930238	1995-1991 <b>3000GT w/A.W.D. &amp; 4 W/S:</b>		
1992-1990 <b>Galant w/4 W/D &amp; 4 W/S:</b>				Seal .....	17193
	Seal .....	14054	1995-1990 <b>Eclipse GSX w/A.W.D.:</b>		
	Sealed Bearing (Inner) .....	GRW163		Bearing .....	BR30207
	Sealed Bearing (Outer) .....	GRW165	1992-1990 <b>Galant w/4 W/D &amp; 4 W/S:</b>		
1992-1990 <b>Mirage w/Drum Brks. From 5/90 Thru 5/92:</b>				Seal .....	14006
	Hub Assembly .....	BR930017		(Speedi-Sleeve) .....	99139
1990-1989 <b>Mirage w/1.5L Eng. &amp; Drum Brks. From 6/89 Thru 4/90:</b>				Bearing .....	BR30207
	Seal .....	15298	<b>Clutch</b>		
	Bearing .....	[2] GRW152	<b>Release</b>		
1990-1988 <b>Galant Sigma:</b>			1995-1994 <b>Eclipse w/o Turbo:</b>		
	Seal .....	17736		Bearing Assembly .....	N4166
	Bearing (Inner) .....	BR6	1995-1994 <b>Eclipse w/Turbo:</b>		
	(Set Components) .....	LM67048/LM67010		Bearing Assembly .....	N3067
	Bearing (Outer) .....	BR2	1995-1991 <b>3000GT w/F.W.D.; Galant &amp; Mirage:</b>		
	(Set Components) .....	LM11949/LM11910		Bearing Assembly .....	N3067
1989-1988 <b>Mirage w/Disc Brks. From 4/88 Thru 5/89 &amp; 1.6L Turbo Eng.:</b>				Bearing Assembly .....	N3652
	Seal .....	15298	1994-1992 <b>Precis From 10/92:</b>		
	Bearing .....	[2] GRW153		Bearing Assembly .....	N3067
1989-1987 <b>Precis Thru 4/89:</b>			1993-1991 <b>Eclipse:</b>		
	Seal .....	14709		Bearing Assembly .....	N3067
	Bearing (Inner) .....	BR4	1992-1991 <b>Precis Thru 9/92:</b>		
	(Set Components) .....	L44649/L44610		Bearing Assembly .....	N3067
	Bearing (Outer) .....	BR1	1990-1984 <b>All:</b>		
	(Set Components) .....	LM11749/LM11710		Bearing Assembly .....	N3067
1988-1985 <b>Mirage Thru 3/88:</b>			<b>Transaxle-Automatic</b>		
	Seal .....	15298	<b>Differential</b>		
	Bearing .....	[2] GRW164	1995-1993 <b>Mirage w/1.8L Eng.:</b>		
1988-1983 <b>Cordia, Galant &amp; Tredia:</b>				Bearing .....	6207-J
	Seal .....	14709	1994-1990 <b>Eclipse:</b>		
	Bearing (Inner) .....	BR4		Bearing .....	6207-J
	(Set Components) .....	L44649/L44610	1994-1990 <b>Eclipse GSX w/A.W.D.; Galant w/4 W/D, A.W.D. &amp; Turbo Thru 12/93:</b>		
	Bearing (Outer) .....	BR1		Bearing .....	6207-J
	(Set Components) .....	LM11749/LM11710	1994-1985 <b>Mirage w/1.5L Eng.; Precis:</b>		
<b>Axle Shaft</b>				Bearing .....	6207-J
1993-1991 <b>3000GT w/A.W.D.:</b>			1992-1991 <b>Mirage w/1.6L Eng.:</b>		
	Seal .....	14054		Bearing .....	BR30207
	Sealed Bearing (Inner) .....	GRW163	1992-1989 <b>Galant:</b>		
	Sealed Bearing (Outer) .....	GRW165		Bearing .....	6207-J
<b>Pinion</b>			1988-1984 <b>Cordia, Galant &amp; Tredia:</b>		
<b>Rear Axle</b>				Bearing .....	BR30207
1995-1994 <b>Eclipse:</b>			1983 <b>Cordia &amp; Tredia:</b>		
	Bearing (Front) .....	30305-C		Bearing .....	6207-J
	Bearing (Rear) .....	BR32207	<b>Front Pump</b>		
			1995-1994 <b>Eclipse w/DOHC Eng.:</b>		
				Seal .....	18508
			(Continued)		

## Passenger cars, light & medium trucks

### Mitsubishi Passenger (FWD) -- (Cont.)

MFG./YEAR	MODEL & LOCATION	PART NO.	MFG./YEAR	MODEL & LOCATION	PART NO.
<b>Transaxle-Automatic (Cont.)</b>			<b>Transaxle-Manual (Cont.)</b>		
<b>Front Pump (Cont.)</b>			<b>Input Shaft</b>		
1995-1983	Exc. Eclipse w/DOHC Eng.; Exc. Precis:		1995-1991	Eclipse From 8/91:	
	Seal	16897		Seal	9709
	(Speedi-Sleeve)	99182		(Speedi-Sleeve)	99098
1994-1987	Precis:		1995-1991	3000GT w/A.W.D. & 4 W/S:	
	Seal	16897		Seal	9710
	(Speedi-Sleeve)	99182		(Speedi-Sleeve)	99098
<b>Output Shaft</b>			1995-1990	Exc. Eclipse & Precis; 3000GT w/4 W/S & F.W.D.:	
1995	3000GT:			Seal	9706
	Seal	14787		(Speedi-Sleeve)	99098
1995	Galant:		1994-1992	Precis From 9/92:	
	Seal	14006		Seal	9706
	(Speedi-Sleeve)	99139		(Speedi-Sleeve)	99098
1995	Eclipse GSX w/4 W/D & Turbo:		1992-1990	Precis Thru 8/92:	
	Seal	12736		Seal	9709
	(Speedi-Sleeve)	99128		(Speedi-Sleeve)	99098
1995-1985	Mirage:		1991-1990	Eclipse Thru 8/91:	
	Seal	14006		Seal	9706
	(Speedi-Sleeve)	99139		(Speedi-Sleeve)	99098
1994-1992	Diamante From 6/92:		1989-1986	All:	
	Seal	14787		Seal	9706
1994-1990	Eclipse w/A.W.D. & Galant w/4 W/D w/o Turbo			(Speedi-Sleeve)	99098
	Seal (L.H.)	14028	1985-1983	Cordia, Mirage & Tredia Thru 8/85:	
	Seal (R.H.)	14006		Seal	9705
	(Speedi-Sleeve) (R.H.)	99139		(Speedi-Sleeve)	99098
1994-1989	Precis From 9/88:		<b>Output Shaft</b>		
	Seal	13994	1995	Galant:	
	(Speedi-Sleeve)	99139		Seal	14006
1988-1987	Precis Thru 8/88:			(Speedi-Sleeve)	99139
	Seal	14006	1995	Eclipse GSX w/A.W.D. & Turbo:	
	(Speedi-Sleeve)	99139		Seal	14006
<b>Transaxle-Manual</b>				(Speedi-Sleeve)	99139
<b>Differential</b>			1995	Eclipse w/o Turbo & 4 W/D:	
1995	Eclipse GSX w/Turbo:			Seal	15750
	Bearing (Center L.H.)	LM300849/LM300811		(Speedi-Sleeve)	99157
	Bearing (Center R.H.)	BR56	1995	Eclipse GS-T w/Turbo w/o 4 W/D:	
	Bearing (Side)	[2] 6207-J		Seal	14787
1995	Eclipse w/o Turbo:		1995-1992	3000GT w/F.W.D. From 6/92:	
	Bearing	BR11		Seal	14787
	(Set Components)	JL69349/JL69310	1995-1991	3000GT w/A.W.D. & 4 W/S:	
1995-1993	Mirage w/1.8L Eng.:			Seal (L.H.)	15292
	Bearing	BR30207		(Speedi-Sleeve) (L.H.)	99147
1994-1990	Eclipse w/o Turbo & 4 W/D:			Seal (R.H.)	14506
	Bearing	BR30207	1994-1990	Eclipse & Galant w/o Turbo & 4 W/D; Mirage:	
1994-1990	Eclipse GSX & Galant VR-4:			Seal	14006
	Bearing	6207-J		(Speedi-Sleeve)	99139
1994-1985	Mirage w/1.5L Eng.; Precis:		1994-1990	Eclipse GSX & Galant VR-4:	
	Bearing	6207-J		Seal (L.H.)	14028
1992-1991	Mirage w/1.6L Eng.:			Seal (R.H.)	14006
	Bearing	BR30207		(Speedi-Sleeve) (R.H.)	99139
1992-1989	Galant:		1994-1990	Precis:	
	Bearing	BR30207		Seal	13994
1988-1985	Mirage w/1.6L Eng.:			(Speedi-Sleeve)	99139
	Bearing	BR30207	1992-1991	3000GT w/F.W.D. From 5/92:	
1988-1984	Cordia, Galant & Tredia:			Seal	14006
	Bearing	BR30207		(Speedi-Sleeve)	99139
1983	Cordia & Tredia:		1989-1983	Cordia, Galant, Mirage, Precis & Tredia:	
	Bearing	6207-J		Seal	14006
				(Speedi-Sleeve)	99139

(Continued)

MFG./YEAR	MODEL & LOCATION	PART NO.	MFG./YEAR	MODEL & LOCATION	PART NO.
<b>Transfer Case</b>			<b>Engine (Cont.)</b>		
<b>Input Shaft</b>			<b>Camshaft Rear</b>		
1995-1991	3000GT:		1995-1992	Diamante & Diamante Wgn. w/o DOHC Eng.:	
	Seal .....	13624		Seal .....	17943
	(Speedi-Sleeve) .....	99139	1995-1992	Diamante Exc. Wgn. w/DOHC Eng.:	
1995-1990	Eclipse & Galant w/Auto. Trans. From 6/90:			Seal .....	14496
	Seal .....	11589	<b>Crankshaft-Rear</b>		
1995-1990	Eclipse & Galant w/Man. Trans. From 5/90:		1995	Eclipse w/2.0L Eng. w/o Turbo:	
	Seal .....	11592		Seal .....	35905
	(Speedi-Sleeve) .....	99114	1995	Eclipse w/2.0L Turbo:	
1990-1989	Eclipse & Galant Thru 5/90:			Seal .....	33861
	Seal .....	11592	1995-1994	Galant w/2.4L Eng.:	
	(Speedi-Sleeve) .....	99114		Seal .....	33861
<b>Output Shaft</b>			1995-1993	Mirage w/1.8L Eng.:	
1995-1991	3000GT:			Seal .....	33861
	Seal .....	15829	1995-1991	3.0L DOHC Eng.:	
	(Speedi-Sleeve) .....	99157		Seal .....	36204
1995-1990	Eclipse GSX & Galant VR-4:		1995-1992	Diamante & Diamante Wgn. w/o DOHC Eng.:	
	Seal .....	12736		Seal .....	36204
	(Speedi-Sleeve) .....	99128	1994-1993	Eclipse & Galant w/2.0L Eng.:	
	Bearing .....	32009-X		Seal .....	33861
<b>Alternator</b>			1994-1990	Eclipse w/1.8L Eng.:	
1995-1994	Eclipse & Lancer:			Seal .....	28308
	Bearing (Front) .....	6303-2RSJ		(Speedi-Sleeve) .....	99284
1995-1992	3000GT From 8/92:		1992-1991	1.6L Eng. w/o Turbo:	
	Bearing (Front) .....	AB1		Seal .....	31506
1993-1990	Eclipse w/1.8L Eng.:			(Speedi-Sleeve) .....	99315
	Bearing (Rear) .....	6302-2RSJ	1992-1988	Mirage w/1.5L Eng.:	
1992-1989	Mirage w/1.5L Eng.:			Seal .....	28308
	Bearing (Front) .....	6302-2RSJ		(Speedi-Sleeve) .....	99284
1989-1988	Precis:		1992-1987	Precis w/1.5L Eng.:	
	Bearing (Front) .....	6303-2RSJ		Seal .....	28308
	Bearing (Rear) .....	6201-2RSJ		(Speedi-Sleeve) .....	99284
1988-1987	Galant:		1992-1984	2.0L & 2.3L Eng.:	
	Bearing (Front) .....	6302-2RSJ		Seal .....	31506
1988-1984	Cordia, Mirage & Tredia From 7/84:			(Speedi-Sleeve) .....	99315
	Bearing (Front) .....	6302-2RSJ	1990-1988	Galant Sigma w/3.0L Eng.:	
1986-1985	Galant From 7/84:			Seal .....	36204
	Bearing (Front) .....	6302-2RSJ	1988-1985	1.6L Eng. w/Turbo:	
1984-1983	Cordia, Galant, Mirage & Tredia Thru 6/84:			Seal .....	28308
	Bearing (Rear) .....	6202-2RSJ		(Speedi-Sleeve) .....	99284
<b>Engine</b>			1988-1983	1.8L Eng. Exc. Eclipse:	
<b>Balance Shaft</b>				Seal .....	31506
1988-1983	1.8L & 2.0L Eng.:			(Speedi-Sleeve) .....	99317
	Seal .....	9706	<b>Oil Pump</b>		
	(Speedi-Sleeve) .....	99098	1986-1985	Cordia & Tredia From 5/85:	
<b>Camshaft</b>				Seal .....	7905
1995-1991	3.0L DOHC Eng.:			(Speedi-Sleeve) .....	99078
	Seal .....	11608	1985-1983	Cordia & Tredia Thru 4/85:	
	(Speedi-Sleeve) .....	99114		Seal .....	6611
1995-1983	w/o 3.0L DOHC Eng.:			(Speedi-Sleeve) .....	99068
	Seal .....	13943	<b>Timing Belt Idler</b>		
	(Speedi-Sleeve) .....	99139	1995-1994	Eclipse:	
<b>Camshaft Front</b>				Bearing & Housing Assy. ....	VKM85000
1995-1992	Diamante & Diamante Wgn. w/o DOHC Eng.:		1995-1994	3000GT SL, Spyder & VR4 Series w/3.0L Eng.:	
	Seal .....	13943		Bearing & Housing Assy. ....	VKM75000
	(Speedi-Sleeve) .....	99139	<b>Timing Belt Tensioner</b>		
1995-1992	Diamante Wgn. w/DOHC Eng.:		1995	Eclipse w/4 Cyl. Eng.:	
	Seal .....	11608		Bearing & Housing Assy. ....	VKM75064
	(Speedi-Sleeve) .....	99114	1995	Galant w/4 Cyl. Eng.:	
				Bearing & Housing Assy. ....	VKM75064

(Continued)

Mitsubishi Passenger (FWD) -- (Cont.)

MFG./YEAR	MODEL & LOCATION	PART NO.	MFG./YEAR	MODEL & LOCATION	PART NO.
<b>Engine (Cont.)</b>			<b>Engine (Cont.)</b>		
<b>Timing Belt Tensioner (Cont.)</b>			<b>Timing Cover</b>		
1995	Diamante w/3.0L Eng.:		1995	Eclipse w/2.0L Eng. w/o Turbo:	
	Bearing & Housing Assy. ....	VKM75004		Seal .....	12717
1995-1994	Mirage w/1.8L Eng.:			(Speedi-Sleeve) .....	99128
	Bearing & Housing Assy. ....	VKM75002	1995-1991	3000GT, Diamante & Diamante Wgn.:	
1995-1991	Mirage w/1.5L Eng.:			Seal .....	14671
	Bearing & Housing Assy. ....	VKM75001	1995-1990	Eclipse & Galant w/2.0L Turbo Eng.:	
1994	Galant w/SOHC Eng.:			Seal .....	17629
	Bearing & Housing Assy. ....	VKM75064		(Speedi-Sleeve) .....	99177
1994	Galant w/DOHC Eng.:		1995-1994	Galant w/2.4L Eng.:	
	Bearing & Housing Assy. ....	VKM75613		Seal .....	17154
1994-1990	Eclipse w/2.0L Eng.:		1995-1993	Mirage w/1.8L Eng.:	
	Bearing & Housing Assy. ....	VKM75144		Seal .....	14671
1993-1990	Eclipse w/1.8L Eng.:		1995-1990	Mirage w/1.5L Eng.:	
	Bearing & Housing Assy. (Upper) .....	VKM75119		Seal .....	11671
	Bearing & Housing Assy. (Lower) .....	VKM75108		(Speedi-Sleeve) .....	99114
1992-1989	Galant w/2.0L SOHC Eng.:		1994-1992	Precis From 9/92:	
	Bearing & Housing Assy. ....	VKM75113		Seal .....	11671
1989-1985	Mirage & Precis:			(Speedi-Sleeve) .....	99114
	Bearing & Housing Assy. ....	VKM75100	1994-1990	1.8L Eng. Exc. Mirage From 5/90:	
1988-1987	Cordia & Galant w/Turbo:			Seal .....	17629
	Bearing & Housing Assy. ....	VKM75008		(Speedi-Sleeve) .....	99177
<b>Timing Belt and Tensioner Kit</b>			1992	2.0L Eng. Exc. Eclipse:	
1995	Eclipse w/2.0L DOHC Eng. w/o Turbo:			Seal .....	17629
	Belt & Tensioner Kit .....	VKMA41004		(Speedi-Sleeve) .....	99177
1995-1993	Mirage w/1.8L Eng.:		1992-1987	Precis w/1.5L Eng. Thru 9/92:	
	Belt & Tensioner Kit .....	VKMA95025		Seal .....	11671
1995-1992	Diamante w/3.0L SOHC Eng.:			(Speedi-Sleeve) .....	99114
	Belt & Tensioner Kit .....	VKMA95000	1991-1990	Galant w/2.0L Eng. w/o DOHC:	
1995-1992	Diamante w/3.0L DOHC Eng.:			Seal .....	17629
	Belt & Tensioner Kit .....	VKMA95003		(Speedi-Sleeve) .....	99177
1994	Galant w/2.4L DOHC Eng.:		1991-1984	1.6L, 2.0L & 2.3L Eng.:	
	Belt & Tensioner Kit .....	VKMA95620		Seal .....	17629
1994-1990	Eclipse w/2.0L DOHC Eng.:			(Speedi-Sleeve) .....	99177
	Belt & Tensioner Kit .....	VKMA95005	1990	Galant Sigma w/3.0L Eng. From 6/90:	
1993	Galant w/2.0L DOHC Eng.:			Seal .....	14671
	Belt & Tensioner Kit .....	VKMA95019	1990-1988	Galant Sigma w/3.0L Eng. Thru 5/90:	
1993-1990	Eclipse w/1.8L Eng.:			Seal .....	14671
	Belt & Tensioner Kit .....	VKMA95008	1990-1986	1.8L Eng. Thru 5/90:	
1993-1990	Mirage w/1.5L Eng.:			Seal .....	17629
	Belt & Tensioner Kit .....	VKMA95012		(Speedi-Sleeve) .....	99177
1993-1990	Precis w/1.5L Eng.:		1989-1985	1.5L Eng. Exc. Precis:	
	Belt & Tensioner Kit .....	VKMA95207		Seal .....	11671
1992-1989	Galant w/2.0L SOHC Eng.:			(Speedi-Sleeve) .....	99114
	Belt & Tensioner Kit .....	VKMA95009	<b>Steering-Power</b>		
1990-1988	Sigma w/3.0L Eng.:		<b>Pump Shaft</b>		
	Belt & Tensioner Kit .....	VKMA95003	1992-1990	Eclipse, Galant & Mirage From 5/90:	
1988-1984	Cordia w/1.8L & 2.0L Eng. w/o Turbo:			Seal .....	6622
	Belt & Tensioner Kit .....	VKMA95036	1988-1983	All:	
1988-1983	Tredia:			Seal .....	7005
	Belt & Tensioner Kit .....	VKMA95036			

MFG./YEAR	MODEL & LOCATION	PART NO.	MFG./YEAR	MODEL & LOCATION	PART NO.
<b>Wheel Front</b>			<b>Clutch (Cont.)</b>		
<b>1990-1987 Van/Wgn.:</b>			<b>Release</b>		
	Seal .....	19605	<b>1989-1985 Starion w/I/C Turbo:</b>		
	Bearing (Inner) .....	BR5	Bearing Assembly .....		
	(Set Components) .....	LM48548/LM48510	1987-1983 Starion w/o I/C Turbo:		
	Bearing (Outer) .....	BR3	Bearing Assembly .....		
	(Set Components) .....	M12649/M12610	1989-1983 Starion:		
	Seal .....	17340	Seal .....		
	Bearing (Inner) .....	BR6	(Speedi-Sleeve) .....		
	(Set Components) .....	LM67048/LM67010	1989-1983 Starion:		
	Bearing (Outer) .....	BR2	Seal .....		
	(Set Components) .....	LM11949/LM11910	(Speedi-Sleeve) .....		
<b>Wheel Rear</b>			<b>Transmission-Automatic</b>		
<b>1990-1987 Van/Wgn.:</b>			<b>Front Pump</b>		
	Seal (Inner) .....	13792	<b>1990-1987 Van/Wgn.:</b>		
	Seal (Outer) .....	17784	Seal .....		
	Bearing .....	LM29749/LM29710	(Speedi-Sleeve) .....		
<b>1989-1983 Starion:</b>			1989-1983 Starion:		
	Seal .....	15850	Seal .....		
	Bearing (Inner) .....	6206-RSJ	(Speedi-Sleeve) .....		
	Bearing (Outer) .....	6207-RSJ	1989-1983 Starion:		
<b>Pinion</b>			<b>Transmission-Manual</b>		
<b>Rear Axle</b>			<b>Input Shaft</b>		
<b>1990-1987 Van/Wgn.:</b>			<b>1989-1986 Starion:</b>		
	Seal .....	17667	Seal .....		
	(Speedi-Sleeve) .....	99177	(Speedi-Sleeve) .....		
	Bearing (Front) .....	M88043/M88010	1985-1983 Starion:		
	Bearing (Rear) .....	HM89449/HM89410	Seal .....		
<b>1989-1985 Starion w/I/C Turbo:</b>			(Speedi-Sleeve) .....		
	Seal .....	17667	<b>Rear</b>		
	(Speedi-Sleeve) .....	99177	<b>1989-1983 Starion:</b>		
	Bearing (Front) .....	M88043/M88010	Seal .....		
	Bearing (Rear) .....	HM89448/HM89410	(Speedi-Sleeve) .....		
<b>1987-1984 Starion w/o I/C Turbo From 6/84:</b>			<b>Alternator</b>		
	Seal .....	16527	<b>1989-1987 Starion:</b>		
	(Speedi-Sleeve) .....	99169	Bearing (Front) .....		
	Bearing (Front) .....	M86649/M86610	1986-1985 Starion w/I/C Turbo:		
	Bearing (Rear) .....	HM89448/HM89410	Bearing (Front) .....		
<b>1984-1983 Starion w/o I/C Turbo From 6/83 Thru 5/84:</b>			1986-1983 Starion w/o I/C Turbo:		
	Seal .....	16527	Bearing (Front) .....		
	(Speedi-Sleeve) .....	99169	Bearing (Rear) .....		
	Bearing (Front) .....	M86649/M86610	<b>Drive Shaft</b>		
	Bearing (Rear) .....	HM89449/HM89410	<b>1986-1983 Starion:</b>		
<b>Differential</b>			Bearing .....		
<b>Rear Axle</b>			6206-2RSJ		
<b>1990-1987 Van/Wgn.:</b>			<b>Engine</b>		
	Bearing .....	KC11445-Y	<b>Balance Shaft</b>		
	(Set Components) .....	BR17887/BR17831	<b>1990-1987 2.4L Eng.:</b>		
<b>1989-1983 Starion:</b>			Seal .....		
	Bearing .....	KC11445-Y	(Speedi-Sleeve) .....		
	(Set Components) .....	BR17887/BR17831	<b>Camshaft</b>		
<b>Clutch</b>			<b>1990-1987 2.4L Eng.:</b>		
<b>Pilot</b>			Seal .....		
<b>1990-1988 Van/Wgn.:</b>			(Speedi-Sleeve) .....		
	Bearing .....	6002-2RSJ	<b>Crankshaft-Rear</b>		
<b>1989-1984 Starion:</b>			<b>1990-1987 2.4L Eng.:</b>		
	Bearing .....	6002-2RSJ	Seal .....		
			(Speedi-Sleeve) .....		

(Continued)

**Mitsubishi Passenger (RWD) -- (Cont.)**

MFG./YEAR	MODEL & LOCATION	PART NO.	MFG./YEAR	MODEL & LOCATION	PART NO.
<b>Engine (Cont.)</b>			<b>Steering-Power</b>		
<b>Crankshaft-Rear (Cont.)</b>			<b>Pitman Shaft</b>		
1989-1983	2.6L Turbo Eng.:		1989-1983	Starion:	
	Seal .....	31506		Seal .....	525327
	(Speedi-Sleeve) .....	99317	<b>Pump Shaft</b>		
<b>Oil Pump</b>			1990-1983	Starion & Van/Wgn.:	
1990-1987	2.4L Eng.:			Seal .....	7005
	Seal .....	7905	<b>Worm Shaft</b>		
	(Speedi-Sleeve) .....	99078	1989-1983	Starion:	
<b>Timing Belt and Tensioner Kit</b>				Seal .....	7400
1990-1987	Van/Wgn.:				
	Belt & Tensioner Kit .....	VKMA95017			
<b>Timing Cover</b>					
1990-1987	2.4L Eng.:				
	Seal .....	17629			
	(Speedi-Sleeve) .....	99177			
1989-1983	2.6L Turbo Eng.:				
	Seal .....	18854			
	(Speedi-Sleeve) .....	99189			

**Mitsubishi Expo, Expo-LRV**

<b>Wheel Front</b>		<b>Transaxle-Automatic</b>	
1995-1992	All:	<b>Front Pump</b>	
	Seal (Inner) .....	1995-1992	All:
	Seal (Outer) .....		Seal .....
	Bearing .....		(Speedi-Sleeve) .....
<b>Wheel Rear</b>		<b>Output Shaft</b>	
1995-1992	Expo & Expo LRV w/o 4 W/D & Drum Brks.:	1995-1992	F.W.D.:
	Hub Assembly .....		Seal .....
			(Speedi-Sleeve) .....
1993-1992	Expo & Expo LRV w/4 W/D:	1994-1992	4 W/D:
	Bearing .....		Seal (L.H.) .....
			(Speedi-Sleeve) (L.H.) .....
<b>Pinion</b>			Seal (R.H.) .....
<b>Rear Axle</b>		<b>Transaxle-Manual</b>	
1995-1992	All:	<b>Input Shaft</b>	
	Bearing (Front) .....	1995-1992	All:
	Bearing (Rear) .....		Seal .....
			(Speedi-Sleeve) .....
<b>Differential</b>		<b>Output Shaft</b>	
<b>Front Axle</b>		1995-1992	F.W.D.:
1995-1992	Expo & Expo LRV w/Auto Transaxle & 4 W/D:		Seal .....
	Bearing .....		(Speedi-Sleeve) .....
1995-1992	Expo LRV w/o 4 W/D & Man. Transaxle:	1994-1992	4 W/D:
	Bearing .....		Seal (L.H.) .....
1995-1992	Expo & Expo LRV w/4 W/D & Man. Transaxle:		Seal (R.H.) .....
	Bearing .....		(Speedi-Sleeve) (R.H.) .....
<b>Rear Axle</b>		<b>Transfer Case</b>	
1995-1992	All:	<b>Input Shaft</b>	
	Seal .....	1994-1992	Expo & Expo LRV w/o Auto. Transaxle:
	(Speedi-Sleeve) .....		Seal .....
	Bearing .....		(Speedi-Sleeve) .....
<b>Clutch</b>		1994-1992	Expo & Expo LRV w/Auto. Transaxle:
<b>Release</b>			Seal .....
1995-1992	All:		(Speedi-Sleeve) .....
	Bearing Assembly .....		1994-1992
			Expo & Expo LRV w/Auto. Transaxle:
			Seal .....

(Continued)

MFG./YEAR	MODEL & LOCATION	PART NO.	MFG./YEAR	MODEL & LOCATION	PART NO.
<b>Transfer Case (Cont.)</b>			<b>Engine (Cont.)</b>		
<b>Output Shaft</b>			<b>Timing Belt Tensioner</b>		
1994-1992 All:			1995 All:		
	Seal .....	12736		Bearing & Housing Assy. ....	VKM75064
	(Speedi-Sleeve) .....	99128	1994-1993 2.4L Eng.:		
<b>Alternator</b>			Bearing & Housing Assy. .... VKM75044		
1995-1992 Expo & Expo LRV:			1994-1992 w/o 2.4L Eng.:		
	Bearing (Front) .....	6303-2RSJ	Bearing & Housing Assy. .... VKM75002		
<b>Engine</b>			<b>Timing Cover</b>		
<b>Balance Shaft</b>			1995-1992 2.4L Eng. From 6/92:		
1995-1992 2.4L Eng. From 6/92:			Seal .....		
	Seal .....	9706	(Speedi-Sleeve) .....		
	(Speedi-Sleeve) .....	99098	1994-1992 1.8L Eng.:		
1992 2.4L Eng. Thru 5/92:			Seal .....		
	Seal .....	9708	1992 2.4L Eng. Thru 5/92:		
	(Speedi-Sleeve) .....	99098	Seal .....		
<b>Camshaft</b>			(Speedi-Sleeve) .....		
1995-1992 1.8L & 2.4L Eng.:			99177		
	Seal .....	13943	1994-1992 1.8L Eng.:		
	(Speedi-Sleeve) .....	99139	Seal .....		
<b>Crankshaft-Rear</b>			14671		
1995-1992 2.4L Eng. From 6/92:			1992 2.4L Eng. Thru 5/92:		
	Seal .....	33861	Seal .....		
1994-1992 1.8L Eng.:			(Speedi-Sleeve) .....		
	Seal .....	33861	99177		
1992 2.4L Eng. Thru 5/92:					
	Seal .....	31506			
	(Speedi-Sleeve) .....	99315			

**Mitsubishi Truck Montero, Montero Sport, Pickup**

<b>Wheel Front (2 W/D)</b>	
1995-1986 Pickup:	
Seal .....	19605
Bearing (Inner) .....	BR5
(Set Components) .....	LM48548/LM48510
Bearing (Outer) .....	BR3
(Set Components) .....	M12649/M12610
1985-1983 Pickup:	
Seal .....	22822
Bearing (Inner) .....	BR5
(Set Components) .....	LM48548/LM48510
Bearing (Outer) .....	BR3
(Set Components) .....	M12649/M12610
<b>Wheel Front (4 W/D)</b>	
1995-1984 Montero w/2.6L & 3.0L Eng. From 12/84; Montero Sport:	
Seal .....	22841
Bearing .....	BR50
(Set Components) .....	LM102949/LM102910
1994-1985 Pickup w/2.6L & 3.0L Eng.:	
Seal .....	22841
Bearing .....	[2] BR50
(Set Components) .....	LM102949/LM102910
1984-1983 Montero Thru 11/84:	
Seal .....	22822
Bearing .....	[2] BR50
(Set Components) .....	LM102949/LM102910

<b>Wheel Front (4 W/D) (Cont.)</b>	
<b>Axle Shaft</b>	
1993-1983 Montero & Pickup:	
Seal .....	22035
Bearing .....	B2012
<b>Wheel Rear</b>	
1995-1991 Montero w/3.0L Eng. From 10/91:	
Seal (Inner) .....	14510
Seal (Outer) .....	20012
Sealed Bearing .....	FW181
1995-1990 Pickup From 12/90:	
Seal (Inner) .....	14510
Seal (Outer) .....	19211
Bearing .....	BR30208
1991-1990 Montero w/o Std. Body w/3.0L Eng. From 6/90 Thru 9/91:	
Seal (Inner) .....	14050
Seal (Outer) .....	19211
Bearing .....	BR30208
1990 Pickup From 6/90 Thru 11/90:	
Seal (Inner) .....	14050
Seal (Outer) .....	19211
Bearing .....	BR30208
1990-1989 Montero w/3.0L Eng. Thru 5/90:	
Seal (Inner) .....	14510
Seal (Outer) .....	19211
Bearing .....	GRW161
(Continued)	

Mitsubishi Truck Montero, Montero Sport, Pickup -- (Cont.)

MFG./YEAR	MODEL & LOCATION	PART NO.	MFG./YEAR	MODEL & LOCATION	PART NO.
<b>Wheel Rear (Cont.)</b>			<b>Differential (Cont.)</b>		
1990-1985	Pickup Thru 5/90:		<b>Front Axle (Cont.)</b>		
	Seal (Inner) .....	14510	1995-1989	Montero & Pickup w/3.0L Eng. & Man. Trans.:	
	Seal (Outer) .....	19211		Seal .....	13484
	Bearing .....	GRW161		(Speedi-Sleeve) .....	99134
1989-1983	Montero w/2.6L Eng.:			Bearing .....	KC11445-Y
	Seal (Inner) .....	14510		(Set Components) .....	BR17887/BR17831
	Seal (Outer) .....	19211	1989-1983	Montero & Pickup w/2.6L Eng.:	
	Bearing .....	GRW161		Seal .....	12785
<b>Pinion</b>				(Speedi-Sleeve) .....	99128
<b>Front Axle</b>				Bearing .....	KC11445-Y
1995-1991	Montero w/3.0L Eng. w/o Man. Trans.:			(Set Components) .....	BR17887/BR17831
	Seal .....	16527	<b>Rear Axle</b>		
	(Speedi-Sleeve) .....	99169	1995-1983	Montero & Pickup:	
	Bearing (Front) .....	M86649/M86610		Bearing .....	KC11445-Y
	Bearing (Rear) .....	HM89448/HM89410		(Set Components) .....	BR17887/BR17831
1995-1990	Montero & Pickup w/3.0L Eng. & Man. Trans. From 7/90:		<b>Clutch</b>		
	Seal .....	17795	<b>Pilot</b>		
	(Speedi-Sleeve) .....	99177	1995-1989	Montero & Pickup w/3.0L Eng.; Montero Sport:	
	Bearing (Front) .....	M88043/M88010		Bearing .....	6203-2RSJ
	Bearing (Rear) .....	HM89448/HM89410	1995-1983	2.0L, 2.4L & 2.6L Eng.:	
1990-1989	Montero & Pickup w/3.0L Eng. Thru 6/90:			Bearing .....	6002-2RSJ
	Seal .....	17667	<b>Release</b>		
	(Speedi-Sleeve) .....	99177	1995-1989	Montero & Pickup w/3.0L Eng.; Montero Sport:	
	Bearing (Front) .....	M88043/M88010		Bearing Assembly .....	N4088
	Bearing (Rear) .....	HM89448/HM89410	1995-1986	Pickup w/o 3.0L Eng.:	
1989-1983	Montero & Pickup w/2.6L Eng.:			Bearing Assembly .....	N4030
	Seal .....	16527	1989-1986	Montero w/o 3.0L Eng.:	
	(Speedi-Sleeve) .....	99169		Bearing Assembly .....	N4053
	Bearing (Front) .....	M86649/M86610	1985-1983	Montero w/o 3.0L Eng.:	
	Bearing (Rear) .....	HM89448/HM89410		Bearing Assembly .....	N4030
<b>Rear Axle</b>			<b>Transfer Case</b>		
1995-1989	Montero w/3.0L Eng.:		<b>Front Output Shaft</b>		
	Seal .....	17667	1995-1983	Montero & Pickup:	
	(Speedi-Sleeve) .....	99177		Seal .....	14017
	Bearing (Front) .....	M88043/M88010		(Speedi-Sleeve) .....	99146
	Bearing (Rear) .....	HM89249/HM89210		Bearing .....	6306-J
1995-1986	Pickup w/o 3.0L Eng.:		<b>Input Shaft</b>		
	Seal .....	17667	1995-1989	Montero w/3.0L Eng. w/o Man. Trans.:	
	(Speedi-Sleeve) .....	99177		Seal .....	17734
	Bearing (Front) .....	M88043/M88010		(Speedi-Sleeve) .....	99177
	Bearing (Rear) .....	HM89449/HM89410		Bearing .....	5209-E
1994-1990	Pickup w/3.0L Eng.:		1995-1983	Montero w/2.6L & 3.0L Eng. & Man. Trans.:	
	Seal .....	17667		Seal .....	17758
	(Speedi-Sleeve) .....	99177		(Speedi-Sleeve) .....	99177
	Bearing (Front) .....	M88043/M88010		Bearing .....	5209-E
	Bearing (Rear) .....	HM89249/HM89210	1986-1983	Montero w/2.6L Eng. & Auto. Trans.:	
1989-1983	Montero w/2.6L Eng.:			Seal (Outer) .....	17762
	Seal .....	17667		(Speedi-Sleeve) (Outer) .....	99177
	(Speedi-Sleeve) .....	99177		Bearing .....	6211-J
	Bearing (Front) .....	M88043/M88010	<b>Rear Output Shaft</b>		
	Bearing (Rear) .....	HM89449/HM89410	1995-1983	Montero:	
<b>Differential</b>				Seal .....	15805
<b>Front Axle</b>				(Speedi-Sleeve) .....	99157
1995-1991	Montero w/3.0L Eng. w/o Man. Trans.:			Bearing .....	6211-J
	Seal .....	12785	1995-1983	Pickup:	
	(Speedi-Sleeve) .....	99128		Seal .....	15800
	Bearing .....	KC11445-Y		(Speedi-Sleeve) .....	99157
	(Set Components) .....	BR17887/BR17831		Bearing .....	6211-J
			(Continued)		



# Passenger cars, light & medium trucks

## (Cont.) -- Mitsubishi Truck Montero, Montero Sport, Pickup

MFG./YEAR	MODEL & LOCATION	PART NO.	MFG./YEAR	MODEL & LOCATION	PART NO.
<b>Transmission-Automatic</b>			<b>Engine (Cont.)</b>		
<b>Front Pump</b>			<b>Camshaft</b>		
1995-1986 Pickup:			1995-1983 2.0L, 2.4L, 3.0L & 3.5L SOHC Gas Eng.:		
	Seal .....	14772		Seal .....	13907
	(Speedi-Sleeve) .....	99147		(Speedi-Sleeve) .....	99139
1994 Montero w/3.0L Eng.:			<b>Crankshaft-Rear</b>		
	Seal .....	14772	1995-1992 2.0L & 2.4L Eng. From 6/92:		
	(Speedi-Sleeve) .....	99147		Seal .....	33861
1993-1983 Montero:			1995-1989 3.0L & 3.5L SOHC Eng.:		
	Seal .....	14772		Seal .....	36204
	(Speedi-Sleeve) .....	99147	1992-1983 2.0L, 2.4L & 2.6L Gas Eng. Exc. Montero Thru 5/92:		
<b>Rear</b>				Seal .....	31506
1995-1986 Pickup w/2 W/D:				(Speedi-Sleeve) .....	99315
	Seal .....	15463	<b>Oil Pump</b>		
1995-1983 Montero:			1991-1987 2.0L & 2.4L Gas Eng.:		
	Seal .....	17758		Seal .....	7905
	(Speedi-Sleeve) .....	99177		(Speedi-Sleeve) .....	99078
<b>Transmission-Manual</b>			1986-1983 2.0L Gas Eng.:		
<b>Front</b>				Seal .....	6611
1995-1989 Montero & Pickup w/3.0L Eng.:				(Speedi-Sleeve) .....	99068
	Seal .....	12717	<b>Timing Belt Tensioner</b>		
	(Speedi-Sleeve) .....	99128	1995 Montero & Montero Sport w/3.0L & 3.5L Eng.:		
1995-1983 Montero & Pickup w/o 3.0L Eng.:				Bearing & Housing Assy. ....	VKM75000
	Seal .....	11592	1995-1990 Pickup w/2.4L Eng.:		
	(Speedi-Sleeve) .....	99114		Bearing & Housing Assy. ....	VKM75033
	Bearing .....	6307-NRJ	1994-1989 Montero w/3.0L Eng.:		
<b>Rear</b>				Bearing & Housing Assy. ....	VKM75004
1995-1986 Pickup w/2 W/D:			<b>Timing Belt and Tensioner Kit</b>		
	Seal .....	14017	1995 Montero:		
	(Speedi-Sleeve) .....	99146		Belt & Tensioner Kit .....	VKMA95613
<b>Alternator</b>			1994-1988 Montero:		
1991-1987 Pickup:				Belt & Tensioner Kit .....	VKMA95003
	Bearing (Front) .....	6302-2RSJ	1992-1990 Pickup w/2.4L Eng.:		
1989-1987 Montero w/2.6L Eng.:				Belt & Tensioner Kit .....	VKMA95017
	Bearing (Front) .....	6302-2RSJ	<b>Timing Cover</b>		
	Bearing (Rear) .....	6201-ZJ	1995-1990 3.0L Eng.:		
1986 Montero w/2.6L Eng.:				Seal .....	14671
	Bearing (Front) .....	6202-2RSJ	1995-1990 2.4L Eng. From 6/90:		
	Bearing (Rear) .....	6201-ZJ		Seal .....	17629
1986-1983 Pickup w/o Diesel Eng.:				(Speedi-Sleeve) .....	99177
	Bearing (Front) .....	6202-2RSJ	1990-1983 2.0L & 2.4L Eng. Thru 5/90:		
	Bearing (Rear) .....	6201-ZJ		Seal .....	17629
1985-1983 Montero w/2.6L Eng. From 6/83:				(Speedi-Sleeve) .....	99177
	Bearing (Front) .....	6202-2RSJ	1989-1983 2.6L & 3.0L Gas Eng.:		
1985-1983 Pickup w/Diesel Eng.:				Seal .....	18854
	Bearing (Front) .....	6302-2ZJ		(Speedi-Sleeve) .....	99189
1983 Montero w/2.6L Eng. Thru 5/83:			1985-1983 2.3L Diesel Eng.:		
	Bearing (Front) .....	6202-2RSJ		Seal .....	17629
	Bearing (Rear) .....	6201-2ZJ		(Speedi-Sleeve) .....	99177
<b>Drive Shaft</b>			<b>Steering-Power</b>		
1988-1983 Pickup:			<b>Pitman Shaft</b>		
	Bearing & Support .....	HB1680-10	1992 Montero:		
<b>Engine</b>				Seal .....	6622
<b>Balance Shaft</b>			1992-1986 Pickup w/o 4 W/D:		
1985-1983 2.3L Diesel Eng.:				Seal .....	525327
	Seal (Upper) .....	9706	1992-1986 Pickup w/4 W/D:		
	(Speedi-Sleeve) (Upper) .....	99098		Seal .....	12700
	Seal (Lower) .....	6611			
	(Speedi-Sleeve) (Lower) .....	99068			

(Continued)

## Passenger cars, light & medium trucks

### Mitsubishi Truck Montero, Montero Sport, Pickup -- (Cont.)

MFG./YEAR	MODEL & LOCATION	PART NO.	MFG./YEAR	MODEL & LOCATION	PART NO.
<b>Steering-Power (Cont.)</b>			<b>Steering-Standard (Cont.)</b>		
<b>Pump Shaft</b>			<b>Pitman Shaft (Cont.)</b>		
1992-1987	Pickup:		1983	Montero Thru 6/83:	
	Seal .....	7920		Seal .....	525327
1989-1983	Montero Thru 5/89:		<b>Worm Shaft</b>		
	Seal .....	7005	1992-1986	Pickup:	
1986-1984	Pickup:			Seal .....	7220
	Seal .....	7475	1989-1983	Montero:	
1983	Pickup:			Seal .....	7400
	Seal .....	7005	<b>Worm Shaft</b>		
1992-1986	Pickup:		<b>Steering-Standard</b>		
	Seal .....	7400	<b>Pitman Shaft</b>		
<b>Steering-Standard</b>			1992-1986 Pickup:		
<b>Pitman Shaft</b>			Seal .....		
1992-1986 Pickup:			1989-1983 Montero From 7/83:		
Seal .....			Seal .....		
13908			12700		

### Morris

<b>Wheel Front</b> 1971-1957 Minor & Minor 1000: Seal ..... 13649 Bearing (Inner) ..... 7205-J Bearing (Outer) ..... 7303-BY	<b>Pinion (Cont.)</b> 1963-1954 Oxford Ser. II, III & IV: Seal ..... 15142 (Speedi-Sleeve) ..... 99149 (Speedi-Sleeve/Seal Kit) ..... 480151
<b>Wheel Rear</b> 1971-1956 Minor 1000 From Chas. C448801: Seal ..... 17386 1966-1959 Minor: Seal ..... 17386 1964-1954 Oxford Ser. II, III & IV: Seal ..... 19264 1961-1960 Mini-Cooper, Mini Mark & Mini Moke: Seal ..... 13649	<b>Generator</b> <b>Front</b> 1975-1969 Mini: Bearing ..... 6202-J 1963-1954 Minor & Minor 1000: Bearing ..... 6202-J <b>Rear</b> 1975-1961 Mini: Bearing ..... 6203-J 1963-1954 Minor, Minor 1000 & Oxford: Bearing ..... 6203-J
<b>Pinion</b> 1971-1957 Minor & Minor 1000: Seal ..... 15142 (Speedi-Sleeve) ..... 99149 (Speedi-Sleeve/Seal Kit) ..... 480151	

### Nissan Passenger (FWD)

<b>Wheel Front</b> 1995-1991 Sentra & 2005X: Seal (Inner) ..... 21652 Seal (Outer) ..... 22120 Bearing ..... FW114 C-Clip ..... CIR114 1995-1990 Altima & Maxima From 5/90; Stanza: Seal (Inner) ..... 22013 Seal (Outer) ..... 22013 Bearing ..... FW119 1993-1991 NX: Seal ..... 21652 Bearing ..... FW114 1990 Pulsar: Seal ..... 20465 Sealed Bearing ..... FW116 C-Clip ..... CIR116	<b>Wheel Front (Cont.)</b> 1990-1988 Maxima From 8/88 Thru 5/90: Seal ..... 22125 Bearing ..... FW119 1990-1986 Sentra: Seal ..... 20465 Sealed Bearing ..... FW116 C-Clip ..... CIR116 1989-1987 Stanza Wgn. w/4 W/D From 8/87: Seal ..... 22048 Bearing Assembly ..... FW176 1989-1986 Pulsar From 9/86: Seal ..... 20465 Sealed Bearing ..... FW116 C-Clip ..... CIR116 (Continued)
---	---

# Passenger cars, light & medium trucks

(Cont.) -- Nissan Passenger (FWD)

MFG./YEAR	MODEL & LOCATION	PART NO.	MFG./YEAR	MODEL & LOCATION	PART NO.
<b>Wheel Front (Cont.)</b>			<b>Wheel Rear (Cont.)</b>		
1988-1987	Stanza & Stanza Wgn. w/o 4 W/D From 8/87:		1989-1987	Sentra Sed. & Wgn.:	
	Seal (Inner) .....	22020		Sealed Bearing .....	FW120
	Seal (Outer) .....	22048		C-Clip .....	CIR120
	Bearing Assembly .....	FW176	1988-1986	Stanza & Stanza Wgn. w/o 4 W/D:	
1988-1986	Maxima From 8/86 Thru 7/88:			Seal .....	16891
	Seal (Inner) .....	22020		Bearing (Inner) .....	GRW148
	Seal (Outer) .....	22048		Bearing (Outer) .....	BR2
	Bearing Assembly .....	FW176		(Set Components) .....	LM11949/LM11910
1987-1986	Stanza Exc. Wgn. From 2/86 Thru 8/87:		1988-1985	Maxima Thru 7/88:	
	Seal (Inner) .....	22020		Seal .....	16891
	Seal (Outer) .....	22048		Bearing (Inner) .....	GRW148
	Bearing Assembly .....	FW176		Bearing (Outer) .....	BR2
1987-1985	Stanza Wgn. Thru 8/87:			(Set Components) .....	LM11949/LM11910
	Seal (Inner) .....	22020	1987-1985	Stanza Wgn. w/4 W/D Thru 9/87:	
	Seal (Outer) .....	22048		Seal .....	22020
	Bearing Assembly .....	FW176		Bearing Assembly .....	FW176
1986-1985	Stanza Exc. Wgn. From 10/85 Thru 2/86:		1986-1983	Pulsar Thru 8/86:	
	Seal (Inner) .....	22027		Seal .....	16892
	Seal (Outer) .....	20457		Bearing (Inner) .....	BR8
	Bearing .....	LM300849/LM300811		(Set Components) .....	L45449/L45410
1986-1985	Maxima From 7/84 Thru 8/86:			Bearing (Outer) .....	BR2
	Seal .....	22020		(Set Components) .....	LM11949/LM11910
	Bearing Assembly .....	FW176	1986-1979	310 & Sentra Exc. Wgn.:	
1986-1983	Pulsar Thru 8/86:			Seal .....	16892
	Seal (Inner) .....	20428		Bearing (Inner) .....	BR8
	Seal (Outer) .....	20422		(Set Components) .....	L45449/L45410
	Bearing .....	[2] BR51		Bearing (Outer) .....	BR2
	(Set Components) .....	LM29748/LM29710		(Set Components) .....	LM11949/LM11910
1985-1982	Stanza Exc. Wgn. Thru 10/85:		1985-1982	Stanza:	
	Seal (Inner) .....	22027		Seal .....	16892
	Seal (Outer) .....	20439		Bearing (Inner) .....	GRW148
	Bearing .....	[2] LM300849/LM300811		Bearing (Outer) .....	BR2
1985-1976	F10, Sentra & 310:			(Set Components) .....	LM11949/LM11910
	Seal (Inner) .....	20428	1978-1976	F10:	
	Seal (Outer) .....	20422		Seal .....	14702
	Bearing .....	[2] BR51		Bearing (Inner) .....	BR32005
	(Set Components) .....	LM29748/LM29710		Bearing (Outer) .....	BR30302
<b>Wheel Rear</b>			<b>Pinion</b>		
1995-1993	Altima:		<b>Rear Axle</b>		
	Hub Assembly .....	BR930130	1989-1986	Sentra w/4 W/D:	
1995	Sentra & 200SX:			Seal .....	13978
	Hub Assembly .....	BR930134		(Speedi-Sleeve) .....	99139
1995	Maxima w/o ABS:			Bearing (Front) .....	BR32305
	Hub Assembly .....	◇ BR930403		Bearing (Center) .....	6305-VSP65
	(Superseded by:) .....	BR930701		Bearing (Rear) .....	BR32306
	Hub Stud .....	[5] 801STD	1988-1985	Stanza Wgn. w/4 W/D:	
1994-1991	Sentra w/2.0L Eng. w/o ABS:			Seal .....	13978
	Hub Assembly .....	BR930134		(Speedi-Sleeve) .....	99139
1994-1990	NX & Sentra w/o ABS w/1.6L Eng.:			Bearing (Front) .....	BR32305
	Hub Assembly .....	BR930134		Bearing (Center) .....	6305-VSP65
1994-1988	Maxima w/o ABS From 8/88:			Bearing (Rear) .....	BR32307
	Hub Assembly .....	BR930130	<b>Differential</b>		
1992-1991	Stanza w/4 Whl. ABS Exc. GXE:		<b>Rear Axle</b>		
	Hub Assembly .....	BR930130	1989-1986	Sentra w/4 W/D:	
1992-1989	Stanza w/o ABS Exc. GXE:			Seal .....	550224
	Hub Assembly .....	BR930130		Bearing .....	BR30208
1990-1986	Pulsar From 9/86:		1989-1986	Stanza Wgn. w/4 W/D:	
	Sealed Bearing .....	FW120		Seal .....	550224
	C-Clip .....	CIR120		Bearing .....	BR30208
1989-1987	Stanza Wgn. w/4 W/D From 9/87:			(Continued)	
	Seal .....	22048			
	Bearing Assembly .....	FW176			

**Nissan Passenger (FWD) -- (Cont.)**

MFG./YEAR	MODEL & LOCATION	PART NO.
<b>Clutch</b>		
<b>Pilot</b>		
1995-1993	All: Bearing (Bushing)	B22
<b>Release</b>		
1995	Sentra & 200SX:	
	Bearing Assembly	N4027
1995-1993	Altima:	
	Bearing Assembly	N4051
1995-1985	Maxima:	
	Bearing Assembly	N4029
1994-1987	Sentra w/1.6L & 2.0L Eng. w/o 4 W/D; Pulsar w/1.6L Eng. From 8/87:	
	Bearing Assembly	N4027
1992-1989	Stanza From 7/89:	
	Bearing Assembly	N4098
1989-1988	Pulsar w/1.8L Eng.:	
	Bearing Assembly	N4072
1989-1986	Sentra w/4 W/D & 1.6L Eng.:	
	Bearing Assembly	N3063
1988-1986	Stanza & Stanza Wgn.:	
	Bearing Assembly	N4028
1987	Pulsar w/1.6L DOHC Eng. From 9/86 Thru 8/87:	
	Bearing Assembly	N4028
1986-1983	Sentra & Pulsar w/1.6L Eng. w/o DOHC:	
	Bearing Assembly	N3063
1985-1982	Stanza:	
	Bearing Assembly	N3063
1984-1983	Pulsar w/1.5L Turbo Eng. Thru 7/84:	
	Bearing Assembly	N3063
1981-1976	F10 & 310:	
	Bearing Only	N3026
<b>Transaxle-Automatic</b>		
<b>Differential</b>		
1995-1993	Altima w/o Limited Slip Diff. & High Spd.:	
	Bearing	32009-X
1995-1993	Altima w/Limited Slip Diff. & High Spd.:	
	Bearing (L.H.)	32009-X
	Bearing (R.H.)	32013-X
1995-1992	Maxima w/DOHC Eng.:	
	Bearing (L.H.)	32009-X
	Bearing (R.H.)	32013-X
1994-1985	Maxima w/o DOHC Eng.:	
	Bearing (L.H.)	BR30208
1993-1991	Sentra w/1.6L Eng. & 4 Spd. Trans.:	
	Bearing	6208-J
1993-1991	Sentra w/2.0L Eng.:	
	Bearing	32008-X
1993-1990	Sentra w/1.6L Eng. & 3 Spd. Trans.:	
	Bearing (L.H.)	32013-X
	Bearing (R.H.)	BR30208
1992-1990	Stanza GXE:	
	Bearing (L.H.)	32010-X
	Bearing (R.H.)	32013-X
1990-1983	Pulsar w/1.6L Eng.:	
	Bearing (L.H.)	32013-X
	Bearing (R.H.)	BR30208
1989-1988	Pulsar w/1.8L Eng.:	
	Bearing (R.H.)	BR30208
1989-1986	Stanza Exc. Wgn.:	
	Bearing (L.H.)	BR30208

**Transaxle-Automatic (Cont.)**

**Differential (Cont.)**

1989-1986	Sentra w/o 4 W/D:	
	Bearing (L.H.)	32013-X
	Bearing (R.H.)	BR30208
1989-1986	Sentra w/4 W/D:	
	Bearing (L.H.)	32013-X
1989-1985	Stanza Wgn. w/4 W/D:	
	Bearing (L.H.)	BR73
1988-1986	Stanza Wgn. w/o 4 W/D:	
	Bearing (R.H.)	BR30208
1985-1982	Sentra w/o 4 W/D:	
	Bearing (L.H.)	BR30208
	Bearing (R.H.)	32013-X
1985-1981	Stanza & 310:	
	Bearing (L.H.)	BR30208
	Bearing (R.H.)	32013-X

**Front Pump**

1995-1993	Altima:	
	Seal	17134
1995-1990	Sentra & 200SX:	
	Seal	16536
1995-1985	Maxima:	
	Seal	17679
1992-1986	Pulsar w/1.8L Eng.; Stanza & Stanza Wgn.:	
	Seal	17679
1990-1983	Pulsar w/1.6L Eng.:	
	Seal	18983
1989-1986	Sentra:	
	Seal	18983
1985-1981	Stanza & 310:	
	Seal	18983

**Output Shaft**

1995-1993	Altima w/o Limited Slip Diff. & High Spd.:	
	Seal (L.H.)	15372
	Seal (R.H.)	13005
	(Speedi-Sleeve) (R.H.)	99121
1995-1993	Altima w/Limited Slip Diff. & High Spd.:	
	Seal (L.H.)	18000
	(Speedi-Sleeve) (L.H.)	99181
	Seal (R.H.)	13005
	(Speedi-Sleeve) (R.H.)	99121
1995-1991	Sentra & 200SX w/1.6L Eng. & 4 Spd. Trans.:	
	Seal	15888
1995-1991	Sentra & 200SX w/2.0L Eng. & 4 Spd. Trans.:	
	Seal (L.H.)	12912
	(Speedi-Sleeve) (L.H.)	99121
	Seal (R.H.)	16594
1995-1985	Maxima:	
	Seal (L.H.)	15310
	Seal (R.H.)	13005
	(Speedi-Sleeve) (R.H.)	99121
1992-1990	Stanza:	
	Seal (L.H.)	15312
	Seal (R.H.)	13005
	(Speedi-Sleeve) (R.H.)	99121
1992-1982	Sentra w/3 Spd. Transaxle:	
	Seal	15829
	(Speedi-Sleeve)	99157
1990-1983	Pulsar w/1.6L Eng.:	
	Seal	15829
	(Speedi-Sleeve)	99157

(Continued)

MFG./YEAR	MODEL & LOCATION	PART NO.	MFG./YEAR	MODEL & LOCATION	PART NO.
<b>Transaxle-Automatic (Cont.)</b>			<b>Transaxle-Manual (Cont.)</b>		
<b>Output Shaft (Cont.)</b>			<b>Input Shaft (Cont.)</b>		
1989-1985	Pulsar w/1.8L Eng.; Stanza & Stanza Wgn. w/o 4 W/D:		1981-1976	F10 & 310:	
	Seal (L.H.)	15312		Seal	10930
	Seal (R.H.)	13005		(Speedi-Sleeve)	99111
	(Speedi-Sleeve) (R.H.)	99121	<b>Output Shaft</b>		
1989-1985	Stanza Wgn. w/4 W/D:		1995-1991	Altima & Maxima w/Limited Slip Diff. & High Spd.:	
	Seal (L.H.)	20434		Seal (L.H.)	18000
	(Speedi-Sleeve) (L.H.)	99204		(Speedi-Sleeve) (L.H.)	99181
	Seal (R.H.)	22022		Seal (R.H.)	13005
	(Speedi-Sleeve) (R.H.)	99220		(Speedi-Sleeve) (R.H.)	99121
1985-1981	Stanza & 310:		1995-1991	Sentra & 200SX w/2.0L Eng.:	
	Seal	15829		Seal (L.H.)	12912
	(Speedi-Sleeve)	99157		(Speedi-Sleeve) (L.H.)	99121
				Seal (R.H.)	16594
<b>Shift Shaft</b>			1995-1990	Sentra & 200SX w/1.6L Eng.:	
1995-1994	Maxima:			Seal	15887
	Seal	4710	1995-1986	Altima & Maxima w/o Limited Slip Diff. & High Spd.:	
	(Speedi-Sleeve)	99049		Seal (L.H.)	15372
<b>Transaxle-Manual</b>				Seal (R.H.)	13005
<b>Differential</b>				(Speedi-Sleeve) (R.H.)	99121
1995-1993	Altima w/Limited Slip Diff. & High Spd.:		1990-1983	Pulsar w/1.6L Eng.:	
	Bearing (L.H.)	32009-X		Seal	15829
	Bearing (R.H.)	32013-X		(Speedi-Sleeve)	99157
1995-1991	Maxima From 7/91:		1989-1986	Sentra w/4 W/D:	
	Bearing (R.H.)	BR92		Seal (L.H.)	15887
1995-1990	Sentra & 200SX w/1.6L Eng.:			Seal (R.H.)	20434
	Bearing	32010-X		(Speedi-Sleeve) (R.H.)	99204
1991	Sentra w/2.0L Eng.:		1989-1982	Sentra w/o 4 W/D:	
	Bearing (L.H.)	32010-X		Seal	15829
1990-1986	Stanza:			(Speedi-Sleeve)	99157
	Bearing	32008-X	1988-1986	Stanza Wgn. w/o 4 W/D:	
1990-1985	Maxima Thru 9/90:			Seal	15372
	Bearing	32008-X	1988-1986	Stanza Wgn. w/4 W/D:	
1990-1983	Pulsar w/1.6L Eng.:			Seal (L.H.)	15372
	Bearing	BR30208		Seal (R.H.)	22022
1989-1988	Pulsar w/1.8L Eng.:			(Speedi-Sleeve) (R.H.)	99220
	Bearing (L.H.)	32010-X	1985-1982	Stanza & 310:	
	Bearing (R.H.)	32008-X		Seal	15829
1989-1986	Sentra w/4 W/D:			(Speedi-Sleeve)	99157
	Bearing (L.H.)	32010-X	1981-1976	F10 & 310:	
1989-1986	Stanza Wgn. w/o 4 W/D:			Seal	14772
	Bearing	32008-X		(Speedi-Sleeve)	99147
1989-1986	Stanza Wgn. w/4 W/D:		<b>Transfer Case</b>		
	Bearing (L.H.)	32008-X	<b>Input Shaft</b>		
	Bearing (R.H.)	BR73	1989-1986	Sentra w/4 W/D:	
1989-1982	Sentra w/o 4 W/D:			Seal (L.H.)	23284
	Bearing	BR30208		Seal (R.H.)	15359
1985-1981	Stanza & 310:		1988-1986	Stanza Wgn. w/4 W/D From 7/86:	
	Bearing	BR30208		Seal (L.H.)	23284
1981-1976	F10 & 310:			Seal (R.H.)	15445
	Bearing	6209-J	1986-1985	Stanza Wgn. w/4 W/D Thru 6/86:	
<b>Input Shaft</b>				Seal (L.H.)	23286
1994-1986	Exc. Pulsar w/1.6L Eng. & Sentra:			Seal (R.H.)	15445
	Seal	10927	<b>Pinion</b>		
	(Speedi-Sleeve)	99111	1989-1986	Sentra & Stanza:	
1993-1982	Pulsar w/1.6L Eng. & Sentra:			Bearing (Inner)	BR30306
	Seal	10181		Bearing (Outer)	BR32307
	(Speedi-Sleeve)	99103			(Continued)
1985-1982	Stanza & 310:				
	Seal	10181			
	(Speedi-Sleeve)	99103			

**Nissan Passenger (FWD) -- (Cont.)**

MFG./YEAR	MODEL & LOCATION	PART NO.	MFG./YEAR	MODEL & LOCATION	PART NO.
<b>Transfer Case (Cont.)</b>			<b>Engine (Cont.)</b>		
<b>Rear Output Shaft</b>			<b>Camshaft</b>		
1989-1988	Sentra w/4 W/D From 7/88:		1995-1982	2.0L & 3.0L Engs.:	
	Seal .....	23427		Seal .....	13429
	(Speedi-Sleeve) .....	99235		(Speedi-Sleeve) .....	99134
1988-1986	Sentra w/4 W/D Thru 7/88:		1989-1988	1.8L Eng.:	
	Seal .....	15882		Seal .....	15800
1988-1985	Stanza Wgn. w/4 W/D:			(Speedi-Sleeve) .....	99157
	Seal .....	15882	1989-1983	1.6L Eng.:	
<b>Shift Shaft</b>				Seal .....	15818
1989-1985	Sentra & Stanza Wgn.:			(Speedi-Sleeve) .....	99157
	Seal .....	6408	1987-1983	Sentra w/Diesel Eng.:	
	(Speedi-Sleeve) .....	99058		Seal (Front) .....	13429
<b>Alternator</b>				(Speedi-Sleeve) (Front) .....	99134
1995-1993	Altima w/Hitachi Alt.:			Seal (Rear) .....	14166
	Bearing (Front) .....	AB7		(Speedi-Sleeve) (Rear) .....	99146
1995-1991	Maxima w/3.0L Eng. & DOHC:		1982	310:	
	Bearing (Front) .....	6303-2RSJ		Seal .....	15818
1993-1985	Maxima w/3.0L SOHC Eng.:			(Speedi-Sleeve) .....	99157
	Bearing (Front) .....	6303-2RSJ	<b>Crankshaft-Rear</b>		
1992-1990	Sentra w/Hitachi Alt.:		1995-1990	2.0L & 3.0L Engs.:	
	Bearing (Rear) .....	AB7		Seal .....	33405
1989-1988	Pulsar w/1.8L Eng.:			(Speedi-Sleeve) .....	99331
	Bearing (Front) .....	6303-2RSJ	1995-1990	2.4L Eng.:	
	Bearing (Rear) .....	AB4		Seal .....	31581
1988-1987	Pulsar & Sentra w/1.6L Eng.:			(Speedi-Sleeve) .....	99315
	Bearing (Front) .....	6303-2RSJ	1995-1988	1.6L Eng. From 7/88:	
1988-1986	Stanza w/Hitachi Exc. Wgn.:			Seal .....	33405
	Bearing (Front) .....	6303-2RSJ		(Speedi-Sleeve) .....	99331
	Bearing (Rear) .....	AB7	1989-1988	1.8L Eng.:	
1988-1986	Stanza w/Mitsubishi Exc. Wgn.:			Seal .....	33405
	Bearing (Front) .....	6303-2RSJ		(Speedi-Sleeve) .....	99331
	Bearing (Rear) .....	AB4	1989-1987	1.7L, 2.0L & 3.0L Engs.:	
1986	Pulsar & Stanza Wgn.:			Seal .....	33405
	Bearing (Front) .....	AB9		(Speedi-Sleeve) .....	99331
	Bearing (Rear) .....	6202-2ZJ	1988-1983	1.6L Eng. Thru 7/88:	
1986	Sentra w/o Diesel Eng.:			Seal .....	31511
	Bearing (Front) .....	6303-2RSJ		(Speedi-Sleeve) .....	99317
	Bearing (Rear) .....	AB7	1988-1982	Maxima, Sentra w/Diesel Eng. & Stanza:	
1986	Sentra w/Diesel Eng.:			Seal .....	33405
	Bearing (Front) .....	AB9		(Speedi-Sleeve) .....	99331
1985-1983	Sentra w/Diesel Eng.:		1982	310:	
	Bearing (Front) .....	AB9		Seal .....	31511
	Bearing (Rear) .....	6202-2RSJ		(Speedi-Sleeve) .....	99317
1985-1982	Pulsar, Stanza & 310; Sentra w/o Diesel Eng.:		1981-1976	F10 & 310:	
	Bearing (Front) .....	6203-2RSJ		Seal .....	23446
	Bearing (Rear) .....	6202-2ZJ		(Speedi-Sleeve) .....	99235
1981-1976	F10 & 310:		<b>Timing Belt Tensioner</b>		
	Bearing (Front) .....	6203-2RSJ	1994-1985	Maxima:	
	Bearing (Rear) .....	6201-J		Bearing & Housing Assy. ....	VKM72004
<b>Drive Shaft</b>			1988-1983	1.5L & 1.6L Engs.:	
1988-1986	Stanza XE Wgn. 4 W/D:			Bearing Only .....	VKM72000
	Bearing .....	6206-2RSJ	1988-1983	Stanza:	
	Bearing & Support .....	HB1280-30		Bearing & Housing Assy. ....	VKM72200
<b>Engine</b>			1987-1983	Sentra w/1.7L Eng.:	
<b>Auxiliary/Jack Shaft</b>				Bearing Only .....	VKM72000
1989-1982	Sentra w/o Diesel Eng.:		<b>Timing Belt and Tensioner Kit</b>		
	Seal .....	12752	1994-1993	Maxima w/3.0L Eng.:	
	(Speedi-Sleeve) .....	99128		Belt & Tensioner Kit .....	VKMA92006
			1994-1985	Maxima w/Square Tooth Sprocket:	
				Belt & Tensioner Kit .....	VKMA92004
			(Continued)		

# Passenger cars, light & medium trucks

## (Cont.) -- Nissan Passenger (FWD)

MFG./YEAR	MODEL & LOCATION	PART NO.	MFG./YEAR	MODEL & LOCATION	PART NO.
<b>Engine (Cont.)</b>			<b>Engine (Cont.)</b>		
<b>Timing Belt and Tensioner Kit (Cont.)</b>			<b>Timing Cover (Cont.)</b>		
1989-1982	Stanza w/ 2.0L Eng.:		1981-1979	310:	
	Belt & Tensioner Kit .....	VKMA92210		Seal .....	14720
1988-1982	Pulsar & Sentra:			(Speedi-Sleeve) .....	99147
	Belt & Tensioner Kit .....	VKMA92001	1978-1976	F10:	
<b>Timing Cover</b>				Seal .....	14772
1995-1991	2.0L & 2.4L Engs.:			(Speedi-Sleeve) .....	99147
	Seal .....	17897	<b>Steering-Power</b>		
	(Speedi-Sleeve) .....	99181	<b>Pump Shaft</b>		
1995	Maxima w/3.0L DOHC Eng.:		1993-1986	Maxima:	
	Seal .....	18857		Seal .....	7000
1995-1988	1.6L Eng. From 7/88:		1988-1986	Sentra Exc. Diesel Eng. & Stanza Exc. Wgn.:	
	Seal .....	15801		Seal .....	7000
	(Speedi-Sleeve) .....	99157		Bearing .....	6202-ZJ
1994-1992	Maxima w/3.0L DOHC Eng.:		1986	Sentra w/Diesel Eng.:	
	Seal .....	15803		Bearing .....	6202-ZJ
	(Speedi-Sleeve) .....	99157	1986	Stanza Wgn.:	
1994-1991	Maxima w/3.0L SOHC Eng.:			Bearing .....	6202-ZJ
	Seal .....	12886	1985-1982	Pulsar, Sentra & Stanza:	
	(Speedi-Sleeve) .....	99121		Seal .....	7000
1989-1988	1.8L Eng.:			Bearing .....	6202-ZJ
	Seal .....	15800	<b>Steering-Standard</b>		
	(Speedi-Sleeve) .....	99157	<b>Worm Shaft</b>		
1989-1985	Maxima w/3.0L Eng.:		1988-1986	Sentra:	
	Seal .....	12886		Seal .....	5821
	(Speedi-Sleeve) .....	99121	1986-1976	Exc. Sentra:	
1989-1982	1.7L, 2.0L & 3.0L Engs. Exc. Maxima:			Seal .....	6641
	Seal .....	12886	1985-1982	Sentra:	
	(Speedi-Sleeve) .....	99121		Seal .....	6620
1988-1983	1.6L Eng. Thru 7/88:				
	Seal .....	14008			
	(Speedi-Sleeve) .....	99146			
1987-1983	Sentra w/Diesel Eng.:				
	Seal .....	12886			
	(Speedi-Sleeve) .....	99121			

## Nissan Passenger (RWD)

### Wheel Front

1995-1989	240SX:	
	Sealed Bearing .....	FW123
1995-1989	300ZX From 2/89:	
	Seal .....	22013
	Bearing .....	FW121
1989-1987	300ZX Thru 1/89:	
	Seal .....	17691
	Bearing (Inner) .....	BR6
	(Set Components) .....	LM67048/LM67010
	Bearing (Outer) .....	BR2
	(Set Components) .....	LM11949/LM11910
1988-1987	200SX:	
	Seal .....	17915
	Bearing (Inner) .....	BR6
	(Set Components) .....	LM67048/LM67010
	Bearing (Outer) .....	BR2
	(Set Components) .....	LM11949/LM11910
1986-1984	200SX & 300ZX:	
	Seal .....	17909
	Bearing (Inner) .....	BR6
	(Set Components) .....	LM67048/LM67010
	Bearing (Outer) .....	BR2
	(Set Components) .....	LM11949/LM11910

### Wheel Front (Cont.)

1984-1982	Maxima:	
	Seal .....	17909
	Bearing (Inner) .....	BR6
	(Set Components) .....	LM67048/LM67010
	Bearing (Outer) .....	BR2
	(Set Components) .....	LM11949/LM11910
1983-1970	200SX, 240Z, 260Z, 280Z, 280ZX, 510, 710 & 810:	
	Seal .....	18864
	Bearing (Inner) .....	BR6
	(Set Components) .....	LM67048/LM67010
	Bearing (Outer) .....	BR2
	(Set Components) .....	LM11949/LM11910
1982-1979	210:	
	Seal .....	550228
	Bearing (Inner) .....	BR4
	(Set Components) .....	L44649/L44610
	Bearing (Outer) .....	BR1
	(Set Components) .....	LM11749/LM11710

(Continued)

**Nissan Passenger (RWD) -- (Cont.)**

MFG./YEAR	MODEL & LOCATION	PART NO.	MFG./YEAR	MODEL & LOCATION	PART NO.
<b>Wheel Front (Cont.)</b>			<b>Wheel Rear (Cont.)</b>		
1978-1976	B210:		1989-1987	300ZX Thru 1/89:	
	Seal .....	18864		Seal .....	15902
	Bearing (Inner) .....	BR6		Sealed Bearing (Inner) .....	GRW101
	(Set Components) .....	LM67048/LM67010		Sealed Bearing (Outer) .....	GRW159
	Bearing (Outer) .....	BR2	1988-1986	200SX From 7/86:	
	(Set Components) .....	LM11949/LM11910		Seal .....	15902
1976	610 w/Disc Brks.:			Sealed Bearing (Inner) .....	GRW101
	Bearing (Inner) .....	BR6		Sealed Bearing (Outer) .....	GRW159
	(Set Components) .....	LM67048/LM67010	1986-1984	200SX w/o Turbo From 11/84 Thru 7/86:	
	Bearing (Outer) .....	BR2		Seal .....	550230
	(Set Components) .....	LM11949/LM11910		Sealed Bearing (Inner) .....	GRW101
1976-1974	610:			Sealed Bearing w/Lock Ring (Outer) .....	GRW128-R
	Seal .....	18864	1986-1984	300ZX:	
	Bearing (Inner) .....	BR6		Seal .....	550230
	(Set Components) .....	LM67048/LM67010		Sealed Bearing (Inner) .....	GRW101
	Bearing (Outer) .....	BR2		Bearing (Outer) .....	6207-RSJ
	(Set Components) .....	LM11949/LM11910	1986-1984	200SX w/Turbo Thru 7/86:	
1975-1974	B210:			Seal .....	550230
	Seal .....	550228		Sealed Bearing (Inner) .....	GRW101
	Bearing (Inner) .....	BR4		Sealed Bearing w/Lock Ring (Outer) .....	GRW128-R
	(Set Components) .....	L44649/L44610	1984-1982	Maxima Wgn.:	
	Bearing (Outer) .....	BR1		Seal .....	550232
	(Set Components) .....	LM11749/LM11710		Sealed Bearing w/Lock Ring .....	GRW114-R
1973	610 Sed.:		1984-1981	Maxima Sed. Thru 6/84:	
	Seal .....	550228		Seal .....	550230
	Bearing (Inner) .....	BR4		Sealed Bearing (Inner) .....	GRW101
	(Set Components) .....	L44649/L44610		Sealed Bearing (Outer) .....	GRW125
	Bearing (Outer) .....	BR1	1984-1977	200SX w/o Turbo Thru 11/84:	
	(Set Components) .....	LM11749/LM11710		Seal .....	550232
1973	610 Sta. Wgn.:			Sealed Bearing w/Lock Ring .....	GRW114-R
	Seal .....	550228	1983-1979	280ZX:	
	Bearing (Inner) .....	BR6		Seal .....	550230
	(Set Components) .....	LM67048/LM67010		Sealed Bearing (Inner) .....	GRW101
	Bearing (Outer) .....	BR2		Sealed Bearing (Outer) .....	GRW125
	(Set Components) .....	LM11949/LM11910	1982-1974	210, 510 & 710:	
1973-1971	1200:			Seal .....	550232
	Seal .....	14858		Sealed Bearing w/Lock Ring .....	GRW114-R
	Bearing (Inner) .....	BR30205	1981-1977	810 Wgn.:	
	Bearing (Outer) .....	BR30302		Seal .....	550232
1970-1966	1600 & 2000:			Sealed Bearing w/Lock Ring .....	GRW114-R
	Seal .....	550225	1980-1977	810 Sed.:	
	Bearing (Inner) .....	BR30206		Seal .....	550230
	Bearing (Outer) .....	BR30204		Sealed Bearing (Inner) .....	GRW101
1969-1968	510:			Sealed Bearing (Outer) .....	GRW125
	Seal .....	550228	1978-1974	B210:	
	Bearing (Inner) .....	BR4		Seal .....	550232
	(Set Components) .....	L44649/L44610		Sealed Bearing w/Lock Ring .....	GRW114-R
	Bearing (Outer) .....	BR1	1978-1970	240Z, 260Z & 280Z:	
	(Set Components) .....	LM11749/LM11710		Seal .....	16555
1967-1964	410 & 411:			Bearing (Inner) .....	GRW116
	Seal .....	550225		Bearing (Outer) .....	GRW117
<b>Wheel Rear</b>			1976-1973	610 Sed.:	
1995-1989	240SX:			Seal .....	550230
	Sealed Bearing w/Housing .....	GRW261		Sealed Bearing .....	[2] GRW101
1995-1990	300ZX w/o Twin Turbo From 4/90:		1976-1973	610 Wgn.:	
	Seal .....	22826		Seal .....	550232
	Sealed Bearing w/Housing .....	GRW309		Sealed Bearing w/Lock Ring .....	GRW114-R
1995-1989	300ZX w/Twin Turbo:		1973-1971	1200:	
	Seal .....	25176		Seal .....	550232
1990-1989	300ZX w/o Twin Turbo From 2/89 Thru 3/90:		1973-1968	510 Sed.:	
	Seal .....	22826		Seal .....	550230
	Sealed Bearing w/Housing .....	GRW261		Sealed Bearing .....	[2] GRW101

(Continued)



MFG./YEAR	MODEL & LOCATION	PART NO.	MFG./YEAR	MODEL & LOCATION	PART NO.
<b>Wheel Rear (Cont.)</b>			<b>Pinion (Cont.)</b>		
1973-1968	510 Wgn.:		<b>Rear Axle (Cont.)</b>		
	Seal .....	550232	1984-1982	Maxima Wgn.:	
	Sealed Bearing w/Lock Ring .....	GRW114-R		Seal .....	17782
1970-1962	SPL310, SPL311 & SRL311:			(Speedi-Sleeve) .....	99177
	Seal (Outer) .....	16509		Bearing (Front) .....	BR30306
1967-1964	410 & 411:			Bearing (Rear) .....	BR32307
	Seal (Outer) .....	16509	1984-1981	200SX w/H190 Diff.:	
<b>Axle Shaft</b>				Seal .....	17782
1995	240SX:			(Speedi-Sleeve) .....	99177
	Seal .....	550231		Bearing (Front) .....	BR30306
1995	300ZX:			Bearing (Rear) .....	BR32307
	Seal .....	19635	1983-1979	280ZX w/R180 Diff.:	
<b>Pinion</b>				Seal .....	13978
<b>Rear Axle</b>				(Speedi-Sleeve) .....	99139
1995-1990	240SX From 7/90:			Bearing (Ball) .....	6305-VSP65
	Seal .....	15882		Bearing (Front) .....	BR32305
	Bearing (Rear) .....	BR32306		Bearing (Rear) .....	BR32307
1995-1991	300ZX w/o Twin Turbo From 9/91:		1983-1979	280ZX w/R200 Diff.:	
	Seal .....	15882		Seal .....	15882
	Bearing (Front) .....	BR32306		Bearing (Front) .....	BR32306
	Bearing (Rear) .....	BR67		Bearing (Rear) .....	BR32307
1995-1989	300ZX w/Twin Turbo:		1982-1975	B210 & 210:	
	Seal .....	19687		Seal .....	13972
	(Speedi-Sleeve) .....	99196		(Speedi-Sleeve) .....	99139
1990-1989	240SX w/R200 Diff. Exc. ABS Thru 7/90:			Bearing (Front) .....	30305-C
	Seal .....	15882		Bearing (Rear) .....	BR32206
	Bearing (Rear) .....	BR32307	1981-1977	200SX & 510:	
1990-1989	240SX w/R200 Diff. & ABS Thru 7/90:			Seal .....	13972
	Bearing (Rear) .....	BR32307		(Speedi-Sleeve) .....	99139
1989	300ZX w/R200 Diff. From 2/89:			Bearing (Front) .....	BR32305
	Seal .....	15882		Bearing (Rear) .....	BR32306
	Bearing (Front) .....	BR32306	1981-1977	810 Sed.:	
	Bearing (Rear) .....	BR67		Seal .....	13978
1989-1985	300ZX w/R200 Diff. Thru 1/89:			(Speedi-Sleeve) .....	99139
	Seal .....	15882		Bearing (Ball) .....	6305-VSP65
	Bearing (Front) .....	BR32306		Bearing (Front) .....	BR32305
	Bearing (Rear) .....	BR32307		Bearing (Rear) .....	BR32307
1988-1985	200SX w/R200 Diff. From 8/85:		1981-1977	810 Wgn.:	
	Seal .....	15882		Seal .....	17782
	Bearing (Ball) .....	6305-VSP65		(Speedi-Sleeve) .....	99177
	Bearing (Front) .....	BR32306		Bearing (Front) .....	BR30306
	Bearing (Rear) .....	BR32307		Bearing (Rear) .....	BR32307
1988-1984	200SX w/R180 Diff.:		1978-1977	280Z:	
	Seal .....	13978		Seal .....	13978
	(Speedi-Sleeve) .....	99139		(Speedi-Sleeve) .....	99139
	Bearing (Ball) .....	6305-VSP65		Bearing (Ball) .....	6305-VSP65
	Bearing (Front) .....	BR32305		Bearing (Front) .....	BR32305
	Bearing (Rear) .....	BR32307		Bearing (Rear) .....	BR32307
1985-1983	200SX w/R200 Diff. Thru 7/85:		1977-1974	710:	
	Seal .....	15882		Seal .....	13972
	Bearing (Front) .....	BR32306		(Speedi-Sleeve) .....	99139
	Bearing (Rear) .....	BR32307		Bearing (Front) .....	BR32305
1984	300ZX w/R200 Diff.:			Bearing (Rear) .....	BR32306
	Seal .....	15882	1976-1975	280Z:	
	Bearing (Front) .....	BR32306		Seal .....	15882
	Bearing (Rear) .....	BR32307		Bearing (Front) .....	BR32306
1984-1982	Maxima Sed.:			Bearing (Rear) .....	BR32307
	Seal .....	13978	1976-1974	610 Wgn.:	
	(Speedi-Sleeve) .....	99139		Seal .....	17782
	Bearing (Ball) .....	6305-VSP65		(Speedi-Sleeve) .....	99177
	Bearing (Front) .....	BR32305		Bearing (Front) .....	BR30306
	Bearing (Rear) .....	BR32307		Bearing (Rear) .....	BR32307

(Continued)

**Nissan Passenger (RWD) -- (Cont.)**

MFG./YEAR	MODEL & LOCATION	PART NO.	MFG./YEAR	MODEL & LOCATION	PART NO.
<b>Pinion (Cont.)</b>			<b>Differential (Cont.)</b>		
<b>Rear Axle (Cont.)</b>			<b>Rear Axle (Cont.)</b>		
<b>1976-1973 610 Sed.:</b>			<b>1983-1979 280ZX w/R200 Diff.:</b>		
Seal		13978	Seal		550231
(Speedi-Sleeve)		99139	(Speedi-Sleeve)		99139
Bearing (Ball)		6305-VSP65	<b>1982-1971 B210, 210 &amp; 1200:</b>		
Bearing (Front)		BR32305	Bearing		BR30206
Bearing (Rear)		BR32306	<b>1981-1977 200SX &amp; 510:</b>		
<b>1974 260Z:</b>			Bearing		BR30207
Seal		13978	<b>1978-1977 280Z:</b>		
(Speedi-Sleeve)		99139	Seal		550224
Bearing (Ball)		6305-VSP65	Bearing		BR30208
Bearing (Front)		BR32305	<b>1977-1974 710:</b>		
Bearing (Rear)		BR32307	Bearing		BR30207
<b>1974-1971 B210 &amp; 1200:</b>			<b>1976-1975 280Z:</b>		
Bearing (Rear)		BR32206	Seal		550231
<b>1973 610 Wgn.:</b>			(Speedi-Sleeve)		99139
Seal		13972	<b>1976-1974 610 Wgn.:</b>		
(Speedi-Sleeve)		99139	Bearing		BR30208
Bearing (Front)		BR32305	<b>1976-1973 610 Sed.:</b>		
Bearing (Rear)		BR32306	Seal		550224
<b>1973-1970 240Z:</b>			Bearing		BR30208
Seal		13978	<b>1974-1970 240Z &amp; 260Z:</b>		
(Speedi-Sleeve)		99139	Seal		550224
Bearing (Ball)		6305-VSP65	Bearing		BR30208
Bearing (Front)		BR32305	<b>1973 610 Wgn.:</b>		
Bearing (Rear)		BR32307	Bearing		BR30207
<b>1973-1968 510 Sed.:</b>			<b>1973-1968 510:</b>		
Bearing (Front)		BR32305	Seal		550224
Bearing (Rear)		BR32306	Bearing		BR30208
<b>1973-1968 510 Wgn.:</b>			<b>1970-1967 2000 &amp; 411 w/1.6L Eng.:</b>		
Seal		17782	Bearing		BR30208
(Speedi-Sleeve)		99177	<b>1967-1964 410 &amp; 411 Exc. 1.6L Eng.:</b>		
Bearing (Front)		BR30306	Bearing		BR30207
Bearing (Rear)		BR32307			
<b>1970-1967 2000:</b>			<b>Clutch</b>		
Bearing (Front)		BR30306	<b>Pilot</b>		
<b>Differential</b>			<b>1995-1989 Auto. Trans.:</b>		
<b>Rear Axle</b>			Bearing (Bushing)		
<b>1995-1989 240SX w/R200 Diff.:</b>			B22		
Seal		550231	<b>1995-1984 w/o Auto. Trans.:</b>		
(Speedi-Sleeve)		99139	Bearing (Bushing)		
<b>1995-1989 300ZX w/R230 Diff.:</b>			B22		
Seal		19635	<b>Release</b>		
<b>1995-1984 300ZX w/R200 Diff.:</b>			<b>1995-1994 240SX w/2.4L DOHC Eng. From 2/94:</b>		
Seal		550231	Bearing Only		
(Speedi-Sleeve)		99139	N2106		
<b>1988-1984 200SX w/R180 Diff.:</b>			Bearing Assembly		
Seal		550231	N3051		
(Speedi-Sleeve)		99139	<b>1995-1990 300ZX:</b>		
Bearing		BR30208	Bearing Only		
<b>1988-1983 200SX w/R200 Diff.:</b>			N3565		
Seal		550231	<b>1994-1991 240SX w/2.4L DOHC Eng. From 8/90 Thru 1/94:</b>		
(Speedi-Sleeve)		99139	Bearing Only		
Bearing		BR30208	N3565		
<b>1988-1983 200SX w/R200 Diff.:</b>			Bearing Assembly		
Seal		550231	N3051		
(Speedi-Sleeve)		99139	<b>1990 240SX w/2.4L SOHC Eng. From 8/90:</b>		
<b>1984-1981 200SX w/H190 Diff.:</b>			Bearing Only		
Bearing		BR30208	N3565		
<b>1984-1977 Maxima &amp; 810:</b>			<b>1990-1989 240SX From 7/88 Thru 7/90:</b>		
Seal		550224	Bearing Only		
Bearing		BR30208	N2106		
<b>1983-1979 280ZX w/R180 Diff.:</b>			Bearing Assembly		
Seal		550224	N3051		
Bearing		BR30208	<b>1989-1986 300ZX w/Turbo:</b>		
			Bearing Only		
			N2106		
			<b>1989-1984 300ZX w/o Turbo:</b>		
			Bearing Only		
			N2106		
			Bearing Assembly		
			N3051		

(Continued)

# Passenger cars, light & medium trucks

(Cont.) -- Nissan Passenger (RWD)

MFG./YEAR	MODEL & LOCATION	PART NO.	MFG./YEAR	MODEL & LOCATION	PART NO.
<b>Clutch (Cont.)</b>			<b>Transmission-Automatic</b>		
<b>Release (Cont.)</b>			<b>Front Pump</b>		
1988-1987 200SX w/V6 Eng.:			1995-1989 240SX & 300ZX:		
	Bearing Only .....	N2106		Seal .....	17679
	Bearing Assembly .....	N3051	1988-1968 All:		
1988-1983 200SX w/o V6 Eng.:				Seal .....	16489
	Bearing Only .....	N2106	<b>Rear</b>		
1986-1984 300ZX w/Turbo:			1995-1991 300ZX Exc. Twin Turbo From 1/91:		
	Bearing Only .....	N2106		Seal .....	14915
	Bearing Assembly .....	N3052	1995-1990 240SX:		
1984-1977 Maxima w/o Diesel Eng.: 810:				Seal .....	14703
	Bearing Only .....	N2106		(Speedi-Sleeve) .....	99147
	Bearing Assembly .....	N3052	1995-1989 300ZX w/Twin Turbo:		
1983-1981 Maxima w/Diesel Eng.:				Seal .....	16511
	Bearing Only .....	N2106		(Speedi-Sleeve) .....	99169
	Bearing Assembly .....	N3052	1991-1989 300ZX w/o Twin Turbo Thru 1/91:		
1983-1981 200SX From 7/81 Thru 5/83:				Seal .....	14703
	Bearing Only .....	N2106		(Speedi-Sleeve) .....	99147
	Bearing Assembly .....	N3052	1989-1984 200SX, 240SX & 300ZX:		
1983-1975 280Z & 280ZX Exc. 2+2:				Seal .....	14703
	Bearing Only .....	N2106		(Speedi-Sleeve) .....	99147
	Bearing Assembly .....	N3052	1984-1983 Maxima From 5/83:		
1983-1975 280Z & 280ZX w/2+2:				Seal .....	14703
	Bearing Only .....	N2106		(Speedi-Sleeve) .....	99147
	Bearing Assembly .....	N3051	1983-1981 Maxima Thru 4/83:		
1982-1979 210:				Seal .....	13907
	Bearing Only .....	N2106		(Speedi-Sleeve) .....	99139
	Bearing Assembly .....	N3048	1983-1968 Exc. Maxima:		
1981-1978 510:				Seal .....	13907
	Bearing Only .....	N2106		(Speedi-Sleeve) .....	99139
	Bearing Assembly .....	N3051	<b>Transmission-Manual</b>		
1981-1977 200SX Thru 6/81:			<b>Countershaft</b>		
	Bearing Only .....	N2106	1973-1971 1200:		
	Bearing Assembly .....	N3051		Bearing (Front) .....	6203-J
1978-1975 B210 w/4 Spd. Trans.:			1970-1967 2000:		
	Bearing Only .....	N2106		Bearing (Front) .....	6304-J
	Bearing Assembly .....	N3048		Bearing (Center) .....	6205-J
1977-1974 610 & 710:				Bearing (Rear) .....	6204-J
	Bearing Only .....	N2106	<b>Front</b>		
	Bearing Assembly .....	N3052	1995-1989 240SX:		
1974 B210:				Seal .....	11615
	Bearing Only .....	N2106		(Speedi-Sleeve) .....	99114
1974-1970 240Z & 260Z:			1995-1986 300ZX w/Turbo From 9/86:		
	Bearing Only .....	N2106		Seal .....	11615
1973 610:				(Speedi-Sleeve) .....	99114
	Bearing Only .....	N1723	1995-1984 300ZX w/o Turbo From 7/83:		
1973-1971 1200:				Seal .....	11615
	Bearing Only .....	N2106		(Speedi-Sleeve) .....	99114
	Bearing Assembly .....	N3048	1988-1981 200SX From 7/81:		
1973-1968 510 w/L13 Eng.:				Seal .....	11615
	Bearing Only .....	N1722		(Speedi-Sleeve) .....	99114
1973-1968 510 w/L14 & L16 Eng.:			1986-1984 300ZX w/Turbo Thru 9/86:		
	Bearing Only .....	N1723		Seal .....	12363
1970-1967 2000 From 10/67:				(Speedi-Sleeve) .....	99125
	Bearing Only .....	N1723	1984-1970 Maxima, 240Z, 260Z, 280Z & 810:		
1970-1966 1600:				Seal .....	11615
	Bearing Only .....	N1723		(Speedi-Sleeve) .....	99114
1967-1964 410 & 411:			1983-1982 280ZX:		
	Bearing Only .....	N1722		Seal .....	12363
				(Speedi-Sleeve) .....	99125

(Continued)

**Nissan Passenger (RWD) -- (Cont.)**

MFG./YEAR	MODEL & LOCATION	PART NO.	MFG./YEAR	MODEL & LOCATION	PART NO.
<b>Transmission-Manual (Cont.)</b>			<b>Transmission-Manual (Cont.)</b>		
<b>Front (Cont.)</b>			<b>Rear (Cont.)</b>		
1982-1979	210 w/4 Spd. Trans. & A12 Eng.:		1986-1984	300ZX w/Turbo Thru 9/86:	
	Seal .....	9725		Seal .....	14722
	(Speedi-Sleeve) .....	99098		(Speedi-Sleeve) .....	99147
	Bearing .....	6305-J	1985-1984	300ZX w/o Turbo Thru 2/85:	
1982-1979	210 w/4 & 5 Spd. Trans. w/ A14 & A15 Engs.:			Seal .....	13850
	Seal .....	11615		Bearing .....	6306-J
	(Speedi-Sleeve) .....	99114	1984-1968	Maxima, 510, 610, 710 & 810:	
1981-1979	280ZX:			Seal .....	13907
	Seal .....	11615		(Speedi-Sleeve) .....	99139
	(Speedi-Sleeve) .....	99114		Bearing .....	6306-J
1981-1978	510 w/4 Spd. & 5 Spd. Trans.:		1983-1982	280ZX:	
	Seal .....	13907		Seal .....	13958
	(Speedi-Sleeve) .....	99139		(Speedi-Sleeve) .....	99139
	Bearing .....	6207-J		Bearing .....	6306-J
1981-1977	200SX Thru 6/81:		1982-1979	210:	
	Seal .....	13907		Seal .....	11619
	(Speedi-Sleeve) .....	99139		(Speedi-Sleeve) .....	99114
1978-1976	B210 w/5 Spd. Trans.:		1981-1979	280ZX:	
	Seal .....	13907		Seal .....	13907
	(Speedi-Sleeve) .....	99139		(Speedi-Sleeve) .....	99139
1978-1975	B210 w/4 Spd. Trans.:			Bearing .....	6306-J
	Seal .....	11615	1978-1976	B210 w/5 Spd. Trans.:	
	(Speedi-Sleeve) .....	99114		Seal .....	13907
	Bearing .....	6305-J		(Speedi-Sleeve) .....	99139
1977-1973	610 & 710 w/4 Spd. Trans.:		1978-1974	B210 w/4 Spd. Trans.:	
	Seal .....	13907		Seal .....	11619
	(Speedi-Sleeve) .....	99139		(Speedi-Sleeve) .....	99114
	Bearing .....	6207-J	1973	1200:	
1974	B210 w/4 Spd. Trans.:			Seal .....	11619
	Seal .....	9725		(Speedi-Sleeve) .....	99114
	(Speedi-Sleeve) .....	99098	1972-1971	1200:	
	Bearing .....	6305-J		Seal .....	11618
1973-1971	1200:			(Speedi-Sleeve) .....	99114
	Seal .....	9725	1970-1967	2000:	
	(Speedi-Sleeve) .....	99098		Bearing .....	6205-J
	Bearing .....	6305-J	1970-1966	1600:	
1973-1968	510:			Bearing .....	6306-J
	Seal .....	13907	<b>Alternator</b>		
	(Speedi-Sleeve) .....	99139	1993-1989	300ZX w/Hitachi Alt.:	
	Bearing .....	6207-J		Bearing (Front) .....	6203-2RSJ
1970-1967	2000:		1993-1989	300ZX w/Mitsubishi Alt.:	
	Bearing .....	6306-NJ		Bearing (Front) .....	AB10
1970-1966	1600:		1988-1987	300ZX w/Mitsubishi Alt.:	
	Bearing .....	6207-J		Bearing (Front) .....	AB10
<b>Rear</b>			1988-1987	200SX w/o 2.0L Eng.:	
1995-1989	240SX:			Bearing (Front) .....	6302-2RSJ
	Seal .....	13907	1988-1987	200SX w/2.0L Eng.:	
	(Speedi-Sleeve) .....	99139		Bearing (Front) .....	6303-2RSJ
1995-1990	300ZX w/o Turbo:			Bearing (Rear) .....	AB7
	Seal .....	16511	1986-1985	200SX w/Turbo:	
	(Speedi-Sleeve) .....	99169		Bearing (Front) .....	6302-2RSJ
1995-1986	300ZX w/Turbo From 9/86:		1986-1985	300ZX w/Mitsubishi Alt.:	
	Seal .....	16511		Bearing (Front) .....	6302-2RSJ
	(Speedi-Sleeve) .....	99169	1986-1984	300ZX w/Hitachi Alt.:	
1989-1985	300ZX w/o Turbo From 2/85:			Bearing (Front) .....	6302-2RSJ
	Seal .....	13907	1986-1980	200SX w/o Turbo:	
	(Speedi-Sleeve) .....	99139		Bearing (Front) .....	AB9
1988-1977	200SX:			Bearing (Rear) .....	6202-2ZJ
	Seal .....	13907	1984	200SX w/Turbo:	
	(Speedi-Sleeve) .....	99139		Bearing (Front) .....	6202-2RSJ

(Continued)

MFG./YEAR	MODEL & LOCATION	PART NO.	MFG./YEAR	MODEL & LOCATION	PART NO.
<b>Alternator (Cont.)</b>			<b>Engine (Cont.)</b>		
1984	300ZX w/Mitsubishi Alt.:		<b>Crankshaft-Rear (Cont.)</b>		
	Bearing (Front) .....	6202-2RSJ	1984-1968	Maxima, 280ZX, 510, 610 & 710:	
1984-1979	Maxima w/o Diesel Eng.; 280ZX:			Seal .....	31511
	Bearing (Front) .....	AB9		(Speedi-Sleeve) .....	99317
	Bearing (Rear) .....	6202-2ZJ	1983-1977	200SX:	
1983-1981	Maxima w/Diesel Eng.:			Seal .....	31511
	Bearing (Front) .....	AB9		(Speedi-Sleeve) .....	99317
	Bearing (Rear) .....	6202-2RSJ	1982-1979	210:	
1982-1975	B210, 210 & 810 w/Hitachi:			Seal .....	23446
	Bearing (Front) .....	6203-2RSJ		(Speedi-Sleeve) .....	99235
1981-1970	510 & 610:		1980-1970	240Z, 260Z, 280Z & 810:	
	Bearing (Front) .....	AB9		Seal .....	31511
	Bearing (Rear) .....	6202-2ZJ		(Speedi-Sleeve) .....	99317
1980-1977	810 w/Mitsubishi:		1978-1974	B210 w/1.3L & 1.4L Eng.:	
	Bearing (Front) .....	6302-2RSJ		Seal .....	23446
	Bearing (Rear) .....	6201-2ZJ		(Speedi-Sleeve) .....	99235
1979-1977	200SX:		1973-1971	1200:	
	Bearing (Front) .....	AB9		Seal .....	23446
1978-1970	240Z, 260Z, 280Z & 710:			(Speedi-Sleeve) .....	99235
	Bearing (Front) .....	6203-2RSJ	<b>Timing Belt Idler</b>		
1974-1971	B210 & 1200:		1995-1990	300ZX:	
	Bearing (Front) .....	6202-2ZJ		Bearing & Housing Assy. (Upper) .....	VKM82501
1969-1968	510:			Bearing & Housing Assy. (Lower) .....	VKM82001
	Bearing .....	[2] 6202-2ZJ	<b>Timing Belt Tensioner</b>		
<b>Drive Shaft</b>			1989-1984	300ZX:	
1994-1985	Maxima, 200SX, 240SX, 610 & 810:			Bearing & Housing Assy. .....	VKM72004
	Bearing & Support .....	HB1280-30	1988-1987	200SX w/V6 Eng.:	
1983-1980	200SX:			Bearing & Housing Assy. .....	VKM72004
	Bearing Only .....	6206-2RSJ	1988-1984	200SX w/2.0L Eng.:	
1981-1980	810:			Bearing & Housing Assy. .....	VKM72000
	Bearing & Support .....	HB1750-10	<b>Timing Belt and Tensioner Kit</b>		
<b>Engine</b>			1989-1984	300ZX:	
<b>Camshaft</b>				Belt & Tensioner Kit .....	VKMA92004
1995-1989	300ZX From 2/89:		1988	200SX w/2.0L Eng.:	
	Seal .....	15800		Belt & Tensioner Kit .....	VKMA92210
	(Speedi-Sleeve) .....	99157	1987-1984	200SX w/2.0L Eng.:	
1989-1983	200SX; 300ZX Thru 1/89:			Belt & Tensioner Kit .....	VKMA92511
	Seal .....	13429	<b>Timing Cover</b>		
	(Speedi-Sleeve) .....	99134	1995-1989	240SX:	
<b>Crankshaft-Rear</b>				Seal .....	17897
1995-1992	240SX w/2.4L DOHC Eng.:			(Speedi-Sleeve) .....	99181
	Seal .....	31581	1995-1989	300ZX From 2/89:	
	(Speedi-Sleeve) .....	99315		Seal .....	15800
1995-1989	300ZX From 2/89:			(Speedi-Sleeve) .....	99157
	Seal .....	33405	1989-1984	300ZX Thru 1/89:	
	(Speedi-Sleeve) .....	99332		Seal .....	12886
1991-1989	240SX From 7/89:			(Speedi-Sleeve) .....	99121
	Seal .....	31581	1988-1984	200SX:	
	(Speedi-Sleeve) .....	99315		Seal .....	12886
1989	240SX Thru 7/89:			(Speedi-Sleeve) .....	99121
	Seal .....	31581	1984-1977	Maxima & 810:	
	(Speedi-Sleeve) .....	99315		Seal .....	18970
1989-1984	300ZX Thru 1/89:			(Speedi-Sleeve) .....	99189
	Seal .....	33405	1983-1977	200SX:	
	(Speedi-Sleeve) .....	99332		Seal .....	18970
1988-1987	200SX w/V6 Eng.:			(Speedi-Sleeve) .....	99189
	Seal .....	33405	1983-1968	240Z, 260Z, 280Z, 280ZX, 510, 610 & 710:	
	(Speedi-Sleeve) .....	99332		Seal .....	18970
1988-1984	200SX w/o V6 Eng.:			(Speedi-Sleeve) .....	99189
	Seal .....	33405			(Continued)
	(Speedi-Sleeve) .....	99332			

**Nissan Passenger (RWD) -- (Cont.)**

MFG./YEAR	MODEL & LOCATION	PART NO.	MFG./YEAR	MODEL & LOCATION	PART NO.
<b>Engine (Cont.)</b>			<b>Steering-Standard</b>		
<b>Timing Cover (Cont.)</b>			<b>Pitman Shaft</b>		
<b>1982-1979 210:</b>			<b>1983-1977 200SX:</b>		
Seal .....		14720	Seal .....		10181
(Speedi-Sleeve) .....		99147	<b>1982-1974 B210 &amp; 210:</b>		
<b>1978-1974 B210:</b>			Seal .....		9500
Seal .....		14772	<b>1981-1973 510, 610, 710 &amp; 810:</b>		
(Speedi-Sleeve) .....		99147	Seal .....		10181
<b>1973-1971 1200:</b>			<b>1973-1971 1200:</b>		
Seal .....		14720	Seal .....		10173
(Speedi-Sleeve) .....		99147	<b>1972-1968 510:</b>		
<b>1970-1963 SRL311:</b>			Seal .....		9500
Seal .....		18970	<b>Worm Shaft</b>		
(Speedi-Sleeve) .....		99189	<b>1988-1984 200SX:</b>		
<b>Generator</b>			Seal .....		6620
<b>1964-1961 312 Exc. Bluebird &amp; P312:</b>			<b>1984-1979 Maxima &amp; 280ZX:</b>		
Bearing (Front) .....		6202-J	Seal .....		6641
Bearing (Rear) .....		6201-2ZJ	<b>1983-1980 200SX:</b>		
<b>Steering-Power</b>			Seal .....		6630
<b>Pump Shaft</b>			<b>1981-1979 510 From 6/79:</b>		
<b>1984-1981 Maxima w/o Diesel Eng.:</b>			Seal .....		6630
Seal .....		6630	<b>1979-1978 510 Thru 5/79:</b>		
Bearing .....		6002-2ZJ	Seal .....		6641
<b>1983-1981 Maxima w/Diesel Eng.:</b>			<b>1978-1974 260Z &amp; 280Z:</b>		
Seal .....		7000	Seal .....		5810
Bearing .....		6202-J	<b>1973-1970 240Z:</b>		
<b>1983-1980 200SX &amp; 280ZX:</b>			Seal .....		6641
Seal .....		7000			
Bearing .....		6202-ZJ			
<b>1979 280ZX:</b>					
Seal .....		6630			

**Nissan Axxess, Quest**

<b>Wheel Front</b>		<b>Pinion</b>	
<b>1995-1993 Quest:</b>		<b>Front Axle</b>	
Bearing .....	FW154	<b>1992-1990 Axxess:</b>	
C-Clip .....	CIR154	Bearing (Front) .....	BR32307
<b>1992-1991 Axxess:</b>		Bearing (Rear) .....	BR30306
Seal .....	22013	<b>Rear Axle</b>	
Bearing .....	FW119	<b>1992-1990 Axxess:</b>	
<b>1990 Axxess:</b>		Seal .....	13978
Seal .....	22125	(Speedi-Sleeve) .....	99139
Bearing .....	FW119	Bearing (Ball) .....	6305-VSP65
<b>Wheel Rear</b>		Bearing (Front) .....	BR32305
<b>1995-1993 Quest:</b>		Bearing (Rear) .....	BR32307
Sealed Bearing .....	GRW209	<b>Differential</b>	
<b>1992-1991 Axxess w/4 W/D:</b>		<b>Front Axle</b>	
Seal .....	22013	<b>1995-1993 Quest:</b>	
Bearing .....	FW119	Bearing .....	32009-X
<b>1991-1990 Axxess w/o 4 W/D:</b>		<b>1992-1990 Axxess w/Man. Transaxle w/o 4 W/D:</b>	
Hub Assembly .....	BR930130	Bearing .....	32008-X
<b>1990 Axxess w/4 W/D:</b>		<b>1992-1990 Axxess w/Auto. Transaxle &amp; 4 W/D:</b>	
Seal .....	22125	Bearing (L.H.) .....	BR73
Bearing .....	FW119	Bearing (R.H.) .....	32013-X
		<b>1992-1990 Axxess w/Auto Transaxle w/o 4 W/D:</b>	
		Bearing (L.H.) .....	BR30208
		(Continued)	

MFG./YEAR	MODEL & LOCATION	PART NO.	MFG./YEAR	MODEL & LOCATION	PART NO.
<b>Differential (Cont.)</b>			<b>Transfer Case (Cont.)</b>		
<b>Rear Axle</b>			<b>Rear Output Shaft</b>		
1992-1990 Axxess w/R180 Diff.:			1992-1990 Axxess:		
	Seal .....	550224		Seal .....	15882
	Bearing .....	BR30208		Bearing .....	6208-J
<b>Clutch</b>			<b>Alternator</b>		
<b>Release</b>			1995-1993 Quest w/Mitsubishi Alt.:		
1992-1990 Axxess w/o 4 W/D:			Bearing (Front) .....		
	Bearing Assembly .....	N4098	6303-2RSJ		
1992-1990 Axxess w/4 W/D:			<b>Engine</b>		
	Bearing Assembly .....	N4029	<b>Camshaft</b>		
<b>Transaxle-Automatic</b>			1995-1993 Quest w/3.0L & 3.3L Engs.:		
<b>Front Pump</b>			Seal .....		
1995-1993 Quest:			(Speedi-Sleeve) .....		
	Seal .....	17134	13429		
1992-1990 Axxess:			99134		
	Seal .....	17679	<b>Crankshaft-Rear</b>		
<b>Output Shaft</b>			1995-1993 Quest w/3.0L Eng.:		
1995-1993 Quest:			Seal .....		
	Seal (L.H.) .....	15372	(Speedi-Sleeve) .....		
	Seal (R.H.) .....	13005	33405		
	(Speedi-Sleeve) (R.H.) .....	99121	99331		
1992-1990 Axxess w/o 4 W/D:			1992-1990 Axxess w/2.4L Eng. From 4/90:		
	Seal (L.H.) .....	15312	Seal .....		
	Seal (R.H.) .....	13005	(Speedi-Sleeve) .....		
	(Speedi-Sleeve) (R.H.) .....	99121	31581		
1992-1990 Axxess w/4 W/D:			99315		
	Seal .....	23436	1990 Axxess w/2.4L Eng. Thru 3/90:		
	(Speedi-Sleeve) .....	99235	Seal .....		
<b>Transaxle-Manual</b>			(Speedi-Sleeve) .....		
<b>Input Shaft</b>			99315		
1992-1990 Axxess:			<b>Timing Belt Tensioner</b>		
	Seal .....	10927	1995-1993 Quest:		
	(Speedi-Sleeve) .....	99111	Bearing & Housing Assy. ....		
<b>Output Shaft</b>			VKM72004		
1992-1990 Axxess w/o 4 W/D:			<b>Timing Belt and Tensioner Kit</b>		
	Seal (L.H.) .....	13005	1995 Quest:		
	(Speedi-Sleeve) (L.H.) .....	99121	Belt & Tensioner Kit .....		
	Seal (R.H.) .....	15372	VKMA92006		
1992-1990 Axxess w/4 W/D:			1994-1993 Quest w/Square Tooth Sprocket:		
	Seal .....	23436	Belt & Tensioner Kit .....		
	(Speedi-Sleeve) .....	99235	VKMA92004		
<b>Transfer Case</b>			<b>Timing Cover</b>		
<b>Input Shaft</b>			1995-1993 Quest w/3.0L Eng.:		
1992-1990 Axxess:			Seal .....		
	Seal (L.H.) .....	15353	(Speedi-Sleeve) .....		
	Seal (R.H.) .....	16054	12886		
	(Speedi-Sleeve) (R.H.) .....	99162	99121		
			1992-1990 Axxess w/2.4L Eng.:		
			Seal .....		
			(Speedi-Sleeve) .....		
			17897		
			99181		
			<b>Steering-Power</b>		
			<b>Pump Shaft</b>		
			1995-1993 Quest:		
			Seal .....		
			7920		

**Nissan (Canadian Models) Micra, Multi Wagon**

<b>Wheel Front</b>		
1990-1989 Micra:		
	Bearing .....	FW31
1988-1987 Multi Wgn. w/A.W.D.:		
	Seal .....	22022
	Bearing .....	FW176

<b>Wheel Front (Cont.)</b>		
1988-1986 Multi Wgn. w/o A.W.D.:		
	Seal (Inner) .....	22018
	Seal (Outer) .....	22022
	Bearing .....	FW176
(Continued)		

**Nissan (Canadian Models) Micra, Multi Wagon -- (Cont.)**

MFG./YEAR	MODEL & LOCATION	PART NO.	MFG./YEAR	MODEL & LOCATION	PART NO.
<b>Wheel Front (Cont.)</b>			<b>Transaxle-Automatic (Cont.)</b>		
1988-1985 Micra:			<b>Torque Converter</b>		
	Bearing .....	[2] BR13	1988-1986 RL4F02A Trans.:		
	(Set Components) .....	L68149/L68110		Seal .....	18014
<b>Wheel Rear</b>				(Speedi-Sleeve) .....	99181
1988-1987 Multi Wgn. w/A.W.D.:			<b>Transaxle-Manual</b>		
	Seal .....	22022	<b>Differential</b>		
	Bearing Assembly .....	FW176	1991-1984 RS5F41A Trans.:		
1988-1986 Multi Wgn. w/o A.W.D.:				Bearing .....	[2] BR6
	Seal .....	16892		(Set Components) .....	LM67048/LM67010
	Bearing (Inner) .....	GRW148	1988-1986 RS5F50A Trans.:		
	Bearing (Outer) .....	BR2		Bearing .....	[2] 32008-X
	(Set Components) .....	LM11949/LM11910	<b>Input Shaft</b>		
1988-1985 Micra:			1991-1984 RS5F41A Trans.:		
	Bearing (Inner) .....	BR4		Seal .....	7915
	(Set Components) .....	L44649/L44610		(Speedi-Sleeve) .....	99078
	Bearing (Outer) .....	BR2	1988-1986 RS5F50A Trans.:		
	(Set Components) .....	LM11949/LM11910		Seal .....	10494
<b>Pinion</b>				(Speedi-Sleeve) .....	99111
1988-1986 R180 Axle:			<b>Output Shaft</b>		
	Seal .....	13971	1991-1984 RS5F41A Trans.:		
	(Speedi-Sleeve) .....	99139		Seal .....	14732
	Bearing (Front) .....	BR30205		(Speedi-Sleeve) .....	99147
	Bearing (Rear) .....	BR30207	1988-1986 RS5F50A Trans. w/2 W/D:		
	Bearing (Pilot) .....	6305-VSP65		Seal (L.H.) .....	15372
<b>Differential</b>				Seal (R.H.) .....	13005
<b>Rear Axle</b>				Bearing (L.H.) .....	BR32206
1988-1986 R180 Axle:				Bearing (R.H.) .....	BR30306
	Seal .....	12748	1988-1986 RS5F50A Trans. w/A.W.D.:		
	(Speedi-Sleeve) .....	99128		Seal (R.H.) .....	23436
	Bearing (Side) .....	[2] BR30208		(Speedi-Sleeve) (R.H.) .....	99235
<b>Clutch</b>				Bearing (L.H.) .....	BR32206
<b>Release</b>				Bearing (R.H.) .....	BR30306
1988-1986 2.0L Eng.:			<b>Transfer Case</b>		
	Bearing Assembly .....	N4028	<b>Input Shaft</b>		
<b>Transaxle-Automatic</b>			1988-1986 TY10:		
<b>Differential</b>				Seal .....	15445
1988-1986 RL4F02A Trans.:			<b>Rear Output Shaft</b>		
	Bearing (L.H.) .....	32013-X	1988-1986 TY10:		
	Bearing (R.H.) .....	BR30208		Seal .....	3103
<b>Front Pump</b>			<b>Shift Shaft</b>		
1988-1986 RL4F02A Trans.:			1988-1986 TY10:		
	Seal .....	18014		Seal .....	6408
	(Speedi-Sleeve) .....	99181		(Speedi-Sleeve) .....	99058
<b>Idler Shaft</b>			<b>Alternator</b>		
1988-1986 RL4F02A Trans.:			1988-1987 Hitachi 70, 80 & 90 Amp.:		
	Bearing .....	[2] 32008-X		Bearing (Front) .....	6303-2RSJ
<b>Output Shaft</b>			1988-1987 Mitsubishi 70 Amp.:		
1988-1986 RL4F02A Trans. w/2 W/D:				Bearing (Front) .....	6302-2RSJ
	Seal (L.H.) .....	15312	1988-1986 Hitachi 50 & 60 Amp.:		
	Seal (R.H.) .....	13005		Bearing (Front) .....	6203-2RSJ
1988-1986 RL4F02A Trans. w/A.W.D.:				Bearing (Rear) .....	6202-2ZJ
	Seal (L.H.) .....	15372	<b>Drive Shaft</b>		
	Seal (R.H.) .....	22022	1988-1986 Model 3S63A w/1.181" Brg. I.D.:		
	(Speedi-Sleeve) (R.H.) .....	99220		Bearing .....	6206-2RSJ
				Bearing & Support .....	HB1280-30
					(Continued)



# Passenger cars, light & medium trucks

## (Cont.) -- Nissan (Canadian Models) Micra, Multi Wagon

MFG./YEAR	MODEL & LOCATION	PART NO.	MFG./YEAR	MODEL & LOCATION	PART NO.
<b>Engine</b>			<b>Steering-Power</b>		
<b>Camshaft</b>			<b>Pump Shaft</b>		
<b>1991-1984 1.2L Eng.:</b>			<b>1988-1986 Multi Wgn.:</b>		
	Seal .....	14710		Seal .....	7000
	(Speedi-Sleeve) .....	99147			
<b>1988-1986 2.0L Eng.:</b>					
	Seal .....	13429			
	(Speedi-Sleeve) .....	99134			
<b>Timing Cover</b>					
<b>1991-1984 1.2L Eng.:</b>					
	Seal .....	14710			
	(Speedi-Sleeve) .....	99147			
<b>1988-1986 2.0L Eng.:</b>					
	Seal .....	12886			
	(Speedi-Sleeve) .....	99121			

### Nissan Truck

#### Wheel Front (2 W/D)

<b>1995-1990 Pathfinder:</b>	
Seal .....	22230
Bearing (Inner) .....	BR37
(Set Components) .....	LM603049/LM603011
Bearing (Outer) .....	LM300849/LM300811
<b>1995-1986 Hardbody Pickup:</b>	
Seal .....	21045
Bearing (Inner) .....	BR5
(Set Components) .....	LM48548/LM48510
Bearing (Outer) .....	BR3
(Set Components) .....	M12649/M12610
<b>1988-1987 Van:</b>	
Sealed Bearing .....	FW126
<b>1985-1978 620 &amp; 720:</b>	
Seal .....	21040
Bearing (Inner) .....	BR5
(Set Components) .....	LM48548/LM48510
Bearing (Outer) .....	BR3
(Set Components) .....	M12649/M12610
<b>1977-1972 620:</b>	
Seal .....	18877
Bearing (Inner) .....	BR31
Bearing (Outer) .....	BR30304
<b>1972-1965 520 &amp; 521:</b>	
Seal .....	550225
Bearing (Inner) .....	BR30206
Bearing (Outer) .....	BR30304

#### Wheel Front (4 W/D)

<b>1995-1986 Hardbody Pickup &amp; Pathfinder:</b>	
Seal .....	22230
Bearing (Inner) .....	BR37
(Set Components) .....	LM603049/LM603011
Bearing (Outer) .....	LM300849/LM300811
<b>1986-1983 720:</b>	
Seal (Inner) .....	19639
Seal (Outer) .....	22230
Bearing (Inner) .....	BR37
(Set Components) .....	LM603049/LM603011
Bearing (Outer) .....	LM300849/LM300811
<b>1982-1980 720:</b>	
Seal (Inner) .....	23464
Seal (Outer) .....	28310
Bearing .....	[2] LM104949/LM104912

#### Wheel Front (4 W/D) (Cont.)

##### Axle Shaft

<b>1995 Pathfinder Exc. Armada:</b>	
Seal (L.H. Inner) .....	550232
Seal (L..H. Outer) .....	19689
Seal (R.H.) .....	550231
<b>1995 Hardbody Pickup:</b>	
Seal (L.H.) .....	19689
Seal (R.H.) .....	550224
<b>1988-1986 Hardbody Pickup w/o R180 &amp; R200 Diff.:</b>	
Seal .....	19689
<b>1988-1986 Hardbody Pickup &amp; Pathfinder w/R180 &amp; R200 Diff.:</b>	
Seal .....	19689

##### Wheel Rear

<b>1995-1986 Hardbody Pickup w/o Dual Rr. Whls.:</b>	
Seal (Inner) .....	550231
Seal (Outer) .....	19095
Bearing .....	BR30208
<b>1995 Pathfinder w/Limited Slip Axle:</b>	
Seal .....	22120
Bearing .....	GRW170
<b>1995 Pathfinder XE w/o Limited Slip Axle:</b>	
Seal .....	22120
<b>1995 Pathfinder SE w/o Limited Slip Axle:</b>	
Seal .....	22120
Bearing .....	GRW170
<b>1994-1988 Pathfinder w/Disc Brks.:</b>	
Seal (Outer) .....	22120
Bearing .....	GRW170
<b>1994-1987 Pathfinder w/o Disc Brks.:</b>	
Seal (Inner) .....	550231
Seal (Outer) .....	19095
Bearing .....	BR30208
<b>1989-1986 Hardbody Pickup w/Dual Rr. Whls.:</b>	
Seal (Inner) .....	13423
Seal (Outer) .....	25430
Bearing .....	[2] 32010-X
<b>1988-1987 Van:</b>	
Seal .....	13954
Bearing .....	6208-RSJ

(Continued)

**Nissan Truck -- (Cont.)**

MFG./YEAR	MODEL & LOCATION	PART NO.
<b>Wheel Rear (Cont.)</b>		
1986-1983	720 w/Dual Rr. Whls.:	
	Seal (Inner) .....	12810
	Seal (Outer) .....	25430
	Bearing ..... [2]	32010-X
1986-1972	620 & 720 w/o Dual Rr. Whls.:	
	Seal (Inner) .....	13954
	Seal (Outer) .....	19626
	Bearing .....	BR30208
1972-1965	520 & 521:	
	Seal (Inner) .....	13954
	Seal (Outer) .....	550225
	Bearing .....	BR30208

**Pinion**

**Front Axle**

1995-1986	Hardbody Pickup & Pathfinder w/o V6 Eng. From 5/86:	
	Seal .....	13978
	(Speedi-Sleeve) .....	99139
	Bearing (Front) .....	BR32305
	Bearing (Rear) .....	BR32307
1995-1986	Hardbody Pickup w/V6 Eng. From 5/86:	
	Seal .....	15882
	Bearing (Front) .....	BR32306
	Bearing (Rear) .....	BR32307
1995-1987	Pathfinder:	
	Seal .....	15882
	Bearing (Front) .....	BR32306
	Bearing (Rear) .....	BR32307
1986	Hardbody Pickup Thru 4/86:	
	Seal .....	15882
	Bearing (Front) .....	BR32306
	Bearing (Rear) .....	BR32307
1986-1980	720:	
	Seal .....	13978
	(Speedi-Sleeve) .....	99139
	Bearing (Ball) .....	6305-VSP65
	Bearing (Front) .....	BR32305
	Bearing (Rear) .....	BR32307

**Rear Axle**

1995-1991	Hardbody Pickup w/H190 Diff. From 8/91:	
	Seal .....	17686
	Bearing (Front) .....	BR30306
	Bearing (Rear) .....	BR32307
1995-1991	Hardbody Pickup & Pathfinder w/H233 Diff.:	
	Seal .....	16564
	Bearing (Front) .....	BR32306
	Bearing (Rear) .....	BR32308
1992-1986	Hardbody Pickup & Pathfinder w/C200 Diff.:	
	Seal .....	15882
	Bearing (Front) .....	BR32306
	Bearing (Rear) .....	BR32307
1991-1986	Hardbody Pickup w/H190 Diff. Thru 7/91:	
	Seal .....	17782
	(Speedi-Sleeve) .....	99177
	Bearing (Front) .....	BR30306
	Bearing (Rear) .....	BR32307
1990-1986	Hardbody Pickup & Pathfinder w/H233 Diff.:	
	Seal .....	16564
	Bearing (Front) .....	BR32306
	Bearing (Rear) .....	BR32307

**Pinion (Cont.)**

**Rear Axle (Cont.)**

1988-1987	Van:	
	Seal .....	15882
	Bearing (Rear) .....	BR32307
1986-1983	720 w/2 W/D w/o Dual Rr. Whls.:	
	Seal .....	17782
	(Speedi-Sleeve) .....	99177
	Bearing (Front) .....	BR30306
	Bearing (Rear) .....	BR32307
1986-1983	720 w/2 W/D & Dual Rr. Whls.:	
	Seal .....	15882
	Bearing (Front) .....	BR32306
	Bearing (Rear) .....	BR32307
1986-1983	720 w/4 W/D Exc. Z24 Eng.:	
	Seal .....	17782
	(Speedi-Sleeve) .....	99177
	Bearing (Front) .....	BR30306
	Bearing (Rear) .....	BR32307
1986-1983	720 w/4 W/D & Z24 Eng.:	
	Seal .....	15882
	Bearing (Front) .....	BR32306
	Bearing (Rear) .....	BR32307
1982-1974	620 & 720:	
	Seal .....	17782
	(Speedi-Sleeve) .....	99177
	Bearing (Front) .....	BR30306
	Bearing (Rear) .....	BR32307
1973-1965	520, 521 & 620:	
	Seal .....	13972
	(Speedi-Sleeve) .....	99139
	Bearing (Front) .....	30305-C
	Bearing (Rear) .....	BR30306

**Differential**

**Front Axle**

1995-1986	Hardbody Pickup & Pathfinder w/V6 Eng.:	
	Seal (L.H.) .....	550231
	(Speedi-Sleeve) (L.H.) .....	99139
	Seal (R.H.) .....	550232
	(Speedi-Sleeve) (R.H.) .....	99163
	Bearing .....	BR59
1992-1986	Hardbody Pickup & Pathfinder w/o V6 Eng.:	
	Seal (L.H.) .....	550224
	Bearing .....	BR30208
1986-1980	720:	
	Seal .....	550224
	Bearing .....	BR30208

**Rear Axle**

1995-1987	Pathfinder w/V6 Eng.:	
	Bearing .....	KC11445-Y
	(Set Components) .....	BR17887/BR17831
1995-1986	Hardbody Pickup & Pathfinder w/H233 Diff.:	
	Bearing .....	KC11445-Y
	(Set Components) .....	BR17887/BR17831
1992-1986	Hardbody Pickup w/H190A Diff.:	
	Bearing .....	BR30208
1986	Hardbody Pickup w/H233 Diff.:	
	Bearing .....	KC11445-Y
	(Set Components) .....	BR17887/BR17831
1986-1983	720 w/o 4 W/D & Dual Rr. Whls.:	
	Bearing .....	BR30208

(Continued)

MFG./YEAR	MODEL & LOCATION	PART NO.	MFG./YEAR	MODEL & LOCATION	PART NO.
<b>Differential (Cont.)</b>			<b>Transfer Case (Cont.)</b>		
<b>Rear Axle (Cont.)</b>			<b>Input Shaft (Cont.)</b>		
1983	720 w/4 W/D Thru 6/83:		1995-1986	Hardbody Pickup & Pathfinder w/Man. Trans.:	
	Bearing .....	BR30208		Seal .....	19641
1982-1965	520, 521, 620 & 720:			(Speedi-Sleeve) .....	99196
	Bearing .....	BR30208		Bearing (Front) .....	6212-NRJ
<b>Clutch</b>				Bearing (Rear) .....	6213-ZNRJ
<b>Pilot</b>			1986-1980	720:	
1995-1983	All:			Seal .....	17773
	Bearing (Bushing) .....	B22		(Speedi-Sleeve) .....	99177
<b>Release</b>				Bearing (Front) .....	6306-J
1995	Pathfinder:			Bearing (Rear) .....	6309-J
	Bearing Only .....	N2106	<b>Rear Output Shaft</b>		
1995	Hardbody Pickup:		1995-1986	Hardbody Pickup & Pathfinder:	
	Bearing Only .....	N2106		Seal .....	16528
	Bearing Assembly .....	N3051		(Speedi-Sleeve) .....	99169
1994-1986	Hardbody Pickup & Pathfinder:			Bearing .....	6306-J
	Bearing Only .....	N2106	1986-1980	720:	
	Bearing Assembly .....	N3051		Seal .....	17773
1988-1987	Van:			(Speedi-Sleeve) .....	99177
	Bearing Only .....	N2106		Bearing (Front) .....	6308-J
	Bearing Assembly .....	N3052		Bearing (Rear) .....	6308-J
1986-1982	720 From 11/82:		<b>Shift Shaft</b>		
	Bearing Only .....	N2106	1995-1986	Hardbody Pickup & Pathfinder:	
	Bearing Assembly .....	N3051		Seal .....	6610
1982-1980	720 Thru 10/82:			(Speedi-Sleeve) .....	99068
	Bearing Only .....	N2106	<b>Transmission-Automatic</b>		
	Bearing Assembly .....	N3052	<b>Front Pump</b>		
1979-1975	620:		1995-1990	Hardbody Pickup & Pathfinder w/o 4 W/D:	
	Bearing Only .....	N2106		Seal .....	17679
	Bearing Assembly .....	N1723	1995-1987	Hardbody Pickup & Pathfinder w/4 W/D From 8/87:	
1974-1970	521 & 620:			Seal .....	17679
	Bearing Only .....	N1723	1989-1972	Hardbody Pickup & Pathfinder w/o 4 W/D; Van, 620 & 720:	
1969-1967	520 & 521:			Seal .....	16489
	Bearing Only .....	N1723	1987-1986	Hardbody Pickup & Pathfinder w/4 W/D Thru 7/87:	
1966-1965	520:			Seal .....	16533
	Bearing Only .....	N1722		(Speedi-Sleeve) .....	99169
<b>Transfer Case</b>			<b>Rear</b>		
<b>Drive Link Sprocket</b>			1995-1987	Hardbody Pickup & Pathfinder w/4 W/D:	
1995-1986	Hardbody Pickup & Pathfinder:			Seal .....	16514
	Bearing .....	6208-J		(Speedi-Sleeve) .....	99169
<b>Front Output Shaft</b>			1994-1984	Hardbody Pickup & Pathfinder w/o 4 W/D; Van & 720:	
1995-1986	Hardbody Pickup & Pathfinder w/Auto. Trans.:			Seal .....	14703
	Seal .....	15886		(Speedi-Sleeve) .....	99147
	Bearing .....	6306-J	1983-1972	620 & 720:	
1995-1986	Hardbody Pickup & Pathfinder w/Man. Trans.:			Seal .....	13907
	Seal .....	19641		(Speedi-Sleeve) .....	99139
	(Speedi-Sleeve) .....	99196	<b>Transmission-Manual</b>		
	Bearing .....	6306-J	<b>Countershaft</b>		
1986-1980	720:		1992-1974	Hardbody Pickup, Pathfinder, 620 & 720:	
	Seal .....	17773		Bearing (Center) .....	6305-J
	(Speedi-Sleeve) .....	99177		Bearing (Rear) .....	6204-J
	Bearing (Front) .....	6306-J			(Continued)
1995-1987	Pathfinder w/Auto. Trans.:				
	Seal .....	19640			
	(Speedi-Sleeve) .....	99196			
	Bearing (Front) .....	6306-J			
	Bearing (Rear) .....	6306-J			

**Nissan Truck -- (Cont.)**

MFG./YEAR	MODEL & LOCATION	PART NO.	MFG./YEAR	MODEL & LOCATION	PART NO.
<b>Transmission-Manual (Cont.)</b>			<b>Alternator (Cont.)</b>		
<b>Front</b>			1979-1970 521 & 620:		
1995-1986	Hardbody Pickup, Van & 720; Pathfinder w/o V6 Eng.:		Bearing (Front) .....		6202-2ZJ
Seal .....		11615	Bearing (Rear) .....		6201-J
(Speedi-Sleeve) .....		99114	1969-1967 520 & 521:		
Bearing (Front) .....		■ 6306-NJ	Bearing .....	[2]	6201-2ZJ
Bearing (Rear) .....		■ 6306-NJ	1966-1965 520:		
1995-1987 Pathfinder w/V6 Eng.:			Bearing (Front) .....		6202-2ZJ
Seal .....		11615	<b>Drive Shaft</b>		
(Speedi-Sleeve) .....		99114	1994-1986 Hardbody Pickup w/4 W/D & 1.22 Brg. I.D.:		
Bearing (Front) .....		308-NRJ	Bearing & Support .....		HB1280-40
Bearing (Rear) .....		308-NRJ	1989-1986 Hardbody Pickup Japanese Built w/o Diesel Eng. & 4 W/D:		
1985-1981 4 Spd. Trans. w/Code F4W71B:			Bearing & Support .....		HB1280-30
Seal .....		11615	1986 Hardbody Pickup w/Diesel Eng. w/o 4 W/D:		
(Speedi-Sleeve) .....		99114	Bearing & Support .....		HB1280-30
Bearing (Front) .....		6306-NRJ	1986-1980 720 Pickup:		
Bearing (Rear) .....		6306-J	Bearing & Support .....		HB1280-20
1985-1981 5 Spd. w/Trans. Code FS5W71B:			1978-1974 620 Pickup:		
Seal .....		11615	Bearing & Support 12mm .....		HB1280-10
(Speedi-Sleeve) .....		99114	Bearing & Support 22mm .....		HB1280-50
Bearing (Front) .....		■ 6306-NJ	<b>Engine</b>		
Bearing (Rear) .....		6306-NRJ	<b>Camshaft</b>		
1973-1965 520, 521 & 620:			1995-1986 Hardbody Pickup & Pathfinder w/V6 Eng.:		
Seal .....		13907	Seal .....		13429
(Speedi-Sleeve) .....		99139	(Speedi-Sleeve) .....		99134
Bearing .....		6207-J	<b>Crankshaft-Rear</b>		
<b>Mainshaft</b>			1995-1993 Hardbody Pickup w/2.4L Eng.:		
1989-1987 Pathfinder w/o V6 Eng.:			Seal .....		31581
Bearing .....		■ 6306-NJ	(Speedi-Sleeve) .....		99315
1989-1987 Pathfinder w/V6 Eng.:			1995-1991 Hardbody Pickup & Pathfinder w/V6 Eng.:		
Bearing .....		308-NRJ	Seal .....		33405
<b>Rear</b>			(Speedi-Sleeve) .....		99331
1995-1986 Hardbody Pickup & Pathfinder w/V6 Eng.:			1992-1990 Hardbody Pickup w/2.4L Eng.:		
Seal .....		16511	Seal .....		31581
(Speedi-Sleeve) .....		99114	(Speedi-Sleeve) .....		99315
Bearing .....		6307-NRJ	1989-1986 Hardbody Pickup & Pathfinder w/o Diesel & V6 Eng.s.; Van:		
1995-1965 Hardbody Pickup w/o V6 Eng.; Van, 520, 521, 620 & 720:			Seal .....		31511
Seal .....		13907	(Speedi-Sleeve) .....		99317
(Speedi-Sleeve) .....		99139	1989-1986 Hardbody Pickup & Pathfinder w/V6 Eng.:		
Bearing .....		6205-J	Seal .....		33405
<b>Air Conditioning Clutch</b>			(Speedi-Sleeve) .....		99331
1979-1972 620:			1986-1970 520, 521, 620, 720 w/o Diesel Eng.:		
Bearing .....		6006-2ZJ	Seal .....		31511
<b>Alternator</b>			(Speedi-Sleeve) .....		99317
1995-1990 Hardbody Pickup & Pathfinder w/Hitachi Alt.:			1982-1981 720 w/Diesel Eng.:		
Bearing (Front) .....		6303-2RSJ	Seal Kit .....		101
Bearing (Rear) .....		AB7	<b>Timing Belt Tensioner</b>		
1989-1987 Hardbody Pickup w/Gas Eng.; Pathfinder w/o V6 Eng.:			1995-1990 Pathfinder & Pickup:		
Bearing (Front) .....		6203-2RSJ	Bearing & Housing Assy. ....		VKM72004
Bearing (Rear) .....		6202-2ZJ	1989-1987 Pickup:		
1989-1986 Hardbody Pickup & Pathfinder w/V6 Eng.; Van:			Bearing & Housing Assy. ....		VKM72004
Bearing (Front) .....		6203-2RSJ	<b>Timing Belt and Tensioner Kit</b>		
1986 Hardbody Pickup w/Diesel Eng.:			1995-1994 Pathfinder; Pickup w/3.0L Eng.:		
Bearing (Front) .....		6303-2RSJ	Belt & Tensioner Kit .....		VKMA92006
1986-1981 720 w/Diesel Eng.:			1994-1987 Pathfinder & Pickup w/Square Tooth Sprocket:		
Bearing (Front) .....		AB9	Belt & Tensioner Kit .....		VKMA92004
Bearing (Rear) .....		6202-2RSJ	(Continued)		
1986-1980 720 w/o Diesel Eng.:					
Bearing (Front) .....		6203-2RSJ			
Bearing (Rear) .....		6202-2ZJ			

MFG./YEAR	MODEL & LOCATION	PART NO.	MFG./YEAR	MODEL & LOCATION	PART NO.
<b>Engine (Cont.)</b>			<b>Steering-Power (Cont.)</b>		
<b>Timing Cover</b>			<b>Worm Shaft</b>		
1995-1990	Hardbody Pickup w/o V6 Eng.:		1989-1986	Hardbody Pickup & Pathfinder:	
	Seal .....	17897		Seal .....	7000
	(Speedi-Sleeve) .....	99181	1988-1987	Van:	
1995-1986	Hardbody Pickup w/V6 Eng.; Pathfinder Thru '95:			Seal .....	7000
	Seal .....	12886	<b>Steering-Standard</b>		
	(Speedi-Sleeve) .....	99121	<b>Pitman Shaft</b>		
1989-1987	Hardbody Pickup & Pathfinder w/o V6 Eng.; Van:		1992-1988	Hardbody Pickup & Pathfinder:	
	Seal .....	18970		Seal .....	13931
	(Speedi-Sleeve) .....	99189	1987-1986	Hardbody Pickup & Pathfinder:	
1986-1981	Hardbody Pickup & 720 w/Diesel Eng.:			Seal .....	13941
	Seal .....	22833	1986-1980	720:	
1986-1970	Hardbody Pickup, 520, 521, 620 & 720 w/o Diesel & V6 Eng.:			Seal .....	10923
	Seal .....	18970	1979-1965	520, 521 & 620:	
	(Speedi-Sleeve) .....	99189		Seal .....	10181
<b>Steering-Power</b>			<b>Worm Shaft</b>		
<b>Pitman Shaft</b>			1992-1991	Hardbody Pickup:	
1992-1986	Hardbody Pickup & Pathfinder w/4 W/D:			Seal .....	7004
	Seal .....	11086	1990-1980	Hardbody Pickup, Pathfinder & 720:	
1988-1987	Van:			Seal .....	6630
	Seal .....	7000			
<b>Pump Shaft</b>					
1988-1987	Van w/o Diesel Eng.:				
	Seal .....	7000			
1982-1980	720:				
	Seal .....	7000			
	Bearing .....	6202-ZJ			

**Oldsmobile (FWD) Achieva, Calais, Cutlass (from 1988), Firenza**

<b>Wheel Front</b>		<b>Wheel Rear (Cont.)</b>	
1995-1992	Achieva:	1990-1982	Exc. Cutlass:
	Seal .....		Hub Assembly .....
	Hub Assembly (Kit) .....		BR930093
1995-1988	Cutlass:	<b>Differential</b>	
	Hub Assembly (Kit) .....	<b>Kit</b>	
1991-1985	Calais & Firenza:	1988	7.50 " Ring Gear:
	Seal .....		Standard Seal and Bearing Kit Rear .....
	Hub Assembly (Kit) .....		SDK320
1984	2nd Design w/12mm Hole in Mtg. Flg.:		Master Seal and Bearing Kit Rear .....
	Seal .....		SDK320-MK
	Hub Assembly (Kit) .....	<b>Clutch</b>	
1984-1982	1st Design w/10mm Hole in Mtg. Flg.:	<b>Release</b>	
	Seal .....	1995	5 Spd. Isuzu Trans.:
	Hub Assembly (Kit) .....		Bearing Assembly .....
	BR930034K		N4906
<b>Wheel Rear</b>		1994-1992	2nd Design 5 Spd. Muncie Transaxle Exc. Cutlass:
1995-1992	Achieva:		Bearing Assembly .....
	Hub Assembly .....		N4905
	BR930070	1994-1983	5 Spd. Isuzu Trans.:
1995-1992	Cutlass w/ABS:		Bearing Assembly .....
	Hub Assembly .....		N4042
	BR930096	1992-1991	1st Design 5 Spd. Muncie Transaxle Exc. Cutlass:
1993-1988	Cutlass w/o ABS & Soft Ride Suspension:		Bearing Assembly .....
	Hub Assembly .....		N4005-SA
	BR930026	1990-1985	5 Spd. Muncie Trans.:
1991	Calais w/o ABS:		Bearing Assembly .....
	Hub Assembly .....		N4005-SA
	BR930093	1987-1982	4 Spd. Trans.:
1991	Calais w/ABS:		Bearing Assembly .....
	Hub Assembly .....		N3015
	BR930070		(Self-Aligning) .....
1991-1988	Cutlass w/ABS & Soft Ride Suspension:		N3015-SA
	Hub Assembly .....		(Continued)
	BR930087		

Oldsmobile (FWD) Achieva, Calais, Cutlass (from 1988), Firenza -- (Cont.)

MFG./YEAR	MODEL & LOCATION	PART NO.	MFG./YEAR	MODEL & LOCATION	PART NO.
<b>Transaxle-Automatic</b>			<b>Transaxle-Manual (Cont.)</b>		
<b>Front Pump</b>			<b>Output Shaft (Cont.)</b>		
1995-1982 All:			1990-1983 5 Spd. Isuzu Trans.:		
Seal		17849	Seal		13750
<b>Output Shaft</b>			(Speedi-Sleeve)		99138
1995-1993 4T60E Trans.:			Bearing (Rear)		BR32206
Seal (L.H.)		13959	1987-1982 4 Spd. Trans.:		
(Speedi-Sleeve) (L.H.)		99139	Seal		13750
Seal (R.H.)		13750	(Speedi-Sleeve)		99138
(Speedi-Sleeve) (R.H.)		99138	Bearing (Front)		BR5
1995-1982 THM125 Trans.:			(Set Components)		LM48548/LM48510
Seal		13750	Bearing (Rear)		BR15101/BR15245
(Speedi-Sleeve)		99138	<b>Shift Shaft</b>		
1992-1988 THM440 Trans.:			1995-1983 5 Spd. Isuzu Trans.:		
Seal (L.H.)		13959	Seal		6408
(Speedi-Sleeve) (L.H.)		99139	(Speedi-Sleeve)		99058
Seal (R.H.)		13750	1994-1988 w/o 5 Spd. Isuzu Trans.:		
(Speedi-Sleeve) (R.H.)		99138	Seal		5806
<b>Shift Shaft</b>			(Speedi-Sleeve)		99059
1995-1984 All:			1987-1982 4 Spd. Trans.:		
Seal		4912	Seal		5606
(Speedi-Sleeve)		99050	(Speedi-Sleeve)		99056
(Speedi-Sleeve/Seal Kit)		480050	<b>Air Conditioning Clutch</b>		
1983-1982 All:			1995-1982 All:		
Seal		3683	Bearing		5908-VAW
<b>Transaxle-Manual</b>			<b>Air Conditioning Compressor</b>		
<b>Clutch Fork</b>			1984-1982 All:		
1990-1988 All:			Bearing		B128
Seal		6720	<b>Alternator</b>		
1987-1982 4 & 5 Spd. Trans.:			1995-1994 Achieva w/191 (3.1L) Eng.:		
Seal		6720	Bearing (Rear)		AB14
<b>Differential</b>			1992-1988 All:		
1995-1983 5 Spd. Isuzu Trans.:			Bearing (Front)		6203-2RSJ
Bearing		32008-X	Bearing (Rear)		6000-2RSJ
1994-1982 w/o 5 Spd. Isuzu Trans.:			1987-1983 All:		
Bearing		BR11	Bearing (Front)		6203-2RSJ
(Set Components)		JL69349/JL69310	Bearing (Rear)		MNJ471-S
<b>Input Shaft</b>			1982 All:		
1995 5 Spd. Isuzu Trans.:			Bearing (Front)		6203-ZJ
Seal		10937	Bearing (Rear)		MNJ471-S
(Speedi-Sleeve)		99111	<b>Engine</b>		
1994-1987 w/o 5 Spd. Isuzu & 4 Spd. Transaxles:			<b>Camshaft</b>		
Bearing		6305-2RSJ	1995-1991 Cutlass w/207 (3.4L) Eng.:		
1994-1983 5 Spd. Isuzu Trans.:			Seal		16511
Seal		10937	(Speedi-Sleeve)		99169
(Speedi-Sleeve)		99111	1994-1988 Achieva, Calais & Cutlass w/140 (2.3L) Eng.:		
Bearing (Rear)		BR30306	Seal		14166
1987-1982 4 Spd. Trans.:			(Speedi-Sleeve)		99146
Seal		10583	1988-1987 112 (1.8L) & 121 (2.0L) O.H.C. Engs.:		
(Speedi-Sleeve)		99106	Seal		13709
Bearing		BR4	(Speedi-Sleeve)		99139
(Set Components)		L44649/L44610	<b>Crankshaft-Rear</b>		
<b>Output Shaft</b>			1995-1988 140 (2.3L) & 146 (2.4L) Engs.:		
1995-1991 5 Spd. Isuzu Trans.:			Seal		32283
Seal		13750	1995-1994 Achieva w/189 (3.1L) Eng.:		
(Speedi-Sleeve)		99138	Seal		29862
Bearing (Rear)		BR32206	(Speedi-Sleeve)		99298
1994-1988 w/o 5 Spd. Isuzu Trans.:					(Continued)
Seal		13750			
(Speedi-Sleeve)		99138			
Bearing (Rear)		5206A2RSNR			

**Passenger cars, light & medium trucks**

**(Cont.) -- Oldsmobile (FWD) Achieva, Calais, Cutlass (from 1988), Firenza**

MFG./YEAR	MODEL & LOCATION	PART NO.	MFG./YEAR	MODEL & LOCATION	PART NO.
<b>Engine (Cont.)</b>			<b>Engine (Cont.)</b>		
<b>Crankshaft-Rear (Cont.)</b>			<b>Timing Cover (Cont.)</b>		
1995-1982	4 Cyl. & 6 Cyl. Cutlass & Firenza w/2nd Design Eng.:		1988-1985	Firenza w/121 (2.0L) Eng.:	
	Seal .....	29862		Seal .....	17286
	(Speedi-Sleeve) .....	99298		(Speedi-Sleeve) .....	99176
	(Speedi-Sleeve/Seal Kit) .....			(Speedi-Sleeve/Seal Kit) .....	480177
1993-1992	Achieva w/204 (3.3L) Eng.:		1984-1982	112 (1.8L) Exc. O.H.C. Eng.:	
	Seal .....	32289		Seal .....	17286
	(Speedi-Sleeve) .....	99328		(Speedi-Sleeve) .....	99176
	(Speedi-Sleeve/Seal Kit) .....			(Speedi-Sleeve/Seal Kit) .....	480177
1991	Calais w/6 Cyl. Eng.:		1982	112 (1.8L) O.H.C. Eng.:	
	Seal .....	32289		Seal .....	12756
	(Speedi-Sleeve) .....	99328		(Speedi-Sleeve) .....	99128
1991-1985	Calais w/151 (2.5L) Eng.:		<b>Steering-Power Pump Shaft</b>		
	Seal .....	29987	1995-1994	All:	
1990-1985	Calais w/6 Cyl. Eng.:			Seal .....	7475
	Seal Kit .....	191	1993-1992	Achieva:	
<b>Accessory Drive Belt Idler</b>				Seal .....	7475
1995-1985	2.0L, 3.1L, 3.4L, 3.8L, 5.0L & 5.7L Eng.:		1993-1989	Calais & Cutlass Exc. 151 (2.5L) w/2nd Design Eng.:	
	Bearing (Pulley) .....	VKM900022		Seal .....	7475
<b>Timing Belt Tensioner</b>			1990-1985	Calais & Firenza w/122 (2.0L), 140 (2.3L) & 173 (2.8L) 1st Design Eng.:	
1995	Cutlass Supreme:			Bearing .....	6203-2RSJ
	Bearing & Housing Assy. ....	VKM55004	1988	Cutlass:	
<b>Timing Cover</b>				Bearing .....	6203-2RSJ
1995-1992	140 (2.3L) & 146 (2.4L) Eng.:		1986-1982	Firenza w/o 122 (2.0L) & 173 (2.8L) Eng.:	
	Seal .....	19887		Seal .....	7475
	(Speedi-Sleeve) .....	99199	<b>Worm Shaft</b>		
1995-1994	Achieva w/189 (3.1L) Eng.:		1990-1988	Cutlass:	
	Seal .....	17286		Seal .....	9705
	(Speedi-Sleeve) .....	99176	1984-1982	All:	
	(Speedi-Sleeve/Seal Kit) .....	480177		Seal .....	9705
1995-1988	Cutlass w/6 Cyl. Eng.:				
	Seal .....	17286			
	(Speedi-Sleeve) .....	99176			
	(Speedi-Sleeve/Seal Kit) .....	480177			
1991-1985	Calais & Firenza w/6 Cyl. Eng.:				
	Seal .....	19387			
	(Speedi-Sleeve) .....	99193			
1991-1985	Calais w/151 (2.5L) Eng.:				
	Seal .....	17286			
	(Speedi-Sleeve) .....	99176			
	(Speedi-Sleeve/Seal Kit) .....	480177			

**Oldsmobile (FWD) Aurora**

<b>Wheel Front</b>		
1995	All:	
	Hub Assembly .....	BR930076
<b>Wheel Rear</b>		
1995	All:	
	Hub Assembly .....	BR930074
<b>Transaxle-Automatic</b>		
<b>Front Pump</b>		
1995	4T80E Trans.:	
	Seal .....	18953
	(Speedi-Sleeve) .....	99189
<b>Output Shaft</b>		
1995	4T80E Trans.:	
	Seal (L.H.) .....	16295
	Seal (R.H.) .....	16392

<b>Transaxle-Automatic (Cont.)</b>		
<b>Shift Shaft</b>		
1995	All:	
	Seal .....	4912
	(Speedi-Sleeve) .....	99050
	(Speedi-Sleeve/Seal Kit) .....	480050
<b>Air Conditioning Clutch</b>		
1995	All:	
	Bearing .....	5908-VAW
<b>Alternator</b>		
1995	All:	
	Bearing (Rear) .....	DB65093
(Continued)		

**Oldsmobile (FWD) Aurora -- (Cont.)**

MFG./YEAR	MODEL & LOCATION	PART NO.	MFG./YEAR	MODEL & LOCATION	PART NO.
<b>Engine</b>			<b>Steering-Power</b>		
<b>Crankshaft-Rear</b>			<b>Pump Shaft</b>		
1995	244 (4.0L) Eng. w/9mm Wide Sh. & 1st Design:		1995	All:	
Seal		37570	Bearing		6203-2RSJ
<b>Timing Cover</b>					
1995	244 (4.0L) Eng.:				
Seal		19905			

**Oldsmobile (FWD) Ciera, Omega (from 1980)**

<b>Wheel Front</b>			<b>Transaxle-Automatic (Cont.)</b>		
1995-1994	Ciera:		<b>Shift Shaft</b>		
Hub Assembly		BR930076	1995-1984	All:	
1993-1983	Ciera w/10.25" Dia. Rotor:		Seal		4912
Seal		24097	(Speedi-Sleeve)		99050
Hub Assembly (Kit)		BR930022K	(Speedi-Sleeve/Seal Kit)		480050
1989-1982	Ciera w/9.75" Dia. Rotor:		1983-1980	THM125 Trans.:	
Seal		18697	Seal		3683
Hub Assembly (Kit)		BR930091K	<b>Transaxle-Manual</b>		
1984-1980	Omega:		<b>Clutch Fork</b>		
Seal		18697	1984-1980	4 Spd. Trans.:	
Hub Assembly (Kit)		BR930091K	Seal		6720
<b>Wheel Rear</b>			<b>Differential</b>		
1995-1994	Ciera:		1984-1980	All:	
Hub Assembly		BR930078	Bearing		BR11
1993-1983	Ciera w/10.25" Dia. Rotor:		(Set Components)		JL69349/JL69310
Hub Assembly		BR930026	<b>Input Shaft</b>		
1989-1982	Ciera w/9.75" Dia. Rotor:		1984-1980	4 Spd. Trans.:	
Hub Assembly		BR930016	Seal		10583
1984-1980	Omega:		(Speedi-Sleeve)		99106
Hub Assembly		BR930093	Bearing		BR4
<b>Clutch</b>			(Set Components)		L44649/L44610
<b>Release</b>			<b>Output Shaft</b>		
1984-1980	4 Spd. Trans.:		1984-1980	4 Spd. Trans.:	
Bearing Assembly		N3015	Seal		13750
(Self-Aligning)		N3015-SA	(Speedi-Sleeve)		99138
<b>Transaxle-Automatic</b>			Bearing (Front)		BR5
<b>Front Pump</b>			(Set Components)		LM48548/LM48510
1995-1982	All:		Bearing (Rear)		BR15101/BR15245
Seal		17849	<b>Shift Shaft</b>		
<b>Output Shaft</b>			1984-1980	4 Spd. Trans.:	
1995-1994	4T60E Trans.:		Seal		5606
Seal (L.H.)		13959	(Speedi-Sleeve)		99056
(Speedi-Sleeve) (L.H.)		99139	<b>Air Conditioning Clutch</b>		
Seal (R.H.)		13750	1995-1980	All:	
(Speedi-Sleeve) (R.H.)		99138	Bearing		5908-VAW
1995-1982	THM125 Trans.:		<b>Air Conditioning Compressor</b>		
Seal		13750	1985-1980	Radial Comp.:	
(Speedi-Sleeve)		99138	Bearing		B128
1993-1984	THM440 Trans.:		<b>Alternator</b>		
Seal (L.H.)		13959	1995-1994	105 Amp.:	
(Speedi-Sleeve) (L.H.)		99139	Bearing (Rear)		AB14
Seal (R.H.)		13750	1990-1988	108 & 120 Amp.:	
(Speedi-Sleeve) (R.H.)		99138	Bearing (Rear)		6000-2RSJ
1981-1980	THM125 Trans. w/o GM Hsg. Repair Kit:		1987-1983	All:	
Seal		13750	Bearing (Front)		6203-2RSJ
(Speedi-Sleeve)		99138	Bearing (Rear)		MNJ471-S
			(Continued)		



## Passenger cars, light & medium trucks

### (Cont.) -- Oldsmobile (FWD) Ciera, Omega (from 1980)

MFG./YEAR	MODEL & LOCATION	PART NO.	MFG./YEAR	MODEL & LOCATION	PART NO.
<b>Alternator (Cont.)</b>			<b>Engine (Cont.)</b>		
1982-1980 All:			<b>Timing Cover (Cont.)</b>		
	Bearing (Front) .....	6203-ZJ	1985-1982	181 (3.0L) & 231 (3.8L) Engs.:	
	Bearing (Rear) .....	MNJ471-S		Seal Kit .....	144
<b>Engine</b>			1985-1982	260 (4.3L) Diesel Eng.:	
<b>Crankshaft-Rear</b>				Seal .....	19887
1995-1994	134 (2.2L) & 189 (3.1L) Engs.:			(Speedi-Sleeve) .....	99199
	Seal .....	29862	<b>Steering-Power</b>		
	(Speedi-Sleeve) .....	99298	<b>Pump Shaft</b>		
1993	134 (2.2L) Eng.:		1995-1994	All:	
	Seal .....	29862		Seal .....	7475
	(Speedi-Sleeve) .....	99298	1993-1991	w/o 200 (3.3L) Eng. w/16.88mm Pump Sh.:	
1993-1991	6 Cyl. Eng.:			Seal .....	7475
	Seal .....	32289	1991	200 (3.3L) Eng. w/16.88mm Pump Sh.:	
	(Speedi-Sleeve) .....	99328		Bearing .....	6203-2RSJ
1992-1980	151 (2.5L) Eng.:		1990-1988	w/o 173 (2.8L) Eng.:	
	Seal .....	29987		Bearing .....	6203-2RSJ
1990-1982	6 Cyl. Eng. Exc. 173 (2.8L) & 260 (4.3L) Engs.:		1989-1988	173 (2.8L) Eng.:	
	Seal Kit .....	191		Seal .....	7475
<b>Timing Cover</b>			1987	All:	
1995-1994	189 (3.1L) Eng.:			Bearing .....	6203-2RSJ
	Seal .....	17286	1986-1983	w/o 151 (2.5L) & 173 (2.8L) Engs.:	
	(Speedi-Sleeve) .....	99176		Bearing .....	6203-2RSJ
	(Speedi-Sleeve/Seal Kit) .....	480177	1986-1980	151 (2.5L) & 173 (2.8L) Engs.:	
1995-1993	4 Cyl. Eng.:			Seal .....	7475
	Seal .....	17286	<b>Worm Shaft</b>		
	(Speedi-Sleeve) .....	99176	1988-1980	All:	
	(Speedi-Sleeve/Seal Kit) .....	480177		Seal .....	9705
1993-1986	6 Cyl. Eng. Exc. 173 (2.8L) Eng.:				
	Seal .....	19387			
	(Speedi-Sleeve) .....	99193			
1992-1980	151 (2.5L) & 173 (2.8L) Engs.:				
	Seal .....	17286			
	(Speedi-Sleeve) .....	99176			
	(Speedi-Sleeve/Seal Kit) .....	480177			

### Oldsmobile (FWD) Delta 88 (from 1986), Toronado, Trofeo, 98 Regency (from 1985)

<b>Wheel Front</b>			<b>Wheel Front (Cont.)</b>		
1995-1992	88 & 98 Regency w/ABS:		1978-1969	Toronado:	
	Hub Assembly .....	BR930076		Seal (Inner) .....	25515
1992	Toronado & Trofeo:			Seal (Outer) .....	24888
	Hub Assembly .....	BR930076		Bearing .....	BR23
1992	88 w/o ABS:		1968-1966	Toronado w/Disc Brks.:	
	Hub Assembly .....	BR930077		Seal .....	17187
1991-1989	Exc. Toronado & Trofeo:		<b>Wheel Rear</b>		
	Seal .....	24097	1995-1991	88 & 98 w/ABS:	
	Hub Assembly (Kit) .....	BR930022K		Hub Assembly .....	BR930068
1991-1989	Toronado & Trofeo:		1992-1991	Toronado & Trofeo:	
	Seal .....	24097		Hub Assembly .....	BR930074
	Hub Assembly .....	BR930061	1992-1991	88 w/o ABS:	
1988-1986	All:			Hub Assembly .....	BR930026
	Seal .....	24097	1990-1987	ABS:	
	Hub Assembly (Kit) .....	BR930022K		Hub Assembly .....	BR930049
1985	Exc. Toronado:		1990-1986	w/o ABS:	
	Seal .....	24097		Hub Assembly .....	BR930026
	Hub Assembly (Kit) .....	BR930022K	1985	w/o ABS Exc. Toronado:	
1985-1979	Toronado:			Hub Assembly .....	BR930026
	Seal .....	21961			
	Hub Assembly (Kit) .....	BR930052K			

(Continued)

**Oldsmobile (FWD) Delta 88 (from 1986), Toronado, Trofeo, 98 Regency (from 1985)  
-- (Cont.)**

MFG./YEAR	MODEL & LOCATION	PART NO.	MFG./YEAR	MODEL & LOCATION	PART NO.
<b>Wheel Rear (Cont.)</b>			<b>Transmission-Automatic (Cont.)</b>		
<b>1978-1966 Toronado:</b>			<b>Rear (Cont.)</b>		
	Seal .....	18990	<b>1970-1966 THM400 Trans.:</b>		
	Bearing (Inner) .....	BR5		Seal .....	16871
	(Set Components) .....	LM48548/LM48510		(Speedi-Sleeve) .....	99168
	Bearing (Outer) .....	BR3	<b>Shift Shaft</b>		
	(Set Components) .....	M12649/M12610	<b>1985-1982 All:</b>		
<b>Transaxle-Automatic</b>				Seal .....	4912
<b>Differential</b>				(Speedi-Sleeve) .....	99050
<b>1985-1979 Toronado:</b>			<b>1981-1976 THM400 Trans.:</b>		
	Bearing .....	[2] BR72		Seal .....	4911
	(Set Components) .....	LM501349/LM501314		(Speedi-Sleeve) .....	99050
<b>1978-1968 Toronado:</b>			<b>Air Conditioning Clutch</b>		
	Bearing .....	[2] 387-A/382-A	<b>1995-1966 All:</b>		
<b>1967-1966 Toronado:</b>				Bearing .....	5908-VAW
	Bearing (L.H.) .....	SET407	<b>Air Conditioning Compressor</b>		
	(Set Components) .....	BR28682/BR28622	<b>1985-1975 Radial Comp.:</b>		
	Bearing (R.H.) .....	LM806349-C/LM806310		Bearing .....	B128
<b>Front Pump</b>			<b>Alternator</b>		
<b>1995-1985 All:</b>			<b>1995-1994 1st Design:</b>		
	Seal .....	17849		Bearing (Front) .....	6303-2RSJ
<b>Output Shaft</b>				Bearing (Rear) .....	DB65093
<b>1995-1985 All:</b>			<b>1990-1988 Toronado &amp; Trofeo:</b>		
	Seal (L.H.) .....	13959		Bearing (Front) .....	6203-2RSJ
	(Speedi-Sleeve) (L.H.) .....	99139		Bearing (Rear) .....	6000-2RSJ
	Seal (R.H.) .....	13750	<b>1987 All:</b>		
	(Speedi-Sleeve) (R.H.) .....	99138		Bearing (Front) .....	6203-2RSJ
<b>Pinion</b>				Bearing (Rear) .....	6000-2RSJ
<b>1985-1979 Toronado:</b>			<b>1986-1985 All:</b>		
	Seal .....	18436		Bearing (Front) .....	6203-2RSJ
	Bearing (Front) .....	M804049/M804010		Bearing (Rear) .....	MNJ471-S
	Bearing (Rear) .....	M802048/M802011	<b>1984-1972 All:</b>		
<b>1974-1966 Toronado:</b>				Bearing (Front) .....	6203-ZJ
	Seal .....	16364		Bearing (Rear) .....	MNJ471-S
	(Speedi-Sleeve) .....	99162	<b>1971-1966 All:</b>		
	Bearing (Front) .....	BR5		Bearing (Front) .....	6203-RSJ
	(Set Components) .....	LM48548/LM48510		Bearing (Rear) .....	MNJ471-S
	Bearing (Rear) .....	LM806349-C/LM806310	<b>Engine</b>		
<b>Shift Shaft</b>			<b>Crankshaft-Rear</b>		
<b>1995-1985 All:</b>			<b>1995-1991 All:</b>		
	Seal .....	4912		Seal .....	32289
	(Speedi-Sleeve) .....	99050		(Speedi-Sleeve) .....	99328
	(Speedi-Sleeve/Seal Kit) .....	480050	<b>1990-1985 All:</b>		
<b>Transmission-Automatic</b>				Seal Kit .....	191
<b>Front Pump</b>			<b>1984-1966 6 &amp; 8 Cyl. Engs.:</b>		
<b>1985-1982 THM350 Trans.:</b>				Seal Kit .....	191
	Seal .....	17458	<b>Accessory Drive Belt Idler</b>		
	(Speedi-Sleeve) .....	99174	<b>1995-1985 3.8L, 5.0L &amp; 5.7L Engs.:</b>		
<b>1981-1966 w/o THM325-4L Trans.:</b>				Bearing (Pulley) .....	VKM900022
	Seal .....	18692	<b>Timing Cover</b>		
	(Speedi-Sleeve) .....	99187	<b>1995-1986 181 (3.0L) &amp; 231 (3.8L) Engs.:</b>		
	(Speedi-Sleeve/Seal Kit) .....	480187		Seal .....	19387
<b>Rear</b>				(Speedi-Sleeve) .....	99193
<b>1985-1976 w/o THM400 Trans.:</b>			<b>1985 181 (3.0L) &amp; 231 (3.8L) Engs.:</b>		
	Seal .....	15041		Seal Kit .....	144
	(Speedi-Sleeve) .....	99149			(Continued)
	(Speedi-Sleeve/Seal Kit) .....	480150			
<b>1979-1971 THM400 Trans.:</b>					
	Seal .....	18992			

## Passenger cars, light & medium trucks

(Cont.) -- Oldsmobile (FWD) Delta 88 (from 1986), Toronado, Trofeo, 98 Regency (from 1985)

MFG./YEAR	MODEL & LOCATION	PART NO.	MFG./YEAR	MODEL & LOCATION	PART NO.
<b>Engine (Cont.)</b>			<b>Steering-Power (Cont.)</b>		
<b>Timing Cover (Cont.)</b>			<b>Pump Shaft (Cont.)</b>		
1985-1975	260 (4.3L), 307 (5.0L), 350 R, Diesel (5.7L), 403 (6.6L) & 455 (7.5L) Engs.:		1985	98 Regency w/260 (4.3L) Diesel Eng.:	
	Seal .....	19887		Bearing .....	6203-2RSJ
	(Speedi-Sleeve) .....	99199	1985-1966	Toronado:	
1984-1981	Toronado w/252 (4.1L) Eng.:			Seal .....	7475
	Seal Kit .....	144	<b>Worm Shaft</b>		
1974-1966	w/o 330 (5.4L) Eng.:		1990-1985	All:	
	Seal .....	19887		Seal .....	9705
	(Speedi-Sleeve) .....	99199	1984-1979	2nd Design:	
<b>Steering-Power</b>				Seal .....	7905
<b>Pump Shaft</b>			1979-1976	1st Design:	
1995-1991	88 & 98 w/19mm Pump Sh.:			Seal .....	8660
	Seal .....	7475	1975-1966	All:	
1992	Toronado & Trofeo:			Seal .....	8660
	Seal .....	7475			
1991-1986	Toronado & Trofeo; 88 & 98 w/16.9mm Pump Sh.:				
	Bearing .....	6203-2RSJ			
1985	98 Regency w/o 260 (4.3L) Diesel Eng.:				
	Seal .....	7475			

## Oldsmobile (RWD) (Full Size), Custom Cruiser, Delta 88 (thru 1985), Jetstar, Starfire (thru 1966), 88 (thru 1985), 98 (thru 1984)

### Wheel Front

1992-1991	All:	
	Seal .....	19784
	Bearing (Inner) .....	BR6
	(Set Components) .....	LM67048/LM67010
	Bearing (Outer) .....	BR3
	(Set Components) .....	M12649/M12610
1990-1979	All:	
	Seal .....	19984
	Bearing (Inner) .....	BR6
	(Set Components) .....	LM67048/LM67010
	Bearing (Outer) .....	BR3
	(Set Components) .....	M12649/M12610
1978-1977	11" Rotor:	
	Seal .....	19984
	Bearing (Inner) .....	BR6
	(Set Components) .....	LM67048/LM67010
	Bearing (Outer) .....	BR2
	(Set Components) .....	LM11949/LM11910
1978-1977	12" Rotor:	
	Seal .....	19984
	Bearing (Inner) .....	BR6
	(Set Components) .....	LM67048/LM67010
	Bearing (Outer) .....	BR3
	(Set Components) .....	M12649/M12610
1976	w/o Frt. Disc Brks.:	
	Seal .....	19984
	Bearing (Inner) .....	BR6
	(Set Components) .....	LM67048/LM67010
	Bearing (Outer) .....	BR3
	(Set Components) .....	M12649/M12610

### Wheel Front (Cont.)

1976	Frt. Disc Brks.:	
	Seal .....	19984
	Bearing (Inner) .....	BR5
	(Set Components) .....	LM48548/LM48510
	Bearing (Outer) .....	BR3
	(Set Components) .....	M12649/M12610
1975-1971	All:	
	Seal .....	19984
	Bearing (Inner) .....	BR5
	(Set Components) .....	LM48548/LM48510
	Bearing (Outer) .....	BR3
	(Set Components) .....	M12649/M12610
1970-1969	All:	
	Seal .....	20113
	Bearing (Inner) .....	BR5
	(Set Components) .....	LM48548/LM48510
	Bearing (Outer) .....	BR3
	(Set Components) .....	M12649/M12610
1968-1967	All:	
	Seal .....	20118
	Bearing (Inner) .....	BR5
	(Set Components) .....	LM48548/LM48510
	Bearing (Outer) .....	BR3
	(Set Components) .....	M12649/M12610
1966	Exc. J-88:	
	Seal .....	20118
	Bearing (Inner) .....	BR5
	(Set Components) .....	LM48548/LM48510
	Bearing (Outer) .....	BR3
	(Set Components) .....	M12649/M12610

(Continued)

## Passenger cars, light & medium trucks

### Oldsmobile (RWD) (Full Size), Custom Cruiser, Delta 88 (thru 1985), Jetstar, Starfire (thru 1966), 88 (thru 1985), 98 (thru 1984) -- (Cont.)

MFG./YEAR	MODEL & LOCATION	PART NO.	MFG./YEAR	MODEL & LOCATION	PART NO.
<b>Wheel Front (Cont.)</b>			<b>Wheel Rear (Cont.)</b>		
<b>1966-1964 J-88:</b>			<b>1986-1982 Custom Cruiser:</b>		
Seal .....		<b>17815</b>	Seal .....		◇16044
Bearing (Inner) .....		<b>BR6</b>	(Superseded by:)		<b>16404</b>
(Set Components) .....	<i>LM67048/LM67010</i>		Bearing .....		<b>R1559-TV</b>
Bearing (Outer) .....		<b>BR2</b>	(Axle Repair Brg. Assy.) .....		• <i>R1559</i>
(Set Components) .....	<i>LM11949/LM11910</i>		<b>1985-1982 Exc. Custom Cruiser:</b>		
<b>1965 Exc. J-88 &amp; H.D.:</b>			Seal .....		<b>13992</b>
Seal .....		<b>17815</b>	Bearing .....		<b>R1563-TAV</b>
Bearing (Inner) .....		<b>BR6</b>	(Axle Repair Brg. Assy.) .....		• <i>R1563</i>
(Set Components) .....	<i>LM67048/LM67010</i>		<b>1981-1977 7.50" Ring Gear:</b>		
Bearing (Outer) .....		<b>BR2</b>	Seal .....		<b>13992</b>
(Set Components) .....	<i>LM11949/LM11910</i>		Bearing .....		<b>R1563-TAV</b>
<b>1965 H.D.:</b>			(Axle Repair Brg. Assy.) .....		• <i>R1563</i>
Seal .....		<b>20118</b>	<b>1981-1977 C, G &amp; K Axles w/8.50" Ring Gear:</b>		
Bearing (Inner) .....		<b>BR5</b>	Seal .....		<b>13992</b>
(Set Components) .....	<i>LM48548/LM48510</i>		Bearing .....		<b>R1563-TAV</b>
Bearing (Outer) .....		<b>BR3</b>	(Axle Repair Brg. Assy.) .....		• <i>R1563</i>
(Set Components) .....	<i>M12649/M12610</i>		<b>1981-1977 8.875" Ring Gear w/o 9.5" X 2" Brks.:</b>		
<b>1964 Exc. J-88:</b>			Seal .....		◇16044
Seal .....		<b>20118</b>	(Superseded by:)		<b>16404</b>
Bearing (Inner) .....		<b>BR5</b>	Bearing .....		<b>R1559-TV</b>
(Set Components) .....	<i>LM48548/LM48510</i>		(Axle Repair Brg. Assy.) .....		• <i>R1559</i>
Bearing (Outer) .....		<b>BR3</b>	<b>1981-1977 8.875" Ring Gear w/9.5" X 2" Brks.:</b>		
(Set Components) .....	<i>M12649/M12610</i>		Seal .....		<b>13992</b>
<b>1963-1962 All:</b>			Bearing .....		<b>R1563-TAV</b>
Seal .....		<b>20118</b>	(Axle Repair Brg. Assy.) .....		• <i>R1563</i>
Bearing (Inner) .....		<b>BR5</b>	<b>1979-1977 B &amp; O Axles w/8.50" Ring Gear:</b>		
(Set Components) .....	<i>LM48548/LM48510</i>		Seal .....		<b>16735</b>
Bearing (Outer) .....		<b>BR3</b>	Bearing .....		<b>BR9</b>
(Set Components) .....	<i>M12649/M12610</i>		<b>1976 C, G &amp; K Axles w/8.50" Ring Gear:</b>		
<b>1961-1959 All:</b>			Seal .....		◇16044
Seal .....		<b>20118</b>	(Superseded by:)		<b>16404</b>
Bearing (Inner) .....		<b>B66</b>	Bearing .....		<b>R1559-TV</b>
Bearing (Outer) .....		<b>B73</b>	(Axle Repair Brg. Assy.) .....		• <i>R1559</i>
<b>1958-1957 All:</b>			<b>1976-1973 9.375" Ring Gear:</b>		
Seal .....		<b>20118</b>	Seal .....		<b>18710</b>
Bearing (Inner) .....		<b>B62</b>	Bearing .....		<b>BR10</b>
Bearing (Outer) .....		<b>B25</b>	<b>1976-1973 P Axle w/8.875" Ring Gear:</b>		
<b>1956-1953 All:</b>			Seal .....		◇16044
Seal .....		<b>20118</b>	(Superseded by:)		<b>16404</b>
Bearing (Inner) .....		<b>B62</b>	Bearing .....		<b>R1559-TV</b>
Bearing (Outer) .....		<b>B67</b>	(Axle Repair Brg. Assy.) .....		• <i>R1559</i>
<b>1952-1941 All:</b>			<b>1976-1973 B &amp; O Axles w/8.50" Ring Gear:</b>		
Seal .....		<b>20118</b>	Seal .....		<b>18710</b>
Bearing (Inner) .....		<b>B52</b>	Bearing .....		<b>BR10</b>
Bearing (Outer) .....		<b>B67</b>	<b>1973 C Axle w/8.50" Ring Gear:</b>		
<b>Wheel Rear</b>			Seal .....		◇16044
<b>1992-1988 Custom Cruiser:</b>			(Superseded by:)		<b>16404</b>
Seal .....		◇16044	Bearing .....		<b>R1563-TAV</b>
(Superseded by:)		<b>16404</b>	(Axle Repair Brg. Assy.) .....		• <i>R1563</i>
Bearing .....		<b>R1559-TV</b>	<b>1972-1971 All:</b>		
(Axle Repair Brg. Assy.) .....		• <i>R1559</i>	Seal .....		<b>18710</b>
<b>1987 Custom Cruiser w/o 3.23 Rr. Axle Ratio:</b>			Bearing .....		<b>BR10</b>
Seal .....		◇16044	<b>1970-1968 All:</b>		
(Superseded by:)		<b>16404</b>	Seal .....		<b>15376</b>
Bearing .....		<b>R1559-TV</b>	<b>1967-1965 Exc. J-88:</b>		
(Axle Repair Brg. Assy.) .....		• <i>R1559</i>	Seal .....		<b>15376</b>
<b>1987 Custom Cruiser w/3.23 Rr. Axle Ratio:</b>			Sealed Bearing w/Lock Ring .....		<b>88128-R</b>
Seal .....		<b>13992</b>	<b>1966-1964 J-88:</b>		
Bearing .....		<b>R1563-TAV</b>	Seal .....		<b>13492</b>
(Axle Repair Brg. Assy.) .....		• <i>R1563</i>	Sealed Bearing w/Lock Ring .....		<b>RW507-CR</b>
					(Continued)

# Passenger cars, light & medium trucks

(Cont.) -- Oldsmobile (RWD) (Full Size), Custom Cruiser, Delta 88 (thru 1985), Jetstar, Starfire (thru 1966), 88 (thru 1985), 98 (thru 1984)

MFG./YEAR	MODEL & LOCATION	PART NO.	MFG./YEAR	MODEL & LOCATION	PART NO.
<b>Wheel Rear (Cont.)</b>			<b>Pinion (Cont.)</b>		
1964-1958	Exc. J-88:		<b>Rear Axle (Cont.)</b>		
	Seal	15343	1970-1965	Exc. J-88:	
	Sealed Bearing w/Lock Ring	88128-R		Seal	19273
1955	All:			(Speedi-Sleeve)	99193
	Seal	15039		Bearing (Front)	BR52
	Sealed Bearing w/Lock Ring	88128-R		(Set Components)	M88048/M88010
1954-1941	All:			Bearing (Rear)	M804049/M804010
	Sealed Bearing w/Lock Ring	88128-R	1966-1964	J-88:	
<b>Pinion</b>				Seal	16500
<b>Rear Axle</b>				Bearing (Front)	M86649/M86610
1992-1991	Custom Cruiser:			Bearing (Rear)	HM89449/HM89410
	Seal	19273	1964-1963	Exc. J-88:	
	(Speedi-Sleeve)	99193		Seal	19310
	Bearing (Front)	M802048/M802011		(Speedi-Sleeve)	99193
	Bearing (Rear)	BR52		Bearing (Front)	HM88649/HM88610
	(Set Components)	M88048/M88010		Bearing (Rear)	M804049/M804010
1990-1971	8.50" Ring Gear:		1962-1957	All:	
	Seal	19273		Seal	19438
	(Speedi-Sleeve)	99193		(Speedi-Sleeve)	99193
	Bearing (Front)	BR52		Bearing (Front)	HM89446/HM89410
	(Set Components)	M88048/M88010		Bearing (Rear)	HM804846/HM804810
	Bearing (Rear)	M802048/M802011	1956-1953	All:	
1987-1980	7.50" Ring Gear w/3.125" O.D. Rr. Brg.:			Seal	19438
	Seal	15315		(Speedi-Sleeve)	99193
	(Speedi-Sleeve)	99152		Bearing (Front)	HM89446/HM89410
	Bearing (Front)	M86649/M86610		Bearing (Rear)	BR3779/BR3720
	Bearing (Rear)	HM89249/HM89210	1952-1948	All:	
1983-1982	8.75" Ring Gear:			Bearing (Front)	BR31590/BR31520
	Seal	19273		Bearing (Rear)	BR3779/BR3720
	(Speedi-Sleeve)	99193	<b>Differential</b>		
	Bearing (Front)	BR52	1992-1991	Custom Cruiser:	
	(Set Components)	M88048/M88010		Bearing	BR72
	Bearing (Rear)	M802048/M802011		(Set Components)	LM501349/LM501314
1981-1977	7.50" Ring Gear w/3.0" O.D. Rr. Brg.:		1990-1971	8.50" Ring Gear:	
	Seal	15315		Bearing	BR72
	(Speedi-Sleeve)	99152		(Set Components)	LM501349/LM501314
	Bearing (Front)	M86649/M86610	1987-1977	7.50" Ring Gear:	
	Bearing (Rear)	HM89449/HM89410		Bearing	BR72
1981-1977	8.875" Ring Gear:			(Set Components)	LM501349/LM501314
	Seal	19273	1983-1982	8.75" Ring Gear:	
	(Speedi-Sleeve)	99193		Bearing	BR36
	Bearing (Front)	BR52		(Set Components)	LM603049/LM603012
	(Set Components)	M88048/M88010	1981-1971	8.875" Ring Gear:	
	Bearing (Rear)	M802048/M802011		Bearing	BR36
1976-1971	8.875" Ring Gear:			(Set Components)	LM603049/LM603012
	Seal	19273	1975-1971	9.375" Ring Gear:	
	(Speedi-Sleeve)	99193		Bearing	BR36
	Bearing (Front)	BR52		(Set Components)	LM603049/LM603012
	(Set Components)	M88048/M88010	1970-1965	Exc. J-88:	
	Bearing (Rear)	M804049/M804010		Bearing	BR36
1975-1971	9.375" Ring Gear:			(Set Components)	LM603049/LM603012
	Seal	19273	1966-1964	J-88:	
	(Speedi-Sleeve)	99193		Bearing	BR72
	Bearing (Front)	BR52		(Set Components)	LM501349/LM501314
	(Set Components)	M88048/M88010	1964-1953	Exc. J-88:	
	Bearing (Rear)	M804049/M804010		Bearing	BR25584/BR25520

(Continued)

**Oldsmobile (RWD) (Full Size), Custom Cruiser, Delta 88 (thru 1985), Jetstar, Starfire (thru 1966), 88 (thru 1985), 98 (thru 1984) -- (Cont.)**

MFG./YEAR	MODEL & LOCATION	PART NO.	MFG./YEAR	MODEL & LOCATION	PART NO.
<b>Differential (Cont.)</b>			<b>Transmission-Automatic (Cont.)</b>		
<b>Kit</b>			<b>Rear</b>		
1985-1982	7.50 " Ring Gear:		1992-1991	Custom Cruiser:	
	Standard Seal and Bearing Kit Rear	SDK320		Seal	15041
	Master Seal and Bearing Kit Rear	SDK320-MK		(Speedi-Sleeve)	99149
				(Speedi-Sleeve/Seal Kit)	480150
<b>Clutch</b>			1988-1965	w/o THM425 Trans.:	
<b>Pilot</b>				Seal	15041
1971-1966	All:			(Speedi-Sleeve)	99149
	Bearing	BR7109		(Speedi-Sleeve/Seal Kit)	480150
1965	8 Cyl. Eng. 2nd Design:		1980-1969	THM425 Trans.:	
	Bearing	BR7109		Seal	18992
<b>Release</b>			1964-1957	All:	
1971	Delta 88 Custom:			Seal	16871
	Bearing Only	N1085		(Speedi-Sleeve)	99168
	Bearing Assembly	N1086-SA	1956	Type "O" Trans.:	
1971	Delta 88 Royal:			Seal	16871
	Bearing Assembly	N1488		(Speedi-Sleeve)	99168
1970-1968	H.D. Clutch:		1955-1952	All:	
	Bearing Assembly	N1488		Seal	16871
1970-1968	Std. Clutch:			(Speedi-Sleeve)	99168
	Bearing Only	N1085	1951	All:	
	Bearing Assembly	N1086-SA		Seal	15041
1970-1966	425 & 455 Engs.:			(Speedi-Sleeve)	99149
	Bearing Assembly	N1488		(Speedi-Sleeve/Seal Kit)	480150
1967-1964	330 Eng.:		<b>Shift Shaft</b>		
	Bearing Only	N1085	1990-1975	All:	
	Bearing Assembly	N1086-SA		Seal	4912
1964	Exc. J-88:			(Speedi-Sleeve)	99050
	Bearing Only	N1136		(Speedi-Sleeve/Seal Kit)	480050
1963-1950	All:		1964-1961	All:	
	Bearing Only	N1136		Seal	4911
				(Speedi-Sleeve)	99050
<b>Transmission-Automatic</b>			<b>Transmission-Manual</b>		
<b>Front</b>			<b>Countershaft</b>		
1992-1991	THM700 Trans.:		1970-1965	Exc. J-88:	
	Seal Kit	17459		Bearing	[50] C1086-Q
	(Speedi-Sleeve)	99174	1966-1965	3 Spd. H.D. Trans. w/J-88:	
1990-1977	THM200 Trans.:			Bearing	[50] C1086-Q
	Seal	17458	1966-1965	4 Spd. Trans. w/J-88:	
	(Speedi-Sleeve)	99174		Bearing	[112] C407-Q
1984-1976	THM250, THM350, THM375 & THM425 Trans.:		1965-1964	3 Spd. Trans. w/J-88:	
	Seal	18692		Bearing	[50] C407-Q
	(Speedi-Sleeve)	99187	<b>Front</b>		
	(Speedi-Sleeve/Seal Kit)	480187	1970-1966	3 Spd. Trans. Exc. Muncie & J-88:	
1975-1965	All:			Seal	12360
	Seal	18692		(Speedi-Sleeve)	99125
	(Speedi-Sleeve)	99187		Bearing	■ 6208-NRJ
	(Speedi-Sleeve/Seal Kit)	480187	1969	3 Spd. Muncie Trans.:	
1964-1961	All:			Seal	12360
	Seal	11650		(Speedi-Sleeve)	99125
	(Speedi-Sleeve)	99122		Bearing	■ 6307-NJ
1960-1957	All:		1966	3 Spd. Trans. w/J-88:	
	Seal	24899		Seal	12360
	(Speedi-Sleeve)	99250		(Speedi-Sleeve)	99125
1956	Type "O" Trans.:			Bearing	■ 6208-NRJ
	Seal	23646	1966	4 Spd. Trans. w/J-88:	
	(Speedi-Sleeve)	99238		Seal	12360
1956	Type "R" Trans.:			(Speedi-Sleeve)	99125
	Seal	25950		Bearing	307-VSP82
1955-1946	All:				(Continued)
	Seal	25950			

## Passenger cars, light & medium trucks

(Cont.) -- Oldsmobile (RWD) (Full Size), Custom Cruiser, Delta 88 (thru 1985), Jetstar, Starfire (thru 1966), 88 (thru 1985), 98 (thru 1984)

MFG./YEAR	MODEL & LOCATION	PART NO.	MFG./YEAR	MODEL & LOCATION	PART NO.
<b>Transmission-Manual (Cont.)</b>			<b>Transmission-Manual (Cont.)</b>		
<b>Front (Cont.)</b>			<b>Rear (Cont.)</b>		
1965-1964	3 Spd. Trans. Exc. J-88:		1963-1961	3 Spd. Trans.:	
	Bearing .....	307-ZNRJ		Seal .....	15142
1965-1964	4 Spd. Trans. w/J-88:			(Speedi-Sleeve) .....	99149
	Bearing .....	307-VSP82		Bearing .....	6207-ZNRJ
1963-1951	3 Spd. Trans. Exc. J-88:		1960-1957	All:	
	Bearing .....	6207-ZNRJ		Seal .....	16871
1950	3 Spd. Trans. Exc. 8 Cyl. Eng.:			(Speedi-Sleeve) .....	99168
	Bearing .....	6207-ZNRJ	1956-1946	All:	
1949-1946	3 Spd. Trans.:			Seal .....	15041
	Bearing .....	6207-ZNRJ		(Speedi-Sleeve) .....	99149
<b>Mainshaft Pilot</b>				(Speedi-Sleeve/Seal Kit) .....	480150
1970-1965	3 Spd. Trans. 2nd Design Exc. J-88:		<b>Shift Shaft</b>		
	Bearing .....	[15] QBR23549	1964-1946	All:	
1966-1964	4 Spd. Trans. w/J-88:			Seal .....	6141
	Bearing .....	JV44-1419		(Speedi-Sleeve) .....	99062
1965-1964	3 Spd. Trans. w/J-88:		<b>Air Conditioning Clutch</b>		
	Bearing (Front) .....	[14] C1110-Q	1990-1958	All:	
1964-1956	3 Spd. Trans.:			Bearing .....	5908-VAW
	Bearing .....	[14] QBR23549	<b>Air Conditioning Compressor</b>		
<b>Rear</b>			1988-1975	Radial Comp.:	
1970-1966	3 Spd. Trans. Exc. Muncie & J-88:			Bearing .....	B128
	Seal .....	15041	<b>Alternator</b>		
	(Speedi-Sleeve) .....	99149	1992-1991	108 & 124 Amp.:	
	(Speedi-Sleeve/Seal Kit) .....	480150		Bearing (Front) .....	6203-2RSJ
	Bearing .....	6207-NRJ		Bearing (Rear) .....	6000-2RSJ
1969	3 Spd. Muncie Trans.:		1990-1983	w/o 70 Amp.:	
	Seal .....	15041		Bearing (Front) .....	6203-2RSJ
	(Speedi-Sleeve) .....	99149		Bearing (Rear) .....	MNJ471-S
	(Speedi-Sleeve/Seal Kit) .....	480150	1983	70 Amp.:	
	Bearing .....	6307-NJ		Bearing (Front) .....	6203-2RSJ
1966-1964	4 Spd. Trans. w/J-88:			Bearing (Rear) .....	BA608
	Seal .....	15041	1982-1980	70 & 85 Amp.:	
	(Speedi-Sleeve) .....	99149		Bearing (Front) .....	6203-ZJ
	(Speedi-Sleeve/Seal Kit) .....	480150		Bearing (Rear) .....	BA608
	Bearing .....	6308-NJ	1981-1976	w/o 70 & 85 Amp.:	
1965	3 Spd. Trans. Exc. J-88:			Bearing (Front) .....	6203-ZJ
	Seal .....	15041		Bearing (Rear) .....	MNJ471-S
	(Speedi-Sleeve) .....	99149	1979-1976	70 & 85 Amp.:	
	(Speedi-Sleeve/Seal Kit) .....	480150		Bearing (Front) .....	6203-ZJ
	Bearing .....	307-J	1975-1972	All:	
1965-1964	3 Spd. Trans. w/J-88:			Bearing (Front) .....	6203-ZJ
	Seal .....	15041		Bearing (Rear) .....	MNJ471-S
	(Speedi-Sleeve) .....	99149	1971-1969	Exc. 442:	
	(Speedi-Sleeve/Seal Kit) .....	480150		Bearing (Front) .....	6203-RSJ
1964	3 Spd. Trans. Exc. J-88:			Bearing (Rear) .....	MNJ471-S
	Seal .....	15142	1971-1969	442:	
	(Speedi-Sleeve) .....	99149		Bearing (Front) .....	6203-ZJ
	Bearing .....	307-J		Bearing (Rear) .....	MNJ471-S
1964	4 Spd. Trans. Exc. J-88:		1968-1962	All:	
	Seal .....	15142		Bearing (Front) .....	6203-RSJ
	(Speedi-Sleeve) .....	99149		Bearing (Rear) .....	MNJ471-S
	Bearing .....	6207-ZNRJ	<b>Drive Shaft</b>		
1963-1962	4 Spd. Trans.:		1960-1958	2nd Design:	
	Seal .....	15041		Bearing .....	6908-VAL
	(Speedi-Sleeve) .....	99149			(Continued)
	(Speedi-Sleeve/Seal Kit) .....	480150			
	Bearing .....	6207-ZNRJ			

**Oldsmobile (RWD) (Full Size), Custom Cruiser, Delta 88 (thru 1985), Jetstar, Starfire (thru 1966), 88 (thru 1985), 98 (thru 1984) -- (Cont.)**

MFG./YEAR	MODEL & LOCATION	PART NO.	MFG./YEAR	MODEL & LOCATION	PART NO.
<b>Engine</b>			<b>Generator</b>		
<b>Crankshaft-Rear</b>			1962-1956 All:		
1992-1991 Custom Cruiser:			Bearing (Front) ..... 6203-J		
Seal (Viton) ..... 37026			Bearing (Rear) ..... 6203-RSJ		
(Speedi-Sleeve) (Viton) ..... 99369			1955-1946 All:		
Seal ..... 37027			Bearing (Front) ..... 6203-J		
(Speedi-Sleeve) ..... 99364			<b>Steering-Power</b>		
1988-1975 260 (4.3L), 307 (5.0L), 350 R, Diesel (5.7L), 403 (6.6L) & 455 (7.5L) Engs.:			<b>Pitman Shaft</b>		
Seal Kit ..... 191			1990-1957 All:		
1985-1977 231 (3.8L) & 252 (4.1L) Engs.:			Seal (Inner) ..... 12371		
Seal Kit ..... 191			Seal (Outer) ..... 12355		
1982-1977 267 (4.4L) & 350 L (5.7L) Engs.:			Seal Kit ..... 12392		
Seal Kit ..... 199			1956 All:		
1979 301 (5.0L) Eng.:			Seal ..... 12371		
Seal Kit ..... 185			1955 All:		
1975 400 (6.6L) Eng.:			Seal ..... 11055		
Seal Kit ..... 185			<b>Pump Shaft</b>		
1974-1964 All:			1990-1964 All:		
Seal Kit ..... 191			Seal ..... 7475		
<b>Timing Cover</b>			1963-1958 w/o Air Ride:		
1992-1991 Custom Cruiser:			Seal ..... 7475		
Seal ..... 17286			1957-1956 All:		
(Speedi-Sleeve) ..... 99176			Seal ..... 9663		
(Speedi-Sleeve/Seal Kit) ..... 480177			1955-1952 All:		
1990-1975 260 (4.3L), 307 (5.0L), 350 R, Diesel (5.7L), 403 (6.6L) & 455 (7.5L) Engs.:			Seal ..... 9664		
Seal ..... 19887			<b>Worm Shaft</b>		
(Speedi-Sleeve) ..... 99199			1988-1979 2nd Design:		
1985-1977 231 (3.8L) & 252 (4.1L) Engs.:			Seal ..... 7905		
Seal Kit ..... 144			1979-1976 1st Design:		
1982-1977 267 (4.4L) & 350 (5.7L) Gas Engs.:			Seal ..... 8660		
Seal ..... 17286			1975-1959 All:		
(Speedi-Sleeve) ..... 99176			Seal ..... 8660		
(Speedi-Sleeve/Seal Kit) ..... 480177			1958-1956 All:		
1979 301 (5.0L) Eng.:			Seal ..... 8648		
Seal ..... 18492			<b>Steering-Standard</b>		
(Speedi-Sleeve) ..... 99186			<b>Pitman Shaft</b>		
(Speedi-Sleeve/Seal Kit) ..... 480184			1972-1964 All:		
1976 350 X (5.7L) Eng.:			Seal ..... 11055		
Seal Kit ..... 144			1963-1955 All:		
1975 400 (6.6L) Eng.:			Seal ..... 11067		
Seal ..... 18492			1954-1949 All:		
(Speedi-Sleeve) ..... 99186			Seal ..... 11055		
(Speedi-Sleeve/Seal Kit) ..... 480184			<b>Worm Shaft</b>		
1974-1964 w/o 330 (5.4L) Eng.:			1972-1963 All:		
Seal ..... 19887			Seal ..... 7481		
(Speedi-Sleeve) ..... 99199					
1964 330 (5.4L) Eng.:					
Seal ..... 19922					
(Speedi-Sleeve) ..... 99199					
1962-1946 All:					
Seal ..... 18581					
(Speedi-Sleeve) ..... 99187					



# Passenger cars, light & medium trucks

## Oldsmobile (RWD) Cutlass (thru 1987), Cutlass Wagon (thru 1987), F-85, Vista Cruiser, 4-4-2

MFG./YEAR	MODEL & LOCATION	PART NO.	MFG./YEAR	MODEL & LOCATION	PART NO.
<b>Wheel Front</b>			<b>Wheel Rear (Cont.)</b>		
1987-1982	All:		1969-1966	Exc. Vista Cruiser:	
	Seal .....	19984		Seal .....	13492
	Bearing (Inner) .....	BR6		Sealed Bearing w/Lock Ring .....	RW507-CR
	(Set Components) .....	LM67048/LM67010	1965-1964	All:	
	Bearing (Outer) .....	BR34		Seal .....	13492
	(Set Components) .....	LM12748/LM12710		Sealed Bearing w/Lock Ring .....	RW507-CR
1981-1979	All:		1963-1961	All:	
	Seal .....	19984		Bearing .....	88107-AR
	Bearing (Inner) .....	BR6	<b>Pinion</b>		
	(Set Components) .....	LM67048/LM67010	1987-1984	8.50" Ring Gear:	
	Bearing (Outer) .....	BR3		Seal .....	19273
	(Set Components) .....	M12649/M12610		(Speedi-Sleeve) .....	99193
1978-1973	All:			Bearing (Front) .....	BR52
	Seal .....	19984		(Set Components) .....	M88048/M88010
	Bearing (Inner) .....	BR6		Bearing (Rear) .....	M802048/M802011
	(Set Components) .....	LM67048/LM67010	1987-1980	7.50" Ring Gear w/3.125" O.D. Rr. Brg.:	
	Bearing (Outer) .....	BR2		Seal .....	15315
	(Set Components) .....	LM11949/LM11910		(Speedi-Sleeve) .....	99152
1972-1969	All:			Bearing (Front) .....	M86649/M86610
	Seal .....	17187		Bearing (Rear) .....	HM89249/HM89210
	Bearing (Inner) .....	BR6	1981-1978	7.50" Ring Gear w/3.0" O.D. Rr. Brg.:	
	(Set Components) .....	LM67048/LM67010		Seal .....	15315
	Bearing (Outer) .....	BR2		(Speedi-Sleeve) .....	99152
	(Set Components) .....	LM11949/LM11910		Bearing (Front) .....	M86649/M86610
1968-1967	Disc Brks.:			Bearing (Rear) .....	HM89449/HM89410
	Seal .....	17187	1977	8.875" Ring Gear:	
	Bearing (Inner) .....	BR6		Seal .....	19273
	(Set Components) .....	LM67048/LM67010		(Speedi-Sleeve) .....	99193
	Bearing (Outer) .....	BR2		Bearing (Front) .....	BR52
	(Set Components) .....	LM11949/LM11910		(Set Components) .....	M88048/M88010
1968-1961	Drum Brks.:			Bearing (Rear) .....	M802048/M802011
	Seal .....	17815	1977-1971	8.50" Ring Gear:	
	Bearing (Inner) .....	BR6		Seal .....	19273
	(Set Components) .....	LM67048/LM67010		(Speedi-Sleeve) .....	99193
	Bearing (Outer) .....	BR2		Bearing (Front) .....	BR52
	(Set Components) .....	LM11949/LM11910		(Set Components) .....	M88048/M88010
<b>Wheel Rear</b>				Bearing (Rear) .....	M802048/M802011
1987-1978	All:		1976-1973	8.875" & 9.375" Ring Gears:	
	Seal .....	13992		Seal .....	19273
	Bearing .....	R1563-TAV		(Speedi-Sleeve) .....	99193
	(Axle Repair Brg. Assy.) .....	• R1563		Bearing (Front) .....	BR52
1977-1975	C, G & K Axles w/8.50" Ring Gear:			(Set Components) .....	M88048/M88010
	Seal .....	13992		Bearing (Rear) .....	M804049/M804010
	Bearing .....	R1563-TAV	1970-1966	O & P Axles:	
	(Axle Repair Brg. Assy.) .....	• R1563		Seal .....	19273
1977-1973	B & O Axles w/8.50" Ring Gear:			(Speedi-Sleeve) .....	99193
	Seal .....	16735		Bearing (Front) .....	M86649/M86610
	Bearing .....	BR9		Bearing (Rear) .....	M802048/M802011
1977-1973	M & P Axles w/8.875" Ring Gear:		1969-1968	C Axle:	
	Seal .....	✧16044		Seal .....	17190
	(Superseded by.) .....	16404		(Speedi-Sleeve) .....	99170
	Bearing .....	R1559-TV		Bearing (Front) .....	BR52
	(Axle Repair Brg. Assy.) .....	• R1559		(Set Components) .....	M88048/M88010
1972-1971	Vista Cruiser:			Bearing (Rear) .....	M802048/M802011
	Seal .....	18710	1967-1966	B Axle:	
	Bearing .....	BR10		Seal .....	16500
1972-1970	Exc. Vista Cruiser:			Bearing (Front) .....	M86649/M86610
	Seal .....	16735		Bearing (Rear) .....	HM89449/HM89410
	Bearing .....	BR9			(Continued)
1970-1969	Vista Cruiser:				
	Seal .....	18731			
	Bearing .....	BR10			

**Oldsmobile (RWD) Cutlass (thru 1987), Cutlass Wagon (thru 1987), F-85, Vista Cruiser, 4-4-2 -- (Cont.)**

MFG./YEAR	MODEL & LOCATION	PART NO.	MFG./YEAR	MODEL & LOCATION	PART NO.
<b>Pinion (Cont.)</b>			<b>Clutch (Cont.)</b>		
<b>1965-1964 All:</b>			<b>Release (Cont.)</b>		
	Seal .....	16500	1971-1970	350 (5.7L) 4 Bbl. Eng. w/o Outside Air Induction:	
	Bearing (Front) .....	M86649/M86610		Bearing Assembly .....	N1488
	Bearing (Rear) .....	HM89449/HM89410	1970	455 (7.5L) Eng.:	
<b>1963-1961 All:</b>				Bearing Assembly .....	N1488
	Seal .....	15779	1970-1968	350 (5.7L) Eng. w/Outside Air Induction:	
	(Speedi-Sleeve) .....	99156		Bearing Assembly .....	N1488
	Bearing (Front) .....	BR52	1969-1966	250 (4.1L) Eng.:	
	(Set Components) .....	M88048/M88010		Bearing Only .....	N1085
	Bearing (Rear) .....	M802048/M802011		Bearing Assembly .....	N1086-SA
<b>Differential</b>			1967-1965	Vista Cruiser:	
<b>1987-1973 7.50" &amp; 8.50" Ring Gears:</b>				Bearing Assembly .....	N1488
	Bearing .....	BR72	1967-1964	330 (5.4L) Eng. Exc. Vista Cruiser:	
	(Set Components) .....	LM501349/LM501314		Bearing Only .....	N1085
<b>1977-1973 8.875" Ring Gear:</b>				Bearing Assembly .....	N1086-SA
	Bearing .....	BR36	1965-1964	V6 225 (3.7L) Eng.:	
	(Set Components) .....	LM603049/LM603012		Bearing Assembly .....	N1741-SA
<b>1972-1970 All:</b>			1963-1961	All:	
	Bearing .....	BR72		Bearing Assembly .....	N1488
	(Set Components) .....	LM501349/LM501314	<b>Transmission-Automatic</b>		
<b>1969 w/o Canadian:</b>			<b>Front Pump</b>		
	Bearing .....	BR72	1987	THM200 Trans.:	
	(Set Components) .....	LM501349/LM501314		Seal .....	17458
<b>1969-1968 Canadian:</b>				(Speedi-Sleeve) .....	99174
	Bearing .....	BR36	1986-1978	THM200 Trans.:	
	(Set Components) .....	LM603049/LM603012		Seal .....	17458
<b>1968-1967 Performance Axle:</b>				(Speedi-Sleeve) .....	99174
	Bearing .....	BR36	1984-1965	THM250, THM350, THM375, THM400 & THM425 Trans.:	
	(Set Components) .....	LM603049/LM603012		Seal .....	18692
<b>1968-1964 w/o Performance Axle &amp; Canadian:</b>				(Speedi-Sleeve) .....	99187
	Bearing .....	BR72		(Speedi-Sleeve/Seal Kit) .....	480187
	(Set Components) .....	LM501349/LM501314	1969-1964	Jetaway Trans.:	
<b>Kit</b>				Seal .....	18692
<b>1987-1978 7.50" Ring Gear:</b>				(Speedi-Sleeve) .....	99187
	Standard Seal and Bearing Kit Rear .....	SDK320		(Speedi-Sleeve/Seal Kit) .....	480187
	Master Seal and Bearing Kit Rear .....	SDK320-MK	1964-1961	Hydramatic Trans.:	
<b>Clutch</b>				Seal .....	11650
<b>Pilot</b>				(Speedi-Sleeve) .....	99122
<b>1981-1976 231 (3.8L) &amp; 250 (4.1L) Eng.:</b>			<b>Rear</b>		
	Bearing (Bushing) .....	B656	1987-1969	THM200, THM250, THM350 & THM375 Trans.:	
	(Heavy Duty) .....	B657		Seal .....	15041
<b>1975-1965 8 Cyl. Eng.:</b>				(Speedi-Sleeve) .....	99149
	Bearing .....	BR7109		(Speedi-Sleeve/Seal Kit) .....	480150
<b>Release</b>			1977-1965	THM400 & THM425 Trans.:	
<b>1981-1979 Exc. '79 260 (4.3L) Eng.:</b>				Seal .....	18992
	Bearing Assembly .....	N1488	1969-1964	Jetaway Trans.:	
<b>1979 260 (4.3L) Eng.:</b>				Seal .....	15041
	Bearing Only .....	N1085		(Speedi-Sleeve) .....	99149
	Bearing Assembly .....	N1086-SA		(Speedi-Sleeve/Seal Kit) .....	480150
<b>1978-1975 Exc. '77 231 (3.8L) Eng.:</b>			1964-1961	Hydramatic Trans.:	
	Bearing Only .....	N1085		Seal .....	16871
	Bearing Assembly .....	N1086-SA		(Speedi-Sleeve) .....	99168
<b>1977 231 (3.8L) Eng.:</b>				(Speedi-Sleeve/Seal Kit) .....	480150
	Bearing Assembly .....	N1741-SA			
<b>1973 All:</b>					
	Bearing Assembly .....	N1488			
<b>1972-1968 350 (5.7L) 2 Bbl. Eng. w/o Outside Air Induction:</b>					
	Bearing Only .....	N1085			
	Bearing Assembly .....	N1086-SA			

(Continued)

# Passenger cars, light & medium trucks

(Cont.) -- Oldsmobile (RWD) Cutlass (thru 1987), Cutlass Wagon (thru 1987), F-85, Vista Cruiser, 4-4-2

MFG./YEAR	MODEL & LOCATION	PART NO.	MFG./YEAR	MODEL & LOCATION	PART NO.
<b>Transmission-Automatic (Cont.)</b>			<b>Transmission-Manual (Cont.)</b>		
<b>Shift Shaft</b>			<b>Front (Cont.)</b>		
1987-1975 All:			1969-1966 3 Spd. Trans. w/8 Cyl. Eng.:		
	Seal .....	4912		Seal .....	12363
	(Speedi-Sleeve) .....	99050		(Speedi-Sleeve) .....	99125
	(Speedi-Sleeve/Seal Kit) .....	480050	1967-1966 3 Spd. Trans. w/6 Cyl. Eng.:		
<b>Transmission-Manual</b>				Seal .....	12363
<b>Countershaft</b>				(Speedi-Sleeve) .....	99125
1981-1975 4 Spd. Trans.:			1965 3 Spd. H.D. Trans. 1st Design:		
	Bearing .....	[112] C407-Q		Seal .....	12363
1981-1964 3 Spd. Std. Duty Trans.:				(Speedi-Sleeve) .....	99125
	Bearing .....	[54] C407-Q		Bearing .....	307-ZNRJ
1973-1965 4 Spd. Trans.:			1963-1962 4 Spd. Trans.:		
	Bearing .....	[112] C407-Q		Bearing .....	6307-NRJ
1971-1970 3 Spd. H.D. Trans. w/Floor Shift:			1962-1961 3 Spd. Trans.:		
	Bearing .....	[116] C407-Q		Bearing .....	■ 6207-NRJ
1970-1965 3 Spd. H.D. Trans. w/Column Shift:			<b>Mainshaft Pilot</b>		
	Bearing .....	[50] C1086-Q	1973-1964 4 Spd. Trans.:		
1963-1961 3 Spd. Trans.:				Bearing .....	JV44-1419
	Bearing .....	[44] C407-Q	1970-1966 3 Spd. Muncie Trans.:		
<b>Front</b>				Bearing .....	[15] QBR23549
1981-1980 4 Spd. Trans.:			1965-1964 3 Spd. Trans.:		
	Seal .....	12363		Bearing (Front) .....	[14] C1110-Q
	(Speedi-Sleeve) .....	99125	1963-1961 All:		
	Bearing .....	6207-ZNRJ		Bearing .....	[14] QBR23549
1981-1972 3 Spd. Trans.:			<b>Rear</b>		
	Seal .....	12363	1981-1980 All:		
	(Speedi-Sleeve) .....	99125		Seal .....	15041
	Bearing .....	6207-ZNRJ		(Speedi-Sleeve) .....	99149
1979 4 Spd. Trans.:				(Speedi-Sleeve/Seal Kit) .....	480150
	Seal .....	12363	1979-1978 4 Spd. Trans. w/o 231 A Eng.:		
	(Speedi-Sleeve) .....	99125		Seal .....	15041
1979-1976 5 Spd. Trans.:				(Speedi-Sleeve) .....	99149
	Seal .....	12329		(Speedi-Sleeve/Seal Kit) .....	480150
	(Speedi-Sleeve) .....	99125	1979-1978 4 Spd. Trans. w/231 A Eng.:		
1978 4 Spd. Trans. Exc. 231 A Eng.:				Seal .....	15041
	Seal .....	12363		(Speedi-Sleeve) .....	99149
	(Speedi-Sleeve) .....	99125		(Speedi-Sleeve/Seal Kit) .....	480150
1978 4 Spd. Trans. w/231 A Eng.:			1979-1976 5 Spd. Trans.:		
	Seal .....	12363		Seal .....	15041
	(Speedi-Sleeve) .....	99125		(Speedi-Sleeve) .....	99149
	Bearing .....	6207-ZNRJ		(Speedi-Sleeve/Seal Kit) .....	480150
1973-1964 4 Spd. Trans.:			1979-1975 3 Spd. Trans.:		
	Bearing .....	307-VSP82		Seal .....	15041
1971-1970 3 Spd. Trans. w/o H.D. Trans.:				(Speedi-Sleeve) .....	99149
	Seal .....	12363		(Speedi-Sleeve/Seal Kit) .....	480150
	(Speedi-Sleeve) .....	99125	1974-1966 3 Spd. Trans. w/8 Cyl. Eng.:		
	Bearing .....	6207-ZNRJ		Seal .....	15041
1971-1970 3 Spd. H.D. Trans. w/Floor Shift:				(Speedi-Sleeve) .....	99149
	Seal .....	12363		(Speedi-Sleeve/Seal Kit) .....	480150
	(Speedi-Sleeve) .....	99125	1973-1971 4 Spd. Trans.:		
	Bearing .....	■ 6307-NJ		Seal .....	18992
1971-1965 3 Spd. H.D. Trans. 2nd Design Fully Synchronized Trans. w/o Floor Shift:				Bearing .....	■ 6308-NJ
	Seal .....	12363	1971-1970 3 Spd. H.D. Trans. w/Floor Shift:		
	(Speedi-Sleeve) .....	99125		Seal .....	15041
	Bearing .....	■ 6208-NRJ		(Speedi-Sleeve) .....	99149
1969-1968 3 Spd. Trans. w/6 Cyl. Eng.:				(Speedi-Sleeve/Seal Kit) .....	480150
	Seal .....	12363		Bearing .....	■ 6307-NJ
	(Speedi-Sleeve) .....	99125			(Continued)
	Bearing .....	6207-ZNRJ			

Oldsmobile (RWD) Cutlass (thru 1987), Cutlass Wagon (thru 1987), F-85, Vista Cruiser, 4-4-2 -- (Cont.)

MFG./YEAR	MODEL & LOCATION	PART NO.	MFG./YEAR	MODEL & LOCATION	PART NO.
<b>Transmission-Manual (Cont.)</b>			<b>Alternator (Cont.)</b>		
<b>Rear (Cont.)</b>			1979-1976 70 & 85 Amp.:		
1971-1966	3 Spd. Trans. w/6 Cyl. Eng.:		Bearing (Front)		6203-ZJ
	Seal	15041	1975-1972 All:		
	(Speedi-Sleeve)	99149	Bearing (Front)		6203-ZJ
	(Speedi-Sleeve/Seal Kit)	480150	Bearing (Rear)		MNJ471-S
1971-1965	3 Spd. H.D. Trans. 2nd Design Fully Synchronized Trans. w/o Floor Shift:		1971-1961 All:		
	Seal	15041	Bearing (Front)		6203-ZJ
	(Speedi-Sleeve)	99149	Bearing (Rear)		MNJ471-S
	(Speedi-Sleeve/Seal Kit)	480150			
	Bearing	■ 6207-NRJ	<b>Drive Shaft</b>		
1970-1964	4 Spd. Trans.:		1963-1961 All:		
	Seal	15041	Bearing		6908-VAL
	(Speedi-Sleeve)	99149	<b>Engine</b>		
	(Speedi-Sleeve/Seal Kit)	480150	<b>Crankshaft-Rear</b>		
	Bearing	■ 6308-NJ	1987-1981	307 (5.0L) Eng.:	
1965	3 Spd. H.D. Trans. 1st Design:		Seal Kit		191
	Seal	15041	1987-1977	231 (3.8L) Gas & 260 (4.3L) Diesel Eng.:	
	(Speedi-Sleeve)	99149	Seal Kit		191
	(Speedi-Sleeve/Seal Kit)	480150	1986	305 (5.0L) Eng.:	
	Bearing	307-J	Seal (Viton)		37026
1964	3 Spd. Trans.:		(Speedi-Sleeve) (Viton)		99369
	Seal	15041	Seal		37027
	(Speedi-Sleeve)	99149	(Speedi-Sleeve)		99364
	(Speedi-Sleeve/Seal Kit)	480150	1985-1979	350 (5.7L) Diesel Eng.:	
	Bearing	6307-NRJ	Seal Kit		191
1963-1962	4 Spd. Trans.:		1985-1978	267 (4.4L), 305 (5.0L) & 350 L (5.7L) Gas Eng.:	
	Seal	15041	Seal Kit		199
	(Speedi-Sleeve)	99149	1977-1968	350 (5.7L) Eng.:	
	(Speedi-Sleeve/Seal Kit)	480150	Seal Kit		191
	Bearing	6307-NRJ	1977-1965	400, 403 & 455 Eng.:	
1963-1961	3 Spd. Trans.:		Seal Kit		191
	Seal	15041	1976-1968	250 (L6) Eng.:	
	(Speedi-Sleeve)	99149	Seal Kit		199
	(Speedi-Sleeve/Seal Kit)	480150	1967-1964	V6 225 & V8 330 Eng.:	
	Bearing	■ 6207-NJ	Seal Kit		191
			1963-1961 All:		
			Seal Kit		191
			<b>Timing Cover</b>		
			1987-1979	307 (5.0L) & 350 R, Diesel (5.7L) Eng.:	
			Seal		19887
			(Speedi-Sleeve)		99199
			1987-1977	231 (3.8L) Eng.:	
			Seal Kit		144
			1986-1978	267 (4.4L), 305 (5.0L) & 350 L (5.7L) Gas Eng.:	
			Seal		17286
			(Speedi-Sleeve)		99176
			(Speedi-Sleeve/Seal Kit)		480177
			1984-1976	260 (4.3L) Gas & Diesel Eng.:	
			Seal		19887
			(Speedi-Sleeve)		99199
			1977-1965	400, 403 & 455 Eng.:	
			Seal		19887
			(Speedi-Sleeve)		99199
			1977-1964	330 & 350 Eng.:	
			Seal		19887
			(Speedi-Sleeve)		99199
					(Continued)

## Passenger cars, light & medium trucks

(Cont.) -- Oldsmobile (RWD) Cutlass (thru 1987), Cutlass Wagon (thru 1987), F-85, Vista Cruiser, 4-4-2

MFG./YEAR	MODEL & LOCATION	PART NO.	MFG./YEAR	MODEL & LOCATION	PART NO.
<b>Engine (Cont.)</b>			<b>Steering-Power (Cont.)</b>		
<b>Timing Cover (Cont.)</b>			<b>Pump Shaft (Cont.)</b>		
1976-1966	250 (L6) Eng.:		1963-1961	All:	
	Seal .....	17286		Seal .....	6765
	(Speedi-Sleeve) .....	99176	<b>Worm Shaft</b>		
	(Speedi-Sleeve/Seal Kit) .....	480177	1987-1979	800 Gear (4 Bolt Side Cvr.) 2nd Design:	
1965-1964	225 (3.7L) Eng.:			Seal .....	7905
	Seal Kit .....	144	1983-1978	605 Gear (Round Side Cvr.):	
1963-1961	All:			Seal .....	8648
	Seal Kit .....	144	1979-1961	800 Gear (4 Bolt Side Cvr.) 1st Design:	
<b>Steering-Power</b>				Seal .....	8660
<b>Pitman Shaft</b>			<b>Steering-Standard</b>		
1987-1961	800 Gear (4 Bolt Side Cvr.):		<b>Housing</b>		
	Seal (Inner) .....	12371	1980-1964	All:	
	Seal (Outer) .....	12355		Seal .....	7481
	Seal Kit .....	12392	1963-1961	All:	
1983-1978	605 Gear (Round Side Cvr.):			Seal .....	7415
	Seal .....	11143	<b>Pitman Shaft</b>		
<b>Pump Shaft</b>			1980-1961	All:	
1987-1967	All:			Seal .....	11055
	Seal .....	7475			
1966	w/o L6 Eng.:				
	Seal .....	7475			
1966	L6 Eng.:				
	Seal .....	6765			
1965-1964	All:				
	Seal .....	7475			

## Oldsmobile (RWD) Omega (thru 1979), Starfire (from 1975)

### Wheel Front

1980-1975	Starfire:	
	Seal .....	17187
	Bearing (Inner) .....	BR6
	(Set Components) .....	LM67048/LM67010
	Bearing (Outer) .....	BR1
	(Set Components) .....	LM11749/LM11710
1979	Omega:	
	Seal .....	19984
	Bearing (Inner) .....	BR6
	(Set Components) .....	LM67048/LM67010
	Bearing (Outer) .....	BR3
	(Set Components) .....	M12649/M12610
1978-1975	Omega:	
	Seal .....	19984
	Bearing (Inner) .....	BR6
	(Set Components) .....	LM67048/LM67010
	Bearing (Outer) .....	BR2
	(Set Components) .....	LM11949/LM11910
1974-1973	Omega:	
	Seal .....	17187
	Bearing (Inner) .....	BR6
	(Set Components) .....	LM67048/LM67010
	Bearing (Outer) .....	BR2
	(Set Components) .....	LM11949/LM11910

### Wheel Rear

1980-1973	All:	
	Seal .....	13992
	Bearing .....	R1563-TAV
	(Axle Repair Brg. Assy.) .....	• R1563
<b>Pinion</b>		
1980-1975	Starfire w/7.50" Ring Gear:	
	Seal .....	15315
	(Speedi-Sleeve) .....	99152
	Bearing (Front) .....	M86649/M86610
	Bearing (Rear) .....	HM88649/HM88610
1979-1976	Omega w/7.50" Ring Gear:	
	Seal .....	15315
	(Speedi-Sleeve) .....	99152
	Bearing (Front) .....	M86649/M86610
	Bearing (Rear) .....	HM89449/HM89410
1979-1973	Omega w/8.50" Ring Gear:	
	Seal .....	19273
	(Speedi-Sleeve) .....	99193
	Bearing (Front) .....	BR52
	(Set Components) .....	M88048/M88010
	Bearing (Rear) .....	M802048/M802011
1977-1976	Starfire w/6.50" Ring Gear:	
	Seal .....	15315
	(Speedi-Sleeve) .....	99152
	Bearing (Front) .....	M86649/M86610
	Bearing (Rear) .....	BR52
	(Set Components) .....	M88048/M88010

(Continued)

Oldsmobile (RWD) Omega (thru 1979), Starfire (from 1975) -- (Cont.)

MFG./YEAR	MODEL & LOCATION	PART NO.	MFG./YEAR	MODEL & LOCATION	PART NO.
<b>Differential</b>			<b>Transmission-Manual (Cont.)</b>		
1980-1975	Starfire w/7.50" Ring Gear:		<b>Front</b>		
	Bearing .....	BR72	1980-1978	4 Spd. Trans.:	
	(Set Components) .....	LM501349/LM501314		Seal .....	12363
1979-1973	Omega:			(Speedi-Sleeve) .....	99125
	Bearing .....	BR72		Bearing .....	6207-ZNRJ
	(Set Components) .....	LM501349/LM501314	1979-1976	5 Spd. Trans.:	
1977-1976	Starfire w/6.50" Ring Gear:			Seal .....	12329
	Bearing .....	LM48548/LM48511		(Speedi-Sleeve) .....	99125
<b>Clutch</b>			1979-1973	3 Spd. Trans.:	
<b>Pilot</b>				Seal .....	12363
1980-1976	w/o 260 Eng.:			(Speedi-Sleeve) .....	99125
	Bearing (Bushing) .....	B656		Bearing .....	6207-ZNRJ
	(Heavy Duty) .....	B657	1977	4 Spd. Trans. w/305 U Eng.:	
1976-1975	260 Eng.:			Seal .....	11700
	Bearing .....	BR7109		(Speedi-Sleeve) .....	99122
1975-1973	V8 Eng.:		1976-1973	4 Spd. Trans.:	
	Bearing .....	BR7109		Seal .....	12363
<b>Release</b>				(Speedi-Sleeve) .....	99125
1980-1975	Starfire:			Bearing .....	6207-ZNRJ
	Bearing Assembly .....	N1488	<b>Rear</b>		
	(Self-Aligning) .....	N3068-SA	1980-1978	4 Spd. Trans.:	
1979	Omega:			Seal .....	15041
	Bearing Assembly .....	N1488		(Speedi-Sleeve) .....	99149
	(Self-Aligning) .....	N3068-SA		(Speedi-Sleeve/Seal Kit) .....	480150
1978-1974	Omega Exc. '77 231 Eng.:		1979-1976	5 Spd. Trans.:	
	Bearing Only .....	N1085		Seal .....	15041
	Bearing Assembly .....	N1086-SA		(Speedi-Sleeve) .....	99149
1977	Omega w/231 Eng.:			(Speedi-Sleeve/Seal Kit) .....	480150
	Bearing Assembly .....	N1741-SA	1979-1973	3 Spd. Trans.:	
1973	Omega w/L6 Eng.:			Seal .....	15041
	Bearing Only .....	N1085		(Speedi-Sleeve) .....	99149
	Bearing Assembly .....	N1086-SA		(Speedi-Sleeve/Seal Kit) .....	480150
1973	Omega w/350 Eng.:		1977	4 Spd. Trans. w/305 U Eng.:	
	Bearing Assembly .....	N1488		Seal .....	15041
	(Self-Aligning) .....	N3068-SA		(Speedi-Sleeve) .....	99149
<b>Transmission-Automatic</b>				(Speedi-Sleeve/Seal Kit) .....	480150
<b>Front Pump</b>			1976-1973	4 Spd. Trans.:	
1980-1977	THM200 Trans.:			Seal .....	15041
	Seal .....	17458		(Speedi-Sleeve) .....	99149
	(Speedi-Sleeve) .....	99174		(Speedi-Sleeve/Seal Kit) .....	480150
1980-1973	THM350 & THM375 Trans.:		<b>Shift Shaft</b>		
	Seal .....	18692	1979-1976	3 Spd. & 4 Spd. Trans.:	
	(Speedi-Sleeve) .....	99187		Seal .....	7410
	(Speedi-Sleeve/Seal Kit) .....	480187		(Speedi-Sleeve) .....	99076
<b>Rear</b>				(Speedi-Sleeve/Seal Kit) .....	480074
1980-1973	All:		<b>Air Conditioning Clutch</b>		
	Seal .....	15041	1980-1973	All:	
	(Speedi-Sleeve) .....	99149		Bearing .....	5908-VAW
	(Speedi-Sleeve/Seal Kit) .....	480150	<b>Alternator</b>		
<b>Shift Shaft</b>			1980	70 & 85 Amp.:	
1980-1973	All:			Bearing (Front) .....	6203-ZJ
	Seal .....	4912		Bearing (Rear) .....	BA608
	(Speedi-Sleeve) .....	99050	1980-1973	w/o 70 & 85 Amp.:	
	(Speedi-Sleeve/Seal Kit) .....	480050		Bearing (Front) .....	6203-ZJ
<b>Transmission-Manual</b>				Bearing (Rear) .....	MNJ471-S
<b>Countershaft</b>			1979-1976	70 & 85 Amp.:	
1980-1973	3 Spd. & 4 Spd. Trans.:			Bearing (Front) .....	6203-ZJ
	Bearing .....	[112] C407-Q			(Continued)

# Passenger cars, light & medium trucks

## (Cont.) -- Oldsmobile (RWD) Omega (thru 1979), Starfire (from 1975)

MFG./YEAR	MODEL & LOCATION	PART NO.	MFG./YEAR	MODEL & LOCATION	PART NO.
<b>Engine</b>			<b>Steering-Power</b>		
<b>Camshaft</b>			<b>Pitman Shaft</b>		
1977-1976	140 (2.3L) Eng.:		1980-1973	800 Gear w/4 Bolt Side Cvr.:	
	Seal .....	17286		Seal (Inner) .....	12371
	(Speedi-Sleeve) .....	99176		Seal (Outer) .....	12355
	(Speedi-Sleeve/Seal Kit) .....	480177		Seal Kit .....	12392
<b>Crankshaft-Rear</b>			1979-1977	605 Gear w/Round Side Cvr.:	
1980-1979	151 (2.5L) Crossflow Eng.:			Seal .....	11143
	Seal .....	29868	<b>Pump Shaft</b>		
	(Speedi-Sleeve) .....	99300	1980-1973	All:	
1980-1975	231 (3.8L) Eng.:			Seal .....	7475
	Seal Kit .....	191	<b>Steering Gear</b>		
1979-1978	151 (2.5L) Exc. Crossflow Eng.:		1975-1973	Adj. Plug:	
	Seal Kit .....	199		Bearing .....	B148
1979-1977	305 (5.0L) & 350 L (5.7L) Eng.:		<b>Worm Shaft</b>		
	Seal Kit .....	199	1980-1979	800 Gear 2nd Design w/4 Bolt Side Cvr.:	
1976-1973	250 (4.1L) Eng.:			Seal .....	7861
	Seal Kit .....	199	1979-1977	605 Gear w/Round Side Cvr.:	
1976-1973	260 (4.3L) & 350 R (5.7L) Eng.:			Seal .....	8648
	Seal Kit .....	191	1979-1973	800 Gear 1st Design w/4 Bolt Side Cvr.:	
<b>Timing Cover</b>				Seal .....	8660
1980-1978	151 (2.5L) Eng.:		<b>Steering-Standard</b>		
	Seal .....	17286	<b>Pitman Shaft</b>		
	(Speedi-Sleeve) .....	99176	1980-1973	Exc. Starfire w/4 Cyl. Eng.:	
	(Speedi-Sleeve/Seal Kit) .....	480177		Seal .....	11055
1980-1975	231 (3.8L) Eng.:		1979	2nd Design Starfire w/4 Cyl. Eng.:	
	Seal Kit .....	144		Seal .....	11055
1979-1977	305 (5.0L) & 350 L (5.7L) Eng.:		<b>Worm Shaft</b>		
	Seal .....	17286	1980-1973	Exc. Starfire w/4 Cyl. Eng.:	
	(Speedi-Sleeve) .....	99176		Seal .....	7481
	(Speedi-Sleeve/Seal Kit) .....	480177	1979	2nd Design Starfire w/4 Cyl. Eng.:	
1977-1976	140 (2.3L) Eng.:			Seal .....	7481
	Seal .....	14939	1979-1976	1st Design Starfire w/4 Cyl. Eng.:	
	(Speedi-Sleeve) .....	99149		Seal .....	6130
1976-1973	250 (4.0L) Eng.:		<b>Oldsmobile APV Silhouette</b>		
	Seal .....	17286	<b>Wheel Front</b>		
	(Speedi-Sleeve) .....	99176	1995-1992	All:	
	(Speedi-Sleeve/Seal Kit) .....	480177		Hub Assembly .....	BR930076
1976-1973	260 (4.3L) & 350 R (5.7L) Eng.:		1991-1990	All:	
	Seal .....	19887		Seal .....	24097
	(Speedi-Sleeve) .....	99199		Hub Assembly (Kit) .....	BR930022K
			<b>Wheel Rear</b>		
			1995-1992	w/o A.W.D.:	
				Hub Assembly .....	BR930078
			1991-1990	All:	
				Hub Assembly .....	BR930026
			<b>Transaxle-Automatic</b>		
			<b>Front Pump</b>		
			1995-1990	4T60E & THM125 Trans.:	
				Seal .....	17849
			<b>Transaxle-Automatic (Cont.)</b>		
			<b>Output Shaft</b>		
			1995-1992	4T60E & 4T65E Trans.:	
				Seal (L.H.) .....	13959
				(Speedi-Sleeve) (L.H.) .....	99139
				Seal (R.H.) .....	13750
				(Speedi-Sleeve) (R.H.) .....	99138
			1995-1990	THM125C Trans.:	
				Seal .....	13750
				(Speedi-Sleeve) .....	99138
			<b>Shift Shaft</b>		
			1995-1990	All:	
				Seal .....	4912
				(Speedi-Sleeve) .....	99050
				(Speedi-Sleeve/Seal Kit) .....	480050
			(Continued)		

<b>Wheel Front</b>			<b>Transaxle-Automatic (Cont.)</b>		
1995-1992	All:		<b>Output Shaft</b>		
	Hub Assembly .....	BR930076	1995-1992	4T60E & 4T65E Trans.:	
1991-1990	All:			Seal (L.H.) .....	13959
	Seal .....	24097		(Speedi-Sleeve) (L.H.) .....	99139
	Hub Assembly (Kit) .....	BR930022K		Seal (R.H.) .....	13750
<b>Wheel Rear</b>				(Speedi-Sleeve) (R.H.) .....	99138
1995-1992	w/o A.W.D.:		1995-1990	THM125C Trans.:	
	Hub Assembly .....	BR930078		Seal .....	13750
1991-1990	All:			(Speedi-Sleeve) .....	99138
	Hub Assembly .....	BR930026	<b>Shift Shaft</b>		
<b>Transaxle-Automatic</b>			1995-1990	All:	
<b>Front Pump</b>				Seal .....	4912
1995-1990	4T60E & THM125 Trans.:			(Speedi-Sleeve) .....	99050
	Seal .....	17849		(Speedi-Sleeve/Seal Kit) .....	480050
			(Continued)		

**Oldsmobile APV Silhouette -- (Cont.)**

MFG./YEAR	MODEL & LOCATION	PART NO.	MFG./YEAR	MODEL & LOCATION	PART NO.
<b>Air Conditioning Clutch</b>			<b>Engine (Cont.)</b>		
1995-1990	All:		<b>Timing Cover</b>		
	Bearing	5908-VAW	1995-1992	231 (3.8L) Eng.:	
<b>Alternator</b>				Seal	19387
1995-1992	231 (3.8L) Eng. w/140 Amp.:			(Speedi-Sleeve)	99193
	Bearing (Rear)	DB65093	1994-1990	189 (3.1L) Eng.:	
<b>Engine</b>				Seal	17286
<b>Crankshaft-Rear</b>				(Speedi-Sleeve)	99176
1995-1992	231 (3.8L) Eng.:			(Speedi-Sleeve/Seal Kit)	480177
	Seal	32289	<b>Steering-Power</b>		
	(Speedi-Sleeve)	99328	<b>Pump Shaft</b>		
1994-1990	189 (3.1L) Eng.:		1995-1992	207 (3.4L) & 231 (3.8L) Eng.:	
	Seal	29862		Seal	7475
	(Speedi-Sleeve)	99298			

**Oldsmobile Truck Bravada**

<b>Wheel Front</b>			<b>Transfer Case</b>		
1994-1991	All:		<b>Drive Link Sprocket</b>		
	Seal	21961	1994-1991	All:	
	Hub Assembly	BR930064		Bearing	6009-J
<b>Axle Shaft</b>			<b>Front Output Shaft</b>		
1994-1991	All:		1994-1991	All:	
	Seal	12494		Seal	18994
	Bearing (Outer)	B2010		Bearing (Front)	6207-J
<b>Wheel Rear</b>				Bearing (Rear)	JH1612
1994-1991	All:		<b>Mainshaft</b>		
	Seal	14002	1994-1991	All:	
	Bearing	R1563-TAV		Seal (Rear)	17502
	(Axle Repair Brg. Assy.)	• R1563		(Speedi-Sleeve)	99174
<b>Pinion</b>				Bearing (Rear)	■ 6208-ZNJ
<b>Front Axle</b>			<b>Rear Extension</b>		
1994-1991	All:		1994-1992	All:	
	Seal	15306		Seal	18687
	(Speedi-Sleeve)	99152	1991	All:	
	Bearing (Front)	BR52		Seal	15041
	(Set Components)	M88048/M88010		(Speedi-Sleeve)	99149
	Bearing (Rear)	M86649/M86610		(Speedi-Sleeve/Seal Kit)	480150
<b>Rear Axle</b>			<b>Transmission-Automatic</b>		
1994-1991	All:		<b>Front Pump</b>		
	Seal	15315	1994-1991	THM700 & 4L60E Trans.:	
	(Speedi-Sleeve)	99152		Seal Kit	17459
	Bearing (Front)	M86649/M86610		(Speedi-Sleeve)	99174
	Bearing (Rear)	HM89249/HM89210	<b>Rear</b>		
<b>Differential</b>			1994-1991	All:	
<b>Kit</b>				Seal	15041
1994-1991	7.50 " Ring Gear:			(Speedi-Sleeve)	99149
	Standard Seal and Bearing Kit Rear	SDK320-A		(Speedi-Sleeve/Seal Kit)	480150
<b>Front Axle</b>			<b>Shift Shaft</b>		
1994-1991	All:		1994-1991	All:	
	Bearing	BR11		Seal	4912
	(Set Components)	JL69349/JL69310		(Speedi-Sleeve)	99050
<b>Rear Axle</b>				(Speedi-Sleeve/Seal Kit)	480050
1994-1991	All:		<b>Air Conditioning Clutch</b>		
	Bearing	BR72	1994-1991	All:	
	(Set Components)	LM501349/LM501314		Bearing	5908-VAW
			(Continued)		



MFG./YEAR	MODEL & LOCATION	PART NO.	MFG./YEAR	MODEL & LOCATION	PART NO.
<b>Drive Shaft</b>			<b>Steering-Power</b>		
1994-1991 All:			<b>Pitman Shaft</b>		
	Bearing .....	BR88107	1994-1991 All:		
	Bearing & Support .....	HB88107-A		Seal Kit .....	12392
<b>Engine</b>			<b>Pump Shaft</b>		
<b>Crankshaft-Rear</b>			1994-1991 All:		
1994-1991 262 (4.3L) Eng.:				Seal .....	7475
	Seal (Viton) .....	37026	<b>Worm Shaft</b>		
	(Speedi-Sleeve) (Viton) .....	99369	1993-1991 All:		
	Seal .....	37027		Seal .....	7861
	(Speedi-Sleeve) .....	99364			
<b>Timing Cover</b>					
1995-1991 256 (4.2L) & 262 (4.3L) Eng.:					
	Seal .....	17286			
	(Speedi-Sleeve) .....	99176			
	(Speedi-Sleeve/Seal Kit) .....	480177			

**Opel**

<b>Wheel Front</b>		
1979-1976 All:		
	Seal .....	14704
	Bearing (Inner) .....	BR4
	(Set Components) .....	L44649/L44610
	Bearing (Outer) .....	BR1
	(Set Components) .....	LM11749/LM11710
1975-1968 All:		
	Seal .....	550270
	Bearing (Inner) .....	BR4
	(Set Components) .....	L44649/L44610
	Bearing (Outer) .....	BR1
	(Set Components) .....	LM11749/LM11710
<b>Pinion</b>		
1979-1976 All:		
	Seal .....	20440
	(Speedi-Sleeve) .....	99204
	Bearing (Rear) .....	BR32206
1975-1968 1.9L Eng. w/Axle Sh. 414025:		
	Seal .....	17750
	(Speedi-Sleeve) .....	99177
	Bearing (Rear) .....	BR32206
1971-1968 1.1L Eng.:		
	Seal .....	17750
	(Speedi-Sleeve) .....	99177
	Bearing (Rear) .....	BR32206
1967-1964 Kadett:		
	Seal .....	550154
	(Speedi-Sleeve) .....	99174
	Bearing (Rear) .....	BR32206
<b>Differential</b>		
1980-1978 Monza & Senator:		
	Bearing .....	[2] BR35
	(Set Components) .....	LM501349/LM501310
1977-1969 Diplomat w/8 Cyl. Eng.:		
	Bearing .....	[2] BR36
	(Set Components) .....	LM603049/LM603012
1977-1967 Diplomat w/6 Cyl. Eng.:		
	Bearing .....	[2] BR72
	(Set Components) .....	LM501349/LM501314

<b>Differential (Cont.)</b>		
1977-1967 Commodore:		
	Bearing .....	[2] BR72
	(Set Components) .....	LM501349/LM501314
1977-1965 Admiral:		
	Bearing .....	[2] BR72
	(Set Components) .....	LM501349/LM501314
1968-1965 Kapitän:		
	Bearing .....	[2] BR72
	(Set Components) .....	LM501349/LM501314
1968-1965 Diplomat w/8 Cyl. Eng.:		
	Bearing .....	[2] BR72
	(Set Components) .....	LM501349/LM501314
1966-1965 Rekord w/6 Cyl. Eng.:		
	Bearing .....	[2] BR35
	(Set Components) .....	LM501349/LM501310
1964-1960 Kapitän P & LP:		
	Bearing .....	[2] BR13687
<b>Clutch</b>		
<b>Pilot</b>		
1979-1976 All:		
	Bearing .....	6203-2RSJ
1966-1964 Rekord w/L-6:		
	Bearing .....	6207-ZJ
1964-1954 Rekord:		
	Bearing .....	6202-ZJ
<b>Release</b>		
1980-1968 All:		
	Bearing Assembly .....	N3036
<b>Transmission-Automatic</b>		
<b>Front Pump</b>		
1979-1976 All:		
	Seal .....	17458
	(Speedi-Sleeve) .....	99174
1975-1969 All:		
	Seal .....	18671
	(Speedi-Sleeve) .....	99187

(Continued)

**Opel -- (Cont.)**

MFG./YEAR	MODEL & LOCATION	PART NO.	MFG./YEAR	MODEL & LOCATION	PART NO.
<b>Transmission-Automatic (Cont.)</b>			<b>Engine (Cont.)</b>		
<b>Rear</b>			<b>Timing Cover</b>		
<b>1979-1969 All:</b>			<b>1979-1976 1.8L Eng.:</b>		
	Seal .....	15041		Seal .....	19619
	(Speedi-Sleeve) .....	99149		(Speedi-Sleeve) .....	99196
	(Speedi-Sleeve/Seal Kit) .....	480150	<b>1979-1976 231 Eng.:</b>		
<b>Shift Shaft</b>			Seal Kit .....		
<b>1979-1969 All:</b>			144		
	Seal .....	4912	<b>1975-1972 All:</b>		
	(Speedi-Sleeve) .....	99050	Seal .....		
	(Speedi-Sleeve/Seal Kit) .....	480050	17750		
<b>Transmission-Manual</b>			(Speedi-Sleeve) .....		
<b>Front</b>			99177		
<b>1979-1976 All:</b>			<b>1971-1968 1.5L &amp; 1.9L Eng.:</b>		
	Seal .....	10661	Seal .....		
	(Speedi-Sleeve) .....	99106	17750		
<b>Air Conditioning Clutch</b>			(Speedi-Sleeve) .....		
<b>1979-1976 All:</b>			99177		
	Bearing .....	6006-RSJ	<b>Steering-Power</b>		
<b>Alternator</b>			<b>Pitman Shaft</b>		
<b>1979-1976 All:</b>			<b>1979-1976 All:</b>		
	Bearing (Front) .....	6203-2RSJ	Seal (Inner) .....		
	Bearing (Rear) .....	6201-2RSJ	12371		
<b>1975-1968 All:</b>			Seal (Outer) .....		
	Bearing (Front) .....	6203-ZJ	12355		
	Bearing (Rear) .....	MNJ471-S	Seal Kit .....		
<b>Engine</b>			12392		
<b>Crankshaft-Rear</b>			<b>Pump Shaft</b>		
<b>1979-1976 1.8L Eng.:</b>			<b>1979-1976 All:</b>		
	Seal .....	32304	Seal .....		
	(Speedi-Sleeve) .....	99328	7475		
<b>1979-1976 231 Eng.:</b>					
	Seal Kit .....	191			

**Peugeot**

<b>Wheel Front</b>		<b>Wheel Rear</b>		
<b>1991-1989 405:</b>		<b>1985 505 w/Turbo &amp; Disc Brks.:</b>		
	Sealed Bearing .....	FW47	Seal (Inner) .....	
<b>1985-1976 504 From Chas. No. 2181357, 505, 604:</b>			21361	
	Seal .....	17750	Seal (Outer) .....	
	Bearing (Inner) .....	BR33	21610	
	Bearing (Outer) .....	BR32005	Bearing .....	
<b>1984-1977 604:</b>			GRW221	
	Seal .....	17750	<b>1985 505 w/o Turbo:</b>	
	Bearing (Inner) .....	BR33	Seal (Inner) .....	
	Bearing (Outer) .....	BR32005	21361	
<b>1976-1974 404 &amp; 504 Thru Chas. No. 2181356:</b>			Seal (Outer) .....	
	Seal .....	16518	21610	
<b>1972-1971 304 w/o Snap Ring on Inn. Brg.:</b>			Bearing .....	
	Seal (Inner) .....	21318	GRW221	
	Seal (Outer) .....	21610	<b>1984-1981 505 From Chas. 303736 &amp; 1214150:</b>	
<b>1972-1971 304 w/Snap Ring on Inn. Brg.:</b>			Seal (Inner) .....	
	Seal (Inner) .....	21345	21361	
	Seal (Outer) .....	21610	Seal (Outer) .....	
			21610	
			Bearing .....	
			GRW221	
			<b>1982-1976 504 Wgn.:</b>	
			Bearing .....	
			6308-J	
			<b>1982-1969 504 Exc. Wgn.:</b>	
			Seal (Inner) .....	
			21318	
			Seal (Outer) .....	
			21610	

(Continued)

MFG./YEAR	MODEL & LOCATION	PART NO.	MFG./YEAR	MODEL & LOCATION	PART NO.
<b>Wheel Rear (Cont.)</b>			<b>Transmission-Automatic</b>		
1981-1980	505 Thru Chas. 303735 & Thru Chas. 1214149:		<b>Front Pump</b>		
	Seal (Inner) .....	21318	1985-1969	504, 505 & 604 w/ZF3HP22 Trans.:	
	Seal (Outer) .....	21610		Seal .....	15803
1980-1977	604 Exc. Diesel Eng.:			(Speedi-Sleeve) .....	99157
	Seal (Inner) .....	21318	1984-1977	604 w/GMS Trans.:	
	Seal (Outer) .....	21610		Seal .....	18692
1972-1971	304:			(Speedi-Sleeve) .....	99187
	Seal .....	15805		(Speedi-Sleeve/Seal Kit) .....	480187
	Bearing (Inner) .....	BR30205	<b>Rear</b>		
	Bearing (Outer) .....	BR30204	1985-1968	404, 504 w/ZF3HP12 & ZF3HP22 Trans.; 604:	
1970-1964	404:			Seal .....	15700
	Seal .....	550154		(Speedi-Sleeve) .....	99157
	Bearing .....	6207-J	<b>Transmission-Manual</b>		
1967-1954	403:		<b>Front</b>		
	Bearing .....	6207-J	1985-1977	505 & 604:	
<b>Pinion</b>				Seal .....	12756
1985-1969	504, 505 & 604:			(Speedi-Sleeve) .....	99128
	Bearing (Front) .....	BR52	<b>Rear</b>		
	(Set Components) .....	M88048/M88010	1985-1964	404, 504, 505 & 604:	
	Bearing (Rear) .....	HM89449/HM89410		Seal .....	15835
<b>Differential</b>				(Speedi-Sleeve) .....	99157
1985-1969	504 Exc. Wgn., 505 & 604:		<b>Air Conditioning Clutch</b>		
	Seal .....	17736	1985-1980	505:	
	(Speedi-Sleeve) .....	99177		Bearing .....	AC2
	Bearing .....	BR37	<b>Alternator</b>		
	(Set Components) .....	LM603049/LM603011	1985-1980	505 w/Bosch:	
1982-1971	504 Wgn.:			Bearing (Front) .....	6203-2RSJ
	Bearing .....	BR37		Bearing (Rear) .....	6201-2RSJ
	(Set Components) .....	LM603049/LM603011	1985-1980	505 w/Motorola:	
1972-1971	304 Thru Chas. 3757509:			Bearing (Front) .....	6203-2RSJ
	Bearing .....	BR30208		Bearing (Rear) .....	6200-2RSJ
1970-1964	404:		1985-1980	505 w/Paris-Rhone A13R268:	
	Bearing .....	BR30208		Bearing (Front) .....	6203-2RSJ
1967-1954	403:		1985-1980	505 w/Paris-Rhone A14N16, 80, 88:	
	Bearing .....	BR30208		Bearing (Front) .....	6203-2RSJ
				Bearing (Rear) .....	6201-2RSJ
<b>Clutch</b>			1985-1980	505 w/Paris-Rhone A14R35:	
<b>Pilot</b>				Bearing (Front) .....	6303-2RSJ
1985	505 w/Turbo Gas Eng.:			Bearing (Rear) .....	6201-2RSJ
	Bearing .....	6003-2RSJ	1985-1977	505, 604 w/Paris-Rhone A14R41:	
1984-1977	604 w/4 Cyl. & 6 Cyl. Eng.:			Bearing (Front) .....	6303-2RSJ
	Bearing .....	6203-2RSJ		Bearing (Rear) .....	6201-2RSJ
<b>Release</b>			1982-1969	504 Exc. Ducellier & Paris-Rhone A14R29, 47:	
1985-1982	505 w/o Turbo:			Bearing (Front) .....	6203-2RSJ
	Bearing Assembly .....	N4009		Bearing (Rear) .....	6201-2RSJ
1984-1977	604 w/Diesel Eng.:		1982-1969	504 w/Paris-Rhone A14R29, 47:	
	Bearing Assembly .....	N4009		Bearing (Front) .....	6303-2RSJ
1982	504 w/Diesel Eng.:			Bearing (Rear) .....	6201-2RSJ
	Bearing Assembly .....	N4009	1982-1964	304, 404, 504 w/Ducellier:	
<b>Transaxle-Manual</b>				Bearing (Front) .....	6203-2RSJ
<b>Output Shaft</b>				Bearing (Rear) .....	6201-2RSJ
1972-1971	304:		1972-1971	304 w/Bosch:	
	Seal .....	15700		Bearing (Front) .....	6203-2RSJ
	(Speedi-Sleeve) .....	99157		Bearing (Rear) .....	6201-2RSJ
			1972-1971	304 w/Paris-Rhone A12R12, 13:	
				Bearing (Front) .....	6203-2RSJ
			1972-1971	304 w/Paris-Rhone A13M12, 15, A13R129, 174, 175:	
				Bearing (Front) .....	6203-2RSJ
				Bearing (Rear) .....	6201-2RSJ

(Continued)

## Passenger cars, light & medium trucks

### Peugeot -- (Cont.)

MFG./YEAR	MODEL & LOCATION	PART NO.	MFG./YEAR	MODEL & LOCATION	PART NO.
<b>Alternator (Cont.)</b>			<b>Engine (Cont.)</b>		
1972-1964	304, 404 w/S.E.V. Marchal:		<b>Timing Cover (Cont.)</b>		
	Bearing (Front) .....	6203-2RSJ	1985-1977	505 w/Gas Eng. w/o Turbo; 604 w/V6 Eng.:	
	Bearing (Rear) .....	6200-2RSJ		Seal .....	16523
1970-1964	404 w/Paris-Rhone:			(Speedi-Sleeve) .....	99169
	Bearing (Front) .....	6203-2RSJ	1984-1977	604 w/Diesel Eng.:	
	Bearing (Rear) .....	6201-2RSJ		Seal .....	16514
<b>Engine</b>				(Speedi-Sleeve) .....	99169
<b>Crankshaft-Rear</b>			1983-1964	404, 504 & 505 w/Diesel Eng.:	
1985-1969	504, 505 & 604 w/Diesel Eng.:			Seal .....	16514
	Seal Kit .....	191		(Speedi-Sleeve) .....	99169
1984-1977	604 w/o Diesel Eng.:		1972-1971	304 w/1.3L Eng.:	
	Seal .....	31492		Seal .....	16514
	(Speedi-Sleeve) .....	99315		(Speedi-Sleeve) .....	99169
1970-1964	404:		<b>Generator</b>		
	Seal Kit .....	191	1970-1964	404 From Chas. No. 4417359:	
<b>Timing Cover</b>				Bearing .....	6203-2RSJ
1985	505 w/Turbo Gas Eng.:		1970-1964	404 Thru Chas. No. 4417358:	
	Seal .....	15700		Bearing .....	6203-J
	(Speedi-Sleeve) .....	99157			
1985-1984	505 w/Diesel Eng.:				
	Seal .....	17629			
	(Speedi-Sleeve) .....	99177			

### Plymouth (FWD) Acclaim, Caravelle (from 1985), Horizon, Reliant, Sundance, TC3, Turismo

#### Wheel Front

1995-1991 All:	
Seal .....	21952
Seal (w/Sleeve) .....	21962
Hub Assembly .....	BR930013
1990-1989 Exc. Horizon, TC3 & Turismo:	
Seal .....	21952
Seal (w/Sleeve) .....	21962
Bearing .....	B42
Hub Assembly .....	BR930002
1990-1984 Horizon, TC3 & Turismo:	
Seal .....	21952
Seal (w/Sleeve) .....	21962
Sealed Bearing .....	B39
Hub Assembly .....	BR930000
1988-1984 Exc. Horizon, TC3 & Turismo:	
Seal .....	21952
Seal (w/Sleeve) .....	21962
Sealed Bearing .....	B42
Hub Assembly (4 Bolt) .....	BR930001
Hub Assembly (5 Bolt) .....	BR930002
1983-1981 All:	
Seal .....	21952
Seal (w/Sleeve) .....	21962
Sealed Bearing .....	B39
Hub Assembly .....	BR930000
1980-1979 Horizon, TC3 & Turismo:	
Sealed Bearing .....	B39
Hub Assembly .....	BR930000
1978 All:	
Bearing (2.835" O.D.) .....	B34
Bearing (3.000" O.D.) .....	B39

#### Wheel Rear

1995-1983 All:	
Seal .....	16599
Bearing (Inner) .....	BR39
Bearing (Outer) .....	BR16
(Set Components) .....	LM12749/LM12711
1982-1978 All:	
Seal .....	14848
Bearing (Inner) .....	BR4
(Set Components) .....	L44649/L44610
Bearing (Outer) .....	BR2
(Set Components) .....	LM11949/LM11910

#### Clutch

##### Release

1994-1990 All:	
Bearing Assembly .....	N4122
1989-1984 All:	
Bearing Assembly .....	N3013-SA
1983-1981 4 Spd. Trans. w/1.7L Eng.:	
Bearing Assembly .....	N4075
1983-1981 4 Spd. Trans. w/2.2L Eng.:	
Bearing Assembly .....	N3013-SA
1980-1978 All:	
Bearing Assembly .....	N4075

#### Transaxle-Automatic

##### Differential

1995-1982 w/o A412 Trans.:	
Bearing .....	[2] BR11
(Set Components) .....	JL69349/JL69310
1983-1978 A412 Transaxle:	
Bearing .....	[2] BR12
(Set Components) .....	LM12749/LM12710

(Continued)

Passenger cars, light & medium trucks

(Cont.) -- Plymouth (FWD) Acclaim, Caravelle (from 1985), Horizon, Reliant, Sundance, TC3, Turismo

MFG./YEAR	MODEL & LOCATION	PART NO.	MFG./YEAR	MODEL & LOCATION	PART NO.
<b>Transaxle-Automatic (Cont.)</b>			<b>Transaxle-Manual (Cont.)</b>		
<b>Front Pump</b>			<b>Shift Shaft</b>		
1995-1991 All:			1983-1978 All:		
Seal		14939	Seal		7000
(Speedi-Sleeve)		99149	(Speedi-Sleeve)		99082
1990-1978 All:			<b>Alternator</b>		
Seal		15022	1989 Bosch 40 & 90 Amp.:		
(Speedi-Sleeve)		99149	Bearing (Front)		6203-2RSJ
<b>Output Shaft</b>			1989-1988 Chrysler 40, 50, 90 & 120 Amp.:		
1995-1988 All:			Bearing (Rear)		6203-2RSJ
Seal		15750	1989-1988 Nippondenso 40 & 90 Amp. w/Pulley No.		
(Speedi-Sleeve)		99157	5233772 & 5233843:		
1987-1978 All:			Bearing (Front)		AB1
Seal		15750	1988 Bosch 40 & 90 Amp. Stamped No. 5233549:		
(Speedi-Sleeve)		99157	Bearing (Front)		6303-2RSJ
<b>Shift Shaft</b>			Bearing (Rear)		6201-2RSJ
1995-1978 All:			1988 Bosch 40 & 90 Amp. Stamped No. 5233574:		
Seal		8017	Bearing (Front)		6203-2RSJ
<b>Transaxle-Manual</b>			1987-1986 40, 90 & 100 Amp. Stamped No. 5226600:		
<b>Differential</b>			Bearing (Front)		6203-2RSJ
1994-1982 w/o A412 Trans.:			Bearing (Rear)		6201-J
Bearing		[2] BR11	1987-1986 40, 90 & 100 Amp. Stamped No. 5227100 &		
(Set Components)		JL69349/JL69310	5227200:		
1983-1978 A412 Trans.:			Bearing		[2] 6203-2RSJ
Bearing		[2] BR12	1987-1986 2.2L Eng.:		
(Set Components)		LM12749/LM12710	Bearing (Rear)		MNJ471-S
<b>Input Shaft</b>			1986-1984 1.6L Eng.:		
1994-1984 All:			Bearing (Front)		6203-RSJ
Seal		10583	Bearing (Rear)		6201-J
(Speedi-Sleeve)		99106	1985 2.2L Turbo Eng.:		
Bearing (Front)		BR4	Bearing (Front)		6203-2RSJ
(Set Components)		L44649/L44610	Bearing (Rear)		6201-J
Bearing (Rear)		BR5	1984-1978 1.7L & 2.2L Eng.:		
(Set Components)		LM48548/LM48510	Bearing (Front)		6203-2RSJ
1983-1981 5 Spd. Trans.:			Bearing (Rear)		MNJ471-S
Seal		10583	<b>Engine</b>		
(Speedi-Sleeve)		99106	<b>Auxiliary Shaft</b>		
Bearing (Front)		BR4	1995-1981 2.2L & 2.5L Eng.:		
(Set Components)		L44649/L44610	Seal		13624
Bearing (Rear)		BR5	(Speedi-Sleeve)		99139
(Set Components)		LM48548/LM48510	1983-1978 1.7L Eng.:		
1983-1978 4 Spd. Trans.:			Seal		12724
Seal		8550	(Speedi-Sleeve)		99128
(Speedi-Sleeve)		99085	<b>Camshaft Front</b>		
Bearing		BR17	1995-1993 2.5L Eng.:		
(Set Components)		L68149/L68111	Seal		13624
<b>Output Shaft</b>			(Speedi-Sleeve)		99139
1994-1984 All:			1992 3.0L Eng.:		
Seal		15750	Seal		13907
(Speedi-Sleeve)		99157	(Speedi-Sleeve)		99139
1983-1981 Horizon & Reliant w/5 Spd. Trans.:			1992-1991 2.2L 16 Valve Eng.:		
Seal		15750	Seal		14713
(Speedi-Sleeve)		99157	(Speedi-Sleeve)		99147
1983-1978 Horizon w/4 Spd. Trans.:			1992-1990 w/o 16 Valve Eng.:		
Seal		14040	Seal		9420
(Speedi-Sleeve)		99146	1991-1989 3.0L Eng.:		
Bearing		BR11	Seal		13943
(Set Components)		JL69349/JL69310	(Speedi-Sleeve)		99139

(Continued)

**Plymouth (FWD) Acclaim, Caravelle (from 1985), Horizon, Reliant, Sundance, TC3, Turismo -- (Cont.)**

MFG./YEAR	MODEL & LOCATION	PART NO.	MFG./YEAR	MODEL & LOCATION	PART NO.
<b>Engine (Cont.)</b>			<b>Engine (Cont.)</b>		
<b>Camshaft Front (Cont.)</b>			<b>Timing Belt and Tensioner Kit (Cont.)</b>		
1990-1989	2.2L 16 Valve Eng.:		1988-1981	Caravelle, Horizon, Reliant, Sundance & TC3 w/2.2L Eng.:	
	Seal .....	15800		Belt & Tensioner Kit .....	VKMA41001
	(Speedi-Sleeve) .....	99157	<b>Timing Cover</b>		
1989-1981	2.2L & 2.5L w/o 16 Valve Eng.:		1995-1986	2.5L Eng.:	
	Seal .....	13624		Seal .....	11122
	(Speedi-Sleeve) .....	99139		(Speedi-Sleeve) .....	99112
1988-1981	2.2L Eng. From 2/17/81:		1994-1989	2.2L Eng.:	
	Seal (52.35mm O.D.) .....	13624		Seal .....	11122
	(Speedi-Sleeve) (52.35mm O.D.) .....	99139		(Speedi-Sleeve) .....	99112
	Seal (52.62mm O.D.) .....	13953	1993-1989	3.0L Eng.:	
	(Speedi-Sleeve) (52.62mm O.D.) .....	99139		Seal .....	14671
1985-1981	2.6L Eng.:		1988-1981	2.2L Eng.:	
	Seal .....	9065		Seal .....	13624
1983-1978	1.7L Eng.:			(Speedi-Sleeve) .....	99139
	Seal .....	12724	1986-1983	1.6L Eng.:	
	(Speedi-Sleeve) .....	99128		Seal .....	15835
<b>Crankshaft-Rear</b>				(Speedi-Sleeve) .....	99157
1995-1981	2.2L, 2.5L & 3.0L Eng.:		1985-1981	2.6L Eng.:	
	Seal .....	35828		Seal .....	18854
1985-1981	2.6L Eng.:			(Speedi-Sleeve) .....	99189
	Seal .....	31506	1983-1978	1.7L Eng.:	
	(Speedi-Sleeve) .....	99317		Seal .....	12724
1983-1978	1.7L Eng.:			(Speedi-Sleeve) .....	99128
	Seal .....	32302	<b>Steering-Power</b>		
	(Speedi-Sleeve) .....	99328	<b>Pump Shaft</b>		
<b>Timing Belt Idler</b>			1989-1978	All:	
1995	Acclaim w/2.5L Eng.:			Seal .....	7475
	Bearing & Housing Assy. ....	VKM61000	<b>Worm Shaft</b>		
1988	2.2L Eng.:		1989-1978	All:	
	Bearing & Housing Assy. ....	VKM61001		Seal .....	6139
<b>Timing Belt Tensioner</b>			<b>Timing Belt and Tensioner Kit</b>		
1995-1989	Acclaim w/3.0L Eng.:		1995-1989	6 Cyl. Eng.:	
	Bearing & Housing Assy. ....	VKM75004		Belt & Tensioner Kit .....	VKMA95003
<b>Timing Belt and Tensioner Kit</b>			1995-1989	4 Cyl. Eng.:	
1995-1989	6 Cyl. Eng.:			Belt & Tensioner Kit .....	VKMA41000
	Belt & Tensioner Kit .....	VKMA95003			
1995-1989	4 Cyl. Eng.:				
	Belt & Tensioner Kit .....	VKMA41000			

**Plymouth (FWD) Champ**

<b>Wheel Front</b>		<b>Clutch</b>	
1982-1979	All:	<b>Release</b>	
	Seal .....	1982-1979	All:
	Bearing .....		Bearing Assembly .....
	(Set Components) .....		LM29748/LM29710
			N3067
<b>Wheel Rear</b>		<b>Transaxle-Automatic</b>	
1982-1979	All:	<b>Differential</b>	
	Seal .....	1982-1979	All:
	Bearing (Inner) .....		Bearing .....
	(Set Components) .....		L44649/L44610
	Bearing (Outer) .....		BR1
	(Set Components) .....		LM11749/LM11710
		<b>Front Pump</b>	
		1982-1979	All:
			Seal .....
			(Speedi-Sleeve) .....
			16897
			99182
			(Continued)

MFG./YEAR	MODEL & LOCATION	PART NO.	MFG./YEAR	MODEL & LOCATION	PART NO.
<b>Transaxle-Automatic (Cont.)</b>			<b>Engine</b>		
<b>Output Shaft</b>			<b>Camshaft</b>		
1982-1979 All:			1982-1979 1.6L Eng.:		
Seal		14006	Seal		13943
(Speedi-Sleeve)		99139	(Speedi-Sleeve)		99139
<b>Transaxle-Manual</b>			<b>Crankshaft-Rear</b>		
<b>Differential</b>			1982-1979 1.6L Eng.:		
1982-1979 All:			Seal		28308
Bearing		6207-J	(Speedi-Sleeve)		99284
<b>Input Shaft</b>			<b>Timing Cover</b>		
1982-1979 4 & 5 Spd. Trans.:			1982-1979 1.6L Eng.:		
Seal		9705	Seal		17271
(Speedi-Sleeve)		99098	(Speedi-Sleeve)		99174
<b>Output Shaft</b>			(Speedi-Sleeve/Seal Kit)		480173
1982-1979 4 & 5 Spd. Trans.:					
Seal		14006			
(Speedi-Sleeve)		99139			
<b>Alternator</b>					
1982-1981 All:					
Bearing (Front)		6202-2RSJ			
Bearing (Rear)		6201-2ZJ			
1980-1979 All:					
Bearing (Front)		6302-2ZJ			
Bearing (Rear)		6201-2ZJ			

**Plymouth (FWD) Colt Vista (from 1992)**

<b>Wheel Front</b>			<b>Transaxle-Automatic (Cont.)</b>		
1994-1992 All:			<b>Front Pump</b>		
Seal (Inner)		21281	1994-1992 All:		
Seal (Outer)		20463	Seal		16897
Bearing		FW101	(Speedi-Sleeve)		99182
<b>Wheel Rear</b>			<b>Input Shaft</b>		
1994-1992 4 W/D:			1994-1992 All:		
Bearing		GRW260	Bearing		61903-J
1994-1992 2 W/D w/o ABS:			<b>Output Shaft</b>		
Hub Assembly		BR930258	1994-1992 F.W.D.:		
<b>Pinion</b>			Seal		14006
1994-1992 All:			(Speedi-Sleeve)		99139
Bearing (Front)		30305-C	1994-1992 4 W/D:		
Bearing (Rear)		BR32207	Seal (L.H.)		14028
<b>Differential</b>			Seal (R.H.)		14006
<b>Rear Axle</b>			(Speedi-Sleeve) (R.H.)		99139
1994-1992 All:			<b>Transaxle-Manual</b>		
Seal		14006	<b>Differential</b>		
(Speedi-Sleeve)		99139	1994-1992 2 W/D w/1.8L Eng.:		
Bearing	[2]	BR30207	Bearing	[2]	BR30207
<b>Clutch</b>			1994-1992 4 W/D:		
<b>Release</b>			Bearing	[2]	BR30206
1994-1992 All:			<b>Input Shaft</b>		
Bearing Assembly		N3067	1994-1992 2 W/D w/1.8L Eng.:		
<b>Transaxle-Automatic</b>			Seal		9709
<b>Differential</b>			(Speedi-Sleeve)		99098
1994-1992 2 W/D & 1.8L Eng.:			Bearing		6305-VSP68
Bearing	[2]	6207-J	1994-1992 2 W/D w/2.4L Eng.:		
1994-1992 4 W/D:			Seal		9709
Bearing	[2]	6207-J	(Speedi-Sleeve)		99098

(Continued)

**Plymouth (FWD) Colt Vista (from 1992) -- (Cont.)**

MFG./YEAR	MODEL & LOCATION	PART NO.	MFG./YEAR	MODEL & LOCATION	PART NO.
<b>Transaxle-Manual (Cont.)</b>			<b>Engine</b>		
<b>Input Shaft (Cont.)</b>			<b>Camshaft</b>		
1994-1992 4 W/D w/2.4L Eng.:			1994-1992 1.8L & 2.4L Engs.:		
Seal		9709	Seal		13943
(Speedi-Sleeve)		99098	(Speedi-Sleeve)		99139
Bearing		BR32205	<b>Crankshaft-Rear</b>		
1993-1992 4 W/D w/1.8L Eng.:			1994-1993 2.4L Eng.:		
Seal		9709	Seal		33861
(Speedi-Sleeve)		99098	1994-1992 1.8L Eng.:		
Bearing		6305-VSP68	Seal		33861
<b>Output Shaft</b>			1992 2.4L Eng.:		
1994-1992 4 W/D:			Seal		31506
Seal (Front)		14028	(Speedi-Sleeve)		99315
Seal (Center)		11592	<b>Timing Belt Tensioner</b>		
(Speedi-Sleeve) (Center)		99114	1992 2.4L Eng.:		
Seal (Rear)		14006	Bearing & Housing Assy.		VKM75113
(Speedi-Sleeve) (Rear)		99139	<b>Timing Cover</b>		
1994-1992 F.W.D.:			1994-1992 2.4L Eng.:		
Seal		14006	Seal		17629
(Speedi-Sleeve)		99139	(Speedi-Sleeve)		99177
<b>Rear Extension</b>			1994-1992 1.8L Eng.:		
1994-1992 All:			Seal		14671
Seal		12736	<b>Alternator</b>		
(Speedi-Sleeve)		99128	1992 1.8L Eng.:		
<b>Alternator</b>			Bearing (Front)		
1992 1.8L Eng.:			6203-2RSJ		
Bearing (Front)			6203-2RSJ		

**Plymouth (FWD) Laser (from 1990)**

<b>Wheel Front</b>			<b>Transaxle-Manual</b>		
1994-1990 All:			<b>Differential</b>		
Seal (Inner)		21281	1994-1990 w/o Turbo:		
Seal (Outer)		20463	Bearing		[2] BR30207
Bearing		FW101	<b>Input Shaft</b>		
<b>Wheel Rear</b>			1994-1990 All:		
1994-1990 w/o ABS:			Seal		9706
Hub Assembly		BR930038	(Speedi-Sleeve)		99098
1994-1990 ABS:			Bearing (Front)		6305-VSP68
Hub Assembly		BR930037	Bearing (Rear)		63/28-2RSJ
<b>Clutch</b>			<b>Mainshaft Pilot</b>		
<b>Release</b>			1994-1990 Turbo:		
1994-1990 All:			Seal		15525
Bearing Assembly		N3067	(Speedi-Sleeve)		99155
<b>Transaxle-Automatic</b>			<b>Output Shaft</b>		
<b>Differential</b>			1994-1990 All:		
1994-1991 F.W.D.:			Seal		14006
Bearing		[2] 6207-J	(Speedi-Sleeve)		99139
<b>Input Shaft</b>			<b>Alternator</b>		
1994-1990 All:			1992-1990 1.8L Eng.:		
Seal		16897	Bearing (Front)		
(Speedi-Sleeve)		99182	6302-2RSJ		
<b>Output Shaft</b>			<b>Engine</b>		
1994-1990 All:			<b>Auxiliary Shaft</b>		
Seal		14006	1994-1990 1.8L Eng.:		
(Speedi-Sleeve)		99139	Seal		11086
			(Speedi-Sleeve)		99112
			(Continued)		



# Passenger cars, light & medium trucks

## (Cont.) -- Plymouth (FWD) Laser (from 1990)

MFG./YEAR	MODEL & LOCATION	PART NO.	MFG./YEAR	MODEL & LOCATION	PART NO.
<b>Engine (Cont.)</b>			<b>Engine (Cont.)</b>		
<b>Auxiliary Shaft (Cont.)</b>			<b>Timing Belt Tensioner</b>		
1994-1990 2.0L Eng.:			1994-1990 2.0L Eng.:		
	Seal .....	9706		Bearing & Housing Assy. ....	VKM75144
	(Speedi-Sleeve) .....	99098	<b>Timing Belt and Tensioner Kit</b>		
<b>Camshaft</b>			1994-1990 1.8L Eng.:		
1994-1990 1.8L & 2.0L Engs.:			Belt & Tensioner Kit .....		
	Seal .....	13943	1994-1990 2.0L Eng.:		
	(Speedi-Sleeve) .....	99139	Belt & Tensioner Kit .....		
<b>Crankshaft-Rear</b>			1994-1990 1.8L & 2.0L Engs.:		
1994-1990 2.0L Eng.:			Seal .....		
	Seal .....	31506	(Speedi-Sleeve) .....		
	(Speedi-Sleeve) .....	99315	1994-1990 1.8L Eng.:		
1994-1990 1.8L Eng.:			Seal .....		
	Seal .....	28308	(Speedi-Sleeve) .....		
	(Speedi-Sleeve) .....	99284	<b>Steering-Power</b>		
<b>Oil Pump</b>			<b>Pump Shaft</b>		
1994-1990 1.8L Eng.:			1994-1990 All:		
	Seal .....	6611	Seal .....		
	(Speedi-Sleeve) .....	99068	7005		
1994-1990 2.0L Eng.:			<b>Steering-Standard</b>		
	Seal .....	7861	<b>Pitman Shaft</b>		
	(Speedi-Sleeve) .....	99078	1994-1990 All:		
<b>Timing Belt Idler</b>			Seal .....		
1994-1990 2.0L Eng.:			6622		
	Bearing & Housing Assy. ....	VKM85000			

## Plymouth (FWD) Neon

<b>Wheel Front</b>			<b>Transaxle-Automatic (Cont.)</b>		
1995 5 Bolt Hub:			<b>Front Pump</b>		
	Sealed Bearing .....	FW169	1995 All:		
	C-Clip .....	CIR115	Seal .....		
	Hub Assembly (Kit) .....	BR930182K	(Speedi-Sleeve) .....		
1995 4 Bolt Hub:			14939		
	Sealed Bearing .....	FW169	<b>Output Shaft</b>		
	C-Clip .....	CIR115	1995 All:		
	Hub Assembly (Kit) .....	BR930181K	Seal .....		
<b>Wheel Rear</b>			(Speedi-Sleeve) .....		
1995 w/o ABS:			99157		
	Hub Assembly .....	BR930196	Bearing .....		
1995 ABS w/5 Bolt Hub:			(Set Components) .....		
	Hub Assembly .....	BR930196	L68149/L68111		
1995 ABS w/4 Bolt Hub:			<b>Shift Shaft</b>		
	Hub Assembly .....	BR930195	1995 All:		
<b>Clutch</b>			Seal .....		
<b>Release</b>			8017		
1995 All:			<b>Transfer Shaft</b>		
	Bearing Assembly .....	N4166	1995 All:		
<b>Transaxle-Automatic</b>			Bearing .....		
<b>Differential</b>			(Set Components) .....		
1995 All:			BR11		
	Bearing .....	[2] BR11	<b>Transaxle-Manual</b>		
	(Set Components) .....	JL69349/JL69310	<b>Differential</b>		
<b>Transaxle-Automatic</b>			1995 All:		
<b>Differential</b>			Bearing .....		
1995 All:			[2] BR11		
	Bearing .....	[2] BR11	(Set Components) .....		
	(Set Components) .....	JL69349/JL69310	<b>Input Shaft</b>		
<b>Input Shaft</b>			1995 All:		
	Bearing .....	FC67560			
			(Continued)		

**Plymouth (FWD) Neon -- (Cont.)**

MFG./YEAR	MODEL & LOCATION	PART NO.	MFG./YEAR	MODEL & LOCATION	PART NO.
<b>Transaxle-Manual (Cont.)</b>			<b>Engine (Cont.)</b>		
<b>Output Shaft</b>			<b>Timing Belt Tensioner</b>		
1995	All:		1995	2.0L Eng.:	
	Seal .....	15750		Bearing (Tensioner) .....	VKM51001
	(Speedi-Sleeve) .....	99157		Bearing & Adjuster .....	VKM51003
<b>Engine</b>			<b>Timing Cover</b>		
<b>Camshaft Front</b>			1995 2.0L Eng.:		
1995	2.0L Eng.:			Seal .....	12717
	Seal .....	13709		(Speedi-Sleeve) .....	99128
	(Speedi-Sleeve) .....	99139			
<b>Crankshaft-Rear</b>					
1995	2.0L Eng.:				
	Seal .....	35905			

**Plymouth (FWD) Grand Voyager (1995-1984), Voyager (1995-1984)**

**Wheel Front**

1995-1991	14" Whls.:	
	Seal .....	21952
	Seal (w/Sleeve) .....	21962
	Hub Assembly .....	BR930013
1995-1989	15" Whls.:	
	Seal .....	21952
	Seal (w/Sleeve) .....	21962
	Hub Assembly (Kit) .....	BR930021K
1990-1988	14" Whls.:	
	Seal .....	21952
	Seal (w/Sleeve) .....	21962
	Bearing .....	B42
	Hub Assembly .....	BR930002
1988	15" Whls.:	
	Hub Assembly .....	BR930197
1987-1984	All:	
	Seal .....	21952
	Seal (w/Sleeve) .....	21962
	Bearing .....	B42
	Hub Assembly (4 Bolt) .....	BR930001
	Hub Assembly (5 Bolt) .....	BR930002

**Wheel Rear**

1995-1991	A.W.D.:	
	Hub Assembly .....	BR930193
1995-1984	w/o A.W.D.:	
	Seal .....	18009
	Bearing (Inner) .....	BR17
	(Set Components) .....	L68149/L68111
	Bearing (Outer) .....	BR16
	(Set Components) .....	LM12749/LM12711

**Axle Shaft**

1995	All:	
	Seal .....	15750

**Differential**

1992	41TE Auto. Trans. w/A.W.D.:	
	Bearing (L.H.) 36mm I.D. ....	BR11
	(Set Components) .....	JL69349/JL69310
	Bearing (R.H.) 46mm I.D. ....	LM503349/LM503310
1992-1984	w/o 41TE Auto. Trans. & A.W.D.:	
	Bearing .....	[2] BR11
	(Set Components) .....	JL69349/JL69310

**Clutch**

**Release**

1993-1990	All:	
	Bearing Assembly .....	N4122
1989-1984	All:	
	Bearing Assembly .....	N3013-SA

**Transaxle-Automatic**

**Differential**

1995	41TE Trans. w/A.W.D.:	
	Bearing (L.H.) .....	BR11
	(Set Components) .....	JL69349/JL69310
	Bearing (R.H.) .....	LM503349/LM503310
1995-1984	31TH & 41TE Trans. w/o A.W.D.:	
	Bearing .....	[2] BR11
	(Set Components) .....	JL69349/JL69310
1994-1992	41TE Trans. w/A.W.D.:	
	Bearing (L.H.) .....	BR11
	(Set Components) .....	JL69349/JL69310

**Front Pump**

1995-1984	All:	
	Seal .....	15022
	(Speedi-Sleeve) .....	99149

**Output Shaft**

1995-1984	All:	
	Seal .....	15750
	(Speedi-Sleeve) .....	99157

**Shift Shaft**

1995-1984	All:	
	Seal .....	8017

**Transfer Shaft**

1995	31TH Trans.:	
	Bearing .....	BR11
	(Set Components) .....	JL69349/JL69310
1995-1992	41AE & 41TE Trans.:	
	Bearing (Front) .....	BR13687/BR13621
	Bearing (Rear) .....	BR35
	(Set Components) .....	LM501349/LM501310

(Continued)

# Passenger cars, light & medium trucks

(Cont.) -- Plymouth (FWD) Grand Voyager (1995-1984), Voyager (1995-1984)

MFG./YEAR	MODEL & LOCATION	PART NO.	MFG./YEAR	MODEL & LOCATION	PART NO.
<b>Transaxle-Manual</b>			<b>Engine</b>		
<b>Input Shaft</b>			<b>Camshaft Front</b>		
1992-1984 All:			1995-1988 3.0L Eng.:		
Seal		10583	Seal		13943
(Speedi-Sleeve)		99106	(Speedi-Sleeve)		99139
Bearing (Front)		BR4	1995 2.5L Eng.:		
(Set Components)		L44649/L44610	Seal		13943
Bearing (Rear)		BR5	(Speedi-Sleeve)		99139
(Set Components)		LM48548/LM48510	1994-1984 2.2L & 2.5L Eng.:		
<b>Intermediate Shaft</b>			Seal		13624
1990-1989 All:			(Speedi-Sleeve)		99139
Bearing (Rear)		6307-VSP30	1987-1984 2.6L Eng.:		
<b>Output Shaft</b>			Seal		9065
1992-1984 All:			<b>Camshaft Rear</b>		
Seal		15750	1995-1988 3.0L Eng.:		
(Speedi-Sleeve)		99157	Seal		17943
<b>Transfer Case</b>			<b>Crankshaft-Rear</b>		
<b>Front Output Shaft</b>			1995-1984 2.2L, 2.4L, 2.5L & 3.0L Eng.:		
1995-1991 All:			Seal		35828
Seal (Inner)		15750	1995-1990 3.3L & 3.8L Eng.:		
(Speedi-Sleeve) (Inner)		99157	Seal		35828
Seal (Outer)		11600	1987-1984 2.6L Eng.:		
(Speedi-Sleeve) (Outer)		99114	Seal		31506
Bearing		6006-J	(Speedi-Sleeve)		99317
<b>Input Shaft</b>			<b>Timing Belt Tensioner</b>		
1995-1991 A.W.D.:			1995 3.0L Eng.:		
Seal		18443	Bearing & Housing Assy.		VKM75004
<b>Output Shaft</b>			1995 2.5L Eng.:		
1995-1991 A.W.D.:			Bearing & Housing Assy.		VKM61000
Seal		18443	<b>Timing Belt and Tensioner Kit</b>		
<b>Rear Output Shaft</b>			1995-1989 3.0L Eng.:		
1995-1991 All:			Belt & Tensioner Kit		VKMA95003
Seal		14942	1995-1988 2.5L Eng.:		
(Speedi-Sleeve)		99149	Belt & Tensioner Kit		VKMA41000
<b>Alternator</b>			<b>Timing Cover</b>		
1989 Bosch 40 & 90 Amp.:			1995-1990 3.3L & 3.8L Eng.:		
Bearing (Front)		6203-2RSJ	Seal		11122
1989-1988 Chrysler 40, 50, 90 & 120 Amp.:			(Speedi-Sleeve)		99112
Bearing (Rear)		6203-2RSJ	1995-1987 3.0L Eng.:		
1988 Bosch 40 & 90 Amp. Stamped No. 5233549:			Seal		14671
Bearing (Front)		6303-2RSJ	1995-1987 2.5L Eng.:		
Bearing (Rear)		6201-2RSJ	Seal		11122
1988 Bosch 40 & 90 Amp. Stamped No. 5233574:			(Speedi-Sleeve)		99112
Bearing (Front)		6203-2RSJ	1987-1984 2.2L Eng.:		
Bearing (Rear)		6201-2RSJ	Seal		13624
1987-1986 40, 90 & 100 Amp. Stamped No. 5226600:			(Speedi-Sleeve)		99139
Bearing (Front)		6203-2RSJ	1987-1984 2.6L Eng.:		
Bearing (Rear)		6201-J	Seal		18854
1987-1986 40, 90 & 100 Amp. Stamped No. 5227100 & 5227200:			(Speedi-Sleeve)		99189
Bearing (Front)		6203-2RSJ	<b>Steering-Power</b>		
1987-1986 2.2L Eng.:			<b>Pump Shaft</b>		
Bearing (Rear)		MNJ471-S	1989-1984 All:		
1987-1986 2.6L Eng.:			Seal		7475
Bearing (Rear)		6201-ZJ	<b>Worm Shaft</b>		
1985-1984 2.2L Eng.:			1989-1984 All:		
Bearing (Front)		6203-2RSJ	Seal		6139
Bearing (Rear)		MNJ471-S			

**Plymouth (RWD) Arrow, Cricket, Sapporo**

MFG./YEAR      MODEL & LOCATION      PART NO.

**Wheel Front**

- 1983-1978 Sapporo:**  
 Seal ..... **17340**  
 Bearing (Inner) ..... **BR6**  
 (Set Components) ..... *LM67048/LM67010*  
 Bearing (Outer) ..... **BR2**  
 (Set Components) ..... *LM11949/LM11910*
- 1980-1976 Arrow:**  
 Seal ..... **14709**  
 Bearing (Inner) ..... **BR4**  
 (Set Components) ..... *L44649/L44610*  
 Bearing (Outer) ..... **BR1**  
 (Set Components) ..... *LM11749/LM11710*
- 1973-1971 Cricket:**  
 Bearing (Inner) ..... **BR4**  
 (Set Components) ..... *L44649/L44610*  
 Bearing (Outer) ..... **BR2**  
 (Set Components) ..... *LM11949/LM11910*

**Wheel Rear**

- 1983-1971 All:**  
 Seal ..... **20420**  
 Sealed Bearing w/Lock Ring ..... **GRW128-R**

**Pinion**

- 1983-1980 Exc. '80 Arrow:**  
 Seal ..... **16527**  
 (Speedi-Sleeve) ..... 99169  
 Bearing (Front) ..... **M86649/M86610**  
 Bearing (Rear) ..... **HM89449/HM89410**
- 1980 Arrow:**  
 Seal ..... **13973**  
 (Speedi-Sleeve) ..... 99139  
 Bearing (Front) ..... **BR30305**  
 Bearing (Rear) ..... **BR32207**
- 1979-1978 w/o 2.6L Eng.:**  
 Seal ..... **13973**  
 (Speedi-Sleeve) ..... 99139  
 Bearing (Front) ..... **BR30305**  
 Bearing (Rear) ..... **BR32207**
- 1979-1978 2.6L Eng.:**  
 Seal ..... **16527**  
 (Speedi-Sleeve) ..... 99169  
 Bearing (Front) ..... **M86649/M86610**  
 Bearing (Rear) ..... **HM89449/HM89410**
- 1977-1976 All:**  
 Seal ..... **13973**  
 (Speedi-Sleeve) ..... 99139  
 Bearing (Front) ..... **BR30305**  
 Bearing (Rear) ..... **BR32207**
- 1973-1971 All:**  
 Seal ..... **13876**  
 (Speedi-Sleeve) ..... 99138  
 Bearing (Front) ..... **BR30305**  
 Bearing (Rear) ..... **BR32207**

**Differential**

- 1983-1980 Sapporo:**  
 Bearing ..... **BR35**  
 (Set Components) ..... *LM501349/LM501310*
- 1980 Arrow:**  
 Bearing ..... **BR30207**
- 1979-1978 w/o 2.6L Eng.:**  
 Bearing ..... **BR30207**

**Differential (Cont.)**

- 1979-1978 2.6L Eng.:**  
 Bearing ..... **BR35**  
 (Set Components) ..... *LM501349/LM501310*
- 1977-1971 All:**  
 Bearing ..... **BR30207**

**Clutch**

**Release**

- 1983-1979 Sapporo w/2.0L & 2.6L Eng.:**  
 Bearing Assembly ..... **N4030**
- 1980-1976 1.6L Eng.:**  
 Bearing Only ..... **N3055**  
 Bearing Assembly ..... **N3007**
- 1980-1976 Arrow w/2.0L & 2.6L Eng.:**  
 Bearing Assembly ..... **N4030**
- 1978 Sapporo w/2.6L Eng.:**  
 Bearing Only ..... **N3055**  
 Bearing Assembly ..... **N3007**
- 1975-1974 Cricket w/5 Spd. Trans. & 2.0L Eng.:**  
 Bearing Assembly ..... **N4030**
- 1975-1971 Cricket w/4 Spd. Trans. & 1.6L Eng.:**  
 Bearing Only ..... **N3055**  
 Bearing Assembly ..... **N3007**

**Transmission-Automatic**

**Front Pump**

- 1983-1976 All:**  
 Seal ..... **15022**  
 (Speedi-Sleeve) ..... 99149
- 1975-1974 w/o A904 Trans.:**  
 Seal ..... **16679**  
 (Speedi-Sleeve) ..... 99168
- 1975-1974 A904 Trans.:**  
 Seal ..... **15022**  
 (Speedi-Sleeve) ..... 99149
- 1973-1971 Model 41 Trans.:**  
 Seal ..... **16679**  
 (Speedi-Sleeve) ..... 99168

**Rear**

- 1983-1976 All:**  
 Seal ..... **15546**  
 (Speedi-Sleeve) ..... 99156
- 1975-1974 w/o A904 Trans.:**  
 Seal ..... **550095**  
 (Speedi-Sleeve) ..... 99138
- 1975-1974 A904 Trans.:**  
 Seal ..... **15546**  
 (Speedi-Sleeve) ..... 99156
- 1973-1971 All:**  
 Seal ..... **550095**  
 (Speedi-Sleeve) ..... 99138

**Transmission-Manual**

**Front**

- 1983-1980 Sapporo w/5 Spd. Trans.:**  
 Seal ..... **11615**  
 (Speedi-Sleeve) ..... 99114  
 Bearing ..... **6307-NRJ**
- 1980 Arrow w/5 Spd. Trans.:**  
 Seal ..... **9705**  
 (Speedi-Sleeve) ..... 99098  
 Bearing ..... **6307-NRJ**

(Continued)

# Passenger cars, light & medium trucks

## (Cont.) -- Plymouth (RWD) Arrow, Cricket, Sapporo

MFG./YEAR	MODEL & LOCATION	PART NO.	MFG./YEAR	MODEL & LOCATION	PART NO.
<b>Transmission-Manual (Cont.)</b>			<b>Engine (Cont.)</b>		
<b>Front (Cont.)</b>			<b>Crankshaft-Rear</b>		
<b>1979-1976 All:</b>			<b>1983-1976 2.0L &amp; 2.6L Engs.:</b>		
	Seal .....	9705		Seal .....	31506
	(Speedi-Sleeve) .....	99098		(Speedi-Sleeve) .....	99317
	Bearing .....	6307-NRJ	<b>1980-1976 1.6L Eng.:</b>		
<b>1975-1974 Cricket w/5 Spd. Trans.:</b>				Seal .....	28308
	Seal .....	11615		(Speedi-Sleeve) .....	99284
	(Speedi-Sleeve) .....	99114	<b>Timing Cover</b>		
<b>1975-1974 Cricket w/4 Spd. Trans.:</b>			<b>1983-1976 2.0L &amp; 2.6L Engs.:</b>		
	Seal .....	9705		Seal .....	18854
	(Speedi-Sleeve) .....	99098		(Speedi-Sleeve) .....	99189
<b>1973-1971 All:</b>			<b>1980-1978 1.6L Eng.:</b>		
	Seal .....	9705		Seal .....	17271
	(Speedi-Sleeve) .....	99098		(Speedi-Sleeve) .....	99174
<b>Rear</b>				(Speedi-Sleeve/Seal Kit) .....	480173
<b>1983-1980 Sapporo w/5 Spd. Trans.:</b>			<b>1977-1976 1.6L Eng. w/o Balance Sh.:</b>		
	Seal .....	14017		Seal .....	17160
	(Speedi-Sleeve) .....	99146	<b>1977-1976 1.6L Eng. w/Balance Sh.:</b>		
<b>1980 Arrow w/5 Spd. Trans.:</b>				Seal .....	17271
	Seal .....	12736		(Speedi-Sleeve) .....	99174
	(Speedi-Sleeve) .....	99128		(Speedi-Sleeve/Seal Kit) .....	480173
<b>1979-1971 All:</b>			<b>1975-1974 2.0L Eng.:</b>		
	Seal .....	12736		Seal .....	18854
	(Speedi-Sleeve) .....	99128		(Speedi-Sleeve) .....	99189
<b>Shift Shaft</b>			<b>1975-1971 1.6L Eng.:</b>		
<b>1983-1976 All:</b>				Seal .....	17160
	Seal .....	7003	<b>Steering-Power</b>		
	(Speedi-Sleeve) .....	99082	<b>Pitman Shaft</b>		
<b>Alternator</b>			<b>1983-1980 Sapporo:</b>		
<b>1983 Sapporo From 10/82:</b>				Seal .....	525327
	Bearing (Front) .....	6202-2RSJ	<b>1979-1978 Sapporo:</b>		
	Bearing (Rear) .....	6201-2ZJ		Seal .....	11086
<b>1983-1982 Sapporo Thru 9/82:</b>			<b>Pump Shaft</b>		
	Bearing (Front) .....	6302-2ZJ	<b>1983-1978 Sapporo:</b>		
	Bearing (Rear) .....	6201-2ZJ		Seal .....	7005
<b>1982-1978 w/o 45 Amp.:</b>			<b>Steering-Standard</b>		
	Bearing (Front) .....	6302-2ZJ	<b>Pitman Shaft</b>		
	Bearing (Rear) .....	6201-2ZJ	<b>1980-1976 Arrow w/2.0L &amp; 2.6L Engs.:</b>		
<b>1979 45 Amp.:</b>				Seal .....	10930
	Bearing (Front) .....	6203-2RSJ	<b>1973-1971 All:</b>		
	Bearing (Rear) .....	6201-2ZJ		Seal .....	10181
<b>1978 45 Amp.:</b>			<b>Worm Shaft</b>		
	Bearing (Rear) .....	6201-2ZJ	<b>1980-1976 Arrow w/2.0L &amp; 2.6L Engs.:</b>		
<b>1977-1976 2.0L Eng.:</b>				Seal .....	7210
	Bearing (Front) .....	6203-2RSJ		(Superseded by:)	7473
	Bearing (Rear) .....	6201-2ZJ	<b>1973-1971 All:</b>		
<b>1977-1976 1.6L Eng.:</b>				Seal .....	6620
	Bearing (Rear) .....	6201-2RSJ			
<b>1975-1971 All:</b>					
	Bearing (Front) .....	6203-2RSJ			
	Bearing (Rear) .....	6201-2ZJ			
<b>Engine</b>					
<b>Camshaft</b>					
<b>1980-1976 1.6L Eng.:</b>					
	Seal .....	13943			
	(Speedi-Sleeve) .....	99139			

**Plymouth (RWD) Barracuda, Cuda, Duster, Gran Coupe, Signet, Scamp, Valiant, Volare, V-100, V-200**

MFG./YEAR      MODEL & LOCATION      PART NO.      MFG./YEAR      MODEL & LOCATION      PART NO.

**Wheel Front**

<b>1980-1973 Disc Brks.:</b>	
Seal .....	<b>19500</b>
Bearing (Inner) .....	<b>BR17</b>
(Set Components) .....	L68149/L68111
Bearing (Outer) .....	<b>BR2</b>
(Set Components) .....	LM11949/LM11910
<b>1977-1973 Drum Brks.:</b>	
Seal .....	<b>19221</b>
Bearing (Inner) .....	<b>BR17</b>
(Set Components) .....	L68149/L68111
Bearing (Outer) .....	<b>BR2</b>
(Set Components) .....	LM11949/LM11910
<b>1972-1968 11" Brks.:</b>	
Seal .....	<b>17110</b>
Bearing (Inner) .....	<b>BR6</b>
(Set Components) .....	LM67048/LM67010
Bearing (Outer) .....	<b>BR2</b>
(Set Components) .....	LM11949/LM11910
<b>1972-1966 10" Brks.:</b>	
Seal .....	<b>17115</b>
Bearing (Inner) .....	<b>BR6</b>
(Set Components) .....	LM67048/LM67010
Bearing (Outer) .....	<b>BR2</b>
(Set Components) .....	LM11949/LM11910
<b>1972-1960 9" Brks.:</b>	
Seal .....	<b>14848</b>
Bearing (Inner) .....	<b>BR4</b>
(Set Components) .....	L44649/L44610
Bearing (Outer) .....	<b>BR1</b>
(Set Components) .....	LM11749/LM11710

**Wheel Rear**

<b>1980-1973 7.25" Ring Gear &amp; 10" Brks.:</b>	
Seal .....	<b>13992</b>
Sealed Bearing w/Lock Ring .....	<b>RWC35-YYR</b>
<b>1980-1973 8.25" Ring Gear:</b>	
Seal .....	↗16044
(Superseded by) .....	<b>16404</b>
Bearing .....	<b>R1559-TV</b>
(Axle Repair Brg. Assy.) .....	• R1559
<b>1976-1973 7.25" Ring Gear &amp; 9" Brks.:</b>	
Seal .....	<b>13418</b>
Sealed Bearing w/Lock Ring .....	<b>RWF34-R</b>
<b>1974-1966 8.75" &amp; 9.75" Ring Gears:</b>	
Seal (Inner) .....	<b>15460</b>
Seal (Outer) .....	<b>19000</b>
Bearing .....	<b>BR7</b>
(Set Components) .....	M201047-S/M201011
<b>1972-1963 7.25" Ring Gear:</b>	
Seal .....	<b>13418</b>
Sealed Bearing w/Lock Ring .....	<b>RWF34-R</b>

**Pinion**

<b>1980-1973 8.25" Ring Gear:</b>	
Seal .....	<b>16805</b>
(Speedi-Sleeve) .....	99168
Bearing (Front) .....	<b>M86649/M86610</b>
Bearing (Rear) .....	<b>M802048/M802011</b>

**Pinion (Cont.)**

<b>1980-1969 7.25" Ring Gear:</b>	
Seal .....	<b>16805</b>
(Speedi-Sleeve) .....	99168
Bearing (Front) .....	<b>M86649/M86610</b>
Bearing (Rear) .....	<b>HM88649/HM88610</b>
<b>1974-1970 8.75" Ring Gear w/1.875" Pinion Sh.:</b>	
Seal .....	<b>18708</b>
(Speedi-Sleeve) .....	99187
Bearing (Front) .....	<b>BR52</b>
(Set Components) .....	M88048/M88010
Bearing (Rear) .....	<b>M804049/M804010</b>
<b>1972-1968 8.75" Ring Gear w/1.375" Pinion Sh.:</b>	
Seal .....	<b>18708</b>
(Speedi-Sleeve) .....	99187
Bearing (Front) .....	<b>BR52</b>
(Set Components) .....	M88048/M88010
Bearing (Rear) .....	<b>HM89446/HM89410</b>
<b>1971-1970 9.75" Ring Gear:</b>	
Seal .....	<b>18888</b>
(Speedi-Sleeve) .....	99187
Bearing (Front) .....	<b>HM88542/HM88510</b>
Bearing (Rear) .....	<b>HM803146/HM803110</b>
<b>1969-1968 8.75" Ring Gear w/1.75" Pinion Sh.:</b>	
Seal .....	<b>18912</b>
(Speedi-Sleeve) .....	99187
Bearing (Front) .....	<b>BR52</b>
(Set Components) .....	M88048/M88010
Bearing (Rear) .....	<b>M804049/M804010</b>
<b>1968-1960 7.25" Ring Gear:</b>	
Seal .....	<b>16945</b>
(Speedi-Sleeve) .....	99168
Bearing (Front) .....	<b>M86649/M86610</b>
Bearing (Rear) .....	<b>HM88649/HM88610</b>
<b>1967-1966 8.75" Ring Gear w/1.375" Pinion Sh.:</b>	
Seal .....	<b>18708</b>
(Speedi-Sleeve) .....	99187
Bearing (Front) .....	<b>BR52</b>
(Set Components) .....	M88048/M88010
Bearing (Rear) .....	<b>HM89446/HM89410</b>
<b>1967-1966 8.75" Ring Gear w/1.75" Pinion Sh.:</b>	
Seal .....	<b>18708</b>
(Speedi-Sleeve) .....	99187
Bearing (Front) .....	<b>BR52</b>
(Set Components) .....	M88048/M88010
Bearing (Rear) .....	<b>M804049/M804010</b>
<b>Differential</b>	
<b>1980-1975 8.25" Ring Gear:</b>	
Bearing .....	<b>BR36</b>
(Set Components) .....	LM603049/LM603012
<b>1980-1960 7.25" Ring Gear:</b>	
Bearing .....	<b>BR35</b>
(Set Components) .....	LM501349/LM501310
<b>1974-1973 8.25" Ring Gear:</b>	
Bearing .....	<b>BR50</b>
(Set Components) .....	LM102949/LM102910
<b>1974-1969 8.75" Ring Gear:</b>	
Bearing .....	<b>LM104949/LM104912</b>
<b>1971-1970 9.75" Ring Gear:</b>	
Bearing .....	<b>387-A/382-S</b>

(Continued)

## Passenger cars, light & medium trucks

(Cont.) -- Plymouth (RWD) Barracuda, Cuda, Duster, Gran Coupe, Signet, Scamp, Valiant, Volare, V-100, V-200

MFG./YEAR	MODEL & LOCATION	PART NO.	MFG./YEAR	MODEL & LOCATION	PART NO.
<b>Differential (Cont.)</b>			<b>Transmission-Automatic (Cont.)</b>		
1968	8.75" Ring Gear w/o Collapsible Spacer Type Axle:		<b>Rear</b>		
	Bearing .....	BR25590/BR25520	1980-1973	A904 & A941 Trans.:	
1968	8.75" Ring Gear w/Collapsible Spacer Type Axle:			Seal .....	15546
	Bearing .....	LM104949/LM104912		(Speedi-Sleeve) .....	99156
1967-1966	8.75" Ring Gear:		1980-1963	A727 Trans.:	
	Bearing .....	BR25590/BR25520		Seal .....	16725
<b>Kit</b>				(Speedi-Sleeve) .....	99168
1980-1970	8.25 " & 8.375 " Ring Gear:			(Speedi-Sleeve/Seal Kit) .....	480168
	Standard Seal and Bearing Kit Rear .....	SDK303	1972	A904 & A941 Trans. Exc. Trans. No. 3681061, 063:	
	Master Seal and Bearing Kit Rear .....	SDK303-MK		Seal .....	15535
1980-1960	7.25 " Ring Gear:			(Speedi-Sleeve) .....	99156
	Standard Seal and Bearing Kit Rear .....	SDK302	1972	A904 & A941 Trans. w/Trans. No. 3681061, 063:	
1974-1969	8.75 " w/1.875 " Pin. Shaft O.D. Ring Gear:			Seal .....	15546
	Standard Seal and Bearing Kit Rear .....	SDK301		(Speedi-Sleeve) .....	99156
1971-1970	Dana 60 Axle:		1971-1963	A904 & A941 Trans.:	
	Standard Seal and Bearing Kit Rear .....	SDK331		Seal .....	15535
1968-1960	8.75 " w/1.75 " Pin. Shaft O.D. Ring Gear:			(Speedi-Sleeve) .....	99156
	Standard Seal and Bearing Kit Rear .....	SDK300	1962-1960	All:	
<b>Clutch</b>				Seal .....	11518
<b>Pilot</b>				(Speedi-Sleeve) .....	99120
1980-1960	All:		<b>Transmission-Manual</b>		
	Bearing .....	B286	<b>Front</b>		
<b>Release</b>			1980-1960	w/o A390 Trans.:	
1980-1973	All:			Seal .....	10515
	Bearing Only .....	N1054		(Speedi-Sleeve) .....	99106
	Bearing Assembly .....	N1463		Bearing .....	■ 6307-NJ
	(Self-Aligning) .....	N1463-SA	1976-1975	A390 Tremac Trans.:	
1972-1970	8 Cyl. Eng. Exc. 426 & 440 Engs.:			Seal .....	10515
	Bearing Only .....	N1054		(Speedi-Sleeve) .....	99106
	Bearing Assembly .....	N1463	<b>Mainshaft Pilot</b>		
	(Self-Aligning) .....	N1463-SA	1980-1960	All:	
1971-1970	8 Cyl. 426 & 440 Engs.:			Bearing .....	[14] QBR23549
	Bearing Only .....	N1181	<b>Rear</b>		
1971-1969	6 Cyl. Eng. w/o H.D. Trans.:		1980-1977	All:	
	Bearing Only .....	N1054		Seal .....	15546
	Bearing Assembly .....	N1463		(Speedi-Sleeve) .....	99156
	(Self-Aligning) .....	N1463-SA		Bearing .....	■ 6307-NJ
1971-1969	6 Cyl. Eng. w/H.D. Trans.:		1976-1975	A230 & A390 Trans.:	
	Bearing Only .....	N1054		Seal .....	15546
1968-1960	All:			(Speedi-Sleeve) .....	99156
	Bearing Only .....	N1054		Bearing .....	■ 6307-NJ
	Bearing Assembly .....	N1463	1976-1966	A833 Trans.:	
	(Self-Aligning) .....	N1463-SA		Seal .....	16725
<b>Transmission-Automatic</b>				(Speedi-Sleeve) .....	99168
<b>Front Pump</b>				(Speedi-Sleeve/Seal Kit) .....	480168
1980-1967	A727 Trans.:			Bearing .....	■ 6307-NJ
	Seal .....	18508	1974	A230 Trans. Exc. Trans. No. 3681834, 36:	
1980-1967	A904 & A941 Trans.:			Seal .....	16725
	Seal .....	15022		(Speedi-Sleeve) .....	99168
	(Speedi-Sleeve) .....	99149		(Speedi-Sleeve/Seal Kit) .....	480168
1966-1962	All:			Bearing .....	■ 6307-NJ
	Seal .....	18508	1974	A230 Trans. w/Trans. No. 3681834, 36:	
1961-1960	All:			Seal .....	15546
	Seal .....	21103		(Speedi-Sleeve) .....	99156
	(Speedi-Sleeve) .....	99212		Bearing .....	■ 6307-NJ
			(Continued)		

## Passenger cars, light & medium trucks

### Plymouth (RWD) Barracuda, Cuda, Duster, Gran Coupe, Signet, Scamp, Valiant, Volare, V-100, V-200 -- (Cont.)

MFG./YEAR	MODEL & LOCATION	PART NO.	MFG./YEAR	MODEL & LOCATION	PART NO.
<b>Transmission-Manual (Cont.)</b>			<b>Engine</b>		
<b>Rear (Cont.)</b>			<b>Crankshaft-Rear</b>		
1974-1973	A250 Trans.:		1980-1974	360 (5.9L) Eng.:	
	Seal .....	15546		Seal Kit .....	214
	(Speedi-Sleeve) .....	99156	1980-1964	273, 318 & 340 Engs.:	
	Bearing .....	■ 6307-NJ		Seal Kit .....	212
1973	A230 Trans.:		<b>Timing Cover</b>		
	Seal .....	15546	1980-1978	318 (5.2L) & 360 (5.9L) Engs.:	
	(Speedi-Sleeve) .....	99156		Seal .....	21944
	Bearing .....	■ 6307-NJ		(Speedi-Sleeve) .....	99218
1972-1970	A230 Trans. Exc. Trans. No. 3681834, 36:			(Speedi-Sleeve/Seal Kit) .....	480219
	Seal .....	15535	1980-1974	6 Cyl. Eng. From 4/20/74:	
	(Speedi-Sleeve) .....	99156		Seal .....	22425
	Bearing .....	■ 6307-NJ		(Speedi-Sleeve) .....	99225
1972-1970	A230 Trans. w/Trans. No. 3681834, 36:		1978	400 & 440 Engs.:	
	Seal .....	16725		Seal .....	21820
	(Speedi-Sleeve) .....	99168		(Speedi-Sleeve) .....	99218
	(Speedi-Sleeve/Seal Kit) .....	480168	1977-1968	8 Cyl. Eng.:	
	Bearing .....	■ 6307-NJ		Seal .....	21944
1972-1966	A903 Trans.:			(Speedi-Sleeve) .....	99218
	Seal .....	15535		(Speedi-Sleeve/Seal Kit) .....	480219
	(Speedi-Sleeve) .....	99156	1974	6 Cyl. Eng. Thru 4/19/74:	
	Bearing .....	■ 6307-NJ		Seal .....	22415
1969-1966	A745 Trans.:			(Speedi-Sleeve) .....	99226
	Seal .....	16725	1973-1960	6 Cyl. Eng.:	
	(Speedi-Sleeve) .....	99168		Seal (2.240" Shaft) .....	22415
	(Speedi-Sleeve/Seal Kit) .....	480168		(Speedi-Sleeve) (2.240" Shaft) .....	99226
	Bearing .....	■ 6307-NJ	1967-1964	8 Cyl. Eng.:	
1965-1963	A833 Trans.:			Seal .....	21944
	Seal .....	15620		(Speedi-Sleeve) .....	99218
	(Speedi-Sleeve) .....	99156	<b>Generator</b>		
	Bearing .....	307-J	1960	All:	
1965-1963	A903 Trans.:			Bearing (Front) .....	6203-J
	Seal .....	11518		Bearing (Rear) .....	6203-J
	(Speedi-Sleeve) .....	99120	<b>Steering-Power</b>		
1962-1960	All:		<b>Pitman Shaft</b>		
	Seal .....	11518	1980-1973	All:	
	(Speedi-Sleeve) .....	99120		Seal .....	12350
<b>Reverse Idler</b>			1961-1960	All:	
1980-1960	3 Spd. Trans.:			Seal .....	12350
	Bearing .....	[22] C1086-Q	<b>Pump Shaft</b>		
<b>Shift Shaft</b>			1980-1966	Saginaw & Key Slotted Sh.:	
1980-1960	3 Spd. Trans.:			Seal .....	7475
	Seal .....	6141	1974-1969	w/o Saginaw & Key Slotted Sh.:	
	(Speedi-Sleeve) .....	99062		Seal .....	6229
<b>Air Conditioning Clutch</b>			1968-1963	4.625" Dia. Reservoir:	
1980-1964	8 Cyl. Eng.:			Seal .....	6767
	Bearing .....	5206-A2RS	1962-1961	4.875" Dia. Reservoir:	
1976-1964	6 Cyl. Eng.:			Seal .....	6229
	Bearing .....	5206-A2RS	1962-1961	5.125" Dia. Reservoir:	
<b>Air Conditioning Compressor</b>				Seal .....	8019
1969-1966	w/o V2 Comp.:		1960	All:	
	Bearing .....	6205-J		Seal .....	6767
1964	w/o V2 Comp.:		<b>Worm Shaft</b>		
	Bearing .....	6205-J	1980-1960	All:	
<b>Alternator</b>				Seal .....	6141
1980-1975	100 Amp.:		(Continued)		
	Bearing (Front) .....	6303-2ZJ			
1980-1961	w/o 100 Amp.:				
	Bearing (Front) .....	6203-2RSJ			
	Bearing (Rear) .....	MNJ471-S			



## Passenger cars, light & medium trucks

(Cont.) -- Plymouth (RWD) Barracuda, Cuda, Duster, Gran Coupe, Signet, Scamp, Valiant, Volare, V-100, V-200

MFG./YEAR	MODEL & LOCATION	PART NO.	MFG./YEAR	MODEL & LOCATION	PART NO.
<b>Steering-Standard</b>					
<b>Pitman Shaft</b>					
1961-1960 All:					
	Seal .....	12350			
<b>Worm Shaft</b>					
1980-1960 All:					
	Seal .....	7412			

## Plymouth (RWD) Belvedere, Caravelle (1984 thru 1978), Fury, Gran Fury, Gran Fury Salon, Road Runner, Satellite

### Wheel Front

<b>1989-1980 Gran Fury &amp; Gran Fury Salon:</b>	
Seal .....	19500
Bearing (Inner) .....	BR17
(Set Components) .....	L68149/L68111
Bearing (Outer) .....	BR2
(Set Components) .....	LM11949/LM11910
<b>1978-1975 Fury:</b>	
Seal .....	19500
Bearing (Inner) .....	BR17
(Set Components) .....	L68149/L68111
Bearing (Outer) .....	BR2
(Set Components) .....	LM11949/LM11910
<b>1977-1973 Gran Fury:</b>	
Seal .....	20425
Bearing (Inner) .....	BR11
(Set Components) .....	JL69349/JL69310
Bearing (Outer) .....	BR16
(Set Components) .....	LM12749/LM12711
<b>1975-1973 Roadrunner &amp; Satellite:</b>	
Seal .....	19500
Bearing (Inner) .....	BR17
(Set Components) .....	L68149/L68111
Bearing (Outer) .....	BR2
(Set Components) .....	LM11949/LM11910
<b>1974 Fury:</b>	
Seal .....	20425
Bearing (Inner) .....	BR11
(Set Components) .....	JL69349/JL69310
Bearing (Outer) .....	BR16
(Set Components) .....	LM12749/LM12711
<b>1973 Fury:</b>	
Seal .....	19500
Bearing (Inner) .....	BR17
(Set Components) .....	L68149/L68111
Bearing (Outer) .....	BR16
(Set Components) .....	LM12749/LM12711
<b>1972-1966 10" Brks.:</b>	
Seal .....	17115
Bearing (Inner) .....	BR6
(Set Components) .....	LM67048/LM67010
Bearing (Outer) .....	BR2
(Set Components) .....	LM11949/LM11910
<b>1972-1966 11" Brks.:</b>	
Seal .....	17110
Bearing (Inner) .....	BR6
(Set Components) .....	LM67048/LM67010
Bearing (Outer) .....	BR2
(Set Components) .....	LM11949/LM11910

### Wheel Front (Cont.)

<b>1965-1960 All:</b>	
Seal .....	17110
Bearing (Inner) .....	BR6
(Set Components) .....	LM67048/LM67010
Bearing (Outer) .....	BR2
(Set Components) .....	LM11949/LM11910
<b>1959-1955 All:</b>	
Seal .....	17115
Bearing (Inner) .....	BR6
(Set Components) .....	LM67048/LM67010
Bearing (Outer) .....	BR2
(Set Components) .....	LM11949/LM11910
<b>1954-1949 All:</b>	
Seal .....	17131

### Wheel Rear

<b>1989-1983 7.25" &amp; 8.25" Ring Gears:</b>	
Seal .....	↔16044
(Superseded by:)	16404
Bearing .....	R1559-TV
(Axle Repair Brg. Assy.)	• R1559
<b>1982 7.25" Ring Gear:</b>	
Seal .....	13992
Sealed Bearing w/Lock Ring	RWC35-YYR
<b>1982-1977 8.25" Ring Gear:</b>	
Seal .....	↔16044
(Superseded by:)	16404
Bearing .....	R1559-TV
(Axle Repair Brg. Assy.)	• R1559
<b>1978-1977 9.25" Ring Gear:</b>	
Seal .....	↔16044
(Superseded by:)	16404
Bearing .....	R1559-TV
(Axle Repair Brg. Assy.)	• R1559
<b>1976-1975 All:</b>	
Seal .....	↔16044
(Superseded by:)	16404
Bearing .....	R1559-TV
(Axle Repair Brg. Assy.)	• R1559
<b>1974-1970 8.75" &amp; 9.75" Ring Gears:</b>	
Seal (Inner) .....	15460
Seal (Outer) .....	19000
Bearing .....	BR7
(Set Components) .....	M201047-S/M201011

(Continued)

**Plymouth (RWD) Belvedere, Caravelle (1984 thru 1978), Fury, Gran Fury, Gran Fury Salon, Road Runner, Satellite -- (Cont.)**

MFG./YEAR	MODEL & LOCATION	PART NO.	MFG./YEAR	MODEL & LOCATION	PART NO.
-----------	------------------	----------	-----------	------------------	----------

**Wheel Rear (Cont.)**

<b>1969-1966</b>	<b>9.75" Ring Gear:</b>	
Seal (Inner)	.....	<b>15142</b>
Seal (Outer)	.....	<b>19000</b>
Bearing	.....	<b>BR7</b>
(Set Components)	.....	<i>M201047-S/M201011</i>
<b>1969-1966</b>	<b>7.25" Ring Gear:</b>	
Seal	.....	<b>14092</b>
Sealed Bearing w/Lock Ring	.....	<b>RWC35-YYR</b>
<b>1969-1965</b>	<b>8.75" &amp; 9.25" Ring Gears:</b>	
Seal (Inner)	.....	<b>15460</b>
Seal (Outer)	.....	<b>19000</b>
Bearing	.....	<b>BR7</b>
(Set Components)	.....	<i>M201047-S/M201011</i>
<b>1964-1960 All:</b>		
Seal (Inner)	.....	<b>15207</b>
Seal (Outer)	.....	<b>13500</b>
Bearing	.....	<b>BR25877/BR25821</b>
<b>1959-1956</b>	<b>8.75" Ring Gear w/1.375" Pinion Sh.:</b>	
Seal (Inner)	.....	<b>13892</b>
Seal (Outer)	.....	<b>13797</b>
Bearing	.....	<b>BR25877/BR25821</b>
<b>1959-1956</b>	<b>8.75" Ring Gear w/1.50" Pinion Sh.:</b>	
Seal (Inner)	.....	<b>15207</b>
Seal (Outer)	.....	<b>13797</b>
Bearing	.....	<b>BR25877/BR25821</b>
<b>1955-1949 All:</b>		
Seal (Inner)	.....	<b>13892</b>
Seal (Outer)	.....	<b>13797</b>
Bearing	.....	<b>BR25877/BR25821</b>

**Pinion**

<b>1989-1988</b>	<b>7.25" Ring Gear:</b>	
Seal	.....	<b>16805</b>
(Speedi-Sleeve)	.....	<b>99168</b>
Bearing (Front)	.....	<b>M86649/M86610</b>
Bearing (Rear)	.....	<b>HM88649/HM88610</b>
<b>1989-1988</b>	<b>8.25" Ring Gear:</b>	
Seal	.....	<b>16805</b>
(Speedi-Sleeve)	.....	<b>99168</b>
Bearing (Front)	.....	<b>M86649/M86610</b>
Bearing (Rear)	.....	<b>M802048/M802011</b>
<b>1987-1982</b>	<b>7.25" Ring Gear:</b>	
Seal	.....	<b>16805</b>
(Speedi-Sleeve)	.....	<b>99168</b>
Bearing (Front)	.....	<b>M86649/M86610</b>
Bearing (Rear)	.....	<b>HM88649/HM88610</b>
<b>1987-1969</b>	<b>8.25" Ring Gear:</b>	
Seal	.....	<b>16805</b>
(Speedi-Sleeve)	.....	<b>99168</b>
Bearing (Front)	.....	<b>M86649/M86610</b>
Bearing (Rear)	.....	<b>M802048/M802011</b>
<b>1978-1973</b>	<b>9.25" Ring Gear:</b>	
Seal	.....	<b>18708</b>
(Speedi-Sleeve)	.....	<b>99187</b>
Bearing (Front)	.....	<b>BR52</b>
(Set Components)	.....	<i>M88048/M88010</i>
Bearing (Rear)	.....	<b>M804049/M804010</b>

**Pinion (Cont.)**

<b>1974-1973</b>	<b>8.75" Ring Gear:</b>	
Seal	.....	<b>18708</b>
(Speedi-Sleeve)	.....	<b>99187</b>
Bearing (Front)	.....	<b>BR52</b>
(Set Components)	.....	<i>M88048/M88010</i>
Bearing (Rear)	.....	<b>M804049/M804010</b>
<b>1972-1970</b>	<b>8.75" Ring Gear w/1.375" Pinion Sh.:</b>	
Seal	.....	<b>18708</b>
(Speedi-Sleeve)	.....	<b>99187</b>
Bearing (Front)	.....	<b>BR52</b>
(Set Components)	.....	<i>M88048/M88010</i>
Bearing (Rear)	.....	<b>HM89446/HM89410</b>
<b>1972-1970</b>	<b>8.75" Ring Gear w/1.875" Pinion Sh.:</b>	
Seal	.....	<b>18708</b>
(Speedi-Sleeve)	.....	<b>99187</b>
Bearing (Front)	.....	<b>BR52</b>
(Set Components)	.....	<i>M88048/M88010</i>
Bearing (Rear)	.....	<b>M804049/M804010</b>
<b>1972-1966</b>	<b>9.75" Ring Gear:</b>	
Seal	.....	<b>18888</b>
(Speedi-Sleeve)	.....	<b>99187</b>
Bearing (Front)	.....	<b>HM88542/HM88510</b>
Bearing (Rear)	.....	<b>HM803146/HM803110</b>
<b>1971-1969</b>	<b>7.25" Ring Gear:</b>	
Seal	.....	<b>16805</b>
(Speedi-Sleeve)	.....	<b>99168</b>
Bearing (Front)	.....	<b>M86649/M86610</b>
Bearing (Rear)	.....	<b>HM88649/HM88610</b>
<b>1969-1966</b>	<b>8.75" Ring Gear w/1.375" Pinion Sh.:</b>	
Seal	.....	<b>18708</b>
(Speedi-Sleeve)	.....	<b>99187</b>
Bearing (Front)	.....	<b>BR52</b>
(Set Components)	.....	<i>M88048/M88010</i>
Bearing (Rear)	.....	<b>HM89446/HM89410</b>
<b>1968-1967</b>	<b>9.25" Ring Gear:</b>	
Seal	.....	<b>18888</b>
(Speedi-Sleeve)	.....	<b>99187</b>
Bearing (Front)	.....	<b>HM88542/HM88510</b>
Bearing (Rear)	.....	<b>BR3877/BR3820</b>
<b>1968-1966</b>	<b>7.25" Ring Gear:</b>	
Seal	.....	<b>16945</b>
(Speedi-Sleeve)	.....	<b>99168</b>
Bearing (Front)	.....	<b>M86649/M86610</b>
Bearing (Rear)	.....	<b>HM88649/HM88610</b>
<b>1967-1966</b>	<b>8.75" Ring Gear w/1.75" Pinion Sh.:</b>	
Seal	.....	<b>18912</b>
(Speedi-Sleeve)	.....	<b>99187</b>
Bearing (Front)	.....	<b>HM89443/HM89410</b>
Bearing (Rear)	.....	<b>M804049/M804010</b>
<b>1965-1963</b>	<b>8.75" Ring Gear w/1.75" Pinion Sh.:</b>	
Seal	.....	<b>18912</b>
(Speedi-Sleeve)	.....	<b>99187</b>
Bearing (Front)	.....	<b>HM89443/HM89410</b>
Bearing (Rear)	.....	<b>HM803149/HM803110</b>
<b>1965-1960</b>	<b>8.25" Ring Gear:</b>	
Seal	.....	<b>18708</b>
(Speedi-Sleeve)	.....	<b>99187</b>
Bearing (Front)	.....	<b>BR52</b>
(Set Components)	.....	<i>M88048/M88010</i>
Bearing (Rear)	.....	<b>HM89446/HM89410</b>

(Continued)

**Passenger cars, light & medium trucks**

**(Cont.) -- Plymouth (RWD) Belvedere, Caravelle (1984 thru 1978), Fury, Gran Fury, Gran Fury Salon, Road Runner, Satellite**

MFG./YEAR	MODEL & LOCATION	PART NO.	MFG./YEAR	MODEL & LOCATION	PART NO.
<b>Pinion (Cont.)</b>			<b>Differential (Cont.)</b>		
1962-1960	8.75" Ring Gear:		<b>Kit</b>		
	Seal .....	18912	1989-1982	7.25 " Ring Gear:	
	(Speedi-Sleeve) .....	99187		Standard Seal and Bearing Kit Rear .....	SDK302
	Bearing (Front) .....	HM89443/HM89410	1989-1980	8.25 " & 8.375 " Ring Gear:	
	Bearing (Rear) .....	HM803149/HM803110		Standard Seal and Bearing Kit Rear .....	SDK303
1959-1958	w/o 350 Eng.:			Master Seal and Bearing Kit Rear .....	SDK303-MK
	Seal .....	18708	1981-1980	9.25 " Ring Gear:	
	(Speedi-Sleeve) .....	99187		Standard Seal and Bearing Kit Rear .....	SDK304
	Bearing (Front) .....	BR52		Master Seal and Bearing Kit Rear .....	SDK304-MK
	(Set Components) .....	M88048/M88010	1978-1973	9.25 " Ring Gear:	
	Bearing (Rear) .....	HM89446/HM89410		Standard Seal and Bearing Kit Rear .....	SDK304
1958	350 Eng.:			Master Seal and Bearing Kit Rear .....	SDK304-MK
	Seal .....	18912	1978-1969	8.25 " & 8.375 " Ring Gear:	
	(Speedi-Sleeve) .....	99187		Standard Seal and Bearing Kit Rear .....	SDK303
	Bearing (Front) .....	BR52		Master Seal and Bearing Kit Rear .....	SDK303-MK
	(Set Components) .....	M88048/M88010	1974-1969	8.75 " w/1.875 " Pin. Shaft O.D. Ring Gear:	
	Bearing (Rear) .....	HM89446/HM89410		Standard Seal and Bearing Kit Rear .....	SDK301
1957-1950	All:		1972-1966	Dana 60 Axle:	
	Bearing (Front) .....	HM89443/HM89410		Standard Seal and Bearing Kit Rear .....	SDK331
	Bearing (Rear) .....	HM89446/HM89410	1971-1966	7.25 " Ring Gear:	
				Standard Seal and Bearing Kit Rear .....	SDK302
			1968-1957	8.75 " w/1.75 " Pin. Shaft O.D. Ring Gear:	
				Standard Seal and Bearing Kit Rear .....	SDK300
<b>Differential</b>			<b>Clutch</b>		
1989-1982	7.25" Ring Gear:		<b>Pilot</b>		
	Bearing .....	BR35	1980-1960 All:		
	(Set Components) .....	LM501349/LM501310	Bearing .....		
1989-1975	8.25" Ring Gear:		B286		
	Bearing .....	BR36	<b>Release</b>		
	(Set Components) .....	LM603049/LM603012	1978-1973 All:		
1978-1973	9.25" Ring Gear:		Bearing Only .....		
	Bearing .....	JLM704649/JLM704610	Bearing Assembly .....		
1974-1970	8.25" Ring Gear:		(Self-Aligning) .....		
	Bearing .....	BR50	N1463-SA		
	(Set Components) .....	LM102949/LM102910	1972-1970 w/o 426 & 440 Eng.:		
1974-1969	8.75" Ring Gear:		Bearing Only .....		
	Bearing .....	LM104949/LM104912	Bearing Assembly .....		
1972-1966	9.75" Ring Gear:		(Self-Aligning) .....		
	Bearing .....	387-A/382-S	N1463-SA		
1971-1966	7.25" Ring Gear:		1972-1970 426 & 440 Eng.:		
	Bearing .....	BR35	Bearing Only .....		
	(Set Components) .....	LM501349/LM501310	N1181		
1969	8.25" Ring Gear:		1971-1969 6 Cyl. Eng. w/o H.D. Trans.:		
	Bearing .....	BR35	Bearing Only .....		
	(Set Components) .....	LM501349/LM501310	N1054		
1968	8.75" Ring Gear w/o Collapsible Spacer Type Axle:		Bearing Assembly .....		
	Bearing .....	BR25590/BR25520	(Self-Aligning) .....		
			N1463-SA		
1968	8.75" Ring Gear w/Collapsible Spacer Type Axle:		1971-1969 6 Cyl. Eng. w/H.D. Trans.:		
	Bearing .....	LM104949/LM104912	Bearing Only .....		
			N1054		
1968-1967	9.25" Ring Gear:		1968-1963 Exc. 11" Clutch:		
	Bearing .....	BR25590/BR25527	Bearing Only .....		
1967-1966	8.75" Ring Gear:		Bearing Assembly .....		
	Bearing .....	BR25590/BR25520	(Self-Aligning) .....		
			N1463-SA		
1965-1960	8.25" Ring Gear:		1968-1963 11" Clutch w/o 426 & 440 Eng.:		
	Bearing .....	BR25580/BR25520	Bearing Only .....		
			N1054		
1965-1960	8.75" Ring Gear:		1968-1963 11" Clutch w/426 & 440 Eng.:		
	Bearing .....	BR25590/BR25520	Bearing Only .....		
			N1181		
1959-1951	All:		1962-1960 All:		
	Bearing .....	HM89446/HM89410	Bearing Only .....		
			N1054		
			Bearing Assembly .....		
			(Self-Aligning) .....		
			N1463-SA		
			1956-1946 All:		
			Bearing Only .....		
			N1054		

(Continued)

**Plymouth (RWD) Belvedere, Caravelle (1984 thru 1978), Fury, Gran Fury, Gran Fury Salon, Road Runner, Satellite -- (Cont.)**

MFG./YEAR	MODEL & LOCATION	PART NO.	MFG./YEAR	MODEL & LOCATION	PART NO.
<b>Transmission-Automatic</b>			<b>Transmission-Manual (Cont.)</b>		
<b>Front Pump</b>			<b>Mainshaft Pilot</b>		
1989-1988	A999 Trans.:		1978-1960	3 Spd. Trans.:	
	Seal .....	15022		Bearing .....	[14] QBR23549
	(Speedi-Sleeve) .....	99149	1975-1960	4 Spd. Trans.:	
1989-1970	A727 Trans.:			Bearing .....	[16] QBR23549
	Seal .....	18508	1973-1961	3 Spd. H.D. Trans.:	
1987-1967	A904 & A941 Trans.:			Bearing .....	[15] QBR23549
	Seal .....	15022	1959-1946	3 Spd. Trans.:	
	(Speedi-Sleeve) .....	99149		Bearing .....	[14] QBR23549
1966-1962	All:		1959-1946	4 Spd. Trans.:	
	Seal .....	18508		Bearing .....	[14] QBR23549
1961-1946	All:		<b>Rear</b>		
	Seal .....	21103	1978-1977	3 Spd. Trans. Exc. Fury:	
	(Speedi-Sleeve) .....	99212		Seal .....	15546
<b>Mainshaft Extension</b>				(Speedi-Sleeve) .....	99156
1956-1955	Power-Flite Trans.:			Bearing .....	■ 6307-NJ
	Bearing .....	6206-J	1978-1977	Fury w/3 Spd. Trans.:	
<b>Rear</b>				Seal .....	16725
1989-1988	A999 Trans.:			(Speedi-Sleeve) .....	99168
	Seal .....	15546		(Speedi-Sleeve/Seal Kit) .....	480168
	(Speedi-Sleeve) .....	99156		Bearing .....	■ 6307-NJ
1989-1965	A727 Trans.:		1978-1976	4 Spd. Trans.:	
	Seal .....	16725		Seal .....	16725
	(Speedi-Sleeve) .....	99168		(Speedi-Sleeve) .....	99168
	(Speedi-Sleeve/Seal Kit) .....	480168		(Speedi-Sleeve/Seal Kit) .....	480168
1987-1973	A904 & A941 Trans.:			Bearing .....	■ 6307-NJ
	Seal .....	15546	1975	A230 Trans.:	
	(Speedi-Sleeve) .....	99156		Seal .....	16725
1972	A904 & A941 Trans. Exc. Trans. No. 3681061, 063:			(Speedi-Sleeve) .....	99168
	Seal .....	15535		(Speedi-Sleeve/Seal Kit) .....	480168
	(Speedi-Sleeve) .....	99156	1974	A230 Trans. Exc. Trans. No. 3681834, 36:	
1972	A904 & A941 Trans. w/Trans. No. 3681061, 063:			Seal .....	15546
	Seal .....	15546		(Speedi-Sleeve) .....	99156
	(Speedi-Sleeve) .....	99156	1974	A230 Trans. w/Trans. No. 3681834, 36:	
1971-1963	A904 Trans.:			Seal .....	16725
	Seal .....	15535		(Speedi-Sleeve) .....	99168
	(Speedi-Sleeve) .....	99156		(Speedi-Sleeve/Seal Kit) .....	480168
1962-1961	All:		1974-1973	A250 Trans.:	
	Seal .....	15620		Seal .....	15546
	(Speedi-Sleeve) .....	99156		(Speedi-Sleeve) .....	99156
1960	All:			Bearing .....	■ 6307-NJ
	Seal .....	11518	1974-1966	A833 Trans.:	
	(Speedi-Sleeve) .....	99120		Seal .....	16725
1959-1946	Power-Flite Trans.:			(Speedi-Sleeve) .....	99168
	Seal .....	15620		(Speedi-Sleeve/Seal Kit) .....	480168
	(Speedi-Sleeve) .....	99156		Bearing .....	■ 6307-NJ
<b>Transmission-Manual</b>			1973	A230 Trans.:	
<b>Countershaft</b>				Seal .....	15546
1972-1946	3 Spd. Trans.:			(Speedi-Sleeve) .....	99156
	Bearing .....	[44] C1086-Q	1972-1970	A230 Trans. Exc. Trans. No. 3681834, 36:	
<b>Front</b>				Seal .....	15535
1978-1960	All:			(Speedi-Sleeve) .....	99156
	Seal .....	10515	1972-1970	A230 Trans. w/Trans. No. 3681834, 36:	
	(Speedi-Sleeve) .....	99106		Seal .....	16725
	Bearing .....	■ 6307-NJ		(Speedi-Sleeve) .....	99168
				(Speedi-Sleeve/Seal Kit) .....	480168
			1972-1966	A903 Trans.:	
				Seal .....	15535
				(Speedi-Sleeve) .....	99156
				Bearing .....	207-NRJ
					(Continued)

# Passenger cars, light & medium trucks

(Cont.) -- Plymouth (RWD) Belvedere, Caravelle (1984 thru 1978), Fury, Gran Fury, Gran Fury Salon, Road Runner, Satellite

MFG./YEAR	MODEL & LOCATION	PART NO.	MFG./YEAR	MODEL & LOCATION	PART NO.
<b>Transmission-Manual (Cont.)</b>			<b>Engine (Cont.)</b>		
<b>Rear (Cont.)</b>			<b>Timing Cover</b>		
<b>1969-1966 A745 Trans.:</b>			<b>1989-1978 318 (5.2L) Eng.:</b>		
Seal		16725	Seal		21944
(Speedi-Sleeve)		99168	(Speedi-Sleeve)		99218
(Speedi-Sleeve/Seal Kit)		480168	(Speedi-Sleeve/Seal Kit)		480219
Bearing		307-J	<b>1983-1974 6 Cyl. Eng. From 4/20/74:</b>		
<b>1965-1963 A903 Trans.:</b>			<b>Seal</b>		
Seal		13535			22425
(Speedi-Sleeve)		99138	(Speedi-Sleeve)		99225
Bearing		207-NRJ	<b>1980-1978 360 (5.9L) Eng.:</b>		
<b>1965-1963 A745 &amp; A833 Trans.:</b>			<b>Seal</b>		
Seal		15620			21944
(Speedi-Sleeve)		99156	(Speedi-Sleeve)		99218
Bearing		307-J	(Speedi-Sleeve/Seal Kit)		480219
<b>1962-1960 All:</b>			<b>1978 400 &amp; 440 Eng.:</b>		
Seal		13535	Seal		21820
(Speedi-Sleeve)		99138	(Speedi-Sleeve)		99218
Bearing		207-NRJ	<b>1977-1975 8 Cyl. Eng.:</b>		
<b>1959-1946 All:</b>			<b>Seal</b>		
Seal		15620			21944
(Speedi-Sleeve)		99156	(Speedi-Sleeve)		99218
Bearing		307-J	(Speedi-Sleeve/Seal Kit)		480219
<b>Reverse Idler</b>			<b>1974-1972 8 Cyl. Eng. From 12/5/72:</b>		
<b>1978-1946 3 Spd. Trans.:</b>			<b>Seal</b>		
Bearing		[22] C1086-Q			21820
<b>Air Conditioning Clutch</b>			<b>(Speedi-Sleeve)</b>		
<b>1986-1958 All:</b>					
Bearing		5206-A2RS	99218		
<b>Air Conditioning Compressor</b>			<b>(Speedi-Sleeve/Seal Kit)</b>		
<b>1963-1958 All:</b>					
Bearing		6205-J	480219		
<b>Alternator</b>			<b>1967-1960 8 Cyl. Eng. Exc. 273 &amp; 318 Eng.:</b>		
<b>1989-1975 100 &amp; 114 Amp.:</b>			<b>Seal</b>		
Bearing (Front)		6303-2ZJ			21944
<b>1989-1963 w/o 100 &amp; 114 Amp.:</b>			<b>(Speedi-Sleeve)</b>		
Bearing (Front)		6203-2RSJ			99218
Bearing (Rear)		MNJ471-S	<b>(Speedi-Sleeve/Seal Kit)</b>		
<b>1962-1961 All:</b>					
Bearing (Front)		6203-J	480219		
Bearing (Rear)		MNJ471-S	<b>1967-1960 273 &amp; 318 Eng.:</b>		
<b>1960 All:</b>			<b>Seal</b>		
Bearing		[2] 6203-J			21944
<b>Engine</b>			<b>(Speedi-Sleeve)</b>		
<b>Crankshaft-Rear</b>					
<b>1989 318 (5.2L) Eng.:</b>			<b>1952-1946 6 Cyl. Eng.:</b>		
Seal Kit		212	Seal		21820
<b>1988-1982 318 (5.2L) Eng.:</b>			<b>(Speedi-Sleeve)</b>		
Seal Kit		212			99218
<b>1980-1971 360 (5.9L) Eng.:</b>			<b>1967-1960 273 &amp; 318 Eng.:</b>		
Seal Kit		214	Seal		21944
<b>1980-1958 318 (5.2L) &amp; 340 (5.6L) Eng.:</b>			<b>(Speedi-Sleeve)</b>		
Seal Kit		212			99218
<b>1957-1953 8 Cyl. Eng.:</b>			<b>1952-1946 6 Cyl. Eng.:</b>		
Seal Kit		212	Seal		21820
<b>Steering-Power</b>			<b>(Speedi-Sleeve)</b>		
<b>Pitman Shaft</b>					
<b>1989-1973 All:</b>			<b>1989-1973 All:</b>		
Seal			Seal		
12350			12350		
<b>1961-1954 All:</b>			<b>1961-1954 All:</b>		
Seal			Seal		
12350			12350		
<b>Pump Shaft</b>			<b>1989-1966 Key Slotted Sh.:</b>		
<b>1989-1966 Key Slotted Sh.:</b>			<b>Seal</b>		
Seal					
7475			<b>1975-1969 w/o Key Slotted Sh.:</b>		
<b>1975-1969 w/o Key Slotted Sh.:</b>			<b>Seal</b>		
Seal					
6229			<b>1968-1967 4.875" Dia. Reservoir:</b>		
<b>1968-1967 4.875" Dia. Reservoir:</b>			<b>Seal</b>		
Seal					
6229			<b>1968-1961 4.625" Dia. Reservoir:</b>		
<b>1968-1961 4.625" Dia. Reservoir:</b>			<b>Seal</b>		
Seal					
6767			<b>1968-1961 5.125" Dia. Reservoir:</b>		
<b>1968-1961 5.125" Dia. Reservoir:</b>			<b>Seal</b>		
Seal					
8019			<b>1960-1959 All:</b>		
<b>1960-1959 All:</b>			<b>Seal</b>		
Seal					
6767			(Continued)		

**Plymouth (RWD) Belvedere, Caravelle (1984 thru 1978), Fury, Gran Fury, Gran Fury Salon, Road Runner, Satellite -- (Cont.)**

MFG./YEAR	MODEL & LOCATION	PART NO.	MFG./YEAR	MODEL & LOCATION	PART NO.
<b>Steering-Power (Cont.)</b>			<b>Steering-Standard</b>		
<b>Pump Shaft (Cont.)</b>			<b>Pitman Shaft</b>		
1958	Federal Pump:		1961-1954	All:	
Seal	.....	6767	Seal	.....	12350
1958	Thompson Pump:		1953-1946	All:	
Seal	.....	6729	Seal	.....	12336
1957-1946	All:		<b>Worm Shaft</b>		
Seal	.....	7440	1978-1946	All:	
<b>Worm Shaft</b>			Seal	.....	7412
1989-1946	All:				
Seal	.....	6141			

**Plymouth Truck Arrow Pickup**

<b>Wheel Front</b>			<b>Transmission-Automatic (Cont.)</b>		
1982-1979	All:		<b>Rear</b>		
Seal	.....	19605	1982-1979	All:	
Bearing (Inner)	.....	BR5	Seal	.....	15546
(Set Components)	.....	LM48548/LM48510	(Speedi-Sleeve)	.....	99156
Bearing (Outer)	.....	BR3	<b>Transmission-Manual</b>		
(Set Components)	.....	M12649/M12610	<b>Front</b>		
<b>Wheel Rear</b>			1982-1979	All:	
1982	All:		Seal	.....	11615
Seal (Inner)	.....	14510	(Speedi-Sleeve)	.....	99114
Seal (Outer)	.....	19211	Bearing	.....	6307-NRJ
Sealed Bearing	.....	GRW161	<b>Rear</b>		
1981	All:		1982-1979	All:	
Seal (Inner)	.....	14494	Seal	.....	14017
Seal (Outer)	.....	19211	(Speedi-Sleeve)	.....	99146
Sealed Bearing	.....	GRW161	Bearing	.....	6207-NRJ
1980-1979	All:		<b>Alternator</b>		
Seal (Inner)	.....	14510	1982	All:	
Seal (Outer)	.....	19211	Bearing (Front)	.....	6302-2ZJ
Sealed Bearing	.....	GRW161	1981-1979	All:	
<b>Pinion</b>			Bearing (Front)	.....	6302-2ZJ
1982-1979	All:		Bearing (Rear)	.....	6201-2ZJ
Seal	.....	17667	<b>Drive Shaft</b>		
(Speedi-Sleeve)	.....	99177	1982-1979	All:	
Bearing (Front)	.....	M88043/M88010	Bearing & Support	.....	HB1680-10
Bearing (Rear)	.....	HM89449/HM89410	<b>Engine</b>		
<b>Differential</b>			<b>Crankshaft-Rear</b>		
1982-1979	All:		1982-1979	All:	
Bearing	..... [2]	KC11445-Y	Seal	.....	31506
(Set Components)	.....	BR17887/BR17831	(Speedi-Sleeve)	.....	99317
<b>Clutch</b>			<b>Timing Cover</b>		
<b>Release</b>			1982-1979	All:	
1982-1979	All:		Seal	.....	18854
Bearing Assembly	.....	N4030	(Speedi-Sleeve)	.....	99189
<b>Transmission-Automatic</b>			<b>Steering-Power</b>		
<b>Front Pump</b>			<b>Pitman Shaft</b>		
1982-1979	All:		1982-1980	All:	
Seal	.....	15022	Seal	.....	525327
(Speedi-Sleeve)	.....	99149	(Continued)		

# Passenger cars, light & medium trucks

## (Cont.) -- Plymouth Truck Arrow Pickup

MFG./YEAR	MODEL & LOCATION	PART NO.	MFG./YEAR	MODEL & LOCATION	PART NO.
<b>Steering-Power (Cont.)</b>			<b>Steering-Standard (Cont.)</b>		
<b>Pump Shaft</b>			<b>Worm Shaft</b>		
1982-1980	From 11/79:		1982-1981	All:	
	Seal .....	7475		Seal .....	7220
1980	Thru 10/79:				
	Seal .....	7005			
<b>Steering-Standard</b>					
<b>Pinion</b>					
1982-1979	All:				
	Seal .....	10930			

## Plymouth Truck Trailduster

<b>Wheel Front (2 W/D)</b>			<b>Wheel Rear</b>		
1981-1978	3600 lb Axle:		1981-1978	9.25" Std. Ring Gear:	
	Seal .....	20425		Seal .....	↔16044
	Bearing (Inner) .....	BR11		(Superseded by:)	16404
	(Set Components) .....	JL69349/JL69310		Bearing .....	R1559-TV
	Bearing (Outer) .....	BR16		(Axle Repair Brg. Assy.) .....	• R1559
	(Set Components) .....	LM12749/LM12711		<b>1981-1978 9.25" H.D. Ring Gear:</b>	
1981-1974	3000 & 3300 lb. Axles:			Seal .....	17100
	Seal .....	19500		Bearing .....	R1561-TV
	Bearing (Inner) .....	BR17		(Axle Repair Brg. Assy.) .....	• R1561-F
	(Set Components) .....	L68149/L68111		<b>1981-1974 8.375" Ring Gear:</b>	
	Bearing (Outer) .....	BR16		Seal .....	↔16044
	(Set Components) .....	LM12749/LM12711		(Superseded by:)	16404
				Bearing .....	R1559-TV
				(Axle Repair Brg. Assy.) .....	• R1559
<b>Wheel Front (4 W/D)</b>				<b>1977-1974 8.75" Ring Gear:</b>	
1981-1978	All:			Seal (Inner) .....	15460
	Seal .....	24898		Seal (Outer) .....	19000
	Bearing (Inner) .....	LM104949/JLM104910		Bearing .....	BR7
	Bearing (Outer) .....	BR35		(Set Components) .....	M201047-S/M201011
	(Set Components) .....	LM501349/LM501310			
1977-1975	All:		<b>Pinion</b>		
	Seal .....	26153	<b>Front Axle</b>		
	(V-Ring) .....	400700	<b>1981-1974 4 W/D:</b>		
	Bearing .....	BR25		Seal .....	15788
1974	Disc Brks.:			(Speedi-Sleeve) .....	99155
	Seal .....	26153		Bearing (Front) .....	BR31594/BR31520
	Bearing (Inner) .....	BR37		Bearing (Rear) .....	BR02872/BR02820
	(Set Components) .....	LM603049/LM603011			
	Bearing (Outer) .....	BR35		<b>Rear Axle</b>	
	(Set Components) .....	LM501349/LM501310		<b>1981-1974 9.25" Ring Gear:</b>	
1974	Drum Brks.:			Seal .....	18708
	Seal .....	24904		(Speedi-Sleeve) .....	99187
	Bearing (Inner) .....	BR37		Bearing (Front) .....	BR52
	(Set Components) .....	LM603049/LM603011		(Set Components) .....	M88048/M88010
	Bearing (Outer) .....	BR35		Bearing (Rear) .....	M804049/M804010
	(Set Components) .....	LM501349/LM501310		<b>1981-1974 8.375" Ring Gear:</b>	
				Seal .....	16805
				(Speedi-Sleeve) .....	99168
				Bearing (Front) .....	M86649/M86610
				Bearing (Rear) .....	M802048/M802011
				<b>1977-1974 8.75" Ring Gear:</b>	
				Seal .....	18708
				(Speedi-Sleeve) .....	99187
				Bearing (Front) .....	BR52
				(Set Components) .....	M88048/M88010
				Bearing (Rear) .....	M804049/M804010
					(Continued)
<b>Axle Shaft</b>					
1981-1980	All:				
	Seal .....	24898			
1979-1974	All:				
	Seal .....	13165			
<b>Spindle Hub</b>					
1981-1974	All:				
	Seal .....	22311			
	(V-Ring) .....	711818			
	Bearing Assembly .....	B2110			
	Seal & Bearing Kit .....	BK1			

**Plymouth Truck Trailduster -- (Cont.)**

MFG./YEAR	MODEL & LOCATION	PART NO.	MFG./YEAR	MODEL & LOCATION	PART NO.
<b>Differential Kit</b>			<b>Transfer Case (Cont.)</b>		
1981-1974	9.25" Ring Gear:		<b>Rear Output Shaft (Cont.)</b>		
	Standard Seal and Bearing Kit Rear	SDK304	1974	New Process 205:	
	Master Seal and Bearing Kit Rear	SDK304-MK		Seal	21213
<b>Front Axle</b>				(Speedi-Sleeve)	99212
1981-1974	4 W/D:		<b>Shift Shaft</b>		
	Bearing	[2] BR25590/BR25523	1974	New Process 205:	
<b>Rear Axle</b>				Seal	7464
1981-1974	9.25" Ring Gear:			(Speedi-Sleeve)	99076
	Bearing	[2] JLM704649/JLM704610	<b>Transmission-Automatic</b>		
1981-1974	8.375" Ring Gear:		<b>Front Pump</b>		
	Bearing	[2] BR36	1981-1978	A904 & A999 Trans.:	
	(Set Components)	LM603049/LM603012		Seal	15022
1977-1974	8.75" Ring Gear:			(Speedi-Sleeve)	99149
	Bearing	[2] LM104949/LM104912	1981-1974	A727 Trans.:	
<b>Clutch Pilot</b>				Seal	18508
1981-1974	All:		<b>Rear</b>		
	Bearing	B286	1981-1978	A904 & A999 Trans.:	
<b>Release</b>				Seal	15546
1981-1974	All:			(Speedi-Sleeve)	99156
	Bearing Only	N1054	1981-1974	A727 Trans.:	
	Bearing Assembly	N1463		Seal (1.563" Shaft)	15729
	(Self-Aligning)	N1463-SA		Seal (1.688" Shaft)	16725
<b>Transfer Case</b>				(Speedi-Sleeve) (1.688" Shaft)	99168
<b>Front Output Shaft</b>				(Speedi-Sleeve/Seal Kit)	480168
1981-1980	New Process 208:		<b>Shift Shaft</b>		
	Seal	18662	1981-1974	All:	
	(Speedi-Sleeve)	99187		Seal	8017
1979-1978	New Process 203:		<b>Transmission-Manual</b>		
	Seal	17720	<b>Countershaft</b>		
	(Speedi-Sleeve)	99174	1981-1974	435 Trans.:	
1977-1975	New Process 203:			Bearing (Front)	M24161-X1
	Seal	17716		Bearing (Rear)	B3216
	(Speedi-Sleeve)	99174		Bearing (Rear Thrust)	NTA2031
1974	New Process 205:		1981-1974	445 Trans.:	
	Seal	21213		Bearing (Front)	M24161-X1
	(Speedi-Sleeve)	99212		Bearing (Rear)	B3216
<b>Input Shaft</b>			<b>Front</b>		
1981-1975	All:		1981-1974	435 & 445 Trans.:	
	Seal	19255		Seal	13557
	(Speedi-Sleeve)	99193		(Speedi-Sleeve)	99138
	Bearing	[2] B5020		Bearing	HM88649/HM88610
1974	New Process 205:		1981-1974	A833 Trans.:	
	Seal	21213		Seal	10515
	(Speedi-Sleeve)	99212		(Speedi-Sleeve)	99106
<b>Oil Pump</b>			1981-1974	A230 Trans.:	
1981-1980	New Process 208:			Seal	10515
	Seal	22306		(Speedi-Sleeve)	99106
	(Speedi-Sleeve)	99225	1981-1974	A390 Tremac Trans.:	
<b>Rear Output Shaft</b>				Seal	11123
1981-1980	New Process 208:			(Speedi-Sleeve)	99112
	Seal	18662		Bearing	HM88649/HM88610
	(Speedi-Sleeve)	99187	1977-1974	A745 Trans.:	
1979-1975	New Process 203:			Seal	10515
	Seal	21061		(Speedi-Sleeve)	99106
	(Speedi-Sleeve)	99212	<b>Mainshaft Pilot</b>		
	Bearing (Rear)	6207-NRJ	1981-1974	435 & 445 Trans.:	
				Bearing	[14] Q15902
					(Continued)



# Passenger cars, light & medium trucks

## (Cont.) -- Plymouth Truck Trailduster

MFG./YEAR	MODEL & LOCATION	PART NO.	MFG./YEAR	MODEL & LOCATION	PART NO.
<b>Transmission-Manual (Cont.)</b>			<b>Engine (Cont.)</b>		
<b>Rear</b>			<b>Timing Cover</b>		
<b>1981-1974 A833 Trans.:</b>			<b>1981-1974 8 Cyl. Eng.:</b>		
	Seal .....	16725		Seal .....	21944
	(Speedi-Sleeve) .....	99168		(Speedi-Sleeve) .....	99218
	(Speedi-Sleeve/Seal Kit) .....	480168		(Speedi-Sleeve/Seal Kit) .....	480219
<b>1981-1974 435 &amp; 445 Trans.:</b>			<b>1980-1978 225 Eng.:</b>		
	Seal .....	15620		Seal .....	22425
	(Speedi-Sleeve) .....	99156		(Speedi-Sleeve) .....	99225
	Bearing .....	308-NRJ	<b>1977-1974 225 Eng.:</b>		
<b>1981-1974 A230 &amp; A390 Trans.:</b>				Seal .....	21944
	Seal .....	16725		(Speedi-Sleeve) .....	99218
	(Speedi-Sleeve) .....	99168	<b>Steering-Power</b>		
	(Speedi-Sleeve/Seal Kit) .....	480168	<b>Pitman Shaft</b>		
<b>1977-1974 A745 Trans.:</b>			<b>1981-1974 All:</b>		
	Seal (1.563" Shaft) .....	15620		Seal (Inner) .....	12371
	(Speedi-Sleeve) (1.563" Shaft) .....	99156		Seal (Outer) .....	12355
	Seal (1.688" Shaft) .....	16725		Seal Kit .....	12392
	(Speedi-Sleeve) (1.688" Shaft) .....	99168	<b>Pump Shaft</b>		
	(Speedi-Sleeve/Seal Kit) .....	480168	<b>1981-1974 All:</b>		
<b>Air Conditioning Clutch</b>				Seal .....	7475
<b>1981-1974 All:</b>			<b>Worm Shaft</b>		
	Bearing .....	5206-A2RS	<b>1977-1974 All:</b>		
<b>Air Conditioning Compressor</b>				Seal .....	6141
<b>1978-1974 All:</b>			<b>Steering-Standard</b>		
	Bearing .....	6205-J	<b>Pitman Shaft</b>		
<b>Alternator</b>			<b>1981-1974 All:</b>		
<b>1981-1974 w/o 100 Amp.:</b>				Seal .....	12350
	Bearing (Front) .....	6203-2RSJ	<b>Worm Shaft</b>		
	Bearing (Rear) .....	MNJ471-S	<b>1981-1974 All:</b>		
<b>1981-1974 100 Amp.:</b>				Seal .....	7481
	Bearing (Front) .....	6303-2ZJ	<b>Engine</b>		
<b>Crankshaft-Rear</b>			<b>1981-1974 360 (5.9L) Eng.:</b>		
	Seal Kit .....	214	<b>1981-1974 318 (5.2L) Eng.:</b>		
	Seal Kit .....	212			

## Plymouth Truck Voyager (thru 1983)

<b>Wheel Front</b>		<b>Wheel Rear</b>		
<b>1983-1978 3600 lb Axle:</b>		<b>1983-1978 8.375" Ring Gear:</b>		
	Seal .....	20425	Seal .....	↔16044
	Bearing (Inner) .....	BR11	(Superseded by:)	16404
	(Set Components) .....	JL69349/JL69310	Bearing .....	R1559-TV
	Bearing (Outer) .....	BR16	(Axle Repair Brg. Assy.)	• R1559
	(Set Components) .....	LM12749/LM12711	<b>1983-1974 9.25" Ring Gear:</b>	
<b>1983-1974 3300 lb. Axle:</b>			Seal .....	↔16044
	Seal .....	19500	(Superseded by:)	16404
	Bearing (Inner) .....	BR17	Bearing .....	R1559-TV
	(Set Components) .....	L68149/L68111	(Axle Repair Brg. Assy.)	• R1559
	Bearing (Outer) .....	BR16	<b>1977-1974 8.75" Ring Gear:</b>	
	(Set Components) .....	LM12749/LM12711	Seal (Inner) .....	15460
			Seal (Outer) .....	19000
			Bearing .....	BR7
			(Set Components) .....	M201047-S/M201011
				(Continued)

**Plymouth Truck Voyager (thru 1983) -- (Cont.)**

MFG./YEAR	MODEL & LOCATION	PART NO.	MFG./YEAR	MODEL & LOCATION	PART NO.
<b>Pinion</b>			<b>Transmission-Manual</b>		
<b>1983-1978 8.375" Ring Gear:</b>			<b>Front</b>		
	Seal	16805	<b>1983-1974 A230 &amp; A833 Trans.:</b>		
	(Speedi-Sleeve)	99168		Seal	10515
	Bearing (Front)	M86649/M86610		(Speedi-Sleeve)	99106
	Bearing (Rear)	M802048/M802011	<b>1981-1974 A390 Tremac Trans.:</b>		
<b>1983-1974 9.25" Ring Gear:</b>				Seal	11123
	Seal	18708		(Speedi-Sleeve)	99112
	(Speedi-Sleeve)	99187	<b>1977-1974 A250 Trans.:</b>		
	Bearing (Front)	BR52		Seal	10515
	(Set Components)	M88048/M88010		(Speedi-Sleeve)	99106
	Bearing (Rear)	M804049/M804010	<b>Rear</b>		
<b>1977-1974 8.75" Ring Gear:</b>			<b>1983-1974 A230 &amp; A833 Trans.:</b>		
	Seal	18708		Seal	16725
	(Speedi-Sleeve)	99187		(Speedi-Sleeve)	99168
	Bearing (Front)	BR52		(Speedi-Sleeve/Seal Kit)	480168
	(Set Components)	M88048/M88010	<b>1981-1974 A390 Tremac Trans.:</b>		
	Bearing (Rear)	M802048/M802011		Seal	16725
<b>Differential</b>				(Speedi-Sleeve)	99168
<b>1983-1978 8.375" Ring Gear:</b>				(Speedi-Sleeve/Seal Kit)	480168
	Bearing	[2] BR36	<b>1977-1974 A250 Trans.:</b>		
	(Set Components)	LM603049/LM603012		Seal (1.563" Shaft)	15620
<b>1983-1974 9.25" Ring Gear:</b>				(Speedi-Sleeve) (1.563" Shaft)	99156
	Bearing	[2] JLM704649/JLM704610		Seal (1.688" Shaft)	16725
<b>1977-1974 8.75" Ring Gear:</b>				(Speedi-Sleeve) (1.688" Shaft)	99168
	Bearing	[2] LM104949/LM104912		(Speedi-Sleeve/Seal Kit)	480168
<b>Clutch</b>			<b>Shift Shaft</b>		
<b>Pilot</b>			<b>1978-1974 A250 Trans.:</b>		
<b>1983-1974 All:</b>				Seal	6141
	Bearing	B286		(Speedi-Sleeve)	99062
<b>Release</b>			<b>Alternator</b>		
<b>1983-1974 All:</b>			<b>1983-1974 w/o 100 Amp.:</b>		
	Bearing Only	N1054		Bearing (Front)	6203-2RSJ
	Bearing Assembly	N1463		Bearing (Rear)	MNJ471-S
	(Self-Aligning)	N1463-SA	<b>1983-1974 100 Amp.:</b>		
				Bearing (Front)	6303-2ZJ
<b>Transmission-Automatic</b>			<b>Engine</b>		
<b>Front Pump</b>			<b>Crankshaft-Rear</b>		
<b>1983-1978 A904 &amp; A999 Trans.:</b>			<b>1983-1974 360 (5.9L) Eng.:</b>		
	Seal	15022		Seal Kit	214
	(Speedi-Sleeve)	99149	<b>1983-1974 318 (5.2L) Eng.:</b>		
<b>1983-1974 A727 Trans.:</b>				Seal Kit	212
	Seal	18508	<b>Timing Cover</b>		
<b>Rear</b>			<b>1983-1978 225 Eng.:</b>		
<b>1983-1978 A904 &amp; A999 Trans.:</b>				Seal	22425
	Seal	15546		(Speedi-Sleeve)	99225
	(Speedi-Sleeve)	99156	<b>1983-1974 8 Cyl. Eng.:</b>		
<b>1983-1974 A727 Trans.:</b>				Seal	21944
	Seal (1.563" Shaft)	15620		(Speedi-Sleeve)	99218
	(Speedi-Sleeve) (1.563" Shaft)	99156		(Speedi-Sleeve/Seal Kit)	480219
	Seal (1.688" Shaft)	16725	<b>1977-1974 225 Eng.:</b>		
	(Speedi-Sleeve) (1.688" Shaft)	99168		Seal	22415
	(Speedi-Sleeve/Seal Kit)	480168		(Speedi-Sleeve)	99226
<b>Shift Shaft</b>			<b>Steering-Power</b>		
<b>1983-1974 All:</b>			<b>Pitman Shaft</b>		
	Seal	8017	<b>1983-1978 All:</b>		
				Seal	12350
					(Continued)

# Passenger cars, light & medium trucks

(Cont.) -- Plymouth Truck Voyager (thru 1983)

MFG./YEAR	MODEL & LOCATION	PART NO.	MFG./YEAR	MODEL & LOCATION	PART NO.
<b>Steering-Power (Cont.)</b>			<b>Steering-Standard</b>		
<b>Pitman Shaft (Cont.)</b>			<b>Pitman Shaft</b>		
1977-1974 All:			1983-1974 All:		
	Seal (Inner) .....	12371		Seal .....	12350
	Seal (Outer) .....	12355	<b>Worm Shaft</b>		
	Seal Kit .....	12392	1983-1974 All:		
<b>Pump Shaft</b>			Seal .....		
1983-1974 All:			7412		
	Seal .....	7475	<b>Worm Shaft</b>		
<b>Worm Shaft</b>			1983-1978 All:		
	Seal .....	6139	1977-1974 All:		
	Seal .....	6141	Seal .....		

## Pontiac (FWD) (Full Size), Bonneville (from 1987)

<b>Wheel Front</b>			<b>Alternator</b>		
1995-1992 w/ABS:			1995 2nd Design:		
	Hub Assembly .....	BR930076		Bearing (Front) .....	6303-2RSJ
1992 w/o ABS:				Bearing (Rear) .....	6000-2RSJ
	Hub Assembly .....	BR930077	1987 108 Amp.:		
1991-1987 All:				Bearing (Front) .....	6203-2RSJ
	Seal .....	24097		Bearing (Rear) .....	6000-2RSJ
	Hub Assembly (Kit) .....	BR930022K	<b>Engine</b>		
<b>Wheel Rear</b>			<b>Crankshaft-Rear</b>		
1995-1991 w/ABS:			1995-1991 231 (3.8L) Eng.:		
	Hub Assembly .....	BR930068		Seal .....	32289
1992-1987 w/o ABS:				(Speedi-Sleeve) .....	99328
	Hub Assembly .....	BR930026	1990-1987 All:		
1990-1987 w/ABS:				Seal Kit .....	191
	Hub Assembly .....	BR930049	<b>Timing Cover</b>		
<b>Transaxle-Automatic</b>			1995-1987 231 (3.8L) Eng.:		
<b>Front Pump</b>				Seal .....	19387
1995-1987 All:				(Speedi-Sleeve) .....	99193
	Seal .....	17849	<b>Steering-Power</b>		
<b>Output Shaft</b>			<b>Pump Shaft</b>		
1995-1992 4T60E Trans.:			1995-1992 w/o Electronic Strg.:		
	Seal (L.H.) .....	13959		Seal .....	7475
	(Speedi-Sleeve) (L.H.) .....	99139	1991-1987 All:		
	Seal (R.H.) .....	13750		Bearing .....	6203-2RSJ
	(Speedi-Sleeve) (R.H.) .....	99138	1992-1987 THM440 Trans.:		
	Seal (L.H.) .....	13959		Seal (L.H.) .....	13959
	(Speedi-Sleeve) (L.H.) .....	99139		(Speedi-Sleeve) (L.H.) .....	99139
	Seal (R.H.) .....	13750		Seal (R.H.) .....	13750
	(Speedi-Sleeve) (R.H.) .....	99138		(Speedi-Sleeve) (R.H.) .....	99138
<b>Shift Shaft</b>			1995-1987 All:		
	Seal .....	4912	(Speedi-Sleeve) .....		
	(Speedi-Sleeve) .....	99050	(Speedi-Sleeve/Seal Kit) .....		
	(Speedi-Sleeve/Seal Kit) .....	480050	<b>Air Conditioning Clutch</b>		
<b>Air Conditioning Clutch</b>			1995-1987 All:		
	Bearing .....	5908-VAW	<b>Air Conditioning Compressor</b>		
<b>Air Conditioning Compressor</b>			1990-1987 All:		
	Bearing .....	B128			

**Pontiac (FWD) Grand Am (from 1985), Grand Prix (from 1988), J2000, Sunbird (from 1982), Sunfire**

MFG./YEAR	MODEL & LOCATION	PART NO.	MFG./YEAR	MODEL & LOCATION	PART NO.
<b>Wheel Front</b>			<b>Transaxle-Automatic (Cont.)</b>		
1995	Grand Am & Sunfire:		<b>Output Shaft (Cont.)</b>		
	Seal .....	18765	1992-1988	THM440 Trans.:	
	Hub Assembly (Kit) .....	BR930028K		Seal (L.H.) .....	13959
1995-1988	Grand Prix:			(Speedi-Sleeve) (L.H.) .....	99139
	Hub Assembly (Kit) .....	BR930083K		Seal (R.H.) .....	13750
1994-1984	Grand Am, J2000 & Sunbird w/12mm Hole in Mtg. Flg.:			(Speedi-Sleeve) (R.H.) .....	99138
	Seal .....	18765	<b>Shift Shaft</b>		
	Hub Assembly (Kit) .....	BR930028K	1995-1984	All:	
1984-1982	J2000 & Sunbird w/10mm Hole in Mtg. Flg.:			Seal .....	4912
	Seal .....	18765		(Speedi-Sleeve) .....	99050
	Hub Assembly (Kit) .....	BR930034K		(Speedi-Sleeve/Seal Kit) .....	480050
<b>Wheel Rear</b>			1983-1982	All:	
1995-1992	Grand Prix w/ABS:			Seal .....	3683
	Hub Assembly .....	BR930096	<b>Transaxle-Manual</b>		
1995-1988	Grand Prix w/o ABS:		<b>Clutch Fork</b>		
	Hub Assembly .....	BR930026	1993-1982	All:	
1995-1992	Grand Am, Sunbird & Sunfire:			Seal .....	6720
	Hub Assembly .....	BR930070	<b>Differential</b>		
1991	Grand Am w/ABS:		1995-1983	5 Spd. Isuzu Trans.:	
	Hub Assembly .....	BR930070		Bearing .....	32008-X
1991-1988	Grand Prix w/ABS:		1994-1982	4 & 5 Spd. Muncie Trans.:	
	Hub Assembly .....	BR930087		Bearing .....	BR11
1991-1982	Grand Am, J2000 & Sunbird w/o ABS:			(Set Components) .....	JL69349/JL69310
	Hub Assembly .....	BR930093	<b>Input Shaft</b>		
<b>Clutch</b>			1995	5 Spd. Isuzu Trans.:	
<b>Release</b>				Seal .....	10937
1995-1991	5 Spd. Isuzu Trans. Exc. Grand Prix:			(Speedi-Sleeve) .....	99111
	Bearing Assembly .....	N4042		Bearing (Rear) .....	6306-2RSNR
1994-1993	5 Spd. Muncie Trans.:		1994-1988	w/o 5 Spd. Isuzu Trans.:	
	Bearing Assembly .....	N4905		Bearing .....	6305-2RSJ
1992-1991	5 Spd. Muncie Trans. Exc. Grand Prix:		1994-1983	5 Spd. Isuzu Trans.:	
	Bearing Assembly .....	N4005-SA		Seal .....	10937
1990-1986	5 Spd. Muncie Trans.:			(Speedi-Sleeve) .....	99111
	Bearing Assembly .....	N4005-SA		Bearing (Rear) .....	BR30306
1990-1982	5 Spd. Isuzu Trans.:		1986-1982	4 Spd. Trans.:	
	Bearing Assembly .....	N4042		Seal .....	10583
1986-1982	4 Spd. Trans.:			(Speedi-Sleeve) .....	99106
	Bearing Assembly .....	N3015		Bearing .....	BR4
	(Self-Aligning) .....	N3015-SA		(Set Components) .....	L44649/L44610
<b>Transaxle-Automatic</b>			<b>Output Shaft</b>		
<b>Front Pump</b>			1995-1983	5 Spd. Isuzu Trans.:	
1995-1982	All:			Seal .....	13750
	Seal .....	17849		(Speedi-Sleeve) .....	99138
<b>Output Shaft</b>				Bearing (Rear) .....	BR32206
1995	4T40E Trans.:		1994-1988	w/o 5 Spd. Isuzu Trans.:	
	Seal .....	16122		Seal .....	13750
1995-1994	THM125 Trans.:			(Speedi-Sleeve) .....	99138
	Seal .....	13750		Bearing (Rear) .....	5206A2RSNR
	(Speedi-Sleeve) .....	99138	1986-1982	4 Spd. Trans.:	
1995-1991	4T60E Trans.:			Seal .....	13750
	Seal (L.H.) .....	13735		(Speedi-Sleeve) .....	99138
	(Speedi-Sleeve) (L.H.) .....	99139		Bearing (Front) .....	BR5
	Seal (R.H.) .....	13750		(Set Components) .....	LM48548/LM48510
	(Speedi-Sleeve) (R.H.) .....	99138		Bearing (Rear) .....	BR15101/BR15245
1993-1982	w/o THM440 & 4T60E Trans.:				(Continued)
	Seal .....	13750			
	(Speedi-Sleeve) .....	99138			

# Passenger cars, light & medium trucks

(Cont.) -- Pontiac (FWD) Grand Am (from 1985), Grand Prix (from 1988), J2000, Sunbird (from 1982), Sunfire

MFG./YEAR	MODEL & LOCATION	PART NO.	MFG./YEAR	MODEL & LOCATION	PART NO.
<b>Transaxle-Manual (Cont.)</b>			<b>Engine (Cont.)</b>		
<b>Shift Shaft</b>			<b>Crankshaft-Rear (Cont.)</b>		
1995-1983	5 Spd. Isuzu Trans.:		1993-1992	Grand Am w/6 Cyl. Eng.:	
	Seal .....	6408		Seal .....	32289
	(Speedi-Sleeve) .....	99058		(Speedi-Sleeve) .....	99328
1994-1988	w/o 5 Spd. Isuzu Trans.:		1991-1985	Grand Am w/151 (2.5L) Eng.:	
	Seal .....	5806		Seal .....	29987
	(Speedi-Sleeve) .....	99059	1987-1985	Grand Am w/181 (3.0L) Eng.:	
1986-1982	4 Spd. Trans.:			Seal Kit .....	191
	Seal .....	5606	1986-1983	Sunbird w/121 (2.0L) Eng. & 11mm Thick Seal:	
	(Speedi-Sleeve) .....	99156		Seal .....	29862
				(Speedi-Sleeve) .....	99298
<b>Air Conditioning Clutch</b>			1982	Sunbird w/112 G (1.8L) Eng. & 11mm Thick Seal:	
1995-1982	All:			Seal .....	29862
	Bearing .....	5908-VAW		(Speedi-Sleeve) .....	99298
<b>Air Conditioning Compressor</b>			<b>Timing Belt Tensioner</b>		
1990-1982	RadialComp.:		1995	Grand Prix w/3.4L Eng.:	
	Bearing .....	B128		Bearing & Housing Assy. ....	VKM55004
<b>Alternator</b>			1989-1988	Grand Am w/2.0L Eng.:	
1995-1994	Grand Am w/191 (3.1L) Eng.:			Bearing & Housing Assy. ....	VKM55007
	Bearing (Rear) .....	AB14	1986-1984	121 (2.0L) Eng.:	
1990-1989	108 & 124 Amp.:			Bearing & Housing Assy. ....	VKM70001
	Bearing (Front) .....	6203-2RSJ	<b>Timing Belt and Tensioner Kit</b>		
	Bearing (Rear) .....	6000-2RSJ	1986-1984	121 (2.0L) Eng.:	
1988-1983	All:			Belt & Tensioner Kit .....	VKMA90002
	Bearing (Front) .....	6203-2RSJ	<b>Timing Cover</b>		
	Bearing (Rear) .....	6000-2RSJ	1995	134 (2.2L) Eng.:	
1982	All:			Seal .....	17286
	Bearing (Front) .....	6203-ZJ		(Speedi-Sleeve) .....	99176
	Bearing (Rear) .....	MNJ471-S	1995	Grand Am & Grand Prix w/189 (3.1L) Eng.:	
<b>Engine</b>				Seal .....	17286
<b>Camshaft</b>				(Speedi-Sleeve) .....	99176
1995-1992	3.4L Eng.:			(Speedi-Sleeve/Seal Kit) .....	480177
	Seal .....	16511	1995	Grand Am & Sunfire w/138 (2.3L) Eng.:	
	(Speedi-Sleeve) .....	99169		Seal .....	19887
1994-1988	140 (2.3L) Quad 4 Eng.:			(Speedi-Sleeve) .....	99199
	Seal .....	14166	1994	Grand Am w/189 (3.1L) Eng.:	
	(Speedi-Sleeve) .....	99146		Seal .....	17286
1994-1985	Grand AM & Sunbird w/110 J, O (1.8L) & 122 (2.0L) Eng.:			(Speedi-Sleeve) .....	99176
	Seal .....	13709		(Speedi-Sleeve/Seal Kit) .....	480177
	(Speedi-Sleeve) .....	99139	1994-1988	Grand Am & Grand Prix w/4 Cyl. Eng. w/o 151 (2.5L) Eng.:	
<b>Crankshaft-Rear</b>				Seal .....	19887
1995	134 (2.2L) Eng.:			(Speedi-Sleeve) .....	99199
	Seal .....	29862	1994-1988	Grand Prix & Sunbird w/6 Cyl. Eng.:	
	(Speedi-Sleeve) .....	99298		Seal .....	17286
1995	Grand Prix w/6 Cyl. Eng.:			(Speedi-Sleeve) .....	99176
	Seal .....	29862		(Speedi-Sleeve/Seal Kit) .....	480177
	(Speedi-Sleeve) .....	99298	1994-1987	Sunbird w/121 (2.0L) Eng.:	
1995-1994	Grand Am w/6 Cyl. Eng.:			Seal .....	12756
	Seal .....	29862		(Speedi-Sleeve) .....	99128
	(Speedi-Sleeve) .....	99298	1991-1985	Grand Am w/151 (2.5L) Eng.:	
1995	Grand Am & Sunfire w/138 (2.3L) Eng.:			Seal .....	17286
	Seal .....	32283		(Speedi-Sleeve) .....	99176
1994-1990	Grand Am & Grand Prix w/4 Cyl. Eng. w/o 151 (2.5L) Eng.:			(Speedi-Sleeve/Seal Kit) .....	480177
	Seal .....	32283	1987-1985	Grand Am w/181 (3.0L) Eng.:	
1994-1988	Grand Prix & Sunbird w/6 Cyl. Eng.:			Seal .....	19387
	Seal .....	29862		(Speedi-Sleeve) .....	99193
	(Speedi-Sleeve) .....	99298			(Continued)

**Pontiac (FWD) Grand Am (from 1985), Grand Prix (from 1988), J2000, Sunbird (from 1982), Sunfire -- (Cont.)**

MFG./YEAR	MODEL & LOCATION	PART NO.	MFG./YEAR	MODEL & LOCATION	PART NO.
<b>Engine (Cont.)</b>			<b>Steering-Power (Cont.)</b>		
<b>Timing Cover (Cont.)</b>			<b>Pump Shaft (Cont.)</b>		
1986-1985	Sunbird w/121 (2.0L) Eng.:		1987-1984	Sunbird w/2nd Design:	
	Seal .....	17286		Bearing .....	6203-2RSJ
	(Speedi-Sleeve) .....	99176	1986-1982	Sunbird w/1st Design:	
1984-1982	Sunbird w/112 G, 0 (1.8L) & 121 (2.0L) Eng.:			Seal .....	7475
	Seal .....	17286	<b>Worm Shaft</b>		
	(Speedi-Sleeve) .....	99176	1989-1988	Grand Prix w/o Sport Suspension:	
	(Speedi-Sleeve/Seal Kit) .....	480177		Seal .....	9705
<b>Steering-Power</b>			1988-1982	w/o H.D. Strg. Exc. Grand Prix:	
<b>Pump Shaft</b>				Seal .....	9705
1995-1994	All:		1988-1982	H.D. Strg. Exc. Grand Prix:	
	Seal .....	7475		Seal .....	19887
1993-1991	Grand Am 2nd Design:				
	Seal .....	7475			
1993-1989	Grand Prix & Sunbird w/2nd Design:				
	Seal .....	7475			
1991-1988	Grand Prix & Sunbird w/1st Design:				
	Bearing .....	6203-2RSJ			
1991-1985	Grand Am:				
	Bearing .....	6203-2RSJ			

**Pontiac (FWD) Lemans (from 1988)**

<b>Wheel Front</b>			<b>Transaxle-Automatic (Cont.)</b>		
1993-1988	1.6L Eng.:		<b>Shift Shaft</b>		
	Seal .....	15802	1993-1988	THM125 Trans.:	
	Bearing .....	B35		Seal .....	4912
1990-1989	2.0L Eng.:			(Speedi-Sleeve) .....	99050
	Seal .....	15802		(Speedi-Sleeve/Seal Kit) .....	480050
	Sealed Bearing .....	FW131	<b>Transaxle-Manual</b>		
<b>Wheel Rear</b>			<b>Output Shaft</b>		
1993-1988	All:		1993-1989	All:	
	Seal .....	15802		Seal .....	13750
	Bearing (Inner) .....	BR8		(Speedi-Sleeve) .....	99138
	(Set Components) .....	L45449/L45410	1988	F13 Stamped on Rr. of Transaxle Hsg.:	
	Bearing (Outer) .....	BR1		Seal .....	13952
	(Set Components) .....	LM11749/LM11710		(Speedi-Sleeve) .....	99139
<b>Clutch</b>			1988	F16 Stamped on Rr. of Transaxle Hsg.:	
<b>Release</b>				Seal .....	13750
1993-1989	All:			(Speedi-Sleeve) .....	99138
	Bearing Assembly .....	N4086	<b>Air Conditioning Clutch</b>		
1988	F13 Stamped on Rr. of Transaxle Hsg.:		1993-1988	All:	
	Bearing Assembly .....	N4104		Bearing .....	5908-VAW
1988	F16 Stamped on Rr. of Transaxle Hsg.:		<b>Alternator</b>		
	Bearing Assembly .....	N4086	1992-1988	1.6L Eng. w/Bosch 55 & 65 Amp.:	
<b>Transaxle-Automatic</b>				Bearing (Front) .....	6203-2RSJ
<b>Front Pump</b>				Bearing (Rear) .....	6201-2RSJ
1993-1988	THM125 Trans.:		<b>Engine</b>		
	Seal .....	17849	<b>Camshaft</b>		
<b>Output Shaft</b>			1993-1988	All:	
1993-1988	THM125 Trans.:			Seal .....	13709
	Seal .....	13750		(Speedi-Sleeve) .....	99139
	(Speedi-Sleeve) .....	99138	<b>Crankshaft-Rear</b>		
			1993-1988	98 (1.6L) Eng.:	
				Seal .....	31507
				(Speedi-Sleeve) .....	99315
			(Continued)		

# Passenger cars, light & medium trucks

## (Cont.) -- Pontiac (FWD) Lemans (from 1988)

MFG./YEAR	MODEL & LOCATION	PART NO.	MFG./YEAR	MODEL & LOCATION	PART NO.
<b>Engine (Cont.)</b>			<b>Engine (Cont.)</b>		
<b>Timing Belt Tensioner</b>			<b>Timing Cover</b>		
1993-1990	98 (1.6L) Eng.:		1993-1988	98 (1.6L) Eng.:	
	Bearing & Adjuster .....	VKM15121	Seal .....		10188
1990-1989	122 (2.0L) Eng.:		(Speedi-Sleeve) .....		99103
	Bearing & Housing Assy. ....	VKM70001	1990-1989	122 (2.0L) Eng.:	
<b>Timing Belt and Tensioner Kit</b>			Seal .....		12756
1990-1989	122 (2.0L) Eng. 2nd Design:		(Speedi-Sleeve) .....		99128
	Belt & Tensioner Kit .....	VKMA90002			

## Pontiac (FWD) Phoenix (from 1980), 6000

### Wheel Front

1991-1983	10.25" Dia. Rotor Exc. Phoenix:	
	Seal .....	24097
	Hub Assembly (Kit) .....	BR930022K
1989-1982	9.75" Dia. Rotor Exc. Phoenix:	
	Seal .....	18697
	Hub Assembly (Kit) .....	BR930091K
1984-1980	Phoenix:	
	Seal .....	18697
	Hub Assembly (Kit) .....	BR930091K

### Wheel Rear

1991-1983	10.25" Dia. Rotor w/o A.W.D.; Exc. Phoenix:	
	Hub Assembly .....	BR930026
1990-1988	A.W.D.:	
	Hub Assembly (Kit) .....	BR930022K
1989-1982	9.75" Dia. Rotor w/o A.W.D.; Exc. Phoenix:	
	Hub Assembly .....	BR930016
1988-1986	10.25" Dia. Rotor & ABS w/o A.W.D.:	
	Hub Assembly .....	BR930030
1984-1980	Phoenix:	
	Hub Assembly .....	BR930093

### Pinion

#### Rear Axle

1990-1988	A.W.D.:	
	Seal .....	15306
	(Speedi-Sleeve) .....	99152
	Bearing (Front) .....	BR52
	(Set Components) .....	M88048/M88010
	Bearing (Rear) .....	M86649/M86610

### Differential

#### Rear Axle

1990-1988	6000 w/A.W.D.:	
	Seal .....	13750
	(Speedi-Sleeve) .....	99138
	Bearing .....	BR11
	(Set Components) .....	JL69349/JL69310

### Clutch

#### Release

1988-1987	6000 w/173 (2.8L) Eng.:	
	Bearing Assembly .....	N4005-SA
1984-1980	Phoenix:	
	Bearing Assembly .....	N3015
	(Self-Aligning) .....	N3015-SA

### Transaxle-Automatic

#### Front Pump

1991-1982	THM125 & THM440 Trans. w/o A.W.D.:	
	Seal .....	17849

#### Output Shaft

1991-1985	THM440 Trans.:	
	Seal (L.H.) .....	13959
	(Speedi-Sleeve) (L.H.) .....	99139
	Seal (R.H.) .....	13750
	(Speedi-Sleeve) (R.H.) .....	99138
1991-1982	THM125 Trans.:	
	Seal .....	13750
	(Speedi-Sleeve) .....	99138
1981-1980	THM125 Trans. w/o GM Hsg. Repair Kit:	
	Seal .....	13750
	(Speedi-Sleeve) .....	99138

#### Shift Shaft

1991-1984	All:	
	Seal .....	4912
	(Speedi-Sleeve) .....	99050
	(Speedi-Sleeve/Seal Kit) .....	480050
1983-1980	All:	
	Seal .....	3683

### Transaxle-Manual

#### Clutch Fork

1984-1980	Phoenix:	
	Seal .....	9723
	(Speedi-Sleeve) .....	99098

#### Differential

1988-1987	6000 w/5 Spd. Trans.:	
	Bearing .....	BR11
	(Set Components) .....	JL69349/JL69310
1984-1980	Phoenix:	
	Bearing .....	BR11
	(Set Components) .....	JL69349/JL69310

#### Input Shaft

1988-1987	6000 w/5 Spd. Trans.:	
	Bearing .....	6305-2RSJ
1984-1980	Phoenix:	
	Seal .....	10583
	(Speedi-Sleeve) .....	99106
	Bearing .....	BR4
	(Set Components) .....	L44649/L44610

(Continued)

**Pontiac (FWD) Phoenix (from 1980), 6000 -- (Cont.)**

MFG./YEAR	MODEL & LOCATION	PART NO.	MFG./YEAR	MODEL & LOCATION	PART NO.
<b>Transaxle-Manual (Cont.)</b>			<b>Engine (Cont.)</b>		
<b>Output Shaft</b>			<b>Crankshaft-Rear (Cont.)</b>		
1988-1987	6000 w/5 Spd. Trans.:		1989-1985	173 W & X (2.8L) 2nd Design Eng. w/11mm	
	Seal	13750		Thick Seal:	
	(Speedi-Sleeve)	99138		Seal	29862
	Bearing (Rear)	5206A2RSNR		(Speedi-Sleeve)	99298
1984-1980	Phoenix:		1985-1982	260 (4.3L) Diesel Eng.:	
	Seal	13750		Seal Kit	191
	(Speedi-Sleeve)	99138	<b>Timing Cover</b>		
	Bearing (Front)	BR5	1990-1980	151 (2.5L), 173 (2.8L) & 189 (3.1L) Engs.:	
	(Set Components)	LM48548/LM48510		Seal	17286
	Bearing (Rear)	BR15101/BR15245		(Speedi-Sleeve)	99176
<b>Shift Shaft</b>				(Speedi-Sleeve/Seal Kit)	480177
1988-1987	6000 w/5 Spd. Trans.:		1985-1982	260 (4.3L) Diesel Eng.:	
	Seal	5806		Seal	19887
	(Speedi-Sleeve)	99059		(Speedi-Sleeve)	99199
1984-1980	Phoenix:		<b>Steering-Power</b>		
	Seal	5606	<b>Pump Shaft</b>		
	(Speedi-Sleeve)	99056	1991	6000:	
<b>Air Conditioning Clutch</b>				Seal	7475
1991-1980	All:		1990-1988	6000 w/o 151 (2.5L) Eng.:	
	Bearing	5908-VAW		Seal	7475
<b>Air Conditioning Compressor</b>			1986-1980	Exc. 6000 w/260 (4.3L) Diesel Eng.:	
1985-1980	All:			Seal	7475
	Bearing	B128	1985-1982	6000 w/260 (4.3L) Diesel Eng.:	
<b>Alternator</b>				Bearing	6203-2RSJ
1986-1983	All:		<b>Worm Shaft</b>		
	Bearing (Front)	6203-2RSJ	1988	6000 w/A.W.D.:	
	Bearing (Rear)	MNJ471-S		Seal	9705
1982-1980	All:		<b>Engine</b>		
	Bearing (Front)	6203-ZJ	<b>Crankshaft-Rear</b>		
	Bearing (Rear)	MNJ471-S	1991-1989	189 (3.1L) Eng.:	
<b>Engine</b>				Seal	29862
<b>Crankshaft-Rear</b>				(Speedi-Sleeve)	99298
1991-1980	151 (2.5L) Eng.:		1991-1980	151 (2.5L) Eng.:	
	Seal	29987		Seal	29987

**Pontiac (RWD) Astre, Phoenix (thru 1979), Sunbird (thru 1980), Ventura II**

MFG./YEAR	MODEL & LOCATION	PART NO.	MFG./YEAR	MODEL & LOCATION	PART NO.
<b>Wheel Front</b>			<b>Wheel Front (Cont.)</b>		
1980-1975	Astre & Sunbird:		1974-1971	Ventura II:	
	Seal	17187		Seal	17187
	Bearing (Inner)	BR6		Bearing (Inner)	BR6
	(Set Components)	LM67048/LM67010		(Set Components)	LM67048/LM67010
	Bearing (Outer)	BR1		Bearing (Outer)	BR2
	(Set Components)	LM11749/LM11710		(Set Components)	LM11949/LM11910
1979	Phoenix:		<b>Wheel Rear</b>		
	Seal	19984	1980-1971	All:	
	Bearing (Inner)	BR6		Seal	13992
	(Set Components)	LM67048/LM67010		Bearing	R1563-TAV
	Bearing (Outer)	BR3		(Axle Repair Brg. Assy.)	• R1563
	(Set Components)	M12649/M12610			(Continued)
1978-1975	Phoenix & Ventura II:		<b>Engine</b>		
	Seal	19984	<b>Crankshaft-Rear</b>		
	Bearing (Inner)	BR6	1991-1989	189 (3.1L) Eng.:	
	(Set Components)	LM67048/LM67010		Seal	29862
	Bearing (Outer)	BR2		(Speedi-Sleeve)	99298
	(Set Components)	LM11949/LM11910	1991-1980	151 (2.5L) Eng.:	
				Seal	29987



# Passenger cars, light & medium trucks

(Cont.) -- Pontiac (RWD) Astre, Phoenix (thru 1979), Sunbird (thru 1980), Ventura II

MFG./YEAR	MODEL & LOCATION	PART NO.	MFG./YEAR	MODEL & LOCATION	PART NO.
<b>Pinion</b>			<b>Clutch (Cont.)</b>		
1980-1975	Astre & Sunbird w/7.50" Ring Gear:		<b>Release (Cont.)</b>		
	Seal .....	15315	1979	Phoenix:	
	(Speedi-Sleeve) .....	99152		Bearing Assembly .....	N1488
	Bearing (Front) .....	M86649/M86610	1978	Phoenix w/3 Spd. Trans.:	
	Bearing (Rear) .....	HM88649/HM88610		Bearing Only .....	N1085
1979-1977	Phoenix & Ventura II w/8.50" Ring Gear:			Bearing Assembly .....	N1086-SA
	Seal .....	19273	1978-1976	Phoenix & Ventura II w/4 Spd. Trans.:	
	(Speedi-Sleeve) .....	99193		Bearing Assembly .....	N1488
	Bearing (Front) .....	BR52		(Self-Aligning) .....	N3068-SA
	(Set Components) .....	M88048/M88010	1977	Phoenix & Ventura II w/3 & 5 Spd. Trans.:	
	Bearing (Rear) .....	M802048/M802011		Bearing Assembly .....	N1741-SA
1979-1976	Phoenix & Ventura II w/7.50" Ring Gear:		1976	Ventura II w/3 Spd. Trans.:	
	Seal .....	15315		Bearing Only .....	N1085
	(Speedi-Sleeve) .....	99152		Bearing Assembly .....	N1086-SA
	Bearing (Front) .....	M86649/M86610	1975-1971	Ventura II:	
	Bearing (Rear) .....	HM89449/HM89410		Bearing Only .....	N1085
1977-1975	Astre & Sunbird w/6.50" Ring Gear:			Bearing Assembly .....	N1086-SA
	Seal .....	15315	<b>Transmission-Automatic</b>		
	(Speedi-Sleeve) .....	99152	<b>Front Pump</b>		
	Bearing (Front) .....	M86649/M86610	1980-1976	THM200 Trans.:	
	Bearing (Rear) .....	BR52		Seal .....	17458
	(Set Components) .....	M88048/M88010		(Speedi-Sleeve) .....	99174
1975-1972	Ventura II:		1980-1971	THM350 & THM375 Trans.:	
	Seal .....	19273		Seal .....	18692
	(Speedi-Sleeve) .....	99193		(Speedi-Sleeve) .....	99187
	Bearing (Front) .....	BR52		(Speedi-Sleeve/Seal Kit) .....	480187
	(Set Components) .....	M88048/M88010	<b>Rear</b>		
	Bearing (Rear) .....	M802048/M802011	1980-1971	All:	
1971	Ventura II:			Seal .....	15041
	Seal .....	15315		(Speedi-Sleeve) .....	99149
	(Speedi-Sleeve) .....	99152		(Speedi-Sleeve/Seal Kit) .....	480150
	Bearing (Front) .....	M86649/M86610	<b>Shift Shaft</b>		
	Bearing (Rear) .....	HM89449/HM89410	1980-1971	All:	
<b>Differential</b>				Seal .....	4912
1980-1975	Astre & Sunbird w/7.50" Ring Gear:			(Speedi-Sleeve) .....	99050
	Bearing .....	BR72		(Speedi-Sleeve/Seal Kit) .....	480050
	(Set Components) .....	LM501349/LM501314	<b>Transmission-Manual</b>		
1979-1971	Phoenix & Ventura II:		<b>Countershaft</b>		
	Bearing .....	BR72	1980-1971	Exc. Phoenix & Ventura II w/4 Spd. Trans.:	
	(Set Components) .....	LM501349/LM501314		Bearing .....	[50] C407-Q
1977-1975	Astre & Sunbird w/6.50" Ring Gear:		1979-1971	Phoenix & Ventura II w/4 Spd. Trans.:	
	Bearing .....	LM48548/LM48511		Bearing .....	[112] C407-Q
<b>Clutch</b>			<b>Front</b>		
<b>Pilot</b>			1979-1978	Sunbird w/4 Spd. Trans. w/o 151 & 231 A Engs.:	
1980-1976	Astre & Sunbird:			Seal .....	12363
	Bearing (Bushing) .....	B656		(Speedi-Sleeve) .....	99125
	(Heavy Duty) .....	B657	1979-1976	5 Spd. Trans.:	
1979-1977	Phoenix & Ventura II w/305 & 350L Engs.:			Seal .....	12329
	Bearing (Bushing) .....	B656		(Speedi-Sleeve) .....	99125
	(Heavy Duty) .....	B657	1979-1975	Phoenix & Ventura II w/4 Spd. Trans.:	
1979-1976	Phoenix & Ventura II w/4 & 6 Cyl. Engs.:			Seal .....	12363
	Bearing (Bushing) .....	B656		(Speedi-Sleeve) .....	99125
	(Heavy Duty) .....	B657	1979-1971	3 Spd. Trans.:	
1977-1976	Phoenix & Ventura II w/8 Cyl. Eng. w/o 305 & 350L Engs.:			Seal .....	12363
	Bearing .....	BR7109		(Speedi-Sleeve) .....	99125
<b>Release</b>				Bearing .....	6207-ZNRJ
1980-1975	Astre & Sunbird:				(Continued)
	Bearing Assembly .....	N1488			

**Pontiac (RWD) Astre, Phoenix (thru 1979), Sunbird (thru 1980), Ventura II -- (Cont.)**

MFG./YEAR	MODEL & LOCATION	PART NO.	MFG./YEAR	MODEL & LOCATION	PART NO.
<b>Transmission-Manual (Cont.)</b>			<b>Alternator</b>		
<b>Front (Cont.)</b>			1980-1972 All:		
1977-1975	Astre & Sunbird w/4 Spd. Trans.:		Bearing (Front)		6203-ZJ
Seal		12363	Bearing (Rear)		MNJ471-S
(Speedi-Sleeve)		99125	1971 Ventura II:		
Bearing		6207-ZNRJ	Bearing (Front)		6203-ZJ
1974-1972 Ventura II w/4 Spd. Saginaw Trans.:			Bearing (Rear)		6203-RSJ
Seal		12363	<b>Engine</b>		
(Speedi-Sleeve)		99125	<b>Camshaft</b>		
<b>Rear</b>			1977-1975 140 Eng.:		
1980-1975	Astre & Sunbird w/4 Spd. Trans. w/o 305 U Eng.:		Seal		17286
Seal		15041	(Speedi-Sleeve)		99176
(Speedi-Sleeve)		99149	(Speedi-Sleeve/Seal Kit)		480177
(Speedi-Sleeve/Seal Kit)		480150	<b>Crankshaft-Rear</b>		
1979-1978 Astre & Sunbird w/305 U Eng. & 4 Spd. Trans.:			1980-1979 151 (2.5L) Crossflow Eng.:		
Seal		15041	Seal		29987
(Speedi-Sleeve)		99149	1979-1977 151 (2.5L) Exc. Crossflow Eng.:		
(Speedi-Sleeve/Seal Kit)		480150	Seal Kit		199
1979-1977 Phoenix & Ventura II w/4 Spd. Muncie Trans.:			1979-1977 305 (5.0L) & 350 L (5.7L) Eng.:		
Seal		15041	Seal Kit		199
(Speedi-Sleeve)		99149	1979-1976 231 (3.8L) Eng.:		
(Speedi-Sleeve/Seal Kit)		480150	Seal Kit		191
1979-1976 5 Spd. Trans.:			1977 301 (4.9L) Eng.:		
Seal		15041	Seal Kit		185
(Speedi-Sleeve)		99149	1977-1976 350 R & X (5.7L) Eng.:		
(Speedi-Sleeve/Seal Kit)		480150	Seal Kit		191
1979-1971 3 Spd. Trans.:			1976-1975 260 Eng.:		
Seal		15041	Seal Kit		191
(Speedi-Sleeve)		99149	1976-1971 250 Eng.:		
(Speedi-Sleeve/Seal Kit)		480150	Seal Kit		199
1975-1974 Phoenix & Ventura II w/4 Spd. Warner Trans.:			1974-1972 350 Eng.:		
Seal		18658	Seal Kit		185
(Speedi-Sleeve)		99187	1972-1971 307 Eng.:		
Bearing		307-NRJ	Seal		199
1974-1972 Phoenix & Ventura II w/4 Spd. Saginaw Trans.:			<b>Timing Cover</b>		
Seal		15041	1980-1977 151 (2.5L) Eng.:		
(Speedi-Sleeve)		99149	Seal		17286
(Speedi-Sleeve/Seal Kit)		480150	(Speedi-Sleeve)		99176
1973-1971 Phoenix & Ventura II w/4 Spd. Muncie Trans.:			(Speedi-Sleeve/Seal Kit)		480177
Seal		18992	1979-1977 305 (5.0L) & 350 L (5.7L) Eng.:		
Seal & Bushing Kit		18998	Seal		17286
Bearing		6308-NJ	(Speedi-Sleeve)		99176
<b>Shift Shaft</b>			(Speedi-Sleeve/Seal Kit)		480177
1980-1971 3 Spd. Trans.:			1979-1976 231 (3.8L) Eng.:		
Seal		7410	Seal Kit		144
(Speedi-Sleeve)		99076	1977 301 (4.9L) Eng.:		
(Speedi-Sleeve/Seal Kit)		480074	Seal		18492
1975-1974 4 Spd. Warner Trans.:			(Speedi-Sleeve)		99186
Seal		6130	(Speedi-Sleeve/Seal Kit)		480184
(Speedi-Sleeve)		99062	1977 350 R (5.7L) Eng.:		
<b>Air Conditioning Clutch</b>			Seal		19887
1980-1971 All:			(Speedi-Sleeve)		99199
Bearing		5908-VAW	1977-1975 140 Eng.:		
<b>Air Conditioning Compressor</b>			Seal		14939
1980-1975 All:			(Speedi-Sleeve)		99149
Bearing		B128	1976-1975 260 Eng.:		
			Seal		19887
			(Speedi-Sleeve)		99199
			1976-1975 350 (5.7L) Eng.:		
			Seal Kit		144
			(Continued)		

## Passenger cars, light & medium trucks

(Cont.) -- Pontiac (RWD) Astre, Phoenix (thru 1979), Sunbird (thru 1980), Ventura II

MFG./YEAR	MODEL & LOCATION	PART NO.	MFG./YEAR	MODEL & LOCATION	PART NO.
<b>Engine (Cont.)</b>			<b>Steering-Power (Cont.)</b>		
<b>Timing Cover (Cont.)</b>			<b>Worm Shaft</b>		
1976-1971	250 Eng.:		1980-1979	800 Gear 2nd Design w/4 Bolt Side Cvr.:	
	Seal .....	17286		Seal .....	7905
	(Speedi-Sleeve) .....	99176	1979-1977	605 Gear w/Round Side Cvr.:	
	(Speedi-Sleeve/Seal Kit) .....	480177		Seal .....	8648
1974-1972	350 Eng.:		1979-1971	800 Gear 1st Design w/4 Bolt Side Cvr.:	
	Seal .....	18492		Seal .....	8660
	(Speedi-Sleeve) .....	99186	<b>Steering-Standard</b>		
	(Speedi-Sleeve/Seal Kit) .....	480184	<b>Pitman Shaft</b>		
1972-1971	307 Eng.:		1980-1976	Astre & Sunbird 2nd Design; Phoenix & Ventura II:	
	Seal .....	17286		Seal .....	11055
	(Speedi-Sleeve) .....	99176	<b>Worm Shaft</b>		
	(Speedi-Sleeve/Seal Kit) .....	480177	1980-1976	Astre & Sunbird 2nd Design; Phoenix & Ventura II:	
<b>Steering-Power</b>				Seal .....	7481
<b>Pitman Shaft</b>			1979-1976	Astre & Sunbird 1st Design:	
1980-1971	800 Gear w/4 Bolt Side Cvr.:			Seal .....	6130
	Seal (Inner) .....	12371			
	Seal (Outer) .....	12355			
	Seal Kit .....	12392			
1979-1977	605 Gear w/Round Side Cvr.:				
	Seal .....	11143			
<b>Pump Shaft</b>					
1980-1971	All:				
	Seal .....	7475			

**Pontiac (RWD) (Full Size), Bonneville (thru 1986), Catalina, Chieftan, Executive, Grand Prix (thru 1987), Grand Ville, Parisienne, Safari, Star Chief, Super Chief**

### Wheel Front

1989-1982	Exc. Bonneville & Grand Prix:	
	Seal .....	19984
	Bearing (Inner) .....	BR6
	(Set Components) .....	LM67048/LM67010
	Bearing (Outer) .....	BR3
	(Set Components) .....	M12649/M12610
1987-1982	Bonneville & Grand Prix:	
	Seal .....	19984
	Bearing (Inner) .....	BR6
	(Set Components) .....	LM67048/LM67010
	Bearing (Outer) .....	BR34
	(Set Components) .....	LM12748/LM12710
1981-1979	All:	
	Seal .....	19984
	Bearing (Inner) .....	BR6
	(Set Components) .....	LM67048/LM67010
	Bearing (Outer) .....	BR3
	(Set Components) .....	M12649/M12610
1978	11" Disc. Brks. Exc. Grand Prix:	
	Seal .....	19984
	Bearing (Inner) .....	BR6
	(Set Components) .....	LM67048/LM67010
	Bearing (Outer) .....	BR2
	(Set Components) .....	LM11949/LM11910
1978	12" Disc Brks. Exc. Grand Prix:	
	Seal .....	19984
	Bearing (Inner) .....	BR6
	(Set Components) .....	LM67048/LM67010
	Bearing (Outer) .....	BR3
	(Set Components) .....	M12649/M12610

### Wheel Front (Cont.)

1978-1973	Grand Prix:	
	Seal .....	19984
	Bearing (Inner) .....	BR6
	(Set Components) .....	LM67048/LM67010
	Bearing (Outer) .....	BR2
	(Set Components) .....	LM11949/LM11910
1977	Exc. Grand Prix:	
	Seal .....	19984
	Bearing (Inner) .....	BR6
	(Set Components) .....	LM67048/LM67010
	Bearing (Outer) .....	BR2
	(Set Components) .....	LM11949/LM11910
1976-1971	Exc. Grand Prix:	
	Seal .....	19984
	Bearing (Inner) .....	BR5
	(Set Components) .....	LM48548/LM48510
	Bearing (Outer) .....	BR3
	(Set Components) .....	M12649/M12610
1972-1968	Grand Prix:	
	Seal .....	17187
	Bearing (Inner) .....	BR6
	(Set Components) .....	LM67048/LM67010
	Bearing (Outer) .....	BR2
	(Set Components) .....	LM11949/LM11910

(Continued)

**Pontiac (RWD) (Full Size), Bonneville (thru 1986), Catalina, Chieftan, Executive, Grand Prix (thru 1987), Grand Ville, Parisienne, Safari, Star Chief, Super Chief -- (Cont.)**

MFG./YEAR	MODEL & LOCATION	PART NO.	MFG./YEAR	MODEL & LOCATION	PART NO.
<b>Wheel Front (Cont.)</b>			<b>Wheel Rear (Cont.)</b>		
1970-1969	Exc. Grand Prix:		1981-1977	P Axle w/8.875" Ring Gear & 9.5" X 2" Brks.:	
	Seal	19770		Seal	13992
	Bearing (Inner)	BR5		Bearing	R1563-TAV
	(Set Components)	LM48548/LM48510		(Axle Repair Brg. Assy.)	• R1563
	Bearing (Outer)	BR2	1981-1977	P Axle w/8.875" Ring Gear & 11" X 2" Brks.:	
	(Set Components)	LM11949/LM11910		Seal	16044
1968-1962	Exc. Grand Prix:			(Superseded by:)	16404
	Seal	18543		Bearing	R1559-TV
	Bearing (Inner)	BR6		(Axle Repair Brg. Assy.)	• R1559
	(Set Components)	LM67048/LM67010	1979-1977	B & O Axles w/8.50" Ring Gear:	
	Bearing (Outer)	BR2		Seal	16735
	(Set Components)	LM11949/LM11910		Bearing	BR9
1961	Police:		1976-1975	8.875" Ring Gear w/P Axle:	
	Seal	18543		Seal	16044
	Bearing (Inner)	BR6		(Superseded by:)	16404
	(Set Components)	LM67048/LM67010		Bearing	R1559-TV
	Bearing (Outer)	BR2		(Axle Repair Brg. Assy.)	• R1559
	(Set Components)	LM11949/LM11910	1976-1973	Grand Prix w/B & O Axles:	
1961-1958	Exc. Police:			Seal	16735
	Bearing (Inner)	B70		Bearing	BR9
	Bearing (Outer)	B67	1976-1973	Grand Prix w/C, G & K Axles:	
1957-1955	All:			Seal	13992
	Bearing (Outer)	B67		Bearing	R1563-TAV
1954-1940	All:			(Axle Repair Brg. Assy.)	• R1563
	Seal	18772	1976-1971	B & O Axles Exc. Grand Prix:	
	Bearing (Inner)	B52		Seal	18710
	Bearing (Outer)	B67		Bearing	BR10
<b>Wheel Rear</b>			1976-1971	C, G, K, M & P Axles Exc. Grand Prix:	
1989-1988	Safari Wgn.:			Seal	16044
	Seal	16044		(Superseded by:)	16404
	(Superseded by:)	16404		Bearing	R1559-TV
	Bearing	R1559-TV		(Axle Repair Brg. Assy.)	• R1559
	(Axle Repair Brg. Assy.)	• R1559	1972-1970	Grand Prix w/10 Bolt Cvr.:	
1987	Safari Wgn. w/o 3.23 Rr. Axle Ratio:			Seal	16747
	Seal	16044		Bearing	BR9
	(Superseded by:)	16404	1972-1970	Grand Prix w/12 Bolt Cvr.:	
	Bearing	R1559-TV		Seal	13992
	(Axle Repair Brg. Assy.)	• R1559		Bearing	R1563-TAV
1987	Safari Wgn. w/3.23 Rr. Axle Ratio:			(Axle Repair Brg. Assy.)	• R1563
	Seal	13992	1970-1969	Exc. Grand Prix:	
	Bearing	R1563-TAV		Seal	15376
	(Axle Repair Brg. Assy.)	• R1563		Sealed Bearing w/Lock Ring	RW508-BR
1987-1983	Exc. Safari Wgn.:		1969	Grand Prix:	
	Seal	13992		Seal	13492
	Bearing	R1563-TAV		Sealed Bearing w/Lock Ring	RW507-CR
	(Axle Repair Brg. Assy.)	• R1563	1968-1965	All:	
1986-1983	Safari Wgn.:			Seal	15376
	Seal	16044		Sealed Bearing w/Lock Ring	RW508-BR
	(Superseded by:)	16404	1964-1959	All:	
	Bearing	R1559-TV		Seal	15343
	(Axle Repair Brg. Assy.)	• R1559		Sealed Bearing w/Lock Ring	88128-R
1982-1977	7.50" Ring Gear:		1958-1956	All:	
	Seal	13992		Seal	20526
	Bearing	R1563-TAV	1955	All:	
	(Axle Repair Brg. Assy.)	• R1563		Seal	15039
1981-1977	C, G & K Axles w/8.50" Ring Gear:				(Continued)
	Seal	13992			
	Bearing	R1563-TAV			
	(Axle Repair Brg. Assy.)	• R1563			

## Passenger cars, light & medium trucks

(Cont.) -- Pontiac (RWD) (Full Size), Bonneville (thru 1986), Catalina, Chieftan, Executive, Grand Prix (thru 1987), Grand Ville, Parisienne, Safari, Star Chief, Super Chief

MFG./YEAR	MODEL & LOCATION	PART NO.	MFG./YEAR	MODEL & LOCATION	PART NO.
<b>Pinion</b>			<b>Pinion (Cont.)</b>		
1987-1980	7.50" Ring Gear w/3.125" O.D. Rr. Brg.:		1969-1966	All:	
	Seal .....	15315		Seal .....	19273
	(Speedi-Sleeve) .....	99152		(Speedi-Sleeve) .....	99193
	Bearing (Front) .....	M86649/M86610		Bearing (Front) .....	BR52
	Bearing (Rear) .....	HM89249/HM89210		(Set Components) .....	M88048/M88010
1987-1971	B, C, G, K & O Axles w/8.50" Ring Gear:			Bearing (Rear) .....	M804049/M804010
	Seal .....	19273	1965	All:	
	(Speedi-Sleeve) .....	99193		Seal .....	19310
	Bearing (Front) .....	BR52		(Speedi-Sleeve) .....	99193
	(Set Components) .....	M88048/M88010		Bearing (Front) .....	BR52
	Bearing (Rear) .....	M802048/M802011		(Set Components) .....	M88048/M88010
1981	P Axle w/8.875" Ring Gear:			Bearing (Rear) .....	M804049/M804010
	Seal .....	19273	1964-1963	All:	
	(Speedi-Sleeve) .....	99193		Seal .....	19310
	Bearing (Front) .....	M804049/M804010		(Speedi-Sleeve) .....	99193
	Bearing (Rear) .....	M802048/M802011		Bearing (Front) .....	HM88649/HM88610
1981-1977	7.50" Ring Gear w/3.0" O.D. Rr. Brg.:			Bearing (Rear) .....	M804049/M804010
	Seal .....	15315	1962-1957	All:	
	(Speedi-Sleeve) .....	99152		Seal .....	19438
	Bearing (Front) .....	M86649/M86610		(Speedi-Sleeve) .....	99193
	Bearing (Rear) .....	HM89449/HM89410		Bearing (Front) .....	HM89446/HM89410
1980-1977	P Axle w/8.875" Ring Gear:			Bearing (Rear) .....	HM804846/HM804810
	Seal .....	19273	1956-1947	All:	
	(Speedi-Sleeve) .....	99193		Bearing (Front) .....	BR31590/BR31520
	Bearing (Front) .....	BR52		Bearing (Rear) .....	BR3779/BR3720
	(Set Components) .....	M88048/M88010	<b>Differential</b>		
	Bearing (Rear) .....	M802048/M802011	1989-1971	B, C, G, K & O Axles w/8.50" Ring Gear:	
1976-1971	P Axle w/8.875" Ring Gear:			Bearing .....	BR72
	Seal .....	19273		(Set Components) .....	LM501349/LM501314
	(Speedi-Sleeve) .....	99193	1987-1977	7.50" Ring Gear:	
	Bearing (Front) .....	BR52		Bearing .....	BR72
	(Set Components) .....	M88048/M88010		(Set Components) .....	LM501349/LM501314
	Bearing (Rear) .....	M804049/M804010	1981-1971	P Axle w/8.875" Ring Gear:	
1975-1973	Grand Prix:			Bearing .....	BR36
	Seal .....	19273		(Set Components) .....	LM603049/LM603012
	(Speedi-Sleeve) .....	99193	1972-1970	Grand Prix w/10 Bolt Cvr.:	
	Bearing (Front) .....	BR52		Bearing .....	BR72
	(Set Components) .....	M88048/M88010		(Set Components) .....	LM501349/LM501314
	Bearing (Rear) .....	M804049/M804010	1972-1970	Grand Prix w/12 Bolt Cvr.:	
1972-1970	Grand Prix w/10 Bolt Cvr.:			Bearing .....	BR36
	Seal .....	19273		(Set Components) .....	LM603049/LM603012
	(Speedi-Sleeve) .....	99193	1970	Exc. Grand Prix:	
	Bearing (Front) .....	M86649/M86610		Bearing .....	BR36
	Bearing (Rear) .....	HM89449/HM89410		(Set Components) .....	LM603049/LM603012
1972-1970	Grand Prix w/12 Bolt Cvr.:		1969-1965	All:	
	Bearing (Front) .....	BR52		Bearing .....	BR36
	(Set Components) .....	M88048/M88010		(Set Components) .....	LM603049/LM603012
	Bearing (Rear) .....	M802048/M802011	1964-1947	All:	
1970	Exc. Grand Prix:			Bearing .....	BR25584/BR25520
	Seal .....	19273	<b>Kit</b>		
	(Speedi-Sleeve) .....	99193	1989-1982	7.50" Ring Gear:	
	Bearing (Front) .....	BR52		Standard Seal and Bearing Kit Rear .....	SDK320
	(Set Components) .....	M88048/M88010		Master Seal and Bearing Kit Rear .....	SDK320-MK
	Bearing (Rear) .....	M804049/M804010			(Continued)

**Pontiac (RWD) (Full Size), Bonneville (thru 1986), Catalina, Chieftan, Executive, Grand Prix (thru 1987), Grand Ville, Parisienne, Safari, Star Chief, Super Chief -- (Cont.)**

MFG./YEAR	MODEL & LOCATION	PART NO.	MFG./YEAR	MODEL & LOCATION	PART NO.
<b>Clutch</b>			<b>Transmission-Automatic (Cont.)</b>		
<b>Pilot</b>			<b>Front Pump (Cont.)</b>		
1979-1978	6 Cyl. Eng.:		1964-1958	Super-HydramaticTrans.:	
	Bearing (Bushing) .....	B656		Seal .....	24899
	(Heavy Duty) .....	B657		(Speedi-Sleeve) .....	99250
1979-1946	w/o 6 Cyl. Eng.:		1957-1956	Super-HydramaticTrans.:	
	Bearing .....	BR7109		Seal .....	23646
<b>Release</b>				(Speedi-Sleeve) .....	99238
1979	Grand Prix w/8 Cyl. Eng.:		1956-1948	Hydramatic Trans.:	
	Bearing Assembly .....	N1488		Seal .....	25950
1979-1978	Grand Prix w/6 Cyl. Eng.:		1953	PowerglideTrans.:	
	Bearing Only .....	N1085		Seal .....	18671
	Bearing Assembly .....	N1086-SA		(Speedi-Sleeve) .....	99187
1976	Grand Prix w/8 Cyl. Eng.:		<b>Rear</b>		
	Bearing Only .....	N1085	1989-1964	w/o THM400 Trans.:	
	Bearing Assembly .....	N1086-SA		Seal .....	15041
1973	All:			(Speedi-Sleeve) .....	99149
	Bearing Only .....	N1085		(Speedi-Sleeve/Seal Kit) .....	480150
	Bearing Assembly .....	N1086-SA	1977-1965	THM400 Trans. w/o PD & PF Trans.:	
1972-1971	350 Eng. w/2 Bbl. Carb.:			Seal .....	18992
	Bearing Only .....	N1085	1975-1972	THM400 PD & PF Trans.:	
	Bearing Assembly .....	N1086-SA		Seal .....	15041
1972-1969	4 Bbl. Carb.:			(Speedi-Sleeve) .....	99149
	Bearing Assembly .....	N1488		(Speedi-Sleeve/Seal Kit) .....	480150
1968-1963	w/o H.D. Clutch:		1964-1956	Hydramatic Trans.:	
	Bearing Only .....	N1085		Seal .....	16871
	Bearing Assembly .....	N1086-SA		(Speedi-Sleeve) .....	99168
1968-1963	H.D. Clutch:		1955-1948	Hydramatic Trans.:	
	Bearing Assembly .....	N1488		Seal .....	15041
1962-1957	All:			(Speedi-Sleeve) .....	99149
	Bearing Assembly .....	N1488		(Speedi-Sleeve/Seal Kit) .....	480150
1956-1946	All:		<b>Shift Shaft</b>		
	Bearing Assembly .....	N1741-SA	1989-1965	All:	
<b>Transmission-Automatic</b>				Seal .....	4912
<b>Front Pump</b>				(Speedi-Sleeve) .....	99050
1989-1987	THM200 Trans.:			(Speedi-Sleeve/Seal Kit) .....	480050
	Seal .....	17458	1964-1961	Roto-Hydramatic Trans.:	
	(Speedi-Sleeve) .....	99174		Seal .....	4911
1988-1983	THM700 Trans.:			(Speedi-Sleeve) .....	99050
	Seal Kit .....	17459	<b>Transmission-Manual</b>		
	(Speedi-Sleeve) .....	99174	<b>Countershaft</b>		
1986-1977	THM200 Trans.:		1973-1966	4 Spd. Trans.:	
	Seal .....	17458		Bearing .....	[112] C407-Q
	(Speedi-Sleeve) .....	99174	1973-1958	3 Spd. Trans. Exc. Dearborn Trans.:	
1984-1976	THM250, THM350 & THM375 Trans.:			Bearing .....	[50] C407-Q
	Seal .....	18692	<b>Front</b>		
	(Speedi-Sleeve) .....	99187	1979-1976	3 Spd. Trans.:	
	(Speedi-Sleeve/Seal Kit) .....	480187		Seal .....	12363
1979-1976	THM400 Trans.:			(Speedi-Sleeve) .....	99125
	Seal .....	18692		Bearing .....	6207-ZNRJ
	(Speedi-Sleeve) .....	99187	1973-1969	3 Spd. Muncie Trans.:	
	(Speedi-Sleeve/Seal Kit) .....	480187		Seal .....	12363
1975-1964	Powerglide & THM Trans.:			(Speedi-Sleeve) .....	99125
	Seal .....	18692		Bearing .....	6307-NRJ
	(Speedi-Sleeve) .....	99187	1973-1965	4 Spd. Trans.:	
	(Speedi-Sleeve/Seal Kit) .....	480187		Seal .....	12363
1964-1961	Roto-Hydramatic Trans.:			(Speedi-Sleeve) .....	99125
	Seal .....	11650		Bearing .....	307-VSP82
	(Speedi-Sleeve) .....	99122			(Continued)

## Passenger cars, light & medium trucks

(Cont.) -- Pontiac (RWD) (Full Size), Bonneville (thru 1986), Catalina, Chieftan, Executive, Grand Prix (thru 1987), Grand Ville, Parisienne, Safari, Star Chief, Super Chief

MFG./YEAR	MODEL & LOCATION	PART NO.	MFG./YEAR	MODEL & LOCATION	PART NO.
<b>Transmission-Manual (Cont.)</b>			<b>Transmission-Manual (Cont.)</b>		
<b>Front (Cont.)</b>			<b>Rear (Cont.)</b>		
1971-1965	3 Spd. H.D. Dearborn Trans.:		1964-1960	4 Spd. H.D. Trans.:	
	Seal .....	12363		Seal .....	16871
	(Speedi-Sleeve) .....	99125		(Speedi-Sleeve) .....	99168
	Bearing .....	■ 6208-NRJ		Bearing .....	6307-NRJ
1964	3 Spd. H.D. Trans. 2nd Design:		1964-1958	3 Spd. Std. Duty Trans.:	
	Seal .....	12363		Seal .....	15041
	(Speedi-Sleeve) .....	99125		(Speedi-Sleeve) .....	99149
	Bearing .....	■ 6208-NRJ		(Speedi-Sleeve/Seal Kit) .....	480150
1964-1963	3 Spd. H.D. Trans. 1st Design:		1964-1958	3 Spd. H.D. Trans. 1st Design:	
	Seal .....	12363		Seal .....	16871
	(Speedi-Sleeve) .....	99125		(Speedi-Sleeve) .....	99168
	Bearing .....	6307-NRJ		Bearing .....	6307-J
1964-1960	4 Spd. Trans.:		<b>Shift Shaft</b>		
	Seal .....	12363	1979-1973	3 Spd. Trans.:	
	(Speedi-Sleeve) .....	99125		Seal .....	7410
	Bearing .....	6307-NRJ		(Speedi-Sleeve) .....	99076
1964-1958	3 Spd. Std. Duty Trans.:			(Speedi-Sleeve/Seal Kit) .....	480074
	Seal .....	12363	1975-1974	4 Spd. Warner Trans.:	
	(Speedi-Sleeve) .....	99125		Seal .....	6130
<b>Mainshaft Pilot</b>				(Speedi-Sleeve) .....	99062
1971-1965	4 Spd. Trans.:		1975-1965	4 Spd. Muncie & Saginaw Trans.:	
	Bearing .....	JV44-1419		Seal .....	7410
1964-1958	3 Spd. Std. Duty Trans.:			(Speedi-Sleeve) .....	99076
	Bearing (Front) .....	[14] C1110-Q		(Speedi-Sleeve/Seal Kit) .....	480074
<b>Rear</b>			1963-1961	3 Spd. Trans.:	
1979-1976	3 Spd. Trans.:			Seal .....	5606
	Seal .....	15041		(Speedi-Sleeve) .....	99056
	(Speedi-Sleeve) .....	99149	<b>Air Conditioning Clutch</b>		
	(Speedi-Sleeve/Seal Kit) .....	480150	1989-1958	All:	
1973	3 Spd. Muncie Trans.:			Bearing .....	5908-VAW
	Seal .....	15041	<b>Air Conditioning Compressor</b>		
	(Speedi-Sleeve) .....	99149	1989-1975	All:	
	(Speedi-Sleeve/Seal Kit) .....	480150		Bearing .....	B128
	Bearing .....	6307-NRJ	<b>Alternator</b>		
1972-1969	3 Spd. Muncie Trans.:		1987-1983	All:	
	Seal .....	15041		Bearing (Front) .....	6203-2RSJ
	(Speedi-Sleeve) .....	99149		Bearing (Rear) .....	MNJ471-S
	(Speedi-Sleeve/Seal Kit) .....	480150	1982-1971	w/o 70 Amp.:	
	Bearing .....	■ 6307-NJ		Bearing (Front) .....	6203-ZJ
1971-1965	4 Spd. Trans.:			Bearing (Rear) .....	MNJ471-S
	Seal .....	15041	1970-1969	Integral Regulator:	
	(Speedi-Sleeve) .....	99149		Bearing (Front) .....	6203-ZJ
	(Speedi-Sleeve/Seal Kit) .....	480150		Bearing (Rear) .....	MNJ471-S
	Bearing .....	■ 6308-NJ	1970-1963	w/o Integral Regulator:	
1971-1964	3 Spd. Dearborn H.D. Trans. 2nd Design:			Bearing .....	[2] 6203-RSJ
	Seal (2.381" O.D.) .....	15041	1962-1958	All:	
	(Speedi-Sleeve) (2.381" O.D.) .....	99149		Bearing (Rear) .....	6203-RSJ
	(Speedi-Sleeve/Seal Kit) .....	480150	<b>Engine</b>		
	Seal (2.506" O.D.) .....	16871	<b>Crankshaft-Rear</b>		
	(Speedi-Sleeve) (2.506" O.D.) .....	99168	1988-1981	252 (4.1L) & 307 (5.0L) Engs.:	
	Bearing .....	■ 6207-NRJ		Seal Kit .....	191
1964-1960	4 Spd. Std. Duty Trans.:				(Continued)
	Seal .....	15041			
	(Speedi-Sleeve) .....	99149			
	(Speedi-Sleeve/Seal Kit) .....	480150			
	Bearing .....	6307-NRJ			

## Passenger cars, light & medium trucks

### Pontiac (RWD) (Full Size), Bonneville (thru 1986), Catalina, Chieftan, Executive, Grand Prix (thru 1987), Grand Ville, Parisienne, Safari, Star Chief, Super Chief -- (Cont.)

MFG./YEAR	MODEL & LOCATION	PART NO.	MFG./YEAR	MODEL & LOCATION	PART NO.
<b>Engine (Cont.)</b>			<b>Engine (Cont.)</b>		
<b>Crankshaft-Rear (Cont.)</b>			<b>Timing Cover (Cont.)</b>		
1987-1986	262 (4.3L), 305 (5.0L) & 350 L (5.7L) Engs.:		1977-1971	350 P (5.7L) Eng.:	
	Seal (Viton) .....	37026		Seal .....	18492
	(Speedi-Sleeve) (Viton) .....	99369		(Speedi-Sleeve) .....	99186
	Seal .....	37027		(Speedi-Sleeve/Seal Kit) .....	480184
	(Speedi-Sleeve) .....	99364	1976-1970	455 Eng.:	
1985-1977	350 R (5.7L) Gas & 350 N (5.7L) Diesel Engs.:			Seal .....	18492
	Seal Kit .....	191		(Speedi-Sleeve) .....	99186
1985-1977	229 (3.8L), 262 (4.3L), 267 (4.4L), 305 (5.0L) & 350 L (5.7L) Engs.:			(Speedi-Sleeve/Seal Kit) .....	480184
	Seal Kit .....	199	1969-1963	389, 421 & 428 Engs.:	
1981-1977	265 (4.3L) & 301 (4.9L) Engs.:			Seal .....	18492
	Seal Kit .....	185		(Speedi-Sleeve) .....	99186
1980-1978	350 X (5.7L) Eng.:			(Speedi-Sleeve/Seal Kit) .....	480184
	Seal Kit .....	191	<b>Steering-Power</b>		
1979-1977	403 (6.6L) Eng.:		<b>Pitman Shaft</b>		
	Seal Kit .....	191	1989-1976	800 Gear w/4 Bolt Side Cvr.:	
1978-1976	400 (6.6L) Eng.:			Seal (Inner) .....	12371
	Seal Kit .....	185		Seal (Outer) .....	12355
1977-1971	350 P (5.7L) Eng.:			Seal Kit .....	12392
	Seal Kit .....	185	1981-1978	605 Gear w/Round Side Cvr.:	
1976-1963	421, 428 & 455 Engs.:			Seal .....	11143
	Seal Kit .....	191	1975-1956	All:	
1966-1959	389 Eng.:			Seal (Inner) .....	12371
	Seal .....	185		Seal (Outer) .....	12355
				Seal Kit .....	12392
			1955-1953	All:	
				Seal .....	11055
<b>Timing Cover</b>			<b>Pump Shaft</b>		
1989-1986	307 (5.0L) Eng.:		1989-1967	All:	
	Seal Kit.....	19887		Seal .....	7475
	(Speedi-Sleeve) .....	99199	1966-1964	All:	
1987-1983	229 (3.8L), 262 (4.3L) & 350 L (5.7L) Engs.:			Seal .....	6765
	Seal .....	17286	1963-1958	Exc. Air Ride:	
	(Speedi-Sleeve) .....	99176		Seal .....	7475
	(Speedi-Sleeve/Seal Kit) .....	480177	1957-1956	All:	
1986-1977	231 (3.8L) & 252 (4.1L) Engs.:			Seal .....	9663
	Seal Kit .....	144	1955-1954	All:	
1985-1980	350 N (5.7L) Diesel Engs.:			Seal .....	9664
	Seal .....	19887	<b>Worm Shaft</b>		
	(Speedi-Sleeve) .....	99199	1989-1979	800 Gear 2nd Design w/4 Bolt Side Cvr.:	
1985-1977	267 (4.4L) & 305 (5.0L) Engs.:			Seal .....	7905
	Seal .....	17286	1981-1978	605 Gear w/Round Side Cvr.:	
	(Speedi-Sleeve) .....	99176		Seal .....	8648
	(Speedi-Sleeve/Seal Kit) .....	480177	1981-1976	800 Gear 1st Design w/4 Bolt Side Cvr.:	
1981	307 (5.0L) Eng.:			Seal .....	8660
	Seal .....	19887	1975-1959	All:	
	(Speedi-Sleeve) .....	99199		Seal .....	8660
1981-1977	265 (4.3L) & 301 (4.9L) Engs.:		<b>Steering-Standard</b>		
	Seal .....	18492	<b>Pitman Shaft</b>		
	(Speedi-Sleeve) .....	99186	1979-1956	All:	
	(Speedi-Sleeve/Seal Kit) .....	480184		Seal .....	11055
1980-1978	350 X (5.7L) Eng.:		1955-1946	All:	
	Seal Kit .....	144		Seal .....	11067
1979-1977	403 (6.6L) Eng.:		<b>Worm Shaft</b>		
	Seal .....	19887	1979-1961	All:	
	(Speed i-Sleeve) .....	99199		Seal .....	7481
1978-1967	400 (6.6L) Eng.:				
	Seal .....	18492			
	(Speedi-Sleeve) .....	99186			
	(Speedi-Sleeve/Seal Kit) .....	480184			



# Passenger cars, light & medium trucks

## Pontiac (RWD) Esprit, Firebird, Formula 350, Formula 400, Grand Am (1980-73), GTO, Judge, Le Mans (thru 1981), Sprint, T-37, Tempest, Trans Am

MFG./YEAR	MODEL & LOCATION	PART NO.	MFG./YEAR	MODEL & LOCATION	PART NO.
<b>Wheel Front</b>			<b>Wheel Front (Cont.)</b>		
1995-1993	Firebird:		1967-1964	w/o Disc Brks.:	
	Hub Assembly	BR930186	Seal		17815
1992-1988	w/o (1LE) Performance Pkg. & '89 (Y82) AnniversaryPkg.:		Bearing (Inner)		BR6
	Seal	19984	(Set Components)		LM67048/LM67010
	Bearing (Inner)	BR6	Bearing (Outer)		BR2
	(Set Components)	LM67048/LM67010	(Set Components)		LM11949/LM11910
	Bearing (Outer)	BR34	1963-1961 All:		
	(Set Components)	LM12748/LM12710	Seal		18408
1992-1988	(1LE) Performance Pkg. & '89 (Y82) AnniversaryPkg.:		Bearing (Inner)		BR6
	Seal	19984	(Set Components)		LM67048/LM67010
	Bearing (Inner)	BR6	Bearing (Outer)		BR2
	(Set Components)	LM67048/LM67010	(Set Components)		LM11949/LM11910
	Bearing (Outer)	BR3	1995-1993 All:		
	(Set Components)	M12649/M12610	Seal		13992
1987-1982 All:			Bearing		R1563-TAV
	Seal	19984	(Axle Repair Brg. Assy.)		• R1563
	Bearing (Inner)	BR6	1992-1982 w/o 7.75" Ring Gear:		
	(Set Components)	LM67048/LM67010	Seal		13992
	Bearing (Outer)	BR34	Bearing		R1563-TAV
	(Set Components)	LM12748/LM12710	(Axle Repair Brg. Assy.)		• R1563
1981-1979 All:			1991-1985 Cast Iron Drums & 7.75" Ring Gear:		
	Seal	19984	Seal (L.H.)		16491
	Bearing (Inner)	BR6	Seal (R.H.)		16542
	(Set Components)	LM67048/LM67010	Bearing		BR9
	Bearing (Outer)	BR3	1981-1978 7.50" Ring Gear:		
	(Set Components)	M12649/M12610	Seal		13992
1978-1973 All:			Bearing		R1563-TAV
	Seal	19984	(Axle Repair Brg. Assy.)		• R1563
	Bearing (Inner)	BR6	1981-1976 C, G & K Axles w/8.50" Ring Gear:		
	(Set Components)	LM67048/LM67010	Seal		13992
	Bearing (Outer)	BR2	Bearing		R1563-TAV
	(Set Components)	LM11949/LM11910	(Axle Repair Brg. Assy.)		• R1563
1972-1970 Exc. Firebird:			1977-1976 B & O Axles w/8.50" Ring Gear:		
	Seal	17187	Seal		16735
	Bearing (Inner)	BR6	Bearing		BR9
	(Set Components)	LM67048/LM67010	1977-1976 8.875" Ring Gear:		
	Bearing (Outer)	BR2	Seal		↯16044
	(Set Components)	LM11949/LM11910	(Superseded by:)		16404
1972-1970 Firebird:			Bearing		R1559-TV
	Seal	19984	(Axle Repair Brg. Assy.)		• R1559
	Bearing (Inner)	BR6	1975-1973 B & O Axle Exc. Firebird & Wgn.:		
	(Set Components)	LM67048/LM67010	Seal		16735
	Bearing (Outer)	BR2	Bearing		BR9
	(Set Components)	LM11949/LM11910	1975-1973 C & K Axle Exc. Firebird & Wgn.:		
1969-1968 w/o Disc Brks.:			Seal		13992
	Seal	17187	Bearing		R1563-TAV
	Bearing (Inner)	BR6	(Axle Repair Brg. Assy.)		• R1563
	(Set Components)	LM67048/LM67010	1975-1973 Firebird:		
	Bearing (Outer)	BR2	Seal		13992
	(Set Components)	LM11949/LM11910	Bearing		R1563-TAV
1969-1967 Disc Brks.:			(Axle Repair Brg. Assy.)		• R1563
	Seal	17187	1975-1973 Wgn.:		
	Bearing (Inner)	BR6	Seal		↯16044
	(Set Components)	LM67048/LM67010	(Superseded by:)		16404
	Bearing (Outer)	BR2	Bearing		R1559-TV
	(Set Components)	LM11949/LM11910	(Axle Repair Brg. Assy.)		• R1559
			1972-1970 10 Bolt Cvr.:		
			Seal		16747
			Bearing		BR9
					(Continued)

## Passenger cars, light & medium trucks

### Pontiac (RWD) Esprit, Firebird, Formula 350, Formula 400, Grand Am (1980-73), GTO, Judge, Le Mans (thru 1981), Sprint, T-37, Tempest, Trans Am -- (Cont.)

MFG./YEAR	MODEL & LOCATION	PART NO.	MFG./YEAR	MODEL & LOCATION	PART NO.
<b>Wheel Rear (Cont.)</b>			<b>Pinion (Cont.)</b>		
1972-1970	12 Bolt Cvr.:		1975-1973	Exc. Wgn.:	
	Seal .....	13992		Seal .....	19273
	Bearing .....	R1563-TAV		(Speedi-Sleeve) .....	99193
	(Axle Repair Brg. Assy.) .....	• R1563		Bearing (Front) .....	BR52
1970	1st Design:			(Set Components) .....	M88048/M88010
	Seal .....	13492		Bearing (Rear) .....	M802048/M802011
	Sealed Bearing w/Lock Ring .....	RW507-CR	1975-1973	Wgn.:	
1969-1964	All:			Seal .....	19273
	Seal .....	13492		(Speedi-Sleeve) .....	99193
	Sealed Bearing w/Lock Ring .....	RW507-CR		Bearing (Front) .....	BR52
<b>Axle Shaft</b>				(Set Components) .....	M88048/M88010
1995-1993	All:			Bearing (Rear) .....	M804049/M804010
	Seal .....	13992	1972-1971	Firebird:	
<b>Pinion</b>				Seal .....	19273
1995-1992	1st Design Axle:			(Speedi-Sleeve) .....	99193
	Seal .....	15315		Bearing (Front) .....	BR52
	(Speedi-Sleeve) .....	99152		(Set Components) .....	M88048/M88010
	Bearing (Front) .....	M86649/M86610		Bearing (Rear) .....	M802048/M802011
	Bearing (Rear) .....	HM89249/HM89210	1972-1970	10 Bolt Cvr. Exc. Firebird:	
1991-1985	w/o 7.75" Ring Gear:			Seal .....	19273
	Seal .....	15315		(Speedi-Sleeve) .....	99193
	(Speedi-Sleeve) .....	99152		Bearing (Front) .....	M86649/M86610
	Bearing (Front) .....	M86649/M86610		Bearing (Rear) .....	HM89449/HM89410
	Bearing (Rear) .....	HM89249/HM89210	1972-1970	12 Bolt Cvr. Exc. Firebird:	
1991-1985	7.75" Ring Gear:			Bearing (Front) .....	BR52
	Seal .....	16545		(Set Components) .....	M88048/M88010
	(Speedi-Sleeve) .....	99165		Bearing (Rear) .....	M802048/M802011
	Bearing (Front) .....	M86649/M86610	1970	Firebird w/10 Bolt Cvr.:	
	Bearing (Rear) .....	HM89446/HM89410		Seal .....	19273
1984-1978	7.50" Ring Gear w/3.125" O.D. Rr. Brg.:			(Speedi-Sleeve) .....	99193
	Seal .....	15315		Bearing (Front) .....	M86649/M86610
	(Speedi-Sleeve) .....	99152		Bearing (Rear) .....	HM89449/HM89410
	Bearing (Front) .....	M86649/M86610	1970	Firebird w/12 Bolt Cvr.:	
	Bearing (Rear) .....	HM89249/HM89210		Seal .....	17190
1981-1978	7.50" Ring Gear w/3.0" O.D. Rr. Brg.:			(Speedi-Sleeve) .....	99170
	Seal .....	15315		Bearing (Front) .....	BR52
	(Speedi-Sleeve) .....	99152		(Set Components) .....	M88048/M88010
	Bearing (Front) .....	M86649/M86610		Bearing (Rear) .....	M802048/M802011
	Bearing (Rear) .....	HM89449/HM89410	1969-1966	All:	
1981-1976	8.50" Ring Gear:			Seal .....	19273
	Seal .....	19273		(Speedi-Sleeve) .....	99193
	(Speedi-Sleeve) .....	99193		Bearing (Front) .....	M86649/M86610
	Bearing (Front) .....	BR52		Bearing (Rear) .....	HM89449/HM89410
	(Set Components) .....	M88048/M88010	1965-1964	All:	
	Bearing (Rear) .....	M802048/M802011		Seal (1.645" Shaft) .....	16500
1977	8.875" Ring Gear:			Seal (1.938" Shaft) .....	19273
	Seal .....	19273		(Speedi-Sleeve) (1.938" Shaft) .....	99193
	(Speedi-Sleeve) .....	99193		Bearing (Front) .....	M86649/M86610
	Bearing (Front) .....	BR52		Bearing (Rear) .....	HM89449/HM89410
	(Set Components) .....	M88048/M88010	1963	Auto. Trans.:	
	Bearing (Rear) .....	M802048/M802011		Seal .....	14045
1976	8.875" Ring Gear:			(Speedi-Sleeve) .....	99146
	Seal .....	19273		Bearing (Front) .....	BR52
	(Speedi-Sleeve) .....	99193		(Set Components) .....	M88048/M88010
	Bearing (Front) .....	BR52		Bearing (Rear) .....	LM806349-C/LM806310
	(Set Components) .....	M88048/M88010	1963	Man. Trans.:	
	Bearing (Rear) .....	M804049/M804010		Seal .....	12905
				Bearing (Front) .....	BR52
				(Set Components) .....	M88048/M88010
				Bearing (Rear) .....	LM806349-C/LM806310

(Continued)

## Passenger cars, light & medium trucks

(Cont.) -- Pontiac (RWD) Esprit, Firebird, Formula 350, Formula 400, Grand Am (1980-73), GTO, Judge, Le Mans (thru 1981), Sprint, T-37, Tempest, Trans Am

MFG./YEAR	MODEL & LOCATION	PART NO.	MFG./YEAR	MODEL & LOCATION	PART NO.
<b>Pinion (Cont.)</b>			<b>Clutch (Cont.)</b>		
1962-1961 All:			<b>Pilot (Cont.)</b>		
	Seal .....	12905	1977-1968	250 Eng.:	
	Bearing (Front) .....	BR52		Bearing (Bushing) .....	B656
	(Set Components) .....	M88048/M88010		(Heavy Duty) .....	B657
	Bearing (Rear) .....	LM806649/LM806610	1973-1961	w/o L6 & 307 (5.0L) Eng.:	
<b>Differential</b>				Bearing .....	BR7109
1995-1985	7.625" Ring Gear:		<b>Release</b>		
	Bearing .....	BR72	1995-1993	207 (3.4L) Eng.:	
	(Set Components) .....	LM501349/LM501314		Bearing Assembly .....	N4068
1991-1985	7.75" Ring Gear:			(Self-Aligning) .....	N3068-SA
	Bearing .....	LM102949/LM102911	1992-1984	Firebird:	
1984-1976	7.50" & 8.50" Ring Gears:			Bearing Assembly .....	N4068
	Bearing .....	BR72		(Self-Aligning) .....	N3068-SA
	(Set Components) .....	LM501349/LM501314	1983-1980	All:	
1977-1976	8.875" Ring Gear:			Bearing Assembly .....	N1488
	Bearing .....	BR36	1979	6 Cyl. Eng. Exc. Firebird:	
	(Set Components) .....	LM603049/LM603012		Bearing Only .....	N1085
1975-1973	w/o Wgn.:			Bearing Assembly .....	N1086-SA
	Bearing .....	BR72	1979	Firebird w/6 Cyl. Eng.:	
	(Set Components) .....	LM501349/LM501314		Bearing Assembly .....	N1488
1975-1973	Wgn.:		1979	8 Cyl. Eng. Exc. Firebird:	
	Bearing .....	BR36		Bearing Assembly .....	N1488
	(Set Components) .....	LM603049/LM603012	1979-1978	Firebird w/8 Cyl. Eng. Exc. 305:	
1972-1970	12 Bolt Cvr.:			Bearing Assembly .....	N1488
	Bearing .....	BR36	1979-1978	Firebird w/305 Eng.:	
	(Set Components) .....	LM603049/LM603012		Bearing Only .....	N1085
1972-1964	10 Bolt Cvr.:			Bearing Assembly .....	N1086-SA
	Bearing .....	BR72	1978	Exc. Firebird:	
	(Set Components) .....	LM501349/LM501314		Bearing Only .....	N1085
1963-1961	All:			Bearing Assembly .....	N1086-SA
	Bearing .....	BR37	1978-1976	Firebird w/6 Cyl. Eng. & 3 Spd. Trans. Exc. '77	
	(Set Components) .....	LM603049/LM603011		231 Eng.:	
<b>Kit</b>				Bearing Only .....	N1085
1995-1982	7.50" Ring Gear:			Bearing Assembly .....	N1086-SA
	Standard Seal and Bearing Kit Rear .....	SDK320	1978-1976	Firebird w/6 Cyl. Eng. & 4 Spd. Trans. Exc. '77	
	Master Seal and Bearing Kit Rear .....	SDK320-MK		231 Eng.:	
1980-1978	7.50" Ring Gear:			Bearing Assembly .....	N1488
	Standard Seal and Bearing Kit Rear .....	SDK320	1977	Exc. Firebird:	
	Master Seal and Bearing Kit Rear .....	SDK320-MK		Bearing Assembly .....	N1741-SA
<b>Clutch</b>			1977	Firebird w/231 Eng.:	
<b>Pilot</b>				Bearing Assembly .....	N1741-SA
1995-1981	8 Cyl. Eng.:		1977	Firebird w/8 Cyl. Eng. & 3 Spd. Trans.:	
	Bearing (Bushing) .....	B656		Bearing Assembly .....	N1741-SA
	(Heavy Duty) .....	B657	1977-1976	Firebird w/8 Cyl. Eng. & 4 Spd. Trans.:	
1995-1982	6 Cyl. Eng.:			Bearing Assembly .....	N1488
	Bearing (Bushing) .....	B652	1976	Exc. Firebird:	
	(Heavy Duty) .....	B652HD		Bearing Only .....	N1085
1986-1982	151 2 (2.5L) Eng.:			Bearing Assembly .....	N1086-SA
	Bearing .....	B661	1976	Firebird w/8 Cyl. Eng. & 3 Spd. Trans.:	
1984-1982	151 F (2.5L) Eng.:			Bearing Only .....	N1085
	Bearing (Bushing) .....	B656		Bearing Assembly .....	N1086-SA
	(Heavy Duty) .....	B657	1975	3 Spd. Trans.:	
1980-1976	8 Cyl. Eng. Exc. 305 (5.0L) & 350 L & W (5.7L) Eng.:			Bearing Only .....	N1085
	Bearing .....	BR7109		Bearing Assembly .....	N1086-SA
1980-1976	305 (5.0L) & 350 L & W (5.7L) Eng.:		1975	4 Spd. Trans.:	
	Bearing (Bushing) .....	B656		Bearing Assembly .....	N1488
	(Heavy Duty) .....	B657	1975-1966	6 Cyl. Eng. w/1 Bbl. Carb.:	
				Bearing Only .....	N1085
				Bearing Assembly .....	N1086-SA

(Continued)

## Passenger cars, light & medium trucks

### Pontiac (RWD) Esprit, Firebird, Formula 350, Formula 400, Grand Am (1980-73), GTO, Judge, Le Mans (thru 1981), Sprint, T-37, Tempest, Trans Am -- (Cont.)

MFG./YEAR	MODEL & LOCATION	PART NO.	MFG./YEAR	MODEL & LOCATION	PART NO.
<b>Clutch (Cont.)</b>			<b>Transmission-Automatic (Cont.)</b>		
<b>Release (Cont.)</b>			<b>Shift Shaft</b>		
1974-1968	5.7L Eng. w/2 Bbl. Carb.:		1995-1976	w/o THM400 Trans.:	
	Bearing Only	N1085		Seal	4912
	Bearing Assembly	N1086-SA		(Speedi-Sleeve)	99050
1974-1968	4 Bbl. Carb.:			(Speedi-Sleeve/Seal Kit)	480050
	Bearing Assembly	N1488	<b>Transmission-Manual</b>		
1968-1966	6 Cyl. Eng. w/4 Bbl. Carb.:		<b>Countershaft</b>		
	Bearing Assembly	N1488	1995-1993	6 Spd. Trans.:	
1968-1964	H.D. Clutch:			Bearing (Front)	BR5
	Bearing Assembly	N1488		(Set Components)	LM48548/LM48510
1967	Firebird w/326 Eng.:			Bearing (Rear)	32008-X
	Bearing Only	N1085	1995-1988	5 Spd. Trans.:	
	Bearing Assembly	N1086-SA		Bearing (Front)	BR25877/BR25821
1967	Firebird w/400 Eng.:			Bearing (Rear)	BR6
	Bearing Assembly	N1488		(Set Components)	LM67048/LM67010
1967-1966	8 Cyl. Eng. w/H.D. Clutch:		1987-1983	Firebird w/5 Spd. Trans.:	
	Bearing Only	N1085		Bearing (Front)	DK55836
	Bearing Assembly	N1086-SA		Bearing (Rear)	R1563-TAV
1965-1963	w/o H.D. Clutch:		1984-1983	Firebird w/4 Spd. Warner Trans.:	
	Bearing Only	N1085		Bearing (Front)	DK55836
	Bearing Assembly	N1086-SA		Bearing (Rear)	R1563-TAV
1963	4 Cyl. Eng. w/H.D. Clutch:		1982-1966	4 Spd. Trans.:	
	Bearing Assembly	N1086-SA		Bearing	[112] C407-Q
1963	8 Cyl. Eng. w/H.D. Clutch:		1981-1961	3 Spd. Trans.:	
	Bearing	N1488		Bearing	[112] C407-Q
1962-1961	All:		<b>Front</b>		
	Bearing	N1086-SA	1995-1993	Firebird w/6 Spd. Trans.:	
<b>Transmission-Automatic</b>				Seal	12363
<b>Front Pump</b>				(Speedi-Sleeve)	99125
1995-1982	4L60E & THM700 Trans.:			Bearing	BR52
	Seal Kit	17459		(Set Components)	M88048/M88010
	(Speedi-Sleeve)	99174	1995-1982	5 Spd. Trans.:	
1983-1978	THM200 Trans.:			Seal	12363
	Seal	17458		(Speedi-Sleeve)	99125
	(Speedi-Sleeve)	99174		Bearing	BR5
1981-1976	THM250, THM350 & THM375 Trans.:			(Set Components)	LM48548/LM48510
	Seal	18692	1984-1976	4 Spd. Warner Trans.:	
	(Speedi-Sleeve)	99187		Seal	12363
	(Speedi-Sleeve/Seal Kit)	480187		(Speedi-Sleeve)	99125
1977-1976	THM400 Trans.:			Bearing	307-NRJ
	Seal	18692	1982	4 Spd. Saginaw Trans.:	
	(Speedi-Sleeve)	99187		Bearing	6207-ZNRJ
	(Speedi-Sleeve/Seal Kit)	480187	1982-1977	4 Spd. Muncie Trans.:	
1975-1964	w/o Powerglide Trans.:			Seal	12363
	Seal	18692		(Speedi-Sleeve)	99125
	(Speedi-Sleeve)	99187		Bearing	6207-ZNRJ
	(Speedi-Sleeve/Seal Kit)	480187	1981-1971	3 Spd. Saginaw Trans.:	
1964	Powerglide Trans.:			Seal	12363
	Seal	18692		(Speedi-Sleeve)	99125
	(Speedi-Sleeve)	99187		Bearing	6207-ZNRJ
	(Speedi-Sleeve/Seal Kit)	480187	1979-1978	4 Spd. Muncie Trans. Exc. 196 & 231 A Eng.:	
<b>Rear</b>				Seal	12363
1995-1964	w/o THM440 & 4T60E Transaxles:			(Speedi-Sleeve)	99125
	Seal	15041	1979-1976	4 Spd. Muncie & Warner Trans. Exc. 305 G & U Eng.:	
	(Speedi-Sleeve)	99149		Seal	12363
	(Speedi-Sleeve/Seal Kit)	480150		(Speedi-Sleeve)	99125
1977-1965	THM400 Trans.:			Bearing	6207-ZNRJ
	Seal	18992			(Continued)

# Passenger cars, light & medium trucks

(Cont.) -- Pontiac (RWD) Esprit, Firebird, Formula 350, Formula 400, Grand Am (1980-73), GTO, Judge, Le Mans (thru 1981), Sprint, T-37, Tempest, Trans Am

MFG./YEAR	MODEL & LOCATION	PART NO.	MFG./YEAR	MODEL & LOCATION	PART NO.
<b>Transmission-Manual (Cont.)</b>			<b>Transmission-Manual (Cont.)</b>		
<b>Front (Cont.)</b>			<b>Rear (Cont.)</b>		
1976	5 Spd. Trans.:		1984-1982	4 Spd. (M08) Warner Trans.:	
	Seal .....	12329		Seal .....	15041
	(Speedi-Sleeve) .....	99125		(Speedi-Sleeve) .....	99149
1975	4 Spd. Warner Trans.:			(Speedi-Sleeve/Seal Kit) .....	480150
	Seal .....	12363		Bearing .....	BR25877/BR25821
	(Speedi-Sleeve) .....	99125	1982	4 Spd. (M24) Warner Trans.:	
	Bearing .....	307-ZNRJ		Seal .....	15041
1974-1972	4 Spd. Saginaw Trans.:			(Speedi-Sleeve) .....	99149
	Seal .....	12363		(Speedi-Sleeve/Seal Kit) .....	480150
	(Speedi-Sleeve) .....	99125		Bearing .....	307-ZNRJ
1974-1970	3 Spd. Muncie Trans.:		1982-1979	4 Spd. Saginaw Trans.:	
	Seal .....	12363		Seal .....	15041
	(Speedi-Sleeve) .....	99125		(Speedi-Sleeve) .....	99149
	Bearing .....	6307-NRJ		(Speedi-Sleeve/Seal Kit) .....	480150
1974-1964	4 Spd. Muncie Trans.:		1981-1976	3 Spd. (M15) Trans.:	
	Seal .....	12363		Seal .....	15041
	(Speedi-Sleeve) .....	99125		(Speedi-Sleeve) .....	99149
	Bearing .....	307-VSP82		(Speedi-Sleeve/Seal Kit) .....	480150
1970-1967	3 Spd. Trans. w/8 Cyl. Eng.:		1981-1976	4 Spd. Warner Trans.:	
	Seal .....	12363		Seal .....	18658
	(Speedi-Sleeve) .....	99125		(Speedi-Sleeve) .....	99187
1969-1966	4 Spd. Saginaw Trans.:			Bearing .....	307-NRJ
	Seal .....	12363	1976	5 Spd. Trans.:	
	(Speedi-Sleeve) .....	99125		Seal .....	15041
	Bearing .....	6207-ZNRJ		(Speedi-Sleeve) .....	99149
1969-1965	3 Spd. H.D. Dearborn Trans.:			(Speedi-Sleeve/Seal Kit) .....	480150
	Seal .....	12363	1975-1974	4 Spd. Warner Trans.:	
	(Speedi-Sleeve) .....	99125		Seal .....	18658
	Bearing .....	■ 6208-NRJ		(Speedi-Sleeve) .....	99187
1968	3 Spd. Trans. w/6 Cyl. Eng.:			Bearing .....	307-NRJ
	Seal .....	12363	1974-1972	4 Spd. Saginaw Trans.:	
	(Speedi-Sleeve) .....	99125		Seal .....	15041
	Bearing .....	6207-ZNRJ		(Speedi-Sleeve) .....	99149
1967-1961	3 Spd. Trans.:			(Speedi-Sleeve/Seal Kit) .....	480150
	Seal .....	12363	1974-1971	3 Spd. Saginaw Trans.:	
	(Speedi-Sleeve) .....	99125		Seal .....	15041
				(Speedi-Sleeve) .....	99149
				(Speedi-Sleeve/Seal Kit) .....	480150
			1974-1971	4 Spd. Muncie Trans.:	
				Seal .....	18992
				Seal & Bushing Kit .....	18998
				Bearing .....	■ 6308-NJ
			1974-1970	3 Spd. Muncie Trans.:	
				Seal .....	15041
				(Speedi-Sleeve) .....	99149
				(Speedi-Sleeve/Seal Kit) .....	480150
				Bearing .....	6307-NRJ
			1970-1966	4 Spd. Saginaw Trans.:	
				Seal .....	15041
				(Speedi-Sleeve) .....	99149
				(Speedi-Sleeve/Seal Kit) .....	480150
			1970-1964	3 Spd. Trans. w/8 Cyl. Eng.:	
				Seal .....	15041
				(Speedi-Sleeve) .....	99149
				(Speedi-Sleeve/Seal Kit) .....	480150
			1970-1964	4 Spd. Muncie Trans.:	
				Seal .....	15041
				(Speedi-Sleeve) .....	99149
				(Speedi-Sleeve/Seal Kit) .....	480150
					(Continued)

## Mainshaft Pilot

1995-1983	5 Spd. Trans.:	
	Bearing .....	QBR23549
1984-1983	Firebird w/4 Spd. Warner Trans.:	
	Bearing .....	QBR23549
1974-1964	4 Spd. Muncie Trans.:	
	Bearing .....	JV44-1419
1965-1963	3 Spd. Trans.:	
	Bearing (Front) .....	[14] C1110-Q

## Rear

1995-1993	6 Spd. Trans.:	
	Seal (Double Lip) .....	14635
	Seal (Triple Lip) .....	14569
	Bearing .....	BR16
	(Set Components) .....	LM12749/LM12711
1995-1983	Firebird w/5 Spd. Trans.:	
	Seal .....	15041
	(Speedi-Sleeve) .....	99149
	(Speedi-Sleeve/Seal Kit) .....	480150
	Seal Kit .....	15054
	Bearing .....	BR25877/BR25821

## Passenger cars, light & medium trucks

### Pontiac (RWD) Esprit, Firebird, Formula 350, Formula 400, Grand Am (1980-73), GTO, Judge, Le Mans (thru 1981), Sprint, T-37, Tempest, Trans Am -- (Cont.)

MFG./YEAR	MODEL & LOCATION	PART NO.	MFG./YEAR	MODEL & LOCATION	PART NO.
<b>Transmission-Manual (Cont.)</b>			<b>Drive Shaft</b>		
<b>Rear (Cont.)</b>			<b>1963 All:</b>		
1969-1965	3 Spd. H.D. Dearborn Trans.:		Seal		9510
	Seal	15041	<b>1962-1961 All:</b>		
	(Speedi-Sleeve)	99149	Seal		8885
	(Speedi-Sleeve/Seal Kit)	480150	(Speedi-Sleeve)		99087
	Bearing	6207-NRJ	<b>Engine</b>		
1968-1967	3 Spd. Trans. w/6 Cyl. Eng.:		<b>Camshaft</b>		
	Seal	15041	<b>1967-1966 230 O.H.C. Eng.:</b>		
	(Speedi-Sleeve)	99149	Seal		14903
	(Speedi-Sleeve/Seal Kit)	480150	(Speedi-Sleeve)		99149
1964	3 Spd. Trans. w/6 Cyl. Eng.:		<b>Crankshaft-Rear</b>		
	Seal	15041	<b>1995 231 (3.8L) Eng.:</b>		
	(Speedi-Sleeve)	99149	Seal		32289
	(Speedi-Sleeve/Seal Kit)	480150	(Speedi-Sleeve)		99328
	Bearing	6306-ZNRJ	<b>1995-1986 305 (5.0L) &amp; 350 (5.7L) Eng.:</b>		
1963-1961	3 Spd. Trans.:		Seal (Viton)		37026
	Seal	15041	(Speedi-Sleeve) (Viton)		99369
	(Speedi-Sleeve)	99149	Seal		37027
	(Speedi-Sleeve/Seal Kit)	480150	(Speedi-Sleeve)		99364
	Bearing	6306-ZNRJ	<b>1995-1990 189 (3.1L) &amp; 207 (3.4L) Eng.:</b>		
<b>Shift Shaft</b>			Seal		29862
1984-1976	4 Spd. Warner Trans.:		(Speedi-Sleeve)		99298
	Seal	6130	<b>1989 231 (3.8L) Eng.:</b>		
	(Speedi-Sleeve)	99062	Seal Kit		191
1981-1976	3 & 4 Spd. Trans. w/o 4 Spd. Warner:		<b>1989-1985 173 (2.8L) Eng.:</b>		
	Seal	7410	Seal		29862
	(Speedi-Sleeve)	99076	(Speedi-Sleeve)		99300
	(Speedi-Sleeve/Seal Kit)	480074	<b>1986-1982 151 (2.5L) Eng.:</b>		
1963-1961	All:		Seal		29987
	Seal	5606	<b>1985-1978 267 (4.4L), 305 (5.0L) &amp; 350 L (5.7L) Eng.:</b>		
	(Speedi-Sleeve)	99056	Seal Kit		199
<b>Air Conditioning Clutch</b>			<b>1981-1980 229 (3.8L) Eng.:</b>		
1995-1961	All:		Seal Kit		199
	Bearing	5908-VAW	<b>1981-1977 231 (3.8L) Eng.:</b>		
<b>Air Conditioning Compressor</b>			Seal Kit		191
1989-1975	Radial Comp.:		<b>1981-1977 265 (4.3L) &amp; 301 (4.9L) Eng.:</b>		
	Bearing	B128	Seal Kit		185
<b>Alternator</b>			<b>1979-1977 403 (6.6L) Eng.:</b>		
1995-1994	All:		Seal Kit		191
	Bearing (Rear)	DB65093	<b>1979-1967 400 (6.6L) Eng.:</b>		
1993-1990	All:		Seal Kit		185
	Bearing (Rear)	6000-2RSJ	<b>1977 350 R (5.7L) Eng.:</b>		
1989	w/o 85 Amp & 100 Amp.:		Seal Kit		191
	Bearing (Front)	6203-2RSJ	<b>1977-1968 350 P (5.7L) Eng.:</b>		
	Bearing (Rear)	6000-2RSJ	Seal Kit		185
1986-1983	All:		<b>1976 260 Eng.:</b>		
	Bearing (Front)	6203-2RSJ	Seal Kit		191
	Bearing (Rear)	MNJ471-S	<b>1976-1970 455 Eng.:</b>		
1982-1976	All:		Seal Kit		191
	Bearing (Front)	6203-ZJ	<b>1976-1968 250 Eng.:</b>		
	Bearing (Rear)	MNJ471-S	Seal Kit		199
1975-1969	Integral Regulator:		<b>1967-1963 326 &amp; 389 Eng.:</b>		
	Bearing (Front)	6203-ZJ	Seal Kit		185
	Bearing (Rear)	MNJ471-S	<b>1963-1961 195 Eng.:</b>		
1970-1962	w/o Integral Regulator:		Seal Kit		185
	Bearing (Front)	6203-RSJ	<b>Timing Cover</b>		
	Bearing (Rear)	MNJ471-S	<b>1995 231 (3.8L) Eng.:</b>		
			Seal		19387
			(Speedi-Sleeve)		99193
					(Continued)

## Passenger cars, light & medium trucks

(Cont.) -- Pontiac (RWD) Esprit, Firebird, Formula 350, Formula 400, Grand Am (1980-73), GTO, Judge, Le Mans (thru 1981), Sprint, T-37, Tempest, Trans Am

MFG./YEAR	MODEL & LOCATION	PART NO.	MFG./YEAR	MODEL & LOCATION	PART NO.
<b>Engine (Cont.)</b>			<b>Steering-Power</b>		
<b>Timing Cover (Cont.)</b>			<b>Pitman Shaft</b>		
<b>1995-1993 207 (3.4L) &amp; 350 (5.7L) Engs.:</b>			<b>1992-1983 All:</b>		
	Seal .....	17286		Seal (Inner) .....	12371
	(Speedi-Sleeve) .....	99176		Seal (Outer) .....	12355
	(Speedi-Sleeve/Seal Kit) .....	480177		Seal Kit .....	12392
<b>1992-1989 w/o '89 231 (3.8L) Eng.:</b>			<b>1982-1978 605 Gear w/Round Side Cvr.:</b>		
	Seal .....	17286		Seal (Inner) .....	12371
	(Speedi-Sleeve) .....	99176		Seal (Outer) .....	12355
	(Speedi-Sleeve/Seal Kit) .....	480177		Seal Kit .....	12392
<b>1989 231 (3.8L) Eng.:</b>			<b>1982-1964 800 Gear w/4 Bolt Side Cvr.:</b>		
	Seal Kit .....	144		Seal .....	11143
<b>1988-1982 151 (2.5L) &amp; 173 (2.8L) Engs.:</b>			<b>1963-1961 All:</b>		
	Seal .....	17286		Seal .....	11055
	(Speedi-Sleeve) .....	99176	<b>Pump Shaft</b>		
	(Speedi-Sleeve/Seal Kit) .....	480177	<b>1995-1993 All:</b>		
<b>1988-1977 267 (4.4L), 305 (5.0L) &amp; 350 L (5.7L) Engs.:</b>			Seal .....		
	Seal .....	17286	..... 7475		
	(Speedi-Sleeve) .....	99176	<b>1992-1989 w/o 20th Anniversary Pkg.:</b>		
	(Speedi-Sleeve/Seal Kit) .....	480177	Seal .....		
<b>1981-1980 229 (3.8L) Eng.:</b>			..... 7475		
	Seal .....	17286	<b>1989 20th Anniversary Pkg.:</b>		
	(Speedi-Sleeve) .....	99176	Bearing .....		
	(Speedi-Sleeve/Seal Kit) .....	480177	..... 6203-2RSJ		
<b>1981-1977 231 (3.8L) Eng.:</b>			<b>1988-1967 w/o 151 (2.5L) Eng.:</b>		
	Seal Kit .....	144	Seal .....		
<b>1981-1977 265 (4.3L) &amp; 301 (4.9L) Engs.:</b>			..... 7475		
	Seal .....	18492	<b>1986-1982 151 (2.5L) Eng.:</b>		
	(Speedi-Sleeve) .....	99186	Bearing .....		
	(Speedi-Sleeve/Seal Kit) .....	480184	..... 6203-2RSJ		
<b>1979-1977 403 (6.6L) Eng.:</b>			<b>1966-1961 All:</b>		
	Seal .....	19887	Seal .....		
	(Speedi-Sleeve) .....	99199	..... 6765		
<b>1979-1967 400 (6.6L) Eng.:</b>			<b>Worm Shaft</b>		
	Seal .....	18492	<b>1992-1976 800 Gear 2nd Design w/4 Bolt Side Cvr.:</b>		
	(Speedi-Sleeve) .....	99186	Seal .....		
	(Speedi-Sleeve/Seal Kit) .....	480184	..... 7905		
<b>1977 350 R (5.7L) Eng.:</b>			<b>1982 800 Gear:</b>		
	Seal .....	19887	Seal .....		
	(Speedi-Sleeve) .....	99199	..... 7905		
<b>1977-1968 350 P (5.7L) Eng.:</b>			<b>1982-1978 605 Gear w/Round Side Cvr.:</b>		
	Seal .....	18492	Seal .....		
	(Speedi-Sleeve) .....	99186	..... 8648		
	(Speedi-Sleeve/Seal Kit) .....	480184	<b>1981-1964 800 Gear 1st Design w/4 Bolt Side Cvr.:</b>		
<b>1976 260 Eng.:</b>			Seal .....		
	Seal .....	19887	..... 8660		
	(Speedi-Sleeve) .....	99199	<b>1963-1961 All:</b>		
<b>1976-1970 455 Eng.:</b>			Seal .....		
	Seal .....	18492	..... 7481		
	(Speedi-Sleeve) .....	99186	<b>Steering-Standard</b>		
	(Speedi-Sleeve/Seal Kit) .....	480184	<b>Pitman Shaft</b>		
<b>1976-1968 250 Eng.:</b>			<b>1980-1961 All:</b>		
	Seal .....	17286	Seal .....		
	(Speedi-Sleeve) .....	99176	..... 11055		
	(Speedi-Sleeve/Seal Kit) .....	480177	<b>Worm Shaft</b>		
<b>1967-1963 326 &amp; 389 Engs.:</b>			<b>1980-1961 All:</b>		
	Seal .....	18492	Seal .....		
	(Speedi-Sleeve) .....	99186	..... 7481		
	(Speedi-Sleeve/Seal Kit) .....	480184	<b>1980-1961 All:</b>		
<b>1965-1963 194 &amp; 215 Engs.:</b>			Seal .....		
	Seal .....	17286	..... 7481		
	(Speedi-Sleeve) .....	99176			
	(Speedi-Sleeve/Seal Kit) .....	480177			

**Pontiac (RWD) Fiero**

MFG./YEAR	MODEL & LOCATION	PART NO.	MFG./YEAR	MODEL & LOCATION	PART NO.
<b>Wheel Front</b>			<b>Transaxle-Manual (Cont.)</b>		
<b>1987-1984 All:</b>			<b>Output Shaft</b>		
Seal		14709	1988-1986	5 Spd. Muncie Trans.:	
Bearing (Inner)		BR4	Bearing (Rear)		5206A2RSNR
(Set Components)		L44649/L44610	1988-1985	5 Spd. Isuzu Trans.:	
Bearing (Outer)		BR1	Seal		13750
(Set Components)		LM11749/LM11710	(Speedi-Sleeve)		99138
<b>Wheel Rear</b>			Bearing (Rear)		BR32206
<b>1988-1984 All:</b>			1986-1984	4 Spd. Trans.:	
Hub Assembly (Kit)		BR930091K	Seal		13750
<b>Clutch</b>			(Speedi-Sleeve)		99138
<b>Release</b>			Bearing (Front)		BR5
1988-1986	5 Spd. Muncie Trans.:		(Set Components)		LM48548/LM48510
Bearing Assembly		N4005-SA	Bearing (Rear)		BR15101/BR15245
1988-1985	5 Spd. Isuzu Trans.:		<b>Shift Shaft</b>		
Bearing Assembly		N4042	1988-1986	5 Spd. Muncie Trans.:	
1986-1984	4 Spd. Trans.:		Seal		5806
Bearing Assembly		N3015	(Speedi-Sleeve)		99059
(Self-Aligning)		N3015-SA	1988-1985	5 Spd. Isuzu Trans.:	
<b>Transaxle-Automatic</b>			Seal		6408
<b>Front Pump</b>			(Speedi-Sleeve)		99058
1988-1984	THM125 Trans.:		1986-1984	4 Spd. Trans.:	
Seal		17849	Seal		5606
<b>Output Shaft</b>			(Speedi-Sleeve)		99056
1988-1984	THM125 Trans.:		<b>Air Conditioning Clutch</b>		
Seal		13750	1988-1984	All:	
(Speedi-Sleeve)		99138	Bearing		5908-VAW
<b>Shift Shaft</b>			<b>Alternator</b>		
1988-1984	THM125 Trans.:		1987-1984	All:	
Seal		4912	Bearing (Front)		6203-2RSJ
(Speedi-Sleeve)		99050	Bearing (Rear)		MNJ471-S
(Speedi-Sleeve/Seal Kit)		480050	<b>Engine</b>		
<b>Transaxle-Manual</b>			<b>Crankshaft-Rear</b>		
<b>Clutch Fork</b>			1988-1985	173 (2.8L) Eng.:	
1986-1985	5 Spd. Isuzu & Muncie Trans.:		Seal		29862
Seal		6720	(Speedi-Sleeve)		99298
1986-1984	4 Spd. Trans.:		1988-1984	151 (2.5L) Eng.:	
Seal		6720	Seal		29987
<b>Differential</b>			<b>Timing Cover</b>		
1988-1985	5 Spd. Isuzu Trans.:		1988-1984	All:	
Bearing		32008-X	Seal		17286
1988-1984	4 & 5 Spd. Muncie Trans.:		(Speedi-Sleeve)		99176
Bearing		BR11	(Speedi-Sleeve/Seal Kit)		480177
(Set Components)		JL69349/JL69310	<b>Input Shaft</b>		
<b>Input Shaft</b>			1988-1986	5 Spd. Muncie Trans.:	
1988-1986	5 Spd. Muncie Trans.:		Bearing		6305-2RSJ
Bearing		6305-2RSJ	1988-1985	5 Spd. Isuzu Trans.:	
1988-1985	5 Spd. Isuzu Trans.:		Seal		10937
Seal		10937	(Speedi-Sleeve)		99111
(Speedi-Sleeve)		99111	Bearing (Rear)		BR30306
Bearing (Rear)		BR30306	1986-1984	4 Spd. Trans.:	
1986-1984	4 Spd. Trans.:		Seal		10583
Seal		10583	(Speedi-Sleeve)		99106
(Speedi-Sleeve)		99106	Bearing		BR4
Bearing		BR4	(Set Components)		L44649/L44610
(Set Components)		L44649/L44610			



MFG./YEAR	MODEL & LOCATION	PART NO.	MFG./YEAR	MODEL & LOCATION	PART NO.
<b>Wheel Front</b>			<b>Transmission-Manual</b>		
1987-1981 All:			<b>Countershaft</b>		
	Seal .....	14709	1987-1982 5 Spd. Warner Trans. w/Gas Eng.:		
	Bearing (Inner) .....	BR4		Bearing (Rear) .....	R1563-TAV
	(Set Components) .....	L44649/L44610	1985-1983 5 Spd. Isuzu Trans. w/Diesel Eng.:		
	Bearing (Outer) .....	BR1		Bearing (Rear) .....	6204-2RSJ
	(Set Components) .....	LM11749/LM11710	<b>Front</b>		
<b>Wheel Rear</b>			1987-1982 5 Spd. Warner Trans. w/Gas Eng.:		
1987-1981 All:				Seal .....	12363
	Seal .....	12907		(Speedi-Sleeve) .....	99125
	Bearing .....	C5107-EV		Bearing .....	BR5
<b>Pinion</b>				(Set Components) .....	LM48548/LM48510
1987-1982 All:			1987-1981 4 Spd. Trans.:		
	Seal .....	17781		Seal .....	11700
	(Speedi-Sleeve) .....	99177		(Speedi-Sleeve) .....	99122
	Bearing (Front) .....	M84548/M84510		Bearing .....	6206-ZNRJ
	Bearing (Rear) .....	BR52	1985-1983 5 Spd. Isuzu Trans. w/Diesel Eng.:		
	(Set Components) .....	M88048/M88010		Seal .....	10661
1981 All:				(Speedi-Sleeve) .....	99106
	Seal .....	17781		Bearing .....	■ 6208-ZNJ
	(Speedi-Sleeve) .....	99177	<b>Rear</b>		
	Bearing (Front) .....	M84548/M84510	1987-1982 5 Spd. Warner Trans. w/Gas Eng.:		
	Bearing (Rear) .....	M88047/M88010		Seal .....	15041
<b>Differential</b>				(Speedi-Sleeve) .....	99149
1987-1981 All:				(Speedi-Sleeve/Seal Kit) .....	480150
	Bearing .....	LM29749/LM29711		Bearing .....	BR25877/BR25821
<b>Clutch</b>			1987-1981 4 Spd. Trans.:		
<b>Pilot</b>				Seal .....	15041
1987-1981 98 (1.6L) Eng.:				(Speedi-Sleeve) .....	99149
	Bearing (Bushing) .....	B652		(Speedi-Sleeve/Seal Kit) .....	480150
	(Heavy Duty) .....	B652HD		Bearing .....	6206-NRJ
1985-1983 111 (1.8L) Diesel Eng.:			1985-1983 5 Spd. Isuzu Trans. w/Diesel Eng.:		
	Bearing .....	6203-2RSJ		Seal .....	14740
<b>Release</b>				(Speedi-Sleeve) .....	99147
1987-1981 98 (1.6L) Eng.:			<b>Air Conditioning Clutch</b>		
	Bearing Assembly .....	N1488	1987-1981 All:		
1985-1983 111 (1.8L) Diesel Eng.:				Bearing .....	5908-VAW
	Bearing Only .....	N3055	<b>Air Conditioning Compressor</b>		
	Bearing Assembly .....	N3007	1987-1981 All:		
<b>Transmission-Automatic</b>				Bearing .....	B128
<b>Front Pump</b>			<b>Alternator</b>		
1987-1981 THM180 Trans.:			1987-1983 Gas Eng.:		
	Seal .....	18692		Bearing (Front) .....	6203-2RSJ
	(Speedi-Sleeve) .....	99187		Bearing (Rear) .....	MNJ471-S
	(Speedi-Sleeve/Seal Kit) .....	480187	1985-1983 Diesel Eng.:		
1984-1983 THM200 Trans.:				Bearing (Front) .....	6303-2RSJ
	Seal .....	17458	1982-1981 w/o 70 Amp.:		
	(Speedi-Sleeve) .....	99174		Bearing (Front) .....	6203-ZJ
<b>Rear</b>				Bearing (Rear) .....	MNJ471-S
1987-1981 All:			1982-1981 70 Amp.:		
	Seal .....	15041		Bearing (Front) .....	6203-ZJ
	(Speedi-Sleeve) .....	99149		Bearing (Rear) .....	BA608
	(Speedi-Sleeve/Seal Kit) .....	480150	<b>Engine</b>		
<b>Shift Shaft</b>			<b>Camshaft</b>		
1987-1981 All:			1987-1984 98 (1.6L) Eng.:		
	Seal .....	4912		Seal .....	17286
	(Speedi-Sleeve) .....	99050		(Speedi-Sleeve) .....	99176
	(Speedi-Sleeve/Seal Kit) .....	480050	1985-1983 111 (1.8L) Diesel Eng.:		
				Seal .....	10957
				(Speedi-Sleeve) .....	99111
			(Continued)		

**Pontiac (RWD) T1000 -- (Cont.)**

MFG./YEAR	MODEL & LOCATION	PART NO.	MFG./YEAR	MODEL & LOCATION	PART NO.
<b>Engine (Cont.)</b>			<b>Engine (Cont.)</b>		
<b>Camshaft (Cont.)</b>			<b>Timing Cover (Cont.)</b>		
1983-1981	98 (1.6L) Eng.:		1983-1981	98 (1.6L) Eng.:	
Seal		17286	Seal		17286
(Speedi-Sleeve)		99176	(Speedi-Sleeve)		99176
(Speedi-Sleeve/Seal Kit)		480177	(Speedi-Sleeve/Seal Kit)		480177
<b>Crankshaft-Rear</b>			<b>Steering-Power</b>		
1987-1981	98 (1.6L) Eng.:		<b>Pump Shaft</b>		
Seal		29870	1987-1981 All:		
(Speedi-Sleeve)		99300	Seal		
1985-1983	111 (1.8L) Diesel Eng.:		7475		
Seal		37030	<b>Worm Shaft</b>		
(Speedi-Sleeve)		99369	1987-1981 All:		
<b>Timing Cover</b>			Seal		
1987-1984	98 (1.6L) Eng.:		9705		
Seal		17286			
(Speedi-Sleeve)		99176			
1985-1983	111 (1.8L) Diesel Eng.:				
Seal		15829			
(Speedi-Sleeve)		99157			

**Pontiac APV Trans Sport**

<b>Wheel Front</b>		<b>Engine</b>	
1995-1992 All:		<b>Crankshaft-Rear</b>	
Hub Assembly	BR930076	1995-1992 231 (3.8L) Eng.:	
1991-1990 All:		Seal	
Seal	24097	32289	
Hub Assembly (Kit)	BR930022K	(Speedi-Sleeve)	
<b>Wheel Rear</b>		99328	
1995-1992 Rr. Drum Brks. w/o A.W.D.:		1995-1990 189 (3.1L) Eng.:	
Hub Assembly	BR930078	Seal	
1991-1990 All:		29862	
Hub Assembly	BR930026	(Speedi-Sleeve)	
<b>Transaxle-Automatic</b>		99298	
<b>Front Pump</b>		<b>Timing Cover</b>	
1995-1990 All:		1995-1992 231 (3.8L) Eng.:	
Seal	17849	Seal	
<b>Output Shaft</b>		19387	
1995-1992 4T60E Trans.:		(Speedi-Sleeve)	
Seal (L.H.)	13959	99193	
(Speedi-Sleeve) (L.H.)	99139	1995-1990 189 (3.1L) Eng.:	
Seal (R.H.)	13750	Seal	
(Speedi-Sleeve) (R.H.)	99138	17286	
1995-1990 THM125 Trans.:		(Speedi-Sleeve)	
Seal	13750	99176	
(Speedi-Sleeve)	99138	(Speedi-Sleeve/Seal Kit)	
<b>Shift Shaft</b>		480177	
1995-1990 All:		<b>Steering-Power</b>	
Seal	4912	<b>Pump Shaft</b>	
(Speedi-Sleeve)	99050	1995-1992 207 (3.4L) & 231 (3.8L) Engs.:	
(Speedi-Sleeve/Seal Kit)	480050	Seal	
<b>Air Conditioning Clutch</b>		7475	
1995-1991 All:		1995-1990 189 (3.1L) Eng.:	
Bearing	5908-VAW	Bearing	
<b>Alternator</b>		6203-2RSJ	
1995-1992 207 (3.4L) & 231 (3.8L) Engs. w/140 Amp.:			
Bearing (Rear)	DB65093		

# Passenger cars, light & medium trucks

## Pontiac (Canadian Models) Asuna, Firefly, Optima, Pursuit, Sunburst, Sunfire

MFG./YEAR	MODEL & LOCATION	PART NO.	MFG./YEAR	MODEL & LOCATION	PART NO.
<b>Wheel Front</b>			<b>Transaxle-Automatic</b>		
1995	Firefly:		<b>Differential</b>		
	Bearing .....	FW22	1993-1992	A210 (MX17) Trans.:	
1994-1989	Firefly:			Bearing .....	[2] 6207-ZJ
	Seal .....	20906	1991-1987	A210 (MX17) Trans. w/o Turbo Eng.:	
	Bearing .....	FW22		Bearing .....	[2] 6207-ZJ
1993	Sunfire:		1989-1985	KF100 (17R) Trans.:	
	Seal .....	16514		Bearing .....	[2] 32008-X
1990-1989	Optima w/2.0L Eng.:		1988-1987	A210 (MX17) Trans. w/Turbo Eng.:	
	Sealed Bearing .....	FW131		Bearing .....	[2] 6207-J
1989-1985	Sunburst w/o Turbo:		1986-1985	A210 (MX17) Trans.:	
	Seal (Inner) .....	19613		Bearing .....	[2] 6207-ZJ
	Seal (Outer) .....	16522	<b>Front Pump</b>		
	Bearing .....	B35	1995	3 Spd. Trans.:	
1988-1986	Firefly:			Seal .....	14772
	Seal .....	17149		(Speedi-Sleeve) .....	99147
	Bearing .....	[2] 6007-2RSJ	1993	HM3T40 Trans.:	
1985	Firefly w/1st Design:			Seal .....	17849
	Seal .....	17149	1993-1985	A210 (MX17) Trans.:	
	Bearing .....	[2] 6007-J		Seal .....	14719
1985	Firefly w/2nd Design:			(Speedi-Sleeve) .....	99147
	Seal .....	17149	1991-1988	THM125 & HM3T40 Trans.:	
	Bearing .....	[2] 6007-2RSJ		Seal .....	17849
<b>Wheel Rear</b>			1989-1985	KF100 (17R) Trans.:	
1994-1985	Firefly:			Seal .....	17753
	Bearing (Inner) .....	6205-RSJ		(Speedi-Sleeve) .....	99177
	Bearing (Outer) .....	6204-RSJ	<b>Output Shaft</b>		
1993	Asuna:		1993	THM125 Trans.:	
	Seal .....	15802		Seal .....	13750
	Bearing (Inner) .....	BR8		(Speedi-Sleeve) .....	99138
	(Set Components) .....	L45449/L45410	1993-1985	A210 (MX17) Trans.:	
	Bearing (Outer) .....	BR1		Seal .....	13963
	(Set Components) .....	LM11749/LM11710		(Speedi-Sleeve) .....	99139
1991-1989	Optima:		1991-1988	THM125 & HM3T40 Trans.:	
	Seal .....	15802		Seal .....	13750
	Bearing (Inner) .....	BR8		(Speedi-Sleeve) .....	99138
	(Set Components) .....	L45449/L45410	1989-1985	KF100 (17R) Trans.:	
	Bearing (Outer) .....	BR1		Seal .....	550231
	(Set Components) .....	LM11749/LM11710		(Speedi-Sleeve) .....	99139
1989-1985	Sunburst:		<b>Shift Shaft</b>		
	Seal .....	550270	1993	THM125 Trans.:	
	Bearing (Inner) .....	BR4		Seal .....	4912
	(Set Components) .....	L44649/L44610		(Speedi-Sleeve) .....	99050
	Bearing (Outer) .....	BR1		(Speedi-Sleeve/Seal Kit) .....	480050
	(Set Components) .....	LM11749/LM11710	1993-1985	A210 (MX17) Trans.:	
<b>Clutch</b>				Seal .....	5413
<b>Pilot</b>				(Speedi-Sleeve) .....	99055
1995-1992	1.3L Eng.:		1991-1988	THM125 Trans.:	
	Bearing .....	6200-2RSJ		Seal .....	4912
1991-1985	1.0L Eng.:			(Speedi-Sleeve) .....	99050
	Bearing .....	6200-2RSJ		(Speedi-Sleeve/Seal Kit) .....	480050
<b>Release</b>			<b>Transaxle-Manual</b>		
1994-1992	1.3L Eng.:		<b>Countershaft</b>		
	Bearing Assembly .....	N4069	1993-1985	Suzuki GMX-6 (MV2) Trans.:	
1993	1.8L Eng.:			Bearing (L.H.) .....	BR32004
	Bearing Assembly .....	N4042	<b>Differential</b>		
1991-1989	1.0L Turbo Eng.:		1993	Isuzu GMX-5 (M79) Trans.	
	Bearing Assembly .....	N4069		Bearing .....	[2] 32008-X
1989-1985	1.5L Eng.:		1993-1989	Suzuki GMX-6 (MV2) Trans.:	
	Bearing Assembly .....	N4042		Bearing (L.H.) .....	6207-J
1988-1985	1.0L Eng.:			Bearing (R.H.) .....	6007-J
	Bearing Assembly .....	N4031			(Continued)

**Pontiac (Canadian Models) Asuna, Firefly, Optima, Pursuit, Sunburst, Sunfire -- (Cont.)**

MFG./YEAR	MODEL & LOCATION	PART NO.	MFG./YEAR	MODEL & LOCATION	PART NO.
<b>Transaxle-Manual (Cont.)</b>			<b>Engine</b>		
<b>Differential (Cont.)</b>			<b>Camshaft</b>		
1989-1985	Isuzu GMX-5 (M79) Trans.		1994-1992	1.3L Eng.:	
	Bearing	[2] 32008-X		Seal	12724
1988-1985	Suzuki GMX-6 (MV2) Trans.:			(Speedi-Sleeve)	99128
	Bearing	[2] 6207-ZJ	1993	1.6L Eng.:	
<b>Input Shaft</b>				Seal	13709
1993	Isuzu GMX-5 (M79) Trans.			(Speedi-Sleeve)	99139
	Seal	10937	1993	1.8L Eng.:	
	(Speedi-Sleeve)	99111		Seal	15800
	Bearing	BR30306		(Speedi-Sleeve)	99157
1993-1985	Suzuki GMX-6 (MV2) Trans.:		1991-1988	1.6L & 2.0L Eng.:	
	Seal	7922		Seal	13709
	(Speedi-Sleeve)	99078		(Speedi-Sleeve)	99139
	Bearing	[2] BR32204	1991-1985	1.0L Eng.:	
1989-1985	Isuzu GMX-5 (M79) Trans.			Seal	12724
	Seal	10937		(Speedi-Sleeve)	99128
	(Speedi-Sleeve)	99111	1989-1985	1.5L Eng.:	
	Bearing	BR30306		Seal	15800
				(Speedi-Sleeve)	99157
<b>Output Shaft</b>			<b>Crankshaft-Rear</b>		
1993	Isuzu GMX-5 (M79) Trans.		1995-1992	1.3L Eng.:	
	Seal	550231		Seal	26749
	(Speedi-Sleeve)	99139	1993	1.6L Eng.:	
	Bearing (L.H.)	BR5		Seal	31507
	(Set Components)	LM48548/LM48510		(Speedi-Sleeve)	99315
	Bearing (R.H.)	BR32206	1993	1.8L Eng.:	
1993-1989	Suzuki GMX-6 (MV2) Trans.:			Seal	34120
	Seal (L.H.)	13966	1991-1988	1.6L Eng.:	
	(Speedi-Sleeve) (L.H.)	99139		Seal	31507
	Seal (R.H.)	13949		(Speedi-Sleeve)	99315
	(Speedi-Sleeve) (R.H.)	99139	1991-1985	1.0L Eng.:	
1989-1985	Isuzu GMX-5 (M79) Trans.			Seal	26749
	Seal	550231	1988-1985	1.5L Eng.:	
	(Speedi-Sleeve)	99139		Seal	34120
	Bearing (L.H.)	BR5	<b>Timing Cover</b>		
	(Set Components)	LM48548/LM48510	1995	3 Cyl. Eng.:	
	Bearing (R.H.)	BR32206		Seal	12595
1988-1985	Suzuki GMX-6 (MV2) Trans.:		1994-1992	1.3L Eng.:	
	Seal (L.H.)	13966		Seal	12724
	(Speedi-Sleeve) (L.H.)	99139		(Speedi-Sleeve)	99128
<b>Shift Shaft</b>			1993	1.8L Eng.:	
1993	Isuzu GMX-5 (M79) Trans.			Seal	12706
	Seal	6720		(Speedi-Sleeve)	99128
1989-1985	Isuzu GMX-5 (M79) Trans.		1991-1985	1.0L Eng.:	
	Seal	6720		Seal	12724
<b>Air Conditioning Clutch</b>				(Speedi-Sleeve)	99128
1993	Harrison V-5 (Variable):		1989	2.0L Eng.:	
	Bearing	5908-VAW		Seal	12756
1991-1988	Harrison V-5 (Variable):			(Speedi-Sleeve)	99128
	Bearing	5908-VAW	1988-1985	1.5L Eng.:	
<b>Alternator</b>				Seal	15823
1993-1988	Bosch 55 & 65 Amp.:			(Speedi-Sleeve)	99157
	Bearing (Front)	6203-2RSJ	<b>Steering-Power</b>		
	Bearing (Rear)	6201-2RSJ	<b>Pump Shaft</b>		
1988-1985	Nippondenso 45 & 50 Amp.:		1993	Asuna:	
	Bearing (Front)	6302-2RSJ		Seal	7541
	Bearing (Rear)	6201-2RSJ		Bearing	6203-2RSJ
			1993	Sunfire:	
				Seal	6624

(Continued)

## Passenger cars, light & medium trucks

### (Cont.) -- Pontiac (Canadian Models) Asuna, Firefly, Optima, Pursuit, Sunburst, Sunfire

MFG./YEAR	MODEL & LOCATION	PART NO.	MFG./YEAR	MODEL & LOCATION	PART NO.
<b>Steering-Power (Cont.)</b>					
<b>Pump Shaft (Cont.)</b>					
1991-1988 Optima:					
	Seal .....	7541			
	Bearing .....	6203-2RSJ			
<b>Pontiac Import Truck (Canadian Models) Sunrunner</b>					
<b>Wheel Front</b>			<b>Transfer Case (Cont.)</b>		
1995-1994 All:			<b>Rear Output Shaft</b>		
	Seal (Inner) .....	29505	1995-1994 All:		
	Seal (Outer) .....	21052	Seal .....		
<b>Wheel Rear</b>			<i>(Speedi-Sleeve)</i> .....		
1995-1994 All:			15967		
	Seal (Inner) .....	18452	99157		
	Seal (Outer) .....	17113			
	Sealed Bearing w/Lock Ring .....	GRW232-R	<b>Transmission-Automatic</b>		
<b>Pinion</b>			<b>Front Pump</b>		
<b>Front Axle</b>			1995-1994 THM180C Trans.:		
1995-1994 All:			Seal .....		
	Bearing (Front) .....	BR30306	<i>(Speedi-Sleeve)</i> .....		
	Bearing (Rear) .....	BR30307	18692		
<b>Rear Axle</b>			<i>(Speedi-Sleeve)</i> .....		
1995-1994 All:			99187		
	Bearing (Front) .....	BR30306	<b>Rear</b>		
	Bearing (Rear) .....	BR30307	1995-1994 THM180C Trans.:		
<b>Differential</b>			Seal .....		
<b>Front Axle</b>			<i>(Speedi-Sleeve)</i> .....		
1995-1994 All:			15041		
	Bearing .....	[2] KC11445-Y	<i>(Speedi-Sleeve)</i> .....		
	<i>(Set Components)</i> .....	BR17887/BR17831	99149		
<b>Rear Axle</b>			<b>Shift Shaft</b>		
1995-1994 All:			1995-1994 THM180C Trans.:		
	Bearing .....	[2] KC11445-Y	Seal .....		
	<i>(Set Components)</i> .....	BR17887/BR17831	<i>(Speedi-Sleeve)</i> .....		
<b>Clutch</b>			<i>(Speedi-Sleeve/Seal Kit)</i> .....		
<b>Pilot</b>			4912		
1995-1994 All:			<i>(Speedi-Sleeve)</i> .....		
	Bearing .....	6200-2RSJ	99050		
<b>Release</b>			480050		
1995-1994 All:			<b>Engine</b>		
	Bearing Assembly .....	N4092	<b>Camshaft</b>		
<b>Transfer Case</b>			1995-1994 1.6L Eng.:		
<b>Front Output Shaft</b>			Seal .....		
1995-1994 All:			<i>(Speedi-Sleeve)</i> .....		
	Seal .....	15967	12724		
	<i>(Speedi-Sleeve)</i> .....	99157	<i>(Speedi-Sleeve)</i> .....		
	Bearing .....	6306-NRJ	99128		
<b>Input Shaft</b>			<b>Crankshaft-Rear</b>		
1995-1994 All:			1995-1994 1.6L Eng.:		
	Seal .....	13963	Seal .....		
	<i>(Speedi-Sleeve)</i> .....	99139	26749		
			<b>Timing Cover</b>		
			1995-1994 1.6L Eng.:		
			Seal .....		
			<i>(Speedi-Sleeve)</i> .....		
			12724		
			<i>(Speedi-Sleeve)</i> .....		
			99128		
			<b>Steering-Power</b>		
			<b>Pump Shaft</b>		
			1995-1994 All:		
			Seal .....		
			6633		

# Passenger cars, light & medium trucks

## Porsche

MFG./YEAR	MODEL & LOCATION	PART NO.	MFG./YEAR	MODEL & LOCATION	PART NO.
<b>Wheel Front</b>			<b>Wheel Front (Cont.)</b>		
1995-1987	928, 928GTS, 944 & 968:		1958-1955	356A:	
	Seal .....	17736		Seal .....	15851
	Bearing (Inner) .....	BR17		Bearing (Inner) .....	BR30206
	(Set Components) .....	L68149/L68111		Bearing (Outer) .....	BR30304
	Bearing (Outer) .....	BR3	<b>Wheel Rear</b>		
	(Set Components) .....	M12649/M12610	1995-1992	911 Turbo w/A.W.D.:	
1994-1990	911:			Sealed Bearing .....	GRW140
	Sealed Bearing .....	GRW231	1995-1992	968:	
1989	911 w/A.W.D.:			Sealed Bearing .....	FW161
	Sealed Bearing .....	GRW231	1995-1990	911 w/A.W.D. w/o Turbo:	
1989-1974	911 w/o A.W.D.; 912:			Sealed Bearing .....	FW161
	Seal .....	17736		C-Clip .....	CIR161
	Bearing (Inner) .....	BR6	1992-1978	928:	
	(Set Components) .....	LM67048/LM67010		Sealed Bearing .....	GRW140
	Bearing (Outer) .....	BR2	1991-1987	944:	
	(Set Components) .....	LM11949/LM11910		Sealed Bearing .....	FW161
1986-1983	944:		1989-1984	911:	
	Seal .....	17736		Seal (Outer) .....	25420
	Bearing (Inner) .....	BR6		Bearing (Inner) .....	LM503349-A/LM503310
	(Set Components) .....	LM67048/LM67010		Bearing (Outer) .....	JLM104948/JLM104910
	Bearing (Outer) .....	BR2	1988-1987	924:	
	(Set Components) .....	LM11949/LM11910		Sealed Bearing .....	FW161
1986-1978	928:		1986-1977	924 & 944:	
	Seal .....	17736		Seal .....	17149
	Bearing (Inner) .....	BR17		Bearing (Inner) .....	6206-J
	(Set Components) .....	L68149/L68111		Bearing (Outer) .....	MA1206-UV
	Bearing (Outer) .....	BR16	1983-1974	911 w/o Turbo:	
	(Set Components) .....	LM12749/LM12711		Sealed Bearing .....	FW161
1982-1977	924 w/Disc Brks.:		1977	911 Turbo:	
	Seal .....	17736		Seal (Outer) .....	25420
	Bearing (Inner) .....	BR6		Bearing (Inner) .....	LM503349-A/LM503310
	(Set Components) .....	LM67048/LM67010		Bearing (Outer) .....	JLM104948/JLM104910
	Bearing (Outer) .....	BR2	1976-1970	914:	
	(Set Components) .....	LM11949/LM11910		Seal .....	15805
1982-1977	924 w/Drum Brks.:			Sealed Bearing .....	FW109
	Seal .....	550217	1969-1965	911 & 912:	
	Bearing (Inner) .....	BR8		Seal .....	550237
	(Set Components) .....	L45449/L45410		Bearing .....	6208-J
	Bearing (Outer) .....	BR1	1965-1960	356A, B & C:	
	(Set Components) .....	LM11749/LM11710		Seal .....	550154
1976-1970	914/4:		<b>Differential</b>		
	Seal .....	15805	1985-1978	928:	
	Bearing (Inner) .....	BR8		Bearing .....	32010-X
	(Set Components) .....	L45449/L45410	1985-1977	924 & 944 w/Auto. Transaxle:	
	Bearing (Outer) .....	BR1		Bearing .....	LM300849/LM300811
	(Set Components) .....	LM11749/LM11710	1985-1977	924 w/4 Spd. Transaxle; 944 w/5 Spd. Transaxle:	
1973-1963	356C, 911 & 912:			Bearing (L.H.) .....	BR35
	Seal .....	550154		(Set Components) .....	LM501349/LM501310
	Bearing (Inner) .....	BR6		Bearing (R.H.) .....	LM300849/LM300811
	(Set Components) .....	LM67048/LM67010	1985-1974	911 & 912:	
	Bearing (Outer) .....	BR2		Bearing .....	32010-X
	(Set Components) .....	LM11949/LM11910	1979-1977	924 w/5 Spd. Transaxle:	
1972-1970	914/6:			Bearing .....	32010-X
	Seal .....	17736	1976-1970	914/4 & 914/6:	
	Bearing (Inner) .....	BR6		Bearing .....	32010-X
	(Set Components) .....	LM67048/LM67010	1973-1965	911 & 912:	
	Bearing (Outer) .....	BR2		Bearing .....	BR37
	(Set Components) .....	LM11949/LM11910		(Set Components) .....	LM603049/LM603011
1962-1952	356B:				(Continued)
	Seal .....	550154			
	Bearing (Inner) .....	BR30206			
	Bearing (Outer) .....	BR30304			

MFG./YEAR	MODEL & LOCATION	PART NO.	MFG./YEAR	MODEL & LOCATION	PART NO.
<b>Clutch</b>			<b>Transaxle-Manual (Cont.)</b>		
<b>Pilot</b>			<b>Input Shaft (Cont.)</b>		
1995-1994	911 w/Turbo:		1982-1980	924:	
	Bearing .....	6202-2RSJ		Seal .....	9706
1995-1993	928 GTS:			(Speedi-Sleeve) .....	99098
	Bearing .....	6202-2ZJ	1979-1977	924:	
1995-1992	968:			Seal .....	7916
	Bearing .....	6202-RSJ		(Speedi-Sleeve) .....	99078
1995-1988	911 Exc. Turbo; 928:		1976-1970	914/4 & 914/6:	
	Bearing .....	6202-RSJ		Seal .....	8550
<b>Release</b>				(Speedi-Sleeve) .....	99085
1984-1977	924 & 944 w/o Turbo:		1969-1952	All:	
	Bearing Assembly .....	N1850		Seal .....	550189
<b>Transaxle-Automatic</b>				(Speedi-Sleeve) .....	99086
<b>Differential</b>			<b>Output Shaft</b>		
1989-1984	944:		1989-1984	911 w/Turbo:	
	Bearing .....	LM300849/LM300811		Seal (L.H.) .....	25421
<b>Front Pump</b>				(Speedi-Sleeve) (L.H.) .....	99254
1985-1983	928:		1985-1983	944:	
	Seal .....	16896		Seal .....	17629
	(Speedi-Sleeve) .....	99182		(Speedi-Sleeve) .....	99177
1985-1977	924 & 944:		1985-1978	928:	
	Seal .....	17753		Seal .....	18877
	(Speedi-Sleeve) .....	99177		(Speedi-Sleeve) .....	99189
1983-1974	911 & 912:		1983-1974	911:	
	Seal .....	17629		Seal .....	17758
	(Speedi-Sleeve) .....	99177		(Speedi-Sleeve) .....	99177
1982-1978	928:		1976-1970	914/4 & 914/6:	
	Seal .....	17154		Seal .....	17758
1976-1970	914/4 & 915/6:			(Speedi-Sleeve) .....	99177
	Seal .....	17629	<b>Transmission-Automatic</b>		
	(Speedi-Sleeve) .....	99177	<b>Front Pump</b>		
<b>Output Shaft</b>			1991-1984	928:	
1985-1978	928:			Seal .....	16896
	Seal .....	18877		(Speedi-Sleeve) .....	99182
	(Speedi-Sleeve) .....	99189	<b>Transmission-Manual</b>		
1985-1977	924 & 944:		<b>Mainshaft</b>		
	Seal .....	17629	1984	911 Carrera & 911 Turbo:	
	(Speedi-Sleeve) .....	99177		Bearing .....	N308-ECP
1983-1974	911 & 912:		<b>Alternator</b>		
	Seal .....	17758	1982-1977	924:	
	(Speedi-Sleeve) .....	99177		Bearing (Front) .....	6303-ZJ
1976-1970	914/4 & 914/6:		<b>Drive Shaft</b>		
	Seal .....	17759	1976-1970	914/4 & 914/6:	
	(Speedi-Sleeve) .....	99177		Seal .....	550294
<b>Transaxle-Manual</b>				(Speedi-Sleeve) .....	99177
<b>Differential</b>			<b>Engine</b>		
1992-1990	911 w/A.W.D.:		<b>Camshaft</b>		
	Bearing .....	32010-X	1985-1983	944:	
1989-1984	911 w/o Turbo:			Seal .....	11626
	Bearing .....	32010-X		(Speedi-Sleeve) .....	99114
1989-1984	911 w/Turbo:		1982-1977	924:	
	Bearing .....	BR30210		Seal .....	12724
<b>Input Shaft</b>				(Speedi-Sleeve) .....	99128
1985-1983	944:		<b>Crankshaft-Rear</b>		
	Seal .....	9727	1985-1978	911 w/6 Cyl. Eng.; 928 & 944:	
	(Speedi-Sleeve) .....	99098		Seal .....	35409
1985-1978	928:			(Speedi-Sleeve) .....	99354
	Seal .....	14704			(Continued)
	(Speedi-Sleeve) .....	99147			

## Passenger cars, light & medium trucks

### Porsche -- (Cont.)

MFG./YEAR	MODEL & LOCATION	PART NO.	MFG./YEAR	MODEL & LOCATION	PART NO.
<b>Engine (Cont.)</b>			<b>Engine (Cont.)</b>		
<b>Crankshaft-Rear (Cont.)</b>			<b>Timing Cover (Cont.)</b>		
1982-1977	924:		1985-1978	928:	
	Seal .....	37825		Seal .....	23447
1977-1970	911 & 912 w/4 Cyl. Eng.; 914/4:			(Speedi-Sleeve) .....	99235
	Seal .....	29525	1985-1974	911 w/6 Cyl. Eng.:	
	(Speedi-Sleeve) .....	99294		Seal .....	11636
1977-1966	911 w/6 Cyl; 914/6:			(Speedi-Sleeve) .....	99114
	Seal .....	25420	1982-1977	924:	
	(Speedi-Sleeve) .....	99254		Seal .....	13744
<b>Timing Belt Tensioner</b>				(Speedi-Sleeve) .....	99139
1982-1977	924:		1976-1970	911 & 912 w/4 Cyl. Eng.; 914/4:	
	Bearing & Housing Assy. ....	VKM11000		Seal .....	16523
<b>Timing Cover</b>				(Speedi-Sleeve) .....	99169
1994-1988	928:		1971-1970	914/6:	
	Seal .....	23447		Seal .....	11636
	(Speedi-Sleeve) .....	99235		(Speedi-Sleeve) .....	99114
1985-1983	944:				
	Seal .....	14772			
	(Speedi-Sleeve) .....	99147			

### Puma (Canadian Models) GT

<p><b>Wheel Front</b></p> <p>1982-1981 All:</p> <p>Seal ..... 550247</p> <p>Bearing (Inner) ..... BR8</p> <p>(Set Components) ..... L45449/L45410</p> <p>Bearing (Outer) ..... BR1</p> <p>(Set Components) ..... LM11749/LM11710</p> <p><b>Wheel Rear</b></p> <p>1982-1981 All:</p> <p>Seal ..... 17736</p> <p>Bearing (Inner) ..... 6206-J</p> <p>Bearing (Outer) ..... MA1206-UV</p> <p><b>Clutch</b></p> <p><b>Release</b></p> <p>1982-1981 All:</p> <p>Bearing Assembly ..... N1850</p> <p><b>Transaxle-Manual</b></p> <p><b>Differential</b></p> <p>1982-1981 All:</p> <p>Bearing ..... [2] LM300849/LM300811</p>	<p><b>Transaxle-Manual (Cont.)</b></p> <p><b>Input Shaft</b></p> <p>1982-1981 All:</p> <p>Seal ..... 7940</p> <p>(Speedi-Sleeve) ..... 99085</p> <p><b>Alternator</b></p> <p>1982-1981 Bosch 30 Amp.:</p> <p>Bearing (Front) ..... 6201-ZJ</p> <p>Bearing (Rear) ..... 6202-2ZJ</p> <p><b>Engine</b></p> <p><b>Crankshaft-Rear</b></p> <p>1982-1981 1.6L Eng.:</p> <p>Seal ..... 27740</p> <p>(Speedi-Sleeve) ..... 99276</p>
--	---

### Renault

<p><b>Wheel Front</b></p> <p>1987-1983 Alliance, Encore &amp; GTA:</p> <p>Sealed Bearing ..... B31</p> <p>1986-1981 Fuego &amp; 18i:</p> <p>Sealed Bearing w/Housing ..... FW110</p> <p>1984-1976 LeCar:</p> <p>Sealed Bearing (Outer) ..... B37</p> <p>1975-1971 R12, R16 &amp; R16TS:</p> <p>Bearing ..... 6207-RSJ</p> <p>1971 R10:</p> <p>Bearing (Inner) ..... BR30204</p> <p>Bearing (Outer) ..... BR30203</p>	<p><b>Wheel Front (Cont.)</b></p> <p>1969-1968 R16 &amp; R16TS:</p> <p>Bearing ..... BR30205</p> <p>1967-1955 Caravelle &amp; Dauphine:</p> <p>Bearing (Inner) ..... BR30204</p> <p>Bearing (Outer) ..... BR30203</p> <p>1963-1955 Fregate:</p> <p>Bearing (Inner) ..... BR32206</p> <p>Bearing (Outer) ..... BR32304</p> <p style="text-align: right;">(Continued)</p>
--	---



MFG./YEAR	MODEL & LOCATION	PART NO.	MFG./YEAR	MODEL & LOCATION	PART NO.
<b>Wheel Rear</b>			<b>Clutch</b>		
1987-1983	Alliance, Encore & GTA:		<b>Pilot</b>		
	Sealed Bearing .....	GRW145	1986-1980	18i:	
1984-1977	LeCar R1228 From Chas. 9617, R1229 & R1399:			Bearing .....	6203-2RSJ
	Seal .....	18997	<b>Release</b>		
	Bearing (Inner) .....	BR32005	1986-1980	Fuego & 18i:	
	Bearing (Outer) .....	BR32004		Bearing Assembly .....	N4040
1983-1982	Fuego w/1.6L Turbo Eng. Thru Chas. 12800:		1984-1976	LeCar:	
	Seal .....	18997		Bearing Assembly .....	N4038
	Bearing (Inner) .....	BR30205	<b>Transaxle-Automatic</b>		
1983-1981	18i:		<b>Front Pump</b>		
	Seal .....	18997	1987-1983	Alliance, Encore & GTA:	
	Bearing (Inner) .....	BR30205		Seal .....	16528
1983-1981	R18:			(Speedi-Sleeve) .....	99169
	Bearing (Inner) .....	BR30205	1986-1980	Fuego & 18i:	
	Bearing (Outer) .....	BR30204		Seal .....	18877
1982	Fuego w/1.6L Eng. w/o Turbo Thru Chas. 18400:			(Speedi-Sleeve) .....	99189
	Seal .....	18997	<b>Output Shaft</b>		
	Bearing (Inner) .....	BR30205	1986-1983	Fuego & 18i:	
1977-1976	LeCar R1228 Thru Chas. 9616:			Seal .....	10188
	Seal .....	18997		(Speedi-Sleeve) .....	99103
	Bearing (Inner) .....	BR30205	1982-1980	18i:	
1975-1970	R12:			Seal .....	10191
	Bearing (Inner) .....	BR30205		(Speedi-Sleeve) .....	99103
	Bearing (Outer) .....	BR30204	<b>Transaxle-Manual</b>		
1972-1969	R16 & R16TS:		<b>Input Shaft</b>		
	Bearing (Inner) .....	BR30205	1984-1976	LeCar:	
	Bearing (Outer) .....	BR30204		Seal .....	6610
1971-1969	R10:			(Speedi-Sleeve) .....	99068
	Bearing (Inner) .....	BR30205	<b>Output Shaft</b>		
1968	R1152:		1986-1980	Fuego & 18i:	
	Bearing .....	[2] BR30205		Seal .....	10188
1967-1960	Caravelle & Dauphine:			(Speedi-Sleeve) .....	99103
	Bearing (Outer) .....	6305-ZJ	1984-1976	LeCar:	
1967-1952	R1100, R1101, R1102, R1103 & R1104:			Seal .....	14027
	Bearing (Inner) .....	6306-J		(Speedi-Sleeve) .....	99146
	Bearing (Outer) .....	6206-J	<b>Transmission-Manual</b>		
1966-1960	Gordini:		<b>Front</b>		
	Bearing (Outer) .....	6305-ZJ	1976-1970	R12:	
1964-1952	R1090 & R1092:			Bearing .....	BR32304
	Bearing .....	[2] 6305-J	1975-1965	R16 & R16TS:	
1963-1954	Fregate Exc. Model 1101-3:			Bearing .....	BR32304
	Bearing (Inner) .....	6306-J	1971-1969	R10 w/o 3 Spd. Trans.:	
1963-1954	Fregate:			Bearing .....	BR30204
	Bearing (Outer) .....	6206-J	1967-1952	Caravelle, Dauphine, Gordini, R1090, R1092 & R1152:	
<b>Differential</b>				Bearing .....	BR30203
1986-1976	Fuego, R18 & 18i:		<b>Rear</b>		
	Bearing .....	BR30207	1975-1965	R16 & R16TS:	
1984-1976	LeCar:			Bearing .....	BR32304
	Seal .....	14024	1971-1969	R10:	
	(Speedi-Sleeve) .....	99146		Bearing .....	BR30203
	Bearing .....	BR30207	1967-1956	Caravelle, Dauphine & Gordini:	
1978-1965	R10, R12, R16 & R16TS:			Bearing .....	BR30203
	Bearing .....	BR30207	<b>Alternator</b>		
1967-1952	Caravelle, Dauphine, R1090 & R1092:		1987-1983	Ducellier 60 Amp.:	
	Bearing .....	BR30206		Bearing (Front) .....	6204-2RSJ
			(Continued)		

**Renault -- (Cont.)**

MFG./YEAR	MODEL & LOCATION	PART NO.	MFG./YEAR	MODEL & LOCATION	PART NO.
<b>Alternator (Cont.)</b>			<b>Engine (Cont.)</b>		
1987-1983	Paris-Rhone 50/60 Amp. w/Assy. A13N106, 116:		<b>Crankshaft-Rear (Cont.)</b>		
	Bearing (Rear) .....	6200-RSJ	1985-1980	1.6L Eng.:	
1987-1983	Paris-Rhone 50/60 Amp. w/Assy. A14N89, 99:			Seal .....	31511
	Bearing (Rear) .....	6201-2RSJ		(Speedi-Sleeve) .....	99317
1987-1980	Ducellier 70 Amp. w/Assy. 513020A-E:		<b>Timing Cover</b>		
	Bearing (Front) .....	6204-2RSJ	1987-1984	1.7L & 2.0L Engs.:	
	Bearing (Rear) .....	6201-2RSJ		Seal .....	19611
1987-1980	Ducellier 70 Amp. w/Assy. 516042A:			(Speedi-Sleeve) .....	99196
	Bearing (Front) .....	6204-2RSJ	1987-1980	2.2L Eng.:	
1986-1976	S.E.V. Marchal:			Seal .....	19611
	Bearing (Rear) .....	6200-2RSJ		(Speedi-Sleeve) .....	99196
1985-1976	Ducellier 50 Amp.:		1987-1976	1.4L Eng.:	
	Bearing (Front) .....	6203-2RSJ		Seal .....	13943
	Bearing (Rear) .....	6201-2RSJ		(Speedi-Sleeve) .....	99139
1985-1976	Motorola:		1985-1980	1.6L Eng.:	
	Bearing (Front) .....	6203-2RSJ		Seal .....	17629
	Bearing (Rear) .....	6200-2RSJ		(Speedi-Sleeve) .....	99177
<b>Drive Shaft</b>			<b>Generator</b>		
1961-1954	Fregate 1101-3 (1st Series):		1975-1966	R10 & R12 w/Ducellier:	
	Bearing .....	6205-J		Bearing (Front) .....	6203-RSJ
<b>Engine</b>				Bearing (Rear) .....	6203-RSJ
<b>Auxiliary Shaft</b>			1975-1966	R10 w/Bosch:	
1987-1980	1.7L & 2.2L Engs.:			Bearing (Front) .....	6203-J
	Seal .....	11606		Bearing (Rear) .....	6203-ZJ
	(Speedi-Sleeve) .....	99114	1967-1965	R10:	
<b>Camshaft</b>				Bearing .....	6202-ZJ
1987	1.7L & 2.2L Engs.:		1967-1952	Caravelle, Dauphine & Gordini:	
	Seal (Front) .....	9729		Bearing (Front) .....	6203-J
	(Speedi-Sleeve) .....	99098		Bearing (Rear) .....	6203-J
1987-1980	2.2L Eng.:		1963-1956	Fregate:	
	Seal .....	13945		Bearing (Front) .....	6202-J
	(Speedi-Sleeve) .....	99139		Bearing (Rear) .....	6202-J
1986-1984	1.7L Eng.:		<b>Steering-Power</b>		
	Seal (Front) .....	9729	<b>Pump Shaft</b>		
	(Speedi-Sleeve) .....	99098	1987-1983	1.4L Eng.:	
1984-1976	1.4L Eng.:			Seal .....	7475
	Seal .....	11611	<b>Steering-Standard</b>		
	(Speedi-Sleeve) .....	99114	1963-1956	Dauphine:	
<b>Crankshaft-Rear</b>				Bearing (Lower) .....	6203-J
1987-1984	1.7L & 2.0L Engs.:		<b>Wheel Front</b>		
	Seal .....	35409	1971-1962	Elf:	
	(Speedi-Sleeve) .....	99354		Seal .....	13649
1987-1980	2.2L Eng.:		1969-1962	4/72:	
	Seal .....	35409		Seal .....	19264
	(Speedi-Sleeve) .....	99354	1968-1957	1.5:	
1987-1976	1.4L Eng.:			Seal .....	17386
	Seal .....	31511		(Continued)	
	(Speedi-Sleeve) .....	99317	<b>Wheel Rear</b>		

**Riley**

<b>Wheel Front</b>		
1971-1962	Elf:	
	Seal .....	18962
1965-1957	1.5:	
	Seal .....	13649

<b>Wheel Rear</b>		
1971-1962	Elf:	
	Seal .....	13649
1969-1962	4/72:	
	Seal .....	19264
1968-1957	1.5:	
	Seal .....	17386
	(Continued)	

MFG./YEAR	MODEL & LOCATION	PART NO.	MFG./YEAR	MODEL & LOCATION	PART NO.
<b>Wheel Rear (Cont.)</b>			<b>Transmission-Automatic (Cont.)</b>		
1961-1959 4/68:			<b>Rear</b>		
	Seal .....	19264	1961-1957 2.6:		
1961-1957 2.6:			Seal .....		
	Seal .....	21098	(Speedi-Sleeve) .....		
<b>Pinion</b>			15620		
1969-1957 1.5, 4/68 & 4/72:			99156		
	Seal .....	15142	<b>Engine</b>		
	(Speedi-Sleeve) .....	99149	<b>Timing Cover</b>		
	(Speedi-Sleeve/Seal Kit) .....	480151	1961-1957 2.6:		
<b>Transmission-Automatic</b>			Seal .....		
<b>Front Pump</b>			19220		
1961-1957 2.6:			(Speedi-Sleeve) .....		
	Seal .....	21098	99193		
	(Speedi-Sleeve) .....	99212			

**Rolls Royce**

<b>Wheel Front</b>			<b>Transmission-Automatic</b>		
1988-1965 Exc. Phantom:			<b>Front Pump</b>		
	Bearing (Inner) .....	LM29749/LM29710	1988-1968 THM400 Trans.:		
	Bearing (Outer) .....	BR4	Seal .....		
	(Set Components) .....	L44649/L44610	(Speedi-Sleeve) .....		
1970-1966 Phantom:			18692		
	Bearing (Inner) .....	BR2788/BR2720	99187		
	Bearing (Outer) .....	BR15112/15250-X	<b>Rear</b>		
<b>Wheel Rear</b>			1988-1968 THM400 Trans.:		
1988-1965 Exc. Phantom:			Seal .....		
	Bearing (Inner) .....	BR18790/BR18720	18992		
	Bearing (Outer) .....	BR18690/BR18620	<b>Shift Shaft</b>		
<b>Pinion</b>			1988-1968 THM400 Trans.:		
1988-1965 Exc. Phantom:			Seal .....		
	Bearing (Front) .....	HM88649/HM88610	4912		
	Bearing (Rear) .....	HM903249/HM903210	(Speedi-Sleeve) .....		
<b>Differential</b>			(Speedi-Sleeve/Seal Kit) .....		
1988-1965 Exc. Phantom:			480050		
	Bearing (L.H.) .....	BR29590/BR29520			
	Bearing (R.H.) .....	368-A/362-A			
1970-1966 Phantom:					
	Bearing (L.H.) .....	BR28584/BR28521			

**Rover**

<b>Wheel Front</b>			<b>Wheel Front (Cont.)</b>		
1994-1993 Defender:			1981-1980 Land Rover:		
	Bearing .....	BR37	Bearing .....		
	(Set Components) .....	LM603049/LM603011	[2] BR37		
	Bearing Kit .....	WKH3421	(Set Components) .....		
1994-1970 Range Rover:			LM603049/LM603011		
	Bearing .....	[2] BR37	Bearing Kit .....		
	(Set Components) .....	LM603049/LM603011	WKH3421		
	Bearing Kit .....	WKH3421	<b>1979-1968 3500:</b>		
1981-1980 3500:			Bearing (Inner) .....		
	Seal .....	18962	BR6		
	Bearing (Inner) .....	BR6	(Set Components) .....		
	(Set Components) .....	LM67048/LM67010	LM67048/LM67010		
	Bearing (Outer) .....	BR2	Bearing (Outer) .....		
	(Set Components) .....	LM11949/LM11910	BR2		
<b>1976-1964 2000 &amp; 2200:</b>			(Set Components) .....		
	Bearing (Inner) .....	BR6	LM11949/LM11910		
	(Set Components) .....	LM67048/LM67010	(Continued)		
	Bearing (Outer) .....	BR2			
	(Set Components) .....	LM11949/LM11910			

**Rover -- (Cont.)**

MFG./YEAR	MODEL & LOCATION	PART NO.	MFG./YEAR	MODEL & LOCATION	PART NO.
<b>Wheel Front (Cont.)</b>			<b>Differential</b>		
1973-1958	3.0L & 3.5L Engs.:		1992-1970	Range Rover:	
	Seal .....	17387		Bearing .....	[2] BR2788/2729-X
	Bearing (Inner) .....	14125-A/BR14274	1989-1965	Land Rover:	
	Bearing (Outer) .....	BR09067/BR09195		Bearing .....	[2] BR2788/2729-X
1971-1963	Land Rover 88 & 109 Series II & IIA:		1980-1976	3500:	
	Seal (Inner) .....	17386		Bearing .....	LM29749/LM29710
1971-1958	Land Rover 109 F.C. Series IIA:		1976-1965	2000 & 2200:	
	Seal (Inner) .....	17386		Bearing .....	[2] BR35
<b>Wheel Rear</b>				(Set Components) .....	LM501349/LM501310
1995	Discovery:		1975-1968	3500:	
	Bearing .....	BR37		Bearing .....	[2] BR35
	(Set Components) .....	LM603049/LM603011		(Set Components) .....	LM501349/LM501310
1995-1994	Defender 90:		1973-1965	3.0L & 3.5L Engs.:	
	Bearing .....	BR37		Bearing .....	[2] BR2788/2729-X
	(Set Components) .....	LM603049/LM603011	<b>Transmission-Manual</b>		
1995-1970	Range Rover:		<b>Front</b>		
	Bearing .....	BR37	1981-1980	3500:	
	(Set Components) .....	LM603049/LM603011		Seal .....	16692
1993	Defender:			(Speedi-Sleeve) .....	99168
	Bearing .....	BR37	1971-1963	Land Rover & 109 F.C. Series IIA:	
	(Set Components) .....	LM603049/LM603011		Seal .....	19350
1981-1980	3500:			(Speedi-Sleeve) .....	99193
	Seal .....	16525	1971-1959	3.0L & 3.5L w/MKI, MKIA & MKII:	
1976-1964	2000 & 2200:			Seal .....	21098
	Bearing .....	BR18690/BR18620		(Speedi-Sleeve) .....	99212
1975-1968	3500:		1971-1958	Land Rover 88 & 109 Series II & IIA:	
	Bearing .....	BR18690/BR18620		Seal .....	19350
1971-1959	3.0L & 3.5L Engs.:			(Speedi-Sleeve) .....	99193
	Seal .....	18657	<b>Rear</b>		
1963-1959	95 & 110 MKI, II, III & IV:		1971-1963	Land Rover & 109 F.C. Series IIA:	
	Seal .....	18657		Seal .....	16245
<b>Pinion</b>				(Speedi-Sleeve) .....	99162
<b>Front Axle</b>			1971-1959	3.0L, 3.5L MKI, MKIA, MKII Std. w/4 Spd. MKI & MKIA:	
1980-1976	3500:			Seal .....	17557
	Bearing (Front) .....	HM88649/HM88610		(Speedi-Sleeve) .....	99174
	Bearing (Rear) .....	M88046/M88010	1971-1959	Auto.:	
1976-1965	2000 & 2200:			Seal .....	15620
	Bearing (Front) .....	M88043/M88010		(Speedi-Sleeve) .....	99156
	Bearing (Rear) .....	HM89449/HM89410	1971-1958	Land Rover 88 & 109 Series II & IIA:	
1971-1963	Land Rover 109 F.C. IIA:			Seal .....	16245
	Seal .....	17557		(Speedi-Sleeve) .....	99162
	(Speedi-Sleeve) .....	99174	<b>Engine</b>		
1971-1958	Land Rover 88 & 109 Series II & IIA:		<b>Crankshaft-Rear</b>		
	Seal .....	17557	1981-1980	3500:	
	(Speedi-Sleeve) .....	99174		Seal .....	32330
<b>Rear Axle</b>				(Speedi-Sleeve) .....	99325
1971-1968	3.5L Eng.:		<b>Timing Cover</b>		
	Seal .....	17557	1971-1963	Land Rover 109 F.C. Series IIA:	
	(Speedi-Sleeve) .....	99174		Seal .....	19220
1971-1963	Land Rover 109 F.C. Series IIA:			(Speedi-Sleeve) .....	99193
	Seal .....	17557	1971-1959	3.0L & 3.5L Engs. MKI & II:	
	(Speedi-Sleeve) .....	99174		Seal .....	19220
1971-1959	3.0L Eng.:			(Speedi-Sleeve) .....	99193
	Seal .....	17557	1971-1958	Land Rover 88 & 109 Series II & IIA:	
	(Speedi-Sleeve) .....	99174		Seal .....	19220
	Bearing .....	BR3490/BR3420		(Speedi-Sleeve) .....	99193
1971-1958	Land Rover 88 & 109 Series II & IIA:		1963-1962	95 & 100 MKI:	
	Seal .....	17557		Seal .....	19220
	(Speedi-Sleeve) .....	99174		(Speedi-Sleeve) .....	99193
1962-1959	80 & 100 MKI, II & III:				(Continued)
	Seal .....	17557			
	(Speedi-Sleeve) .....	99174			

MFG./YEAR	MODEL & LOCATION	PART NO.	MFG./YEAR	MODEL & LOCATION	PART NO.
<b>Engine (Cont.)</b>			<b>Power Takeoff</b>		
<b>Timing Cover (Cont.)</b>			<b>Drive Shaft</b>		
1962-1959 80 & 100 MKI, II, III & IV:			1971-1958 Land Rover 88 & 106 Series II & IIA:		
Seal		19220	Seal		16245
(Speedi-Sleeve)		99193	(Speedi-Sleeve)		99162

**Saab**

**Wheel Front**

1995-1994 900 From 2/94:		
Sealed Bearing		FW180
C-Clip		CIR180
1995-1990 9000:		
Hub Assembly		BR930226
1994-1981 900 Thru 1/94:		
Sealed Bearing		FW109
1989-1986 9000:		
Hub Assembly		BR930100
1980-1969 99 w/o Turbo:		
Seal		18968
Bearing (Inner)		LM29749/LM29710
1978 99 w/Turbo:		
Sealed Bearing		FW109
1974-1967 97 (Sonnett):		
Seal		18968
Bearing	[2]	LM29749/LM29710

**Wheel Rear**

1995 9000:		
Hub Assembly		BR930226
1995-1994 900 From 2/94:		
Hub Assembly		BR930227
1985-1979 900:		
Seal		18877
Bearing (Inner)		BR17
(Set Components)		L68149/L68111
Bearing (Outer)		BR16
(Set Components)		LM12749/LM12711
1980-1974 99:		
Seal		14710
Bearing	[2]	BR4
(Set Components)		L44649/L44610
1974-1968 97 (Sonnett):		
Bearing	[2]	BR4
(Set Components)		L44649/L44610

**Pinion**

1980-1974 99 w/Auto. Transaxle:		
Seal		16078
(Speedi-Sleeve)		99162
Bearing (Front)		BR35
(Set Components)		LM501349/LM501310
1980-1974 99 w/Man. Transaxle:		
Bearing		BR52
(Set Components)		M88048/M88010

**Differential**

1990-1975 99, 900 & 9000:		
Bearing		BR35
(Set Components)		LM501349/LM501310
1974 99:		
Bearing		LM29749/LM29710

**Clutch**

**Pilot**

1995-1973 2.0L, 2.1L & 2.3L Engs.:		
Bearing		6202-2RSJ
1973-1967 95 & 96:		
Bearing		6005-J

**Release**

1995 9000:		
Bearing Only		N4006
1994-1980 900 Thru 1/94; 9000 w/O.E. Slave Cyl. #8722209 & 8729840:		
Bearing Only		N4006
1975-1974 99:		
Bearing Only		6208-ZJ
1974-1971 97 (Sonnett):		
Bearing Only		N1845
1973-1968 95 & 96:		
Bearing Only		N1845

**Transaxle-Automatic**

**Differential**

1995-1994 900 From 2/94:		
Bearing		32010-X
1994-1989 900 Thru 1/94:		
Bearing		BR35
(Set Components)		LM501349/LM501310
1994-1986 9000:		
Bearing	[2]	6006-J

**Front Pump**

1995-1994 900 From 2/94:		
Seal		14772
(Speedi-Sleeve)		99147
1994-1978 99; 900 Thru 1/94:		
Seal		16692
(Speedi-Sleeve)		99168
1977-1974 99:		
Seal		16719
(Speedi-Sleeve)		99168

**Output Shaft**

1995-1994 900 From 2/94:		
Seal		13750
(Speedi-Sleeve)		99138
1994-1981 900 Thru 1/94:		
Seal		13945
(Speedi-Sleeve)		99139
1993-1990 9000:		
Seal		14005
(Speedi-Sleeve)		99146
1989-1987 9000:		
Seal		14005
(Speedi-Sleeve)		99146

(Continued)

Saab -- (Cont.)

MFG./YEAR	MODEL & LOCATION	PART NO.	MFG./YEAR	MODEL & LOCATION	PART NO.
<b>Transaxle-Automatic (Cont.)</b>			<b>Alternator</b>		
<b>Output Shaft (Cont.)</b>			1995-1988 80 Amp.:		
1986	9000:		Bearing (Front) ..... 6303-2RSJ		
	Seal .....	13945	1987-1986 80 Amp.:		
	(Speedi-Sleeve) .....	99139	Bearing (Front) ..... 6303-2RSJ		
1980-1975	99:		1985-1981 70 Amp.:		
	Seal .....	13945	Bearing (Front) ..... 6303-2RSJ		
	(Speedi-Sleeve) .....	99139	Bearing (Rear) ..... 6201-2RSJ		
<b>Shift Shaft</b>			1980-1979 55 & 65 Amp. w/Turbo:		
1994-1986	9000:		Bearing (Front) ..... 6203-ZJ		
	Seal .....	4711	1980-1975 55 & 65 Amp. w/o Turbo:		
	(Speedi-Sleeve) .....	99049	Bearing (Front) ..... 6203-2RSJ		
<b>Transaxle-Manual</b>			Bearing (Rear) ..... 6201-2RSJ		
<b>Differential</b>			1980-1974 SEV Marchal:		
1995-1994	900 From 2/94:		Bearing (Front) ..... 6203-2RSJ		
	Bearing .....	32010-X	1974 35 Amp.:		
1994-1989	900 Thru 1/94:		Bearing (Front) ..... 6203-ZJ		
	Bearing .....	BR35	Bearing (Rear) ..... 6201-ZJ		
	(Set Components) .....	LM501349/LM501310	<b>Engine</b>		
1988-1981	900:		<b>Camshaft</b>		
	Bearing ..... [2]	6006-J	1995-1994 2.5L & 3.0L Engs.:		
<b>Input Shaft</b>			Seal .....		
1995-1994	900 From 2/94:		(Speedi-Sleeve) .....		
	Seal .....	10173	1995-1994 2.5L Eng.:		
	(Speedi-Sleeve) .....	99103	Seal .....		
1994-1981	900 Thru 1/94:		(Speedi-Sleeve) .....		
	Seal .....	8306	1980-1975 2.0L Eng.:		
1991-1986	9000:		Seal .....		
	Bearing .....	BR4	(Speedi-Sleeve) .....		
	(Set Components) .....	L44649/L44610	1974 1.7L Eng.:		
1980	99:		Seal .....		
	Seal .....	8306	(Speedi-Sleeve) .....		
1979-1978	99:		<b>Accessory Drive Belt Idler</b>		
	Seal .....	11067	1995-1993 2.0L & 2.3L Engs.:		
	(Speedi-Sleeve) .....	99112	Bearing (Tensioner) .....		
1977-1974	99:		VKM34502		
	Seal .....	11067	<b>Timing Belt Idler</b>		
	(Speedi-Sleeve) .....	99112	1995-1994 2.5L & 3.0L Engs.:		
<b>Output Shaft</b>			Bearing & Housing Assy. ....		
1995-1994	900 From 2/94:		VKM25500		
	Seal .....	13750	<b>Timing Belt Tensioner</b>		
	(Speedi-Sleeve) .....	99138	1995-1993 2.0L Eng.:		
1994-1991	900 Thru 1/94:		Bearing & Housing Assy. ....		
	Seal .....	13945	VKM34500		
	(Speedi-Sleeve) .....	99139	1995-1994 2.5L & 3.0L Engs.:		
1994-1986	9000:		Bearing & Housing Assy. ....		
	Seal .....	13945	VKM15500		
	(Speedi-Sleeve) .....	99139	<b>Timing Belt and Tensioner Kit</b>		
1980-1975	99:		1995-1994 2.5L & 3.0L Engs.:		
	Seal .....	13945	Bearing & Housing Assy. Kit .....		
	(Speedi-Sleeve) .....	99139	VKMA05500		
<b>Pinion</b>			<b>Timing Cover</b>		
1995-1989	900:		1995 3.0L Eng.:		
	Bearing (Front) .....	BR52	Seal .....		
	(Set Components) .....	M88048/M88010	(Speedi-Sleeve) .....		
	Bearing (Rear) .....	HM88649/HM88610	1995-1981 2.0L, 2.1L & 2.3L Engs.:		
1988-1981	900:		Seal .....		
	Bearing ..... [2]	BR52	1995-1994 2.5L Eng.:		
	(Set Components) .....	M88048/M88010	Seal .....		

MFG./YEAR	MODEL & LOCATION	PART NO.	MFG./YEAR	MODEL & LOCATION	PART NO.
<b>Wheel Front</b>			<b>Transaxle-Manual</b>		
1995-1994 S Series:			<b>Differential</b>		
	Sealed Bearing .....	FW168	1995-1991 S Series:		
	Hub Assembly (Kit) .....	BR930156K		Bearing .....	6208-J
1993-1991 All:			<b>Input Shaft</b>		
	Sealed Bearing .....	FW168	1995-1991 S Series:		
	Hub Assembly (Kit) .....	BR930155K		Bearing .....	6206-VSP63
<b>Axle Shaft</b>			<b>Output Shaft</b>		
1995-1991 All:			1995-1991 S Series:		
	Seal (L.H.) .....	13853		Bearing (Inner) .....	6206-VSP63
	Seal (R.H.) .....	13750		Bearing (Outer) .....	F213118
<b>Wheel Rear</b>			<b>Engine</b>		
1995-1991 S Series w/o ABS:			<b>Crankshaft-Rear</b>		
	Hub Assembly .....	BR930053	1995-1991 S Series:		
1995-1991 S Series w/ABS:				Seal .....	29862
	Hub Assembly .....	BR930089		(Speedi-Sleeve) .....	99298
<b>Clutch</b>			<b>Timing Cover</b>		
<b>Release</b>			1995-1991 S Series:		
	Bearing Assembly .....	N4084		Seal .....	15345
<b>Transaxle-Automatic</b>				(Speedi-Sleeve) .....	99157
<b>Differential</b>			<b>Steering-Power</b>		
1995-1991 S Series:			<b>Pump Shaft</b>		
	Bearing .....	6208-J	1995-1991 All:		
<b>Front Pump</b>				Seal .....	7475
1995-1991 S Series:					
	Seal .....	16481			
	(Speedi-Sleeve) .....	99169			
<b>Output Shaft</b>					
1995-1991 S Series:					
	Seal (L.H.) .....	13853			
	Seal (R.H.) .....	13750			
	(Speedi-Sleeve) (R.H.) .....	99138			
<b>Shift Shaft</b>					
1995-1994 From Vin. RZ141472:					
	Seal .....	5606			
	(Speedi-Sleeve) .....	99056			
1994-1991 Thru Vin. RZ141471:					
	Seal .....	5413			
	(Speedi-Sleeve) .....	99055			

Simca Ariane, Aronde 1200, Aronde 1300, Vedette, 1000, 1100

<b>Wheel Front</b>			<b>Wheel Front (Cont.)</b>		
1971-1955 Aronde 1300:			1961-1957 Aronde:		
	Seal .....	550199		Seal .....	550199
1970-1968 1100:				Bearing (Inner) .....	BR30305
	Bearing (Inner) .....	BR4		Bearing (Outer) .....	BR30204
	(Set Components) .....	L44649/L44610	<b>Wheel Rear</b>		
	Bearing (Outer) .....	BR1	1975-1968 900, 1000, 1100, 1200, 1307 & 1308:		
	(Set Components) .....	LM11749/LM11710		Bearing (Inner) .....	BR4
1967-1962 1000:				(Set Components) .....	L44649/L44610
	Bearing (Inner) .....	BR4		Bearing (Outer) .....	BR30204
	(Set Components) .....	L44649/L44610	1971-1955 Aronde 1300:		
1963-1957 Ariane & Vedette:				Seal .....	550199
	Bearing (Inner) .....	BR15590/BR15520	1967-1964 1000:		
	Bearing (Outer) .....	BR2		Bearing (Inner) .....	BR4
	(Set Components) .....	LM11949/LM11910		(Set Components) .....	L44649/L44610
			(Continued)		

## Passenger cars, light & medium trucks

### Simca Ariane, Aronde 1200, Aronde 1300, Vedette, 1000, 1100 -- (Cont.)

MFG./YEAR	MODEL & LOCATION	PART NO.	MFG./YEAR	MODEL & LOCATION	PART NO.
<b>Wheel Rear (Cont.)</b>			<b>Transmission-Manual</b>		
<b>1966-1957 Aronde:</b>			<b>Front</b>		
	Seal .....	550199	<b>1963-1957 Ariane &amp; Vedette:</b>		
	Bearing .....	6306-J		Bearing .....	6207-J
<b>1963-1957 Ariane:</b>			<b>Generator</b>		
	Bearing (Inner) .....	6307-J	<b>1966-1957 Aronde:</b>		
<b>Clutch</b>				Bearing .....	6202-J
<b>Pilot</b>			<b>1963-1957 Ariane &amp; Vedette:</b>		
<b>1966-1957 Aronde:</b>				Bearing .....	6203-J
	Bearing .....	6202-J			
<b>1963-1957 Ariane:</b>					
	Bearing .....	6203-2ZJ			

### Singer Chamois, Gazelle, 1000, 1204

<p><b>Wheel Front</b></p> <p><b>1970-1967 Chamois:</b></p> <p>Bearing (Outer) ..... <b>BR2</b> (Set Components) ..... LM11949/LM11910</p> <p><b>1966-1956 Gazelle:</b></p> <p>Bearing (Inner) ..... <b>BR21</b> (Set Components) ..... BR1988/BR1922</p> <p>Bearing (Outer) ..... <b>BR2</b> (Set Components) ..... LM11949/LM11910</p> <p><b>Wheel Rear</b></p> <p><b>1966-1956 Gazelle:</b></p> <p>Seal ..... <b>19832</b></p> <p><b>Pinion</b></p> <p><b>1970-1967 Chamois Sport Coupe:</b></p> <p>Bearing ..... <b>BR21075/BR21212</b></p> <p><b>1970-1966 Mark II:</b></p> <p>Bearing ..... <b>BR21075/BR21212</b></p> <p><b>1970-1956 Gazelle &amp; Gazelle 1600-Series I Thru IIIA:</b></p> <p>Seal ..... <b>16406</b> (Speedi-Sleeve) ..... 99162</p>	<p><b>Differential</b></p> <p><b>1963-1956 Gazelle:</b></p> <p>Bearing ..... <b>BR16150/BR16284</b></p> <p><b>Transmission-Manual</b></p> <p><b>1963-1956 Gazelle:</b></p> <p>Bearing (Front) ..... <b>6208-J</b> Bearing (Rear) ..... <b>6306-NRJ</b></p> <p><b>Engine</b></p> <p><b>Timing Cover</b></p> <p><b>1970-1965 Chamois:</b></p> <p>Seal ..... <b>14938</b> (Speedi-Sleeve) ..... 99149</p>
---	--

### Skoda (Canadian Models) 120GLS, 130 Rapid, 135GLI, Fabia, Octavia, SuperB

<p><b>Wheel Front</b></p> <p><b>1990-1987 All:</b></p> <p>Bearing (Outer) ..... <b>BR30304</b></p> <p><b>Differential</b></p> <p><b>1990-1987 All:</b></p> <p>Bearing ..... [2] <b>32014-X</b></p> <p><b>Clutch</b></p> <p><b>Pilot</b></p> <p><b>1990-1987 1.2L &amp; 1.3L Engs.:</b></p> <p>Bearing ..... <b>6202-2ZJ</b></p>	<p><b>Alternator</b></p> <p><b>1990-1987 All:</b></p> <p>Bearing (Front) ..... <b>6303-2RSJ</b> Bearing (Rear) ..... <b>6201-2RSJ</b></p> <p><b>Steering-Standard</b></p> <p><b>Worm Shaft</b></p> <p><b>1990-1987 All:</b></p> <p>Bearing ..... <b>6203-J</b></p>
---	--

### Sterling

<p><b>Wheel Front</b></p> <p><b>1991-1987 All:</b></p> <p>Sealed Bearing ..... <b>FW117</b></p>	<p><b>Wheel Rear</b></p> <p><b>1988-1987 All:</b></p> <p>Sealed Bearing ..... <b>GRW149</b> (Continued)</p>
---	---



MFG./YEAR	MODEL & LOCATION	PART NO.	MFG./YEAR	MODEL & LOCATION	PART NO.
<b>Differential</b>			<b>Transaxle-Manual</b>		
1988-1987	Auto. Trans.:		<b>Input Shaft</b>		
	Bearing .....	BR30208	1988-1987	All:	
1988-1987	Man. Trans.:		Seal .....		14024
	Bearing (L.H.) .....	32008-X	(Speedi-Sleeve) .....		99146
<b>Clutch</b>			<b>Output Shaft</b>		
<b>Release</b>			1988-1987	All:	
1988-1987	All:		Seal .....		15829
	Bearing Assembly .....	N4045	(Speedi-Sleeve) .....		99157
<b>Transaxle-Automatic</b>			<b>Engine</b>		
<b>Front Pump</b>			<b>Camshaft</b>		
1988-1987	All:		1988-1987	2.5L Eng.:	
	Seal .....	17166	Seal .....		13946
<b>Output Shaft</b>			(Speedi-Sleeve) .....		99139
1988-1987	All:		<b>Crankshaft-Rear</b>		
	Seal .....	15829	1988-1987	2.5L Eng.:	
(Speedi-Sleeve) .....		99157	Seal .....		31507
			(Speedi-Sleeve) .....		99315

**Studebaker Passenger Cars**

<b>Wheel Front</b>			<b>Differential (Cont.)</b>		
1966-1956	All:		1964-1959	Type 44 Axle:	
	Seal .....	16069	Bearing .....		BR25577/BR25523
	Bearing (Inner) .....	BR6	1960-1959	Type 23 Axle:	
	(Set Components) .....	LM67048/LM67010	Bearing .....		BR24780/BR24721
	Bearing (Outer) .....	BR2	<b>Clutch</b>		
	(Set Components) .....	LM11949/LM11910	<b>Release</b>		
1950	Commander:		1964-1958	8 Cyl. Eng. Exc. Taxi:	
	Seal .....	17359	Bearing Only .....		N1136
<b>Wheel Rear</b>			1957-1947	Commander, Power Hawk, President & Sky Hawk:	
1966-1945	w/o 304 Eng.:		Bearing Only .....		N1136
	Seal .....	13165	<b>Transmission-Automatic</b>		
	Bearing .....	14132-T/BR14276	<b>Front Pump</b>		
1964	304 Eng.:		1966-1963	Flight-O-Matic w/6 Cyl. Eng. Early 1963:	
	Bearing .....	14132-T/BR14276	Seal .....		19240
1950-1947	Commander:		(Speedi-Sleeve) .....		99193
	Seal .....	13710	1966-1963	Flight-O-Matic w/o H.D. Trans. Late '63:	
<b>Pinion</b>			Seal .....		16696
1966-1960	w/o Type 27 Axle:		(Speedi-Sleeve) .....		99168
	Seal .....	15788	1966-1963	Flight-O-Matic H.D. Trans.:	
	(Speedi-Sleeve) .....	99155	Seal .....		19240
	Bearing (Front) .....	BR02872/BR02820	(Speedi-Sleeve) .....		99193
	Bearing (Rear) .....	BR31594/BR31520	1966-1963	Flight-O-Matic w/8 Cyl. Eng.:	
1966-1959	Type 27 Axle:		Seal .....		19240
	Seal .....	15788	(Speedi-Sleeve) .....		99193
	(Speedi-Sleeve) .....	99155	1966-1951	Exc. Flight-O-Matic, SC V8 Eng., Ultramatic:	
	Bearing (Front) .....	M86647/M86610	Seal .....		21098
	Bearing (Rear) .....	HM88649/HM88610	(Speedi-Sleeve) .....		99212
1959-1946	w/o Type 27 Axle:		1962-1951	Flight-O-Matic Trans.:	
	Bearing (Front) .....	BR02872/BR02820	Seal .....		19240
	Bearing (Rear) .....	BR31594/BR31520	(Speedi-Sleeve) .....		99193
<b>Differential</b>			1958-1957	SC V8 Eng.:	
1966-1965	Type 44 Axle w/Flanged Shaft:		Seal .....		12456
	Bearing .....	BR25590/BR25523	(Speedi-Sleeve) .....		99125
1966-1965	Type 44 Axle w/Tapered Shaft:		(Speedi-Sleeve/Seal Kit) .....		480125
	Bearing .....	BR25577/BR25523			(Continued)
1966-1959	Type 27 Axle:				
	Bearing .....	LM501349/LM501311			

Studebaker Passenger Cars -- (Cont.)

MFG./YEAR	MODEL & LOCATION	PART NO.	MFG./YEAR	MODEL & LOCATION	PART NO.
<b>Transmission-Automatic (Cont.)</b>			<b>Transmission-Manual (Cont.)</b>		
<b>Front Pump (Cont.)</b>			<b>Rear (Cont.)</b>		
1956	Ultramatic Trans.:		1964-1961	4 Spd. Trans.:	
	Seal .....	21134		Seal .....	15041
	(Speedi-Sleeve) .....	99212		(Speedi-Sleeve) .....	99149
				(Speedi-Sleeve/Seal Kit) .....	480150
				Bearing .....	6307-NRJ
<b>Rear</b>			<b>1964-1959 O/D Trans.:</b>		
1966-1958	All:			Bearing .....	6206-J
	Seal .....	15005	<b>1964-1959 89 Trans.:</b>		
	(Speedi-Sleeve) .....	99149		Seal .....	16871
	(Speedi-Sleeve/Seal Kit) .....	480152		(Speedi-Sleeve) .....	99168
1958-1956	Flight-O-Matic Trans. Exc. Golden Hawk:			Bearing .....	307-J
	Bearing .....	6307-NRJ	<b>1964-1959 90 Trans.:</b>		
1957-1951	All:			Seal .....	15005
	Seal .....	15620		(Speedi-Sleeve) .....	99149
	(Speedi-Sleeve) .....	99156		(Speedi-Sleeve/Seal Kit) .....	480152
1957-1947	Exc. Flight-O-Matic, Ultramatic Trans.:		<b>1958 T85 Trans.:</b>		
	Bearing .....	6206-NRJ		Seal .....	15005
1956	Golden Hawk w/Ultramatic Trans.:			(Speedi-Sleeve) .....	99149
	Seal .....	16201		(Speedi-Sleeve/Seal Kit) .....	480152
	Bearing .....	6206-J		Bearing .....	307-J
<b>Shift Shaft</b>			<b>1958-1957 8 Cyl. Eng.:</b>		
1966-1956	All:			Bearing .....	6207-J
	Seal .....	7556	<b>1958-1957 6 Cyl. Eng.:</b>		
	(Speedi-Sleeve) .....	99076		Bearing .....	6206-J
1955-1954	All:		<b>1957-1956 T85 Trans.:</b>		
	Seal .....	4938		Seal .....	15620
	(Speedi-Sleeve) .....	99050		(Speedi-Sleeve) .....	99156
<b>Transmission-Manual</b>				Bearing .....	307-J
<b>Countershaft</b>			<b>1957-1946 O/D Trans.:</b>		
1966-1959	T86, T90 & T96 Trans.:			Bearing .....	6206-J
	Bearing .....	[44] C407-Q	<b>Drive Shaft</b>		
<b>Front</b>			<b>1964-1949 All:</b>		
1966-1959	T86 & T96 Trans.:			Bearing Only .....	BR88107
	Bearing .....	207-NRJ	<b>Engine</b>		
1964-1961	4 Spd. Trans.:		<b>Timing Cover</b>		
	Bearing .....	6307-NRJ	<b>1966-1965 GM Eng.:</b>		
1964-1959	T89 Trans.:			Seal .....	17286
	Bearing .....	6307-NRJ		(Speedi-Sleeve) .....	99176
1964-1959	T90 Trans.:			(Speedi-Sleeve/Seal Kit) .....	480177
	Bearing .....	207-NRJ	<b>Steering-Power</b>		
1958-1956	Exc. T85 Trans.:		<b>Housing</b>		
	Bearing .....	207-NRJ	<b>1959-1953 All:</b>		
1958-1956	T85 Trans.:			Seal .....	8660
	Bearing .....	6307-NRJ	<b>Pitman Shaft</b>		
<b>Mainshaft Pilot</b>			<b>1966-1951 All:</b>		
1966-1955	T86 & T90 Trans.:			Seal .....	4938
	Bearing .....	[14] QBR23549	<b>Pump Shaft</b>		
1964-1955	T96 Trans.:		<b>1966-1963 All:</b>		
	Bearing .....	[13] C1110-Q		Seal .....	7465
<b>Rear</b>			<b>1962-1960 All:</b>		
1966-1959	T96 Trans.:			Seal .....	7440
	Seal .....	15005	<b>1959-1958 All:</b>		
	(Speedi-Sleeve) .....	99149		Seal .....	7475
	(Speedi-Sleeve/Seal Kit) .....	480152			(Continued)
1966-1959	T86 Trans.:				
	Seal .....	15005			
	(Speedi-Sleeve) .....	99149			
	(Speedi-Sleeve/Seal Kit) .....	480152			
	Bearing .....	207-NRJ			

MFG./YEAR	MODEL & LOCATION	PART NO.	MFG./YEAR	MODEL & LOCATION	PART NO.
<b>Steering-Standard Housing</b>			<b>Steering-Standard (Cont.) Pitman Shaft</b>		
1966-1957	SL Gear Type:		1965-1959	All:	
	Seal .....	11065		Seal .....	11067
1964-1963	Avanti:				
	Seal .....	11065			
1963	TL Gear Type (Export):				
	Seal .....	9837			
1960-1959	TL Gear Type:				
	Seal .....	9243			
1958-1947	TA-TL Gear Type:				
	Seal .....	9243			

**Studebaker Light Truck**

**Wheel Front**

1964-1958 Models 1, 2, 3, 6, 7 & 8 w/4 W/D:  
Seal ..... 14864

1964-1956 Std. Late '56 Models 10, 11 & 12:  
Seal ..... 17599

1964-1956 H.D. Late '56 Models 10, 11 & 12:  
Seal ..... 18808  
Bearing (Inner) ..... BR13685/BR13621  
Bearing (Outer) ..... BR3  
(Set Components) ..... M12649/M12610

1964-1956 Late '56 Models 10, 11 & 12 w/4 W/D:  
Seal ..... 22390  
Bearing ..... BR37  
(Set Components) ..... LM603049/LM603011

1964-1956 Models 13, 14 & 15 w/4 W/D:  
Seal ..... 24931

1964-1956 Std. Models 1, 2, 3, 6 & 7 w/o 4 W/D:  
Seal ..... 17359  
Bearing (Inner) ..... BR6  
(Set Components) ..... LM67048/LM67010  
Bearing (Outer) ..... BR2  
(Set Components) ..... LM11949/LM11910

1964-1956 Exc. 4 W/D Models 13, 14 & 15:  
Seal ..... 18808  
Bearing (Inner) ..... BR2788/BR2726  
Bearing (Outer) ..... BR1380/BR1328

1964-1954 Std. Late '54 Model 5 w/o 4 W/D:  
Seal ..... 17359  
Bearing (Inner) ..... BR6  
(Set Components) ..... LM67048/LM67010  
Bearing (Outer) ..... BR2  
(Set Components) ..... LM11949/LM11910

1954-1949 w/o 4 W/D:  
Bearing (Inner) ..... BR15123/BR15245  
Bearing (Outer) ..... BR09067/BR09195

1954-1946 4 W/D Early '54 Model 5:  
Seal ..... 17617

**Wheel Rear**

1964-1956 Models 1, 2, 3, 5, 6 & 7:  
Seal (Inner) ..... 13862  
Bearing (Outer) ..... BR25877/BR25821

1964-1956 Models 4 & 8:  
Bearing (Outer) ..... BR25877/BR25821

1964-1956 Models 10, 11 & 12 Early '56:  
Seal (Outer) ..... 23779

**Wheel Rear (Cont.)**

1964-1956 Models 10, 11 & 12 Late '56:  
Seal (Outer) ..... 23755  
Bearing (Outer) ..... BR18790/BR18720

1964-1955 Models 13, 14, 15 & 15A:  
Seal (Outer) ..... 27430

1955-1946 Models w/o Spring:  
Seal (Inner) ..... 13710

1955-1946 Models 1, 2, 3, 4, 6, 7 & 8:  
Bearing (Outer) ..... BR25877/BR25821

**Pinion Front Axle**

1964-1958 1 Ton 4 W/D:  
Seal ..... 25950  
Bearing ..... MU5206UM26

1962-1957 1/2 Ton 4 W/D:  
Seal ..... 15788  
(Speedi-Sleeve) ..... 99155  
Bearing ..... BR31594/BR31520

1958-1957 3/4 Ton 4 W/D:  
Seal ..... 15788  
(Speedi-Sleeve) ..... 99155  
Bearing ..... BR31594/BR31520

**Rear Axle**

1964-1962 1 Ton Rockwell Std. Axle:  
Seal ..... 21245  
(Speedi-Sleeve) ..... 99212  
Bearing ..... HM807044/HM807010

1964-1962 1 Ton Spicer Axle:  
Seal ..... 18888  
(Speedi-Sleeve) ..... 99187

1964-1956 3/4 Ton:  
Seal ..... 18888  
(Speedi-Sleeve) ..... 99187  
Bearing ..... HM807040/HM807010

1959 Early:  
Seal ..... 21213  
(Speedi-Sleeve) ..... 99212

1959 Late:  
Seal ..... 21245  
(Speedi-Sleeve) ..... 99212

1955-1954 3/4 Ton:  
Seal ..... 12456  
(Speedi-Sleeve) ..... 99125  
(Speedi-Sleeve/Seal Kit) ..... 480125

(Continued)

**Studebaker Light Truck -- (Cont.)**

MFG./YEAR	MODEL & LOCATION	PART NO.	MFG./YEAR	MODEL & LOCATION	PART NO.
<b>Pinion (Cont.)</b>			<b>Transmission-Automatic (Cont.)</b>		
<b>Rear Axle (Cont.)</b>			<b>Rear (Cont.)</b>		
1953-1949 All:			1958-1957 Flight-O-Matic Trans. Exc. Model 13:		
Seal		13739	Seal		15620
(Speedi-Sleeve)		99138	(Speedi-Sleeve)		99156
<b>Differential</b>			Bearing		
<b>Shifter</b>			1958-1957 Model 13:		
1964-1946 Exc. Models 14 & 15:			Seal		
Seal		12336	(Speedi-Sleeve)		99212
(Speedi-Sleeve)		99125	Bearing		6307-NRJ
Bearing		387-A/382-S	1956-1955 All:		
1964-1946 Models 14 & 15:			Seal		
Seal		15092	(Speedi-Sleeve)		99156
(Speedi-Sleeve)		99149	Bearing		6307-NRJ
<b>Clutch</b>			<b>Transmission-Manual</b>		
<b>Pilot</b>			<b>Countershaft</b>		
1965-1963 Model 15:			1965-1961 Models 5 & 10 w/3 Spd. Trans.:		
Bearing		6205-ZJ	Bearing		[44] C407-Q
<b>Release</b>			1965-1961 Model 15 w/5 Spd. Clark Trans.:		
1965-1955 w/o Clark & NP Trans.:			Bearing (Front)		
Bearing Only		N1136	Bearing (Rear)		M28161
<b>Transfer Case</b>			1965-1958 Models 7, 12, 13 & 15 w/5 Spd. New Process Trans.:		
<b>Input Shaft</b>			Bearing (Front)		
1965-1957 All:			Bearing (Rear)		
Seal		21108	1965-1957 4 Spd. New Process Trans.:		
(Speedi-Sleeve)		99212	Bearing (Front)		207-NRJ
Bearing		6307-NRJ	Bearing (Rear)		M28161
<b>Output Shaft</b>			1965-1949 T98 & T98A Trans.:		
1965-1957 All:			Bearing		
Seal		21108	[88] C436-Q		
(Speedi-Sleeve)		99212	1960-1957 3 Spd. Trans. Exc. Models 2, 7 & 12:		
Bearing (Front)		207-NRJ	Bearing		
Bearing (Rear)		6307-NRJ	[44] C407-Q		
<b>Shift Shaft</b>			1957-1955 Models 12 & 13 w/5 Spd. New Process Trans. (Cast Aluminum Gear Shaft Base):		
1965-1957 O/D Control:			Bearing (Front)		
Seal		6130	Bearing (Rear)		207-NRJ
(Speedi-Sleeve)		99062	1956-1946 T9 & T9A 4 Spd. Trans.:		
<b>Transmission-Automatic</b>			Bearing		
<b>Front Pump</b>			J32-2080		
1956-1955 All:			<b>Front</b>		
Seal		21098	1965-1961 Model 15 w/5 Spd. Clark Trans.:		
(Speedi-Sleeve)		99212	Bearing		
<b>Rear</b>			211-ZNRJ		
1964-1962 3 Spd. Trans. Models 5 & 10:			1965-1958 Models 7, 12, 13 & 15 w/5 Spd. New Process Trans.:		
Seal		15620	Bearing		
(Speedi-Sleeve)		99156	211-ZNRJ		
1961-1946 3 Spd. Trans. w/ O/D:			1965-1957 Models 5 & 10 w/3 Spd. Trans.:		
Seal		15620	Bearing		
(Speedi-Sleeve)		99156	207-NRJ		
1961-1946 4 Spd. Trans. Exc. T-9 Type:			1965-1957 Models 7 & 12 w/3 Spd. Trans.:		
Seal		21210	Bearing		
(Speedi-Sleeve)		99212	6307-NRJ		
1961-1946 5 Spd. Trans. Exc. Clark Trans.:			1965-1957 T98 & T98A Trans.:		
Seal		21108	Bearing		
(Speedi-Sleeve)		99212	6308-NRJX		
1961-1946 5 Spd. Clark Trans.:			1965-1957 4 Spd. New Process Trans.:		
Seal		21098	Bearing		
(Speedi-Sleeve)		99212	6209-ZNRJ		
			1962-1957 7E & 8E Trans.:		
			Seal		
			7556		
			(Speedi-Sleeve)		
			99076		
			1957-1955 Models 12 & 13 w/5 Spd. New Process Trans. (Cast Iron Gearshift Base):		
			Bearing		
			6209-ZNRJ		
			1957-1955 Models 12 & 13 w/5 Spd. New Process Trans. (Cast Aluminum Gearshift Base):		
			Bearing		
			211-ZNRJ		
			(Continued)		

MFG./YEAR	MODEL & LOCATION	PART NO.	MFG./YEAR	MODEL & LOCATION	PART NO.
<b>Transmission-Manual (Cont.)</b>			<b>Transmission-Manual (Cont.)</b>		
<b>Front (Cont.)</b>			<b>Rear (Cont.)</b>		
1956-1946	3 Spd. Trans.:		1956-1946	3 Spd. Trans.:	
	Bearing .....	207-NRJ		Seal .....	15620
1956-1946	T9 & T9A Trans.:			(Speedi-Sleeve) .....	99156
	Bearing .....	6209-J		Bearing .....	6207-J
<b>Mainshaft Pilot</b>			1956-1946 T98 & T98A Trans.:		
1965-1961	Model 15 w/5 Spd. Clark Trans.:			Bearing .....	307-J
	Bearing .....	J36-1644	<b>Reverse Idler</b>		
1965-1958	Models 7, 12, 13 & 15 w/5 Spd. New Process Trans.:		1965-1961	Model 15 w/5 Spd. Clark Trans.:	
	Bearing .....	211-ZNRJ		Bearing .....	J36-1644
1965-1957	4 Spd. New Process Trans.:		1965-1949	T98 & T98A Trans.:	
	Bearing .....	[14] Q15902		Bearing .....	[74] B1316-Q
1965-1951	3 Spd. Trans. Exc. Models 2, 7 & 12:		<b>Second Speed Gear</b>		
	Bearing .....	[14] QBR23549	1965-1949 T98 & T98A Trans.:		
1957-1955	Models 12 & 13 w/5 Spd. New Process Trans. (Cast Aluminum Gearshift Base):			Bearing .....	[34] Q6086
	Bearing .....	[14] Q15902	<b>Alternator</b>		
1956-1946	3 Spd. Trans.:		1965-1961 w/o H.D.:		
	Bearing .....	[14] QBR23549		Bearing (Front) .....	6203-RS2J
1956-1946	T9 & T9A w/4 Spd. Trans.:			Bearing (Rear) .....	MNJ471-S
	Bearing .....	J26-1648	1965-1961 H.D.:		
<b>Rear</b>				Bearing (Front) .....	6203-RS2J
1965-1961	Models 5 & 10 w/3 Spd. Trans.:			Bearing (Rear) .....	6203-2ZJ
	Seal .....	15620	<b>Generator</b>		
	(Speedi-Sleeve) .....	99156	1965-1961 w/o H.D.:		
	Bearing .....	207-NRJ		Bearing (Rear) .....	6203-RS2J
1965-1961	Models 7 & 12 w/3 Spd. Trans.:		1965-1946 w/o H.D.:		
	Seal .....	15620		Bearing (Front) .....	6203-J
	(Speedi-Sleeve) .....	99156	1960-1957 H.D.:		
	Bearing .....	307-J		Bearing (Front) .....	6203-RS1
1965-1961	Model 15 w/5 Spd. Clark Trans.:		<b>Steering-Power</b>		
	Bearing .....	6309-NRJ	<b>Pump Shaft</b>		
1965-1958	Models 7, 12, 13 & 15 w/5 Spd. New Process Trans.:		1962-1959 Eaton Type C Late 59:		
	Bearing .....	308-NRJ		Seal .....	7440
1965-1957	4 Spd. New Process Trans.:		1959 Saginaw Type B Early 59:		
	Bearing .....	6307-NRJ		Seal .....	7475
1965-1957	T98 & T98A Trans.:		1958-1957 Saginaw Type A:		
	Bearing .....	6308-NRJ		Seal .....	9663
1960-1957	3 Spd. Trans. Exc. Models 2, 7 & 12:		<b>Steering-Standard</b>		
	Seal .....	15620	<b>Pitman Shaft</b>		
	(Speedi-Sleeve) .....	99156	1964-1949 T-12 Ross:		
	Bearing .....	6207-J		Seal .....	8637
1960-1957	Models 2, 7 & 12 w/3 Spd. Trans.:		1964-1949 TA-12 & TL-12 Ross:		
	Seal .....	15620		Seal .....	9243
	(Speedi-Sleeve) .....	99156	1964-1949 T-14 & TL-52 Ross:		
	Bearing .....	307-J		Seal .....	9837
1957-1955	Models 12 & 13 w/5 Spd. New Process Trans. (Cast Iron Gearshift Base):		1964-1949 TA-14, TA-54 & SE-54 Ross:		
	Bearing .....	6308-NRJ		Seal .....	11065
1957-1955	Models 12 & 13 w/5 Spd. New Process Trans. (Cast Aluminum Gearshift Base):		1964-1949 Type "S" Trans.:		
	Bearing .....	308-NRJ		Seal .....	11067

# Passenger cars, light & medium trucks

## Subaru

MFG./YEAR	MODEL & LOCATION	PART NO.	MFG./YEAR	MODEL & LOCATION	PART NO.
<b>Wheel Front</b>			<b>Wheel Rear (Cont.)</b>		
1995-1994	Legacy:		1995-1992	SVX:	
	Seal (Inner) .....	22026		Seal (Inner) .....	22026
	Seal (Outer) .....	22032		Seal (Outer) .....	22032
	Bearing .....	FW176		Bearing .....	GRW182
1995-1993	Impreza:		1995-1991	Impreza & Legacy w/ABS w/o 4 W/D:	
	Seal (Inner) .....	22026		Hub Assembly .....	BR930211
	Seal (Outer) .....	22032	1994-1990	Loyale w/4 W/D:	
	Bearing .....	FW176		Seal (Inner) .....	15801
1995-1992	SVX:			Seal (Outer) .....	19603
	Seal (Inner) .....	23297		Bearing .....	GRW142
	Seal (Outer) .....	23299	1994-1988	Justy w/4 W/D:	
	Bearing .....	FW172		Seal (Inner) .....	14500
1994-1990	Loyale:			Seal (Outer) .....	15978
	Seal (Inner) .....	20447		Bearing (Inner) .....	6305-J
	Seal (Outer) .....	20445		Bearing (Outer) .....	6206-J
	Bearing .....	[2] 6207-J	1994-1987	Justy w/o 4 W/D:	
1994-1989	Justy:			Seal .....	14720
	Seal (Inner) .....	19627		Bearing (Inner) .....	BR30205
	Seal (Outer) .....	17149		Bearing (Outer) .....	BR30204
	Bearing .....	[2] 6206-J	1993-1990	Loyale w/o 4 W/D:	
1993-1990	Legacy:			Seal .....	22225
	Seal (Inner) .....	22026		Bearing (Inner) .....	BR30206
	Seal (Outer) .....	22032		Bearing (Outer) .....	BR30204
	Bearing .....	FW176	1992-1990	Legacy w/4 W/D w/o ABS Thru 8/92 :	
1991-1988	XT6 w/4 W/D:			Seal (Inner) .....	19624
	Seal (Inner) .....	15801		Seal (Center) .....	19603
	Seal (Outer) .....	19603		Seal (Outer) .....	19623
	Bearing .....	GRW142		Sealed Bearing .....	GRW175
1991-1988	XT6 w/o 4 W/D:		1991-1978	4 W/D From 5/78 Exc. Justy & Legacy:	
	Seal (Inner) .....	20447		Seal (Inner) .....	15801
	Seal (Outer) .....	22032		Seal (Outer) .....	19603
	Bearing .....	FW176		Bearing .....	GRW142
1989-1985	Exc. Justy, Legacy, Loyale & XT6:		1991-1972	F.W.D. Exc. Justy & Legacy:	
	Seal (Inner) .....	20447		Seal .....	22225
	Seal (Outer) .....	20445		Bearing (Inner) .....	BR30206
	Bearing .....	[4] 6207-J		Bearing (Outer) .....	BR30204
1988-1987	Justy:		1978-1975	4 W/D Thru 4/78:	
	Seal (Inner) .....	19627		Seal (Inner) .....	17824
	Seal (Outer) .....	14502		Seal (Outer) .....	19603
	Bearing .....	BK5		Bearing .....	[2] BR6
1984-1972	w/Disc Brks.:			(Set Components) .....	LM67048/LM67010
	Seal .....	20445	1971-1970	Exc. Wgn.:	
	Bearing .....	[2] 6207-J		Seal .....	22225
1976-1971	w/o Disc Brks.:			Bearing (Inner) .....	6305-J
	Seal (Inner) .....	20445		Bearing (Outer) .....	6204-RSJ
	Bearing .....	[2] 6207-J	1971-1970	Wgn.:	
				Seal .....	22225
				Bearing (Inner) .....	BR30206
				Bearing (Outer) .....	BR30204
<b>Wheel Rear</b>			<b>Pinion</b>		
1995-1993	Imprezaw/A.W.D.:		<b>Rear Axle</b>		
	Seal (Inner) .....	19622	1995	Impreza w/2.2L Eng.:	
	Seal (Inner #2) .....	19624		Bearing (Rear) .....	BR32306
	Seal (Outer) .....	19623	1995-1992	SVX:	
	Bearing .....	GRW175		Bearing (Front) .....	BR32306
1995-1993	Impreza & Legacy w/4 W/D & ABS:			Bearing (Rear) .....	BR32305
	Sealed Bearing .....	GRW175	1995-1990	Legacy:	
1995-1990	Impreza & Legacy w/o 4 W/D & ABS:			Bearing (Rear) .....	BR32305
	Hub Assembly .....	BR930212	1994-1990	Justy w/4 W/D:	
1995-1992	Legacy w/4 W/D From 9/92:			Seal .....	11673
	Seal (Inner) .....	19622		Bearing (Rear) .....	BR30206
	Seal (Outer) .....	19623			(Continued)
	Sealed Bearing .....	GRW175			

MFG./YEAR	MODEL & LOCATION	PART NO.	MFG./YEAR	MODEL & LOCATION	PART NO.
<b>Pinion (Cont.)</b>			<b>Transaxle-Automatic (Cont.)</b>		
<b>Rear Axle (Cont.)</b>			<b>Front Pump</b>		
1993-1975 4 W/D Exc. Justy, Legacy & SVX:			1995-1993 Impreza:		
	Bearing (Center) .....	BR32306		Seal .....	19601
	Bearing (Rear) .....	BR32305		(Speedi-Sleeve) .....	99196
1989-1988 Justy w/4 W/D:			1995-1989 3 Spd. Trans. Exc. Impreza:		
	Seal .....	11640		Seal .....	16514
	(Speedi-Sleeve) .....	99114		(Speedi-Sleeve) .....	99169
	Bearing (Rear) .....	BR30206	1995-1989 4 Spd. Trans. Exc. Impreza:		
<b>Differential</b>				Seal .....	19601
<b>Rear Axle</b>				(Speedi-Sleeve) .....	99196
1995-1975 4 W/D Exc. Justy:			1988-1972 All:		
	Bearing .....	BR30208		Seal .....	16514
<b>Clutch</b>				(Speedi-Sleeve) .....	99169
<b>Pilot</b>			<b>Output Shaft</b>		
1995-1985 Exc. Justy & Hatchback:			1995-1993 Impreza:		
	Bearing .....	6201-2RSJ		Seal .....	13907
1994-1987 Justy:				(Speedi-Sleeve) .....	99139
	Bearing .....	W6000-2RSJ	1995-1988 3 Spd. Trans.:		
1984-1981 1.8L Eng.:				Seal .....	10666
	Bearing .....	6201-2RSJ		(Speedi-Sleeve) .....	99106
<b>Release</b>			1995-1988 4 Spd. Trans. Exc. Impreza:		
1995-1990 Impreza w/4 W/D; Legacy w/o Turbo:				Seal .....	11636
	Bearing Assembly .....	N4111		(Speedi-Sleeve) .....	99114
1994-1990 Justy From 12/90:			1987-1985 All:		
	Bearing Assembly .....	N4160		Seal .....	10666
1994-1990 Loyale w/4 W/D:				(Speedi-Sleeve) .....	99106
	Bearing Assembly .....	N4059	<b>Rear Output Shaft</b>		
1993-1990 Loyale w/o 4 W/D:			1995-1983 4 W/D:		
	Bearing Only .....	N3005		Seal .....	13907
1991-1985 XT w/o Turbo & 4 W/D:				(Speedi-Sleeve) .....	99139
	Bearing Only .....	N3005	<b>Torque Converter</b>		
1991-1985 XT w/Turbo & 4 W/D:			1988-1985 Turbine Sh.:		
	Bearing Assembly .....	N4059		Seal .....	15836
1990-1987 Justy Thru 11/90:				(Speedi-Sleeve) .....	99157
	Bearing Only .....	N3005	1988-1982 Stator Sh. From 3/82:		
1989-1985 1600 & 1800 Coupe, Hatchback, Sed. & Sta. Wgn. w/o Turbo & 4 W/D:				Seal (Inner) .....	10934
	Bearing Only .....	N3005		(Speedi-Sleeve) (Inner) .....	99111
1988-1986 1800 Hatchback, Sed. & Wgn. w/Turbo & 4 W/D:				Seal (Outer) .....	10938
	Bearing Assembly .....	N4059		(Speedi-Sleeve) (Outer) .....	99111
1984-1982 1.8L Eng. w/4 W/D:			1982-1980 Stator Sh. Thru 2/82:		
	Bearing .....	N4012		Seal .....	10966
1984-1972 w/o 1.8L Eng. & 4 W/D:				(Speedi-Sleeve) .....	99111
	Bearing .....	N3005	<b>Transaxle-Manual</b>		
<b>Transaxle-Automatic</b>			<b>Differential</b>		
<b>Differential</b>			1994-1987 Justy:		
1995-1992 Impreza & SVX:				Bearing (L.H.) .....	6207-ZJ
	Bearing .....	BR30208		Bearing (R.H.) .....	6207-J
1994-1987 Justy:			1991-1985 4 W/D Exc. Justy & Loyale w/3 Spd. Trans.:		
	Bearing (L.H.) .....	6207-ZJ		Bearing .....	BR30208
	Bearing (R.H.) .....	6207-J	1979-1970 All:		
1991-1985 4 W/D Exc. Justy & Loyale w/3 Spd. Trans.:				Bearing .....	BR30207
	Bearing .....	BR30208	<b>Input Shaft</b>		
1979-1970 All:			1995-1993 Impreza:		
	Bearing .....	BR30207		Seal .....	8550
				(Speedi-Sleeve) .....	99085
			1995-1992 Legacy & Loyale w/4 W/D:		
				Seal .....	9752
				(Speedi-Sleeve) .....	99098
			(Continued)		

Subaru -- (Cont.)

MFG./YEAR	MODEL & LOCATION	PART NO.	MFG./YEAR	MODEL & LOCATION	PART NO.
<b>Transaxle-Manual (Cont.)</b>			<b>Transmission-Manual</b>		
<b>Input Shaft (Cont.)</b>			<b>Front</b>		
1994-1987	Justy:		1994-1990	Legacy:	
	Seal	7916		Seal	9752
	(Speedi-Sleeve)	99078		(Speedi-Sleeve)	99098
1993-1992	Legacy & Loyale w/o 4 W/D:		<b>Rear</b>		
	Seal	8550	1995-1985	w/o 4 W/D:	
	(Speedi-Sleeve)	99085		Seal	7000
1991-1985	2 W/D Exc. Justy:			(Speedi-Sleeve)	99082
	Seal	8550	1994-1990	Legacy w/4 W/D:	
	(Speedi-Sleeve)	99085		Seal	13907
1991-1985	4 W/D Exc. Justy:			(Speedi-Sleeve)	99139
	Seal	9752	<b>Alternator</b>		
	(Speedi-Sleeve)	99098	1994-1989	Justy:	
1984-1981	All:			Bearing (Front)	AB10
	Seal	8550		Bearing (Rear)	AB4
	(Speedi-Sleeve)	99085	1991-1981	Exc. Justy & XT:	
1980-1970	All:			Bearing (Front)	6303-2RSJ
	Seal	7940		Bearing (Rear)	6201-2RSJ
	(Speedi-Sleeve)	99078	1988	XT:	
<b>Output Shaft</b>				Bearing (Rear)	AB4
1995-1985	4 W/D:		1988-1987	Justy w/o 4 W/D:	
	Seal	11636		Bearing (Front)	6302-2RSJ
	(Speedi-Sleeve)	99114	1987-1985	XT:	
<b>Rear Output Shaft</b>				Bearing (Front)	6303-2RSJ
1995-1990	Impreza & Loyale w/4 W/D:		1980	From Chas. No. 279891:	
	Seal	13907		Bearing (Front)	6303-2RSJ
	(Speedi-Sleeve)	99139		Bearing (Rear)	6201-2RSJ
1994-1988	Justy w/4 W/D:		1980	Thru Chas. No. 279890:	
	Seal	11622		Bearing (Front)	6203-2RSJ
	(Speedi-Sleeve)	99114		Bearing (Rear)	6201-2RSJ
1991-1975	4 W/D Exc. Justy:		1979-1975	All:	
	Seal	13907		Bearing (Front)	6303-2RSJ
	(Speedi-Sleeve)	99139		Bearing (Rear)	6201-2RSJ
<b>Shift Shaft</b>			1974-1970	All:	
1994-1987	Justy:			Bearing (Front)	6202-ZJ
	Seal	6539		Bearing (Rear)	6201-2RSJ
1994-1980	Exc. Justy:		<b>Engine</b>		
	Seal	7000	<b>Auxiliary Shaft</b>		
	(Speedi-Sleeve)	99082	1994-1987	1.2L Eng.:	
<b>Transfer Case</b>				Seal	9068
<b>Input Shaft</b>			<b>Camshaft</b>		
1994-1992	Legacy:		1995-1990	Impreza & Legacy w/2.2L & 2.5L Eng.:	
	Seal	7018		Seal	12717
	(Speedi-Sleeve)	99082		(Speedi-Sleeve)	99128
<b>Transmission-Automatic</b>				Seal Kit	12712
<b>Front Pump</b>			1995-1993	Impreza w/1.8L Eng.:	
1994-1990	Legacy:			Seal	12717
	Seal	19601		(Speedi-Sleeve)	99128
	(Speedi-Sleeve)	99196		Seal Kit	12712
<b>Rear</b>			1995-1992	3.3L Eng.:	
1994-1990	Legacy:			Seal	12717
	Seal	13907		(Speedi-Sleeve)	99128
	(Speedi-Sleeve)	99139		Seal Kit	12712
			1994-1985	1.8L Eng. Exc. Impreza:	
				Seal (Viton)	14721
				(Speedi-Sleeve) (Viton)	99147
				Seal	14720
				(Speedi-Sleeve)	99147

(Continued)



MFG./YEAR	MODEL & LOCATION	PART NO.	MFG./YEAR	MODEL & LOCATION	PART NO.
<b>Engine (Cont.)</b>			<b>Engine (Cont.)</b>		
<b>Camshaft Rear</b>			<b>Timing Belt Tensioner (Cont.)</b>		
1994-1987	1.2L Eng.:		1989-1986	L Series:	
	Seal (Rear) .....	15500		Bearing & Housing Assy. ....	VKM78002
<b>Crankshaft-Rear</b>			<b>Timing Belt and Tensioner Kit</b>		
1995	w/o 1.2L Eng.:		1995-1993	Impreza & Legacy:	
	Seal .....	33861		Belt & Tensioner Kit .....	VKMA98000
1995-1987	1.2L Eng.:		<b>Timing Cover</b>		
	Seal .....	26625	1995-1993	Impreza w/1.8L Eng.:	
1994-1993	Impreza w/1.8L Eng.:			Seal .....	13427
	Seal .....	33861	1995-1992	SVX:	
1994-1980	1.8L Eng. Exc. Impreza:			Seal .....	13427
	Seal .....	◇29675	1995-1990	Legacy w/2.2L Eng.:	
	(Superseded by).....	29676		Seal .....	13427
	(Speedi-Sleeve) .....	99298	1994-1980	1.8L Eng. Exc. Impreza:	
1986-1972	1.3L, 1.4L & 1.6L Eng.:			Seal .....	14738
	Seal .....	27723		(Speedi-Sleeve) .....	99147
	(Speedi-Sleeve) .....	99276	1986-1970	w/o 1.8L Eng.:	
<b>Oil Pump</b>				Seal .....	14772
1994-1990	Loyale w/1.8L Eng.:			(Speedi-Sleeve) .....	99147
	Seal .....	7205	<b>Steering-Standard</b>		
	(Speedi-Sleeve) .....	99076	<b>Worm Shaft</b>		
1994-1987	1.2L Eng.:		1988-1986	Brat & Hatchback:	
	Seal .....	11671		Seal .....	7220
	(Speedi-Sleeve) .....	99114	1988-1986	Sed., Wgn. & XT:	
<b>Timing Belt Idler</b>				Seal .....	6640
1995	Legacy w/2.2L Eng.:		1985	All:	
	Bearing & Housing Assy. (Upper) .....	VKM88000		Seal .....	6640
	Bearing & Housing Assy. (Lower) .....	VKM88001	1984-1981	All:	
1994-1985	Loyale, XT & Wgn. w/1.8L Eng.:			Seal .....	7220
	Bearing & Housing Assy. ....	VKM88002	<b>Timing Belt Tensioner</b>		
<b>Timing Belt Tensioner</b>			1995	Impreza & Legacy w/1.8L & 2.2L Eng.:	
1995	Impreza & Legacy w/1.8L & 2.2L Eng.:			Bearing & Housing Assy. ....	VKM78000
	Bearing & Housing Assy. ....	VKM78000	1995	SVX:	
1995	SVX:			Bearing & Housing Assy. ....	VKM78812
	Bearing & Housing Assy. ....	VKM78812	1994-1990	Loyale & XT Coupe:	
1994-1990	Loyale & XT Coupe:			Bearing & Housing Assy. ....	VKM78001
	Bearing & Housing Assy. ....	VKM78001	1991-1987	Justy:	
1991-1987	Justy:			Bearing & Housing Assy. ....	VKM78105
	Bearing & Housing Assy. ....	VKM78105			

**Sunbeam**

**Wheel Front**

1976-1969	Alpine & Rapier:	
	Bearing (Inner) .....	BR4
	(Set Components) .....	L44649/L44610
	Bearing (Outer) .....	BR2
	(Set Components) .....	LM11949/LM11910
1968-1964	All:	
	Bearing (Inner) .....	BR21
	(Set Components) .....	BR1988/BR1922
	Bearing (Outer) .....	BR2
	(Set Components) .....	LM11949/LM11910
1963-1959	Alpine & Rapier:	
	Bearing (Inner) .....	BR21
	(Set Components) .....	BR1988/BR1922
	Bearing (Outer) .....	BR2
	(Set Components) .....	LM11949/LM11910

**Wheel Front (Cont.)**

1958-1956	Rapier:	
	Bearing (Inner) .....	BR21
	(Set Components) .....	BR1988/BR1922
	Bearing (Outer) .....	BR16150/BR16284

**Wheel Rear**

1966-1955	Rapier & Alpine:	
	Seal .....	19832

**Pinion**

1976-1965	Imp Coupe & Sport:	
	Bearing .....	BR21075/BR21212
1975-1968	Alpine Sport & Sport Stiletto:	
	Bearing .....	BR21075/BR21212
1971-1968	Rapier w/Diff. Hsg. 5221255:	
	Seal .....	15004
	(Speedi-Sleeve) .....	99149
	Bearing .....	M84548/M84510

(Continued)

Sunbeam -- (Cont.)

MFG./YEAR	MODEL & LOCATION	PART NO.	MFG./YEAR	MODEL & LOCATION	PART NO.
<b>Pinion (Cont.)</b>			<b>Generator</b>		
1971-1965	Tiger 260 & 289:		1975-1970	Alpine:	
	Seal .....	15788		Bearing .....	6202-J
	(Speedi-Sleeve) .....	99155	1975-1968	Rapier:	
1968-1953	Rapier Series I, II & III:			Bearing .....	6202-J
	Seal .....	14938	1967-1954	Rapier:	
	(Speedi-Sleeve) .....	99149		Bearing .....	6203-J
<b>Differential</b>					
1975-1968	Alpine:				
	Bearing .....	[2] BR35			
	(Set Components) .....	LM501349/LM501310			
1975-1960	Rapier:				
	Bearing .....	[2] BR35			
	(Set Components) .....	LM501349/LM501310			

Suzuki

Wheel Front

1995	Esteem:	
	Seal (Inner) .....	19324
	Seal (Outer) .....	22024
	Bearing .....	FW146
1995-1989	Sidekick:	
	Seal (Inner) .....	29505
	Seal (Outer) .....	21052
	Bearing .....	FW151
1995-1989	Swift Exc. GT & GTI:	
	Seal (Inner) .....	19090
	Seal (Outer) .....	20906
	Bearing .....	FW22
1995-1986	Samurai w/4 W/D:	
	Seal .....	19613
	Bearing .....	[2] FW138
1994-1989	Swift GT & GTI:	
	Seal (Inner) .....	19090
	Seal (Outer) .....	22024
	Bearing .....	FW146

Axle Shaft

1995-1989	Sidekick:	
	Seal (Inner) .....	18876
	Seal (Outer) .....	25196
1995-1986	Exc. Sidekick:	
	Seal .....	10173

Wheel Rear

1995	Esteem w/o ABS:	
	Hub Assembly .....	BR930160
1995-1989	Sidekick:	
	Seal (Inner) .....	18452
	Seal (Outer) .....	17113
	Sealed Bearing w/Lock Ring .....	GRW232-R
1995-1989	Swift Exc. GT, GTI w/ABS:	
	Bearing (Inner) .....	6205-RSJ
	Bearing (Outer) .....	6204-RSJ
1995-1986	Samurai:	
	Seal .....	18962
	Sealed Bearing w/Lock Ring .....	GRW185-R
1994-1989	Swift GT & GTI:	
	Hub Assembly .....	BR930115

Pinion

Front Axle

1995-1989	Sidekick:	
	Seal .....	14762
	(Speedi-Sleeve) .....	99147
	Bearing (Front) .....	BR30307
	Bearing (Rear) .....	BR30306
1995-1988	Samurai:	
	Seal .....	14762
	(Speedi-Sleeve) .....	99147
	Bearing (Front) .....	BR30306
	Bearing (Rear) .....	BR30307

Rear Axle

1995-1986	Samurai:	
	Seal .....	14762
	(Speedi-Sleeve) .....	99147
	Bearing (Front) .....	BR30306
	Bearing (Rear) .....	BR30307
1993-1989	Sidekick:	
	Seal .....	14762
	(Speedi-Sleeve) .....	99147
	Bearing (Front) .....	BR30306
	Bearing (Rear) .....	BR30307

Differential

Front Axle

1989-1986	Samurai:	
	Bearing .....	KC11445-Y
	(Set Components) .....	BR17887/BR17831

Rear Axle

1995-1986	Samurai & Sidekick:	
	Bearing .....	KC11445-Y
	(Set Components) .....	BR17887/BR17831
1994-1989	Swift w/Man. Trans. Exc. GT & GTI:	
	Bearing .....	6207-ZJ
1994-1989	Swift GT & GTI w/Auto. Trans.:	
	Bearing .....	6207-J
1994-1989	Swift GT & GTI w/Man. Trans.:	
	Bearing (L.H.) .....	6207-J
	Bearing (R.H.) .....	6007-J

(Continued)

MFG./YEAR	MODEL & LOCATION	PART NO.	MFG./YEAR	MODEL & LOCATION	PART NO.
<b>Clutch</b>			<b>Transaxle-Manual (Cont.)</b>		
<b>Pilot</b>			<b>Output Shaft</b>		
1995-1986	Esteem, Samurai, Sidekick, Swift GT & GTI:		1995	Esteem:	
	Bearing .....	6200-2RSJ	Seal (L.H.) .....		13998
			(Speedi-Sleeve) (L.H.) .....		99139
<b>Release</b>			1994-1989	Swift:	
1995-1989	Esteem; Swift w/1.3L Eng. w/o DOHC:		Seal (L.H.) .....		13998
	Bearing Assembly .....	N4069	(Speedi-Sleeve) (L.H.) .....		99139
1995-1986	Samurai & Sidekick:		Seal (R.H.) .....		13624
	Bearing Assembly .....	N4092	(Speedi-Sleeve) (R.H.) .....		99139
<b>Transaxle-Automatic</b>			<b>Shift Shaft</b>		
<b>Differential</b>			1995	Esteem & Swift:	
1995	Esteem & Swift Exc. GTI:		Seal .....		5507
	Bearing (L.H.) .....	6207-J	<b>Transfer Case</b>		
	Bearing (R.H.) .....	6007-J	<b>Front Output Shaft</b>		
1994-1989	Swift Exc. GT & GTI:		1992-1986	All:	
	Bearing .....	[2] 6207-ZJ	Seal .....		14739
1992-1989	Swift GT & GTI:		(Speedi-Sleeve) .....		99147
	Bearing .....	6207-J	Bearing .....		GRW122
<b>Front Pump</b>			<b>Input Shaft</b>		
1995	Esteem:		1995-1989	Sidekick:	
	Seal .....	14772	Seal .....		15807
	(Speedi-Sleeve) .....	99147	(Speedi-Sleeve) .....		99157
1995-1989	Swift:		1995-1986	Samurai:	
	Seal .....	14772	Seal .....		14739
	(Speedi-Sleeve) .....	99147	(Speedi-Sleeve) .....		99147
<b>Output Shaft</b>			Bearing .....		GRW122
1995	Esteem:		<b>Rear Output Shaft</b>		
	Seal .....	13703	1995-1989	Sidekick:	
1995-1989	Swift:		Seal .....		15807
	Seal .....	13954	(Speedi-Sleeve) .....		99157
	(Speedi-Sleeve) .....	99139	Bearing .....		6210-NRJ
<b>Shift Shaft</b>			1995-1986	Samurai:	
1995	Esteem:		Seal .....		14716
	Seal .....	4710	(Speedi-Sleeve) .....		99147
	(Speedi-Sleeve) .....	99049	<b>Transmission-Automatic</b>		
<b>Transaxle-Manual</b>			<b>Front Pump</b>		
<b>Countershaft</b>			1995-1992	Sidekick w/4 Spd. Trans.:	
1995	Esteem:		Seal .....		14772
	Bearing (L.H.) .....	BR32004	(Speedi-Sleeve) .....		99147
	Bearing (R.H.) .....	BR33005	1992-1989	Sidekick w/3 Spd. Trans.:	
1995-1989	Swift:		Seal .....		18692
	Bearing .....	BR33005	(Speedi-Sleeve) .....		99187
<b>Differential</b>			<b>Rear</b>		
1995	Esteem & Swift Exc. GT:		1995-1992	Sidekick w/4 Spd. Trans.:	
	Bearing (L.H.) .....	6207-J	Seal .....		14011
	Bearing (R.H.) .....	6007-J	(Speedi-Sleeve) .....		99146
1994-1989	Swift:		1992-1989	Sidekick w/3 Spd. Trans.:	
	Bearing (L.H.) .....	6207-J	Seal .....		13993
	Bearing (R.H.) .....	6007-J	(Speedi-Sleeve) .....		99139
<b>Input Shaft</b>			<b>Shift Shaft</b>		
1995	Esteem:		1995-1992	Sidekick w/4 Spd. Trans.:	
	Bearing .....	6204-J	Seal .....		4335
1995-1989	Swift:		<b>Transmission-Manual</b>		
	Seal .....	7929	<b>Countershaft</b>		
	(Speedi-Sleeve) .....	99078	1995-1989	Sidekick:	
	Bearing .....	6204-J	Bearing .....		62/282RSNR
			1995-1986	Samurai:	
			Bearing .....		62/282RSNR

(Continued)

## Passenger cars, light & medium trucks

### Suzuki -- (Cont.)

MFG./YEAR	MODEL & LOCATION	PART NO.	MFG./YEAR	MODEL & LOCATION	PART NO.
<b>Transmission-Manual (Cont.)</b>			<b>Engine</b>		
<b>Front</b>			<b>Camshaft</b>		
1995-1989	Sidekick:		1995-1986	All:	
	Seal .....	9701		Seal .....	12724
	(Speedi-Sleeve) .....	99098		(Speedi-Sleeve) .....	99128
1995-1986	Samurai:		<b>Crankshaft-Rear</b>		
	Seal .....	9701	1995-1989	Esteem; Samurai w/1.3L Eng.:	
	(Speedi-Sleeve) .....	99098		Seal .....	26749
<b>Rear</b>			1995-1989	Sidekick & Swift w/1.3L & 1.6L Eng.s.:	
1995-1989	Sidekick w/o 4 W/D:			Seal .....	26749
	Seal .....	14033	1988-1986	Samurai w/1.3L Eng.:	
1995-1989	Sidekick w/4 W/D:			Seal .....	26748
	Seal .....	9795	<b>Timing Belt Tensioner</b>		
	(Speedi-Sleeve) .....	99098	1995	Swift:	
1995-1988	Samurai From 7/88:			Bearing & Housing Assy. ....	VKM76001
	Seal .....	12698	1995	Esteem:	
1988-1986	Samurai Thru 6/88:			Bearing & Housing Assy. ....	VKM76001
	Seal .....	12700	1995-1990	Sidekick w/o 16 Valve Eng.:	
	(Speedi-Sleeve) .....	99128		Bearing & Housing Assy. ....	VKM76202
<b>Reverse Idler</b>			1995-1986	Samurai:	
1995-1986	Samurai:			Bearing & Housing Assy. ....	VKM76202
	Bearing .....	6305-J	1994-1990	Swift:	
<b>Alternator</b>				Bearing & Housing Assy. ....	VKM76200
1995	Swift:		<b>Timing Belt and Tensioner Kit</b>		
	Bearing (Front) .....	6303-2RSJ	1995	Swift w/1.3L Eng.:	
	Bearing (Rear) .....	AB4		Belt & Tensioner Kit .....	VKMA96212
1995-1994	Sidekick:		1995-1989	Sidekick w/1.6L Eng.:	
	Bearing (Front) .....	6303-2RSJ		Belt & Tensioner Kit .....	VKMA96204
1994-1991	Swift:		1994-1986	Samurai, Sidekick & Swift w/1.3L Eng.:	
	Bearing (Front) .....	AB6		Belt & Tensioner Kit .....	VKMA96202
	Bearing (Rear) .....	AB4	<b>Timing Cover</b>		
1989	Sidekick Exc. STD Model:		1994-1986	All:	
	Bearing (Rear) .....	AB4		Seal .....	12724
1989	Sidekick STD Model:			(Speedi-Sleeve) .....	99128
	Bearing (Rear) .....	6202-2RSJ	<b>Steering-Power</b>		
<b>Drive Shaft</b>			1994-1992	Swift Exc. 4 Door Model:	
1990-1989	Swift:			Seal .....	7005
	Seal (L.H.) .....	16565	1994-1992	Swift 4 Door Model:	
	(Speedi-Sleeve) (L.H.) .....	99169		Seal .....	6622
	Seal (R.H.) .....	15881	1991-1989	Sidekick:	
	(Speedi-Sleeve) (R.H.) .....	99157		Seal .....	7005
1989	Sidekick:				
	Seal .....	14018			
	Bearing .....	6206-2RSJ			

### Toyota Passenger (FWD)

<b>Wheel Front</b>		
1995	Avalon:	
	Sealed Bearing .....	FW153
1995-1992	Camry w/V6 Eng.:	
	Sealed Bearing .....	FW153
	Hub Assembly (Kit) .....	BR930302K
1995-1992	Camry w/4 Cyl. Eng.:	
	Sealed Bearing .....	FW153
	Hub Assembly (Kit) .....	BR930303K
1995-1990	Celica:	
	Seal (Inner) .....	22033
	Seal (Outer) .....	20455
	Seal Kit .....	22075
	Bearing .....	FW114
<b>Wheel Front (Cont.)</b>		
1995-1987	Paseo w/ABS; Tercel w/3E & 3EE Eng.s. & ABS:	
	Seal (Inner) .....	22045
	Seal (Outer) .....	21048
	Bearing .....	FW135
1995-1989	Paseo & Tercel w/o ABS:	
	Seal (Inner) .....	22028
	Seal (Outer) .....	21048
	Bearing .....	FW135
(Continued)		

MFG./YEAR	MODEL & LOCATION	PART NO.	MFG./YEAR	MODEL & LOCATION	PART NO.
<b>Wheel Front (Cont.)</b>			<b>Wheel Front (Cont.)</b>		
1995-1994	Corolla w/o ABS:		1982-1980	Tercel:	
	Seal (Inner) .....	22037		Seal .....	20210
	Seal (Outer) .....	20431		Bearing .....	[2] BR11
	Seal Kit .....	20446		(Set Components) .....	JL69349/JL69310
	Bearing .....	FW128	<b>Wheel Rear</b>		
	Hub Assembly (Kit) .....	BR930300K	1995	Avalon w/ABS:	
1995-1992	Corolla w/ABS:			Hub Assembly .....	BR930370
	Seal Kit .....	20446	1995-1994	Celica:	
	Bearing .....	FW128		Hub Assembly (4 Bolt) .....	BR930436
	Hub Assembly (Kit) .....	BR930300K	1995-1990	Tercel Exc. Wgn. From 10/90:	
1993-1992	Corolla w/o ABS (Japan Built):			Seal .....	14705
	Seal (Inner) .....	22037		Bearing (Inner) .....	GRW250
	Seal (Outer) .....	20431		Bearing (Outer) .....	BR1
	Seal Kit .....	20446		(Set Components) .....	LM11749/LM11710
	Bearing .....	FW128	1995-1992	Corolla w/o ABS From 6/92:	
	Hub Assembly (Kit) .....	BR930300K		Bearing Kit .....	WBK215
1993-1992	Corolla w/o ABS (American Built):			Hub Assembly .....	BR930336
	Seal (Inner) .....	22033	1995-1992	Paseo:	
	Seal (Outer) .....	20455		Seal .....	14705
	Seal Kit .....	22075		Bearing (Inner) .....	GRW250
	Bearing .....	FW128		Bearing (Outer) .....	BR1
	C-Clip .....	CIR128		(Set Components) .....	LM11749/LM11710
1991	Camry w/Vin. Codes MCV10, SVX10 & VCV10:		1995-1991	Camry Sed. w/o ABS From 10/91:	
	Sealed Bearing .....	FW153		Sealed Bearing .....	GRW168
1991	Camry w/Vin. Codes SV21 & VZV21:			Hub Assembly .....	BR930371
	Seal (Inner) .....	22033	1995-1991	Camry w/ABS:	
	Seal (Outer) .....	20455		Sealed Bearing .....	GRW168
	Seal Kit .....	22075		Hub Assembly .....	BR930370
	Bearing .....	FW114	1995-1992	Corolla w/ABS From 6/92:	
	Hub Assembly (Kit) .....	BR930200K		Hub Assembly .....	BR930436
1991-1987	Corolla Sed. & Wgn. From 8/87:		1995	Avalon w/o ABS:	
	Seal (Inner) .....	22037		Hub Assembly .....	BR930371
	Seal (Outer) .....	20431	1993-1988	Celica w/A.W.D.:	
	Seal Kit .....	20446		Seal (Inner) .....	22033
	Bearing .....	FW128		Seal (Outer) .....	20429
	Hub Assembly (Kit) .....	BR930300K		Bearing .....	FW114
1990-1983	Camry:		1993-1987	Camry Wgn.:	
	Seal (Inner) .....	22033		Sealed Bearing .....	GRW168
	Seal (Outer) .....	20455	1993-1986	Celica w/o 4 W/D:	
	Seal Kit .....	22075		Seal .....	550237
	Bearing .....	FW114		Bearing .....	GRW166
	C-Clip .....	CIR114	1992-1989	Corolla Wgn. w/A.W.D.:	
	Hub Assembly (Kit) .....	BR930200K		Seal .....	550237
1989-1986	Celica:			Bearing w/Lock Ring .....	88506-BR
	Seal (Inner) .....	22033	1991-1988	Camry Sed. w/4 W/D Thru 4/91:	
	Seal (Outer) .....	20455		Seal (Inner) .....	22033
	Seal Kit .....	22075		Seal (Outer) .....	20429
	Bearing .....	FW114		Bearing .....	FW114
1988-1987	Corolla FX & FX16:		1991-1987	Corolla Exc. Coupe w/Disc Brks. & 4 W/D Wgn. From 8/87 Thru 1/91:	
	Seal Kit .....	22075		Seal .....	16034
	Bearing .....	FW114		Bearing .....	GRW141
	Hub Assembly (Kit) .....	BR930301K	1991-1987	Corolla Coupe w/Disc Brks. From 8/87:	
1988-1983	Tercel w/3AC Eng.:			Seal .....	◇16036
	Seal (Inner) .....	20215		(Superseded by:) .....	16446
	Seal (Outer) .....	19643		Bearing .....	GRW141
	Seal Kit .....	19644	1991-1986	Camry Sed. w/o 4 W/D & Wgn. Thru 9/91:	
	Bearing Assembly .....	FW104		Seal .....	550237
1987-1983	Corolla w/F.W.D. Thru 7/87:			Bearing .....	GRW166
	Seal (Inner) .....	22033		(Continued)	
	Seal (Outer) .....	20455			
	Seal Kit .....	22075			
	Bearing .....	FW114			

**Toyota Passenger (FWD) -- (Cont.)**

MFG./YEAR	MODEL & LOCATION	PART NO.	MFG./YEAR	MODEL & LOCATION	PART NO.
<b>Wheel Rear (Cont.)</b>			<b>Clutch</b>		
1990-1980	Tercel Exc. Wgn. Thru 9/90:		<b>Pilot</b>		
	Seal .....	14115	1995-1988	Camry w/V6 Eng.:	
	Bearing (Inner) .....	32005-XVB		Bearing .....	MR3058-EV
	Bearing (Outer) .....	BR1	1995-1986	Celica GT & GTS:	
	(Set Components) .....	LM11749/LM11710		Bearing .....	M5206-EX
1988-1984	Tercel Wgn. w/o A.W.D.:		1995-1983	Camry w/2.0L & 2.2L Eng.:	
	Seal .....	16034		Bearing .....	M5206-EX
	Bearing .....	GRW141	1993-1988	Celica w/A.W.D.:	
1988-1983	Tercel Wgn. w/A.W.D.:			Bearing .....	MR3058-EV
	Seal .....	550237	1992-1988	Corolla Wgn. w/A.W.D.:	
	Bearing w/Lock Ring .....	88506-BR		Bearing .....	MR3058-EV
1987-1984	Corolla Sed. w/F.W.D.:		1990-1988	Camry w/4 W/D:	
	Seal .....	16034		Bearing .....	MR3058-EV
	Bearing .....	GRW141	1988-1980	Tercel w/3A & 3AC Eng.:	
1985-1983	Camry:			Bearing .....	6001-2ZJ
	Seal .....	16502	<b>Release</b>		
	Bearing .....	GRW166	1995-1991	Celica ST & Corolla w/o 4 W/D From 6/91:	
<b>Pinion</b>				Bearing Assembly .....	N4095
<b>Front Axle</b>			1995-1988	Camry & Solara w/V6 Eng.:	
1988-1987	Camry & Celica:			Bearing Assembly .....	N4102
	Bearing (Rear) .....	BR30208	1995-1990	Camry Exc. V6 Eng. From 6/90:	
1988-1984	Corolla:			Bearing Assembly .....	N4108
	Bearing (Front) .....	BR32007	1995-1990	Celica GT & GTS w/o 4 W/D From 6/90:	
	Bearing (Rear) .....	BR30208		Bearing Assembly .....	N4108
1988-1980	Tercel:		1995-1987	Tercel w/3E & 3EE Eng.; Paseo:	
	Bearing (Rear) .....	BR30208		Bearing Assembly .....	N4024
1986-1983	Camry:		1993-1989	Celica w/A.W.D. From 10/89:	
	Bearing (Front) .....	BR32007		Bearing Assembly .....	N4102
	Bearing (Rear) .....	BR30208	1992-1988	Corolla w/A.W.D.:	
<b>Rear Axle</b>				Bearing Assembly .....	N4085
1993-1988	Celica w/A.W.D.:		1991-1989	Celica ST Models From 9/89:	
	Seal .....	14922		Bearing Assembly .....	N4024
	Bearing (Front) .....	M86649/M86610	1991-1984	Corolla w/o Diesel Eng. & 4 W/D Thru 5/91:	
	Bearing (Rear) .....	HM88649/HM88610		Bearing Assembly .....	N4024
1992-1988	Corolla Wgn. w/A.W.D.:		1990-1989	Celica w/o 4 W/D & ST Models Thru 5/90:	
	Seal .....	14922		Bearing Assembly .....	N4087
	Bearing (Front) .....	M86649/M86610	1990-1987	Camry w/4 W/D w/o V6 Eng. Thru 8/90:	
	Bearing (Rear) .....	HM88649/HM88610		Bearing Assembly .....	N4085
1991-1988	Camry w/4 W/D:		1990-1983	Camry w/o 4 W/D & V6 Eng. Thru 5/90:	
	Seal .....	14922		Bearing Assembly .....	N4087
	Bearing (Front) .....	M86649/M86610	1989-1988	Celica w/4 W/D Thru 9/89:	
	Bearing (Rear) .....	HM88649/HM88610		Bearing Assembly .....	N4102
1988-1983	Tercel Wgn. w/A.W.D.:		1989-1986	Celica w/o 4 W/D Thru 8/89:	
	Seal .....	13954		Bearing Assembly .....	N4087
	(Speedi-Sleeve) .....	99139	1988-1981	Tercel w/3A & 3AC Eng.:	
	Bearing (Front) .....	32005-C		Bearing Only (Reuse O.E.M. Hub) .....	N3064
	Bearing (Rear) .....	M86649/M86610	1985-1984	Corolla w/Diesel Eng.:	
<b>Differential</b>				Bearing Assembly .....	N4087
<b>Rear Axle</b>			<b>Transaxle-Automatic</b>		
1993-1988	Celica w/A.W.D.:		<b>Differential</b>		
	Seal .....	13858	1992-1988	Corolla Wgn. w/A.W.D. Thru 5/92:	
1992-1988	Corolla Wgn. w/A.W.D.:			Bearing (L.H.) .....	BR57
	Bearing .....	BR35	<b>Front Pump</b>		
	(Set Components) .....	LM501349/LM501310	1995-1980	All:	
1991-1988	Camry w/4 W/D:			Seal .....	14720
	Seal .....	13858		(Speedi-Sleeve) .....	99147
1988-1983	Tercel Wgn. w/A.W.D.:		<b>Output Shaft</b>		
	Bearing .....	BR5	1995-1992	Corolla w/4 Spd. Trans. From 6/92:	
	(Set Components) .....	LM48548/LM48510		Seal (L.H.) .....	13478
				Seal (R.H.) .....	13439
			(Continued)		

MFG./YEAR	MODEL & LOCATION	PART NO.	MFG./YEAR	MODEL & LOCATION	PART NO.
<b>Transaxle-Automatic (Cont.)</b>			<b>Transaxle-Automatic (Cont.)</b>		
<b>Output Shaft (Cont.)</b>			<b>Shift Shaft</b>		
1995-1991 Camry Sed. & Wgn. w/V6 Eng. From 10/91:			1995-1984 All:		
	Seal (L.H.)	15888		Seal	4707
	Seal (R.H.)	19578		(Speedi-Sleeve)	99049
	(Speedi-Sleeve) (R.H.)	99196	<b>Transaxle-Manual</b>		
1995-1988 Camry Sed. & Wgn. w/o V6 Eng. & 4 W/D:			<b>Differential</b>		
	Seal	14021	1995-1991 Camry Sed. w/V6 Eng.:		
1995-1992 Corolla w/3 Spd. Trans. From 6/92:			Bearing (R.H.)		
	Seal	13439	1993-1988 Celica w/A.W.D.:		
1995 Avalon:			Bearing (L.H.)		
	Seal (L.H.)	15888	Bearing (R.H.)		
	Seal (R.H.)	19578	1992-1988 Corolla Wgn. w/A.W.D. Thru 5/92:		
	(Speedi-Sleeve) (R.H.)	99196	Bearing (R.H.)		
1995-1992 Paseo:			<b>Input Shaft</b>		
	Seal (L.H.)	13478	1995-1990 Celica w/o 4 W/D:		
	Seal (R.H.)	13439		Seal	9715
1995-1989 Celica w/o 4 W/D From 9/89:				(Speedi-Sleeve)	99098
	Seal (L.H.)	13858	1995-1988 Celica & Corolla Wgn. w/A.W.D.:		
	Seal (R.H.)	14021		Seal	12250
1995-1989 Tercel Exc. Wgn.:				(Speedi-Sleeve)	99123
	Seal	13439	1995-1988 Tercel w/3E & 3EE Eng.:		
1991-1988 Corolla Wgn. w/A.W.D.:				Seal	9715
	Seal	17191		(Speedi-Sleeve)	99098
1991-1988 Camry DX w/V6 Eng. w/o 4 W/D Thru 9/91:			1995-1988 Camry w/4 W/D:		
	Seal	19578		Seal	12250
	(Speedi-Sleeve)	99196		(Speedi-Sleeve)	99123
1991-1988 Camry w/4 W/D:			1995-1984 Corolla w/o Diesel Eng. & 4 W/D; Paseo:		
	Seal	17191		Seal	9715
1990-1984 Corolla w/3 Spd. Trans. w/o Diesel Eng.:				(Speedi-Sleeve)	99098
	Seal	13439	1989-1986 Celica w/o 4 W/D:		
1990-1984 Corolla w/4 Spd. Trans. w/o Diesel Eng.:				Seal	12250
	Seal (L.H.)	13478		(Speedi-Sleeve)	99114
	Seal (R.H.)	13439	1987-1983 Camry:		
1989-1987 Celica From 8/87 Thru 8/89:				Seal	12250
	Seal	14021		(Speedi-Sleeve)	99114
1988-1980 Tercel:			1985-1984 Corolla w/Diesel Eng.:		
	Seal	12754		Seal	12250
	(Speedi-Sleeve)	99128		(Speedi-Sleeve)	99114
1987-1986 Celica Thru 8/87:			<b>Output Shaft</b>		
	Seal	13750	1995-1992 Paseo:		
	(Speedi-Sleeve)	99138		Seal (L.H.)	13478
1987-1983 Camry:				Seal (R.H.)	13441
	Seal	13750		Bearing (Front)	RNU070620-1
	(Speedi-Sleeve)	99138	1995-1991 Camry Sed. w/o V6 Eng. From 6/91:		
1985-1984 Corolla w/Diesel Eng.:				Seal	14021
	Seal	13750	1995-1991 Celica w/o A.W.D. From 9/91; Corolla Sed.		
	(Speedi-Sleeve)	99138	From 8/91:		
<b>Pinion</b>				Seal (L.H.)	13478
1995 Avalon:				Seal (R.H.)	13439
	Seal	13624	1995-1990 Celica GT Exc. Wide Body:		
	(Speedi-Sleeve)	99139		Seal	13750
1995-1994 Celica GT:				(Speedi-Sleeve)	99138
	Bearing (Rear)	BR30208	1994-1988 Tercel w/1.5L Eng. From 8/88:		
1995-1994 Celica ST:				Seal (L.H.)	13478
	Bearing (Rear)	BR32006		Seal (R.H.)	13441
<b>Rear Output Shaft</b>				Bearing (Front)	RNU070620-1
1988-1984 Tercel Wgn. w/A.W.D.:			1992-1988 Corolla Wgn. w/A.W.D.:		
	Seal	12746		Seal	17191
	(Speedi-Sleeve)	99128	(Continued)		

## Passenger cars, light & medium trucks

### Toyota Passenger (FWD) -- (Cont.)

MFG./YEAR	MODEL & LOCATION	PART NO.	MFG./YEAR	MODEL & LOCATION	PART NO.
<b>Transaxle-Manual (Cont.)</b>			<b>Transfer Case (Cont.)</b>		
<b>Output Shaft (Cont.)</b>			<b>Output Shaft</b>		
1992-1988	Celica w/A.W.D.:		1988	Camry w/Man. Trans.:	
	Seal (L.H.) .....	19578		Seal .....	18489
	(Speedi-Sleeve) (L.H.) .....	99196	<b>Rear Extension</b>		
	Seal (R.H.) .....	18489	1993-1988	Camry & Celica:	
1991-1990	Camry w/o Wgn., 4 W/D & V6 Eng. From 6/90 Thru 5/91:			Seal .....	14753
	Seal .....	14021		(Speedi-Sleeve) .....	99147
1991-1989	Celica w/o 4 W/D From 9/89 Thru 8/91:		1993-1988	Corolla:	
	Seal (L.H.) .....	13478		Seal .....	14753
	Seal (R.H.) .....	13441		(Speedi-Sleeve) .....	99147
1991-1988	Camry w/V6 Eng. Exc. Wgn. & 4 W/D:		<b>Alternator</b>		
	Seal .....	19578	1995	Avalon:	
	(Speedi-Sleeve) .....	99196		Bearing (Rear) .....	6302-2RSJ
1991-1988	Camry Wgn.:		1995-1992	Paseo w/70 Amp. w/o Auto. Trans.:	
	Seal (L.H.) .....	15669		Bearing (Rear) .....	6302-2RSJ
	Seal (R.H.) .....	19578	1995-1992	Paseo w/70 Amp. & Auto. Trans.:	
	(Speedi-Sleeve) (R.H.) .....	99196		Bearing (Rear) .....	6302-2RSJ
1991-1988	Camry w/4 W/D:		1995-1991	Camry w/o V6 Eng.:	
	Seal .....	17191		Bearing (Rear) .....	6302-2RSJ
1991-1984	Corolla w/o Diesel Eng. & A.W.D. Wgn. Thru 8/91:		1995-1991	Camry w/V6 Eng.:	
	Seal (L.H.) .....	13478		Bearing (Front) .....	AB1
	Seal (R.H.) .....	13441		Bearing (Rear) .....	6302-2RSJ
1990-1989	Celica GT w/Wide Body:		1988-1987	Celica w/70 Amp.:	
	Seal .....	14021		Bearing (Rear) .....	6302-2RSJ
1990-1983	Camry w/o Wgn. & 4 W/D Thru 5/90:		1988-1987	Camry From 2/87:	
	Seal .....	13750		Bearing (Rear) .....	6302-2RSJ
	(Speedi-Sleeve) .....	99138	1988-1987	Corolla & Tercel w/55 & 60 Amp.:	
1989-1986	Celica w/o 4 W/D Thru 8/89:			Bearing (Front) .....	6204-2RSJ
	Seal .....	13750		Bearing (Rear) .....	6302-2RSJ
	(Speedi-Sleeve) .....	99138	1988-1985	Tercel Wgn. w/50 Amp.:	
1988-1980	Tercel w/1.5L Eng. Thru 7/88:			Bearing (Front) .....	6303-2RSJ
	Seal .....	12754		Bearing (Rear) .....	6201-2RSJ
	(Speedi-Sleeve) .....	99128	1987	Camry Thru 1/87:	
1985-1984	Corolla w/Diesel Eng.:			Bearing (Front) .....	6204-2RSJ
	Seal .....	13750		Bearing (Rear) .....	6302-2RSJ
	(Speedi-Sleeve) .....	99138	1986-1985	Camry & Tercel w/60 Amp. From 1/85; Celica Exc. Diesel Eng.:	
<b>Rear Extension</b>				Bearing (Front) .....	6204-2RSJ
1988-1980	Tercel:			Bearing (Rear) .....	6302-2RSJ
	Seal .....	5553	1986-1984	Camry & Corolla w/Diesel Eng.:	
	(Speedi-Sleeve) .....	99055		Bearing (Front) .....	6304-2RSJ
<b>Rear Output Shaft</b>			1986-1984	Corolla w/o Diesel Eng. From 9/83:	
1988	Celica w/A.W.D.:			Bearing .....	[2] 6302-2RSJ
	Seal .....	14753	1986-1980	Tercel w/55 Amp.:	
	(Speedi-Sleeve) .....	99147		Bearing (Front) .....	6203-2RSJ
1988-1983	Tercel Wgn. w/A.W.D.:			Bearing (Rear) .....	6201-2RSJ
	Seal .....	12745	1985	Tercel w/60 Amp. Thru 12/84:	
	(Speedi-Sleeve) .....	99128		Bearing .....	[2] 6302-2RSJ
<b>Transfer Case</b>			1985-1984	Camry w/o Diesel Eng. Thru 12/84:	
<b>Front Output Shaft</b>				Bearing .....	[2] 6302-2RSJ
1993-1988	Camry, Celica & Corolla w/Man. Trans.:		1984	Corolla w/o Diesel Eng. Thru 8/83:	
	Seal .....	18489		Bearing .....	[2] 6302-2RSJ
<b>Input Shaft</b>			1983	Camry:	
1993-1988	Camry & Corolla w/Auto. Trans.:			Bearing .....	[2] 6302-2RSJ
	Seal (L.H.) .....	23888	1982-1980	Tercel w/50 Amp.:	
	Seal (Inner R.H.) .....	20448		Bearing (Front) .....	6203-2RSJ
	Seal (Outer R.H.) .....	19656		Bearing (Rear) .....	6201-ZJ
1993-1988	Corolla w/Man. Trans.:				(Continued)
	Seal .....	18489			



# Passenger cars, light & medium trucks

## (Cont.) -- Toyota Passenger (FWD)

MFG./YEAR	MODEL & LOCATION	PART NO.	MFG./YEAR	MODEL & LOCATION	PART NO.
<b>Engine</b>			<b>Engine (Cont.)</b>		
<b>Camshaft</b>			<b>Crankshaft-Rear (Cont.)</b>		
1995-1988	Camry w/2.5L, 3.0L & 3.3L Engs.:		1988-1980	Tercel w/1.5L Eng. Thru 7/88:	
	Seal .....	14936		Seal .....	27750
	(Speedi-Sleeve) .....	99147		(Speedi-Sleeve) .....	99276
1995	Avalon:		1986-1984	Camry & Corolla w/Diesel Eng.:	
	Seal .....	14713		Seal .....	35409
	(Speedi-Sleeve) .....	99147		(Speedi-Sleeve) .....	99354
1995-1984	Camry w/2.0L & 2.2L Engs. w/o Diesel Eng.:		<b>Oil Pump</b>		
	Seal .....	14713	1995	Avalon:	
	(Speedi-Sleeve) .....	99147		Seal .....	15818
1995-1986	Celica w/2.0L & 2.2L Engs. w/o Turbo:			(Speedi-Sleeve) .....	99157
	Seal .....	14713	1995-1991	Camry w/4 Cyl. Eng.:	
	(Speedi-Sleeve) .....	99147		Seal .....	7012
1995-1990	Celica w/1.6L & 1.8L Engs.:			(Speedi-Sleeve) .....	99082
	Seal .....	13857	1995-1991	Camry w/6 Cyl. Eng.:	
	(Speedi-Sleeve) .....	99139		Seal .....	15818
1995-1980	Corolla w/o Diesel Eng.; Tercel & Paseo w/1.5L Eng.:			(Speedi-Sleeve) .....	99157
	Seal .....	13857	1995-1991	Paseo & Tercel:	
	(Speedi-Sleeve) .....	99139		Seal .....	7918
1993-1988	Celica w/2.0L Turbo:			(Speedi-Sleeve) .....	99078
	Seal .....	13857	1995-1989	Corolla Exc. Diesel Eng. From 11/89; Celica w/1.6L & 1.8L Engs.:	
	(Speedi-Sleeve) .....	99139		Seal .....	12718
1986-1984	Camry & Corolla w/Diesel Eng.:			(Speedi-Sleeve) .....	99128
	Seal .....	14713	1995-1986	Celica w/2.0L & 2.2L Engs.:	
	(Speedi-Sleeve) .....	99147		Seal .....	7012
<b>Crankshaft-Rear</b>				(Speedi-Sleeve) .....	99082
1995-1990	Camry w/V6 Eng.:		1989-1984	Corolla w/o Diesel Eng. Thru 10/89:	
	Seal .....	36005		Seal .....	12718
	(Speedi-Sleeve) .....	99360		(Speedi-Sleeve) .....	99128
1995	Avalon:		1989-1983	Camry w/2.0L Eng.:	
	Seal .....	36005		Seal .....	7012
	(Speedi-Sleeve) .....	99360		(Speedi-Sleeve) .....	99082
1995-1991	Camry w/2.0L & 2.2L Engs.:		<b>Timing Belt Idler</b>		
	Seal .....	33408	1995-1992	Avalon & Camry w/3.0L Eng.:	
	(Speedi-Sleeve) .....	99333		Bearing & Housing Assy. ....	VKM81000
1995-1986	Celica w/2.0L & 2.2L Engs. w/o Turbo:		1995	Tercel:	
	Seal .....	33408		Bearing & Housing Assy. ....	VKM81400
	(Speedi-Sleeve) .....	99333	1995-1992	Paseo:	
1995-1991	Paseo & Tercel From 9/91:			Bearing & Housing Assy. ....	VKM81400
	Seal .....	31492	1994-1990	Tercel:	
	(Speedi-Sleeve) .....	99315		Bearing & Housing Assy. ....	VKM81200
1995-1984	Corolla w/o Diesel Eng.:		1993-1988	Celica w/2.0L & 2.2L Engs.:	
	Seal .....	27750		Bearing & Housing Assy. ....	VKM81004
	(Speedi-Sleeve) .....	99276	<b>Timing Belt Tensioner</b>		
1995-1990	Celica w/1.6L & 1.8L Engs.:		1995	Avalon:	
	Seal .....	27750		Bearing & Housing Assy. ....	VKM71004
	(Speedi-Sleeve) .....	99276	1995-1988	Camry w/2.5L & 3.0L Engs.:	
1993-1989	Celica w/Turbo:			Bearing & Housing Assy. ....	VKM71004
	Seal .....	35405	1995-1988	Camry w/2.0L & 2.2L Engs.:	
	(Speedi-Sleeve) .....	99354		Bearing & Housing Assy. ....	VKM71003
1991-1988	Tercel w/1.5L Eng. Thru 8/91:		1995-1989	Celica w/2.0L & 2.2L Engs. w/o Turbo:	
	Seal .....	31492		Bearing & Housing Assy. ....	VKM71003
	(Speedi-Sleeve) .....	99315	1995	Tercel:	
1989-1988	Celica GTS w/DOHC Eng.:			Bearing & Housing Assy. ....	VKM71400
	Seal .....	35405	1995-1992	Paseo:	
	(Speedi-Sleeve) .....	99354		Bearing & Housing Assy. ....	VKM71400
1989-1983	Camry w/o Diesel Eng.:		1995	Celica w/1.8L Eng.:	
	Seal .....	33408		Bearing & Housing Assy. ....	VKM71007
	(Speedi-Sleeve) .....	99333	1995-1993	Corolla:	
				Bearing & Housing Assy. ....	VKM71007

(Continued)



For explanation of symbols ●◆⊕⊞⊠⊡ within (text), see page 1A.  
 Para una explicación de los símbolos ●◆⊕⊞⊠⊡ en el (texto), vea página 1B.  
 Pour une explication des symboles ●◆⊕⊞⊠⊡ dans (texte), voir page 1C.

**Toyota Passenger (FWD) -- (Cont.)**

MFG./YEAR	MODEL & LOCATION	PART NO.	MFG./YEAR	MODEL & LOCATION	PART NO.
<b>Engine (Cont.)</b>			<b>Engine (Cont.)</b>		
<b>Timing Belt Tensioner (Cont.)</b>			<b>Timing Cover</b>		
1994-1988	Tercel w/1.5L Eng.:		1995-1991	Camry w/2.5L & 3.0L Eng.s.:	
	Bearing & Housing Assy. ....	VKM71201	Seal .....		15818
1993-1990	Celica w/Turbo:		(Speedi-Sleeve) .....		99157
	Bearing & Housing Assy. ....	VKM71006	1995-1991	Camry w/o 2.5L & 3.0L Eng.s.:	
1993-1990	Celica w/1.6L Eng.:		Seal .....		16514
	Bearing & Housing Assy. ....	VKM71202	(Speedi-Sleeve) .....		99169
1992-1988	Corolla:		1995-1988	Paseo w/1.5L Eng.; Tercel w/1.5L Eng. From	
	Bearing & Housing Assy. ....	VKM71202	8/88:		
1989-1988	Celica w/2.0L Eng.:		Seal .....		13857
	Bearing & Housing Assy. ....	VKM71302	(Speedi-Sleeve) .....		99139
1986-1983	Camry w/2.0L Eng.:		1995-1986	Celica w/o 1.6L Eng.:	
	Bearing & Housing Assy. ....	VKM71101	Seal .....		16489
1985-1984	Camry w/1.8L Eng.:		1995-1987	Corolla:	
	Bearing & Housing Assy. ....	VKM71100	Seal .....		13857
<b>Timing Belt and Tensioner Kit</b>			(Speedi-Sleeve) .....		99139
1995-1989	Camry w/2.0L & 2.2L Eng.s.:		1993-1990	Celica w/1.6L Eng. w/o Turbo:	
	Belt & Tensioner Kit .....	VKMA91003	Seal .....		16514
1995	Avalon:		(Speedi-Sleeve) .....		99169
	Belt & Tensioner Kit .....	VKMA91011	1990	Camry w/2.5L Eng.:	
1995-1994	Camry w/3.0L Eng.; Solara:		Seal .....		15815
	Belt & Tensioner Kit .....	VKMA91011	(Speedi-Sleeve) .....		99157
1995	Paseo & Tercel:		1989-1983	Camry w/2.0L Eng.:	
	Belt & Tensioner Kit .....	VKMA91015	Seal .....		16489
1995-1994	Celica & Corolla w/1.8L Eng.:		1988-1980	Tercel w/1.5L Eng. Thru 7/88:	
	Belt & Tensioner Kit .....	VKMA91006	Seal .....		12718
1995-1993	Corolla w/1.6L DOHC Eng.:		(Speedi-Sleeve) .....		99128
	Belt & Tensioner Kit .....	VKMA91005	1985-1984	Corolla w/Diesel Eng.:	
1994-1988	Tercel w/1.5L 12 Valve Eng.:		Seal .....		16489
	Belt & Tensioner Kit .....	VKMA91300	<b>Steering-Power</b>		
1993-1992	Camry w/3.0L Eng.:		<b>Pump Shaft</b>		
	Belt & Tensioner Kit .....	VKMA91001	1995	Avalon:	
1992-1990	Celica w/1.6L Eng.:		Seal .....		7089
	Belt & Tensioner Kit .....	VKMA91702	1995-1983	Camry, Celica, Paseo & Tercel:	
1992-1988	Corolla Exc. FX model:		Seal .....		7006
	Belt & Tensioner Kit .....	VKMA91702	<b>Worm Shaft</b>		
1991-1989	Camry w/2.5L Eng.:		1988	Corolla Wgn.:	
	Belt & Tensioner Kit .....	VKMA91014	Seal .....		9006
1990-1989	Celica w/2.0L Eng.:		1988-1987	Corolla FX:	
	Belt & Tensioner Kit .....	VKMA91003	Seal .....		5808
1990-1982	Tercel w/3A, 3E & 3AC Eng.s.:		1988-1987	Corolla FX16 & GTS:	
	Belt & Tensioner Kit .....	VKMA91202	Seal .....		7251
1988-1983	Corolla & Corolla FX:				
	Belt & Tensioner Kit .....	VKMA91202			
1987-1985	Corolla w/1.6L Eng.:				
	Belt & Tensioner Kit .....	VKMA91401			
1986-1983	Camry w/2.0L Eng.:				
	Belt & Tensioner Kit .....	VKMA91101			

**Toyota Passenger (RWD)**

<b>Wheel Front</b>		<b>Wheel Front (Cont.)</b>	
1995-1986	Supra:	1989-1985	MR2:
	Seal .....	Seal .....	◇16036
	Bearing .....	(Superseded by).....	16446
1995-1991	MR2:	Bearing .....	GRW141
	Seal .....	1988-1978	Cressida:
	Bearing .....	Seal .....	18962
1992-1989	Cressida:	Bearing (Inner) .....	BR6
	Seal .....	(Set Components) .....	LM67048/LM67010
	Bearing .....	Bearing (Outer) .....	BR2
	C-Clip .....	(Set Components) .....	LM11949/LM11910
			(Continued)

MFG./YEAR	MODEL & LOCATION	PART NO.	MFG./YEAR	MODEL & LOCATION	PART NO.
<b>Wheel Front (Cont.)</b>			<b>Wheel Rear</b>		
1987-1974	Corolla w/R.W.D. From 4/74:		1995-1986	Supra:	
	Seal .....	16032		Seal (Inner) .....	24800
	Bearing (Inner) .....	BR8		Seal (Outer) .....	22250
	(Set Components) .....	L45449/L45410		Bearing .....	GRW132
	Bearing (Outer) .....	BR1	1995-1991	MR2:	
	(Set Components) .....	LM11749/LM11710		Sealed Bearing .....	FW153
1986-1975	Celica & Celica Supra:		1992-1989	Cressida Sed. From 8/88:	
	Seal .....	18962		Seal (Inner) .....	22250
	Bearing (Inner) .....	BR6		Seal (Outer) .....	24800
	(Set Components) .....	LM67048/LM67010		Bearing .....	GRW132
	Bearing (Outer) .....	BR2	1989-1986	MR2 From 9/86:	
	(Set Components) .....	LM11949/LM11910		Seal (Inner) .....	22033
1984-1981	Starlet:			Seal (Outer) .....	20455
	Seal .....	15805		Seal Kit .....	22075
	Bearing (Inner) .....	BR4		Bearing .....	FW114
	(Set Components) .....	L44649/L44610	1988-1983	Cressida Sed. Thru 7/88:	
	Bearing (Outer) .....	BR1		Seal (Inner) .....	14730
	(Set Components) .....	LM11749/LM11710		Seal (Outer) .....	18865
1981-1974	Corona:			Bearing (Inner) .....	BR32006
	Seal .....	18865		Bearing (Outer) .....	BR17
	Bearing (Inner) .....	BR6		(Set Components) .....	L68149/L68111
	(Set Components) .....	LM67048/LM67010	1987-1985	Corolla GTS w/R.W.D.:	
	Bearing (Outer) .....	BR2		Seal .....	20433
	(Set Components) .....	LM11949/LM11910		Sealed Bearing w/Lock Ring .....	GRW147-R
1976-1972	Corona Mark II:		1987-1984	Corolla w/R.W.D. Exc. GTS:	
	Seal .....	18865		Seal .....	550237
	Bearing (Inner) .....	BR6		Bearing w/Lock Ring .....	88506-BR
	(Set Components) .....	LM67048/LM67010	1987-1984	Cressida Wgn.:	
	Bearing (Outer) .....	BR2		Seal .....	20433
	(Set Components) .....	LM11949/LM11910		Sealed Bearing w/Lock Ring .....	GRW124-R
1974	Celica From 4/74:		1986-1985	MR2 Thru 8/86:	
	Seal .....	16032		Seal Kit .....	20501
	Bearing (Inner) .....	BR8		Bearing .....	FW114
	(Set Components) .....	L45449/L45410	1985-1982	Celica w/o Independent Suspension:	
	Bearing (Outer) .....	BR1		Seal .....	20433
	(Set Components) .....	LM11749/LM11710		Sealed Bearing w/Lock Ring .....	GRW124-R
1974-1968	Celica & Corolla Thru 3/74:		1985-1982	Celica w/Independent Suspension; Celica Supra:	
	Seal .....	15805		Seal (Inner) .....	14730
	Bearing (Inner) .....	BR4		Seal (Outer) .....	18865
	(Set Components) .....	L44649/L44610		Bearing (Inner) .....	BR32006
	Bearing (Outer) .....	BR1		Bearing (Outer) .....	BR17
	(Set Components) .....	LM11749/LM11710		(Set Components) .....	L68149/L68111
1973-1968	Carina & Corona:		1984-1981	Starlet:	
	Seal .....	15805		Seal .....	550237
	Bearing (Inner) .....	BR4		Bearing w/Lock Ring .....	88506-BR
	(Set Components) .....	L44649/L44610	1983-1980	Corolla Exc. Wgn.:	
	Bearing (Outer) .....	BR1		Seal .....	550237
	(Set Components) .....	LM11749/LM11710		Bearing w/Lock Ring .....	88506-BR
1972-1968	Crown:		1983-1980	Corolla Wgn.:	
	Seal .....	18865		Seal .....	550237
	Bearing (Inner) .....	BR6		Sealed Bearing w/Lock Ring .....	GRW129-R
	(Set Components) .....	LM67048/LM67010	1982-1978	Cressida:	
	Bearing (Outer) .....	BR2		Seal .....	20433
	(Set Components) .....	LM11949/LM11910		Sealed Bearing w/Lock Ring .....	GRW124-R
1971-1969	Corona Mark II:		1981-1979	Celica Supra:	
	Seal .....	15805		Seal .....	20433
	Bearing (Inner) .....	BR4		Sealed Bearing w/Lock Ring .....	GRW147-R
	(Set Components) .....	L44649/L44610	1981-1976	Celica Exc. Supra:	
	Bearing (Outer) .....	BR1		Seal .....	20433
	(Set Components) .....	LM11749/LM11710		Sealed Bearing w/Lock Ring .....	GRW124-R

(Continued)

**Toyota Passenger (RWD) -- (Cont.)**

MFG./YEAR	MODEL & LOCATION	PART NO.	MFG./YEAR	MODEL & LOCATION	PART NO.
<b>Wheel Rear (Cont.)</b>			<b>Pinion (Cont.)</b>		
<b>1981-1974 Corona:</b>			<b>Rear Axle (Cont.)</b>		
	Seal .....	20433	<b>1987-1985 Corolla w/Limited Slip Diff.:</b>		
	Sealed Bearing w/Lock Ring .....	GRW124-R	Seal .....	14922	
<b>1979-1975 Corolla 1600 &amp; SR5:</b>			Bearing (Front) .....	M86649/M86610	
	Seal .....	20433	Bearing (Rear) .....	HM88649/HM88610	
	Sealed Bearing w/Lock Ring .....	GRW124-R	<b>1987-1980 Corolla w/o Limited Slip Diff.:</b>		
<b>1979-1975 Corolla 1600 Wgn.:</b>			Seal .....	14922	
	Seal .....	550237	Bearing (Front) .....	M86649/M86610	
	Sealed Bearing w/Lock Ring .....	GRW129-R	Bearing (Rear) .....	BR52	
<b>1979-1968 Corolla Exc. 1600:</b>			(Set Components) .....	M88048/M88010	
	Seal .....	550237	<b>1985 Celica w/Independent Suspension &amp; Man.</b>		
	Bearing w/Lock Ring .....	88506-BR	<b>Trans.:</b>		
<b>1976-1972 Corona Mark II:</b>			Seal .....	14767	
	Seal .....	20433	(Speedi-Sleeve) .....	99147	
	Sealed Bearing w/Lock Ring .....	GRW124-R	Bearing (Front) .....	BR30306	
<b>1975-1971 Carina &amp; Celica:</b>			Bearing (Rear) .....	BR32307	
	Seal .....	550237	<b>1985-1979 Supra:</b>		
	Bearing w/Lock Ring .....	88506-BR	Seal .....	14767	
<b>1973 Corona Wgn.:</b>			(Speedi-Sleeve) .....	99147	
	Seal .....	20433	Bearing (Front) .....	BR30306	
	Sealed Bearing w/Lock Ring .....	GRW124-R	Bearing (Rear) .....	BR32307	
<b>1973-1968 Corona Exc. Wgn.:</b>			<b>1985-1971 Celica w/o Independent Suspension:</b>		
	Seal .....	550237	Seal .....	14922	
	Bearing w/Lock Ring .....	88506-BR	Bearing (Front) .....	M86649/M86610	
<b>1972-1971 Crown Wgn. From 2/71:</b>			Bearing (Rear) .....	HM88649/HM88610	
	Seal .....	22815	<b>1984-1981 Starlet:</b>		
<b>1971-1969 Corona Mark II Exc. Wgn.:</b>			Seal .....	13954	
	Seal .....	550237	(Speedi-Sleeve) .....	99139	
	Bearing w/Lock Ring .....	88506-BR	Bearing (Front) .....	32005-C	
<b>1971-1969 Corona Mark II Wgn.:</b>			Bearing (Rear) .....	M86649/M86610	
	Seal .....	20433	<b>1981-1971 Carina &amp; Corona Exc. Wgn.:</b>		
	Sealed Bearing w/Lock Ring .....	GRW124-R	Seal .....	14922	
<b>1971-1969 Crown Exc. Wgn.:</b>			Bearing (Front) .....	M86649/M86610	
	Seal .....	20433	Bearing (Rear) .....	HM88649/HM88610	
	Sealed Bearing w/Lock Ring .....	GRW124-R	<b>1979-1975 Corolla 1600 Exc. SR5:</b>		
<b>1971-1968 Crown Wgn. Thru 1/71:</b>			Seal .....	14922	
	Seal (Inner) .....	19630	Bearing (Front) .....	M86649/M86610	
	Seal (Outer) .....	18964	Bearing (Rear) .....	BR52	
	Bearing .....	6208-2RSJ	(Set Components) .....	M88048/M88010	
<b>Pinion</b>			<b>1979-1975 Corolla 1600 SR5:</b>		
<b>Rear Axle</b>			Seal .....	14922	
<b>1995-1993 Supra w/5 Spd. Trans.:</b>			Bearing (Front) .....	M86649/M86610	
	Seal .....	17803	Bearing (Rear) .....	HM88649/HM88610	
	Bearing (Front) .....	HM88649/HM88610	<b>1979-1970 Corolla 1200 From 6/70:</b>		
<b>1995-1993 Supra w/6 Spd. Trans.:</b>			Seal .....	13954	
	Seal .....	19650	(Speedi-Sleeve) .....	99139	
<b>1992-1988 Cressida Sed. From 8/88:</b>			Bearing (Front) .....	32005-C	
	Seal .....	14767	Bearing (Rear) .....	M86649/M86610	
	(Speedi-Sleeve) .....	99147	<b>1976-1973 Corona Mark II:</b>		
	Bearing (Front) .....	BR30306	Seal .....	14767	
	Bearing (Rear) .....	32307-A89	(Speedi-Sleeve) .....	99147	
<b>1992-1986 Supra:</b>			Bearing (Front) .....	BR30306	
	Seal .....	14767	Bearing (Rear) .....	BR32307	
	(Speedi-Sleeve) .....	99147	<b>1975-1973 Corona Wgn.:</b>		
	Bearing (Front) .....	BR30306	Seal .....	14767	
	Bearing (Rear) .....	32307-A89	(Speedi-Sleeve) .....	99147	
<b>1988-1978 Cressida Thru 7/88:</b>			Bearing (Front) .....	BR30306	
	Seal .....	14767	Bearing (Rear) .....	BR32307	
	(Speedi-Sleeve) .....	99147		(Continued)	
	Bearing (Front) .....	BR30306			
	Bearing (Rear) .....	BR32307			

MFG./YEAR	MODEL & LOCATION	PART NO.	MFG./YEAR	MODEL & LOCATION	PART NO.
<b>Pinion (Cont.)</b>			<b>Differential (Cont.)</b>		
<b>Rear Axle (Cont.)</b>			<b>Rear Axle (Cont.)</b>		
1974-1973	Corolla 1600 SR5:		1984-1983	Starlet:	
	Seal .....	13954		Bearing .....	BR5
	(Speedi-Sleeve) .....	99139		(Set Components) .....	LM48548/LM48510
	Bearing (Front) .....	M86649/M86610	1982-1981	Starlet:	
	Bearing (Rear) .....	HM88649/HM88610		Bearing .....	BR15123/BR15245
1974-1971	Corolla 1600 Exc. SR5:		1982-1978	Cressida Exc. Wgn.:	
	Seal .....	13954		Bearing .....	KC11445-Y
	(Speedi-Sleeve) .....	99139		(Set Components) .....	BR17887/BR17831
	Bearing (Front) .....	M86649/M86610	1981-1980	Celica Supra w/o Limited Slip Diff.:	
	Bearing (Rear) .....	BR52		Bearing .....	KC11445-Y
	(Set Components) .....	M88048/M88010		(Set Components) .....	BR17887/BR17831
1972-1969	Corona Mark II Wgn. & Crown:		1981-1980	Celica Supra w/Limited Slip Diff.:	
	Seal .....	14767		Bearing .....	32010-X
	(Speedi-Sleeve) .....	99147	1981-1976	Corona:	
	Bearing (Front) .....	BR30306		Bearing .....	BR35
	Bearing (Rear) .....	BR32307		(Set Components) .....	LM501349/LM501310
1971	Corona Mark II Exc. Wgn.:		1979-1975	Corolla SR5:	
	Seal .....	14922		Bearing .....	BR35
	Bearing (Front) .....	M86649/M86610		(Set Components) .....	LM501349/LM501310
	Bearing (Rear) .....	HM88649/HM88610	1976-1972	Corona Mark II:	
1970-1968	Corolla 1100 & 1200 Thru 5/70:			Bearing .....	KC11445-Y
	Seal .....	15750		(Set Components) .....	BR17887/BR17831
	(Speedi-Sleeve) .....	99157	1975-1973	Corona Wgn.:	
	Bearing (Front) .....	32005-C		Bearing .....	KC11445-Y
	Bearing (Rear) .....	M86649/M86610		(Set Components) .....	BR17887/BR17831
1970-1968	Corona & Corona Mark II Exc. Wgn.:		1975-1971	Carina & Corona Exc. Wgn.:	
	Seal .....	14922		Bearing .....	BR35
	Bearing (Front) .....	M86649/M86610		(Set Components) .....	LM501349/LM501310
	Bearing (Rear) .....	BR52	1972-1968	Crown:	
	(Set Components) .....	M88048/M88010		Bearing .....	KC11445-Y
				(Set Components) .....	BR17887/BR17831
<b>Differential</b>			<b>Clutch</b>		
<b>Rear Axle</b>			<b>Pilot</b>		
1995-1993	Supra w/5 Spd. Trans.:		1995-1979	Supra:	
	Seal .....	18513		Bearing .....	6201-2RSJ
1995-1993	Supra w/6 Spd. Trans.:		1995-1991	MR2 Turbo:	
	Seal .....	17813		Bearing .....	MR3058-EV
1994-1991	MR2 w/Turbo w/Man. Trans.:		1995-1991	MR2 w/o Turbo:	
	Bearing (L.H.) .....	BR30210		Bearing .....	M5206-EX
1992-1988	Cressida Sed. From 8/88:		1990-1968	Exc. Carina, Corolla & Starlet:	
	Seal .....	16917		Bearing .....	6201-2RSJ
	(Speedi-Sleeve) .....	99182	1989-1988	MR2 SC:	
1992-1986	Supra:			Bearing .....	MR3058-EV
	Seal .....	16917	1987-1975	Corolla & Starlet:	
	(Speedi-Sleeve) .....	99182		Bearing .....	6001-2ZJ
1988	MR2 w/SC & Man. Trans. From 8/87:		1973-1972	Carina:	
	Bearing (L.H.) .....	BR30210		Bearing .....	6001-2ZJ
1988-1983	Cressida Sed. Thru 7/88:		<b>Release</b>		
	Seal .....	14749	1995-1993	Supra Turbo w/6 Spd. Trans. From 5/93:	
	(Speedi-Sleeve) .....	99147		Bearing Only .....	N4121
1987-1985	Corolla w/Limited Slip Diff.:				(Continued)
	Bearing .....	BR35			
	(Set Components) .....	LM501349/LM501310			
1987-1981	Cressida Wgn.:				
	Bearing .....	KC11445-Y			
	(Set Components) .....	BR17887/BR17831			
1987-1968	Corolla w/o Limited Slip Diff. Exc. SR5:				
	Bearing .....	BR5			
	(Set Components) .....	LM48548/LM48510			
1985-1971	Carina & Celica Exc. Independent Suspension:				
	Bearing .....	BR35			
	(Set Components) .....	LM501349/LM501310			

**Toyota Passenger (RWD) -- (Cont.)**

MFG./YEAR	MODEL & LOCATION	PART NO.	MFG./YEAR	MODEL & LOCATION	PART NO.
<b>Clutch (Cont.)</b>			<b>Transaxle-Automatic (Cont.)</b>		
<b>Release (Cont.)</b>			<b>Output Shaft</b>		
1995-1988	Supra w/5 Spd. Trans. From 9/88:		1995-1991	MR2:	
	Bearing Assembly .....	N4099		Seal (L.H.) .....	13858
1995-1991	MR2 w/o Turbo:			Seal (R.H.) .....	14021
	Bearing Assembly .....	N4108	1989-1988	MR2 w/o SC From 11/87:	
1995-1991	MR2 w/Turbo:			Seal (L.H.) .....	13478
	Bearing Assembly .....	N4102		Seal (R.H.) .....	13439
1989-1988	MR2 w/SC:		1989-1988	MR2 w/SC From 11/87:	
	Bearing Assembly .....	N4085		Seal (L.H.) .....	13858
1989-1987	MR2 Exc. SC From 8/87:			Seal (R.H.) .....	13750
	Bearing Assembly .....	N4024		(Speedi-Sleeve) (R.H.) .....	99138
1988-1987	Supra Turbo:		1987	MR2 w/SC Thru 10/87:	
	Bearing Only .....	N3074		Seal (R.H.) .....	13750
1988-1981	Celica, Corolla, Cressida & Supra w/o Turbo:			(Speedi-Sleeve) (R.H.) .....	99138
	Bearing Only .....	N3064	1987-1986	MR2 w/o SC From 8/86 Thru 10/87:	
	Bearing Assembly .....	◇ N3011		Seal (L.H.) .....	13478
	(Superseded by:) .....	N2043		Seal (R.H.) .....	13439
1986-1985	MR2:		1986	MR2 w/o SC Thru 8/86:	
	Bearing Assembly .....	N4024		Seal .....	13439
1984-1981	Starlet:		<b>Transaxle-Manual</b>		
	Bearing Only .....	N3039	<b>Input Shaft</b>		
	Bearing Assembly .....	N3010	1995-1991	MR2:	
1980-1978	Corolla 1600 & 1800:			Seal .....	12250
	Bearing Only .....	N3064		(Speedi-Sleeve) .....	99123
1980-1978	Corona, Celica & Supra:		1989-1988	MR2 w/SC:	
	Bearing Only .....	N3064		Seal .....	12250
	Bearing Assembly .....	◇ N3008		(Speedi-Sleeve) .....	99049
	(Superseded by:) .....	N3064	1989-1985	MR2 w/o SC:	
1979-1974	Corolla 1200 From 4/74:			Seal .....	9715
	Bearing Only .....	N3039		(Speedi-Sleeve) .....	99098
1977-1975	Corolla 1100 & 1600:		<b>Output Shaft</b>		
	Bearing Only .....	N3055	1994-1991	MR2 w/o Turbo From 5/91:	
	Bearing Assembly .....	N3007		Seal .....	14021
1977-1971	Celica & Corona:		1994-1991	MR2 w/Turbo:	
	Bearing Only .....	N2043		Seal (L.H.) .....	15669
	Bearing Assembly .....	◇ N3006		Seal (R.H.) .....	19578
	(Superseded by:) .....	N2043		(Speedi-Sleeve) (R.H.) .....	99196
1976-1970	Corona Mark II & Crown From 2/70:		1991	MR2 w/o Turbo Thru 5/91:	
	Bearing Only .....	N2043		Seal .....	13750
	Bearing Assembly .....	◇ N3006		(Speedi-Sleeve) .....	99138
	(Superseded by:) .....	N2043	1989-1988	MR2 w/SC:	
1974	Corolla 1600 From 4/74:			Seal (L.H.) .....	15669
	Bearing Only .....	N3039		Seal (R.H.) .....	19578
1974-1971	Corolla 1600 From 5/70 Thru 3/74:		1989-1985	MR2 w/o SC:	
	Bearing Only .....	N3039		Seal (L.H.) .....	13441
1974-1970	Carina & Corolla 1200 From 5/70 Thru 3/74:			Seal (R.H.) .....	13478
	Bearing Only .....	N3055	<b>Transmission-Automatic</b>		
	Bearing Assembly .....	N3007	<b>Front Pump</b>		
1971-1970	Corona & Crown Canada Models:		1995-1993	Supra:	
	Bearing Only .....	N2043		Seal .....	14772
1970-1968	Corolla Thru 4/70:			(Speedi-Sleeve) .....	99147
	Bearing Only .....	N3039	1992-1974	Celica, Cressida & Supra:	
1970-1968	Corona, Corona Mark II & Crown Thru 1/70:			Seal .....	14720
	Bearing Only .....	N3055		(Speedi-Sleeve) .....	99147
<b>Transaxle-Automatic</b>			1987-1973	Corolla w/o 2 Spd. Trans.:	
<b>Front Pump</b>				Seal .....	14720
1995-1991	MR2:			(Speedi-Sleeve) .....	99147
	Seal .....	14720	1981-1973	Corona From 2/73:	
	(Speedi-Sleeve) .....	99147		Seal .....	14720
1989-1986	MR2:			(Speedi-Sleeve) .....	99147
	Seal .....	14720			
	(Speedi-Sleeve) .....	99147			

(Continued)

# Passenger cars, light & medium trucks

## (Cont.) -- Toyota Passenger (RWD)

MFG./YEAR	MODEL & LOCATION	PART NO.	MFG./YEAR	MODEL & LOCATION	PART NO.
<b>Transmission-Automatic (Cont.)</b>			<b>Transmission-Manual (Cont.)</b>		
<b>Front Pump (Cont.)</b>			<b>Front (Cont.)</b>		
<b>1976-1968 Carina, Corona Mark II &amp; Crown:</b>			<b>1973-1972 Carina:</b>		
	Seal .....	17758		Seal .....	11136
	(Speedi-Sleeve) .....	99177		(Speedi-Sleeve) .....	99112
<b>1974-1968 Corolla w/2 Spd. Trans.:</b>			<b>1972-1971 Crown From 2/71:</b>		
	Seal .....	550244		Bearing .....	6209-ZNRJ
	(Speedi-Sleeve) .....	99182		Seal .....	11615
<b>1973 Celica:</b>				(Speedi-Sleeve) .....	99114
	Seal .....	17758		Bearing .....	6209-ZNRJ
	(Speedi-Sleeve) .....	99177	<b>1971-1970 Corona, Corona Mark II &amp; Crown From 2/70 Thru 1/71:</b>		
<b>1973-1970 Corona Thru 1/73:</b>				Seal .....	12735
	Seal .....	17758		(Speedi-Sleeve) .....	99128
	(Speedi-Sleeve) .....	99177		Bearing .....	6209-ZNRJ
<b>1969-1968 Corona:</b>			<b>1970-1968 Corolla Thru 5/70:</b>		
	Seal .....	19631		Seal .....	7914
	(Speedi-Sleeve) .....	99196		(Speedi-Sleeve) .....	99078
<b>Rear</b>				Bearing .....	6206-ZNRJ
<b>1995-1988 Cressida From 8/88 &amp; Supra:</b>			<b>1970-1968 Corona, Corona Mark II &amp; Crown Thru 1/70:</b>		
	Seal .....	15700		Seal .....	11136
	(Speedi-Sleeve) .....	99157		(Speedi-Sleeve) .....	99112
<b>1988-1986 Cressida Thru 7/88:</b>				Bearing .....	6209-ZNRJ
	Seal .....	14753	<b>Rear</b>		
	(Speedi-Sleeve) .....	99147	<b>1992-1991 Supra w/o Turbo From 12/91:</b>		
<b>1988-1968 Exc. Corolla w/2 Spd. Trans.:</b>				Seal .....	14753
	Seal .....	14730		(Speedi-Sleeve) .....	99147
	(Speedi-Sleeve) .....	99147	<b>1992-1986 Supra w/Turbo:</b>		
<b>1974-1968 Corolla w/2 Spd. Trans.:</b>				Seal .....	15750
	Seal .....	12748		(Speedi-Sleeve) .....	99157
	(Speedi-Sleeve) .....	99128	<b>1991-1990 Supra w/o Turbo From 11/91:</b>		
<b>Transmission-Manual</b>				Seal .....	14730
<b>Front</b>				(Speedi-Sleeve) .....	99147
<b>1995-1993 Supra w/Turbo:</b>			<b>1989-1969 Exc. Carina, Corolla, Supra w/Turbo &amp; Starlet:</b>		
	Seal .....	14016		Seal .....	14730
	(Speedi-Sleeve) .....	99146		(Speedi-Sleeve) .....	99147
<b>1995-1991 Supra w/o Turbo From 11/91:</b>			<b>1987-1968 Carina, Corolla &amp; Starlet:</b>		
	Seal .....	11622		Seal .....	12745
	(Speedi-Sleeve) .....	99114		(Speedi-Sleeve) .....	99128
<b>1992-1987 Supra w/Turbo:</b>			<b>Air Conditioning Clutch</b>		
	Seal .....	12747	<b>1979-1970 Corolla:</b>		
	(Speedi-Sleeve) .....	99128		Bearing .....	6006-RSJ
<b>1991-1990 Supra w/o Turbo Thru 10/91:</b>			<b>1976-1969 Corona Mark II:</b>		
	Seal .....	11615		Bearing .....	6006-RSJ
	(Speedi-Sleeve) .....	99114	<b>1974-1970 Carina &amp; Corona:</b>		
<b>1989-1971 Celica, Cressida &amp; Supra w/o Turbo:</b>				Bearing .....	6006-RSJ
	Seal .....	11615	<b>Alternator</b>		
	(Speedi-Sleeve) .....	99114	<b>1995-1991 MR2 w/70 Amp. w/o Turbo:</b>		
<b>1987-1975 Corolla &amp; Starlet:</b>				Bearing (Rear) .....	6302-2RSJ
	Seal .....	9723	<b>1995-1991 MR2 w/70, 80 &amp; 100 Amp. w/Turbo:</b>		
	(Speedi-Sleeve) .....	99098		Bearing (Rear) .....	6302-2RSJ
<b>1981-1972 Corona:</b>			<b>1992-1988 Cressida w/80 Amp.:</b>		
	Seal .....	11615		Bearing (Rear) .....	6302-2RSJ
	(Speedi-Sleeve) .....	99114	<b>1992-1988 Supra w/70 Amp.:</b>		
<b>1976-1971 Corona Mark II From 2/71:</b>				Bearing (Rear) .....	6302-2RSJ
	Seal .....	11615	<b>1988-1987 Cressida From 2/87:</b>		
	(Speedi-Sleeve) .....	99114		Bearing (Rear) .....	6302-2RSJ
<b>1974-1970 Corolla From 5/70:</b>			<b>1988-1987 Supra w/80 Amp.:</b>		
	Seal .....	9878		Bearing (Rear) .....	6302-2RSJ
	(Speedi-Sleeve) .....	99100	<b>1987 Corolla w/55 Amp.:</b>		
	(Speedi-Sleeve/Seal Kit) .....	480099		Bearing (Front) .....	6303-2RSJ
	Bearing .....	6206-ZNRJ		Bearing (Rear) .....	6201-2RSJ
					(Continued)

**Toyota Passenger (RWD) -- (Cont.)**

MFG./YEAR	MODEL & LOCATION	PART NO.	MFG./YEAR	MODEL & LOCATION	PART NO.
<b>Alternator (Cont.)</b>			<b>Alternator (Cont.)</b>		
1987	Cressida Thru 1/87:		1974-1971	Celica:	
	Bearing (Front) .....	6204-2RSJ		Bearing (Front) .....	6203-ZJ
	Bearing (Rear) .....	6302-2RSJ		Bearing (Rear) .....	6201-J
1987-1986	Supra w/70 Amp.:		1974-1971	Corolla w/30 Amp. From 2/71 Exc. 2T Eng.:	
	Bearing (Front) .....	6204-2RSJ		Bearing (Front) .....	6202-ZJ
	Bearing (Rear) .....	6302-2RSJ		Bearing (Rear) .....	6201-J
1986-1985	Celica, Corolla, Cressida & MR2 w/60 Amp.:		1974-1968	Corona:	
	Bearing ..... [2]	6302-2RSJ		Bearing (Front) .....	6203-ZJ
1986-1980	Corolla w/55 Amp.:			Bearing (Rear) .....	6201-J
	Bearing (Front) .....	6203-2RSJ	1973-1969	Carina & Corona Mark II w/45 Amp.:	
	Bearing (Rear) .....	6201-2RSJ		Bearing (Front) .....	6203-ZJ
1985-1984	Cressida From 9/83 Exc. 70 Amp.:			Bearing (Rear) .....	6201-J
	Bearing ..... [2]	6302-2RSJ	1972-1971	Crown w/55 Amp.:	
1985-1982	Celica Supra:			Bearing (Front) .....	6303-2RSJ
	Bearing ..... [2]	6302-2RSJ		Bearing (Rear) .....	6201-2RSJ
1984	Celica Exc. Supra:		1972-1968	Crown w/45 Amp.:	
	Bearing (Front) .....	6203-2RSJ		Bearing (Front) .....	6203-ZJ
	Bearing (Rear) .....	6201-2RSJ		Bearing (Rear) .....	6201-J
1984-1983	Starlet:		1971	Corolla w/2T Eng.:	
	Bearing (Front) .....	6203-2RSJ		Bearing (Front) .....	6203-ZJ
	Bearing (Rear) .....	6201-2RSJ		Bearing (Rear) .....	6201-J
1983	Cressida From 8/83:		1971-1968	Corolla Thru 1/71 Exc. 2T Eng.:	
	Bearing ..... [2]	6302-2RSJ		Bearing (Front) .....	6202-J
1983-1982	Celica:			Bearing (Rear) .....	6201-J
	Bearing ..... [2]	6302-2RSJ	<b>Drive Shaft</b>		
1983-1978	Cressida Thru 7/83:		1995	Supra:	
	Bearing (Front) .....	6203-2RSJ		Bearing & Support .....	HB1710-10
	Bearing (Rear) .....	6201-2RSJ	1988-1985	Cressida:	
1982-1980	Corolla & Starlet w/50 Amp.:			Bearing & Support .....	HB1500-60
	Bearing (Front) .....	6203-2RSJ	1985-1982	Celica:	
	Bearing (Rear) .....	6201-ZJ		Bearing & Support .....	HB2380-20
1981-1977	Celica From 2/77; Celica Supra & Corona w/50 Amp.:		1984-1980	Cressida:	
	Bearing (Front) .....	6203-2RSJ		Bearing & Support .....	HB1380-80
	Bearing (Rear) .....	6201-2RSJ	1983-1980	Corolla:	
1979-1977	Corolla:			Bearing & Support .....	HB1500-40
	Bearing (Front) .....	6203-2ZJ	1976-1973	Corona 1600, 1800 & 2000:	
	Bearing (Rear) .....	6201-2ZJ		Bearing Only .....	6206-2RSJ
1977-1976	Celica Thru 1/77:		<b>Engine</b>		
	Bearing (Front) .....	6303-2RSJ	<b>Auxiliary Shaft</b>		
	Bearing (Rear) .....	6201-2ZJ	1992-1983	Cressida:	
1976-1975	Corolla w/2TC Eng.; Corona w/20R Eng.:			Seal .....	16514
	Bearing (Front) .....	6203-2ZJ		(Speedi-Sleeve) .....	99169
	Bearing (Rear) .....	6201-2ZJ	1989-1982	Supra:	
1976-1975	Corolla w/3KC Eng.:			Seal .....	16514
	Bearing (Front) .....	6203-ZJ		(Speedi-Sleeve) .....	99169
	Bearing (Rear) .....	6201-J	<b>Camshaft</b>		
1976-1975	Corona Mark II w/45 & 55 Amp.:		1995-1993	Supra:	
	Bearing (Front) .....	6303-2RSJ		Seal .....	15910
	Bearing (Rear) .....	6201-2ZJ	1995-1991	MR2 w/o Turbo:	
1975	Celica:			Seal .....	14713
	Bearing (Front) .....	6203-2RSJ		(Speedi-Sleeve) .....	99147
	Bearing (Rear) .....	6201-2ZJ	1995-1991	MR2 w/Turbo:	
1974	Corona Mark II w/45 Amp. Exc. California Specs.:			Seal .....	13857
	Bearing (Front) .....	6203-2RSJ		(Speedi-Sleeve) .....	99139
	Bearing (Rear) .....	6201-J	1992-1989	Cressida:	
1974	Corona Mark II w/45 Amp. & California Specs.:			Seal .....	13857
	Bearing (Front) .....	6203-2RSJ		(Speedi-Sleeve) .....	99139
	Bearing (Rear) .....	6201-2ZJ	1992-1985	Supra From 7/85:	
1974-1972	Corolla w/40 Amp.:			Seal .....	13857
	Bearing (Front) .....	6203-ZJ		(Speedi-Sleeve) .....	99139
	Bearing (Rear) .....	6201-J			(Continued)



# Passenger cars, light & medium trucks

(Cont.) -- Toyota Passenger (RWD)

MFG./YEAR	MODEL & LOCATION	PART NO.	MFG./YEAR	MODEL & LOCATION	PART NO.
<b>Engine (Cont.)</b>			<b>Engine (Cont.)</b>		
<b>Camshaft (Cont.)</b>			<b>Timing Belt Tensioner (Cont.)</b>		
1989-1985	MR2:		1988-1981	Cressida:	
	Seal .....	13857		Bearing & Housing Assy. ....	VKM71404
	(Speedi-Sleeve) .....	99139	1985-1982	Celica Supra:	
1988-1987	Cressida:			Bearing & Housing Assy. ....	VKM71404
	Seal .....	15292	<b>Timing Belt and Tensioner Kit</b>		
	(Speedi-Sleeve) .....	99147	1993-1991	MR2:	
1987-1984	Corolla:			Belt & Tensioner Kit .....	VKMA91003
	Seal .....	13857	1988-1984	Cressida & Supra:	
	(Speedi-Sleeve) .....	99139		Belt & Tensioner Kit .....	VKMA91009
1986-1983	Cressida; Supra Thru 6/85:		<b>Timing Cover</b>		
	Seal .....	15292	1995-1993	Supra:	
	(Speedi-Sleeve) .....	99147		Seal .....	18014
<b>Crankshaft-Rear</b>				(Speedi-Sleeve) .....	99181
1995-1993	Supra:		1994-1991	MR2 w/o Turbo:	
	Seal .....	36005		Seal .....	16489
	(Speedi-Sleeve) .....	99360	1994-1991	MR2 w/Turbo:	
1995-1991	MR2 w/Turbo:			Seal .....	16514
	Seal .....	35405		(Speedi-Sleeve) .....	99169
	(Speedi-Sleeve) .....	99364	1992-1988	Cressida From 8/88:	
1994-1991	MR2 w/o Turbo:			Seal .....	20432
	Seal .....	33408		(Speedi-Sleeve) .....	99204
	(Speedi-Sleeve) .....	99333	1992-1986	Supra From 1/86:	
1992-1971	Celica, Celica Supra & Cressida:			Seal .....	20432
	Seal .....	31511		(Speedi-Sleeve) .....	99204
	(Speedi-Sleeve) .....	99317	1989-1985	MR2:	
1989-1985	MR2:			Seal .....	12718
	Seal .....	27750		(Speedi-Sleeve) .....	99128
	(Speedi-Sleeve) .....	99276	1988-1983	Cressida Thru 7/88:	
1987-1984	Corolla:			Seal .....	18974
	Seal .....	27750		(Speedi-Sleeve) .....	99189
	(Speedi-Sleeve) .....	99276	1987-1983	Corolla:	
1984-1981	Starlet:			Seal .....	12718
	Seal .....	27750		(Speedi-Sleeve) .....	99128
	(Speedi-Sleeve) .....	99276	1985-1983	Supra Thru 12/85:	
1982-1980	Corolla w/3TC Eng.:			Seal .....	18974
	Seal .....	29542		(Speedi-Sleeve) .....	99189
	(Speedi-Sleeve) .....	99294	1985-1978	Celica Exc. Supra:	
1981-1971	Corona Exc. Mk. II From 2/71:			Seal .....	17758
	Seal .....	31511		(Speedi-Sleeve) .....	99177
	(Speedi-Sleeve) .....	99317	1984-1982	Starlet From 5/82:	
1979-1968	Corolla w/3K Eng.:			Seal .....	14732
	Seal .....	27750		(Speedi-Sleeve) .....	99147
	(Speedi-Sleeve) .....	99276	1982-1981	Starlet Thru 4/82:	
1976-1968	Corona Mark II & Crown:			Seal .....	15292
	Seal .....	31511		(Speedi-Sleeve) .....	99147
	(Speedi-Sleeve) .....	99317	1982-1978	Cressida Thru 8/82:	
1973-1972	Carina:			Seal .....	17255
	Seal .....	29542		(Speedi-Sleeve) .....	99177
	(Speedi-Sleeve) .....	99294	1982-1975	Corolla:	
<b>Timing Belt Tensioner</b>				Seal .....	15292
1995-1993	Supra:			(Speedi-Sleeve) .....	99147
	Bearing & Housing Assy. ....	VKM71010	1981-1979	Celica Supra:	
1995-1991	MR2 w/SC & Turbo:			Seal .....	17255
	Bearing & Housing Assy. ....	VKM71006		(Speedi-Sleeve) .....	99177
1995-1991	MR2 w/2.0 & 2.2L Eng. w/o Turbo:		1981-1978	Corona From 2/78:	
	Bearing & Housing Assy. ....	VKM71003		Seal .....	17758
1992-1989	Cressida:			(Speedi-Sleeve) .....	99177
	Bearing & Housing Assy. ....	VKM71700	1978-1971	Celica Thru 1/78:	
1992-1986	Supra:			Seal .....	17255
	Bearing & Housing Assy. ....	VKM71700		(Speedi-Sleeve) .....	99177

(Continued)

**Toyota Passenger (RWD) -- (Cont.)**

MFG./YEAR	MODEL & LOCATION	PART NO.	MFG./YEAR	MODEL & LOCATION	PART NO.
<b>Engine (Cont.)</b>			<b>Steering-Standard</b>		
<b>Timing Cover (Cont.)</b>			<b>Pitman Shaft</b>		
1978-1971	Corona From 2/71 Thru 1/78:		1981-1968	Carina, Celica, Corolla, Corona & Corona Mark II:	
	Seal .....	17255		Seal .....	10930
	(Speedi-Sleeve) .....	99177	1974-1970	Corolla From 5/70:	
1976-1969	Corona Mark II:			Seal .....	10924
	Seal .....	17255	1971-1968	Crown:	
	(Speedi-Sleeve) .....	99177		Seal .....	10947
1974-1971	Carina & Corolla w/2T Eng.:		1970-1968	Corolla Thru 4/70:	
	Seal .....	14922		Seal .....	9723
1974-1969	Corolla w/3K Eng.:		<b>Worm Shaft</b>		
	Seal .....	15292	1981-1975	Celica & Corona:	
	(Speedi-Sleeve) .....	99147		Seal .....	7210
1972-1968	Crown:			(Superseded by:)	7473
	Seal .....	17255	1979-1975	Corolla:	
	(Speedi-Sleeve) .....	99177		Seal .....	6757
1970-1968	Corona:		1977-1969	Carina, Celica & Corona Mark II:	
	Seal .....	15292		Seal .....	6757
	(Speedi-Sleeve) .....	99147	1974-1970	Corolla From 5/70:	
<b>Steering-Power</b>				Seal .....	11605
<b>Pump Shaft</b>			1974-1968	Corona & Crown:	
1995-1994	Supra:			Seal .....	6757
	Seal .....	6992	1970-1968	Corolla Thru 4/70:	
1991-1989	Cressida:			Seal .....	10947
	Seal .....	7007			
1988-1983	Cressida:				
	Bearing .....	6203-J			
1987-1984	Corolla:				
	Seal .....	7006			
1986-1982	Celica & Celica Supra:				
	Bearing .....	6203-J			
1982-1980	Corolla:				
	Bearing .....	6203-J			
1981	Corona:				
	Bearing .....	6203-J			

**Toyota Previa**

<b>Wheel Front (2 W/D)</b>		<b>Pinion</b>	
1995-1991	Previa:	<b>Front Axle</b>	
	Seal .....	1995-1991	Previa:
	Bearing .....		Seal .....
			14758
			Bearing (Front) .....
			HM88649/HM88610
			Bearing (Rear) .....
			M86649/M86610
<b>Wheel Front (A.W.D.)</b>		<b>Rear Axle</b>	
1995-1991	Previa:	1995-1991 Previa From 8/91:	
	Seal (Inner) .....		Seal .....
	22042		14767
	Seal (Outer) .....		(Speedi-Sleeve) .....
	23885		99147
	Bearing .....		Bearing (Front) .....
	FW148		BR32307
<b>Axle Shaft</b>			Bearing (Rear) .....
1995	Previa:		BR30306
	Seal .....	1991	Previa Thru 7/91:
	13725		Seal .....
<b>Wheel Rear</b>			14767
1995-1991	Previa w/o Disc Brks.:		(Speedi-Sleeve) .....
	Seal .....		99147
	20433	<b>Differential</b>	
	Sealed Bearing w/Lock Ring .....	<b>Front Axle</b>	
	GRW158-R	1995-1991 Previa:	
1995-1991	Previa w/Disc Brks.:		
	Seal (Inner) .....	Bearing (Side) .....	
	13845	BR3610	
	Seal (Outer) .....	(Continued)	
	20433		
	Sealed Bearing w/Lock Ring .....		
	GRW181-R		

# Passenger cars, light & medium trucks

(Cont.) -- Toyota Previa

MFG./YEAR	MODEL & LOCATION	PART NO.	MFG./YEAR	MODEL & LOCATION	PART NO.
<b>Differential (Cont.)</b>			<b>Transmission-Automatic (Cont.)</b>		
<b>Rear Axle</b>			<b>Rear (Cont.)</b>		
1994-1991 Previa:			1995-1991 Previa w/A.W.D.:		
	Bearing .....	KC11445-Y		Seal .....	15829
	(Set Components) .....	BR17887/BR17831		(Speedi-Sleeve) .....	99157
<b>Clutch</b>			<b>Transmission-Manual</b>		
<b>Pilot</b>			<b>Front</b>		
1993-1991 Previa:			1995-1991 Previa:		
	Bearing .....	6201-2RSJ		Seal .....	11622
<b>Release</b>				(Speedi-Sleeve) .....	99114
1993-1991 Previa:			<b>Rear</b>		
	Bearing Assembly .....	N4099	1995-1991 Previa:		
<b>Transfer Case</b>				Seal .....	14753
<b>Front Output Shaft</b>				(Speedi-Sleeve) .....	99147
1995-1992 Previa From 10/92:			<b>Alternator</b>		
	Seal .....	14917	1995-1991 70 Amp.:		
1992-1991 Previa Thru 9/92:				Bearing (Rear) .....	6302-2RSJ
	Seal .....	14747	<b>Engine</b>		
<b>Oil Pump</b>			<b>Crankshaft-Rear</b>		
1995-1991 Previa w/Auto. Trans.:			1995-1991 4 Cyl. Eng.:		
	Seal .....	15984		Seal .....	35120
1994-1991 Previa w/Man. Trans.:				(Speedi-Sleeve) .....	99350
	Seal .....	15984	<b>Timing Cover</b>		
<b>Rear Extension</b>			1995-1991 4 Cyl. Eng.:		
1995-1991 Previa:				Seal .....	19092
	Seal .....	21064	<b>Steering-Power</b>		
	(Speedi-Sleeve) .....	99210	<b>Pump Shaft</b>		
<b>Rear Output Shaft</b>			1994-1991 Previa:		
1995-1991 Previa:				Seal .....	6992
	Seal .....	9005	<b>Transmission-Automatic</b>		
<b>Front Pump</b>			1995-1991 Previa:		
	Seal .....	14772	(Speedi-Sleeve) .....		
	(Speedi-Sleeve) .....	99147	<b>Rear</b>		
1995-1991 Previa w/o A.W.D.:			1995-1991 Previa w/o A.W.D.:		
	Seal .....	14753		Seal .....	14753
	Seal (Dust) .....	14730		Seal (Dust) .....	14730
	(Speedi-Sleeve) (Dust) .....	99147		(Speedi-Sleeve) (Dust) .....	99147

## Toyota Truck

### Wheel Front (2 W/D)

1995	Tacoma Exc. PreRunner:	
	Seal .....	19608
	Bearing (Inner) .....	BR5
	(Set Components) .....	LM48548/LM48510
	Bearing (Outer) .....	BR3
	(Set Components) .....	M12649/M12610
1995-1993	T100:	
	Seal .....	19608
	Bearing (Outer) .....	BR1380/BR1328
1995-1975	Pickup:	
	Seal .....	19596
	Bearing (Inner) .....	BR5
	(Set Components) .....	LM48548/LM48510
	Bearing (Outer) .....	BR3
	(Set Components) .....	M12649/M12610

### Wheel Front (2 W/D) (Cont.)

1989-1984	Van:	
	Seal .....	18962
	Bearing (Inner) .....	BR6
	(Set Components) .....	LM67048/LM67010
	Bearing (Outer) .....	BR2
	(Set Components) .....	LM11949/LM11910
1974-1972	Pickup:	
	Seal .....	19596
	Bearing (Inner) .....	BR15123/BR15245
	Bearing (Outer) .....	BR09067/BR09195

(Continued)

**Toyota Truck -- (Cont.)**

MFG./YEAR	MODEL & LOCATION	PART NO.	MFG./YEAR	MODEL & LOCATION	PART NO.
<b>Wheel Front (2 W/D) (Cont.)</b>			<b>Wheel Rear (Cont.)</b>		
1970-1969	Hilux:		1995-1992	Land Cruiser w/Full-Floating Axle From 9/92:	
	Bearing (Inner) .....	BR15123/BR15245		Seal (Inner) .....	24642
	Bearing (Outer) .....	BR09067/BR09195		Seal (Outer) .....	13911
<b>Wheel Front (4 W/D)</b>				Bearing (Inner) .....	JLM104948/JLM104910
1995	Tacoma:			Bearing (Outer) .....	BR50
	Seal (Inner) .....	27117		(Set Components) .....	LM102949/LM102910
	Seal (Outer) .....	35418	1995-1985	Pickup w/Dual Rr. Whls.:	
	Bearing .....	FW189		Seal (Inner) .....	24635
1995-1993	T100:			Seal (Outer) .....	13911
	Seal (Inner) .....	25968		Bearing (Inner) .....	JLM104948/JLM104910
	Seal (Outer) .....	36650		Bearing (Outer) .....	BR50
	Bearing (Inner) .....	JLM104948/JLM104910		(Set Components) .....	LM102949/LM102910
	Bearing (Outer) .....	BR50	1995-1984	4Runner w/o Full-Floating Axle:	
	(Set Components) .....	LM102949/LM102910		Seal (Inner) .....	19630
1995-1975	Land Cruiser From 10/75:			Seal (Outer) .....	18964
	Seal .....	24635		Sealed Bearing w/Lock Ring .....	GRW130-R
	Bearing (Inner) .....	JLM104948/JLM104910	1995-1982	Pickup w/o Dual Rr. Whls. From 9/82:	
	Bearing (Outer) .....	BR50		Seal (Inner) .....	19630
	(Set Components) .....	LM102949/LM102910		Seal (Outer) .....	18964
1995-1985	Pickup & 4Runner From 9/85:			Sealed Bearing w/Lock Ring .....	GRW130-R
	Seal .....	25968	1994-1975	Land Cruiser w/o Full-Floating Axle:	
	Bearing (Inner) .....	JLM104948/JLM104910		Seal .....	18695
	Bearing (Outer) .....	BR50		Bearing .....	GRW146
	(Set Components) .....	LM102949/LM102910	1992-1979	Land Cruiser w/Full-Floating Axle From 2/79	
1985-1979	Pickup & 4Runner Thru 8/85:			Thru 8/92:	
	Seal .....	24635		Seal (Inner) .....	36655
	Bearing (Inner) .....	JLM104948/JLM104910		Seal (Outer) .....	13911
	Bearing (Outer) .....	BR50		Bearing (Inner) .....	JLM104948/JLM104910
	(Set Components) .....	LM102949/LM102910		Bearing (Outer) .....	BR50
1975-1969	Land Cruiser Thru 9/75:			(Set Components) .....	LM102949/LM102910
	Seal .....	550241	1989-1986	Van:	
	Bearing (Inner) .....	BR26882/BR26820		Seal .....	20433
	Bearing (Outer) .....	BR2788/BR2720		Sealed Bearing w/Lock Ring .....	GRW158-R
<b>Axle Shaft</b>			1989-1986	4Runner w/Full-Floating Axle:	
1995	T100:			Seal (Inner) .....	24635
	Seal .....	13725		Seal (Outer) .....	13911
1995-1989	Pickup & 4Runner:			Bearing (Inner) .....	JLM104948/JLM104910
	Seal .....	13725		Bearing (Outer) .....	BR50
1990-1986	Land Cruiser, Pickup & 4Runner:			(Set Components) .....	LM102949/LM102910
	Seal .....	13857	1985-1984	Van:	
1985-1981	Land Cruiser, Pickup & 4Runner:			Seal .....	20433
	Seal .....	12810		Sealed Bearing w/Lock Ring .....	GRW124-R
<b>Steering Knuckle</b>			1982-1972	Pickup Thru 8/82:	
1982-1979	Pickup:			Seal (Inner) .....	19630
	Seal .....	37442		Seal (Outer) .....	18964
				Sealed Bearing w/Lock Ring .....	GRW130-R
<b>Wheel Front (A.W.D.)</b>			1979-1975	Land Cruiser w/Full-Floating Axle Thru 1/79:	
1989-1987	Van:			Seal (Inner) .....	24635
	Seal .....	25965		Seal (Outer) .....	14695
	Bearing (Inner) .....	32010-C		Bearing (Inner) .....	JLM104948/JLM104910
	Bearing (Outer) .....	BR50		Bearing (Outer) .....	BR50
	(Set Components) .....	LM102949/LM102910		(Set Components) .....	LM102949/LM102910
<b>Wheel Rear</b>			1974	Land Cruiser w/o Full-Floating Axle:	
1995	Tacoma:			Seal .....	18695
	Seal (Inner) .....	19630		Bearing .....	GRW146
	Seal (Outer) .....	18964	1973-1969	Land Cruiser w/o Full-Floating Axle:	
	Sealed Bearing w/Lock Ring .....	GRW130-R		Seal .....	18693
1995-1993	T100:			Bearing .....	GRW123
	Seal (Inner) .....	19630	1972-1969	Hilux:	
	Seal (Outer) .....	18964		Seal (Inner) .....	19630
	Sealed Bearing w/Lock Ring .....	GRW130-R		Seal (Outer) .....	18964
				Sealed Bearing w/Lock Ring .....	GRW130-R
					(Continued)

MFG./YEAR	MODEL & LOCATION	PART NO.	MFG./YEAR	MODEL & LOCATION	PART NO.
<b>Wheel Rear (Cont.)</b>			<b>Pinion (Cont.)</b>		
1968-1965 Lite Stout:			<b>Rear Axle (Cont.)</b>		
	Seal (Outer)	18964	1995-1990 Pickup w/2.4L Eng. From 9/90:		
<b>Pinion</b>				Seal	14767
<b>Front Axle</b>				(Speedi-Sleeve)	99147
1995 Tacoma:				Bearing (Front)	BR30306
	Seal	14891		Bearing (Rear)	32307-A31
	Bearing (Front)	BR32307	1995-1990 4Runner w/o Turbo:		
	Bearing (Rear)	BR30306		Seal	14766
1995 T100 Pickup:				(Speedi-Sleeve)	99147
	Seal	14767		Bearing (Front)	BR30306
	(Speedi-Sleeve)	99147		Bearing (Rear)	32307-A31
	Bearing (Front)	BR32307	1994-1988 Pickup & 4Runner w/3.0L Eng.:		
	Bearing (Rear)	BR30306		Seal	14767
1995-1990 Land Cruiser Wgn.:				(Speedi-Sleeve)	99147
	Seal	14766		Bearing (Front)	BR30306
	(Speedi-Sleeve)	99147		Bearing (Rear)	32307-A89
	Bearing (Front)	32307-A89	1990-1988 Pickup w/2.4L Eng. & 4 W/D From 9/88 Thru 8/90:		
	Bearing (Rear)	BR30306		Seal	14766
1995-1986 4Runner:				(Speedi-Sleeve)	99147
	Seal	14767		Bearing (Front)	BR30306
	(Speedi-Sleeve)	99147		Bearing (Rear)	32307-A31
	Bearing (Front)	BR30306	1990-1988 Pickup w/2.4L Eng. & 2 W/D Trans. From 9/88 Thru 8/90:		
	Bearing (Rear)	BR32307		Seal	14767
1994-1979 Pickup & T100:				(Speedi-Sleeve)	99147
	Seal	14767		Bearing (Front)	BR30306
	(Speedi-Sleeve)	99147		Bearing (Rear)	BR32307
	Bearing (Front)	BR32307	1989-1985 4Runner w/o Turbo From 9/85:		
	Bearing (Rear)	BR30306		Seal	14767
1989-1987 Van:				(Speedi-Sleeve)	99147
	Seal	14758		Bearing (Front)	BR30306
	Bearing (Front)	HM88649/HM88610		Bearing (Rear)	32307-A31
	Bearing (Rear)	M86649/M86610	1989-1984 Van:		
1989-1980 Land Cruiser Wgn. From 8/80:				Seal	14767
	Seal	14767		(Speedi-Sleeve)	99147
	(Speedi-Sleeve)	99147		Bearing (Front)	BR30306
1984-1981 Land Cruiser Exc. Wgn. From 11/81:				Bearing (Rear)	BR32307
	Seal	14767	1989-1981 Land Cruiser Wgn. Thru 8/89:		
	(Speedi-Sleeve)	99147		Seal	14767
1981-1973 Land Cruiser From 9/73 Thru 10/81:				(Speedi-Sleeve)	99147
	Seal	14767		Bearing (Front)	BR30306
	(Speedi-Sleeve)	99147		Bearing (Rear)	32307-A31
	Bearing (Rear)	BR30306	1988-1979 Pickup w/4 W/D Thru 8/88:		
1973-1969 Land Cruiser Thru 8/73:				Seal	14767
	Seal	14767		(Speedi-Sleeve)	99147
	(Speedi-Sleeve)	99147		Bearing (Front)	BR30306
	Bearing (Rear)	BR30306		Bearing (Rear)	32307-A31
<b>Rear Axle</b>			1988-1973 Pickup w/2 W/D Thru 8/88:		
1995 Tacoma w/Locking Diff.:				Seal	14767
	Seal	14766		(Speedi-Sleeve)	99147
	(Speedi-Sleeve)	99147		Bearing (Front)	BR30306
	Bearing (Front)	BR114		Bearing (Rear)	BR32307
	Bearing (Rear)	32307-A89	1985-1984 4Runner w/o Turbo Thru 8/85:		
1995 Tacoma w/o Locking Diff.:				Seal	14767
	Seal	17803		(Speedi-Sleeve)	99147
	Bearing (Front)	HM88649/HM88610		Bearing (Front)	BR30306
	Bearing (Rear)	BR32307		Bearing (Rear)	BR32307
1995-1993 T100 Pickup:			1984-1981 Land Cruiser Exc. Wgn. From 2/81:		
	Seal	17803		Seal	14767
	Bearing (Front)	HM88649/HM88610		(Speedi-Sleeve)	99147
1995-1989 Land Cruiser Wgn. From 9/89:					(Continued)
	Seal	14766			
	(Speedi-Sleeve)	99147			
	Bearing (Front)	BR30308			

**Toyota Truck -- (Cont.)**

MFG./YEAR	MODEL & LOCATION	PART NO.	MFG./YEAR	MODEL & LOCATION	PART NO.
<b>Pinion (Cont.)</b>			<b>Clutch (Cont.)</b>		
<b>Rear Axle (Cont.)</b>			<b>Release (Cont.)</b>		
1981-1980	Land Cruiser Exc. Wgn. From 9/73 Thru 1/81:		1995-1989	4Runner From 4/89:	
	Seal .....	14767		Bearing Assembly .....	N4073
	(Speedi-Sleeve) .....	99147	1995-1988	Pickup From 8/88:	
	Bearing (Front) .....	BR30306		Bearing Assembly .....	N4073
1973-1969	Land Cruiser Thru 8/73:		1989-1988	Van From 8/88:	
	Seal .....	14767		Bearing Assembly .....	N4099
	(Speedi-Sleeve) .....	99147	1989-1988	4Runner w/3.0L Eng. Thru 3/89:	
	Bearing (Front) .....	BR30306		Bearing Assembly .....	N4073
1972-1969	Hilux:		1989-1984	4 Runner w/o 3.0L Eng. Thru 3/89:	
	Seal .....	14767		Bearing Only .....	N3064
	(Speedi-Sleeve) .....	99147	1988	Pickup w/3.0L Eng. w/o Xtra Cab Long Bed Thru 7/88:	
	Bearing (Front) .....	BR30306		Bearing Only .....	N3064
	Bearing (Rear) .....	BR32307	1988-1987	Pickup w/Xtra Cab Long Bed & Turbo Thru 7/88:	
1968-1965	Lite Stout:			Bearing Assembly .....	N4073
	Seal .....	14767	1988-1984	Pickup w/o 3.0L Eng. Thru 7/88:	
	(Speedi-Sleeve) .....	99147		Bearing Only .....	N3064
<b>Differential</b>			1988-1984	Van Thru 7/88:	
<b>Front Axle</b>				Bearing Only .....	N3064
1989-1980	Land Cruiser From 8/80:		1987-1975	Land Cruiser:	
	Bearing .....	KC11445-Y		Bearing Only .....	N3075
	(Set Components) .....	BR17887/BR17831	1983-1978	Pickup From 8/78:	
1988-1972	Pickup w/4 W/D; 4Runner:			Bearing Only .....	N3064
	Seal .....	13858		Bearing Assembly .....	◇ N3011
	Bearing .....	KC11445-Y		(Superseded by:) .....	N2043
	(Set Components) .....	BR17887/BR17831	1978-1972	Pickup & Hilux Thru 7/78:	
1980-1969	Land Cruiser Thru 7/80:			Bearing Only .....	N2043
	Bearing .....	BR32307		Bearing Assembly .....	◇ N3006
<b>Rear Axle</b>				(Superseded by:) .....	N2043
1995-1992	Land Cruiser Wgn. w/Locking Diff. From 8/92:		1974-1964	Land Cruiser:	
	Bearing .....	32012-X		Bearing Only .....	N1728
1995	Tacoma w/2.4L Eng.:		1971-1970	Hilux:	
	Bearing .....	[2] KC11445-Y		Bearing Only .....	N3055
	(Set Components) .....	BR17887/BR17831		Bearing Assembly .....	N3064
1995-1990	Land Cruiser w/o Diff. Lock:		<b>Transfer Case</b>		
	Bearing .....	32010-X	<b>Adapter Housing</b>		
1994-1969	Pickup w/4 Cyl. Eng.:		1995	Tacoma:	
	Seal .....	14767		Seal .....	15920
	Bearing .....	KC11445-Y	1995-1988	Pickup, 4Runner w/G & R Man. Trans.; T100 & Tacoma:	
	(Set Components) .....	BR17887/BR17831		Seal .....	15920
1989-1980	Land Cruiser From 8/80:		1995-1984	Pickup & 4Runner w/W Man. Trans. w/o Turbo	
	Bearing .....	KC11445-Y		Seal .....	12745
	(Set Components) .....	BR17887/BR17831		(Speedi-Sleeve) .....	99128
1980-1969	Land Cruiser Thru 7/80:		1988-1985	Pickup & 4Runner w/Man. Trans. & Turbo:	
	Bearing .....	BR32307		Seal .....	13439
<b>Clutch</b>			<b>Drive Link Sprocket</b>		
<b>Pilot</b>			1993-1987 Pickup & 4Runner:		
1995-1969	Exc. Land Cruiser:			Bearing .....	63/32-ZJ
	Bearing .....	6201-2RSJ	<b>Front Output Shaft</b>		
1987-1980	Land Cruiser w/6 Cyl. Eng.:		1995	Tacoma:	
	Bearing .....	6202-2RSJ		Seal .....	16037
1979-1975	Land Cruiser:			Bearing (Front) .....	63/32-NJ
	Bearing .....	6202-2ZJ		Bearing (Rear) .....	63/28-J
1974-1969	Land Cruiser:		1995-1993	T100:	
	Bearing .....	6202-J		Bearing (Front) .....	63/32-ZJ
<b>Release</b>				Bearing (Rear) .....	63/28-J
1995-1994	Tacoma & T100 w/4 Cyl. Eng.:			(Continued)	
	Bearing Assembly .....	N4099			
1995	Tacoma & T100 w/6 Cyl. Eng.:				
	Bearing Assembly .....	N4171			

MFG./YEAR	MODEL & LOCATION	PART NO.	MFG./YEAR	MODEL & LOCATION	PART NO.
<b>Transfer Case (Cont.)</b>			<b>Transfer Case (Cont.)</b>		
<b>Front Output Shaft (Cont.)</b>			<b>Input Shaft (Cont.)</b>		
1995-1990	Land Cruiser Wgn. w/Auto. Trans.:		1989-1980	Land Cruiser w/Man. Trans.:	
	Seal .....	18958		Bearing .....	6207-J
	(Speedi-Sleeve) .....	99189	<b>Mounting Adapter</b>		
	Bearing .....	6208-ZJ	1989-1987	Van w/Auto. Trans.:	
1995-1990	Pickup w/2.4L Eng. & 4 Spd. Auto. Trans.:			Seal .....	15829
	Seal .....	15920		(Speedi-Sleeve) .....	99159
1995-1988	Pickup & 4Runner w/G & R Man. Trans.:		<b>Oil Pump</b>		
	Seal .....	15920	1989-1987	Van w/Auto. Trans.:	
	Bearing .....	63/28-J		Seal .....	15984
1995-1988	Pickup w/W Man. Trans.:		1989-1987	Van w/Man. Trans.:	
	Seal .....	14730		Seal .....	15984
	(Speedi-Sleeve) .....	99147	<b>Rear Extension</b>		
	Bearing .....	6308-NRJ	1995-1993	Tacoma & T100:	
1995-1988	Pickup & 4Runner w/3.0L Eng. & Auto. Trans.:			Seal .....	↔16038
	Seal .....	22826		(Superseded by:)	16448
	Bearing .....	63/28-J	1995-1990	Land Cruiser Wgn. w/Auto. Trans.:	
1994-1984	4Runner w/W Man. Trans.:			Seal .....	22845
	Seal .....	14730	1995	4Runner:	
	(Speedi-Sleeve) .....	99147		Seal .....	15920
	Bearing .....	63/28-J	1995-1990	Pickup w/2.4L Eng. & 4 Spd. Auto. Trans.:	
1990-1981	Land Cruiser w/Auto. Trans. Thru 1/90:			Seal .....	↔16038
	Bearing .....	BR63		(Superseded by:)	16448
1989-1988	Van From 8/88:		1995-1988	Pickup & 4Runner w/G & R Man. Trans. & 6 Cyl. Eng.:	
	Seal .....	14747		Seal .....	↔16038
1989-1987	Land Cruiser Wgn. w/Auto. Trans.:			(Superseded by:)	16448
	Seal .....	18987	1995-1979	Pickup & 4Runner w/G, R & W Man. Trans. & 4 Cyl. Eng.:	
1989-1985	Pickup w/2.4L Eng. & 4 Spd. Auto. Trans.:			Seal (Front) .....	18962
	Seal .....	22819		(Speedi-Sleeve) (Front) .....	99189
1989-1979	Pickup w/2.0L & 2.2L Eng. & Man. Trans.:			Seal (Rear) .....	14730
	Seal .....	14730		(Speedi-Sleeve) (Rear) .....	99147
	(Speedi-Sleeve) .....	99147	1980-1969	Land Cruiser w/Man. Trans.:	
1988-1986	Van Thru 8/88:			Seal .....	14767
	Seal .....	14763		(Speedi-Sleeve) .....	99147
	(Speedi-Sleeve) .....	99147	<b>Rear Output Shaft</b>		
1988-1985	4Runner w/Turbo & Man. Trans.:		1995-1993	T100 & Tacoma:	
	Seal .....	14730		Seal .....	↔16038
	(Speedi-Sleeve) .....	99147		(Superseded by:)	16448
1987-1982	Land Cruiser w/Man. Trans. From 9/82:			Bearing .....	63/32-NJ
	Seal .....	18973	1995-1990	Land Cruiser Wgn. w/Auto. Trans.:	
	(Speedi-Sleeve) .....	99189		Seal .....	19635
1982-1981	Land Cruiser w/Man. Trans. Thru 8/82:			Bearing .....	6010-J
	Seal .....	18974	1995-1990	Pickup w/2.4L Eng. & 4 Spd. Auto. Trans.:	
	(Speedi-Sleeve) .....	99189		Seal .....	9005
1980-1969	Land Cruiser w/Man. Trans.:		1995-1988	Pickup & 4Runner w/G & R Man. Trans.:	
	Seal .....	16514		Seal .....	9005
	(Speedi-Sleeve) .....	99169	1995-1988	Pickup & 4Runner w/3.0L Eng. & Auto. Trans.:	
<b>Idler Shaft</b>				Seal .....	22826
1995-1989	Pickup:			Bearing .....	63/32-NJ
	Bearing (Rear) .....	■ 306-NJ	1989-1987	Van:	
<b>Input Shaft</b>				Seal .....	21064
1995-1993	Tacoma & T100:			(Speedi-Sleeve) .....	99210
	Seal .....	15920	1989-1987	Land Cruiser Wgn. w/Auto. Trans.:	
1995-1990	Land Cruiser:			Seal .....	18963
	Seal .....	19635		(Speedi-Sleeve) .....	99189
	Bearing (Front) .....	6210-2RSJ		Bearing .....	BR30307
	Bearing (Rear) .....	6307-VSP23	1989-1985	Pickup w/2.4L Eng. & 4 Spd. Auto. Trans.:	
1995-1989	Pickup & 4Runner w/G Man. Trans.:			Seal .....	22819
	Bearing .....	6307-NRJ		(Continued)	
1994-1988	Pickup & 4Runner w/R Man. Trans.:				
	Seal .....	16037			
1989-1987	Land Cruiser Wgn. w/Auto. Trans.:				
	Bearing .....	6210-2RSJ			

**Toyota Truck -- (Cont.)**

MFG./YEAR	MODEL & LOCATION	PART NO.	MFG./YEAR	MODEL & LOCATION	PART NO.
<b>Transfer Case (Cont.)</b>			<b>Transmission-Automatic (Cont.)</b>		
<b>Rear Output Shaft (Cont.)</b>			<b>Rear (Cont.)</b>		
1987-1981	Land Cruiser w/Man. Trans.:		1989-1987	Van w/A.W.D.:	
	Seal (Polyacrylate) .....	18963		Seal .....	15829
	Seal .....	18962		(Speedi-Sleeve) .....	99157
	(Speedi-Sleeve) .....	99189	1988-1984	Van w/o 4 W/D Thru 8/88:	
	Bearing (Front) .....	BR30307		Seal .....	14730
	Bearing (Rear) .....	BR30307		(Speedi-Sleeve) .....	99147
1980-1976	Land Cruiser w/Man. Trans.:		1988-1983	Pickup w/o Turbo Thru 8/88:	
	Seal .....	17736		Seal .....	14730
	(Speedi-Sleeve) .....	99177		(Speedi-Sleeve) .....	99147
	Bearing .....	6205-J	1986-1985	Pickup w/Turbo:	
1975-1969	Land Cruiser w/Man. Trans.:			Seal .....	15700
	Seal .....	18962		(Speedi-Sleeve) .....	99157
	(Speedi-Sleeve) .....	99189	1982-1980	Pickup w/4 Spd. Trans.:	
	Bearing .....	6205-J		Seal .....	14730
				(Speedi-Sleeve) .....	99147
<b>Shift Shaft</b>			1981-1972	Pickup w/3 Spd. Trans.:	
1995	Exc. Highlander & Land Cruiser:			Seal .....	14730
	Seal .....	5808		(Speedi-Sleeve) .....	99147
	(Speedi-Sleeve) .....	99059	<b>Shift Shaft</b>		
1995-1989	Landcruiser:		1995	Tacoma w/o 2.4L Eng.:	
	Seal .....	6404		Seal .....	4707
	(Speedi-Sleeve) .....	99058		(Speedi-Sleeve) .....	99049
<b>Transfer Shaft</b>			1995	Tacoma w/2.4L Eng.:	
1987-1985	Land Cruiser Wgn. w/Man. Trans. From 5/85:			Seal .....	4338
	Seal .....	18987	1995-1986	Land Cruiser:	
1985-1980	Land Cruiser w/Man. Trans. Thru 4/85:			Seal .....	4707
	Seal .....	18974		(Speedi-Sleeve) .....	99049
	(Speedi-Sleeve) .....	99189	<b>Transmission-Manual</b>		
<b>Transmission-Automatic</b>			<b>Front</b>		
<b>Front Pump</b>			1995-1994	Tacoma & T100 w/4 Cyl. Eng.:	
1995-1993	Tacoma & T100:			Seal .....	11622
	Seal .....	14720		(Speedi-Sleeve) .....	99128
	(Speedi-Sleeve) .....	99147	1995-1993	Tacoma & T100 w/6 Cyl. Eng.:	
1995-1989	4Runner w/o 4 W/D:			Seal .....	12747
	Seal .....	14772		(Speedi-Sleeve) .....	99128
	(Speedi-Sleeve) .....	99147	1995-1991	Pickup & 4Runner w/W Trans. From 9/91:	
1995-1987	Land Cruiser:			Seal .....	11622
	Seal .....	16489		(Speedi-Sleeve) .....	99114
1995-1978	Pickup From 9/77; Van w/A.W.D. & 4Runner w/4 W/D:		1995-1989	Pickup & 4Runner w/R Trans.:	
	Seal .....	14720		Seal .....	12747
	(Speedi-Sleeve) .....	99147		(Speedi-Sleeve) .....	99128
1977-1972	Pickup Thru 8/77:		1995-1988	Pickup w/G Trans. From 8/88:	
	Seal .....	17758		Seal .....	11622
	(Speedi-Sleeve) .....	99177		(Speedi-Sleeve) .....	99114
<b>Rear</b>			1991-1988	Pickup & 4Runner w/W Trans. From 9/88 Thru 8/91 w/o Turbo:	
1995-1993	Tacoma & T100 w/o 4 W/D:			Seal .....	11615
	Seal .....	15700		(Speedi-Sleeve) .....	99114
	(Speedi-Sleeve) .....	99157	1989-1988	Van From 9/88:	
1995-1993	Tacoma & T100 w/4 W/D:			Seal .....	11622
	Seal .....	16038		(Speedi-Sleeve) .....	99114
	(Superseded by) .....	16448	1988-1985	Pickup & 4Runner w/Turbo & R Trans.:	
1995-1988	Pickup & 4Runner w/2.4L Eng. From 9/88:			Seal .....	12747
	Seal .....	14753		(Speedi-Sleeve) .....	99128
	(Speedi-Sleeve) .....	99147	1988-1983	Pickup, Van & 4Runner w/o Turbo Thru 8/88:	
1995-1988	Pickup & 4Runner w/3.0L Eng. From 9/88:			Seal .....	11615
	Seal .....	15700		(Speedi-Sleeve) .....	99114
	(Speedi-Sleeve) .....	99157	1987-1986	Land Cruiser Wgn. From 4/86:	
1989-1988	Van w/o 4 W/D From 9/88:			Seal .....	12735
	Seal .....	14753		(Speedi-Sleeve) .....	99128
	(Speedi-Sleeve) .....	99147			(Continued)



MFG./YEAR	MODEL & LOCATION	PART NO.	MFG./YEAR	MODEL & LOCATION	PART NO.
<b>Transmission-Manual (Cont.)</b>			<b>Alternator (Cont.)</b>		
<b>Front (Cont.)</b>			1990-1987 Pickup & 4Runner w/12 Volt & 60 or 70 Amp.:		
1986-1969	Hilux & Land Cruiser Thru 4/86:		Bearing (Front)		6204-2RSJ
Seal		11136	Bearing (Rear)		6302-2RSJ
(Speedi-Sleeve)		99112	1989-1985 Van w/12 Volt & 70 Amp.:		
1983-1980	Pickup w/4 Spd. Trans. From 8/80:		Bearing (Front)		6204-2RSJ
Seal		11615	Bearing (Rear)		6302-2RSJ
(Speedi-Sleeve)		99114	1987-1986 Land Cruiser w/24 Volt or 40 Amp.:		
1982-1978	Pickup w/5 Spd. Trans.:		Bearing (Front)		6305-2RSJ
Seal		11615	1987-1984 Pickup w/Diesel Eng.:		
(Speedi-Sleeve)		99114	Bearing (Front)		6304-2RSJ
1980-1972	Pickup w/4 Spd. Trans. Thru 8/80:		1987-1980 Land Cruiser w/12 Volt 40, 45 & 50 Amp.:		
Seal		12735	Bearing (Front)		6203-2RSJ
(Speedi-Sleeve)		99128	Bearing (Rear)		6201-2RSJ
<b>Rear</b>			1986-1985 Pickup & 4Runner w/60 Amp. w/o Diesel Eng.:		
1995-1994	Tacoma & T100 w/4 Cyl. Eng.:		Bearing	[2]	6302-2RSJ
Seal		14753	1985-1984 Van w/12 Volt & 60 Amp. From 9/83:		
(Speedi-Sleeve)		99147	Bearing	[2]	6302-2RSJ
1995-1993	Tacoma & T100 w/6 Cyl. Eng.:		1985-1982 Land Cruiser w/55 Amp. & Diesel Eng.:		
Seal		15700	Bearing (Front)		6304-2RSJ
(Speedi-Sleeve)		99157	1985-1979 Land Cruiser w/55 Amp. w/o Diesel Eng.:		
1992-1989	4Runner w/o 4 W/D:		Bearing (Front)		6203-2RSJ
Seal		14730	Bearing (Rear)		6201-2RSJ
(Speedi-Sleeve)		99147	1984 Pickup & 4Runner w/Gas Eng. & 40 Amp. w/o		
1992-1988	Pickup w/G Trans. From 8/88:		Integral Regulator:		
Seal		14753	Bearing (Front)		6203-2RSJ
(Speedi-Sleeve)		99147	Bearing (Rear)		6201-2RSJ
1992-1988	Pickup w/R Trans. From 8/88:		1984 Pickup & 4Runner w/Gas Eng., 40 Amp. &		
Seal		15700	Integral Regulator:		
(Speedi-Sleeve)		99157	Bearing (Front)		6203-2RSJ
1991-1988	Pickup w/W Trans. From 8/88:		Bearing (Rear)		6201-2RSJ
Seal		14730	1983-1981 Pickup w/Diesel Eng.:		
(Speedi-Sleeve)		99147	Bearing (Front)		6305-2RSJ
1989-1988	Van From 8/88:		1983-1978 Pickup w/Integral Regulator w/o Diesel Eng.:		
Seal		14753	Bearing (Front)		6203-2RSJ
(Speedi-Sleeve)		99147	Bearing (Rear)		6201-2RSJ
1988-1985	Pickup w/Turbo Thru 8/88:		1982-1981 Land Cruiser w/24 Volt 20 Amp. & 24 Volt 40		
Seal		15835	Amp. Thru 3/82:		
(Speedi-Sleeve)		99157	Bearing (Front)		6305-2RSJ
1988-1983	Pickup & Van w/o Turbo Thru 8/88:		1980-1978 Land Cruiser w/Diesel Eng.:		
Seal		14730	Bearing (Front)		6305-2RSJ
(Speedi-Sleeve)		99147	1980-1977 Land Cruiser w/6 Cyl. Eng. w/o 55 Amp.:		
1982-1969	Pickup w/4 & 5 Spd. Trans.; Hilux:		Bearing (Front)		6203-2RSJ
Seal		14730	Bearing (Rear)		6201-2RSJ
(Speedi-Sleeve)		99147	1977-1975 Pickup:		
<b>Rear Output Shaft</b>			Bearing (Front)		6203-2ZJ
1988-1986	Pickup & 4Runner w/2.4L Turbo Eng.:		Bearing (Rear)		6201-2ZJ
Bearing		6306-JX	1976-1969 Land Cruiser w/o 55 Amp. & 6 Cyl. Eng.:		
1988-1984	Pickup & 4Runner w/o Turbo:		Bearing (Front)		6203-2ZJ
Bearing		6306-VSP1	Bearing (Rear)		6201-J
<b>Air Conditioning Clutch</b>			1975-1969 Land Cruiser w/55 Amp. & 6 Cyl. Eng.:		
1974-1971	Land Cruiser & Pickup:		Bearing (Front)		6203-2ZJ
Bearing		6006-RSJ	Bearing (Rear)		6202-2ZJ
<b>Alternator</b>			1974-1972 Pickup:		
1991-1990	Land Cruiser w/12 Volt & 90 Amp.:		Bearing (Front)		6203-2ZJ
Bearing (Rear)		6302-2RSJ	Bearing (Rear)		6201-J
1991-1987	Land Cruiser w/12 Volt & 80 Amp.:		1972-1971 Hilux From 2/71:		
Bearing (Front)		6303-2RSJ	Bearing (Front)		6202-2ZJ
Bearing (Rear)		6201-2RSJ	Bearing (Rear)		6201-J
			1971-1969 Hilux Thru 1/71:		
			Bearing (Front)		6202-J
			Bearing (Rear)		6201-J

(Continued)

**Toyota Truck -- (Cont.)**

MFG./YEAR	MODEL & LOCATION	PART NO.	MFG./YEAR	MODEL & LOCATION	PART NO.
<b>Drive Shaft</b>			<b>Engine (Cont.)</b>		
1995	Tacoma:		<b>Crankshaft-Rear (Cont.)</b>		
	Bearing & Support .....	HB2380-40	1991-1988	Pickup & 4Runner w/3.0L Eng. Thru 4/91:	
1995-1993	T100 w/2 W/D:		Seal .....		36005
	Bearing & Support .....	HB1380-50	(Speedi-Sleeve) .....		99360
1995-1993	T100 w/4 W/D:		1990-1983	Pickup & 4Runner w/2.4L Eng. w/o Diesel	
	Bearing & Support .....	HB1380-70	From 8/83 Thru 6/90:		
1995-1989	Pickup w/4 Cyl. Eng. & 2 W/D:		Seal .....		31494
	Bearing & Support .....	HB1380-40	(Speedi-Sleeve) .....		99315
1995-1989	Pickup w/6 Cyl. Eng. & 2 W/D:		1989-1984	Van:	
	Bearing & Support .....	HB1380-60	Seal .....		31511
1995-1989	Pickup w/Dual Rr. Whls. & 2 W/D:		(Speedi-Sleeve) .....		99317
	Bearing & Support .....	HB1380-40	1987-1986	Pickup w/Diesel Eng. From 8/86:	
1995-1989	Pickup w/4 W/D:		Seal .....		33408
	Bearing & Support .....	HB1380-40	(Speedi-Sleeve) .....		99333
1988-1984	Pickup w/2 W/D:		1987-1969	Land Cruiser w/6 Cyl. Eng. Thru 8/87:	
	Bearing & Support .....	HB1380-30	Seal .....		39125
1985-1984	Pickup w/4 W/D:		(Speedi-Sleeve) .....		99393
	Bearing & Support .....	HB1380-20	1986-1981	Pickup w/Diesel Eng. Thru 8/86:	
1983-1978	Pickup:		Seal .....		33408
	Bearing & Support .....	HB1380-10	(Speedi-Sleeve) .....		99333
1977-1968	Pickup:		1983-1972	Pickup w/1.8L, 2.0L & 2.4L Eng. Exc. Diesel	
	Bearing & Support .....	HB1350-10	Thru 8/83:		
<b>Engine</b>			Seal .....		31511
<b>Auxiliary Shaft</b>			(Speedi-Sleeve) .....		99317
1987-1981	Pickup w/Diesel Eng.:		1972-1970	Hilux:	
Seal .....		16514	Seal .....		31511
(Speedi-Sleeve) .....		99169	(Speedi-Sleeve) .....		99317
<b>Camshaft</b>			<b>Oil Pump</b>		
1995	Tacoma w/3.4L Eng.:		1995-1988	Pickup, T100 & 4Runner w/3.0L Eng.:	
Seal .....		14761	Seal .....		15818
(Speedi-Sleeve) .....		99147	(Speedi-Sleeve) .....		99157
1995	T100 w/3.4L Eng. From 9/94; 4Runner w/3.4L		<b>Timing Belt Idler</b>		
Eng.:			1995	Tacoma w/6 Cyl. Eng.:	
Seal .....		14761	Bearing & Housing Assy. ....		VKM81401
(Speedi-Sleeve) .....		99147	1995	Land Cruiser:	
1995-1988	Pickup & 4Runner w/3.0L Eng.:		Bearing & Housing Assy. ....		VKM81401
Seal .....		16893	1994-1988	4Runner w/3.0L Eng.:	
1994-1993	T100 w/3.0L Eng. Thru 8/94:		Bearing & Housing Assy. ....		VKM81007
Seal .....		16893	<b>Timing Belt Tensioner</b>		
<b>Crankshaft-Rear</b>			1995	Tacoma w/3.4L Eng.:	
1995	Tacoma w/2.4L Eng.:		Bearing & Housing Assy. ....		VKM71701
Seal .....		35120	1995	T100 w/3.4L Eng.:	
(Speedi-Sleeve) .....		99350	Bearing & Housing Assy. ....		VKM71701
1995-1993	4Runner, T100 & Tacoma w/3.0L & 3.4L Eng.:		1995	4Runner w/3.0L Eng.:	
Seal .....		36005	Bearing & Housing Assy. ....		VKM71011
(Speedi-Sleeve) .....		99360	1995-1993	Pickup w/3.0L Eng.:	
1995-1994	T100 w/2.7L Eng.:		Bearing & Housing Assy. ....		VKM71011
Seal .....		35120	1994-1988	4Runner w/3.0L Eng.:	
(Speedi-Sleeve) .....		99350	Bearing & Housing Assy. ....		VKM71800
1995-1992	Land Cruiser w/6 Cyl. Eng. From 9/92:		<b>Timing Belt and Tensioner Kit</b>		
Seal .....		38880	1995	3.4L Eng.:	
1995-1991	Pickup & 4Runner w/3.0L Eng. From 5/91:		Bearing & Housing Assy. Kit .....		VKMA91704
Seal .....		36005	1995-1993	4Runner & Pickup w/3.0L Eng.:	
(Speedi-Sleeve) .....		99360	Bearing & Housing Assy. Kit .....		VKMA91019
1995-1990	Pickup & 4Runner w/2.4L Eng. From 6/90:		1992-1988	4Runner & Pickup w/3.0L Eng.:	
Seal .....		31581	Belt & Tensioner Kit .....		VKMA91018
(Speedi-Sleeve) .....		99315	<b>Timing Cover</b>		
1992-1987	Land Cruiser Wgn. w/6 Cyl. Eng. Thru 8/92:		1995	Tacoma w/2.4L Eng.; 4 Runner w/2.7L Eng.:	
Seal .....		41401	Seal .....		19092
			(Continued)		

MFG./YEAR	MODEL & LOCATION	PART NO.	MFG./YEAR	MODEL & LOCATION	PART NO.
<b>Engine (Cont.)</b>			<b>Steering-Power</b>		
<b>Timing Cover (Cont.)</b>			<b>Pump Shaft</b>		
1995-1992	Land Cruiser Wgn. w/6 Cyl. Eng. From 9/92:		1991	Land Cruiser:	
	Seal .....	20432		Seal .....	14058
	(Speedi-Sleeve) .....	99204	1990-1983	Land Cruiser, Pickup, Van & 4Runner:	
1995-1990	Pickup & 4Runner w/2.4L Eng. From 6/90:			Bearing .....	6203-J
	Seal .....	17758	<b>Worm Shaft</b>		
	(Speedi-Sleeve) .....	99177	1988	Land Cruiser:	
1992-1984	Land Cruiser w/6 Cyl. Eng. From 11/84 Thru 8/92:			Seal .....	7007
	Seal .....	17758	<b>Steering-Standard</b>		
	(Speedi-Sleeve) .....	99177	<b>Pitman Shaft</b>		
1990-1978	Pickup & 4Runner w/2.0L, 2.2L & 2.4L Eng. From 3/78 Thru 5/90:		1990-1984	Pickup w/o 4 W/D; Van:	
	Seal .....	17758		Seal .....	13423
	(Speedi-Sleeve) .....	99177	1988-1986	Pickup & 4 Runner w/4 W/D:	
1989-1984	Van:			Seal .....	14004
	Seal .....	16489	1985-1981	Land Cruiser Wgn.:	
1987-1984	Pickup w/Diesel Eng. From 7/84:			Seal .....	14006
	Seal .....	16489	1985-1979	Pickup & 4Runner w/4 W/D:	
	(Speedi-Sleeve) .....	99169		Seal .....	12705
1984-1981	Pickup w/Diesel Eng. Thru 6/84:		1985-1969	Land Cruiser:	
	Seal .....	16514		Seal .....	12705
	(Speedi-Sleeve) .....	99169	1983-1969	Hilux & Pickup w/o 4 W/D:	
1984-1969	Land Cruiser w/6 Cyl. Eng. Thru 10/84:			Seal .....	10930
	Seal .....	17255	<b>Worm Shaft</b>		
	(Speedi-Sleeve) .....	99177	1990-1979	Pickup & 4Runner w/4 W/D:	
1978-1972	Pickup w/2.0L & 2.2L Eng. Thru 2/78:			Seal .....	7000
	Seal .....	17255	1985-1981	Land Cruiser Wgn.:	
	(Speedi-Sleeve) .....	99177		Seal .....	◇7210
1972-1970	Hilux:			(Superseded by:)	7473
	Seal .....	17255	1985-1973	Land Cruiser Exc. Wgn.:	
	(Speedi-Sleeve) .....	99177		Seal .....	7000
1969	Hilux:		1983-1979	Pickup w/o 4 W/D:	
	Seal .....	15292		Seal .....	◇7210
	(Speedi-Sleeve) .....	99147		(Superseded by:)	7473
<b>Power Takeoff</b>			1978-1975	Pickup:	
<b>Center</b>				Seal .....	◇7210
1974-1969	Land Cruiser:			(Superseded by:)	7473
	Seal .....	14767	1974-1969	Hilux & Pickup:	
	(Speedi-Sleeve) .....	99147		Seal .....	6757
<b>Front</b>					
1976-1969	Land Cruiser:				
	Seal .....	13963			
	(Speedi-Sleeve) .....	99139			

		<b>Triumph</b>
<b>Wheel Front</b>		
1981-1975	TR7 & TR8:	
	Seal .....	14864
	Bearing (Inner) .....	BR4
	(Set Components) .....	L44649/L44610
	Bearing (Outer) .....	BR1
	(Set Components) .....	LM11749/LM11710
1980-1962	Spitfire MKI, II, III, IV & 1500:	
	Seal .....	15967
	Bearing (Inner) .....	07100-S/07210-X
	Bearing (Outer) .....	BR03062/BR03162
<b>Wheel Front (Cont.)</b>		
1976-1970	TR6:	
	Seal .....	14708
	Bearing (Inner) .....	07100-S/07210-X
	Bearing (Outer) .....	BR03062/BR03162
1975-1974	TR250:	
	Bearing (Inner) .....	BR4
	(Set Components) .....	L44649/L44610
	Bearing (Outer) .....	BR2
	(Set Components) .....	LM11949/LM11910
(Continued)		



For explanation of symbols ●◆⊕■◇▲[] within (text), see page 1A.  
 Para una explicación de los símbolos ●◆⊕■◇▲[] en el (texto), vea página 1B.  
 Pour une explication des symboles ●◆⊕■◇▲[] dans (texte), voir page 1C.

Triumph -- (Cont.)

MFG./YEAR	MODEL & LOCATION	PART NO.	MFG./YEAR	MODEL & LOCATION	PART NO.
<b>Wheel Front (Cont.)</b>			<b>Wheel Rear (Cont.)</b>		
1973-1971	Stag:		1975-1964	2000:	
	Seal .....	14705		Seal (Inner) .....	18565
	Bearing (Inner) .....	BR4		Bearing (Inner) .....	BR4
	(Set Components) .....	L44649/L44610		(Set Components) .....	L44649/L44610
	Bearing (Outer) .....	BR2		Bearing (Outer) .....	LM29749/LM29710
	(Set Components) .....	LM11949/LM11910	1973	GT6, Spitfire MKI, II, III & IV:	
1973-1968	GT6 MKI, II & III:			Seal (Inner) .....	9878
	Seal .....	15967		Bearing (Inner) .....	B168
	Bearing (Inner) .....	BR4		Bearing (Outer) .....	RLS8-J
	(Set Components) .....	L44649/L44610	1972-1966	GT6, Spitfire MKI, II, III & IV:	
	Bearing (Outer) .....	BR2		Seal .....	9878
	(Set Components) .....	LM11949/LM11910		Bearing (Inner) .....	BR5
1969-1968	TR250:			(Set Components) .....	LM48548/LM48510
	Seal .....	15967		Bearing (Outer) .....	LM29749/LM29710
	Bearing (Inner) .....	BR4	1972-1962	Vitesse:	
	(Set Components) .....	L44649/L44610		Bearing (Inner) .....	BR6
	Bearing (Outer) .....	BR2		(Set Components) .....	LM67048/LM67010
	(Set Components) .....	LM11949/LM11910		Bearing (Outer) .....	LM29749/LM29710
1969-1960	TR4 & TR5:		1971-1959	Herald:	
	Bearing (Inner) .....	07100-S/07210-X		Bearing (Inner) .....	B168
	Bearing (Outer) .....	BR03062/BR03162		Bearing (Outer) .....	RLS8-J
1967-1964	Herald & 2000:		1969-1965	TR4 & TR5 w/Rigid Suspension:	
	Seal .....	14705		Bearing (Outer) .....	BR2585/2523-S
	Bearing (Inner) .....	07100-S/07210-X	1968	TR4A w/Independent Rr. Suspension:	
	Bearing (Outer) .....	BR03062/BR03162		Seal (Inner) .....	18565
1967-1955	TR3:			Bearing (Inner) .....	BR4
	Seal .....	14705		(Set Components) .....	L44649/L44610
	Bearing (Inner) .....	07100-S/07210-X		Bearing (Outer) .....	LM29749/LM29710
	Bearing (Outer) .....	BR03062	1967-1964	2000:	
<b>Wheel Rear</b>				Seal (Inner) .....	18565
1981-1980	TR8:			Bearing (Inner) .....	BR4
	Seal (Inner) .....	13949		(Set Components) .....	L44649/L44610
	Seal (Outer) .....	16525		Bearing (Outer) .....	LM29749/LM29710
1981-1977	TR7 w/5 Spd. Trans.:		1966-1955	TR3 & TR4:	
	Seal (Inner) .....	13949		Bearing .....	BR2585/2523-S
	Seal (Outer) .....	16525	<b>Pinion</b>		
1981-1975	TR7 w/Auto. Trans.:		1981-1980	TR8 w/5 Spd. Auto. Trans.:	
	Seal (Inner) .....	13949		Seal .....	11625
	Seal (Outer) .....	13945		(Speedi-Sleeve) .....	99114
1981-1975	TR7 w/4 Spd. Trans.:			Bearing (Front) .....	M84548/M84510
	Seal (Inner) .....	13949	1981-1977	TR7 w/4 Spd. Auto. Trans.:	
	Seal (Outer) .....	13945		Seal .....	13419
1980-1977	Spitfire:			Bearing (Front) .....	M84548/M84510
	Seal (Outer) .....	13021	1981-1975	TR7 w/5 Spd. Trans.:	
	Bearing (Inner) .....	B168		Seal .....	11625
	Bearing (Outer) .....	RLS8-J		(Speedi-Sleeve) .....	99114
1975-1971	Stag:			Bearing (Front) .....	M84548/M84510
	Seal .....	18565	1976-1969	TR6:	
	Bearing (Inner) .....	BR4		Seal .....	15207
	(Set Components) .....	L44649/L44610		(Speedi-Sleeve) .....	99149
	Bearing (Outer) .....	LM29749/LM29710		Bearing (Front) .....	BR15100/BR15245
1975-1969	TR6:		1976-1967	Spitfire MKI, II, III & IV:	
	Seal (Inner) .....	18565		Seal .....	13419
	Bearing (Inner) .....	BR4	1973-1971	GT6:	
	(Set Components) .....	L44649/L44610		Seal .....	13419
	Bearing (Outer) .....	LM29749/LM29710		Bearing (Front) .....	M84548/M84510
1975-1968	TR250:		1971-1959	Herald, Coupe & Saloon:	
	Bearing (Inner) .....	BR4		Bearing (Front) .....	BR21075/BR21212
	(Set Components) .....	L44649/L44610		Bearing (Rear) .....	BR02475/BR02420
	Bearing (Outer) .....	LM29749/LM29710			(Continued)

MFG./YEAR	MODEL & LOCATION	PART NO.	MFG./YEAR	MODEL & LOCATION	PART NO.
<b>Pinion (Cont.)</b>			<b>Transmission-Manual (Cont.)</b>		
<b>1969-1968 TR250:</b>			<b>Rear</b>		
	Seal .....	15207	<b>1976-1970 Spitfire:</b>		
	(Speedi-Sleeve) .....	99149		Seal .....	13568
	Bearing (Front) .....	BR15100/BR15245		(Speedi-Sleeve) .....	99138
<b>1969-1965 2000:</b>			<b>1976-1970 TR6:</b>		
	Seal .....	19778		Seal .....	16719
	(Speedi-Sleeve) .....	99199		(Speedi-Sleeve) .....	99168
	Bearing (Front) .....	BR15100/BR15245		Bearing .....	6206-J
<b>1967-1952 TR4:</b>			<b>1973-1970 GT6:</b>		
	Seal .....	15207		Seal .....	13568
	(Speedi-Sleeve) .....	99149		(Speedi-Sleeve) .....	99138
<b>1966-1963 Mark II, Spitfire &amp; Vitesse:</b>			<b>Alternator</b>		
	Seal .....	13500	<b>1975-1966 Spitfire:</b>		
	Bearing (Front) .....	BR21075/BR21212		Bearing .....	6202-J
	Bearing (Rear) .....	BR02475/BR02420	<b>Engine</b>		
<b>Differential</b>			<b>Timing Cover</b>		
<b>1980-1976 Spitfire, TR7 &amp; 1500:</b>			<b>1980-1975 Spitfire:</b>		
	Bearing .....	BR13		Seal .....	19992
	(Set Components) .....	L68149/L68110		(Speedi-Sleeve) .....	99199
<b>1975-1974 Spitfire:</b>			<b>1976-1975 TR7:</b>		
	Bearing .....	BR15123/BR15245		Seal .....	17821
<b>1975-1965 2000:</b>				(Speedi-Sleeve) .....	99179
	Bearing .....	BR16150/BR16283	<b>1976-1960 TR6:</b>		
<b>1975-1960 TR4, TR5 &amp; TR6:</b>				Seal .....	19993
	Bearing .....	BR16150/BR16283		(Speedi-Sleeve) .....	99199
<b>1973-1966 GT6 &amp; Spitfire:</b>			<b>1973-1966 GT6:</b>		
	Bearing .....	BR15123/BR15245		Seal .....	19993
<b>1970-1966 1300:</b>				(Speedi-Sleeve) .....	99199
	Bearing .....	LM29749/LM29710	<b>1973-1966 TR4 &amp; TR4A:</b>		
<b>Clutch</b>				Seal .....	17386
<b>Release</b>				(Speedi-Sleeve) .....	99174
<b>1980-1975 TR7 &amp; TR8:</b>			<b>1969-1968 TR250:</b>		
	Bearing Only .....	N3043		Seal .....	19993
<b>1980-1968 Spitfire:</b>				(Speedi-Sleeve) .....	99199
	Bearing Only .....	N3042	<b>1969-1968 TR3 &amp; TR3A:</b>		
<b>1973-1966 GT6:</b>				Seal .....	17386
	Bearing Only .....	N3043		(Speedi-Sleeve) .....	99174
<b>Transmission-Automatic</b>			<b>1967-1964 2000:</b>		
<b>Front Pump</b>				Seal .....	19993
<b>1976-1975 TR7:</b>				(Speedi-Sleeve) .....	99199
	Seal .....	16692	<b>Steering-Standard</b>		
	(Speedi-Sleeve) .....	99168	<b>Gear Housing</b>		
<b>Rear</b>			<b>1975-1957 TR3, TR3A, TR4, TR4A, TR6 &amp; TR250:</b>		
<b>1976-1975 TR7:</b>				Seal .....	16719
	Seal .....	13568			
	(Speedi-Sleeve) .....	99138			
<b>Transmission-Manual</b>					
<b>Front</b>					
<b>1976-1975 TR7 w/4 Spd. Trans.:</b>					
	Seal .....	10515			
	(Speedi-Sleeve) .....	99106			
<b>1976-1975 TR7 w/5 Spd. Trans.:</b>					
	Seal .....	10625			
	(Speedi-Sleeve) .....	99106			
<b>1976-1970 TR6:</b>					
	Seal .....	12456			
	(Speedi-Sleeve) .....	99125			
	(Speedi-Sleeve/Seal Kit) .....	480125			

## Passenger cars, light & medium trucks

### Vauxhall

MFG./YEAR	MODEL & LOCATION	PART NO.	MFG./YEAR	MODEL & LOCATION	PART NO.
<b>Wheel Front</b>			<b>Pinion (Cont.)</b>		
1979-1963	Victor:		1974-1968	Victor 3300:	
	Bearing (Outer) .....	BR1		Bearing (Front) .....	BR30207
	(Set Components) .....	LM11749/LM11710		Bearing (Rear) .....	BR3490/BR3420
1973-1968	Victor 1600, 1800 & 2000:		1972-1965	Cresta:	
	Bearing (Inner) .....	BR4		Bearing (Front) .....	BR30207
	(Set Components) .....	L44649/L44610		Bearing (Rear) .....	BR3490/BR3420
1972-1965	Cresta:		<b>Transmission-Manual</b>		
	Bearing (Inner) .....	BR30206	<b>Shift Shaft</b>		
	Bearing (Outer) .....	BR30204	1965-1962	Victor & Victor Super:	
<b>Wheel Rear</b>				Seal .....	3687
1968-1963	Cresta & Velox Series PB:		1961-1958	Cresta, Velox & Victor:	
	Seal .....	15004		Seal .....	3687
1968-1961	Victor Series FBW:		<b>Alternator</b>		
	Seal .....	15004	1975-1968	Victor:	
1968-1960	Sherwood Estate Car:			Bearing .....	6202-J
	Seal .....	15004			
1962-1959	Cresta & Velox Series PA:				
	Seal .....	15004			
1961-1957	Victor Series F Estate Car:				
	Seal .....	15004			
<b>Pinion</b>					
1974-1968	Victor Exc. 3300:				
	Bearing (Front) .....	BR32206			

### Volkswagen Beetle, Cabriolet, Corrado, Dasher, Eurovan, GLI, Fox, Golf, Jetta, Passat, Routan, Quantum, Rabbit, Scirocco, Vanagon, Vanagon Syncro, Type I:, Karmann Ghia, Super Beetle, Thing, 18i, Type II:, Transporter, Type III:, Fastback, Squareback, 1500, 1600, Type IV:, 411, 412

<p><b>Wheel Front</b></p> <p>1995 Euro Van:</p> <p>Sealed Bearing ..... FW155</p> <p>C-Clip ..... CIR161</p> <p>1995-1988 Cabrio, Corrado, Golf &amp; Jetta:</p> <p>Sealed Bearing ..... FW130</p> <p>C-Clip ..... CIR130</p> <p>Bearing Kit ..... WKH1358</p> <p>1995-1990 Passat:</p> <p>Sealed Bearing ..... FW130</p> <p>C-Clip ..... CIR130</p> <p>1993-1992 Cabriolet:</p> <p>Bearing ..... B35</p> <p>1993-1992 Euro Van:</p> <p>Sealed Bearing ..... FW155</p> <p>Bearing Kit ..... WKH3406</p> <p>1993-1987 Fox:</p> <p>Sealed Bearing ..... B38</p> <p>1991-1986 Vanagon Syncro:</p> <p>Seal ..... 25410</p> <p>Sealed Bearing ..... FW161</p> <p>1991-1985 Vanagon Exc. Syncro:</p> <p>Seal ..... 21648</p> <p>Bearing (Inner) ..... LM300849/LM300811</p> <p>Bearing (Outer) ..... BR12</p> <p>(Set Components) ..... LM12749/LM12710</p> <p>1991-1985 Cabriolet:</p> <p>Bearing ..... B35</p> <p>1988-1985 Scirocco:</p> <p>Bearing ..... B35</p> <p>Bearing Kit ..... WKH593</p>	<p><b>Wheel Front (Cont.)</b></p> <p>1988-1983 Quantum &amp; Quantum Syncro:</p> <p>Sealed Bearing ..... B38</p> <p>1987-1985 Golf Thru Ser. J010564:</p> <p>Sealed Bearing ..... FW107</p> <p>1987-1985 Jetta:</p> <p>Sealed Bearing ..... FW107</p> <p>1984-1980 Jetta:</p> <p>Bearing ..... B35</p> <p>Bearing Kit ..... WKH593</p> <p>1984-1980 Vanagon Thru Ser. 24E023827:</p> <p>Seal ..... 21648</p> <p>Bearing (Inner) ..... LM300849/LM300811</p> <p>Bearing (Outer) ..... BR2</p> <p>(Set Components) ..... LM11949/LM11910</p> <p>1984-1976 Cabriolet, Rabbit &amp; Scirocco:</p> <p>Bearing ..... B35</p> <p>Bearing Kit ..... WKH593</p> <p>1981-1974 Dasher:</p> <p>Sealed Bearing ..... B38</p> <p>1979-1968 Type I From Chas. 118-857-240 w/Disc Brks.:</p> <p>Seal ..... 15805</p> <p>Bearing (Inner) ..... BR8</p> <p>(Set Components) ..... L45449/L45410</p> <p>Bearing (Outer) ..... BR1</p> <p>(Set Components) ..... LM11749/LM11710</p> <p style="text-align: right;">(Continued)</p>
--	--

## Passenger cars, light & medium trucks

(Cont.) -- Volkswagen Beetle, Cabriolet, Corrado, Dasher, Eurovan, GLI, Fox, Golf, Jetta, Passat, Routan, Quantum, Rabbit, Scirocco, Vanagon, Vanagon Syncro, Type I:, Karmann Ghia, Super Beetle, Thing, 18i, Type II:, Transporter, Type III:, Fastback, Squareback, 1500, 1600, Type IV:, 411, 412

MFG./YEAR	MODEL & LOCATION	PART NO.	MFG./YEAR	MODEL & LOCATION	PART NO.
<b>Wheel Front (Cont.)</b>			<b>Wheel Front (Cont.)</b>		
1979-1968	Type I From Chas. 118-857-240 w/Drum Brks.:		1965-1947	Type I:	
	Seal .....	550247		Seal .....	550199
	Bearing (Inner) .....	BR8		Bearing (Inner) .....	BR30305
	(Set Components) .....	L45449/L45410		Bearing (Outer) .....	BR30304
	Bearing (Outer) .....	BR1	1963-1953	Type II:	
	(Set Components) .....	LM11749/LM11710		Seal .....	550185
1979-1968	Type II:			Bearing (Inner) .....	BR30306
	Seal .....	19605		Bearing (Outer) .....	BR30305
	Bearing (Inner) .....	BR6	<b>Wheel Rear</b>		
	(Set Components) .....	LM67048/LM67010	1995-1992	Euro Van:	
	Bearing (Outer) .....	BR2		Sealed Bearing .....	FW155
	(Set Components) .....	LM11949/LM11910	1995-1989	Cabrio, Cabriolet & Corrado:	
1974-1971	Type IV:			Seal .....	15805
	Seal .....	15805		Bearing (Inner) .....	BR8
	Bearing (Inner) .....	BR8		(Set Components) .....	L45449/L45410
	(Set Components) .....	L45449/L45410		Bearing (Outer) .....	BR1
	Bearing (Outer) .....	BR1		(Set Components) .....	LM11749/LM11710
	(Set Components) .....	LM11749/LM11710	1995-1989	Golf, Jetta & Passat:	
1973-1968	Type III From Chas. 318-189-214:			Seal .....	15800
	Seal .....	550217		Bearing (Inner) .....	BR8
	Bearing (Inner) .....	BR8		(Set Components) .....	L45449/L45410
	(Set Components) .....	L45449/L45410		Bearing (Outer) .....	BR1
	Bearing (Outer) .....	BR1		(Set Components) .....	LM11749/LM11710
	(Set Components) .....	LM11749/LM11710	1993-1987	Fox:	
1968-1967	Type I From Chas. 117-000-001 Thru 118-857-239 w/Disc Brks.:			Seal .....	14705
	Seal .....	550270		Bearing (Inner) .....	BR8
	Bearing (Inner) .....	BR4		(Set Components) .....	L45449/L45410
	(Set Components) .....	L44649/L44610		Bearing (Outer) .....	BR1
	Bearing (Outer) .....	BR1		(Set Components) .....	LM11749/LM11710
	(Set Components) .....	LM11749/LM11710	1992-1971	Type II & Vanagon:	
1968-1966	Type I From Chas. 116-000-001 Thru 118-857-239 w/Drum Brks.:			Seal .....	18972
	Seal .....	550217		Bearing (Inner) .....	6207-J
	Bearing (Inner) .....	BR4		Bearing (Outer) .....	GRW111
	(Set Components) .....	L44649/L44610	1988-1986	Quantum Syncro:	
	Bearing (Outer) .....	BR1		Sealed Bearing .....	B38
	(Set Components) .....	LM11749/LM11710	1988-1975	Scirocco:	
1968-1965	Type III From Chas. 315-067-551 Thru 318-189-213:			Seal .....	15731
	Seal .....	550270		Bearing Kit .....	WKH529
	Bearing (Inner) .....	BR4	1988-1974	Cabriolet, Dasher, Golf & Jetta; Quantum Exc. Syncro; Rabbit & Scirocco:	
	(Set Components) .....	L44649/L44610		Seal .....	15805
	Bearing (Outer) .....	BR1		Bearing (Inner) .....	BR8
	(Set Components) .....	LM11749/LM11710		(Set Components) .....	L45449/L45410
1967-1964	Type II:			Bearing (Outer) .....	BR1
	Seal .....	550185		(Set Components) .....	LM11749/LM11710
	Bearing (Inner) .....	BR6	1979-1968	Type I Exc. Thing:	
	(Set Components) .....	LM67048/LM67010		Seal .....	550154
	Bearing (Outer) .....	BR2		Bearing (Inner) .....	6206-J
	(Set Components) .....	LM11949/LM11910		Bearing (Outer) .....	MA1206-UV
1965-1961	Type III Thru Chas. 315-067-550:		1974-1973	Thing w/Double Joint Axle:	
	Seal .....	14708		Seal .....	17149
	Bearing (Inner) .....	BR4		Bearing (Inner) .....	6206-J
	(Set Components) .....	L44649/L44610		Bearing (Outer) .....	MA1206-UV
	Bearing (Outer) .....	BR1	1974-1973	Thing w/Swing Axle:	
	(Set Components) .....	LM11749/LM11710		Seal .....	17149
				Bearing .....	6306-J

(Continued)

## Passenger cars, light & medium trucks

**Volkswagen Beetle, Cabriolet, Corrado, Dasher, Eurovan, GII, Fox, Golf, Jetta, Passat, Routan, Quantum, Rabbit, Scirocco, Vanagon, Vanagon Syncro, Type I:, Karmann Ghia, Super Beetle, Thing, 18i, Type II:, Transporter, Type III:, Fastback, Squareback, 1500, 1600, Type IV:, 411, 412 -- (Cont.)**

MFG./YEAR	MODEL & LOCATION	PART NO.	MFG./YEAR	MODEL & LOCATION	PART NO.
<b>Wheel Rear (Cont.)</b>			<b>Pinion (Cont.)</b>		
1974-1971	Type IV:		<b>Front Axle (Cont.)</b>		
	Bearing	[2] LM78349/LM78310-A	1975-1974	Dasher w/Auto. Trans.:	
1973-1968	Type III w/Double Joint Axle:		Seal (Inner)		11611
	Seal (Inner)	550154	(Speedi-Sleeve) (Inner)		99114
	Seal (Outer)	17149	Seal (Outer)		14706
	Bearing (Inner)	6206-J	(Speedi-Sleeve) (Outer)		99147
	Bearing (Outer)	MA1206-UV	Bearing	[2] M86649/M86610	
1970-1968	Type II:		<b>Rear Axle</b>		
	Seal	18972	1991-1968	Type II & Vanagon w/Auto. Trans.:	
	Bearing (Inner)	6207-J	Seal (Front)		14710
	Bearing (Outer)	MU1207-CX	(Speedi-Sleeve) (Front)		99147
1968-1961	Type III w/Swing Axle:		Seal (Rear)		11611
	Seal	17149	(Speedi-Sleeve) (Rear)		99114
	Bearing	6306-J	Bearing	M86649/M86610	
1967-1953	Type II:		1988-1985	Quantum Syncro:	
	Bearing	MU1207-CX	Bearing (Front)		BR52
1967-1947	Type I:		(Set Components)	M88048/M88010	
	Seal	550154	1973-1961	Type III:	
	Bearing	6306-J	Seal		11611
<b>Pinion</b>			(Speedi-Sleeve)		99114
<b>Front Axle</b>			Bearing		M86649/M86610
1991-1986	Vanagon Syncro:		<b>Differential</b>		
	Seal	15856	<b>Rear Axle</b>		
	(Speedi-Sleeve)	99157	1991-1986	Vanagon & Vanagon Syncro w/Man. Trans.:	
1988-1987	Quantum w/Auto. Trans. & 5 Cyl. Eng.:		Bearing		32010-X
	Seal (Inner)	10923	1991-1980	Vanagon w/Auto. Trans.:	
	(Speedi-Sleeve) (Inner)	99111	Bearing	LM300849/LM300811	
	Seal (Outer)	17753	1988-1985	Quantum Syncro w/Man. Trans.:	
	(Speedi-Sleeve) (Outer)	99177	Seal (R.H.)		17629
	Bearing (Inner)	BR52	(Speedi-Sleeve) (R.H.)		99177
	(Set Components)	M88048/M88010	Bearing (L.H.)		BR37
	Bearing (Outer)	M86649/M86610	(Set Components)	LM603049/LM603011	
1988-1975	Cabriolet, Golf, Jetta, Rabbit & Scirocco w/Auto. Trans.:		Bearing (R.H.)		BR35
	Seal (Inner)	11611	(Set Components)	LM501349/LM501310	
	(Speedi-Sleeve) (Inner)	99114	1987-1976	Type II w/Man. Trans.:	
	Seal (Outer)	14706	Bearing		32010-X
	(Speedi-Sleeve) (Outer)	99147	1985-1980	Vanagon w/Man. Trans.:	
	Bearing	BR6	Bearing		32010-X
	(Set Components)	LM67048/LM67010	1980-1947	Type I, II, III & IV w/Man. Trans. & Auto. Stick Shift:	
1986-1983	Quantum w/Auto. Trans. & 5 Cyl. Eng.:		Bearing (Pilot)		LM300849/LM300811
	Seal (Inner)	10923	1979-1968	Type I & II w/Auto. Trans.:	
	(Speedi-Sleeve) (Inner)	99111	Bearing		LM29749/LM29710
	Seal (Outer)	14710	1975-1968	Type II w/Man. Trans. w/o Auto. Stick Shift:	
	(Speedi-Sleeve) (Outer)	99147	Bearing		LM503349/LM503310
	Bearing (Inner)	BR52	1974-1973	Thing:	
	(Set Components)	M88048/M88010	Bearing (Inner)		6015-J
	Bearing (Outer)	M86649/M86610	Bearing (Outer)		LM300849/LM300811
1986-1976	Dasher, Quantum w/Auto. Trans. & 4 Cyl. Eng.:		1974-1961	Type III & IV w/Auto. Trans.:	
	Seal (Inner)	10173	Bearing		LM29749/LM29710
	(Speedi-Sleeve) (Inner)	99103	1974-1961	Type III & IV w/Man. Trans.:	
	Seal (Outer)	14710	Bearing		LM300849/LM300811
	(Speedi-Sleeve) (Outer)	99147	1968-1953	Type I:	
	Bearing	[2] M86649/M86610	Bearing		6015-J
			1967-1953	Type II:	
			Bearing		6210-J
					(Continued)



## Passenger cars, light & medium trucks

(Cont.) -- Volkswagen Beetle, Cabriolet, Corrado, Dasher, Eurovan, GLI, Fox, Golf, Jetta, Passat, Routan, Quantum, Rabbit, Scirocco, Vanagon, Vanagon Syncro, Type I:, Karmann Ghia, Super Beetle, Thing, 18i, Type II:, Transporter, Type III:, Fastback, Squareback, 1500, 1600, Type IV:, 411, 412

MFG./YEAR	MODEL & LOCATION	PART NO.	MFG./YEAR	MODEL & LOCATION	PART NO.
<b>Clutch</b>			<b>Transaxle-Automatic (Cont.)</b>		
<b>Release</b>			<b>Front Pump (Cont.)</b>		
1995-1984	Cabrio, Golf & Jetta:		1975-1974	Dasher:	
	Bearing Assembly .....	N4075		Seal .....	16507
1993-1987	Fox w/5 Spd. Transaxle:			(Speedi-Sleeve) .....	99169
	Bearing Assembly .....	N4100	<b>Output Shaft</b>		
1993-1987	Fox w/4 Spd. Transaxle:		1994-1992	Corrado w/2.8L Eng.:	
	Bearing Assembly .....	N4100		Seal .....	13433
1992-1984	Cabriolet & Rabbit:			(Speedi-Sleeve) .....	99134
	Bearing Assembly .....	N4075	1992-1990	Corrado w/1.8L Eng.:	
1991-1976	Type II & Vanagon:			Seal .....	13933
	Bearing Assembly .....	N4100		(Speedi-Sleeve) .....	99139
1988-1983	Quantum:		1992-1990	Passat:	
	Bearing Assembly .....	N4100		Seal .....	13933
1983-1979	Jetta, Rabbit & Scirocco w/5 Spd. Man. Trans.:			(Speedi-Sleeve) .....	99139
	Bearing Assembly .....	N4075	1991	Vanagon:	
1983-1975	Jetta, Rabbit, Scirocco w/4 Spd. Man. Trans.:			Seal .....	17750
	Bearing Assembly .....	N4075		(Speedi-Sleeve) .....	99177
1979-1971	Type I w/Man. Trans.:		1991-1986	Cabriolet & Scirocco:	
	Bearing Assembly .....	N1850		Seal .....	19601
1978-1974	Dasher:			(Speedi-Sleeve) .....	99196
	Bearing Assembly .....	N1850	1990-1988	Jetta:	
1975-1971	Type II:			Seal .....	19601
	Bearing Assembly .....	N1850		(Speedi-Sleeve) .....	99196
1973-1971	Type III:		1990-1968	Dasher, Quantum, Type II, III, IV, & Vanagon:	
	Bearing Assembly .....	N1850		Seal .....	17629
1970-1961	Type III:			(Speedi-Sleeve) .....	99177
	Bearing Assembly .....	N1845	1985-1975	Jetta, Rabbit & Scirocco:	
1970-1947	Type I & II w/Man. Trans.:			Seal .....	14046
	Bearing Assembly .....	N1845		(Speedi-Sleeve) .....	99146
<b>Transaxle-Automatic</b>			1979-1968	Type I:	
<b>Differential</b>				Seal .....	14045
1995-1994	Golf & Jetta:			(Speedi-Sleeve) .....	99146
	Bearing .....	LM29749/LM29710	<b>Transaxle-Manual</b>		
1995-1990	Corrado & Passat:		<b>Clutch Push Rod</b>		
	Bearing .....	LM300849/LM300811	1991-1975	Cabriolet, Golf, Jetta, Rabbit & Scirocco:	
1993-1975	Cabriolet, Golf, Jetta, Rabbit & Scirocco:			Seal .....	3036
	Bearing .....	LM29749/LM29710	<b>Differential</b>		
1988-1987	Quantum Exc. Syncro:		1995-1994	Golf & Jetta:	
	Bearing .....	LM300849/LM300811		Bearing .....	LM29749/LM29710
1986-1982	Quantum:		1995-1990	Corrado & Passat:	
	Bearing .....	LM29749/LM29710		Bearing .....	LM300849/LM300811
1981-1974	Dasher:		1993-1992	Euro Van:	
	Bearing .....	LM29749/LM29710		Bearing .....	LM503349/LM503310
<b>Front Pump</b>			1993-1987	Fox:	
1995-1994	Golf & Jetta:			Bearing .....	LM300849/LM300811
	Seal .....	16456	1993-1975	Cabriolet, Golf, Jetta, Rabbit & Scirocco:	
1995-1990	Corrado & Passat:			Bearing .....	LM29749/LM29710
	Seal .....	20210	1991-1986	Vanagon Syncro:	
1993-1975	Cabriolet, Dasher, Golf, Jetta, Quantum, Rabbit & Scirocco:			Seal .....	17773
	Seal .....	16456		(Speedi-Sleeve) .....	99177
1991-1980	Vanagon:			Bearing .....	32010-X
	Seal .....	16507	1988-1983	Quantum:	
	(Speedi-Sleeve) .....	99169		Bearing (L.H.) .....	BR35
1979-1968	Type II, III & IV:			(Set Components) .....	LM501349/LM501310
	Seal .....	16507		Bearing (R.H.) .....	LM300849/LM300811
	(Speedi-Sleeve) .....	99169			(Continued)

## Passenger cars, light & medium trucks

**Volkswagen Beetle, Cabriolet, Corrado, Dasher, Eurovan, GLI, Fox, Golf, Jetta, Passat, Routan, Quantum, Rabbit, Scirocco, Vanagon, Vanagon Syncro, Type I:, Karmann Ghia, Super Beetle, Thing, 18i, Type II:, Transporter, Type III:, Fastback, Squareback, 1500, 1600, Type IV:, 411, 412 -- (Cont.)**

MFG./YEAR	MODEL & LOCATION	PART NO.	MFG./YEAR	MODEL & LOCATION	PART NO.
<b>Transaxle-Manual (Cont.)</b>			<b>Transaxle-Manual (Cont.)</b>		
<b>Differential (Cont.)</b>			<b>Output Shaft (Cont.)</b>		
1986-1974	Dasher & Quantum w/4 Cyl. Eng.:		1988-1985	Quantum Syncro:	
	Bearing .....	LM300849/LM300811	Seal .....		15803
			(Speedi-Sleeve) .....		99157
			1988-1983	Quantum w/5 Cyl. Eng. Exc. Syncro:	
			Seal .....		17629
			(Speedi-Sleeve) .....		99177
			1987	Cabriolet, Golf & Scirocco:	
			Seal .....		19601
			(Speedi-Sleeve) .....		99196
			1987-1984	Jetta:	
			Seal .....		19601
			(Speedi-Sleeve) .....		99196
			1986-1975	Cabriolet, Rabbit & Scirocco:	
			Seal .....		14040
			(Speedi-Sleeve) .....		99146
			1986-1974	Dasher, Quantum w/4 Cyl. Eng. Exc. Syncro:	
			Seal .....		15805
			(Speedi-Sleeve) .....		99157
			1983-1980	Jetta:	
			Seal .....		14040
			(Speedi-Sleeve) .....		99146
			1979-1947	Type I, III & IV:	
			Seal .....		14045
			(Speedi-Sleeve) .....		99146
			1969-1968	Type II Thru Chas. 219020134:	
			Seal .....		16555
			(Speedi-Sleeve) .....		99169
			<b>Rear Output Shaft</b>		
			1987-1986	Quantum Syncro:	
			Seal .....		15803
			(Speedi-Sleeve) .....		99157
			<b>Shift Shaft</b>		
			1987-1986	Quantum Syncro:	
			Seal .....		6403
			(Speedi-Sleeve) .....		99058
			Bearing (Front) .....		6012-VSP11
			Bearing (Rear) .....		6206-J
			1987-1975	Cabriolet, Golf, Jetta, Rabbit & Scirocco:	
			Seal .....		7000
			(Speedi-Sleeve) .....		99082
			1987-1974	Dasher, Fox & Quantum Exc. Syncro:	
			Seal .....		5790
			(Speedi-Sleeve) .....		99059
			<b>Alternator</b>		
			1987-1986	Cabriolet, Jetta, Quantum, Scirocco & Vanagon w/90 Amp.:	
			Bearing (Front) .....		6303-2RSJ
			1987-1981	Cabriolet, Fox, Jetta, Scirocco & Vanagon Exc. 90 Amp.:	
			Bearing (Front) .....		6203-2RSJ
			Bearing (Rear) .....		6201-2RSJ
			1985-1982	Quantum w/75 & 90 Amp.:	
			Bearing (Front) .....		6303-2RSJ
			1985-1980	Scirocco & Vanagon w/90 Amp.:	
			Bearing (Front) .....		6303-2RSJ
					(Continued)

## Passenger cars, light & medium trucks

(Cont.) -- Volkswagen Beetle, Cabriolet, Corrado, Dasher, Eurovan, GLI, Fox, Golf, Jetta, Passat, Routan, Quantum, Rabbit, Scirocco, Vanagon, Vanagon Syncro, Type I:, Karmann Ghia, Super Beetle, Thing, 18i, Type II:, Transporter, Type III:, Fastback, Squareback, 1500, 1600, Type IV:, 411, 412

MFG./YEAR	MODEL & LOCATION	PART NO.	MFG./YEAR	MODEL & LOCATION	PART NO.
<b>Alternator (Cont.)</b>			<b>Engine (Cont.)</b>		
1984-1975	Scirocco w/55 Amp.:		<b>Camshaft</b>		
	Bearing (Front) .....	6203-2RSJ	1995-1974	All:	
	Bearing (Rear) .....	6201-2RSJ		Seal .....	12733
1981-1978	Dasher w/45 Amp.:			(Speedi-Sleeve) .....	99128
	Bearing (Front) .....	6203-2RSJ	<b>Crankshaft-Rear</b>		
	Bearing (Rear) .....	6203-2RSJ	1995-1992	Golf w/1.6L & 1.8L Engs.; Jetta w/1.6L, 1.8L & 2.0L Engs.; Passat:	
1981-1974	Dasher w/35 & 55 Amp.:			Seal .....	33413
	Bearing (Front) .....	6203-2RSJ		(Speedi-Sleeve) .....	99332
	Bearing (Rear) .....	6201-2RSJ	1992-1991	Corrado w/1.8L Eng.:	
1980	Vanagon w/65 Amp.:			Seal .....	33413
	Bearing (Front) .....	6203-J		(Speedi-Sleeve) .....	99332
	Bearing (Rear) .....	6201-2RSJ	1991-1977	Vanagon w/1.9L, 2.0L & 2.1L Engs.; Type II:	
1980-1979	Jetta & Rabbit w/35 & 55 Amp.:			Seal (Viton) .....	29526
	Bearing (Front) .....	6203-2RSJ		Seal .....	29525
	Bearing (Rear) .....	6201-ZJ		(Speedi-Sleeve) .....	99294
1980-1979	Jetta & Rabbit w/65 Amp.:		1991-1974	Exc. Corrado w/1.8L Eng., Jetta w/2.0L Eng. & Vanagon w/1.9L, 2.0L & 2.1L Engs.:	
	Bearing (Front) .....	6203-2RSJ		Seal .....	33416
	Bearing (Rear) .....	6201-2RSJ		(Speedi-Sleeve) .....	99334
1980-1978	Dasher w/65 Amp.:		1990	Corrado w/1.8L Eng.; Jetta w/2.0L Eng.:	
	Bearing (Front) .....	6203-2RSJ		Seal .....	33413
	Bearing (Rear) .....	6201-ZJ		(Speedi-Sleeve) .....	99332
1980-1975	Scirocco w/35 & 65 Amp.:		1979-1961	Type I & III:	
	Bearing (Front) .....	6202-J		Seal .....	27292
	Bearing (Rear) .....	6201-ZJ		(Speedi-Sleeve) .....	99274
1979-1971	Type I:		1976-1963	Type II w/o 1.2L Eng.:	
	Bearing (Front) .....	6203-2RSJ		Seal .....	27292
	Bearing (Rear) .....	6202-ZJ		(Speedi-Sleeve) .....	99274
1979-1968	Type II w/55 Amp.:		1974-1971	Type IV:	
	Bearing (Front) .....	6203-ZJ		Seal .....	29525
	Bearing (Rear) .....	6201-2RSJ		(Speedi-Sleeve) .....	99294
1979-1968	Type II w/70 Amp.:		1965-1953	Type II w/1.2L Eng.:	
	Bearing (Front) .....	6303-ZJ		Seal .....	23441
1978-1975	Rabbit:			(Speedi-Sleeve) .....	99235
	Bearing (Front) .....	6203-2RSJ	1960-1947	Type I:	
	Bearing (Rear) .....	6201-ZJ		Seal .....	23441
1977-1974	Dasher w/65 Amp.:			(Speedi-Sleeve) .....	99235
	Bearing (Front) .....	6202-J	<b>Oil Pump</b>		
	Bearing (Rear) .....	6201-ZJ	1993-1990	Passat w/2.0L Eng.:	
1977-1974	Dasher w/75 Amp.:			Seal .....	12724
	Bearing (Front) .....	6303-ZJ		(Speedi-Sleeve) .....	99128
1974-1971	Type IV:		<b>Timing Belt Tensioner</b>		
	Bearing (Front) .....	6203-2RSJ	1995	Golf w/2.0L Eng.:	
	Bearing (Rear) .....	6201-2RSJ		Bearing & Housing Assy. ....	VKM11000
<b>Drive Shaft</b>			1995	Jetta & Passat w/2.0L Eng.:	
1987-1986	Vanagon Syncro:			Bearing & Housing Assy. ....	VKM11000
	Bearing (Front) .....	6007-J	1994-1988	4 Cyl. SOHC Eng.:	
	Bearing (Rear) .....	6206-J		Bearing & Housing Assy. ....	VKM11000
<b>Engine</b>			1992-1987	Cabriolet, Corrado, Golf & Jetta w/DOHC Eng.:	
<b>Auxiliary Shaft</b>				Bearing & Housing Assy. ....	VKM11020
1987-1974	All:		1992-1981	1.5L & 1.6L Diesel Engs.:	
	Seal .....	12724		Bearing & Housing Assy. ....	VKM11010
	(Speedi-Sleeve) .....	99128			(Continued)

## Passenger cars, light & medium trucks

**Volkswagen Beetle, Cabriolet, Corrado, Dasher, Eurovan, GII, Fox, Golf, Jetta, Passat, Routan, Quantum, Rabbit, Scirocco, Vanagon, Vanagon Syncro, Type I:, Karmann Ghia, Super Beetle, Thing, 18i, Type II:, Transporter, Type III:, Fastback, Squareback, 1500, 1600, Type IV:, 411, 412 -- (Cont.)**

MFG./YEAR	MODEL & LOCATION	PART NO.	MFG./YEAR	MODEL & LOCATION	PART NO.
<b>Engine (Cont.)</b>			<b>Engine (Cont.)</b>		
<b>Timing Belt and Tensioner Kit</b>			<b>Timing Cover (Cont.)</b>		
1995	Cabrio w/2.0L Eng.:		1988-1983	Quantum & Quantum Syncro w/2.2L Eng.:	
	Belt & Tensioner Kit .....	VKMA01002	Seal .....		13709
1995-1993	Golf, GTI & Jetta w/2.0L Eng.:		(Speedi-Sleeve) .....		99139
	Belt & Tensioner Kit .....	VKMA01002	1986-1982	Quantum & Vanagon w/1.6L & 1.8L Engs.:	
1995-1981	1.7L & 1.8L SOHC Engs.:		Seal .....		12724
	Belt & Tensioner Kit .....	VKMA01000	(Speedi-Sleeve) .....		99128
<b>Timing Cover</b>			1982-1969	Vanagon w/2.0L Eng.; Type II & IV:	
1995-1992	Euro Van w/2.4L & 2.5L Engs.; Passat w/2.8L Eng.:		Seal .....		16523
	Seal .....	13709	(Speedi-Sleeve) .....		99169
	(Speedi-Sleeve) .....	99139	<b>Generator</b>		
1995-1974	Cabriolet, Dasher, Fox, Golf, Jetta, Rabbit & Scirocco w/4 Cyl. Eng.:		1979-1953	Type II & III:	
	Seal .....	12724	Bearing .....		6202-2ZJ
	(Speedi-Sleeve) .....	99128	1973-1954	Type I:	
1993-1990	Passat w/1.9L Diesel & 2.0L Gas Engs.:		Bearing .....		6202-2ZJ
	Seal .....	12724			
	(Speedi-Sleeve) .....	99128			
1992-1990	Corrado w/1.8L Eng.:				
	Seal .....	12724			
	(Speedi-Sleeve) .....	99128			

**Volvo DL, GL, GLE, GLT, P110, P120, P130, P220, 140 series, 164, 1800, 240 series, 260 series, 740 series, 760 series, 780 series, 850 series, 940 series, 960 series**

MFG./YEAR	MODEL & LOCATION	PART NO.	MFG./YEAR	MODEL & LOCATION	PART NO.
<b>Wheel Front</b>			<b>Wheel Front (Cont.)</b>		
1995	940 & 960:		1987-1983	740, 760, 760GLE & 780:	
	Hub Assembly (Kit) .....	BR930241K	Seal .....		18465
	Bearing Kit .....	WKH3425	Bearing (Inner) .....		BR17
1995-1994	850 w/5 Bolt Hole:		(Set Components) .....		L68149/L68111
	Hub Assembly .....	BR930249	Bearing (Outer) .....		BR16
1994-1992	740, 940 & 960 w/ABS:		(Set Components) .....		LM12749/LM12711
	Hub Assembly (Kit) .....	BR930056K	Bearing Kit .....		WKH732
1994-1988	740, 760, 780, 940 & 960 w/o ABS:		1981-1975	240 & 260 Series w/16mm Spindle Thread:	
	Hub Assembly .....	BR930054	Seal .....		400451
	Bearing Kit .....	WKH1313-A	Bearing (Inner) .....		BR6
1993	850:		(Set Components) .....		LM67048/LM67010
	Hub Assembly .....	BR930245	Bearing (Outer) .....		BR2
1993-1981	240 & 260 Series w/18mm Spindle Thread:		(Set Components) .....		LM11949/LM11910
	Seal .....	400451	1978-1975	245, 245T & 264TE:	
	Bearing (Inner) .....	BR17	Bearing (Inner) .....		BR17
	(Set Components) .....	L68149/L68111	(Set Components) .....		L68149/L68111
	Bearing (Outer) .....	BR16	Bearing (Outer) .....		BR16
	(Set Components) .....	LM12749/LM12711	(Set Components) .....		LM12749/LM12711
	Bearing Kit .....	WKH719	1975-1967	140 Series & 164 Series:	
1991-1989	740, 760, 780 & 940 w/ABS:		Seal .....		400451
	Hub Assembly (Kit) .....	BR930056K	Bearing (Inner) .....		BR6
1988	740 & 760 w/ABS:		(Set Components) .....		LM67048/LM67010
	Hub Assembly (Kit) .....	BR930055K	Bearing (Outer) .....		BR2
			(Set Components) .....		LM11949/LM11910

(Continued)

## Passenger cars, light & medium trucks

(Cont.) -- Volvo DL, GL, GLE, GLT, P110, P120, P130, P220, 140 series, 164, 1800, 240 series, 260 series, 740 series, 760 series, 780 series, 850 series, 940 series, 960 series

MFG./YEAR	MODEL & LOCATION	PART NO.	MFG./YEAR	MODEL & LOCATION	PART NO.
<b>Wheel Front (Cont.)</b>			<b>Wheel Rear (Cont.)</b>		
1973-1957	P110, P120, P130, P220, 444, 445, 544 & 1800:		1961-1957	P110, P120, P130, 444, 445 & 544:	
	Seal .....	550199		Seal (Inner) .....	13649
	Bearing (Inner) .....	BR15112/BR15245		Bearing .....	BR32207
	Bearing (Outer) .....	BR09074/BR09195	<b>Pinion</b>		
	Bearing Kit .....	WKH006	<b>1995-1994 940 &amp; 960 Series w/Tag No. 1041 &amp; 1045:</b>		
<b>Wheel Rear</b>				Seal .....	15788
1995-1994	850 Series:			(Speedi-Sleeve) .....	99155
	Hub Assembly .....	BR930242		Bearing (Front) .....	M86647/M86610
	Bearing Kit .....	WKH3418		Bearing (Rear) .....	BR72
1995-1993	940 & 960 From 9/93:			(Set Components) .....	LM501349/LM501314
	Sealed Bearing .....	GRW219	<b>1993-1992 240 Series w/Tag No. 1030 &amp; 1031:</b>		
1993	850 Series w/4 Bolt Hub:			Seal .....	15788
	Hub Assembly .....	BR930242		(Speedi-Sleeve) .....	99155
1993-1991	940 & 960 w/Live Axle Thru 4/93:			Bearing (Front) .....	M86647/M86610
	Seal .....	18731		Bearing (Rear) .....	HM89449/HM89410
	Sealed Bearing w/Lock Ring .....	GRW131-R	<b>1993-1992 740, 940 &amp; 960 Series w/Tag No. 1041 &amp; 1045:</b>		
1993-1975	240 & 260 Series:			Seal .....	15788
	Seal (Inner) .....	20420		(Speedi-Sleeve) .....	99155
	Seal (Outer) .....	18731		Bearing (Front) .....	M86647/M86610
	Sealed Bearing w/Lock Ring .....	GRW131-R		Bearing (Rear) .....	BR72
	Bearing Kit .....	WKH571		(Set Components) .....	LM501349/LM501314
1992-1988	740 Series:		<b>1991-1986 740, 760, 780 &amp; 940 Series w/Tag No. 1031, 1041, 1045 &amp; 1045C:</b>		
	Seal (Inner) .....	14922		Seal .....	15788
	Seal (Outer) .....	18731		(Speedi-Sleeve) .....	99155
	Sealed Bearing w/Lock Ring .....	GRW131-R		Bearing (Front) .....	M86647/M86610
1991-1988	780:			Bearing (Rear) .....	HM89449/HM89410
	Seal .....	13893	<b>1991-1975 240 &amp; 260 Series w/Tag No. 1030:</b>		
	Sealed Bearing .....	GRW219		Seal .....	15788
1990-1988	760:			(Speedi-Sleeve) .....	99155
	Seal .....	13893		Bearing (Front) .....	M86647/M86610
	Bearing .....	BR35		Bearing (Rear) .....	HM88649/HM88610
	(Set Components) .....	LM501349/LM501310	<b>1991-1975 240 &amp; 260 Series w/Tag No. 1031:</b>		
1987-1983	740, 760, 760GLE & 780:			Seal .....	15788
	Seal (Inner) .....	14922		(Speedi-Sleeve) .....	99155
	Seal (Outer) .....	18731		Bearing (Front) .....	M86647/M86610
	Sealed Bearing w/Lock Ring .....	GRW131-R		Bearing (Rear) .....	HM89449/HM89410
	Bearing Kit .....	WKH733	<b>1990-1988 740 Series w/Tag No. 1030:</b>		
1975-1969	164:			Seal .....	15788
	Seal (Inner) .....	20420		(Speedi-Sleeve) .....	99155
	Seal (Outer) .....	18731		Bearing (Front) .....	M86647/M86610
	Sealed Bearing w/Lock Ring .....	GRW131-R		Bearing (Rear) .....	HM88649/HM88610
	Bearing Kit .....	WKH571	<b>1987-1983 740, 760 &amp; 760GLE Exc. 12161501 &amp; 12162210 Axles:</b>		
1974-1970	140 Series & 1800 Series From Chas. 30001:			Seal .....	15788
	Seal (Inner) .....	20420		(Speedi-Sleeve) .....	99155
	Seal (Outer) .....	18731		Bearing (Front) .....	M86647/M86610
	Sealed Bearing w/Lock Ring .....	GRW131-R		Bearing (Rear) .....	HM89449/HM89410
	Bearing Kit .....	WKH571	<b>1987-1983 740, 760 &amp; 760GLE w/12161501 &amp; 12162210 Axles:</b>		
1970-1962	1800 Thru Chas. 30000:			Seal .....	15788
	Bearing .....	14132-T/BR14276		(Speedi-Sleeve) .....	99155
1969-1967	140 Series:			Bearing (Front) .....	M86647/M86610
	Seal (Outer) .....	18734		Bearing (Rear) .....	HM88649/HM88610
	Bearing .....	BR5	<b>(Continued)</b>		
	(Set Components) .....	LM48548/LM48510			
1968-1962	P110, P120, P130, 444, 445 & 544:				
	Bearing .....	14132-T/BR14276			
1968-1962	P220:				
	Seal (Inner) .....	13710			
	Bearing .....	14132-T/BR14276			

**Volvo DL, GL, GLE, GLT, P110, P120, P130, P220, 140 series, 164, 1800, 240 series, 260 series, 740 series, 760 series, 780 series, 850 series, 940 series, 960 series -- (Cont.)**

MFG./YEAR	MODEL & LOCATION	PART NO.	MFG./YEAR	MODEL & LOCATION	PART NO.
<b>Pinion (Cont.)</b>			<b>Clutch (Cont.)</b>		
1975-1962	P120, P130, 140 Series, 164 & 1800:		<b>Pilot (Cont.)</b>		
	Seal	15788	1990-1985	740, 760 & 760GLE w/B19, B230F, B230FT & B234F Engs.:	
	(Speedi-Sleeve)	99155		Bearing	6202-2RSJ
	Bearing (Front)	M86647/M86610	1990-1983	760 & 780 w/B280 & B280F Engs.:	
	Bearing (Rear)	HM88649/HM88610		Bearing	6203-2RS15
1968-1962	P220:		1978-1975	260 Series w/2.7L Eng.:	
	Seal	15788		Bearing	6203-2RSJ
	(Speedi-Sleeve)	99155	1974-1957	P120, P130, P220, 140 Series & 1800:	
	Bearing (Front)	BR02872/BR02820		Bearing	6202-J
	Bearing (Rear)	BR31593	<b>Release</b>		
1966-1962	P110, 444, 445 & 544:		1995-1985	240, 260, 740, 760 & 940 Series w/B230F, B230FT & B234F Engs.:	
	Seal	15788		Bearing Assembly	N4094
	(Speedi-Sleeve)	99155	1984-1983	760GLE w/o B28 Eng.:	
	Bearing (Front)	BR02872/BR02820		Bearing Assembly	N4022
1961-1957	P110, P120, P130, 444, 445 & 544:		1984-1975	240 & 260 Series w/Borg-Beck Clutch w/o B27 Eng.:	
	Seal	13900		Bearing Assembly	N1849
	(Speedi-Sleeve)	99138	1984-1975	240 & 260 Series w/Fichtel-Sachs Clutch w/o B27 Eng.:	
<b>Differential</b>				Bearing Assembly	N4022
1995-1994	940 & 960 Series w/Tag 1041:		1974-1957	P120, P130, P220, 140 Series & 1800 w/Borg-Beck Clutch:	
	Bearing	BR72		Bearing Assembly	N1849
	(Set Components)	LM501349/LM501314	1974-1957	P120, P130, P220, 140 Series & 1800 w/Fichtel-Sachs Clutch:	
1995-1994	940 & 960 Series w/Tag 1045:			Bearing Assembly	N4022
	Bearing	BR35	1995-1994	AW50-42LE Trans.:	
	(Set Components)	LM501349/LM501310		Seal	14772
1993-1992	240 Series w/Tag No. 1030 & 1031:			(Speedi-Sleeve)	99147
	Bearing	BR72	1995-1992	AW30-40LE Trans.:	
	(Set Components)	LM501349/LM501314		Seal	14719
1993-1992	740, 940 & 960 Series w/Tag No. 1031 & 1041:			(Speedi-Sleeve)	99147
	Bearing	BR72	1995-1979	w/o AW30-40LE, AW50-42LE & ZF22 Trans.:	
	(Set Components)	LM501349/LM501314		Seal	14720
1993-1991	940 & 960 Series w/Tag 1045:			(Speedi-Sleeve)	99147
	Bearing	BR35	1990-1983	ZF22 Trans.:	
	(Set Components)	LM501349/LM501310		Seal	15803
1991	940 Series w/Tag 1041:			(Speedi-Sleeve)	99157
	Bearing	BR72	1978-1960	P120, P130, P220, 140 Series, 164, 1800, 240 & 260 Series w/BW35 Trans.:	
	(Set Components)	LM501349/LM501314		Seal	16898
1991-1962	140 Series, 164, 240, 260 Series, 740, 760, 760GLE & 1800:			(Speedi-Sleeve)	99168
	Bearing	BR72	<b>Rear</b>		
	(Set Components)	LM501349/LM501314	1995-1994	AW50-42LE Trans.:	
1990-1988	780:			Seal	15737
	Bearing	BR35	1995-1992	AW30-40LE & AW71 Trans.:	
	(Set Components)	LM501349/LM501310		Seal	16531
1987	780:			(Speedi-Sleeve)	99169
	Bearing	BR72	1995-1992	w/o AW30-40LE, AW50-42LE & AW71 Trans.:	
	(Set Components)	LM501349/LM501314		Seal	550095
1968-1962	P110, P120, P130, P220, 444, 445 & 544 w/Spicer M27 Axle:		(Continued)		
	Bearing	LM501349/LM501311			
1966-1962	P110, 444, 445 & 544 w/Spicer 25 Axle:				
	Bearing	BR24780/BR24721			
<b>Clutch</b>					
<b>Pilot</b>					
1995-1991	740, 940 & 960 Series w/B230FT & B234F Engs. Exc. Auto. Trans.:				
	Bearing	6202-2RSJ			
1991-1969	164 & 240 Series w/o Diesel Eng.:				
	Bearing	6202-2RSJ			

# Passenger cars, light & medium trucks

(Cont.) -- Volvo DL, GL, GLE, GLT, P110, P120, P130, P220, 140 series, 164, 1800, 240 series, 260 series, 740 series, 760 series, 780 series, 850 series, 940 series, 960 series

MFG./YEAR	MODEL & LOCATION	PART NO.	MFG./YEAR	MODEL & LOCATION	PART NO.
<b>Transmission-Automatic (Cont.)</b>			<b>Transmission-Manual (Cont.)</b>		
<b>Rear (Cont.)</b>			<b>Rear (Cont.)</b>		
1993	240 Series w/AW70 Trans.:		1993-1975	240, 260 & 740 Series w/o O/D Trans.:	
	Seal ..... (Speedi-Sleeve) .....	16531 99169		Seal ..... (Speedi-Sleeve) .....	15801 99157
1991-1960	w/o ZF22 Trans.:		1992-1988	740 w/ O/D Trans.:	
	Seal ..... .....	550095		Seal ..... (Speedi-Sleeve) .....	16871 99168
1990-1983	ZF22 Trans.:		1987-1967	140 Series, 164, 240, 260 Series, 740, 760 & 760GLE w/ O/D Trans.:	
	Seal ..... (Speedi-Sleeve) .....	15750 99157		Seal ..... (Speedi-Sleeve) .....	16871 99168
<b>Transmission-Manual</b>			<b>1975-1969 140 Series &amp; 164:</b>		
<b>Countershaft</b>			Seal ..... (Speedi-Sleeve) .....		
<b>1987-1985 740 &amp; 760:</b>			1975-1969 140 Series & 164:		
	Bearing (Front) ..... (Set Components) .....	BR4 L44649/L44610		Seal ..... (Speedi-Sleeve) .....	15801 99157
	Bearing (Rear) ..... (Set Components) .....	BR4 L44649/L44610	<b>1968-1967 140 Series w/M40 &amp; M41 Trans.:</b>		
<b>1981-1975 240 &amp; 260 Series w/M45, M46 Trans.:</b>			Seal ..... (Speedi-Sleeve) .....		
	Bearing (Front) ..... (Set Components) .....	BR4 L44649/L44610	1968-1962 1800 w/M40 Trans. From Chas. 25500:		
	Bearing (Rear) ..... (Set Components) .....	BR14 L44643/L44610	Seal ..... (Speedi-Sleeve) .....		
<b>1975-1969 164 &amp; 1800:</b>			Bearing ..... .....		
	Bearing (Front) .....	6304-J	1968-1962 1800 w/M40 Trans. Thru Chas. 25499:		
	Bearing (Rear) .....	6305-J	Seal ..... (Speedi-Sleeve) .....		
<b>Front</b>			Bearing ..... .....		
<b>1995-1994 850 Series w/M56 Trans.:</b>			1968-1962 1800 w/M41 Trans.:		
	Seal ..... (Speedi-Sleeve) .....	15844 99157	Seal ..... (Speedi-Sleeve) .....		
<b>1994-1988 240, 740 &amp; 940 Series w/M46 &amp; M47 Trans.:</b>			Bearing ..... .....		
	Seal ..... (Speedi-Sleeve) .....	10939 99111	1968-1957 P120, P130 & P220 w/M30 & M40 Trans.:		
<b>1987-1967 140, 240, 260 Series, 740, 760 &amp; 760GLE:</b>			Seal ..... (Speedi-Sleeve) .....		
	Seal ..... (Speedi-Sleeve) .....	10923 99111	Bearing ..... .....		
<b>1975-1969 164:</b>			1968-1957 P120, P130 & P220 w/M41 Trans.:		
	Seal ..... (Speedi-Sleeve) .....	12717 99128	Seal ..... (Speedi-Sleeve) .....		
	Bearing .....	6208-ZNRJ	Bearing ..... .....		
<b>1973-1969 1800:</b>			1968-1957 P120, P130 & P220 w/O/D:		
	Seal ..... (Speedi-Sleeve) .....	10923 99111	Seal ..... (Speedi-Sleeve) .....		
	Bearing .....	6208-ZNRJ	Bearing ..... .....		
<b>1968-1962 1800:</b>			1966-1958 P110, 444, 445 & 544 w/M30 & M40 Trans.:		
	Seal ..... (Speedi-Sleeve) .....	10923 99111	Seal ..... (Speedi-Sleeve) .....		
	Bearing .....	6207-ZNRJ	Bearing ..... .....		
<b>1968-1957 P110, P120, P130, P220, 444, 445 &amp; 544 w/M30, M40 &amp; M41 Trans.:</b>			<b>Air Conditioning Clutch</b>		
	Seal ..... (Speedi-Sleeve) .....	10930 99111	1984-1975 240 & 260 Series w/Comp. 1214079, 1235215 & 1235412:		
	Bearing .....	6207-ZNRJ	Bearing ..... .....		
<b>Rear</b>			<b>Alternator</b>		
<b>1995-1994 850 Series w/M56 Trans.:</b>			1995-1994 940 & 960 Series w/120 Amp.:		
	Seal ..... (Speedi-Sleeve) .....	15844 99157	Bearing (Front) .....		
<b>1994-1991 940 Series w/M46 Trans.:</b>			Bearing (Rear) .....		
	Seal ..... (Speedi-Sleeve) .....	16871 99168	1995-1986 740, 760, 780 & 940 w/Alt. No. 1363497, 136510, 136511, 1363512 & 3515930:		
			Bearing (Front) .....		
			Bearing (Rear) .....		
			1990-1987 780 w/o Alt. No. 1363510 & 1363512:		
			Bearing (Front) .....		
			6303-2RSJ		

(Continued)

**Volvo DL, GL, GLE, GLT, P110, P120, P130, P220, 140 series, 164, 1800, 240 series, 260 series, 740 series, 760 series, 780 series, 850 series, 940 series, 960 series -- (Cont.)**

MFG./YEAR	MODEL & LOCATION	PART NO.	MFG./YEAR	MODEL & LOCATION	PART NO.
<b>Alternator (Cont.)</b>			<b>Drive Shaft</b>		
1988-1985	240 Series w/Alt. No. 1363493:		1995-1994	940 & 960:	
	Bearing (Front) .....	6305-2RSJ		Bearing .....	6009-2RSJ
	Bearing (Rear) .....	6201-2RSJ	1993-1983	740, 760, 760GLE, 780, 940 & 960 Series w/Type 03 Drive Sh.:	
1987-1985	740, 760 & 760GLE w/Alt. No. 1324953, 1324956 & 1348529:			Bearing .....	6009-2RSJ
	Bearing (Front) .....	6303-2RSJ	1993-1975	240 & 260 Series w/45mm Sh.:	
1987-1985	740, 760 & 760GLE w/Alt. No. 1324957 & 1348508:			Bearing .....	6009-2RSJ
	Bearing (Front) .....	6303-2RSJ	1992-1988	740 & 760 w/Type 13 Drive Sh.:	
	Bearing (Rear) .....	6201-2RSJ		Bearing .....	6007-2RSJ
1987-1979	240 & 260 Series w/Bosch 55 Amp.:		1986-1983	740, 760 & 760GLE w/Type 02HD Drive Sh.:	
	Bearing (Front) .....	6303-2RSJ		Bearing .....	6007-2RSJ
	Bearing (Rear) .....	6201-2RSJ	1984-1983	760GLE w/Type 03HD Drive Sh.:	
1987-1979	240 & 260 Series w/Bosch 70 & 90 Amp.:			Bearing .....	6008-2RSJ
	Bearing (Front) .....	6303-2RSJ	1984-1975	240 & 260 Series w/35mm Sh.:	
1984-1983	760GLE w/Alt. No. 1323351, 1323490 & 1324142:			Bearing .....	6007-2RSJ
	Bearing (Front) .....	6303-2RSJ	1975-1962	140 Series, 164 & 1800 w/Type 1310:	
1984-1983	760GLE w/Alt. No. 1323488 & 1323912:			Bearing .....	6009-2RSJ
	Bearing (Front) .....	6303-2RSJ	1974-1962	P120, P130, P220, 140 Series & 1800 w/Type 1140:	
	Bearing (Rear) .....	6201-2RSJ		Bearing .....	6007-2RSJ
1984-1979	240 & 260 Series w/S.E.V. Marchal 55 Amp.:		1966-1958	P110, 444, 445 & 544:	
	Bearing (Front) .....	6303-2RSJ		Bearing .....	BR88506
	Bearing (Rear) .....	6200-2RSJ	1966-1957	P120, P130 & P220:	
1984-1979	240 & 260 Series w/S.E.V. Marchal 70 Amp.:			Bearing .....	BR88107
	Bearing (Front) .....	6303-2RSJ	<b>Engine</b>		
	Bearing (Rear) .....	6200-RSJ	<b>Auxiliary Shaft</b>		
1978-1975	240 & 260 Series w/Alt. No. 1235019:		1995-1994	940 Series w/B230FT Eng.:	
	Bearing (Front) .....	6303-2RSJ		Seal .....	13945
	Bearing (Rear) .....	6200-2RSJ		(Speedi-Sleeve) .....	99139
1978-1975	240 & 260 Series w/Alt. No. 241735:		1993-1975	240, 260, 740, 760, 760GLE, 780 & 940 Series:	
	Bearing (Front) .....	6203-2RSJ		Seal .....	13945
	Bearing (Rear) .....	6201-2RSJ		(Speedi-Sleeve) .....	99139
1978-1975	240 & 260 Series w/Alt. No. 269061, 269629, 462892 & 893:		<b>Balance Shaft</b>		
	Bearing (Front) .....	6203-2RSJ	1995-1992	960 Series w/B6304F Eng.:	
	Bearing (Rear) .....	6200-2RSJ		Seal .....	11623
1978-1975	240 & 260 Series w/Alt. No. 463930 & 1234977:			(Speedi-Sleeve) .....	99114
	Bearing (Front) .....	6303-2RSJ	1993-1991	940 Series w/B234F Eng.:	
	Bearing (Rear) .....	6201-2RSJ		Seal .....	11623
1978-1975	240 & 260 Series w/Bosch 35 Amp.:			(Speedi-Sleeve) .....	99114
	Bearing (Front) .....	6203-2RSJ	<b>Camshaft</b>		
	Bearing (Rear) .....	6201-2RSJ	1995-1994	850 Series:	
1975-1957	P120, P130, P220 & 164:			Seal (Front) .....	17806
	Bearing (Front) .....	6203-2RSJ		(Speedi-Sleeve) (Front) .....	99179
	Bearing (Rear) .....	6200-2RSJ		Seal (Rear) .....	11623
1974-1962	140 Series & 1800 w/Alt. No. 241527, 241735 & 243793:			(Speedi-Sleeve) (Rear) .....	99114
	Bearing (Front) .....	6203-2RSJ	1995-1992	960 Series:	
	Bearing (Rear) .....	6201-2RSJ		Seal .....	17806
1974-1962	140 & 1800 Series w/Alt. No. 419420, 460085, 462892 & 893:			(Speedi-Sleeve) .....	99179
	Bearing (Front) .....	6203-2RSJ	1995-1975	240, 260, 740, 760, 780 & 940 Series w/ Diesel Eng.:	
	Bearing (Rear) .....	6200-2RSJ		Seal .....	13945
1966-1958	P110, 444, 445 & 544:			(Speedi-Sleeve) .....	99139
	Bearing (Front) .....	6203-J	1986-1981	240, 260 Series, 740 & 760GLE w/Diesel Eng.:	
	Bearing (Rear) .....	6202-J		Seal .....	12724
				(Speedi-Sleeve) .....	99128

(Continued)



## Passenger cars, light & medium trucks

(Cont.) -- Volvo DL, GL, GLE, GLT, P110, P120, P130, P220, 140 series, 164, 1800, 240 series, 260 series, 740 series, 760 series, 780 series, 850 series, 940 series, 960 series

MFG./YEAR	MODEL & LOCATION	PART NO.	MFG./YEAR	MODEL & LOCATION	PART NO.
<b>Engine (Cont.)</b>			<b>Engine (Cont.)</b>		
<b>Crankshaft-Rear</b>			<b>Timing Cover</b>		
1995-1993	850 Series:		1995-1992	960 Series w/B6304F Eng.:	
	Seal .....	38883		Seal .....	14005
1995-1992	960 Series w/B6304F Eng.:			(Speedi-Sleeve) .....	99146
	Seal .....	38883	1995-1994	940 Series w/B230FT Eng.:	
1995-1994	940 Series w/B230FT Eng.:			Seal .....	20466
	Seal .....	36658		(Speedi-Sleeve) .....	99204
1993-1992	740 & 940 Series w/2.3L Eng.:		1993-1969	164, 240, 260, 740, 760, 780 & 940 Series	
	Seal .....	36005		w/o Diesel & V6 Engs.:	
	(Speedi-Sleeve) .....	99360		Seal .....	20466
1991-1969	164, 240, 260, 740, 760, 760GLE, 780 & 940			(Speedi-Sleeve) .....	99204
	Series w/o Diesel, Turbo & 6 Cyl. Engs.:		1990-1988	760 & 780 w/B280F Eng.:	
	Seal .....	36005		Seal .....	16518
	(Speedi-Sleeve) .....	99360		(Speedi-Sleeve) .....	99169
1990-1988	760 & 780 w/B280F Eng.:		1987	780 w/B280 Eng.:	
	Seal .....	31581		Seal .....	16518
	(Speedi-Sleeve) .....	99315		(Speedi-Sleeve) .....	99169
1987-1985	240, 740, 760 & 780 Series w/B280 & V6		1987-1985	240 Series, 740 & 760GLE w/V6 Eng.:	
	Engs.:			Seal .....	16518
	Seal .....	31511		(Speedi-Sleeve) .....	99169
	(Speedi-Sleeve) .....	99317	1986-1981	240, 260, 740, 760 & 760GLE w/Diesel Eng.:	
1986-1980	240, 260 Series, 740, 760 & 760GLE w/Diesel			Seal .....	13709
	Eng.:			(Speedi-Sleeve) .....	99139
	Seal .....	33408	1982-1975	240 & 260 Series w/B27 & B28 Engs.:	
	(Speedi-Sleeve) .....	99333		Seal .....	16518
1984-1976	260 Series w/B27 & B28 Engs.:			(Speedi-Sleeve) .....	99169
	Seal .....	31511	<b>Steering-Power</b>		
	(Speedi-Sleeve) .....	99317	<b>Pump Shaft</b>		
<b>Accessory Drive Belt Tensioner</b>			1995-1991	940 Series:	
1995-1991	850, 940 & 960:			Seal .....	7541
	Bearing (Tensioner) .....	VKM36120	1991-1979	240, 740, 760, 760GLE & 780:	
<b>Timing Belt Idler</b>				Seal .....	7475
1995-1994	850 & 960:		1978-1975	240 & 260 Series Exc. Ser. 1221733 &	
	Bearing & Housing Assy. ....	VKM26600		1229003:	
1994	2.4L Eng.:			Seal .....	7475
	Bearing & Housing Assy. ....	VKM21031	1978-1975	240 & 260 Series w/Ser. 1221733 & 1229003:	
1993-1992	960:			Seal .....	7950
	Bearing & Housing Assy. ....	VKM26610	<b>Steering-Standard</b>		
1993-1986	2.3L Eng.:		<b>Pitman Shaft</b>		
	Bearing & Housing Assy. ....	VKM16402	1975-1969	164:	
<b>Timing Belt Tensioner</b>				Seal .....	11061
1995-1994	850 w/2.3L Eng.:		1974-1967	140 Series:	
	Bearing & Housing Assy. ....	VKM16602		Seal .....	10924
1995-1992	960:		1973-1957	P110, P120, P130, P220, 444, 445, 544 &	
	Bearing & Housing Assy. ....	VKM16600		1800:	
1995-1982	240, 260, 740, 760, 780 & 940 w/2.3L Eng.:			Seal .....	9710
	Bearing & Housing Assy. ....	VKM16300	<b>Worm Shaft</b>		
<b>Timing Belt and Tensioner Kit</b>			1984-1979	240 & 260 Series:	
1992-1991	940 Series w/2.3L Eng.; 960 Series:			Seal .....	9820
	Belt & Tensioner Kit .....	VKMA06300	1978-1975	240 & 260 Series:	
1992-1986	240 Series w/2.3L Eng.:			Seal .....	7205
	Belt & Tensioner Kit .....	VKMA06300	1975-1969	164:	
1992-1986	740 Series w/SOHC Eng.; 760 & 780 Series:			Seal .....	7414
	Belt & Tensioner Kit .....	VKMA06300	1974-1957	P120, P130, P220, 140 Series & 1800:	
				Seal .....	8510

## Passenger cars, light & medium trucks

### Wolseley

MFG./YEAR	MODEL & LOCATION	PART NO.	MFG./YEAR	MODEL & LOCATION	PART NO.
<b>Wheel Front</b>			<b>Pinion</b>		
1971-1962	Hornet:		1965-1956	1500, 1550, 15/60 & 1660:	
	Seal .....	18962		Seal .....	15142
<b>Wheel Rear</b>				(Speedi-Sleeve) .....	99149
1971-1962	6/110:			(Speedi-Sleeve/Seal Kit) .....	480151
	Seal .....	21098	<b>Transmission-Automatic</b>		
1971-1962	1660:		<b>Rear</b>		
	Seal .....	19264	1965-1956	6/90 & 699:	
1968-1965	6/110 MKII Series WBS3:			Seal .....	15620
	Seal .....	21098		(Speedi-Sleeve) .....	99156
1965-1957	1500:		<b>Engine</b>		
	Seal .....	17386	<b>Timing Cover</b>		
1961-1959	15/60:		1965-1956	6/90 & 699:	
	Seal .....	19264		Seal .....	19220
1960-1959	699:			(Speedi-Sleeve) .....	99193
	Seal .....	21098			

### Yugo

<b>Wheel Front</b>			<b>Engine</b>		
1990-1986	All:		<b>Camshaft</b>		
	Sealed Bearing .....	GRW120	1990-1986	All:	
<b>Wheel Rear</b>				Seal .....	11640
1990-1986	All:			(Speedi-Sleeve) .....	99114
	Sealed Bearing .....	GRW120	<b>Oil Pump</b>		
<b>Transaxle-Manual</b>			1989-1986	All:	
<b>Input Shaft</b>				Seal .....	11640
1987-1986	All:			(Speedi-Sleeve) .....	99114
	Seal .....	8558	<b>Timing Cover</b>		
	(Speedi-Sleeve) .....	99085	1990-1986	All:	
<b>Output Shaft</b>				Seal .....	15829
1988-1986	All:			(Speedi-Sleeve) .....	99157
	Seal .....	9705			
	(Speedi-Sleeve) .....	99098			
<b>Alternator</b>					
1988-1986	All:				
	Bearing (Front) .....	6203-ZJ			
	Bearing (Rear) .....	6201-2ZJ			

## NOTES

## SPEEDI-SLEEVE shaft repair kits

### Go from scored to restored in less than 5 minutes!

The SKF SPEEDI-SLEEVE is a fast and effective way to refinish worn shaft. It's quicker than remetalizing or regrinding, and provides an improved sealing system. The outside surface of an SKF SPEEDI-SLEEVE forms an ideal sealing surface. Many popular regrinding and refinishing techniques produce a surface that cannot be properly sealed.



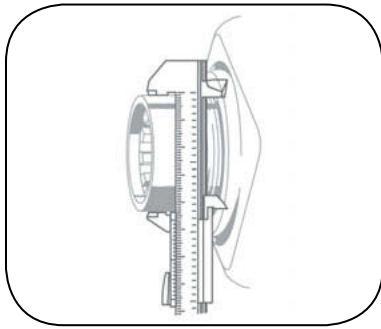
The standard range of SKF SPEEDI-SLEEVE sizes covers shaft diameters from .472" to 8" (12 mm to 200 mm). The SKF SPEEDI-SLEEVE is thin-walled, 0.011" (0,28 mm), and made of high quality stainless steel. The contact surface is wear-resistant with a finish of  $R_a$  10 to 20  $\mu\text{in}$  (0,25 to 0,5  $\mu\text{m}$ ). No expensive machining or preparation is required before mounting. Downtime is reduced since installation only takes a few minutes.

While installation is simple, it must be done with care in order to assure proper results. An installation tool is packaged with every sleeve.

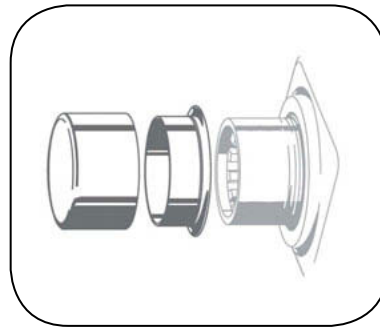
Ask your SKF sales representative for more information about SKF SPEEDI-SLEEVE, including SKF SPEEDI-SLEEVE Gold for extra abrasive, high-contamination environments and recommended when combined with a fluororubber material.



## Major steps for installing a new SKF SPEEDI-SLEEVE.



Clean and measure the diameter of the worn shaft and mark the area where the sleeve will cover the scored portion of the shaft.



Place SKF SPEEDI-SLEEVE on to the shaft and then place special installation tool over the sleeve.



Tap installation tool with mallet until sleeve is seated on shaft over the marked area. Remove installation tool.\*

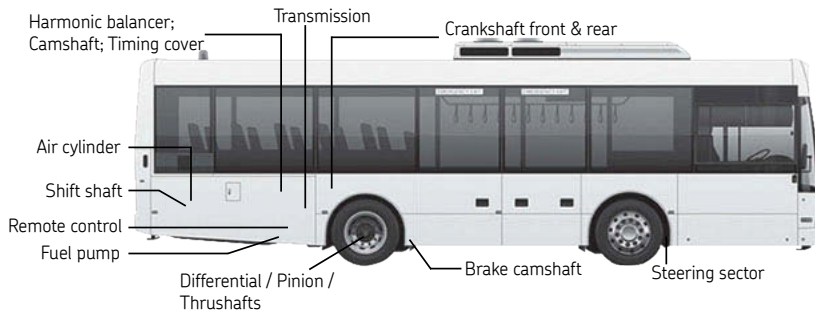
\* Note: In certain applications, the flange will need to be removed. Please check instructions that are included with each SPEEDI-SLEEVE or SPEEDI-SLEEVE Gold to avoid damage.

## Applications

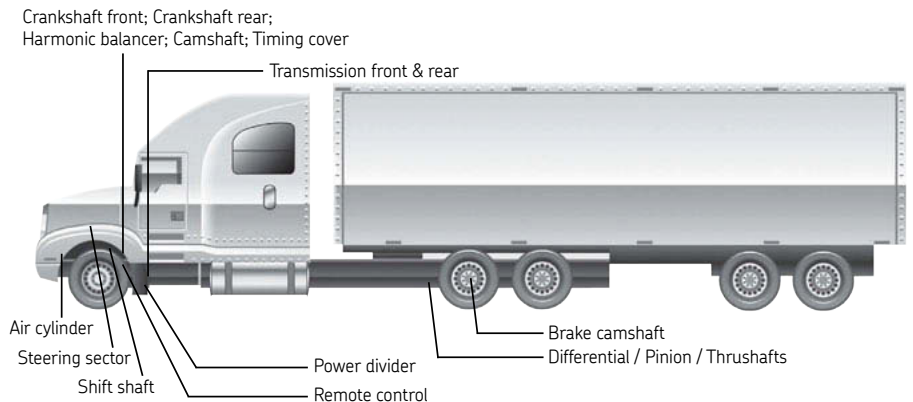
The SKF SPEEDI-SLEEVE can be used on most worn shafts. The illustrations shown here suggest just a few of the most popular applications.



- Pinion differential
- Transfer case input & output shaft (AWD)
- Transmission front & rear / Transaxle output shaft
- Shift shaft
- Transmission front pump
- Crankshaft front & rear; Harmonic balancer; Camshaft; Timing cover



- Harmonic balancer; Camshaft; Timing cover
- Transmission
- Crankshaft front & rear
- Air cylinder
- Shift shaft
- Remote control
- Fuel pump
- Differential / Pinion / Thrushafts
- Brake camshaft
- Steering sector



- Crankshaft front; Crankshaft rear; Harmonic balancer; Camshaft; Timing cover
- Transmission front & rear
- Air cylinder
- Steering sector
- Shift shaft
- Power divider
- Remote control
- Brake camshaft
- Differential / Pinion / Thrushafts

# SPEEDI-SLEEVE installation instructions

## From scored to restored in a few minutes

Although installation is simple, it should be done carefully to achieve the best results.

Before starting, the sealing zone on the shaft should be carefully cleaned and any burrs or rough spots should be filed down and polished. Deep wear grooves, scratches or very rough surfaces should be treated with a suitable powdered metal epoxy filler. The sleeve must be positioned on the shaft before the filler has hardened.

It should also be noted that although SPEEDI-SLEEVES can be easily installed within minutes on most shafts, **they should not be placed over splines or keyways etc. on the shaft.** As the thin-walled sleeve has an interference fit, any disturbances on the shaft surface may create a similar pattern on the sleeve surface and the seal will leak.

### Choosing the right size

To determine the appropriate sleeve size it is first necessary to clean the shaft carefully. The diameter of an undamaged section of the seal counterface should then be measured in at least three different planes. The arithmetical mean of these measurements is used to choose a SPEEDI-SLEEVE. If the value lies within the permissible range shown in the product table for the shaft diameter then the SPEEDI-SLEEVE will have an adequately tight fit on the shaft. The sleeve cannot turn on the shaft and no adhesive is required.

If no suitable sleeve is listed in the product table, then it will be necessary to rework the shaft to an appropriate dimension. This will also mean that a new size of seal will be required. If production quantities are viable, SKF will also make tailored sleeves.

### SKF SPEEDI-SLEEVE installation

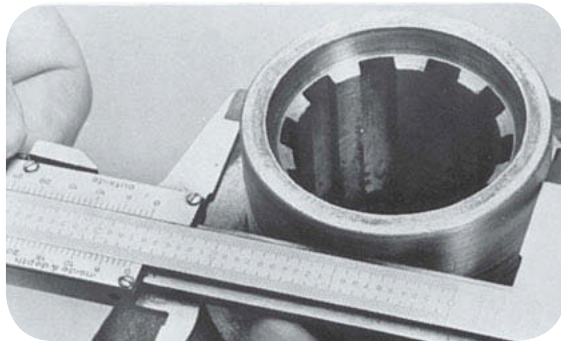
*Note: If you can catch your fingernail in a seal wear track or shaft groove, a repair sleeve should be installed to prevent leakage.*

1. Clean the shaft where the seal contacts the shaft. File down and polish any burrs or rough spots.
2. Measure the diameter where the sleeve will be positioned on an unworn portion of the shaft. Measure in three positions and average the readings (to insure the shaft is within recommended specifications). If the average diameter is within the range for a given sleeve size, there is sufficient press-fit built into the sleeve to prevent it from sliding or spinning without the need for cement adhesive.
3. Determine how far back the sleeve must be positioned to cover the old seal wear track. Measure to the exact point, or mark directly on the surface. The sleeve must be placed over the worn area, not just bottomed or left flush with the end of the shaft.
4. Shallow wear grooves do not require filling. Optionally, a light layer of non-hardening sealant can be applied to the inner surface of the sleeve. Clear away sealant that migrates to the outer sleeve surface.
5. If the shaft is deeply scored, (see note above) fill the groove with powdered metal epoxy type filler.\* Install the sleeve before the filler hardens, allowing the sleeve to "wipe" off any excess filler. Clean away any residue and check that no filler is deposited on the sleeve O.D. surface.

(continued next page)



# SPEEDI-SLEEVE installation instructions



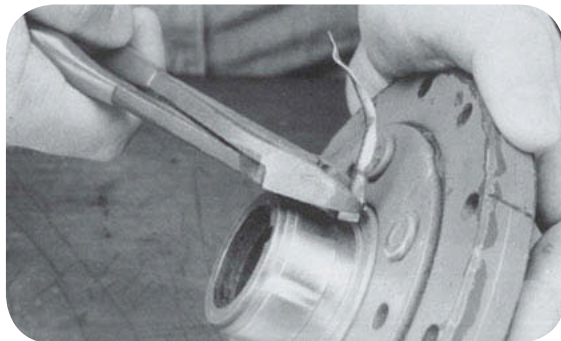
2. Measure shaft diameter in three places.



6. Place installation tool over SPEEDI-SLEEVE.



7. Tap tool to install Sleeve over shaft.



8. Pry flange off installed SPEEDI-SLEEVE.

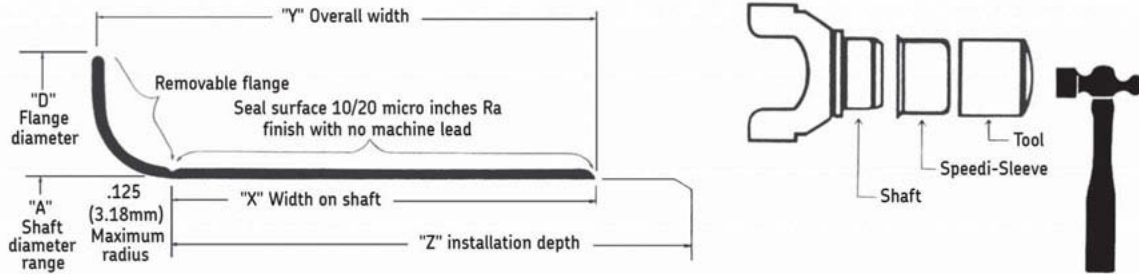
6. Place installation tool over the sleeve. The flange end of the sleeve goes on the shaft first.
7. Gently tap the center of the tool until the sleeve covers the seal worn surface. If the installation tool supplied with the sleeve is too short, a length of pipe or tubing with a squared-off, burr-free end can be substituted. Use care not to scratch the precision ground sleeve O.D.
8. Leave the flange intact unless clearance is required. If the flange is to be removed, one pre-cut of the flange perpendicular to the tear-off groove will aid in removal. Use heavy-duty side cutters or metal shears. Caution – cut only into the tear-off groove, not on to the finished sleeve surface. After positioning the sleeve, use standard pliers and flex the flange back and forth around its circumference and along the shaft axis. The flange will break loose along tear-off groove. Alternately, pry the flange away from the seal surface and twist it into a coil but take care not to lift the end of the sleeve off the shaft or it will leave a jagged edge. Flange removal must be done with care to avoid damage to sealing surface.
9. After the sleeve is installed, check again for burrs, which could damage the seal.
10. Lubricate the sleeve with the system media when installing the seal.
11. Proceed with the seal installation.

\*Loctite "Quickmetal" (#66010) or similar works well for filling a groove and can be used as an adhesive or sealant if desired. Use of an adhesive can make the removal of the seal difficult.

## SKF SPEEDI-SLEEVE removal

A SPEEDI-SLEEVE can be dismantled in one of the following ways: by applying heat to the sleeve; by using a pair of wire cutters starting at or near the flange and applying a twisting action; by "peening" with a small hammer across the full width of the sleeve to expand it or, if accessible, by using a drift on the flange. A SPEEDI-SLEEVE cannot be reused.

# SPEEDI-SLEEVE size listing - Inches



Nominal shaft diameter	"A" Shaft diameter range		Stock number	"X" Width on shaft (Inches ±.031)	"Y" Overall width (Inches ±.031)	"D" Flange diameter (Inches ±.063)	"Z" Installation depth
	Minimum inches	Maximum inches					
0.472	0.469	0.475	<b>99049</b>	0.236	0.331	0.610	1.875
0.500	0.498	0.502	<b>99050</b>	0.250	0.344	0.610	2.000
0.551	0.547	0.551	<b>99055</b>	0.250	0.391	0.750	1.831
0.563	0.560	0.566	<b>99056</b>	0.250	0.391	0.750	1.831
0.591	0.589	0.593	<b>99059</b>	0.197	0.354	0.750	1.862
0.625	0.623	0.627	<b>99810 *</b>	0.313	0.406	0.750	2.000
0.625	0.623	0.627	<b>99062</b>	0.313	0.406	0.750	2.000
0.630	0.626	0.630	<b>99058</b>	0.313	0.438	0.718	2.000
0.669	0.667	0.671	<b>99068</b>	0.315	0.433	0.875	2.000
0.684	0.682	0.686	<b>99060</b>	0.313	0.438	0.900	2.000
0.709	0.704	0.709	<b>99082</b>	0.315	0.433	0.962	1.811
0.750	0.748	0.752	<b>99811 *</b>	0.313	0.438	0.945	2.000
0.750	0.748	0.752	<b>99076</b>	0.313	0.438	0.945	2.000
0.760	0.759	0.761	<b>99081</b>	0.313	0.438	0.938	2.000
0.781	0.780	0.784	<b>99080</b>	0.313	0.438	0.935	2.000
0.787	0.785	0.789	<b>99078</b>	0.315	0.433	0.930	2.000
0.813	0.812	0.815	<b>99083</b>	0.375	0.563	0.000	3.000
0.859	0.857	0.861	<b>99086</b>	0.250	0.375	1.155	2.000
0.866	0.861	0.866	<b>99084</b>	0.259	0.359	1.188	1.856
0.866	0.861	0.866	<b>99085</b>	0.315	0.472	1.188	1.812
0.875	0.873	0.877	<b>99812 *</b>	0.313	0.438	1.094	2.000
0.875	0.873	0.877	<b>99087</b>	0.313	0.438	1.094	2.000
0.910	0.908	0.912	<b>99860 *</b>	0.313	0.438	1.218	1.847
0.910	0.908	0.912	<b>99091</b>	0.313	0.438	1.218	1.847
0.945	0.940	0.945	<b>99092</b>	0.313	0.438	1.130	2.000
0.969	0.966	0.970	<b>99094</b>	0.313	0.438	1.130	2.000
0.969	0.966	0.970	<b>99096</b>	0.625	0.719	1.130	2.000
0.984	0.982	0.986	<b>99813 *</b>	0.313	0.433	1.300	2.000
0.984	0.982	0.986	<b>99098</b>	0.313	0.433	1.300	2.000
1.000	0.998	1.002	<b>99814 *</b>	0.313	0.438	1.219	2.000
1.000	0.998	1.002	<b>99100</b>	0.313	0.438	1.219	2.000
1.024	1.019	1.024	<b>99103</b>	0.315	0.472	1.313	1.813
1.063	1.060	1.064	<b>99815 *</b>	0.313	0.438	1.320	1.843
1.063	1.060	1.064	<b>99106</b>	0.313	0.438	1.320	1.843
1.089	1.087	1.091	<b>99108</b>	0.313	0.438	1.406	0.625
1.102	1.100	1.104	<b>99866 *</b>	0.375	0.500	1.375	1.843
1.102	1.100	1.104	<b>99111</b>	0.375	0.500	1.375	1.843
1.125	1.123	1.127	<b>99816 *</b>	0.313	0.438	1.500	0.688
1.125	1.123	1.127	<b>99112</b>	0.313	0.438	1.500	0.688

\* Indicates Speedi-Sleeve Gold product



## Passenger cars, light and medium trucks

Nominal shaft diameter	"A" Shaft diameter range		Stock number	"X"	"Y"	"D"	"Z"
	Minimum inches	Maximum inches		Width on shaft (Inches ±.031)	Overall width (Inches ±.031)	Flange diameter (Inches ±.063)	Installation depth
1.125	1.123	1.127	<b>99116</b>	0.375	0.500	1.500	0.688
1.156	1.154	1.158	<b>99865 *</b>	0.375	0.500	1.350	0.688
1.156	1.154	1.158	<b>99120</b>	0.375	0.500	1.350	0.688
1.175	1.173	1.178	<b>99122</b>	0.313	0.438	1.400	0.688
1.181	1.179	1.184	<b>99114</b>	0.315	0.433	1.400	0.688
1.188	1.185	1.190	<b>99118</b>	0.313	0.438	1.400	0.688
1.219	1.216	1.222	<b>99123</b>	0.313	0.433	1.563	0.625
1.240	1.237	1.243	<b>99141</b>	0.315	0.438	1.540	0.688
1.250	1.247	1.253	<b>99817 *</b>	0.313	0.438	1.500	0.688
1.250	1.247	1.253	<b>99871 *</b>	0.625	0.750	1.500	2.000
1.250	1.247	1.253	<b>99125</b>	0.313	0.438	1.500	0.688
1.260	1.257	1.263	<b>99128</b>	0.315	0.438	1.500	0.688
1.299	1.297	1.301	<b>99121</b>	0.591	0.709	1.594	1.000
1.313	1.310	1.316	<b>99818 *</b>	0.500	0.625	1.594	0.813
1.313	1.308	1.314	<b>99129</b>	0.250	0.375	1.600	0.813
1.313	1.310	1.316	<b>99131</b>	0.500	0.625	1.594	0.813
1.339	1.333	1.339	<b>99134</b>	0.500	0.625	1.625	0.813
1.375	1.371	1.377	<b>99819 *</b>	0.500	0.625	1.638	0.813
1.375	1.375	1.381	<b>99820 *</b>	0.512	0.630	1.638	0.813
1.375	1.371	1.377	<b>99133</b>	0.313	0.438	1.638	0.813
1.375	1.371	1.377	<b>99138</b>	0.500	0.625	1.638	0.813
1.375	1.375	1.381	<b>99139</b>	0.512	0.630	1.638	0.813
1.417	1.411	1.417	<b>99146</b>	0.512	0.669	1.781	0.984
1.438	1.432	1.438	<b>99821 *</b>	0.563	0.688	1.781	1.016
1.438	1.432	1.438	<b>99143</b>	0.563	0.688	1.781	1.016
1.438	1.435	1.441	<b>99144</b>	0.375	0.500	1.781	1.016
1.496	1.490	1.496	<b>99147</b>	0.512	0.669	1.781	0.984
1.500	1.497	1.503	<b>99822 *</b>	0.563	0.688	1.781	1.016
1.500	1.497	1.503	<b>99823 *</b>	0.375	0.500	1.781	1.016
1.500	1.497	1.503	<b>99149</b>	0.563	0.688	1.781	1.016
1.500	1.497	1.503	<b>99150</b>	0.375	0.500	1.781	1.016
1.523	1.520	1.526	<b>99152</b>	0.438	0.563	1.859	1.016
1.552	1.549	1.555	<b>99155</b>	0.438	0.563	1.859	1.016
1.563	1.559	1.565	<b>99824 *</b>	0.563	0.688	1.859	1.016
1.563	1.559	1.565	<b>99156</b>	0.563	0.688	1.859	1.016
1.569	1.566	1.572	<b>99159</b>	0.625	0.750	1.859	1.016
1.575	1.569	1.575	<b>99153</b>	0.390	0.509	1.850	1.000
1.578	1.572	1.578	<b>99825 *</b>	0.512	0.630	1.850	1.023
1.578	1.572	1.578	<b>99157</b>	0.512	0.630	1.850	1.023
1.605	1.602	1.608	<b>99160</b>	0.500	0.641	1.938	1.000
1.614	1.608	1.614	<b>99163</b>	0.500	0.625	1.938	1.016
1.625	1.622	1.628	<b>99826 *</b>	0.563	0.688	1.875	0.813
1.625	1.622	1.628	<b>99161</b>	0.313	0.438	1.875	1.016
1.625	1.622	1.628	<b>99162</b>	0.563	0.688	1.875	0.813
1.650	1.647	1.654	<b>99166</b>	0.445	0.571	2.087	0.846
1.650	1.647	1.654	<b>99169</b>	0.563	0.689	2.087	0.827
1.654	1.647	1.654	<b>99873 *</b>	0.563	0.689	2.087	0.827
1.656	1.653	1.659	<b>99165</b>	0.550	0.689	2.087	0.827
1.688	1.685	1.691	<b>99167</b>	0.313	0.438	1.906	0.875
1.688	1.684	1.690	<b>99168</b>	0.563	0.688	1.906	0.875
1.693	1.687	1.693	<b>99182</b>	0.500	0.625	1.906	0.844
1.719	1.715	1.721	<b>99171</b>	0.563	0.688	2.031	0.813
1.739	1.736	1.742	<b>99170</b>	0.375	0.500	2.063	0.813
1.750	1.747	1.753	<b>99827 *</b>	0.563	0.688	2.063	0.813

\* Indicates Speedi-Sleeve Gold product

## Passenger cars, light and medium trucks

Nominal shaft diameter	"A" Shaft diameter range		Stock number	"X" Width on shaft (Inches ±.031)	"Y" Overall width (Inches ±.031)	"D" Flange diameter (Inches ±.063)	"Z" Installation depth
	Minimum inches	Maximum inches					
1.750	1.747	1.753	<b>99828 *</b>	0.750	0.875	2.063	0.813
1.750	1.747	1.753	<b>99172</b>	0.375	0.500	2.055	0.813
1.750	1.747	1.753	<b>99174</b>	0.563	0.688	2.063	0.813
1.750	1.747	1.753	<b>99175</b>	0.750	0.875	2.063	0.813
1.750	1.747	1.753	<b>99180</b>	0.531	0.625	2.063	0.878
1.766	1.761	1.767	<b>99829 *</b>	0.563	0.688	2.063	0.813
1.766	1.761	1.767	<b>99176</b>	0.563	0.688	2.063	0.813
1.772	1.769	1.775	<b>99830 *</b>	0.551	0.669	2.087	0.812
1.772	1.769	1.775	<b>99177</b>	0.551	0.669	2.087	0.812
1.781	1.778	1.784	<b>99179</b>	0.667	0.800	2.125	1.062
1.813	1.809	1.815	<b>99831 *</b>	0.563	0.688	2.090	1.000
1.813	1.809	1.815	<b>99181</b>	0.563	0.688	2.090	1.000
1.859	1.857	1.863	<b>99185</b>	0.563	0.688	2.156	1.000
1.868	1.866	1.872	<b>99186</b>	0.889	1.025	2.188	1.000
1.875	1.872	1.878	<b>99832 *</b>	0.563	0.688	2.203	1.000
1.875	1.872	1.878	<b>99184</b>	0.375	0.516	2.203	1.050
1.875	1.872	1.878	<b>99187</b>	0.563	0.688	2.203	1.000
1.875	1.872	1.878	<b>99188</b>	0.295	0.415	2.203	0.744
1.875	1.872	1.878	<b>99190</b>	0.175	0.295	2.203	0.744
1.891	1.887	1.893	<b>99189</b>	0.551	0.668	2.205	0.984
1.912	1.909	1.915	<b>99192</b>	0.375	0.500	2.219	1.000
1.938	1.934	1.940	<b>99833 *</b>	0.563	0.688	2.219	1.000
1.938	1.934	1.940	<b>99193</b>	0.563	0.688	2.219	1.000
1.969	1.965	1.971	<b>99196</b>	0.551	0.668	2.244	0.984
1.980	1.977	1.983	<b>99198</b>	0.563	0.704	2.313	1.050
2.000	1.997	2.003	<b>99834 *</b>	0.563	0.688	2.406	1.006
2.000	1.997	2.003	<b>99835 *</b>	0.875	1.000	2.406	1.000
2.000	1.997	2.003	<b>99199</b>	0.563	0.688	2.406	1.000
2.000	1.997	2.003	<b>99200</b>	0.875	1.000	2.406	1.000
2.047	2.040	2.047	<b>99204</b>	0.500	0.625	2.469	1.359
2.063	2.057	2.063	<b>99205</b>	0.781	0.938	2.469	1.375
2.125	2.124	2.130	<b>99836 *</b>	0.781	0.938	2.422	1.375
2.125	2.123	2.128	<b>99210</b>	0.500	0.750	2.422	1.281
2.125	2.124	2.130	<b>99212</b>	0.781	0.938	2.422	1.375
2.165	2.162	2.169	<b>99863 *</b>	0.787	0.905	2.441	1.250
2.165	2.162	2.168	<b>99215</b>	0.787	0.905	2.441	1.250
2.188	2.186	2.192	<b>99218</b>	0.781	0.938	2.500	1.313
2.205	2.198	2.205	<b>99220</b>	0.500	0.625	2.531	1.313
2.230	2.227	2.233	<b>99861 *</b>	0.500	0.625	2.531	1.313
2.230	2.227	2.233	<b>99229</b>	0.500	0.625	2.531	1.313
2.230	2.227	2.233	<b>99230</b>	0.781	0.906	2.531	1.250
2.240	2.237	2.243	<b>99226</b>	0.764	0.900	2.563	1.250
2.250	2.249	2.255	<b>99837 *</b>	0.781	0.938	2.531	1.313
2.250	2.249	2.255	<b>99838 *</b>	0.313	0.438	2.531	1.313
2.250	2.249	2.255	<b>99225</b>	0.781	0.938	2.531	1.313
2.250	2.249	2.255	<b>99227</b>	0.313	0.438	2.531	1.313
2.283	2.280	2.286	<b>99219</b>	0.787	0.938	2.598	1.375
2.313	2.309	2.315	<b>99231</b>	0.781	0.938	2.688	1.375
2.328	2.327	2.333	<b>99233</b>	0.750	0.875	2.750	1.500
2.362	2.359	2.365	<b>99869 *</b>	0.787	0.905	2.785	1.375
2.362	2.359	2.365	<b>99235</b>	0.787	0.905	2.785	1.375
2.362	2.359	2.365	<b>99241</b>	0.370	0.450	2.785	1.471
2.375	2.374	2.380	<b>99839 *</b>	0.781	0.938	2.750	1.375
2.375	2.374	2.380	<b>99237</b>	0.781	0.938	2.750	1.375

\* Indicates Speedi-Sleeve Gold product

## Passenger cars, light and medium trucks

Nominal shaft diameter	"A" Shaft diameter range		Stock number	"X"	"Y"	"D"	"Z"
	Minimum inches	Maximum inches		Width on shaft (Inches ±.031)	Overall width (Inches ±.031)	Flange diameter (Inches ±.063)	Installation depth
2.375	2.372	2.378	<b>99238</b>	0.594	0.750	2.750	1.375
2.375	2.374	2.380	<b>99240</b>	0.526	0.683	2.750	1.375
2.438	2.435	2.441	<b>99242</b>	0.500	0.625	2.828	1.425
2.438	2.434	2.440	<b>99243</b>	0.781	0.938	2.828	1.393
2.441	2.434	2.441	<b>99244</b>	0.500	0.625	2.828	1.425
2.492	2.489	2.495	<b>99249</b>	0.781	0.938	2.875	1.393
2.500	2.500	2.506	<b>99840 *</b>	0.781	0.938	2.820	1.375
2.500	2.500	2.506	<b>99248</b>	0.500	0.656	2.828	1.393
2.500	2.500	2.506	<b>99250</b>	0.781	0.938	2.820	1.375
2.500	2.497	2.503	<b>99253</b>	0.555	0.650	2.820	0.890
2.516	2.510	2.516	<b>99251</b>	0.781	0.906	2.828	1.438
2.559	2.556	2.562	<b>99841 *</b>	0.787	0.905	2.850	1.375
2.559	2.556	2.562	<b>99254</b>	0.787	0.905	2.850	1.375
2.563	2.560	2.566	<b>99256</b>	0.781	0.938	2.891	1.375
2.598	2.595	2.601	<b>99259</b>	0.781	0.938	2.990	1.250
2.621	2.618	2.624	<b>99261</b>	0.781	0.938	3.047	1.375
2.625	2.625	2.631	<b>99842 *</b>	0.781	0.938	3.047	1.375
2.625	2.622	2.628	<b>99260</b>	0.500	0.625	3.047	1.375
2.625	2.625	2.631	<b>99262</b>	0.781	0.938	3.047	1.375
2.625	2.621	2.627	<b>99264</b>	0.781	0.906	3.047	1.375
2.677	2.670	2.677	<b>99266</b>	0.750	0.875	3.125	1.688
2.730	2.727	2.733	<b>99268</b>	0.781	0.906	3.125	1.313
2.743	2.740	2.746	<b>99273</b>	0.781	0.938	3.065	1.250
2.750	2.745	2.751	<b>99843 *</b>	0.781	0.938	3.125	1.250
2.750	2.750	2.756	<b>99844 *</b>	0.781	0.938	3.125	1.250
2.750	2.747	2.753	<b>99267</b>	1.438	1.625	3.075	1.625
2.750	2.750	2.756	<b>99269</b>	1.125	1.250	3.125	1.312
2.750	2.750	2.756	<b>99272</b>	0.406	0.563	3.125	1.250
2.750	2.745	2.751	<b>99274</b>	0.781	0.938	3.125	1.250
2.750	2.750	2.756	<b>99275</b>	0.781	0.938	3.125	1.250
2.756	2.753	2.759	<b>99276</b>	0.787	0.945	3.125	1.250
2.813	2.809	2.815	<b>99281</b>	0.594	0.688	3.188	1.250
2.835	2.827	2.835	<b>99870 *</b>	0.750	0.875	3.225	1.343
2.835	2.828	2.835	<b>99284</b>	0.750	0.875	3.225	1.343
2.838	2.838	2.844	<b>99845 *</b>	0.500	0.656	3.225	1.250
2.838	2.838	2.844	<b>99282</b>	0.500	0.656	3.225	1.250
2.869	2.866	2.872	<b>99286</b>	0.781	0.938	3.188	1.250
2.875	2.873	2.879	<b>99846 *</b>	0.781	0.938	3.219	1.250
2.875	2.873	2.879	<b>99287</b>	0.781	0.938	3.219	1.250
2.938	2.937	2.943	<b>99847 *</b>	0.781	0.938	3.344	1.313
2.938	2.937	2.943	<b>99290</b>	0.500	0.641	3.344	1.331
2.940	2.937	2.943	<b>99293</b>	0.781	0.938	3.344	1.313
2.953	2.950	2.956	<b>99875 *</b>	0.866	1.024	3.305	1.313
2.953	2.950	2.956	<b>99289</b>	0.594	0.690	3.273	1.083
2.953	2.950	2.956	<b>99294</b>	0.866	1.024	3.305	1.313
2.974	2.972	2.976	<b>99292</b>	0.813	1.000	3.235	1.250
2.993	2.990	2.996	<b>99291</b>	0.484	0.625	3.359	1.331
2.993	2.990	2.996	<b>99298</b>	0.563	0.688	3.359	1.375
2.993	2.990	2.996	<b>99299</b>	0.813	1.000	3.350	1.281
3.000	3.000	3.006	<b>99848 *</b>	0.813	1.000	3.235	1.281
3.000	2.997	3.003	<b>99296</b>	0.813	0.938	3.240	1.375
3.000	3.000	3.006	<b>99300</b>	0.813	1.000	3.235	1.281
3.000	3.000	3.006	<b>99303</b>	0.625	0.813	3.345	1.280
3.011	3.008	3.014	<b>99301</b>	0.500	0.625	3.355	2.000

\* Indicates Speedi-Sleeve Gold product

## Passenger cars, light and medium trucks

Nominal shaft diameter	"A" Shaft diameter range		Stock number	"X"	"Y"	"D"	"Z"
	Minimum inches	Maximum inches		Width on shaft (Inches ±.031)	Overall width (Inches ±.031)	Flange diameter (Inches ±.063)	Installation depth
3.071	3.064	3.071	<b>99306</b>	0.750	0.875	3.468	2.056
3.125	3.120	3.126	<b>99849 *</b>	0.813	1.000	3.531	2.000
3.125	3.124	3.132	<b>99307</b>	0.551	0.709	3.525	2.031
3.125	3.120	3.126	<b>99311</b>	0.688	0.813	3.531	2.000
3.125	3.120	3.126	<b>99312</b>	0.813	1.000	3.531	2.000
3.150	3.142	3.150	<b>99313</b>	0.750	0.886	3.540	1.375
3.150	3.146	3.153	<b>99315</b>	0.827	0.945	3.543	1.375
3.150	3.146	3.153	<b>99317</b>	0.433	0.591	3.543	1.375
3.228	3.225	3.231	<b>99328</b>	0.660	0.848	3.585	1.750
3.250	3.250	3.256	<b>99850 *</b>	0.595	0.719	3.575	1.375
3.250	3.250	3.256	<b>99851 *</b>	0.813	1.000	3.585	1.375
3.250	3.247	3.253	<b>99322</b>	0.813	1.000	3.594	1.375
3.250	3.250	3.256	<b>99324</b>	0.595	0.719	3.575	1.375
3.250	3.250	3.256	<b>99325</b>	0.813	1.000	3.585	1.375
3.250	3.250	3.256	<b>99326</b>	0.688	0.875	3.585	1.250
3.310	3.307	3.313	<b>99331</b>	0.813	1.000	3.688	1.375
3.342	3.337	3.347	<b>99332</b>	0.669	0.827	3.700	1.378
3.342	3.337	3.347	<b>99333</b>	0.827	0.984	3.700	1.378
3.346	3.337	3.347	<b>99872 *</b>	0.827	0.984	3.700	1.378
3.346	3.338	3.346	<b>99334</b>	0.399	0.499	3.580	1.431
3.375	3.373	3.379	<b>99337</b>	0.813	1.000	3.695	1.375
3.375	3.373	3.379	<b>99338</b>	0.375	0.500	3.688	1.410
3.438	3.435	3.441	<b>99339</b>	0.781	0.906	3.844	1.406
3.480	3.477	3.483	<b>99340</b>	0.781	0.906	3.835	1.406
3.500	3.500	3.506	<b>99852 *</b>	0.813	1.000	3.844	1.347
3.500	3.497	3.503	<b>99346</b>	0.625	0.813	3.844	1.347
3.500	3.500	3.506	<b>99347</b>	0.313	0.500	3.825	1.347
3.500	3.500	3.506	<b>99350</b>	0.813	1.000	3.844	1.347
3.504	3.501	3.507	<b>99349</b>	0.625	0.813	3.844	1.348
3.543	3.540	3.546	<b>99351</b>	0.710	0.906	4.000	1.813
3.543	3.540	3.546	<b>99352</b>	0.438	0.538	4.000	1.813
3.543	3.540	3.546	<b>99353</b>	0.526	0.667	4.000	1.750
3.543	3.540	3.546	<b>99354</b>	0.906	1.102	4.000	1.750
3.563	3.560	3.566	<b>99356</b>	0.813	1.000	3.900	1.750
3.621	3.618	3.624	<b>99360</b>	0.813	1.000	4.031	1.750
3.625	3.623	3.629	<b>99362</b>	0.813	1.000	4.031	1.750
3.625	3.623	3.629	<b>99363</b>	0.500	0.625	4.025	1.750
3.688	3.685	3.691	<b>99365</b>	0.813	0.938	4.025	1.800
3.688	3.684	3.690	<b>99368</b>	0.313	0.438	4.031	0.875
3.730	3.727	3.733	<b>99359</b>	0.469	0.594	4.016	1.800
3.730	3.727	3.733	<b>99366</b>	0.781	0.906	4.025	1.800
3.740	3.737	3.743	<b>99369</b>	0.827	0.945	4.025	1.800
3.743	3.740	3.746	<b>99364</b>	0.469	0.594	4.035	1.800
3.743	3.740	3.746	<b>99374</b>	0.344	0.500	4.031	1.800
3.749	3.746	3.752	<b>99376</b>	0.563	0.688	4.025	1.800
3.750	3.750	3.756	<b>99853 *</b>	0.688	0.875	4.020	1.800
3.753	3.750	3.756	<b>99367</b>	0.344	0.500	4.025	1.800
3.753	3.750	3.756	<b>99372</b>	0.688	0.875	4.020	1.800
3.871	3.868	3.874	<b>99386</b>	0.813	1.000	4.185	1.875
3.875	3.873	3.879	<b>99387</b>	0.813	1.000	4.219	1.875
3.938	3.935	3.941	<b>99854 *</b>	0.813	1.000	4.313	2.050
3.938	3.935	3.941	<b>99393</b>	0.813	1.000	4.313	2.050
4.000	3.998	4.006	<b>99855 *</b>	0.813	1.000	4.375	2.050
4.000	3.998	4.006	<b>99395</b>	0.600	0.725	4.375	2.050

\* Indicates Speedi-Sleeve Gold product

## Passenger cars, light and medium trucks

Nominal shaft diameter	"A" Shaft diameter range		Stock number	"X"	"Y"	"D"	"Z"
	Minimum inches	Maximum inches		Width on shaft (Inches ±.031)	Overall width (Inches ±.031)	Flange diameter (Inches ±.063)	Installation depth
4.000	3.998	4.006	<b>99399</b>	0.813	1.000	4.375	2.050
4.000	3.998	4.006	<b>99400</b>	0.650	0.775	4.375	1.375
4.000	3.998	4.006	<b>99401</b>	0.500	0.625	4.375	2.066
4.094	4.090	4.098	<b>99409</b>	0.787	0.945	4.438	1.417
4.125	4.122	4.130	<b>99412</b>	0.813	1.000	4.470	1.375
4.134	4.130	4.138	<b>99413</b>	0.787	0.913	4.470	1.378
4.188	4.183	4.191	<b>99418</b>	0.813	1.000	4.500	1.375
4.234	4.226	4.234	<b>99423</b>	0.781	0.906	4.610	1.438
4.250	4.248	4.256	<b>99424</b>	0.813	1.000	4.610	1.438
4.328	4.327	4.335	<b>99435</b>	0.509	0.650	4.921	1.250
4.331	4.322	4.331	<b>99434</b>	0.448	0.589	4.921	1.297
4.375	4.370	4.378	<b>99437</b>	0.813	1.000	4.750	1.650
4.409	4.401	4.409	<b>99438</b>	0.750	0.886	4.750	1.300
4.438	4.434	4.442	<b>99439</b>	1.000	1.142	4.813	1.313
4.500	4.496	4.504	<b>99856 *</b>	0.813	1.000	4.900	1.250
4.500	4.496	4.504	<b>99450</b>	0.813	1.000	4.850	1.250
4.528	4.523	4.531	<b>99452</b>	0.813	0.938	5.000	1.250
4.625	4.621	4.629	<b>99463</b>	1.000	1.250	5.063	1.375
4.625	4.621	4.629	<b>99465</b>	0.438	0.625	5.000	1.375
4.688	4.685	4.693	<b>99468</b>	0.813	1.000	5.063	1.375
4.724	4.720	4.728	<b>99471</b>	0.315	0.433	5.110	1.323
4.724	4.720	4.728	<b>99473</b>	0.787	0.984	5.110	1.260
4.750	4.746	4.754	<b>99475</b>	0.500	0.750	5.000	1.500
4.803	4.799	4.807	<b>99472</b>	0.787	0.945	5.177	1.260
4.843	4.839	4.847	<b>99484</b>	0.787	0.984	5.229	1.244
4.875	4.871	4.879	<b>99487</b>	0.625	0.750	5.250	1.438
4.921	4.917	4.925	<b>99490</b>	0.394	0.551	5.400	1.438
4.921	4.917	4.925	<b>99492</b>	1.024	1.260	5.400	1.438
5.000	4.998	5.006	<b>99857 *</b>	0.688	0.875	5.400	1.438
5.000	4.998	5.006	<b>99858 *</b>	0.813	1.000	5.390	1.438
5.000	4.998	5.006	<b>99498</b>	0.688	0.875	5.400	1.438
5.000	4.998	5.006	<b>99499</b>	0.813	1.000	5.390	1.438
5.000	4.998	5.006	<b>99501</b>	0.540	0.681	5.400	1.438
5.114	5.110	5.118	<b>99494</b>	0.750	0.938	5.493	1.181
5.118	5.117	5.125	<b>99874 *</b>	0.866	0.996	5.493	1.280
5.125	5.117	5.125	<b>99491</b>	0.866	0.996	5.493	1.280
5.125	5.120	5.128	<b>99513</b>	0.813	1.000	5.500	1.250
5.250	5.246	5.254	<b>99525</b>	0.813	1.000	5.560	1.250
5.311	5.307	5.315	<b>99533</b>	0.807	1.000	5.735	1.250
5.375	5.371	5.379	<b>99537</b>	0.813	1.000	5.875	1.250
5.438	5.434	5.442	<b>99548</b>	1.500	1.688	5.750	1.875
5.476	5.472	5.480	<b>99547</b>	0.563	0.750	5.900	1.234
5.500	5.498	5.506	<b>99859 *</b>	0.813	1.000	5.938	1.250
5.500	5.498	5.506	<b>99549</b>	0.813	1.000	5.938	1.250
5.500	5.498	5.506	<b>99550</b>	0.518	0.705	5.938	1.250
5.512	5.508	5.516	<b>99552</b>	0.807	1.000	5.945	1.250
5.625	5.621	5.629	<b>99560</b>	0.875	1.000	6.188	1.812
5.709	5.699	5.709	<b>99571</b>	0.750	0.875	6.100	1.812
5.734	5.726	5.734	<b>99562</b>	0.563	0.750	6.100	1.938
5.750	5.746	5.754	<b>99575</b>	0.813	1.000	6.180	1.750
5.875	5.871	5.879	<b>99862 *</b>	1.000	1.250	6.188	1.313
5.875	5.871	5.879	<b>99587</b>	1.000	1.250	6.188	1.313
5.905	5.896	5.906	<b>99595</b>	1.024	1.181	6.260	1.280
5.938	5.934	5.942	<b>99596</b>	1.000	1.125	6.375	1.875

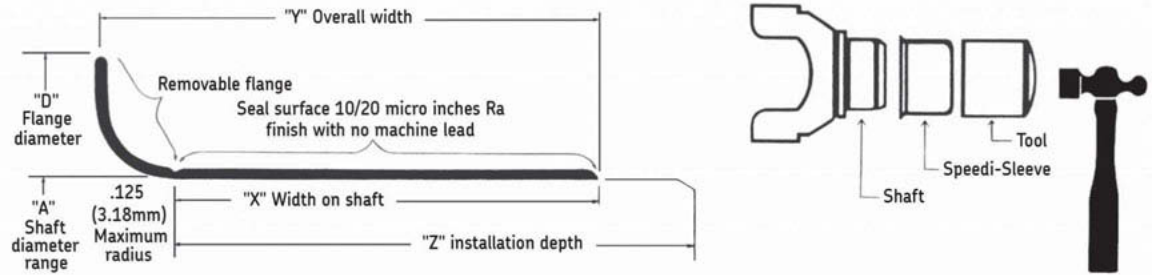
\* Indicates Speedi-Sleeve Gold product

## Passenger cars, light and medium trucks

Nominal shaft diameter	"A" Shaft diameter range		Stock number	"X"	"Y"	"D"	"Z"
	Minimum inches	Maximum inches		Width on shaft (Inches ±.031)	Overall width (Inches ±.031)	Flange diameter (Inches ±.063)	Installation depth
6.000	5.995	6.003	<b>99599</b>	1.000	1.250	6.375	1.750
6.000	5.995	6.003	<b>99601</b>	0.500	0.750	6.360	1.750
6.063	6.058	6.068	<b>99605</b>	1.024	1.181	6.375	1.299
6.097	6.092	6.102	<b>99606</b>	1.024	1.181	6.575	1.299
6.203	6.198	6.208	<b>99620</b>	0.813	1.063	6.625	1.750
6.250	6.245	6.255	<b>99625</b>	1.031	1.250	6.625	1.750
6.299	6.289	6.299	<b>99630</b>	1.000	1.250	6.750	1.375
6.500	6.495	6.505	<b>99650</b>	1.000	1.250	7.000	1.375
6.688	6.683	6.693	<b>99640</b>	1.250	1.496	7.188	1.750
6.750	6.745	6.755	<b>99675</b>	0.813	1.063	7.125	1.750
6.890	6.880	6.890	<b>99687</b>	1.102	1.260	7.362	1.378
7.000	6.995	7.005	<b>99864 *</b>	1.000	1.250	7.475	1.688
7.000	6.995	7.005	<b>99700</b>	1.000	1.250	7.475	1.688
7.087	7.077	7.087	<b>99721</b>	1.299	1.496	7.500	1.752
7.250	7.244	7.254	<b>99725</b>	1.250	1.500	7.760	2.175
7.278	7.273	7.283	<b>99726</b>	1.260	1.496	7.760	2.165
7.453	7.444	7.454	<b>99745</b>	0.813	1.000	7.860	1.250
7.500	7.495	7.505	<b>99750</b>	0.813	1.000	7.875	1.250
7.750	7.745	7.755	<b>99775</b>	1.000	1.313	8.270	1.875
7.875	7.869	7.879	<b>99787</b>	1.359	1.500	8.375	1.750
7.938	7.933	7.943	<b>99799</b>	1.000	1.250	8.375	1.750
8.000	7.995	8.005	<b>99800</b>	1.000	1.250	8.375	1.750

\* Indicates Speedi-Sleeve Gold product

# SPEEDI-SLEEVE size listing - Metric



Nominal shaft diameter	"A" Shaft diameter range		Stock number	"X" Width on shaft ±0.8 MM	"Y" Overall width ±0.8 MM	"D" Flange diameter ±1.6 MM	"Z" Installation depth MM
	Minimum MM	Maximum MM					
12.00	11.91	12.07	<b>99049</b>	6.00	8.40	15.50	47.60
12.70	12.65	12.75	<b>99050</b>	6.35	9.93	19.05	46.51
14.00	13.89	14.00	<b>99055</b>	6.35	9.93	19.05	46.51
14.30	14.22	14.38	<b>99056</b>	6.35	9.93	19.05	46.51
15.00	14.96	15.06	<b>99059</b>	5.00	8.99	19.05	47.29
15.88	15.82	15.93	<b>99810</b> *	7.95	10.31	19.05	50.80
15.88	15.83	15.93	<b>99062</b>	7.95	10.31	19.05	50.80
16.00	15.89	16.00	<b>99058</b>	7.95	11.10	18.24	50.80
17.00	16.94	17.04	<b>99068</b>	7.95	11.00	22.23	50.80
17.37	17.32	17.42	<b>99060</b>	7.95	11.13	22.86	50.80
18.00	17.87	18.00	<b>99082</b>	8.00	11.00	24.43	46.00
19.00	19.00	19.10	<b>99811</b> *	7.95	11.13	24.00	50.80
19.00	19.00	19.10	<b>99076</b>	7.95	11.13	24.00	50.80
19.30	19.27	19.33	<b>99081</b>	7.95	11.13	23.83	50.80
19.86	19.81	19.91	<b>99080</b>	7.95	11.13	23.75	50.80
20.00	19.94	20.04	<b>99078</b>	8.00	11.00	23.62	50.80
20.65	20.62	20.70	<b>99083</b>	9.52	14.30	30.18	76.20
21.82	21.77	21.87	<b>99086</b>	6.35	9.52	29.34	50.80
22.00	21.87	22.00	<b>99084</b>	6.58	9.09	30.20	47.09
22.00	21.87	22.00	<b>99085</b>	8.00	11.99	30.17	46.05
22.23	22.17	22.28	<b>99812</b> *	7.95	11.13	27.79	50.80
22.23	22.18	22.28	<b>99087</b>	7.95	11.13	27.79	50.80
23.11	23.06	23.16	<b>99091</b>	7.95	11.13	30.94	46.91
23.11	23.06	23.17	<b>99860</b> *	7.95	11.13	30.94	46.91
24.00	23.87	24.00	<b>99092</b>	7.95	11.10	28.70	50.80
24.59	24.54	24.64	<b>99094</b>	7.95	11.13	28.70	50.80
24.59	24.54	24.64	<b>99096</b>	15.88	18.26	28.70	50.80
25.00	24.94	25.04	<b>99813</b> *	7.95	11.00	33.02	50.80
25.00	24.94	25.04	<b>99098</b>	7.95	11.00	33.02	50.80
25.40	25.35	25.45	<b>99814</b> *	7.95	11.13	30.96	50.80
25.40	25.35	25.45	<b>99100</b>	7.95	11.13	30.96	50.80
26.00	25.88	26.01	<b>99103</b>	8.00	11.99	33.35	46.05
27.00	26.92	27.03	<b>99815</b> *	7.95	11.13	33.53	46.81
27.00	26.92	27.02	<b>99106</b>	7.95	11.13	33.53	46.81
27.66	27.61	27.71	<b>99108</b>	7.95	11.13	35.71	15.88
28.00	27.94	28.04	<b>99866</b> *	9.52	12.70	34.92	46.81
28.00	27.94	28.04	<b>99111</b>	9.52	12.70	34.92	46.81
28.58	28.52	28.63	<b>99816</b> *	7.95	11.13	38.10	17.48
28.58	28.53	28.63	<b>99112</b>	7.95	11.13	38.10	17.48

\* Indicates Speedi-Sleeve Gold product

## Passenger cars, light and medium trucks

Nominal shaft diameter	"A" Shaft diameter range		Stock number	"X"	"Y"	"D"	"Z"
	Minimum MM	Maximum MM		Width on shaft ±0.8 MM	Overall width ±0.8 MM	Flange diameter ±1.6 MM	Installation depth MM
28.58	28.53	28.63	<b>99116</b>	9.52	12.70	38.10	17.48
29.36	29.31	29.41	<b>99120</b>	9.52	12.70	34.29	17.48
29.36	29.31	29.41	<b>99865 *</b>	9.52	12.70	34.29	17.48
29.85	29.80	29.93	<b>99122</b>	7.95	11.13	35.56	17.48
30.00	29.95	30.08	<b>99114</b>	8.00	11.00	35.56	17.48
30.15	30.10	30.23	<b>99118</b>	7.95	11.13	35.56	17.48
31.00	30.88	31.04	<b>99123</b>	7.95	11.00	39.70	15.88
31.50	31.42	31.58	<b>99141</b>	8.00	11.10	39.12	17.48
31.75	31.67	31.83	<b>99817 *</b>	7.95	11.13	38.10	17.48
31.75	31.67	31.83	<b>99871 *</b>	15.88	19.05	38.10	50.80
31.75	31.67	31.83	<b>99125</b>	7.95	11.13	38.10	17.48
32.00	31.92	32.08	<b>99128</b>	8.00	11.13	38.10	17.48
33.00	32.94	33.04	<b>99121</b>	15.01	18.00	40.49	20.65
33.30	33.22	33.38	<b>99129</b>	6.35	9.50	40.64	20.65
33.35	33.27	33.43	<b>99818 *</b>	12.70	15.90	40.49	20.65
33.35	33.27	33.43	<b>99131</b>	12.70	15.88	40.49	20.65
34.00	33.86	34.01	<b>99134</b>	12.70	15.90	41.28	20.70
34.90	34.82	34.98	<b>99133</b>	7.95	11.13	41.60	20.65
34.90	34.82	34.98	<b>99138</b>	12.70	15.88	41.60	20.65
34.92	34.82	34.98	<b>99819 *</b>	12.70	15.88	41.60	20.65
35.00	34.92	35.08	<b>99820 *</b>	13.01	16.00	41.60	20.65
35.00	34.92	35.08	<b>99139</b>	13.01	16.00	41.60	20.65
36.00	35.85	36.00	<b>99146</b>	13.01	16.99	45.24	24.99
36.45	36.37	36.53	<b>99143</b>	14.30	17.48	45.24	25.81
36.53	36.37	36.53	<b>99821 *</b>	14.30	17.48	45.24	25.81
36.53	36.45	36.61	<b>99144</b>	9.52	12.70	45.24	25.81
38.00	37.85	38.00	<b>99147</b>	13.01	16.99	45.24	24.99
38.10	38.02	38.18	<b>99822 *</b>	14.30	17.48	45.24	25.81
38.10	38.02	38.18	<b>99823 *</b>	9.52	12.70	45.24	25.81
38.10	38.02	38.18	<b>99149</b>	14.30	17.48	45.24	25.81
38.10	38.02	38.18	<b>99150</b>	9.52	12.70	45.24	25.81
38.68	38.60	38.76	<b>99152</b>	11.13	14.30	47.22	25.81
39.42	39.34	39.50	<b>99155</b>	11.13	14.30	47.22	25.81
39.67	39.59	39.75	<b>99156</b>	14.30	17.48	47.22	25.81
39.70	39.60	39.75	<b>99824 *</b>	14.30	17.48	47.22	25.81
39.85	39.77	39.93	<b>99159</b>	15.88	19.05	47.22	25.81
40.00	39.93	40.08	<b>99825 *</b>	13.01	16.00	46.99	25.98
40.00	39.84	40.00	<b>99153</b>	9.91	12.93	46.99	25.40
40.00	39.93	40.09	<b>99157</b>	13.01	16.00	46.99	25.98
40.77	40.69	40.85	<b>99160</b>	12.70	16.28	49.22	25.40
41.00	40.84	41.00	<b>99163</b>	12.70	15.88	49.20	25.81
41.28	41.20	41.35	<b>99826 *</b>	14.30	17.48	47.63	20.65
41.28	41.20	41.36	<b>99161</b>	7.95	11.13	47.63	25.81
41.28	41.20	41.36	<b>99162</b>	14.30	17.48	47.63	20.65
42.00	41.84	42.00	<b>99873 *</b>	14.00	18.00	53.01	21.01
42.00	41.84	42.00	<b>99166</b>	11.30	14.50	53.01	21.49
42.00	41.84	42.00	<b>99169</b>	14.30	17.50	53.01	21.01
42.06	41.98	42.14	<b>99165</b>	13.97	17.50	53.01	21.01
42.85	42.78	42.93	<b>99168</b>	14.30	17.48	48.41	22.23
42.88	42.80	42.96	<b>99167</b>	7.95	11.13	48.41	22.23
43.00	42.84	43.00	<b>99182</b>	12.70	15.88	48.41	21.41
43.64	43.56	43.72	<b>99171</b>	14.30	17.48	51.59	20.65
44.17	44.09	44.25	<b>99170</b>	9.52	12.70	52.40	20.65
44.45	44.37	44.53	<b>99827 *</b>	14.30	17.48	52.40	20.65

\* Indicates Speedi-Sleeve Gold product



## Passenger cars, light and medium trucks

Nominal shaft diameter	"A" Shaft diameter range		Stock number	"X"	"Y"	"D"	"Z"
	Minimum MM	Maximum MM		Width on shaft ±0.8 MM	Overall width ±0.8 MM	Flange diameter ±1.6 MM	Installation depth MM
44.45	44.37	44.53	<b>99828</b> *	19.05	22.23	52.40	20.65
44.45	44.37	44.53	<b>99172</b>	9.52	12.70	52.20	20.65
44.45	44.37	44.53	<b>99174</b>	14.30	17.48	52.40	20.65
44.45	44.37	44.53	<b>99175</b>	19.05	22.23	52.40	20.65
44.45	44.37	44.53	<b>99180</b>	13.49	15.88	52.40	22.23
44.81	44.73	44.89	<b>99176</b>	13.99	16.99	53.01	20.65
44.86	44.73	44.88	<b>99829</b> *	14.30	17.48	52.40	20.65
45.00	44.93	45.08	<b>99830</b> *	16.87	20.32	53.97	26.98
45.00	44.93	45.09	<b>99177</b>	13.99	16.99	53.01	20.63
45.24	45.16	45.32	<b>99179</b>	14.30	17.48	53.09	25.40
46.05	45.95	46.10	<b>99831</b> *	14.30	17.48	54.76	25.40
46.05	45.94	46.10	<b>99181</b>	14.30	17.48	53.09	25.40
47.24	47.16	47.32	<b>99185</b>	22.58	17.48	55.58	25.40
47.45	47.39	47.55	<b>99186</b>	22.58	26.03	55.95	25.40
47.63	47.55	47.70	<b>99832</b> *	14.30	17.48	55.96	25.40
47.63	47.55	47.71	<b>99184</b>	9.53	13.11	55.96	26.67
47.63	47.55	47.71	<b>99187</b>	14.30	17.48	55.96	25.40
47.63	47.55	47.71	<b>99188</b>	7.49	10.54	55.96	18.90
47.63	47.55	47.71	<b>99190</b>	4.45	7.49	55.96	18.90
48.00	47.93	48.09	<b>99189</b>	14.00	16.97	56.01	24.99
48.56	48.48	48.64	<b>99192</b>	9.53	12.70	56.36	25.40
49.20	49.12	49.28	<b>99193</b>	14.30	17.48	56.36	25.40
49.22	49.12	49.28	<b>99833</b> *	14.30	17.48	56.36	25.40
50.00	49.91	50.07	<b>99196</b>	14.00	17.00	57.00	24.99
50.30	50.21	50.37	<b>99198</b>	14.30	17.88	58.75	26.67
50.80	50.72	50.88	<b>99834</b> *	14.30	17.48	61.11	25.40
50.80	50.72	50.88	<b>99835</b> *	22.23	25.40	61.11	25.40
50.80	50.72	50.88	<b>99199</b>	14.30	17.48	61.11	25.40
50.80	50.72	50.88	<b>99200</b>	22.23	25.40	61.11	25.40
52.00	51.81	52.00	<b>99204</b>	12.70	15.88	62.71	34.52
52.32	52.24	52.40	<b>99205</b>	19.84	23.83	62.71	34.93
54.00	53.95	54.10	<b>99836</b> *	19.84	23.83	61.52	34.92
54.00	53.92	54.06	<b>99210</b>	12.70	19.05	61.52	32.54
54.00	53.95	54.11	<b>99212</b>	19.84	23.83	61.52	34.93
54.99	54.92	55.09	<b>99863</b> *	19.99	22.99	62.00	31.75
55.00	54.91	55.07	<b>99215</b>	19.99	22.99	62.00	31.75
55.60	55.52	55.68	<b>99218</b>	19.84	23.83	63.50	33.35
56.00	55.81	56.00	<b>99220</b>	12.70	15.88	64.29	33.35
56.64	56.56	56.72	<b>99229</b>	12.70	15.88	64.29	33.35
56.64	56.56	56.72	<b>99230</b>	19.84	23.01	64.29	31.75
56.64	56.57	56.72	<b>99861</b> *	12.70	15.88	64.29	33.35
56.90	56.82	56.98	<b>99226</b>	19.41	22.86	65.10	31.75
57.15	57.13	57.28	<b>99837</b> *	19.84	23.83	64.29	33.35
57.15	57.13	57.28	<b>99838</b> *	7.95	11.13	64.29	33.35
57.20	57.12	57.28	<b>99225</b>	19.84	23.83	64.29	33.35
57.20	57.12	57.28	<b>99227</b>	7.95	11.13	64.29	33.35
58.00	57.91	58.06	<b>99219</b>	19.84	23.83	65.99	34.92
58.72	58.64	58.80	<b>99231</b>	19.84	23.83	68.28	34.93
59.18	59.10	59.26	<b>99233</b>	19.05	22.23	69.85	38.10
60.00	59.91	60.07	<b>99869</b> *	20.00	23.00	70.74	34.93
60.00	59.91	60.07	<b>99235</b>	20.00	23.00	70.74	34.93
60.00	59.92	60.08	<b>99241</b>	9.40	11.43	70.74	37.36
60.33	60.30	60.45	<b>99839</b> *	19.84	23.83	69.85	34.92
60.33	60.25	60.41	<b>99238</b>	15.09	19.05	69.85	34.93

\* Indicates Speedi-Sleeve Gold product

## Passenger cars, light and medium trucks

Nominal shaft diameter	"A" Shaft diameter range		Stock number	"X"	"Y"	"D"	"Z"
	Minimum MM	Maximum MM		Width on shaft ±0.8 MM	Overall width ±0.8 MM	Flange diameter ±1.6 MM	Installation depth MM
60.38	60.30	60.46	<b>99237</b>	19.84	23.83	69.85	34.93
60.38	60.30	60.46	<b>99240</b>	13.36	17.35	69.85	34.93
61.90	61.82	61.98	<b>99243</b>	19.84	23.83	71.83	35.38
62.00	61.85	62.01	<b>99242</b>	12.70	15.88	71.83	36.20
62.00	61.81	62.00	<b>99244</b>	12.70	15.88	71.83	36.20
63.30	63.22	63.38	<b>99249</b>	19.84	23.83	73.03	35.38
63.50	63.50	63.65	<b>99840 *</b>	19.84	23.83	71.63	34.92
63.50	63.50	63.66	<b>99248</b>	12.70	16.66	71.83	35.38
63.50	63.50	63.66	<b>99250</b>	19.84	23.83	71.63	34.93
63.50	63.42	63.58	<b>99253</b>	14.10	16.51	71.63	22.61
63.83	63.75	63.91	<b>99251</b>	19.84	23.01	71.83	36.53
65.00	64.92	65.07	<b>99841 *</b>	20.00	23.00	72.39	34.92
65.00	64.92	65.08	<b>99254</b>	19.99	22.99	72.39	34.93
65.10	65.02	65.18	<b>99256</b>	19.84	23.83	73.43	34.93
66.00	65.91	66.07	<b>99259</b>	19.84	23.83	75.95	31.75
66.57	66.49	66.65	<b>99261</b>	19.84	23.83	77.39	34.93
66.65	66.57	66.73	<b>99264</b>	19.84	23.01	77.39	34.93
66.68	66.68	66.83	<b>99842 *</b>	19.84	23.83	77.39	34.92
66.68	66.60	66.76	<b>99260</b>	12.70	15.88	77.39	34.93
66.75	66.67	66.83	<b>99262</b>	19.84	23.83	77.39	34.93
68.00	67.81	68.00	<b>99266</b>	19.05	22.23	79.38	42.88
69.34	69.26	69.42	<b>99268</b>	19.84	23.01	79.38	33.35
69.67	69.59	69.75	<b>99273</b>	19.84	23.83	77.85	31.75
69.80	69.72	69.88	<b>99274</b>	19.84	23.83	79.38	31.75
69.85	69.72	69.88	<b>99843 *</b>	19.84	23.83	79.38	31.75
69.85	69.77	69.93	<b>99267</b>	36.53	41.28	78.11	41.28
70.00	69.85	70.00	<b>99844 *</b>	19.84	23.83	79.38	31.75
70.00	69.85	70.01	<b>99269</b>	28.58	31.75	79.38	33.32
70.00	69.85	70.01	<b>99272</b>	10.31	14.30	79.38	31.75
70.00	69.85	70.01	<b>99275</b>	19.84	23.83	79.38	31.75
70.00	69.92	70.08	<b>99276</b>	19.99	24.00	79.38	31.75
71.42	71.34	71.50	<b>99281</b>	15.09	17.48	80.98	31.75
72.00	71.81	72.01	<b>99870 *</b>	19.05	22.23	81.92	34.11
72.00	71.81	72.00	<b>99284</b>	19.05	22.23	81.92	34.11
72.08	72.08	72.24	<b>99845 *</b>	12.70	16.66	81.92	31.75
72.16	72.08	72.24	<b>99282</b>	12.70	16.66	81.92	31.75
72.87	72.79	72.95	<b>99286</b>	19.84	23.83	80.98	31.75
73.00	72.97	73.13	<b>99846 *</b>	19.84	23.83	81.76	31.75
73.00	72.97	73.13	<b>99287</b>	19.84	23.83	81.76	31.75
74.63	74.60	74.75	<b>99847 *</b>	19.84	23.83	84.94	33.35
74.68	74.60	74.76	<b>99290</b>	12.70	16.28	84.94	33.81
74.68	74.60	74.75	<b>99293</b>	19.84	23.83	84.94	33.35
75.00	74.93	75.09	<b>99875 *</b>	22.00	26.01	83.95	33.35
75.00	74.93	75.09	<b>99289</b>	15.09	17.53	83.13	27.51
75.00	74.93	75.09	<b>99294</b>	22.00	26.01	83.95	33.35
75.54	75.49	75.59	<b>99292</b>	20.62	25.40	82.17	31.75
76.00	75.94	76.10	<b>99298</b>	14.30	17.48	85.32	34.93
76.00	75.94	76.10	<b>99299</b>	20.65	25.40	85.09	32.54
76.02	75.94	76.10	<b>99291</b>	12.29	15.88	85.32	33.81
76.20	76.20	76.35	<b>99848 *</b>	20.65	25.40	82.17	32.54
76.20	76.12	76.28	<b>99296</b>	20.65	23.83	82.30	34.93
76.28	76.20	76.36	<b>99300</b>	20.65	25.40	82.17	32.54
76.28	76.20	76.36	<b>99303</b>	15.88	20.65	84.96	32.51
76.48	76.40	76.56	<b>99301</b>	12.70	15.88	85.22	50.80

\* Indicates Speedi-Sleeve Gold product

## Passenger cars, light and medium trucks

Nominal shaft diameter	"A" Shaft diameter range		Stock number	"X"	"Y"	"D"	"Z"
	Minimum MM	Maximum MM		Width on shaft ±0.8 MM	Overall width ±0.8 MM	Flange diameter ±1.6 MM	Installation depth MM
78.00	77.81	78.00	<b>99306</b>	19.05	22.23	88.04	52.22
79.32	79.24	79.40	<b>99311</b>	17.48	20.65	89.69	50.80
79.38	79.25	79.40	<b>99849 *</b>	20.65	25.40	89.69	50.80
79.38	79.24	79.40	<b>99312</b>	20.65	25.40	89.69	50.80
79.38	79.35	79.55	<b>99307</b>	14.00	18.01	89.54	51.59
80.00	79.81	80.01	<b>99313</b>	19.05	22.50	89.92	34.93
80.00	79.91	80.08	<b>99315</b>	21.01	24.00	89.99	34.93
80.00	79.90	80.08	<b>99317</b>	11.00	15.01	89.99	34.93
82.00	81.91	82.07	<b>99328</b>	16.76	21.54	91.06	44.45
82.50	82.50	82.70	<b>99850 *</b>	15.11	18.26	90.81	34.92
82.55	82.55	82.70	<b>99851 *</b>	20.65	25.40	91.06	34.92
82.55	82.47	82.63	<b>99322</b>	20.65	25.40	91.29	34.93
82.63	82.55	82.71	<b>99324</b>	15.11	18.26	90.81	34.93
82.63	82.55	82.71	<b>99325</b>	20.65	25.40	91.06	34.93
82.63	82.55	82.71	<b>99326</b>	17.48	22.23	91.06	31.75
84.00	84.00	84.15	<b>99331</b>	20.65	25.40	93.68	34.93
85.00	84.76	85.02	<b>99872 *</b>	21.00	25.00	93.98	35.00
85.00	84.76	85.02	<b>99332</b>	16.99	21.00	93.98	35.00
85.00	84.76	85.02	<b>99333</b>	21.01	24.99	93.98	35.00
85.00	84.78	85.00	<b>99334</b>	10.13	12.67	90.93	36.35
85.75	85.67	85.83	<b>99337</b>	20.65	25.40	93.85	34.93
85.75	85.67	85.83	<b>99338</b>	9.53	12.70	93.67	35.81
87.33	87.25	87.41	<b>99339</b>	19.84	23.01	97.64	35.71
88.39	88.31	88.47	<b>99340</b>	19.84	23.01	97.41	35.71
88.98	88.82	88.98	<b>99346</b>	15.88	20.65	97.64	34.21
89.00	88.90	89.05	<b>99852 *</b>	20.65	25.40	97.64	34.21
89.00	88.90	89.06	<b>99347</b>	7.95	12.70	97.16	34.21
89.00	88.92	89.08	<b>99349</b>	15.88	20.65	97.64	34.24
89.00	88.90	89.06	<b>99350</b>	20.65	25.40	97.64	34.21
90.00	89.91	90.07	<b>99351</b>	18.03	23.01	101.60	46.05
90.00	89.91	90.07	<b>99352</b>	11.13	13.67	101.60	46.05
90.00	89.91	90.07	<b>99353</b>	13.36	16.94	101.60	44.45
90.00	89.91	90.07	<b>99354</b>	23.01	27.99	101.60	44.45
90.50	90.42	90.58	<b>99356</b>	20.65	25.40	99.06	44.45
92.00	91.89	92.05	<b>99360</b>	20.65	25.40	102.39	44.45
92.10	92.02	92.18	<b>99362</b>	20.65	25.40	102.39	44.45
92.10	92.02	92.18	<b>99363</b>	12.70	15.87	102.24	44.45
93.65	93.57	93.73	<b>99368</b>	7.95	11.13	102.39	22.23
93.68	93.60	93.76	<b>99365</b>	20.65	23.83	102.24	45.72
94.74	94.66	94.82	<b>99359</b>	11.91	15.09	102.01	45.72
94.74	94.66	94.82	<b>99366</b>	19.84	23.01	102.24	45.72
95.00	94.99	95.15	<b>99364</b>	11.91	15.09	102.49	45.72
95.00	94.92	95.08	<b>99369</b>	21.01	24.00	102.24	45.72
95.00	94.99	95.15	<b>99374</b>	8.74	12.70	102.39	45.72
95.22	95.14	95.30	<b>99376</b>	14.30	17.48	102.24	45.72
95.25	95.25	95.40	<b>99853 *</b>	17.48	22.23	102.11	45.72
95.33	95.25	95.41	<b>99367</b>	8.74	12.70	102.24	45.72
95.33	95.25	95.41	<b>99372</b>	17.48	22.23	102.11	45.72
98.32	98.24	98.40	<b>99386</b>	20.65	25.40	106.30	47.63
98.45	98.37	98.53	<b>99387</b>	20.65	25.40	107.16	47.63
100.00	99.95	100.10	<b>99854 *</b>	20.65	25.40	109.55	52.07
100.00	99.95	100.11	<b>99393</b>	20.65	25.40	109.55	52.07
101.60	101.55	101.75	<b>99855 *</b>	20.65	25.40	111.13	52.07
101.65	101.55	101.75	<b>99395</b>	15.24	18.42	111.13	52.07

\* Indicates Speedi-Sleeve Gold product

## Passenger cars, light and medium trucks

Nominal shaft diameter	"A" Shaft diameter range		Stock number	"X"	"Y"	"D"	"Z"
	Minimum MM	Maximum MM		Width on shaft ±0.8 MM	Overall width ±0.8 MM	Flange diameter ±1.6 MM	Installation depth MM
101.65	101.55	101.75	<b>99399</b>	20.65	25.40	111.13	52.07
101.65	101.55	101.75	<b>99400</b>	16.51	19.69	111.13	34.93
101.65	101.55	101.75	<b>99401</b>	12.70	15.88	111.13	52.48
104.00	103.89	104.09	<b>99409</b>	19.99	24.00	112.72	35.99
104.80	104.70	104.90	<b>99412</b>	20.65	25.40	113.54	34.93
105.00	104.90	105.10	<b>99413</b>	19.99	23.19	113.54	35.00
106.35	106.25	106.45	<b>99418</b>	20.65	25.40	114.30	34.93
107.44	107.34	107.54	<b>99423</b>	19.84	23.01	117.09	36.53
108.00	107.90	108.10	<b>99424</b>	20.65	25.40	117.09	36.53
110.00	109.78	110.00	<b>99434</b>	11.38	14.96	124.99	32.94
110.00	109.91	110.11	<b>99435</b>	12.93	16.51	124.99	31.75
111.10	111.00	111.20	<b>99437</b>	20.65	25.40	120.65	41.91
112.00	111.78	112.00	<b>99438</b>	19.05	22.50	120.70	33.02
112.72	112.63	112.83	<b>99439</b>	25.40	29.01	122.25	33.35
114.30	114.20	114.40	<b>99856 *</b>	20.65	25.40	124.46	31.75
114.30	114.20	114.40	<b>99450</b>	20.65	25.40	123.19	31.75
115.00	114.89	115.09	<b>99452</b>	20.65	23.83	127.00	31.75
117.48	117.38	117.58	<b>99463</b>	25.40	31.75	128.60	34.93
117.48	117.38	117.58	<b>99465</b>	11.13	15.88	127.00	34.93
119.00	119.00	119.20	<b>99468</b>	20.65	25.40	128.60	34.93
120.00	119.89	120.09	<b>99471</b>	8.00	11.00	129.79	33.60
120.00	119.89	120.09	<b>99473</b>	19.99	24.99	129.79	32.00
120.65	120.55	120.75	<b>99475</b>	12.70	19.05	127.00	38.10
122.00	121.90	122.10	<b>99472</b>	19.99	24.00	131.49	32.00
123.00	122.91	123.11	<b>99484</b>	19.99	24.99	132.82	31.60
123.83	123.73	123.93	<b>99487</b>	15.88	19.05	133.35	36.53
125.00	124.90	125.10	<b>99490</b>	10.00	14.00	137.16	36.53
125.00	124.89	125.09	<b>99492</b>	26.01	32.00	137.16	36.53
127.00	126.95	127.15	<b>99857 *</b>	17.48	22.23	137.16	36.53
127.00	126.95	127.15	<b>99858 *</b>	20.65	25.40	139.91	36.53
127.00	126.95	127.15	<b>99498</b>	17.48	22.23	137.16	36.50
127.00	126.95	127.15	<b>99499</b>	20.65	25.40	136.91	36.53
127.00	126.95	127.15	<b>99501</b>	13.72	17.30	137.16	36.53
130.00	129.97	130.17	<b>99874 *</b>	22.00	25.30	139.52	32.51
130.00	129.97	130.17	<b>99491</b>	22.00	25.30	139.52	32.51
130.00	129.80	130.00	<b>99494</b>	19.05	23.83	139.52	30.00
130.15	130.05	130.25	<b>99513</b>	20.65	25.40	139.70	31.75
133.35	133.25	133.45	<b>99525</b>	20.65	25.40	141.22	31.75
135.00	134.80	135.00	<b>99533</b>	20.50	25.40	145.67	31.75
136.53	136.43	136.63	<b>99537</b>	20.65	25.40	149.23	31.75
138.13	138.03	138.23	<b>99548</b>	38.10	42.88	146.05	47.63
139.00	138.99	139.19	<b>99547</b>	14.30	19.05	149.86	31.34
139.70	139.65	139.85	<b>99859 *</b>	20.65	25.40	150.82	31.75
139.75	139.65	139.85	<b>99549</b>	20.65	25.40	150.83	31.75
139.75	139.65	139.85	<b>99550</b>	13.16	17.91	150.83	31.75
140.00	139.90	140.11	<b>99552</b>	20.50	25.40	151.00	31.75
142.88	142.77	142.98	<b>99560</b>	22.23	25.40	157.18	46.02
145.00	144.75	145.00	<b>99571</b>	19.05	22.23	154.94	46.02
145.54	145.44	145.64	<b>99562</b>	14.30	19.05	154.94	49.23
146.05	145.95	146.15	<b>99575</b>	20.65	25.40	156.97	44.45
149.23	149.12	149.33	<b>99862 *</b>	25.40	31.75	157.18	33.35
149.23	149.13	149.33	<b>99587</b>	25.40	31.75	157.18	33.35
150.00	149.75	150.00	<b>99595</b>	26.01	30.00	159.00	32.51
150.83	150.73	150.93	<b>99596</b>	25.40	28.58	161.93	47.63

\* Indicates Speedi-Sleeve Gold product

## Passenger cars, light and medium trucks

Nominal shaft diameter	"A" Shaft diameter range		Stock number	"X"	"Y"	"D"	"Z"
	Minimum MM	Maximum MM		Width on shaft ±0.8 MM	Overall width ±0.8 MM	Flange diameter ±1.6 MM	Installation depth MM
152.37	152.27	152.47	<b>99599</b>	25.40	31.75	161.93	44.45
152.37	152.27	152.47	<b>99601</b>	12.70	19.05	161.54	44.45
154.00	153.87	154.13	<b>99605</b>	26.01	30.00	161.93	32.99
155.00	154.75	155.00	<b>99606</b>	26.01	30.00	167.01	32.99
157.56	157.43	157.69	<b>99620</b>	20.65	27.00	168.28	44.45
158.75	158.62	158.88	<b>99625</b>	26.19	31.75	168.28	44.45
160.00	159.74	160.00	<b>99630</b>	25.40	31.75	171.45	34.93
165.10	164.97	165.23	<b>99650</b>	25.40	31.75	177.80	34.93
170.00	169.75	170.01	<b>99640</b>	31.75	38.00	182.57	44.45
171.45	171.32	171.58	<b>99675</b>	20.65	27.00	180.98	44.45
175.00	174.75	175.01	<b>99687</b>	27.99	32.00	187.00	35.00
177.80	177.67	177.93	<b>99864 *</b>	25.40	31.75	189.87	42.88
177.80	177.67	177.93	<b>99700</b>	25.40	31.75	189.87	42.88
180.00	179.75	180.01	<b>99721</b>	32.99	38.00	190.50	44.50
184.00	183.99	184.25	<b>99725</b>	31.75	38.10	197.10	55.25
185.00	184.75	185.00	<b>99726</b>	32.00	38.00	197.10	54.99
189.20	189.07	189.33	<b>99745</b>	20.65	25.40	199.64	31.75
190.50	190.37	190.63	<b>99750</b>	20.65	25.40	200.03	31.75
196.85	196.72	196.98	<b>99775</b>	25.40	33.35	210.06	47.63
200.00	199.87	200.13	<b>99787</b>	34.52	38.10	212.73	44.45
201.63	201.50	201.76	<b>99799</b>	25.40	31.75	212.73	44.45
203.20	203.07	203.33	<b>99800</b>	25.40	31.75	212.73	44.45

\* Indicates Speedi-Sleeve Gold product

## SPEEDI-SLEEVE / grease seal kit size listing

Kit no.	Kit dimensions			Kit components	
	Shaft	Bore	Width	SPEEDI-SLEEVE number	Seal number
480050	.500	.750	.250	99050	4912
480074	.750	.999	.313	99076	7410
901	.859	1.437	.250	99086	8691
480097	1.000	1.250	.313	99100	9815
480098	1.000	1.499	.313	99100	9876
480099	1.000	1.499	.313	99100	9878
480125	1.250	2.000	.313	99125	12456
480148	1.500	2.372	.563	99149	14978
480149	1.500	2.254	.563	99149	14966
480150	1.500	2.377	.563	99149	15041
480151	1.500	2.502	.563	99149	15141
480152	1.500	2.374	.563	99149	15005
480168	1.688	2.502	.835	99168	16725
480173	1.750	2.374	.563	99174	17271
480176	1.750	2.718	.563	99174	17617
480177	1.766	2.412	.563	99176	17286
480184	1.868	2.518	.889	99186	18492
480185	1.875	2.561	.563	99187	18548
480186	1.875	2.561	.563	99187	18546
480187	1.875	2.760	.563	99187	18692
480198	2.000	2.745	.563	99199	19807
20146	1.980	3.371	.563	99198	20127
480219	2.188	3.188	.781	99218	21944
22562	2.250	3.251	.500	99229	22449
480233	2.328	3.000	.750	99233	23300
480249	2.500	3.500	.781	99250	24988
480250	2.500	3.251	.781	99250	24910
480260	2.625	3.623	.781	99262	26220
480261	2.625	4.438	.781	99262	26368
480262	2.625	4.563	.781	99262	26378
480273	2.750	3.543	.781	99274	27295
480274	2.750	3.751	.781	99274	27377
480275	2.750	3.876	.781	99274	27452
480278	2.750	4.249	.781	99274	27601
480293	2.938	3.938	.781	99293	29275
480294	2.938	4.003	.781	99293	29322
480299	3.000	3.751	.813	99300	29872
480300	3.000	4.003	.813	99300	29961
480303	3.000	4.249	.813	99300	30055
480325	3.250	4.249	.813	99325	32410
480350	3.500	4.501	.813	99350	34891
900	3.750	4.501	.688	99372	37330
480450	4.500	5.501	.813	99450	44967
218	5.000	6.126	.813	99499	49960
210	6.000	6.750	1.000	99601	60000

# Crush sleeve kits

Make	Ring gear	• Component product	Part number	SKF kit number
Chrysler	7-1/4	Nut	185085X	
Chrysler	7-1/4	Sleeve	183975	
	<b>7-1/4 Total</b>			<b>KRS111</b>
Chrysler	8-1/4	Nut	185085X	
Chrysler	8-1/4	Sleeve	183975	
	<b>8-1/4 Total</b>			<b>KRS111</b>
Chrysler	8-3/4	Nut	185085X	
Chrysler	8-3/4	Pre-Load Shim	183071	
	<b>8-3/4 Total</b>			<b>KRS112</b>
Chrysler	8-3/4	Nut	185028X	
Chrysler	8-3/4	Sleeve	183077	
	<b>8-3/4 Total</b>			<b>KRS113</b>
Chrysler	9-1/4	Nut	185085X	
Chrysler	9-1/4	Sleeve	183925	
	<b>9-1/4 Total</b>			<b>KRS114</b>
Dana	20-Jeep	Nut	185020	
Dana	20-Jeep	Sleeve	183090	
	<b>20-Jeep Total</b>			<b>KRS115</b>
Dana	28	Nut	185028X	
Dana	28	Sleeve	183028	
	<b>28 Total</b>			<b>KRS116</b>
Dana	30	Nut	185028X	
Dana	30	Pre-Load Shim	183030	
	<b>30 Total</b>			<b>KRS117</b>
Dana	35-IFS	Nut	185028X	
Dana	35-IFS	Sleeve	183975	
	<b>35-IFS Total</b>			<b>KRS118</b>
Dana	35 Jeep-R	Nut	185020	
Dana	35 Jeep-R	Sleeve	183975	
	<b>35 Jeep-R Total</b>			<b>KRS119</b>
Dana	36-ICA	Nut	185028X	
Dana	36-ICA	Pre-Load Shim	183030	
	<b>36-ICA Total</b>			<b>KRS117</b>
Dana	44-ICA	Nut	185085X	
Dana	44-ICA	Pre-Load Shim	183030	
	<b>44-ICA Total</b>			<b>KRS120</b>
Dana	44 Jeep-R	Nut	185028X	
Dana	44 Jeep-R	Pre-Load Shim	183030	
	<b>44 Jeep-R Total</b>			<b>KRS117</b>
Ford	7.5	Sleeve	183090	
Ford	7.5	Nut	181086	
	<b>7.5 Total</b>			<b>KRS121</b>
Ford	8.0	Sleeve	183080	
Ford	8.0	Nut	181086	
	<b>8.0 Total</b>			<b>KRS122</b>
Ford	8.8	Sleeve	183090	
Ford	8.8	Nut	181086	
	<b>8.8 Total</b>			<b>KRS121</b>

(Continued)

• Individual components not sold separately, for OE reference only.

## Passenger cars, light and medium trucks

Make	Ring gear	• Component product	Part number	SKF kit number
Ford	9.0	Sleeve	183090	
Ford	9.0	Nut	181086	
	<b>9.0 Total</b>			<b>KRS121</b>
GM	7.25- IFS	Nut	185085	
GM	7.25- IFS	Sleeve	183072	
	<b>7.25- IFS Total</b>			<b>KRS123</b>
GM	7.5	Nut	185085	
GM	7.5	Sleeve	183075	
	<b>7.5 Total</b>			<b>KRS124</b>
GM	8.2	Nut	181087	
GM	8.2	Sleeve	183075	
	<b>8.2 Total</b>			<b>KRS125</b>
GM	8.25	Nut	181087	
GM	8.25	Sleeve	183075	
	<b>8.25 Total</b>			<b>KRS125</b>
GM	8.5BP	Nut	181087	
GM	8.5BP	Sleeve	183075	
	<b>8.5BP Total</b>			<b>KRS125</b>
GM	8.5	Nut	185085	
GM	8.5	Sleeve	183085	
	<b>8.5 Total</b>			<b>KRS126</b>
GM	8.875- Car	Nut	181087	
GM	8.875- Car	Sleeve	183012	
	<b>8.875- Car Total</b>			<b>KRS127</b>
GM	8.875- Trk.	Nut	181087	
GM	8.875- Trk.	Sleeve	183112	
	<b>8.875- Trk. Total</b>			<b>KRS128</b>
GM	9.25- IFS	Nut	185085	
GM	9.25- IFS	Sleeve	183085	
	<b>9.25- IFS Total</b>			<b>KRS129</b>
GM	9.25- R	Nut	185085	
GM	9.25- R	Sleeve	183035	
	<b>9.25- R Total</b>			<b>KRS129</b>
GM	Dana 36 Corvette	Nut	181087	
GM	Dana 36 Corvette	Sleeve	183031	
	<b>Dana 36 Corvette Total</b>			<b>KRS130</b>
GMOlds	0 Axle	Nut	185085	
GMOlds	0 Axle	Pre-Load Shim	183075A	
	<b>0 Axle Total</b>			<b>KRS131</b>
Toyota	7.8- IFS	Nut	181038	
Toyota	7.8- IFS	Pre-Load Shim	183079	
	<b>7.8- IFS Total</b>			<b>KRS132</b>
Toyota	7.8	Nut	181038	
Toyota	7.8	Sleeve	183078	
	<b>7.8 Total</b>			<b>KRS133</b>
Toyota	8.0	Nut	181038	
Toyota	8.0	Sleeve	183078	
	<b>8.0 Total</b>			<b>KRS133</b>

• Individual components not sold separately, for OE reference only.



**NOTES**

## Differential kit contents—Light Duty

## SDK300

APPLICATION	DESCRIPTION	PART NUMBER	QUANTITY
Differential Left/Right Hand .....	Tapered Roller Bearing (Cup) .....	BR25520 .....	2
Differential Left/Right Hand .....	Tapered Roller Bearing (Cone) .....	BR25590 .....	2
Pinion.....	Seal.....	18912.....	1
	<i>Speedi-Sleeve</i> .....	■ 99187	
Pinion Front Inner.....	Tapered Roller Bearing (Cup) .....	HM803110.....	1
Pinion Front Inner.....	Tapered Roller Bearing (Cone) .....	HM803149.....	1
Pinion Front Outer.....	Tapered Roller Bearing (Cup) .....	HM89410 .....	1
Pinion Front Outer.....	Tapered Roller Bearing (Cone) .....	HM89443 .....	1
Misc.....	.5 ml Thread Locker.....	□ TL1 .....	1
Misc.....	3 oz Silicone Blue .....	□ Sealant .....	1
Misc.....	Brush.....	□ BRUSH1 .....	1
Misc.....	Gear Marking Compound.....	□ 35V05 .....	1
Misc.....	Pinion Nut.....	□ PN8-F .....	1

## SDK301

APPLICATION	DESCRIPTION	PART NUMBER	QUANTITY
Differential Left/Right Hand .....	Tapered Roller Bearing (Cup) .....	LM104912.....	2
Differential Left/Right Hand .....	Tapered Roller Bearing (Cone) .....	LM104949.....	2
Pinion.....	Seal.....	18708.....	1
	<i>Speedi-Sleeve</i> .....	■ 99187	
Pinion Front Inner.....	Tapered Roller Bearing (Cup) .....	M804010.....	1
Pinion Front Inner.....	Tapered Roller Bearing (Cone) .....	M804049.....	1
Pinion Front Outer.....	Tapered Roller Bearing (Cup) .....	M88010 .....	1
Pinion Front Outer.....	Tapered Roller Bearing (Cone) .....	M88048 .....	1
Misc.....	Crush Sleeve.....	KRS113 .....	1
Misc.....	.5 ml Thread Locker.....	□ TL1 .....	1
Misc.....	3 oz Silicone Blue .....	□ Sealant .....	1
Misc.....	Brush.....	□ BRUSH1 .....	1
Misc.....	Gear Marking Compound.....	□ 35V05 .....	1
Misc.....	Pinion Nut.....	□ PN8-F .....	1

## SDK302

APPLICATION	DESCRIPTION	PART NUMBER	QUANTITY
Differential Left/Right Hand .....	Tapered Roller Bearing (Cup) .....	LM501310.....	2
Differential Left/Right Hand .....	Tapered Roller Bearing (Cone) .....	LM501349.....	2
Pinion.....	Seal.....	16805.....	1
	<i>Speedi-Sleeve</i> .....	■ 99168	
Pinion Front Inner.....	Tapered Roller Bearing (Cup) .....	HM88610 .....	1
Pinion Front Inner.....	Tapered Roller Bearing (Cone) .....	HM88649 .....	1
Pinion Front Outer.....	Tapered Roller Bearing (Cup) .....	M86610 .....	1
Pinion Front Outer.....	Tapered Roller Bearing (Cone) .....	M86649 .....	1
Misc.....	Crush Sleeve.....	KRS111 .....	1
Misc.....	.5 ml Thread Locker.....	□ TL1 .....	1
Misc.....	3 oz Silicone Blue .....	□ Sealant .....	1
Misc.....	Brush.....	□ BRUSH1 .....	1
Misc.....	Gear Marking Compound.....	□ 35V05 .....	1
Misc.....	Pinion Nut.....	□ PN3.....	1

■ Use Speedi-Sleeves to repair grooved shafts (Not Included)

□ Not Sold Separately

## Differential kit contents—Light Duty

## SDK303

APPLICATION	DESCRIPTION	PART NUMBER	QUANTITY
Differential Left/Right Hand .....	Tapered Roller Bearing (Cup) .....	LM603012.....	2
Differential Left/Right Hand .....	Tapered Roller Bearing (Cone) .....	LM603049.....	2
Pinion.....	Seal (1.125" Shaft).....	11111.....	1
	<i>Speedi-Sleeve</i> .....	■ 99112	
Pinion.....	Seal (1.688" Shaft).....	16805.....	1
	<i>Speedi-Sleeve</i> .....	■ 99168	
Pinion Front Inner.....	Tapered Roller Bearing (Cup) .....	M802011.....	1
Pinion Front Inner.....	Tapered Roller Bearing (Cone) .....	M802048.....	1
Pinion Front Outer .....	Tapered Roller Bearing (Cup) .....	M86610 .....	1
Pinion Front Outer .....	Tapered Roller Bearing (Cone) .....	M86649 .....	1
Misc.....	Crush Sleeve.....	KRS111.....	1
Misc.....	.5 ml Thread Locker.....	□ TL1 .....	1
Misc.....	3 oz Silicone Blue .....	□ Sealant .....	1
Misc.....	Brush.....	□ BRUSH1 .....	1
Misc.....	Gear Marking Compound.....	□ 35V05 .....	1
Misc.....	Pinion Nut.....	□ PN3.....	1

## SDK303-MK

APPLICATION	DESCRIPTION	PART NUMBER	QUANTITY
Differential Left/Right Hand .....	Tapered Roller Bearing (Cup) .....	LM603012.....	2
Differential Left/Right Hand .....	Tapered Roller Bearing (Cone) .....	LM603049.....	2
Pinion.....	Seal (1.125" Shaft).....	11111.....	1
	<i>Speedi-Sleeve</i> .....	■ 99112	
Pinion.....	Seal (1.688" Shaft).....	16805.....	1
	<i>Speedi-Sleeve</i> .....	■ 99168	
Pinion Front Inner.....	Tapered Roller Bearing (Cup) .....	M802011.....	1
Pinion Front Inner.....	Tapered Roller Bearing (Cone) .....	M802048.....	1
Pinion Front Outer .....	Tapered Roller Bearing (Cup) .....	M86610 .....	1
Pinion Front Outer .....	Tapered Roller Bearing (Cone) .....	M86649 .....	1
Misc.....	Crush Sleeve.....	KRS111.....	1
Misc.....	.5 ml Thread Locker.....	□ TL1 .....	1
Misc.....	3 oz Silicone Blue .....	□ Sealant .....	1
Misc.....	Brush.....	□ BRUSH1 .....	1
Misc.....	Gear Marking Compound.....	□ 35V05 .....	1
Misc.....	Pinion Nut.....	□ PN3.....	1
Misc.....	Ring Gear Bolt.....	□ RGB1 .....	10
Misc.....	Shim Set .....	□ SK4 .....	1

■ Use Speedi-Sleeves to repair grooved shafts (Not Included)

□ Not Sold Separately

# Differential kit contents—Light Duty

## SDK304

APPLICATION	DESCRIPTION	PART NUMBER	QUANTITY
Differential Left/Right Hand .....	Tapered Roller Bearing (Cup) .....	JLM704610 .....	2
Differential Left/Right Hand .....	Tapered Roller Bearing (Cone) .....	JLM704649 .....	2
Pinion .....	Seal .....	18708 .....	1
	<i>Speedi-Sleeve</i> .....	■ 99187	
Pinion Front Inner .....	Tapered Roller Bearing (Cup) .....	M804010 .....	1
Pinion Front Inner .....	Tapered Roller Bearing (Cone) .....	M804049 .....	1
Pinion Front Outer .....	Tapered Roller Bearing (Cup) .....	M88010 .....	1
Pinion Front Outer .....	Tapered Roller Bearing (Cone) .....	M88048 .....	1
Misc .....	Crush Sleeve .....	KRS114 .....	1
Misc .....	.5 ml Thread Locker .....	□ TL1 .....	1
Misc .....	3 oz Silicone Blue .....	□ Sealant .....	1
Misc .....	Brush .....	□ BRUSH1 .....	1
Misc .....	Gear Marking Compound .....	□ 35V05 .....	1
Misc .....	Pinion Nut .....	□ PN3 .....	1

## SDK304-MK

APPLICATION	DESCRIPTION	PART NUMBER	QUANTITY
Differential Left/Right Hand .....	Tapered Roller Bearing (Cup) .....	JLM704610 .....	2
Differential Left/Right Hand .....	Tapered Roller Bearing (Cone) .....	JLM704649 .....	2
Pinion .....	Seal .....	18708 .....	1
	<i>Speedi-Sleeve</i> .....	■ 99187	
Pinion Front Inner .....	Tapered Roller Bearing (Cup) .....	M804010 .....	1
Pinion Front Inner .....	Tapered Roller Bearing (Cone) .....	M804049 .....	1
Pinion Front Outer .....	Tapered Roller Bearing (Cup) .....	M88010 .....	1
Pinion Front Outer .....	Tapered Roller Bearing (Cone) .....	M88048 .....	1
Misc .....	Crush Sleeve .....	KRS114 .....	1
Misc .....	.5 ml Thread Locker .....	□ TL1 .....	1
Misc .....	3 oz Silicone Blue .....	□ Sealant .....	1
Misc .....	Brush .....	□ BRUSH1 .....	1
Misc .....	Gear Marking Compound .....	□ 35V05 .....	1
Misc .....	Pinion Nut .....	□ PN3 .....	1
Misc .....	Ring Gear Bolt .....	□ RGB2 .....	12
Misc .....	Shim Set .....	□ SK3 .....	1

■ Use Speedi-Sleeves to repair grooved shafts (Not Included)

□ Not Sold Separately

## Differential kit contents—Light Duty

## SDK310

APPLICATION	DESCRIPTION	PART NUMBER	QUANTITY
Differential Left/Right Hand	Tapered Roller Bearing Set	BR35	2
Pinion	Seal	18100	1
	<i>Speedi-Sleeve</i>	■ 99181	
Pinion Inner/Outer	Tapered Roller Bearing (Cup)	M86610	2
Pinion Inner/Outer	Tapered Roller Bearing (Cone)	M86649	2
Pinion Pilot	Cylindrical Roller Bearing	R1558-TAV	1
Misc.	Crush Sleeve	KRS111	1
Misc.	.5 ml Thread Locker	□ TL1	1
Misc.	3 oz Silicone Blue	□ Sealant	1
Misc.	Brush	□ BRUSH1	1
Misc.	Gear Marking Compound	□ 35V05	1
Misc.	Pinion Nut	□ PN2	1
Misc.	O-Ring	□ OR-241	1

## SDK311

APPLICATION	DESCRIPTION	PART NUMBER	QUANTITY
Differential Left/Right Hand	Tapered Roller Bearing Set	BR36	2
Pinion	Seal	18190	1
	<i>Speedi-Sleeve</i>	■ 99181	
Pinion Inner	Tapered Roller Bearing (Cup)	M802011	1
Pinion Inner	Tapered Roller Bearing (Cone)	M802048	1
Pinion Outer	Tapered Roller Bearing (Cup)	M88010	1
Pinion Outer	Tapered Roller Bearing (Cone)	M88048	1
Misc.	Crush Sleeve	KRS121	1
Misc.	.5 ml Thread Locker	□ TL1	1
Misc.	3 oz Silicone Blue	□ Sealant	1
Misc.	Brush	□ BRUSH1	1
Misc.	Gear Marking Compound	□ 35V05	1
Misc.	Pinion Nut	□ PN2	1

## SDK311-MK

APPLICATION	DESCRIPTION	PART NUMBER	QUANTITY
Differential Left/Right Hand	Tapered Roller Bearing Set	BR36	2
Pinion	Seal	18190	1
	<i>Speedi-Sleeve</i>	■ 99181	
Pinion Front Inner	Tapered Roller Bearing (Cup)	M802011	1
Pinion Front Inner	Tapered Roller Bearing (Cone)	M802048	1
Pinion Front Outer	Tapered Roller Bearing (Cup)	M88010	1
Pinion Front Outer	Tapered Roller Bearing (Cone)	M88048	1
Misc.	Crush Sleeve	KRS121	1
Misc.	.5 ml Thread Locker	□ TL1	1
Misc.	3 oz Silicone Blue	□ Sealant	1
Misc.	Brush	□ BRUSH1	1
Misc.	Gear Marking Compound	□ 35V05	1
Misc.	Pinion Nut	□ PN2	1
Misc.	Ring Gear Bolt	□ RGB3	10
Misc.	Shim Set	□ SK4	1
Misc.	Shim Set	□ SK7	1

■ Use Speedi-Sleeves to repair grooved shafts (Not Included)

□ Not Sold Separately

# Differential kit contents—Light Duty

## SDK311-J

APPLICATION	DESCRIPTION	PART NUMBER	QUANTITY
Differential Left/Right Hand .....	Tapered Roller Bearing (Cup) .....	LM603012.....	2
Differential Left/Right Hand .....	Tapered Roller Bearing (Cone) .....	LM603049.....	2
Pinion.....	Seal.....	18444.....	1
Pinion Front Inner.....	Tapered Roller Bearing (Cup) .....	M802011.....	1
Pinion Front Inner.....	Tapered Roller Bearing (Cone) .....	M802048.....	1
Pinion Front Outer.....	Tapered Roller Bearing (Cup) .....	M88010.....	1
Pinion Front Outer.....	Tapered Roller Bearing (Cone) .....	M88048.....	1
Misc.....	Crush Sleeve.....	KRS121.....	1
Misc.....	.5 ml Thread Locker.....	<input type="checkbox"/> TL1.....	1
Misc.....	3 oz Silicone Blue .....	<input type="checkbox"/> Sealant.....	1
Misc.....	Brush.....	<input type="checkbox"/> BRUSH1.....	1
Misc.....	Gear Marking Compound.....	<input type="checkbox"/> 35V05.....	1
Misc.....	Pinion Nut.....	<input type="checkbox"/> PN6.....	1

## SDK312

APPLICATION	DESCRIPTION	PART NUMBER	QUANTITY
Differential Left/Right Hand .....	Tapered Roller Bearing Set.....	BR35.....	2
Pinion.....	Seal.....	18833.....	1
	<i>Speedi-Sleeve</i> .....	■ 99181.....	
Pinion Inner/Outer.....	Tapered Roller Bearing (Cup) .....	M88010.....	2
Pinion Inner/Outer.....	Tapered Roller Bearing (Cone) .....	M88048.....	2
Pinion Pilot.....	Cylindrical Roller Bearing.....	R1535-TAV.....	1
Misc.....	Crush Sleeve.....	KRS121.....	1
Misc.....	.5 ml Thread Locker.....	<input type="checkbox"/> TL1.....	1
Misc.....	3 oz Silicone Blue .....	<input type="checkbox"/> Sealant.....	1
Misc.....	Brush.....	<input type="checkbox"/> BRUSH1.....	1
Misc.....	Gear Marking Compound.....	<input type="checkbox"/> 35V05.....	1
Misc.....	Pinion Nut.....	<input type="checkbox"/> PN2.....	1
Misc.....	O-Ring.....	<input type="checkbox"/> OR-248.....	1
Misc.....	Retaining Ring.....	<input type="checkbox"/> R1535-CLIP.....	1

■ Use Speedi-Sleeves to repair grooved shafts (Not Included)

Not Sold Separately

## Differential kit contents—Light Duty

## SDK313

APPLICATION	DESCRIPTION	PART NUMBER	QUANTITY
Differential Left/Right Hand .....	Tapered Roller Bearing (Cup) .....	LM102910.....	2
Differential Left/Right Hand .....	Tapered Roller Bearing (Cone) .....	LM102949.....	2
Pinion (1984 and Later) .....	Seal.....	18190.....	1
	<i>Speedi-Sleeve</i> .....	■ 99181	
Pinion (1983 and Earlier).....	Seal.....	18833.....	1
	<i>Speedi-Sleeve</i> .....	■ 99181	
Pinion Inner/Outer .....	Tapered Roller Bearing (Cup) .....	M88010 .....	2
Pinion Inner/Outer .....	Tapered Roller Bearing (Cone) .....	M88048 .....	2
Pinion Pilot.....	Cylindrical Roller Bearing.....	R1535-TAV.....	1
Misc.....	Crush Sleeve.....	KRS121 .....	1
Misc.....	.5 ml Thread Locker.....	□ TL1 .....	1
Misc.....	3 oz Silicone Blue .....	□ Sealant .....	1
Misc.....	Brush .....	□ BRUSH1 .....	1
Misc.....	Gear Marking Compound.....	□ 35V05 .....	1
Misc.....	Pinion Nut.....	□ PN2.....	1
Misc.....	O-Ring.....	□ OR-248.....	1
Misc.....	Retaining Ring.....	□ R1535-CLIP .....	1

## SDK313-MK

APPLICATION	DESCRIPTION	PART NUMBER	QUANTITY
Pinion (1984 and Later) .....	Seal.....	18190.....	1
	<i>Speedi-Sleeve</i> .....	■ 99181	
Pinion (1983 and Earlier).....	Seal.....	18833.....	1
	<i>Speedi-Sleeve</i> .....	■ 99181	
Pinion Inner/Outer .....	Tapered Roller Bearing Set.....	BR50.....	2
Pinion Inner/Outer .....	Tapered Roller Bearing Set.....	BR52.....	2
Pinion Pilot.....	Cylindrical Roller Bearing.....	R1535-TAV.....	1
Misc.....	Crush Sleeve.....	KRS121 .....	1
Misc.....	.5 ml Thread Locker.....	□ TL1 .....	1
Misc.....	3 oz Silicone Blue .....	□ Sealant .....	1
Misc.....	Gear Marking Compound.....	□ 35V05 .....	1
Misc.....	Brush .....	□ BRUSH1 .....	1
Misc.....	Pinion Nut.....	□ PN2.....	1
Misc.....	Ring Gear Bolt.....	□ RGB4 .....	10
Misc.....	Shim Kit.....	□ SK8.....	1
Misc.....	O-Ring.....	□ OR-248.....	1
Misc.....	Retaining Ring.....	□ R1535-CLIP .....	1

■ Use Speedi-Sleeves to repair grooved shafts (Not Included)

□ Not Sold Separately

# Differential kit contents—Light Duty

## SDK314

APPLICATION	DESCRIPTION	PART NUMBER	QUANTITY
Differential Left/Right Hand .....	Tapered Roller Bearing (Cup) .....	453-X .....	2
Differential Left/Right Hand .....	Tapered Roller Bearing (Cone) .....	BR469 .....	2
Pinion.....	Seal.....	18024.....	1
	<i>Speedi-Sleeve</i> .....	■ 99181	
Pinion Inner .....	Tapered Roller Bearing (Cup) .....	HM807010.....	1
Pinion Inner .....	Tapered Roller Bearing (Cone) .....	HM807044.....	1
Pinion Outer .....	Tapered Roller Bearing (Cup) .....	HM89411 .....	1
Pinion Outer .....	Tapered Roller Bearing (Cone) .....	HM89443 .....	1
Misc.....	Crush Sleeve.....	KRS121 .....	1
Misc.....	.5 ml Thread Locker.....	□ TL1 .....	1
Misc.....	3 oz Silicone Blue .....	□ Sealant .....	1
Misc.....	Brush .....	□ BRUSH1 .....	1
Misc.....	Gear Marking Compound.....	□ 35V05 .....	1
Misc.....	Pinion Nut.....	□ PN6.....	1

## SDK314-MK

APPLICATION	DESCRIPTION	PART NUMBER	QUANTITY
Differential Left/Right Hand .....	Tapered Roller Bearing (Cup) .....	453-X .....	2
Differential Left/Right Hand .....	Tapered Roller Bearing (Cone) .....	BR469 .....	2
Pinion.....	Seal.....	18024.....	1
	<i>Speedi-Sleeve</i> .....	■ 99181	
Pinion Inner .....	Tapered Roller Bearing (Cup) .....	HM807010.....	1
Pinion Inner .....	Tapered Roller Bearing (Cone) .....	HM807044.....	1
Pinion Outer .....	Tapered Roller Bearing (Cup) .....	HM89411 .....	1
Pinion Outer .....	Tapered Roller Bearing (Cone) .....	HM89443 .....	1
Misc.....	Crush Sleeve.....	KRS121 .....	1
Misc.....	.5 ml Thread Locker.....	□ TL1 .....	1
Misc.....	3 oz Silicone Blue .....	□ Sealant .....	1
Misc.....	Brush .....	□ BRUSH1 .....	1
Misc.....	Gear Marking Compound.....	□ 35V05 .....	1
Misc.....	Pinion Nut.....	□ PN6.....	1
Misc.....	Ring Gear Bolt.....	□ RGB6 .....	12
Misc.....	Shim Set .....	□ SK10.....	1
Misc.....	Shim Set .....	□ SK3 .....	1

■ Use Speedi-Sleeves to repair grooved shafts (Not Included)

□ Not Sold Separately



# Differential kit contents—Light Duty

## SDK315

APPLICATION	DESCRIPTION	PART NUMBER	QUANTITY
Differential Left/Right Hand .....	Tapered Roller Bearing (Cup) .....	LM501314.....	2
Differential Left/Right Hand .....	Tapered Roller Bearing (Cone) .....	LM501349.....	2
Pinion.....	Seal.....	18190.....	1
	<i>Speedi-Sleeve</i> .....	■ 99181	
Pinion Inner .....	Tapered Roller Bearing (Cup) .....	M802011.....	1
Pinion Inner .....	Tapered Roller Bearing (Cone) .....	M802048.....	1
Pinion Outer .....	Tapered Roller Bearing (Cup) .....	M88010.....	1
Pinion Outer .....	Tapered Roller Bearing (Cone) .....	M88048.....	1
Misc.....	Crush Sleeve.....	KRS121.....	1
Misc.....	.5 ml Thread Locker.....	<input type="checkbox"/> TL1.....	1
Misc.....	3 oz Silicone Blue .....	<input type="checkbox"/> Sealant.....	1
Misc.....	Brush.....	<input type="checkbox"/> BRUSH1.....	1
Misc.....	Gear Marking Compound.....	<input type="checkbox"/> 35V05.....	1
Misc.....	Pinion Nut.....	<input type="checkbox"/> PN2.....	1

## SDK316-A

APPLICATION	DESCRIPTION	PART NUMBER	QUANTITY
Pinion.....	Seal.....	18024.....	1
	<i>Speedi-Sleeve</i> .....	■ 99181	
Pinion Outer .....	Tapered Roller Bearing (Cup) .....	HM89411.....	1
Pinion Outer .....	Tapered Roller Bearing (Cone) .....	HM89443.....	1
Differential .....	Tapered Roller Bearing (Cup) .....	NP372019.....	1
Differential .....	Tapered Roller Bearing (Cone) .....	NP343847.....	1
Pinion Inner .....	Tapered Roller Bearing (Cup) .....	NP434567.....	1
Pinion Inner .....	Tapered Roller Bearing (Cone) .....	NP576375.....	1
Misc.....	Crush Sleeve.....	KRS121.....	1
Misc.....	.5 ml Thread Locker.....	<input type="checkbox"/> TL1.....	1
Misc.....	3 oz Silicone Blue .....	<input type="checkbox"/> Sealant.....	1
Misc.....	Brush.....	<input type="checkbox"/> BRUSH1.....	1
Misc.....	Gear Marking Compound.....	<input type="checkbox"/> 35V05.....	1
Misc.....	Pinion Nut.....	<input type="checkbox"/> PN6.....	1

■ Use Speedi-Sleeves to repair grooved shafts (Not Included)

Not Sold Separately

# Differential kit contents—Light Duty

## SDK316-AMK

APPLICATION	DESCRIPTION	PART NUMBER	QUANTITY
Differential	Tapered Roller Bearing (Cup)	NP372019	1
Differential	Tapered Roller Bearing (Cone)	NP343847	1
Pinion	Seal	18024	1
	<i>Speedi-Sleeve</i>	■ 99181	
Pinion Outer	Tapered Roller Bearing (Cup)	HM89411	1
Pinion Outer	Tapered Roller Bearing (Cone)	HM89443	1
Pinion Inner	Tapered Roller Bearing (Cup)	NP434567	1
Pinion Inner	Tapered Roller Bearing (Cone)	NP576375	1
Misc.	Crush Sleeve	KRS121	1
Misc.	.5 ml Thread Locker	□ TL1	1
Misc.	3 oz Silicone Blue	□ Sealant	1
Misc.	Brush	□ BRUSH1	1
Misc.	Gear Marking Compound	□ 35V05	1
Misc.	Pinion Nut	□ PN6	1
Misc.	Ring Gear Bolt	□ RGB18	12
Misc.	Shim Set	□ SK41	1
Misc.	Shim Set	□ SK42	1

## SDK317

APPLICATION	DESCRIPTION	PART NUMBER	QUANTITY
Differential Left/Right Hand	Tapered Roller Bearing (Cup)	453-X	2
Differential Left/Right Hand	Tapered Roller Bearing (Cone)	BR469	2
Pinion	Seal	18024	1
	<i>Speedi-Sleeve</i>	■ 99181	
Pinion Outer	Tapered Roller Bearing (Cup)	HM89411	1
Pinion Outer	Tapered Roller Bearing (Cone)	HM89443	1
Pinion Inner	Tapered Roller Bearing (Cup)	NP949481	1
Pinion Inner	Tapered Roller Bearing (Cone)	NP504493	1
Misc.	Crush Sleeve	KRS121	1
Misc.	.5 ml Thread Locker	□ TL1	1
Misc.	3 oz Silicone Blue	□ Sealant	1
Misc.	Brush	□ BRUSH1	1
Misc.	Gear Marking Compound	□ 35V05	1
Misc.	Pinion Nut	□ PN6	1

■ Use Speedi-Sleeves to repair grooved shafts (Not Included)

□ Not Sold Separately

## Differential kit contents—Light Duty

## SDK317-MK

APPLICATION	DESCRIPTION	PART NUMBER	QUANTITY
Differential Left/Right Hand .....	Tapered Roller Bearing (Cup) .....	453-X .....	2
Differential Left/Right Hand .....	Tapered Roller Bearing (Cone) .....	BR469 .....	2
Pinion .....	Seal .....	18024 .....	1
	<i>Speedi-Sleeve</i> .....	■ 99181 .....	
Pinion Outer .....	Tapered Roller Bearing (Cup) .....	HM89411 .....	1
Pinion Outer .....	Tapered Roller Bearing (Cone) .....	HM89443 .....	1
Pinion Inner .....	Tapered Roller Bearing (Cup) .....	NP949481 .....	1
Pinion Inner .....	Tapered Roller Bearing (Cone) .....	NP504493 .....	1
Misc .....	Crush Sleeve .....	KRS121 .....	1
Misc .....	.5 ml Thread Locker .....	<input type="checkbox"/> TL1 .....	1
Misc .....	3 oz Silicone Blue .....	<input type="checkbox"/> Sealant .....	1
Misc .....	Brush .....	<input type="checkbox"/> BRUSH1 .....	1
Misc .....	Gear Marking Compound .....	<input type="checkbox"/> 35V05 .....	1
Misc .....	Pinion Nut .....	<input type="checkbox"/> PN6 .....	1
Misc .....	Ring Gear Bolt .....	<input type="checkbox"/> RGB6 .....	12
Misc .....	Shim Set .....	<input type="checkbox"/> SK10 .....	1
Misc .....	Shim Set .....	<input type="checkbox"/> SK3 .....	1

## SDK320

APPLICATION	DESCRIPTION	PART NUMBER	QUANTITY
Differential Left/Right Hand .....	Tapered Roller Bearing (Cup) .....	LM501314 .....	2
Differential Left/Right Hand .....	Tapered Roller Bearing (Cone) .....	LM501349 .....	2
Pinion .....	Seal .....	15315 .....	1
	<i>Speedi-Sleeve</i> .....	■ 99152 .....	
Pinion Inner .....	Tapered Roller Bearing (Cup) .....	HM89210 .....	1
Pinion Inner .....	Tapered Roller Bearing (Cone) .....	HM89249 .....	1
Pinion Outer .....	Tapered Roller Bearing (Cup) .....	M86610 .....	1
Pinion Outer .....	Tapered Roller Bearing (Cone) .....	M86649 .....	1
Misc .....	Crush Sleeve .....	KRS124 .....	1
Misc .....	.5 ml Thread Locker .....	<input type="checkbox"/> TL1 .....	1
Misc .....	3 oz Silicone Blue .....	<input type="checkbox"/> Sealant .....	1
Misc .....	Brush .....	<input type="checkbox"/> BRUSH1 .....	1
Misc .....	Gear Marking Compound .....	<input type="checkbox"/> 35V05 .....	1
Misc .....	Pinion Nut .....	<input type="checkbox"/> PN3 .....	1

■ Use Speedi-Sleeves to repair grooved shafts (Not Included)

Not Sold Separately

# Differential kit contents—Light Duty

## SDK320-MK

APPLICATION	DESCRIPTION	PART NUMBER	QUANTITY
Differential Left/Right Hand .....	Tapered Roller Bearing (Cup) .....	LM501314 .....	2
Differential Left/Right Hand .....	Tapered Roller Bearing (Cone) .....	LM501349 .....	2
Pinion .....	Seal .....	15315 .....	1
	<i>Speedi-Sleeve</i> .....	■ 99152 .....	
Pinion Inner .....	Tapered Roller Bearing (Cup) .....	HM89210 .....	1
Pinion Inner .....	Tapered Roller Bearing (Cone) .....	HM89249 .....	1
Pinion Outer .....	Tapered Roller Bearing (Cup) .....	M86610 .....	1
Pinion Outer .....	Tapered Roller Bearing (Cone) .....	M86649 .....	1
Misc. ....	Crush Sleeve .....	KRS124 .....	1
Misc. ....	.5 ml Thread Locker .....	□ TL1 .....	1
Misc. ....	3 oz Silicone Blue .....	□ Sealant .....	1
Misc. ....	Brush .....	□ BRUSH1 .....	1
Misc. ....	Gear Marking Compound .....	□ 35V05 .....	1
Misc. ....	Pinion Nut .....	□ PN3 .....	1
Misc. ....	Ring Gear Bolt .....	□ RGB2 .....	10
Misc. ....	Shim Set .....	□ SK11 .....	1
Misc. ....	Shim Set .....	□ SK12 .....	1

## SDK320-A

APPLICATION	DESCRIPTION	PART NUMBER	QUANTITY
Differential .....	Tapered Roller Bearing (Cup) .....	JL69310 .....	2
Differential .....	Tapered Roller Bearing (Cone) .....	JL69349 .....	2
Pinion .....	Seal .....	15315 .....	1
	<i>Speedi-Sleeve</i> .....	■ 99152 .....	
Pinion Outer .....	Tapered Roller Bearing (Cup) .....	M86610 .....	1
Pinion Outer .....	Tapered Roller Bearing (Cone) .....	M86649 .....	1
Pinion Inner .....	Tapered Roller Bearing (Cup) .....	M88010 .....	1
Pinion Inner .....	Tapered Roller Bearing (Cone) .....	M88048-S .....	1
Misc. ....	Crush Sleeve .....	KRS123 .....	1
Misc. ....	.5 ml Thread Locker .....	□ TL1 .....	1
Misc. ....	3 oz Silicone Blue .....	□ Sealant .....	1
Misc. ....	Brush .....	□ BRUSH1 .....	1
Misc. ....	Gear Marking Compound .....	□ 35V05 .....	1
Misc. ....	Pinion Nut .....	□ PN3 .....	1

■ Use Speedi-Sleeves to repair grooved shafts (Not Included)

□ Not Sold Separately

## Differential kit contents—Light Duty

## SDK321

APPLICATION	DESCRIPTION	PART NUMBER	QUANTITY
Differential Left/Right Hand .....	Tapered Roller Bearing (Cup) .....	LM501314 .....	2
Differential Left/Right Hand .....	Tapered Roller Bearing (Cone) .....	LM501349 .....	2
Pinion (Rear Axles) .....	Seal .....	19273 .....	1
	<i>Speedi-Sleeve</i> .....	■ 99193	
Pinion (Front Axles) .....	Seal .....	19277 .....	1
	<i>Speedi-Sleeve</i> .....	■ 99193	
Pinion Inner .....	Tapered Roller Bearing (Cup) .....	M802011 .....	1
Pinion Inner .....	Tapered Roller Bearing (Cone) .....	M802048 .....	1
Pinion Outer .....	Tapered Roller Bearing (Cup) .....	M88010 .....	1
Pinion Outer .....	Tapered Roller Bearing (Cone) .....	M88048 .....	1
Misc. ....	Crush Sleeve .....	KRS126 .....	1
Misc. ....	.5 ml Thread Locker .....	□ TL1 .....	1
Misc. ....	3 oz Silicone Blue .....	□ Sealant .....	1
Misc. ....	Brush .....	□ BRUSH1 .....	1
Misc. ....	Gear Marking Compound .....	□ 35V05 .....	1
Misc. ....	Pinion Nut .....	□ PN3 .....	1

## SDK321-MK

APPLICATION	DESCRIPTION	PART NUMBER	QUANTITY
Differential Left/Right Hand .....	Tapered Roller Bearing (Cup) .....	LM501314 .....	2
Differential Left/Right Hand .....	Tapered Roller Bearing (Cone) .....	LM501349 .....	2
Pinion (Rear Axles) .....	Seal .....	19273 .....	1
	<i>Speedi-Sleeve</i> .....	■ 99193	
Pinion (Front Axles) .....	Seal .....	19277 .....	1
	<i>Speedi-Sleeve</i> .....	■ 99193	
Pinion Inner .....	Tapered Roller Bearing (Cup) .....	M802011 .....	1
Pinion Inner .....	Tapered Roller Bearing (Cone) .....	M802048 .....	1
Pinion Outer .....	Tapered Roller Bearing (Cup) .....	M88010 .....	1
Pinion Outer .....	Tapered Roller Bearing (Cone) .....	M88048 .....	1
Misc. ....	Crush Sleeve .....	KRS126 .....	1
Misc. ....	.5 ml Thread Locker .....	□ TL1 .....	1
Misc. ....	3 oz Silicone Blue .....	□ Sealant .....	1
Misc. ....	Brush .....	□ BRUSH1 .....	1
Misc. ....	Gear Marking Compound .....	□ 35V05 .....	1
Misc. ....	Pinion Nut .....	□ PN3 .....	1
Misc. ....	Ring Gear Bolt .....	□ RGB2 .....	10
Misc. ....	Shim Set .....	□ SK11 .....	1
Misc. ....	Shim Set .....	□ SK4 .....	1

■ Use Speedi-Sleeves to repair grooved shafts (Not Included)

□ Not Sold Separately

# Differential kit contents—Light Duty

## SDK321-A

APPLICATION	DESCRIPTION	PART NUMBER	QUANTITY
Differential Left/Right Hand	Tapered Roller Bearing (Cup)	LM501314	2
Differential Left/Right Hand	Tapered Roller Bearing (Cone)	LM501349	2
Pinion	Seal	19428	1
	<i>Speedi-Sleeve</i>	■ 99193	
Pinion Inner	Tapered Roller Bearing (Cup)	M802011	1
Pinion Inner	Tapered Roller Bearing (Cone)	M802048	1
Pinion Outer	Tapered Roller Bearing (Cup)	M88010	1
Pinion Outer	Tapered Roller Bearing (Cone)	M88048	1
Misc.	Crush Sleeve	KRS126	1
Misc.	.5 ml Thread Locker	□ TL1	1
Misc.	3 oz Silicone Blue	□ Sealant	1
Misc.	Brush	□ BRUSH1	1
Misc.	Gear Marking Compound	□ 35V05	1
Misc.	Pinion Nut	□ PN3	1

## SDK321-C

APPLICATION	DESCRIPTION	PART NUMBER	QUANTITY
Differential Left/Right Hand	Tapered Roller Bearing Set	BR36	2
Pinion	Seal	21285	1
	<i>Speedi-Sleeve</i>	■ 99212	
Pinion Inner	Tapered Roller Bearing (Cup)	M802011	1
Pinion Inner	Tapered Roller Bearing (Cone)	M802048	1
Pinion Outer	Tapered Roller Bearing Set	BR52	1
Misc.	Crush Sleeve	KRS126	1
Misc.	.5 ml Thread Locker	□ TL1	1
Misc.	3 oz Silicone Blue	□ Sealant	1
Misc.	Brush	□ BRUSH1	1
Misc.	Gear Marking Compound	□ 35V05	1
Misc.	Pinion Nut	□ PN3	1

## SDK321-CMK

APPLICATION	DESCRIPTION	PART NUMBER	QUANTITY
Differential Left/Right Hand	Tapered Roller Bearing Set	BR36	2
Pinion	Seal	21285	1
	<i>Speedi-Sleeve</i>	■ 99212	
Pinion Inner	Tapered Roller Bearing (Cup)	M802011	1
Pinion Inner	Tapered Roller Bearing (Cone)	M802048	1
Pinion Outer	Tapered Roller Bearing Set	BR52	1
Misc.	Crush Sleeve	KRS126	1
Misc.	.5 ml Thread Locker	□ TL1	1
Misc.	3 oz Silicone Blue	□ Sealant	1
Misc.	Brush	□ BRUSH1	1
Misc.	Gear Marking Compound	□ 35V05	1
Misc.	Pinion Nut	□ PN3	1
Misc.	Ring Gear Bolt	□ RGB2	10
Misc.	Shim Set	□ SK4	1
Misc.	Shim Set	□ SK7	1

■ Use Speedi-Sleeves to repair grooved shafts (Not Included)

□ Not Sold Separately

## Differential kit contents—Light Duty

## SDK322

APPLICATION	DESCRIPTION	PART NUMBER	QUANTITY
Differential Left/Right Hand .....	Tapered Roller Bearing Set.....	BR36.....	2
Pinion Front Axle.....	Seal.....	17190.....	1
	<i>Speedi-Sleeve</i> .....	■ 99170	
Pinion Inner .....	Tapered Roller Bearing (Cup).....	HM89410 .....	1
Pinion Inner .....	Tapered Roller Bearing (Cone).....	HM89449 .....	1
Pinion Outer .....	Tapered Roller Bearing (Cup).....	M88010 .....	1
Pinion Outer .....	Tapered Roller Bearing (Cone).....	M88048 .....	1
Misc.....	Crush Sleeve.....	KRS128 .....	1
Misc.....	.5 ml Thread Locker.....	□ TL1 .....	1
Misc.....	3 oz Silicone Blue .....	□ Sealant .....	1
Misc.....	Brush.....	□ BRUSH1 .....	1
Misc.....	Gear Marking Compound.....	□ 35V05 .....	1
Misc.....	Pinion Nut.....	□ PN4.....	1

## SDK323

APPLICATION	DESCRIPTION	PART NUMBER	QUANTITY
Differential Left/Right Hand .....	Tapered Roller Bearing Set.....	BR36.....	2
Pinion (1973 and Later) .....	Seal.....	17190.....	1
	<i>Speedi-Sleeve</i> .....	■ 99170	
Pinion (1972-1963).....	Seal.....	19273.....	1
	<i>Speedi-Sleeve</i> .....	■ 99193	
Pinion Inner .....	Tapered Roller Bearing (Cup).....	M802011.....	1
Pinion Inner .....	Tapered Roller Bearing (Cone).....	M802048.....	1
Pinion Outer .....	Tapered Roller Bearing (Cup).....	M88010 .....	1
Pinion Outer .....	Tapered Roller Bearing (Cone).....	M88048 .....	1
Misc.....	Crush Sleeve.....	KRS126 .....	1
Misc.....	.5 ml Thread Locker.....	□ TL1 .....	1
Misc.....	3 oz Silicone Blue .....	□ Sealant .....	1
Misc.....	Brush.....	□ BRUSH1 .....	1
Misc. (Corvette) .....	Crush Sleeve.....	□ CS323-C.....	1
Misc.....	Gear Marking Compound.....	□ 35V05 .....	1
Misc.....	Pinion Nut.....	□ PN4.....	1

■ Use Speedi-Sleeves to repair grooved shafts (Not Included)

□ Not Sold Separately

# Differential kit contents—Light Duty

## SDK324

APPLICATION	DESCRIPTION	PART NUMBER	QUANTITY
Differential Left/Right Hand	Tapered Roller Bearing (Cup)	JLM506811	2
Differential Left/Right Hand	Tapered Roller Bearing (Cone)	JLM506849A	2
Pinion	Seal	19314	1
	<i>Speedi-Sleeve</i>	■ 99193	
Pinion Inner	Tapered Roller Bearing (Cup)	HM804810	1
Pinion Inner	Tapered Roller Bearing (Cone)	HM804846	1
Pinion Front Outer	Tapered Roller Bearing (Cup)	HM88610	1
Pinion Front Outer	Tapered Roller Bearing (Cone)	HM88649	1
Misc.	.5 ml Thread Locker	□ TL1	1
Misc.	3 oz Silicone Blue	□ Sealant	1
Misc.	Brush	□ BRUSH1	1
Misc.	Crush Sleeve	□ CS324	1
Misc.	Gear Marking Compound	□ 35V05	1
Misc.	Pinion Nut	□ PN3	1

## SDK324-A

APPLICATION	DESCRIPTION	PART NUMBER	QUANTITY
Differential Left/Right Hand	Tapered Roller Bearing (Cup)	JLM506811	2
Differential Left/Right Hand	Tapered Roller Bearing (Cone)	JLM506849A	2
Pinion	Seal	19428	1
	<i>Speedi-Sleeve</i>	■ 99193	
Pinion Front Inner	Tapered Roller Bearing (Cup)	HM804810	1
Pinion Front Inner	Tapered Roller Bearing (Cone)	HM804846	1
Pinion Front Outer	Tapered Roller Bearing (Cup)	HM88610	1
Pinion Front Outer	Tapered Roller Bearing (Cone)	HM88649	1
Misc.	.5 ml Thread Locker	□ TL1	1
Misc.	3 oz Silicone Blue	□ Sealant	1
Misc.	Brush	□ BRUSH1	1
Misc.	Crush Sleeve	□ CS324	1
Misc.	Gear Marking Compound	□ 35V05	1
Misc.	Pinion Nut	□ PN3	1

## SDK324-B

APPLICATION	DESCRIPTION	PART NUMBER	QUANTITY
Differential Left/Right Hand	Tapered Roller Bearing (Cup)	JLM506811	2
Differential Left/Right Hand	Tapered Roller Bearing (Cone)	JLM506849A	2
Pinion	Seal	20880	1
Pinion Front Inner	Tapered Roller Bearing (Cup)	HM804810	1
Pinion Front Inner	Tapered Roller Bearing (Cone)	HM804846	1
Pinion Front Outer	Tapered Roller Bearing (Cup)	HM88610	1
Pinion Front Outer	Tapered Roller Bearing (Cone)	HM88649	1
Misc.	.5 ml Thread Locker	□ TL1	1
Misc.	3 oz Silicone Blue	□ Sealant	1
Misc.	Brush	□ BRUSH1	1
Misc.	Crush Sleeve	□ CS324	1
Misc.	Gear Marking Compound	□ 35V05	1
Misc.	Pinion Nut	□ PN3	1

■ Use Speedi-Sleeves to repair grooved shafts (Not Included)

□ Not Sold Separately



## Differential kit contents—Light Duty

## SDK325

APPLICATION	DESCRIPTION	PART NUMBER	QUANTITY
Differential Left/Right Hand .....	Tapered Roller Bearing (Cup) .....	382-A .....	2
Differential Left/Right Hand .....	Tapered Roller Bearing (Cone) .....	387-AS .....	2
Pinion .....	Seal .....	21955 .....	1
	<i>Speedi-Sleeve</i> .....	■ 99220 .....	
Pinion Inner .....	Tapered Roller Bearing (Cup) .....	HM803110 .....	1
Pinion Inner .....	Tapered Roller Bearing (Cone) .....	HM803149 .....	1
Pinion Outer .....	Tapered Roller Bearing (Cup) .....	M802011 .....	1
Pinion Outer .....	Tapered Roller Bearing (Cone) .....	M802048 .....	1
Pinion Pilot .....	Cylindrical Roller Bearing .....	R1581-TV .....	1
Misc .....	.5 ml Thread Locker .....	<input type="checkbox"/> TL1 .....	1
Misc .....	3 oz Silicone Blue .....	<input type="checkbox"/> Sealant .....	1
Misc .....	Brush .....	<input type="checkbox"/> BRUSH1 .....	1
Misc .....	Crush Sleeve .....	<input type="checkbox"/> CS325 .....	1
Misc .....	Gear Marking Compound .....	<input type="checkbox"/> 35V05 .....	1
Misc .....	Pinion Nut .....	<input type="checkbox"/> PN7 .....	1

## SDK325-A

APPLICATION	DESCRIPTION	PART NUMBER	QUANTITY
Differential Left/Right Hand .....	Tapered Roller Bearing (Cup) .....	382-A .....	2
Differential Left/Right Hand .....	Tapered Roller Bearing (Cone) .....	387-AS .....	2
Pinion .....	Seal .....	21955 .....	1
	<i>Speedi-Sleeve</i> .....	■ 99220 .....	
Pinion Front Inner .....	Tapered Roller Bearing (Cup) .....	HM903210 .....	1
Pinion Front Inner .....	Tapered Roller Bearing (Cone) .....	HM903249 .....	1
Pinion Outer .....	Tapered Roller Bearing (Cup) .....	M802011 .....	1
Pinion Outer .....	Tapered Roller Bearing (Cone) .....	M802048 .....	1
Pinion Pilot .....	Cylindrical Roller Bearing .....	R1581-TV .....	1
Misc .....	Crush Sleeve .....	KRS123 .....	1
Misc .....	.5 ml Thread Locker .....	<input type="checkbox"/> TL1 .....	1
Misc .....	3 oz Silicone Blue .....	<input type="checkbox"/> Sealant .....	1
Misc .....	Brush .....	<input type="checkbox"/> BRUSH1 .....	1
Misc .....	Gear Marking Compound .....	<input type="checkbox"/> 35V05 .....	1
Misc .....	Pinion Nut .....	<input type="checkbox"/> PN7 .....	1

■ Use Speedi-Sleeves to repair grooved shafts (Not Included)

Not Sold Separately

# Differential kit contents—Light Duty

## SDK325-AMK

APPLICATION	DESCRIPTION	PART NUMBER	QUANTITY
Differential Left/Right Hand .....	Tapered Roller Bearing (Cup) .....	382-A .....	2
Differential Left/Right Hand .....	Tapered Roller Bearing (Cone) .....	387-AS .....	2
Pinion .....	Seal .....	21955 .....	1
	<i>Speedi-Sleeve</i> .....	■ 99220 .....	
Pinion Front Inner .....	Tapered Roller Bearing (Cup) .....	HM903210 .....	1
Pinion Front Inner .....	Tapered Roller Bearing (Cone) .....	HM903249 .....	1
Pinion Outer .....	Tapered Roller Bearing (Cup) .....	M802011 .....	1
Pinion Outer .....	Tapered Roller Bearing (Cone) .....	M802048 .....	1
Pinion Pilot .....	Cylindrical Roller Bearing .....	R1581-TV .....	1
Misc .....	Crush Sleeve .....	KRS123 .....	1
Misc .....	.5 ml Thread Locker .....	□ TL1 .....	1
Misc .....	3 oz Silicone Blue .....	□ Sealant .....	1
Misc .....	Brush .....	□ BRUSH1 .....	1
Misc .....	Gear Marking Compound .....	□ 35V05 .....	1
Misc .....	Pinion Nut .....	□ PN7 .....	1
Misc .....	Ring Gear Bolt .....	□ RGB9* .....	12
Misc .....	Shim Set .....	□ SK14 .....	1

\* For ratios lower than 4.56

## SDK325-B

APPLICATION	DESCRIPTION	PART NUMBER	QUANTITY
Differential Left/Right Hand .....	Tapered Roller Bearing (Cup) .....	382-A .....	2
Differential Left/Right Hand .....	Tapered Roller Bearing (Cone) .....	387-AS .....	2
Pinion .....	Seal .....	23244 .....	1
Pinion Front Inner .....	Tapered Roller Bearing (Cup) .....	HM903210 .....	1
Pinion Front Inner .....	Tapered Roller Bearing (Cone) .....	HM903249 .....	1
Pinion Outer .....	Tapered Roller Bearing (Cup) .....	M802011 .....	1
Pinion Outer .....	Tapered Roller Bearing (Cone) .....	M802048 .....	1
Pinion Pilot .....	Cylindrical Roller Bearing .....	R1581-TV .....	1
Misc .....	Crush Sleeve .....	KRS123 .....	1
Misc .....	.5 ml Thread Locker .....	□ TL1 .....	1
Misc .....	3 oz Silicone Blue .....	□ Sealant .....	1
Misc .....	Brush .....	□ BRUSH1 .....	1
Misc .....	Gear Marking Compound .....	□ 35V05 .....	1
Misc .....	Pinion Nut .....	□ PN7 .....	1

■ Use Speedi-Sleeves to repair grooved shafts (Not Included)

□ Not Sold Separately

## Differential kit contents—Light Duty

## SDK331

APPLICATION	DESCRIPTION	PART NUMBER	QUANTITY
Differential Left/Right Hand .....	Tapered Roller Bearing (Cup) .....	382-S .....	2
Differential Left/Right Hand .....	Tapered Roller Bearing (Cone) .....	387-A .....	2
Pinion.....	Seal (.531" Width).....	18888.....	1
	<i>Speedi-Sleeve</i> .....	■ 99187	
Pinion.....	Seal (.770" Width).....	18891.....	1
	<i>Speedi-Sleeve</i> .....	■ 99187	
Pinion Inner .....	Tapered Roller Bearing (Cup) .....	HM803110 .....	1
Pinion Inner .....	Tapered Roller Bearing (Cone) .....	HM803146 .....	1
Pinion Outer .....	Tapered Roller Bearing (Cup) .....	HM88510 .....	1
Pinion Outer .....	Tapered Roller Bearing (Cone) .....	HM88542 .....	1
Misc.....	.5 ml Thread Locker.....	□ TL1 .....	1
Misc.....	3 oz Silicone Blue .....	□ Sealant .....	1
Misc.....	Brush.....	□ BRUSH1 .....	1
Misc.....	Gear Marking Compound.....	□ 35V05 .....	1
Misc.....	Pinion Nut.....	□ PN5.....	1
Misc.....	Shim Set .....	□ SK15.....	1
Misc.....	Shim Set .....	□ SK16.....	1
Misc.....	Shim Set .....	□ SK17 .....	1

## SDK332

APPLICATION	DESCRIPTION	PART NUMBER	QUANTITY
Differential Left/Right Hand .....	Tapered Roller Bearing (Cup) .....	382-S .....	2
Differential Left/Right Hand .....	Tapered Roller Bearing (Cone) .....	387-A .....	2
Pinion (1970-1957).....	Seal.....	18888.....	1
	<i>Speedi-Sleeve</i> .....	■ 99187	
Pinion (1970 and Later) .....	Seal.....	18891.....	1
	<i>Speedi-Sleeve</i> .....	■ 99187	
Pinion Inner .....	Tapered Roller Bearing (Cup) .....	HM807010 .....	1
Pinion Inner .....	Tapered Roller Bearing (Cone) .....	HM807040 .....	1
Pinion Outer .....	Tapered Roller Bearing (Cup) .....	HM88510 .....	1
Pinion Outer .....	Tapered Roller Bearing (Cone) .....	HM88542 .....	1
Misc.....	.5 ml Thread Locker.....	□ TL1 .....	1
Misc.....	3 oz Silicone Blue .....	□ Sealant .....	1
Misc.....	Brush.....	□ BRUSH1 .....	1
Misc.....	Gear Marking Compound.....	□ 35V05 .....	1
Misc.....	Pinion Nut.....	□ PN5A .....	1
Misc.....	Shim Set .....	□ SK16.....	1
Misc.....	Shim Set .....	□ SK17 .....	1
Misc.....	Shim Set .....	□ SK18.....	1

■ Use Speedi-Sleeves to repair grooved shafts (Not Included)

□ Not Sold Separately

# Differential kit contents—Light Duty

## SDK332-A

APPLICATION	DESCRIPTION	PART NUMBER	QUANTITY
Differential Left/Right Hand .....	Tapered Roller Bearing (Cup) .....	NP802507 .....	2
Differential Left/Right Hand .....	Tapered Roller Bearing (Cone) .....	NP197868 .....	2
Pinion .....	Seal .....	18896 .....	1
	<i>Speedi-Sleeve</i> .....	■ 99187	
Pinion Front Inner .....	Tapered Roller Bearing (Cup) .....	HM803110 .....	1
Pinion Front Inner .....	Tapered Roller Bearing (Cone) .....	HM803149 .....	1
Pinion Outer .....	Tapered Roller Bearing (Cup) .....	HM88510 .....	1
Pinion Outer .....	Tapered Roller Bearing (Cone) .....	HM88542 .....	1
Misc. ....	.5 ml Thread Locker .....	□ TL1 .....	1
Misc. ....	3 oz Silicone Blue .....	□ Sealant .....	1
Misc. ....	Brush .....	□ BRUSH1 .....	1
Misc. ....	Gear Marking Compound .....	□ 35V05 .....	1
Misc. ....	Pinion Nut .....	□ PN5A .....	1
Misc. ....	Shim Set .....	□ SK15 .....	1
Misc. ....	Shim Set .....	□ SK16 .....	1
Misc. ....	Shim Set .....	□ SK17 .....	1
Misc. ....	Spacer .....	□ DS46176 .....	1

## SDK332-HD

APPLICATION	DESCRIPTION	PART NUMBER	QUANTITY
Differential Left/Right Hand .....	Tapered Roller Bearing (Cup) .....	453-X .....	2
Differential Left/Right Hand .....	Tapered Roller Bearing (Cone) .....	BR469 .....	2
Pinion .....	Seal .....	18891 .....	1
	<i>Speedi-Sleeve</i> .....	■ 99187	
Pinion Inner .....	Tapered Roller Bearing (Cup) .....	HM807010 .....	1
Pinion Inner .....	Tapered Roller Bearing (Cone) .....	HM807040 .....	1
Pinion Outer .....	Tapered Roller Bearing (Cup) .....	HM88510 .....	1
Pinion Outer .....	Tapered Roller Bearing (Cone) .....	HM88542 .....	1
Misc. ....	.5 ml Thread Locker .....	□ TL1 .....	1
Misc. ....	3 oz Silicone Blue .....	□ Sealant .....	1
Misc. ....	Brush .....	□ BRUSH1 .....	1
Misc. ....	Gear Marking Compound .....	□ 35V05 .....	1
Misc. ....	Pinion Nut .....	□ PN5A .....	1
Misc. ....	Shim Set .....	□ SK16 .....	1
Misc. ....	Shim Set .....	□ SK17 .....	1
Misc. ....	Shim Set .....	□ SK18 .....	1

■ Use Speedi-Sleeves to repair grooved shafts (Not Included)

□ Not Sold Separately

## Differential kit contents—Light Duty

## SDK333

APPLICATION	DESCRIPTION	PART NUMBER	QUANTITY
Differential Left/Right Hand .....	Tapered Roller Bearing (Cup) .....	LM29710 .....	2
Differential Left/Right Hand .....	Tapered Roller Bearing (Cone) .....	LM29749 .....	2
Pinion .....	Seal .....	15502 .....	1
	<i>Speedi-Sleeve</i> .....	■ 99155 .....	
Pinion Inner .....	Tapered Roller Bearing (Cup) .....	M86610 .....	1
Pinion Inner .....	Tapered Roller Bearing (Cone) .....	M86649 .....	1
Pinion Outer .....	Tapered Roller Bearing (Cup) .....	M88010 .....	1
Pinion Outer .....	Tapered Roller Bearing (Cone) .....	M88048 .....	1
Misc .....	Crush Sleeve .....	KRS116 .....	1
Misc .....	.5 ml Thread Locker .....	□ TL1 .....	1
Misc .....	3 oz Silicone Blue .....	□ Sealant .....	1
Misc .....	Brush .....	□ BRUSH1 .....	1
Misc .....	Gear Marking Compound .....	□ 35V05 .....	1
Misc .....	Pinion Nut .....	□ PN8A .....	1

## SDK334

APPLICATION	DESCRIPTION	PART NUMBER	QUANTITY
Differential Left/Right Hand .....	Tapered Roller Bearing (Cup) .....	LM501314 .....	2
Differential Left/Right Hand .....	Tapered Roller Bearing (Cone) .....	LM501349 .....	2
Pinion .....	Seal .....	15788 .....	1
	<i>Speedi-Sleeve</i> .....	■ 99155 .....	
Pinion Inner .....	Tapered Roller Bearing (Cup) .....	HM88610 .....	1
Pinion Inner .....	Tapered Roller Bearing (Cone) .....	HM88649 .....	1
Pinion Outer .....	Tapered Roller Bearing (Cup) .....	BR02820 .....	1
Pinion Outer .....	Tapered Roller Bearing (Cone) .....	BR02872 .....	1
Misc .....	.5 ml Thread Locker .....	□ TL1 .....	1
Misc .....	3 oz Silicone Blue .....	□ Sealant .....	1
Misc .....	Brush .....	□ BRUSH1 .....	1
Misc .....	Gear Marking Compound .....	□ 35V05 .....	1
Misc .....	Pinion Nut .....	□ PN8A .....	1

## SDK335

APPLICATION	DESCRIPTION	PART NUMBER	QUANTITY
Differential Left/Right Hand .....	Tapered Roller Bearing (Cup) .....	LM501314 .....	2
Differential Left/Right Hand .....	Tapered Roller Bearing (Cone) .....	LM501349 .....	2
Pinion .....	Seal .....	18444 .....	1
Pinion Inner .....	Tapered Roller Bearing (Cup) .....	M86610 .....	1
Pinion Inner .....	Tapered Roller Bearing (Cone) .....	M86649 .....	1
Pinion Outer .....	Tapered Roller Bearing (Cup) .....	HM88610 .....	1
Pinion Outer .....	Tapered Roller Bearing (Cone) .....	HM88648 .....	1
Misc .....	Crush Sleeve .....	KRS111 .....	1
Misc .....	.5 ml Thread Locker .....	□ TL1 .....	1
Misc .....	3 oz Silicone Blue .....	□ Sealant .....	1
Misc .....	Brush .....	□ BRUSH1 .....	1
Misc .....	Gear Marking Compound .....	□ 35V05 .....	1
Misc .....	Pinion Nut .....	□ PN6 .....	1

■ Use Speedi-Sleeves to repair grooved shafts (Not Included)

□ Not Sold Separately

# Differential kit contents—Light Duty

## SDK336

APPLICATION	DESCRIPTION	PART NUMBER	QUANTITY
Differential Left/Right Hand	Tapered Roller Bearing (Cone)	JLM104948	2
Differential Left/Right Hand	Tapered Roller Bearing (Cup)	LM104911-A	2
Pinion	Seal	15788	1
	<i>Speedi-Sleeve</i>	■ 99155	
Pinion Inner	Tapered Roller Bearing (Cup)	HM88610	1
Pinion Inner	Tapered Roller Bearing (Cone)	HM88649	1
Pinion Outer	Tapered Roller Bearing (Cup)	BR02820	1
Pinion Outer	Tapered Roller Bearing (Cone)	BR02872	1
Misc.	.5 ml Thread Locker	□ TL1	1
Misc.	3 oz Silicone Blue	□ Sealant	1
Misc.	Brush	□ BRUSH1	1
Misc.	Gear Marking Compound	□ 35V05	1
Misc.	Pinion Nut	□ PN8A	1

## SDK337

APPLICATION	DESCRIPTION	PART NUMBER	QUANTITY
Differential Left/Right Hand	Tapered Roller Bearing (Cup)	453-X	2
Differential Left/Right Hand	Tapered Roller Bearing (Cone)	BR469	2
Pinion	Seal	25140	1
	<i>Speedi-Sleeve</i>	■ 99250	
Pinion Front Inner	Tapered Roller Bearing (Cup)	M802011	1
Pinion Front Inner	Tapered Roller Bearing (Cone)	M802048	1
Pinion Front Outer	Tapered Roller Bearing (Cup)	HM807010	1
Pinion Front Outer	Tapered Roller Bearing (Cone)	HM807046	1
Misc.	.5 ml Thread Locker	□ TL1	1
Misc.	3 oz Silicone Blue	□ Sealant	1
Misc.	Brush	□ BRUSH1	1
Misc.	Gear Marking Compound	□ 35V05	1
Misc.	Pinion Nut	□ PN10	1

## SDK339

APPLICATION	DESCRIPTION	PART NUMBER	QUANTITY
Pinion	Seal	15788	1
	<i>Speedi-Sleeve</i>	■ 99155	
Pinion Front Inner	Tapered Roller Bearing (Cup)	HM88610	1
Pinion Front Inner	Tapered Roller Bearing (Cone)	HM88649	1
Differential	Tapered Roller Bearing (Cup)	LM603011	2
Differential	Tapered Roller Bearing (Cone)	LM603049	2
Pinion Front Outer	Tapered Roller Bearing (Cup)	M86610	1
Pinion Front Outer	Tapered Roller Bearing (Cone)	M86647	1
Misc.	.5 ml Thread Locker	□ TL1	1
Misc.	3 oz Silicone Blue	□ Sealant	1
Misc.	Brush	□ BRUSH1	1
Misc.	Gear Marking Compound	□ 35V05	1
Misc.	Pinion Nut	□ PN8A	1

■ Use Speedi-Sleeves to repair grooved shafts (Not Included)

□ Not Sold Separately

## Differential kit contents—Light Duty

## SDK339-A

APPLICATION	DESCRIPTION	PART NUMBER	QUANTITY
Differential Left/Right Hand .....	Tapered Roller Bearing (Cup) .....	LM603012.....	2
Differential Left/Right Hand .....	Tapered Roller Bearing (Cone) .....	LM603049.....	2
Pinion.....	Seal.....	18891.....	1
	<i>Speedi-Sleeve</i> .....	■ 99187	
Pinion Front Inner.....	Tapered Roller Bearing (Cup) .....	M802011.....	1
Pinion Front Inner.....	Tapered Roller Bearing (Cone) .....	M802048.....	1
Pinion Front Outer .....	Tapered Roller Bearing (Cup) .....	M88010 .....	1
Pinion Front Outer .....	Tapered Roller Bearing (Cone) .....	M88048 .....	1
Misc.....	.5 ml Thread Locker.....	<input type="checkbox"/> TL1 .....	1
Misc.....	3 oz Silicone Blue .....	<input type="checkbox"/> Sealant .....	1
Misc.....	Brush.....	<input type="checkbox"/> BRUSH1 .....	1
Misc.....	Crush Sleeve.....	<input type="checkbox"/> CS333 .....	1
Misc.....	Gear Marking Compound.....	<input type="checkbox"/> 35V05 .....	1
Misc.....	Pinion Nut.....	<input type="checkbox"/> PN5A.....	1

## SDK339-B

APPLICATION	DESCRIPTION	PART NUMBER	QUANTITY
Differential Left/Right Hand .....	Tapered Roller Bearing (Cup) .....	BR25523 .....	2
Differential Left/Right Hand .....	Tapered Roller Bearing (Cone) .....	BR25590 .....	2
Pinion.....	Seal.....	15788.....	1
	<i>Speedi-Sleeve</i> .....	■ 99155	
Pinion Front Inner.....	Tapered Roller Bearing (Cup) .....	BR31520 .....	1
Pinion Front Inner.....	Tapered Roller Bearing (Cone) .....	BR31594 .....	1
Pinion Front Outer .....	Tapered Roller Bearing (Cup) .....	BR02820 .....	1
Pinion Front Outer .....	Tapered Roller Bearing (Cone) .....	BR02872 .....	1
Misc.....	.5 ml Thread Locker.....	<input type="checkbox"/> TL1 .....	1
Misc.....	3 oz Silicone Blue .....	<input type="checkbox"/> Sealant .....	1
Misc.....	Brush.....	<input type="checkbox"/> BRUSH1 .....	1
Misc.....	Gear Marking Compound.....	<input type="checkbox"/> 35V05 .....	1
Misc.....	Pinion Nut.....	<input type="checkbox"/> PN8A.....	1

■ Use Speedi-Sleeves to repair grooved shafts (Not Included)

Not Sold Separately

## Transfer Case kit contents—Light Duty

### STCK205-D

APPLICATION	DESCRIPTION	PART NUMBER	QUANTITY
Input Shaft (Diesel w/Std Trans) .....	Seal .....	19255 .....	1
	<i>Speedi-Sleeve</i> .....	■ 99193 .....	
Input Shaft .....	Ball Bearing .....	6210-NRJ .....	1
Idler Shaft .....	Tapered Roller Bearing (Cup) .....	BR2720 .....	2
Idler Shaft .....	Tapered Roller Bearing (Cone) .....	BR2793 .....	2
Front Output (Frt)/Rear Output (Rr) .....	Ball Bearing .....	6307-NRJ .....	2
Rear Output Shaft .....	Seal .....	21213 .....	1
	<i>Speedi-Sleeve</i> .....	■ 99212 .....	
Input Shaft (Gas or Diesel w/Auto Trans) .....	Seal (1.375" Shaft) .....	13557 .....	2
	<i>Speedi-Sleeve</i> .....	■ 99138 .....	
Shift Shaft .....	Seal .....	7440 .....	2
	<i>Speedi-Sleeve</i> .....	■ 99076 .....	
Front Output Shaft .....	Seal .....	17720 .....	1
	<i>Speedi-Sleeve</i> .....	■ 99174 .....	
Rear Output Shaft (Frt) .....	Needle Bearing Assembly .....	B3216 .....	1
Front Output Shaft (Rr) .....	Needle Bearing Assembly .....	M28161 .....	1
Misc .....	Gasket Set .....	□ GTK-205-1 .....	1
Misc .....	Gasket Set .....	□ GTK-205GDM .....	1
Misc .....	O-Ring .....	□ OR-216 .....	1
Misc .....	Small Parts Kit .....	□ SPK-205 .....	1

### STCK205-F

APPLICATION	DESCRIPTION	PART NUMBER	QUANTITY
Input Shaft .....	Ball Bearing .....	6210-NRJ .....	1
Shift Shaft .....	Seal .....	7443 .....	2
	<i>Speedi-Sleeve</i> .....	■ 99076 .....	
Idler Shaft .....	Tapered Roller Bearing (Cup) .....	BR2720 .....	2
Idler Shaft .....	Tapered Roller Bearing (Cone) .....	BR2793 .....	2
Input & Front Output Shaft (Frt) .....	Ball Bearing .....	6307-NRJ .....	2
Input & Front Output Shaft .....	Seal .....	21213 .....	2
	<i>Speedi-Sleeve</i> .....	■ 99212 .....	
Rear Output Shaft (1979) .....	Seal .....	18872 .....	1
	<i>Speedi-Sleeve</i> .....	■ 99187 .....	
Rear Output Shaft (1978-1976) .....	Seal .....	21213 .....	1
Output Shaft (Frt) .....	Needle Bearing Assembly .....	B3216 .....	1
Output Shaft (Rr) .....	Needle Bearing Assembly .....	M28161 .....	1
Mainshaft Pilot .....	Loose Needle Bearing .....	QAR29523 .....	1
Low Gear .....	Needle Bearing Assembly .....	QBR23549 .....	8
Misc .....	Gasket Set .....	□ GTK105-901C .....	1

■ Use Speedi-Sleeves to repair grooved shafts (Not Included)

□ Not Sold Separately



# Transfer Case kit contents—Light Duty

## STCK205-FA

APPLICATION	DESCRIPTION	PART NUMBER	QUANTITY
Shift Shaft.....	Seal.....	7443.....	2
	<i>Speedi-Sleeve</i> .....	■ 99076.....	
Idler Shaft.....	Tapered Roller Bearing (Cup).....	BR2720.....	2
Idler Shaft.....	Tapered Roller Bearing (Cone).....	BR2793.....	2
Input/Frt Output (Frt)/Rr Output (Rr).....	Ball Bearing.....	6307-NRJ.....	3
Input & Front Output Shaft.....	Seal.....	21213.....	3
	<i>Speedi-Sleeve</i> .....	■ 99212.....	
Rear Output Shaft (Frt).....	Needle Bearing Assembly.....	B3216.....	1
Front Output Shaft (Rr).....	Needle Bearing Assembly.....	M28161.....	1
Mainshaft Pilot.....	Loose Needle Bearing.....	QAR29523.....	1
Low Gear.....	Needle Bearing Assembly.....	QBR23549.....	8
Misc.....	Gasket Set.....	□ GTK105-901C.....	1

## STCK205-G

APPLICATION	DESCRIPTION	PART NUMBER	QUANTITY
Input Shaft.....	Seal.....	19255.....	1
	<i>Speedi-Sleeve</i> .....	■ 99193.....	
Idler Shaft.....	Tapered Roller Bearing (Cup).....	BR2720.....	2
Idler Shaft.....	Tapered Roller Bearing (Cone).....	BR2793.....	2
Input/Frt Output (Frt)/Rr Output (Rr).....	Ball Bearing.....	6307-NRJ.....	3
Rear Output Shaft.....	Seal.....	21213.....	1
	<i>Speedi-Sleeve</i> .....	■ 99212.....	
Shift Shaft.....	Seal.....	7440.....	2
	<i>Speedi-Sleeve</i> .....	■ 99076.....	
Front Output Shaft.....	Seal.....	17720.....	1
	<i>Speedi-Sleeve</i> .....	■ 99174.....	
Rear Output Shaft.....	Seal.....	18992.....	1
Output Shaft (Frt).....	Needle Bearing Assembly.....	B3216.....	1
Yoke.....	Washer.....	□ GTK-205STAR.....	1
Output Shaft (Rr).....	Needle Bearing Assembly.....	M28161.....	1
Misc.....	Transmission Gasket set.....	□ GT-172.....	1
Misc.....	O-Ring.....	□ OR-216.....	1
Misc.....	Small Parts Kit.....	□ SPK-205.....	1

■ Use Speedi-Sleeves to repair grooved shafts (Not Included)

□ Not Sold Separately

## Transfer Case kit contents—Light Duty

## STCK205-GDM4

APPLICATION	DESCRIPTION	PART NUMBER	QUANTITY
Input Shaft.....	Seal.....	19255.....	1
	<i>Speedi-Sleeve</i> .....	■ 99193.....	
Input Shaft.....	Ball Bearing.....	6210-NRJ.....	1
Idler Gear (Frt & Rr).....	Tapered Roller Bearing (Cup).....	BR2720.....	2
Idler Gear (Frt & Rr).....	Tapered Roller Bearing (Cone).....	BR2793.....	2
Front Output (Frt)/Rr Output (Rr).....	Ball Bearing.....	6307-NRJ.....	2
Rear Output Shaft.....	Seal.....	21213.....	1
	<i>Speedi-Sleeve</i> .....	■ 99212.....	
Shift Shaft.....	Seal.....	7440.....	2
	<i>Speedi-Sleeve</i> .....	■ 99076.....	
Front Output Shaft.....	Seal.....	17720.....	1
	<i>Speedi-Sleeve</i> .....	■ 99174.....	
Rear Output Shaft.....	Seal.....	18992.....	1
Output Shaft (Frt).....	Needle Bearing Assembly.....	B3216.....	1
Output Shaft (Rr).....	Needle Bearing Assembly.....	M28161.....	1
Misc.....	Gasket Set.....	□ GTK-205GDM.....	1
Misc.....	O-Ring.....	□ OR-216.....	1
Misc.....	Small Parts Kit.....	□ SPK-205.....	1

## STCK207

APPLICATION	DESCRIPTION	PART NUMBER	QUANTITY
Input Shaft.....	Seal.....	19255.....	1
	<i>Speedi-Sleeve</i> .....	■ 99193.....	
Oil Pump.....	Seal.....	22306.....	1
	<i>Speedi-Sleeve</i> .....	■ 99225.....	
Mainshaft (Rr)/Front Output (Frt).....	Ball Bearing.....	6206-2RSJ.....	2
Front Output Shaft.....	Seal.....	15729.....	1
Rear Output Shaft.....	Seal.....	15041.....	1
	<i>Speedi-Sleeve</i> .....	■ 99149.....	
Front Output Shaft (Rr).....	Needle Bearing.....	B228.....	1
Mainshaft (Frt).....	Needle Bearing.....	HK4020.....	2
Input Shaft (Fr).....	Needle Bearing.....	□ J3210.....	2
Mainshaft Pilot.....	Needle Bearing.....	□ JH1810.....	1
Input Shaft Thrust.....	Needle Bearing.....	□ NTA3244.....	1
Input Shaft Thrust.....	Washer.....	TRC3244.....	1
Misc.....	Fork Pads.....	□ ZM1000.....	1
Misc.....	Fork Pads.....	□ 4167969.....	4
Misc.....	Fork Pads.....	□ 4219073.....	1
Misc.....	Gasket Set.....	□ GTK-207.....	1

■ Use Speedi-Sleeves to repair grooved shafts (Not Included)

□ Not Sold Separately

# Transfer Case kit contents—Light Duty

## STCK208

APPLICATION	DESCRIPTION	PART NUMBER	QUANTITY
Mainshaft Front.....	Max Ball Bearing.....	207-NRJ.....	1
Input Shaft.....	Seal.....	19255.....	1
	<i>Speedi-Sleeve</i> .....	■ 99193.....	
Oil Pump.....	Seal.....	22306.....	1
	<i>Speedi-Sleeve</i> .....	■ 99225.....	
Front Output Shaft.....	Seal.....	18662.....	1
	<i>Speedi-Sleeve</i> .....	■ 99187.....	
Rear Output Shaft.....	Seal.....	18658.....	1
	<i>Speedi-Sleeve</i> .....	■ 99187.....	
Rear Output Shaft.....	Seal.....	18992.....	1
Input Shaft Thrust.....	Needle Bearing Assembly.....	AXK5070.....	1
Mainshaft Pilot.....	Needle Bearing Assembly.....	B2012.....	1
Front Output Shaft (Rr).....	Needle Bearing.....	B2416.....	1
Front Output Shaft (Frt).....	Needle Bearing Assembly.....	B2816.....	1
Input Shaft.....	Needle Bearing Assembly.....	B5020.....	2
Sprocket.....	Loose Needle Bearing.....	C1086-Q.....	6
Mainshaft Thrust.....	Needle Bearing.....	NTA2435.....	1
Front Output Shaft Thrust (Frt & Rr).....	Needle Bearing Assembly.....	NTA2840.....	2
Misc.....	Fork Pads.....	□ 4167969.....	4
Misc.....	Fork Pads.....	□ 4167970.....	1
Misc.....	Fork Pads.....	□ 4219073.....	1
Misc.....	Gasket Set.....	□ GTK-208.....	1

## STCK226

APPLICATION	DESCRIPTION	PART NUMBER	QUANTITY
Front Output Shaft (Frt & Rr).....	Ball Bearing.....	6007-J.....	2
Rear Output Shaft.....	Seal.....	18860.....	1
Input Shaft.....	Ball Bearing.....	5210-ANRX.....	1
Rear Output Shaft.....	Seal.....	□ NV22452.....	1
Input Shaft Thrust (Frt).....	Washer.....	□ NV29133.....	1
Front Output Shaft.....	Seal.....	□ NV29869.....	1
Input Shaft.....	Seal.....	□ NV29870.....	1
Input Shaft Thrust (Rr).....	Washer.....	□ NV30334.....	1
Pick-Up Tube.....	O-Ring.....	□ OR-013.....	1
Rear Output Shaft (Rr).....	Ball Bearing.....	□ ZB1061.....	1
Clutch Housing.....	Needle Bearing.....	□ ZN1146.....	1
Rear Output Shaft Pilot.....	Needle Bearing.....	□ ZN1180.....	1
Clutch Housing Thrust.....	Needle Bearing.....	□ ZN1182.....	1
Shift Shaft.....	Needle Bearing.....	□ ZN1183.....	1

■ Use Speedi-Sleeves to repair grooved shafts (Not Included)

□ Not Sold Separately

# Transfer Case kit contents—Light Duty

## STCK231

APPLICATION	DESCRIPTION	PART NUMBER	QUANTITY
Input Shaft.....	Seal.....	19255.....	1
	<i>Speedi-Sleeve</i> .....	■ 99193.....	
Front Output (Frt)/Rr Output (Rr).....	Ball Bearing.....	6206-NRJ.....	2
Rear Output Shaft (Dodge).....	Seal.....	15546.....	1
	<i>Speedi-Sleeve</i> .....	■ 99156.....	
Oil Pump.....	Seal.....	22306.....	1
	<i>Speedi-Sleeve</i> .....	■ 99225.....	
Front Output Shaft.....	Seal.....	15440.....	1
	<i>Speedi-Sleeve</i> .....	■ 99155.....	
Rear Output Shaft (Jeep & Chev.).....	Seal.....	15041.....	1
	<i>Speedi-Sleeve</i> .....	■ 99149.....	
Front Output Shaft (Rr).....	Needle Bearing.....	B2416.....	1
Drive Sprocket.....	Needle Bearing Assembly.....	B5020.....	2
Input Shaft.....	Ball Bearing.....	5210-ANRX.....	1
Yoke.....	Washer.....	□ GTK-207STAR.....	1
Oil Pump.....	O-Ring.....	□ OR-109.....	1
Shift Shaft.....	O-Ring.....	□ OR-116.....	1
Planetary Thrust.....	Washer.....	□ ZM1001.....	2
Input Shaft Pilot.....	Needle Bearing.....	□ ZN1065.....	1
Misc.....	Fork Pads.....	□ 4167969.....	4
Misc.....	Fork Pads.....	□ 4167970.....	1
Misc.....	Fork Pads.....	□ 4219073.....	1
Misc.....	LD Transmission Gasket.....	□ GT-243.....	1
Misc.....	Gasket Set.....	□ GTK-207-1.....	1
Misc.....	O-Ring.....	□ OR-013.....	2
Misc.....	O-Ring.....	□ OR-015.....	1

■ Use Speedi-Sleeves to repair grooved shafts (Not Included)

□ Not Sold Separately

# Transfer Case kit contents—Light Duty

## STCK231-BB

APPLICATION	DESCRIPTION	PART NUMBER	QUANTITY
Input Shaft.....	Seal.....	19255.....	1
	<i>Speedi-Sleeve</i> .....	■ 99193.....	
Front Output Shaft (Frt).....	Ball Bearing.....	6206-NRJ.....	1
Rear Output Shaft (Rr).....	Max Ball Bearing.....	6207-J.....	1
Oil Pump .....	Seal.....	22306.....	1
	<i>Speedi-Sleeve</i> .....	■ 99225.....	
Front Output Shaft.....	Seal.....	15440.....	1
	<i>Speedi-Sleeve</i> .....	■ 99155.....	
Rear Output Shaft.....	Seal.....	15041.....	1
	<i>Speedi-Sleeve</i> .....	■ 99149.....	
Front Output Shaft (Rr).....	Needle Bearing .....	B2416 .....	1
Drive Sprocket.....	Needle Bearing Assembly.....	B5020 .....	2
Input Shaft.....	Ball Bearing.....	5210-ANRX.....	1
Yoke.....	Washer .....	□ GTK-207STAR.....	1
Oil Pump .....	O-Ring.....	□ OR-109.....	1
Shift Shaft.....	O-Ring.....	□ OR-116.....	1
Planetary Thrust .....	Washer .....	□ ZM1001 .....	2
Input Shaft Pilot.....	Needle Bearing .....	□ ZN1065.....	1
Misc.....	Fork Pads .....	□ 4167969.....	4
Misc.....	Fork Pads .....	□ 4167970.....	1
Misc.....	Fork Pads .....	□ 4219073.....	1
Misc.....	Gasket Set.....	□ GTK-207-1.....	1
Misc.....	O-Ring.....	□ OR-013.....	2
Misc.....	O-Ring.....	□ OR-015.....	1

## STCK231-CC

APPLICATION	DESCRIPTION	PART NUMBER	QUANTITY
Input Shaft.....	Ball Bearing.....	6010-NRJ.....	1
Input Shaft.....	Seal.....	19255.....	1
	<i>Speedi-Sleeve</i> .....	■ 99193.....	
Front Output Shaft (Frt).....	Ball Bearing.....	6206-NRJ.....	1
Rear Output Shaft (Rr).....	Max Ball Bearing.....	6207-J.....	1
Oil Pump .....	Seal.....	22306.....	1
	<i>Speedi-Sleeve</i> .....	■ 99225.....	
Front Output Shaft.....	Seal.....	11778.....	1
Rear Output Shaft.....	Seal (1.886" Shaft).....	18992.....	1
Rear Output Shaft.....	Seal (1.50" Shaft) .....	15041.....	1
	<i>Speedi-Sleeve</i> .....	■ 99149.....	
Front Output Shaft (Rr).....	Needle Bearing .....	B2416 .....	1
Drive Sprocket.....	Needle Bearing Assembly.....	B5020 .....	2
Yoke.....	Washer .....	□ GTK-207STAR.....	1
Oil Pump .....	O-Ring.....	□ OR-109.....	1
Shift Shaft.....	O-Ring.....	□ OR-116.....	1
Planetary Thrust .....	Washer .....	□ ZM1001 .....	2
Input Shaft Pilot.....	Needle Bearing .....	□ ZN1065.....	1
Misc.....	Fork Pads .....	□ 4167969.....	4
Misc.....	Fork Pads .....	□ 4167970.....	1
Misc.....	Fork Pads .....	□ 4219073.....	1
Misc.....	Gasket Set.....	□ GTK-207-1.....	1
Misc.....	O-Ring.....	□ OR-013.....	2
Misc.....	O-Ring.....	□ OR-015.....	1

■ Use Speedi-Sleeves to repair grooved shafts (Not Included)

□ Not Sold Separately

# Transfer Case kit contents—Light Duty

## STCK231-DD

APPLICATION	DESCRIPTION	PART NUMBER	QUANTITY
Input Shaft.....	Ball Bearing.....	6010-NRJ.....	1
Input Shaft.....	Seal.....	19255.....	1
	<i>Speedi-Sleeve</i> .....	■ 99193.....	
Front Output Shaft (Frt).....	Ball Bearing.....	6206-NRJ.....	1
Rear Output Shaft (Rr).....	Max Ball Bearing.....	6207-J.....	1
Oil Pump.....	Seal.....	22306.....	1
	<i>Speedi-Sleeve</i> .....	■ 99225.....	
Front Output Shaft.....	Seal.....	11778.....	1
Rear Output Shaft.....	Seal.....	18992.....	1
Front Output Shaft (Rr).....	Needle Bearing.....	B2416.....	1
Drive Sprocket.....	Needle Bearing Assembly.....	B5020.....	2
Yoke.....	Washer.....	□ GTK-207STAR.....	1
Oil Pump.....	O-Ring.....	□ OR-109.....	1
Shift Shaft.....	O-Ring.....	□ OR-116.....	1
Planetary Thrust.....	Washer.....	□ ZM1001.....	2
Input Shaft Pilot.....	Needle Bearing.....	□ ZN1065.....	1
Misc.....	Fork Pads.....	□ 4167969.....	4
Misc.....	Fork Pads.....	□ 4167970.....	1
Misc.....	Fork Pads.....	□ 4219073.....	1
Misc.....	LD Transmission Gasket.....	□ GT-243.....	1
Misc.....	O-Ring.....	□ OR-013.....	2
Misc.....	O-Ring.....	□ OR-015.....	1

## STCK231-EE

APPLICATION	DESCRIPTION	PART NUMBER	QUANTITY
Input Shaft.....	Ball Bearing.....	6010-NRJ.....	1
Input Shaft.....	Seal.....	19255.....	1
	<i>Speedi-Sleeve</i> .....	■ 99193.....	
Front Output (Frt)/Rr Output (Rr).....	Ball Bearing.....	6206-NRJ.....	2
Oil Pump.....	Seal.....	22306.....	1
	<i>Speedi-Sleeve</i> .....	■ 99225.....	
Front Output Shaft.....	Seal.....	15440.....	1
	<i>Speedi-Sleeve</i> .....	■ 99155.....	
Rear Output Shaft.....	Seal.....	18992.....	1
Rear Output Shaft.....	Seal.....	15041.....	1
	<i>Speedi-Sleeve</i> .....	■ 99149.....	
Front Output Shaft (Rr).....	Needle Bearing.....	B2416.....	1
Drive Sprocket.....	Needle Bearing Assembly.....	B5020.....	2
Yoke.....	Washer.....	□ GTK-207STAR.....	1
Oil Pump.....	O-Ring.....	□ OR-109.....	1
Shift Shaft.....	O-Ring.....	□ OR-116.....	1
Planetary Thrust.....	Washer.....	□ ZM1001.....	2
Input Shaft Pilot.....	Needle Bearing.....	□ ZN1065.....	1
Misc.....	Fork Pads.....	□ 4167969.....	4
Misc.....	Fork Pads.....	□ 4167970.....	1
Misc.....	Fork Pads.....	□ 4219073.....	1
Misc.....	LD Transmission Gasket.....	□ GT-243.....	1
Misc.....	O-Ring.....	□ OR-013.....	2
Misc.....	O-Ring.....	□ OR-015.....	1

■ Use Speedi-Sleeves to repair grooved shafts (Not Included)

□ Not Sold Separately

# Transfer Case kit contents—Light Duty

## STCK231-FF

APPLICATION	DESCRIPTION	PART NUMBER	QUANTITY
Input Shaft.....	Ball Bearing.....	6010-NRJ.....	1
Input Shaft.....	Seal.....	19255.....	1
	<i>Speedi-Sleeve</i> .....	■ 99193.....	
Front Output (Frt)/Rr Output (Rr).....	Ball Bearing.....	6206-NRJ.....	2
Oil Pump.....	Seal.....	22306.....	1
	<i>Speedi-Sleeve</i> .....	■ 99225.....	
Front Output Shaft.....	Seal.....	15440.....	2
	<i>Speedi-Sleeve</i> .....	■ 99155.....	
Rear Output Shaft.....	Seal.....	15041.....	1
	<i>Speedi-Sleeve</i> .....	■ 99149.....	
Front Output Shaft (Rr).....	Needle Bearing.....	B2416.....	1
Drive Sprocket.....	Needle Bearing Assembly.....	B5020.....	2
Yoke.....	Washer.....	□ GTK-207STAR.....	1
Rear Output Shaft.....	Seal.....	□ NV19129.....	1
Oil Pump.....	O-Ring.....	□ OR-109.....	1
Shift Shaft.....	O-Ring.....	□ OR-116.....	1
Planetary Thrust.....	Washer.....	□ ZM1001.....	2
Input Shaft Pilot.....	Needle Bearing.....	□ ZN1065.....	1
Misc.....	Fork Pads.....	□ 4167969.....	4
Misc.....	Fork Pads.....	□ 4167970.....	1
Misc.....	Fork Pads.....	□ 4219073.....	1
Misc.....	LD Transmission Gasket.....	□ GT-243.....	1
Misc.....	O-Ring.....	□ OR-013.....	2
Misc.....	O-Ring.....	□ OR-015.....	1

## STCK241

APPLICATION	DESCRIPTION	PART NUMBER	QUANTITY
Input Shaft.....	Seal.....	19255.....	1
	<i>Speedi-Sleeve</i> .....	■ 99193.....	
Front Output (Frt)/Rr Output (Rr).....	Max Ball Bearing.....	6207-J.....	2
Oil Pump.....	Seal.....	22306.....	1
	<i>Speedi-Sleeve</i> .....	■ 99225.....	
Front Output Shaft.....	Seal.....	18662.....	1
	<i>Speedi-Sleeve</i> .....	■ 99187.....	
Rear Output Shaft.....	Seal.....	18992.....	1
Front Output Shaft (Rr).....	Needle Bearing.....	B2416.....	1
Drive Sprocket.....	Needle Bearing Assembly.....	B5020.....	2
Input Shaft.....	Ball Bearing.....	5210-ANRX.....	1
Yoke.....	Washer.....	□ GTK-205STAR.....	1
Oil Pump.....	O-Ring.....	□ OR-109.....	1
Shift Shaft.....	O-Ring.....	□ OR-116.....	1
Planetary Thrust.....	Washer.....	□ ZM1001.....	2
Input Shaft Pilot.....	Needle Bearing.....	□ ZN1065.....	1
Misc.....	Fork Pads.....	□ ZM1000.....	1
Misc.....	Fork Pads.....	□ 4167969.....	4
Misc.....	Fork Pads.....	□ 4219073.....	1
Misc.....	LD Transmission Gasket.....	□ GT-243.....	1
Misc.....	O-Ring.....	□ OR-012.....	1
Misc.....	O-Ring.....	□ OR-014.....	2

■ Use Speedi-Sleeves to repair grooved shafts (Not Included)

□ Not Sold Separately

# Transfer Case kit contents—Light Duty

## STCK241-BB

APPLICATION	DESCRIPTION	PART NUMBER	QUANTITY
Input Shaft.....	Ball Bearing.....	6010-NRJ.....	1
Input Shaft.....	Seal.....	19255.....	1
	<i>Speedi-Sleeve</i> .....	■ 99193.....	
Front Output (Frt)/Rr Output (Rr).....	Max Ball Bearing.....	6207-J.....	2
Oil Pump.....	Seal.....	22306.....	1
	<i>Speedi-Sleeve</i> .....	■ 99225.....	
Front Output Shaft.....	Seal.....	18662.....	1
	<i>Speedi-Sleeve</i> .....	■ 99187.....	
Rear Output Shaft.....	Seal.....	18992.....	1
Front Output Shaft (Rr).....	Needle Bearing.....	B2416.....	1
Drive Sprocket.....	Needle Bearing Assembly.....	B5020.....	2
Yoke.....	Washer.....	□ GTK-205STAR.....	1
Oil Pump.....	O-Ring.....	□ OR-109.....	1
Shift Shaft.....	O-Ring.....	□ OR-116.....	1
Planetary Thrust.....	Washer.....	□ ZM1001.....	2
Input Shaft Pilot.....	Needle Bearing.....	□ ZN1065.....	1
Misc.....	Fork Pads.....	□ ZM1000.....	1
Misc.....	Fork Pads.....	□ 4167969.....	4
Misc.....	Fork Pads.....	□ 4219073.....	1
Misc.....	LD Transmission Gasket.....	□ GT-243.....	1
Misc.....	O-Ring.....	□ OR-012.....	1
Misc.....	O-Ring.....	□ OR-014.....	2

## STCK241-CC

APPLICATION	DESCRIPTION	PART NUMBER	QUANTITY
Input Shaft.....	Seal.....	19255.....	1
	<i>Speedi-Sleeve</i> .....	■ 99193.....	
Front Output (Frt)/Rr Output (Rr).....	Max Ball Bearing.....	6207-J.....	2
Oil Pump.....	Seal.....	22306.....	1
	<i>Speedi-Sleeve</i> .....	■ 99225.....	
Front Output Shaft/Rr Output Shaft.....	Seal.....	18662.....	2
	<i>Speedi-Sleeve</i> .....	■ 99187.....	
Rear Output Shaft.....	Seal.....	18992.....	1
Front Output Shaft (Rr).....	Needle Bearing.....	B2416.....	1
Drive Sprocket.....	Needle Bearing Assembly.....	B5020.....	2
Input Shaft.....	Ball Bearing.....	5210-ANRX.....	1
Yoke.....	Washer.....	□ GTK-205STAR.....	1
Oil Pump.....	O-Ring.....	□ OR-109.....	1
Shift Shaft.....	O-Ring.....	□ OR-116.....	1
Planetary Thrust.....	Washer.....	□ ZM1001.....	2
Input Shaft Pilot.....	Needle Bearing.....	□ ZN1174.....	1
Misc.....	Fork Pads.....	□ ZM1000.....	1
Misc.....	Fork Pads.....	□ 4167969.....	4
Misc.....	Fork Pads.....	□ 4219073.....	1
Misc.....	LD Transmission Gasket.....	□ GT-243.....	1
Misc.....	O-Ring.....	□ OR-012.....	1
Misc.....	O-Ring.....	□ OR-014.....	2

■ Use Speedi-Sleeves to repair grooved shafts (Not Included)

□ Not Sold Separately



# Transfer Case kit contents—Light Duty

## STCK241-DD

APPLICATION	DESCRIPTION	PART NUMBER	QUANTITY
Input Shaft.....	Seal.....	19255.....	1
	<i>Speedi-Sleeve</i> .....	■ 99193.....	
Front Output Shaft (Fr).....	Max Ball Bearing.....	6207-J.....	1
Oil Pump.....	Seal.....	22306.....	1
	<i>Speedi-Sleeve</i> .....	■ 99225.....	
Front Output Shaft.....	Seal.....	18662.....	1
	<i>Speedi-Sleeve</i> .....	■ 99187.....	
Rear Output Shaft.....	Seal.....	22029.....	1
Front Output Shaft (Rr).....	Needle Bearing.....	B2416.....	1
Drive Sprocket.....	Needle Bearing Assembly.....	B5020.....	2
Rear Output Shaft (Rr).....	Ball Bearing.....	□ BB1-1015.....	1
Input Shaft.....	Ball Bearing.....	5210-ANRX.....	1
Yoke.....	Washer.....	□ GTK-205STAR.....	1
Oil Pump.....	O-Ring.....	□ OR-109.....	1
Shift Shaft.....	O-Ring.....	□ OR-116.....	1
Planetary Thrust.....	Washer.....	□ ZM1001.....	2
Input Shaft Pilot.....	Needle Bearing.....	□ ZN1174.....	1
Misc.....	Fork Pads.....	□ ZM1000.....	1
Misc.....	Fork Pads.....	□ 4167969.....	4
Misc.....	Fork Pads.....	□ 4219073.....	1
Misc.....	Needle Bearing.....	□ B3612.....	1
Misc.....	LD Transmission Gasket.....	□ GT-243.....	1
Misc.....	O-Ring.....	□ OR-012.....	1
Misc.....	O-Ring.....	□ OR-014.....	2

## STCK241-EE

APPLICATION	DESCRIPTION	PART NUMBER	QUANTITY
Input Shaft.....	Ball Bearing.....	6010-NRJ.....	1
Input Shaft.....	Seal.....	19255.....	1
	<i>Speedi-Sleeve</i> .....	■ 99193.....	
Front Output (Fr)/Rr Output (Rr).....	Max Ball Bearing.....	6207-J.....	2
Oil Pump.....	Seal.....	22306.....	1
	<i>Speedi-Sleeve</i> .....	■ 99225.....	
Front Output Shaft.....	Seal.....	18662.....	1
	<i>Speedi-Sleeve</i> .....	■ 99187.....	
Rear Output Shaft.....	Seal.....	18992.....	1
Front Output Shaft (Rr).....	Needle Bearing.....	B2416.....	1
Drive Sprocket.....	Needle Bearing Assembly.....	B5020.....	2
Yoke.....	Washer.....	□ GTK-205STAR.....	1
Oil Pump.....	O-Ring.....	□ OR-109.....	1
Shift Shaft.....	O-Ring.....	□ OR-116.....	1
Planetary Thrust.....	Washer.....	□ ZM1001.....	2
Input Shaft Pilot.....	Needle Bearing.....	□ ZN1174.....	1
Misc.....	Fork Pads.....	□ ZM1000.....	1
Misc.....	Fork Pads.....	□ 4167969.....	4
Misc.....	Fork Pads.....	□ 4219073.....	1
Misc.....	LD Transmission Gasket.....	□ GT-243.....	1
Misc.....	O-Ring.....	□ OR-012.....	1
Misc.....	O-Ring.....	□ OR-014.....	2

■ Use Speedi-Sleeves to repair grooved shafts (Not Included)

□ Not Sold Separately

# Transfer Case kit contents—Light Duty

## STCK241-FF

APPLICATION	DESCRIPTION	PART NUMBER	QUANTITY
Input Shaft.....	Ball Bearing.....	6010-NRJ.....	1
Input Shaft.....	Seal.....	19255.....	1
	<i>Speedi-Sleeve</i> .....	■ 99193.....	
Front Output Shaft (Frt).....	Max Ball Bearing.....	6207-J.....	1
Oil Pump.....	Seal.....	22306.....	1
	<i>Speedi-Sleeve</i> .....	■ 99225.....	
Front Output Shaft.....	Seal.....	18662.....	1
	<i>Speedi-Sleeve</i> .....	■ 99187.....	
Rear Output Shaft.....	Seal.....	22029.....	1
Front Output Shaft (Rr).....	Needle Bearing.....	B2416.....	1
Drive Sprocket.....	Needle Bearing Assembly.....	B5020.....	2
Rear Output Shaft (Rr).....	Ball Bearing.....	□ BB1-1015.....	1
Yoke.....	Washer.....	□ GTK-205STAR.....	1
Oil Pump.....	O-Ring.....	□ OR-109.....	1
Shift Shaft.....	O-Ring.....	□ OR-116.....	1
Planetary Thrust.....	Washer.....	□ ZM1001.....	2
Input Shaft Pilot.....	Needle Bearing.....	□ ZN1174.....	1
Misc.....	Fork Pads.....	□ ZM1000.....	1
Misc.....	Fork Pads.....	□ 4167969.....	4
Misc.....	Fork Pads.....	□ 4219073.....	1
Misc.....	Needle Bearing.....	□ B3612.....	1
Misc.....	LD Transmission Gasket.....	□ GT-243.....	1
Misc.....	O-Ring.....	□ OR-012.....	1
Misc.....	O-Ring.....	□ OR-014.....	2

## STCK242

APPLICATION	DESCRIPTION	PART NUMBER	QUANTITY
Input Shaft.....	Seal.....	19255.....	1
	<i>Speedi-Sleeve</i> .....	■ 99193.....	
Rear Output Shaft (Rr).....	Ball Bearing.....	6206-NRJ.....	1
Front Output Shaft (Frt).....	Max Ball Bearing.....	6207-J.....	1
Oil Pump.....	Seal.....	22306.....	1
	<i>Speedi-Sleeve</i> .....	■ 99225.....	
Front Output Shaft.....	Seal.....	18662.....	1
	<i>Speedi-Sleeve</i> .....	■ 99187.....	
Rear Output Shaft.....	Seal.....	15041.....	1
	<i>Speedi-Sleeve</i> .....	■ 99149.....	
Front Output Shaft (Rr).....	Needle Bearing.....	B2416.....	1
Input Shaft.....	Ball Bearing.....	5210-ANRX.....	1
Yoke.....	Washer.....	□ GTK-205STAR.....	1
Oil Pump.....	O-Ring.....	□ OR-109.....	1
Shift Shaft.....	O-Ring.....	□ OR-116.....	1
Drive Sprocket.....	Needle Bearing.....	□ Q8308.....	1
Planetary Thrust.....	Washer.....	□ ZM1001.....	2
Input Shaft Pilot.....	Needle Bearing.....	□ ZN1065.....	1
Misc.....	Fork Pads.....	□ ZM1000.....	1
Misc.....	Fork Pads.....	□ 4167969.....	4
Misc.....	Fork Pads.....	□ 4167970.....	1
Misc.....	LD Transmission Gasket.....	□ GT-243.....	1
Misc.....	O-Ring.....	□ OR-014.....	2

■ Use Speedi-Sleeves to repair grooved shafts (Not Included)

□ Not Sold Separately

# Transfer Case kit contents—Light Duty

## STCK242-AA

APPLICATION	DESCRIPTION	PART NUMBER	QUANTITY
Input Shaft.....	Seal.....	19255.....	1
	<i>Speedi-Sleeve</i> .....	■ 99193.....	
Rear Output Shaft (Rr).....	Ball Bearing.....	6206-NRJ.....	1
Front Output Shaft (Frnt).....	Ball Bearing.....	6207-NRJ.....	1
Oil Pump.....	Seal.....	22306.....	1
	<i>Speedi-Sleeve</i> .....	■ 99225.....	
Rear Output Shaft.....	Seal.....	18994.....	1
Rear Output Shaft.....	Seal.....	15041.....	1
	<i>Speedi-Sleeve</i> .....	■ 99149.....	
Front Output Shaft (Rr).....	Needle Bearing.....	B2416.....	1
Input Shaft.....	Ball Bearing.....	5210-ANRX.....	1
Yoke.....	Washer.....	□ GTK-205STAR.....	1
Oil Pump.....	O-Ring.....	□ OR-108.....	1
Oil Pump.....	O-Ring.....	□ OR-109.....	1
Shift Shaft.....	O-Ring.....	□ OR-116.....	1
Drive Sprocket.....	Needle Bearing.....	□ Q8308.....	1
Rear Output Shaft.....	Seal.....	18507.....	1
Planetary Thrust.....	Washer.....	□ ZM1001.....	2
Input Shaft Pilot.....	Needle Bearing.....	□ ZN1065.....	1
Misc.....	Fork Pads.....	□ ZM1000.....	1
Misc.....	Fork Pads.....	□ 4167969.....	4
Misc.....	Fork Pads.....	□ 4167970.....	1
Misc.....	LD Transmission Gasket.....	□ GT-243.....	1
Misc.....	O-Ring.....	□ OR-014.....	2

■ Use Speedi-Sleeves to repair grooved shafts (Not Included)

□ Not Sold Separately

# Transfer Case kit contents—Light Duty

## STCK242-BB

APPLICATION	DESCRIPTION	PART NUMBER	QUANTITY
Input Shaft.....	Ball Bearing.....	6010-NRJ.....	1
Front Output Shaft.....	Seal.....	18758.....	1
Input Shaft.....	Seal.....	19255.....	1
	<i>Speedi-Sleeve</i> .....	■ 99193	
Rear Output Shaft (Rr).....	Ball Bearing.....	6206-NRJ.....	1
Front Output Shaft (Frt).....	Max Ball Bearing.....	6207-J.....	1
Oil Pump .....	Seal.....	22306.....	1
	<i>Speedi-Sleeve</i> .....	■ 99225	
Front Output Shaft.....	Seal.....	18662.....	1
	<i>Speedi-Sleeve</i> .....	■ 99187	
Shift Shaft.....	Seal.....	7410.....	1
	<i>Speedi-Sleeve</i> .....	■ 99076	
Rear Output Shaft.....	Seal.....	15041.....	1
	<i>Speedi-Sleeve</i> .....	■ 99149	
Front Output Shaft (Rear).....	Needle Bearing .....	B2416 .....	1
Yoke.....	Washer .....	□ GTK-205STAR.....	1
Shift Shaft.....	Needle Bearing .....	□ J1212.....	1
Rear Output Shaft.....	Seal.....	□ NV19129.....	1
Oil Pump .....	O-Ring.....	□ OR-109.....	1
Shift Shaft.....	O-Ring.....	□ OR-116.....	1
Drive Sprocket.....	Needle Bearing .....	□ Q8308.....	1
Planetary Thrust .....	Washer .....	□ ZM1001.....	2
Input Shaft Pilot.....	Needle Bearing .....	□ ZN1065.....	1
Misc.....	Fork Pads .....	□ ZM1000.....	1
Misc.....	Fork Pads .....	□ 4167969.....	4
Misc.....	Fork Pads .....	□ 4167970.....	1
Misc.....	LD Transmission Gasket.....	□ GT-243.....	1
Misc.....	O-Ring.....	□ OR-014.....	2

■ Use Speedi-Sleeves to repair grooved shafts (Not Included)

□ Not Sold Separately

# Transfer Case kit contents—Light Duty

## STCK242-CC

APPLICATION	DESCRIPTION	PART NUMBER	QUANTITY
Input Shaft.....	Ball Bearing.....	6010-NRJ.....	1
Front Output Shaft.....	Seal.....	18758.....	1
Input Shaft.....	Seal.....	19255.....	1
	<i>Speedi-Sleeve</i> .....	■ 99193.....	
Front Output Shaft (Frnt).....	Max Ball Bearing.....	6207-J.....	1
Oil Pump.....	Seal.....	22306.....	1
	<i>Speedi-Sleeve</i> .....	■ 99225.....	
Shift Shaft.....	Seal.....	7410.....	1
	<i>Speedi-Sleeve</i> .....	■ 99076.....	
Front Output Shaft (Rr).....	Needle Bearing.....	B2416.....	1
Rear Output Shaft (Rr).....	Ball Bearing.....	□ BB1-1015.....	1
Yoke.....	Washer.....	□ GTK-205STAR.....	1
Shift Shaft.....	Needle Bearing.....	□ J1212.....	1
Rear Output Shaft.....	Seal.....	□ NV30138.....	1
Oil Pump.....	O-Ring.....	□ OR-109.....	1
Shift Shaft.....	O-Ring.....	□ OR-116.....	1
Drive Sprocket.....	Needle Bearing.....	□ Q8308.....	1
Planetary Thrust.....	Washer.....	□ ZM1001.....	2
Input Shaft Pilot.....	Needle Bearing.....	□ ZN1065.....	1
Misc.....	Fork Pads.....	□ ZM1000.....	1
Misc.....	Fork Pads.....	□ 4167969.....	4
Misc.....	Fork Pads.....	□ 4167970.....	1
Misc.....	LD Transmission Gasket.....	□ GT-243.....	1
Misc.....	O-Ring.....	□ OR-014.....	2

■ Use Speedi-Sleeves to repair grooved shafts (Not Included)

□ Not Sold Separately

# Transfer Case kit contents—Light Duty

## STCK242-DD

APPLICATION	DESCRIPTION	PART NUMBER	QUANTITY
Input Shaft.....	Ball Bearing.....	6010-NRJ.....	1
Front Output Shaft.....	Seal.....	18758.....	1
Input Shaft.....	Seal.....	19255.....	1
	<i>Speedi-Sleeve</i> .....	■ 99193	
Front Output (Frt)/Rr Output (Rr).....	Max Ball Bearing.....	6207-J.....	2
Oil Pump.....	Seal.....	22306.....	1
	<i>Speedi-Sleeve</i> .....	■ 99225	
Rear Output Shaft.....	Seal.....	15440.....	1
	<i>Speedi-Sleeve</i> .....	■ 99155	
Shift Shaft.....	Seal.....	7410.....	1
	<i>Speedi-Sleeve</i> .....	■ 99076	
Front Output Shaft (Rr).....	Needle Bearing.....	B2416.....	1
Yoke.....	Washer.....	□ GTK-205STAR.....	1
Shift Shaft.....	Needle Bearing.....	□ J1212.....	1
Rear Output Shaft.....	Seal.....	□ NV22507.....	1
Oil Pump.....	O-Ring.....	□ OR-109.....	1
Shift Shaft.....	O-Ring.....	□ OR-116.....	1
Drive Sprocket.....	Needle Bearing.....	□ Q8308.....	1
Planetary Thrust.....	Washer.....	□ ZM1001.....	2
Input Shaft Pilot.....	Needle Bearing.....	□ ZN1065.....	1
Misc.....	Fork Pads.....	□ ZM1000.....	1
Misc.....	Fork Pads.....	□ 4167969.....	4
Misc.....	Fork Pads.....	□ 4167970.....	1
Misc.....	LD Transmission Gasket.....	□ GT-243.....	1
Misc.....	O-Ring.....	□ OR-014.....	2

## STCK242-EE

APPLICATION	DESCRIPTION	PART NUMBER	QUANTITY
Front Output/Rear Output.....	Seal.....	18758.....	2
Input Shaft.....	Seal.....	19255.....	1
	<i>Speedi-Sleeve</i> .....	■ 99193	
Front Output (Frt)/Rr Output (Rr).....	Ball Bearing.....	6207-J.....	2
Oil Pump.....	Seal.....	22306.....	1
	<i>Speedi-Sleeve</i> .....	■ 99225	
Shift Shaft.....	Seal.....	7410.....	1
	<i>Speedi-Sleeve</i> .....	■ 99076	
Front Output Shaft (Rr).....	Needle Bearing.....	B2416.....	1
Input Shaft.....	Ball Bearing.....	5210-ANRX.....	1
Yoke.....	Washer.....	□ GTK-205STAR.....	1
Shift Shaft.....	Needle Bearing.....	□ J1212.....	1
Rear Output Shaft.....	Seal.....	□ NV22507.....	1
Oil Pump.....	O-Ring.....	□ OR-109.....	1
Shift Shaft.....	O-Ring.....	□ OR-116.....	1
Drive Sprocket.....	Needle Bearing.....	□ Q8308.....	1
Planetary Thrust.....	Washer.....	□ ZM1001.....	2
Input Shaft Pilot.....	Needle Bearing.....	□ ZN1065.....	1
Misc.....	Fork Pads.....	□ ZM1000.....	1
Misc.....	Fork Pads.....	□ 4167969.....	4
Misc.....	Fork Pads.....	□ 4167970.....	1
Misc.....	LD Transmission Gasket.....	□ GT-243.....	1
Misc.....	O-Ring.....	□ OR-014.....	2

■ Use Speedi-Sleeves to repair grooved shafts (Not Included)

□ Not Sold Separately

# Transfer Case kit contents—Light Duty

## STCK246

APPLICATION	DESCRIPTION	PART NUMBER	QUANTITY
Input/Front Output Shaft (Frt)	Ball Bearing	6010-J	2
Rear Output Shaft (Center)	Ball Bearing	6011-J	1
Oil Pump	Seal	22306	1
	<i>Speedi-Sleeve</i>	■ 99225	
Front Output Shaft (Rr)	Needle Bearing Assembly	B5020	1
Input Shaft	Seal	□ NV22441	1
Rear Output Shaft	Seal	□ NV22507	1
Front Output Shaft	Seal	□ NV30138	1
Oil Pump	O-Ring	□ OR-109	1
Shift Shaft	O-Ring	□ OR-116	1
Rear Output Shaft (Rr)	Ball Bearing	□ ZB1055	1
Planetary Thrust	Washer	□ ZM1001	2
Input Shaft Pilot	Needle Bearing	□ ZN1065	1
Clutch Housing	Needle Bearing	□ ZN1146	1
Shift Shaft	Needle Bearing	□ ZN1147	1
Misc	Fork Pads	□ ZM1000	1
Misc	Fork Pads	□ 4167969	2
Misc	LD Transmission Gasket	□ GT-243	1
Misc	O-Ring	□ OR-015	1

## STCK247

APPLICATION	DESCRIPTION	PART NUMBER	QUANTITY
Input Shaft	Ball Bearing	6010-NRJ	1
Front Output Shaft	Seal	18758	1
Input Shaft	Seal	19255	1
	<i>Speedi-Sleeve</i>	■ 99193	
Rear Output Shaft (Rr)	Ball Bearing	6206-NRJ	1
Front Output Shaft (Frt)	Max Ball Bearing	6207-J	1
Oil Pump	Seal	22306	1
	<i>Speedi-Sleeve</i>	■ 99225	
Front Output Shaft (Rr)	Needle Bearing	B2416	1
Rear Output Shaft	Seal	15023	1
Pick-Up Tube	O-Ring	□ OR-013	1
Shift Detent	O-Ring	□ OR-014	1
Oil Pump	O-Ring	□ OR-109	1
Shift Shaft	O-Ring	□ OR-116	1
Drive Sprocket	Needle Bearing	□ Q8308	1
Planetary Thrust	Washer	□ ZM1001	2
Input Shaft Pilot	Needle Bearing	□ ZN1065	1
Misc	LD Transmission Gasket	□ GT-243	1

■ Use Speedi-Sleeves to repair grooved shafts (Not Included)

□ Not Sold Separately

## Transfer Case kit contents—Light Duty

## STCK261

APPLICATION	DESCRIPTION	PART NUMBER	QUANTITY
Input/Front Output Shaft (Frt) .....	Ball Bearing .....	6010-J .....	2
Rear Output Shaft (Rr) .....	Ball Bearing .....	6208-NRJ .....	1
Shift Shaft .....	Seal .....	7410 .....	1
	<i>Speedi-Sleeve</i> .....	■ 99076	
Shift Detent .....	Needle Bearing .....	□ B126 .....	1
Front Output Shaft (Rr) .....	Needle Bearing Assembly .....	B5020 .....	1
Yoke .....	Washer .....	□ GTK-205STAR .....	1
Input Shaft .....	Seal .....	□ NV22441 .....	1
Rear Output Shaft .....	Seal .....	□ NV22507 .....	1
Front Output Shaft .....	Seal .....	□ NV30138 .....	1
Pick-Up Tube .....	O-Ring .....	□ OR-012 .....	1
Shift Detent .....	O-Ring .....	□ OR-015 .....	2
Oil Pump .....	O-Ring .....	□ OR-109 .....	1
Shift Shaft & VSS .....	O-Ring .....	□ OR-116 .....	2
Oil Pump .....	O-Ring .....	□ OR-220 .....	1
Planetary Thrust .....	Washer .....	□ ZM1001 .....	2
Input Shaft Pilot .....	Needle Bearing .....	□ ZN1174 .....	1
Misc .....	LD Transmission Gasket .....	□ GT-243 .....	1

## STCK261-AA

APPLICATION	DESCRIPTION	PART NUMBER	QUANTITY
Front Outer Shaft (Frt) .....	Ball Bearing .....	6010-J .....	2
Rear Output Shaft .....	Seal .....	22029 .....	1
Shift Shaft .....	Seal .....	7410 .....	1
	<i>Speedi-Sleeve</i> .....	■ 99076	
Shift Detent .....	Needle Bearing .....	□ B126 .....	1
Front Output Shaft (Rr) .....	Needle Bearing Assembly .....	B5020 .....	1
Yoke .....	Washer .....	□ GTK-205STAR .....	1
Input Shaft .....	Seal .....	□ NV22441 .....	1
Front Output Shaft .....	Seal .....	□ NV30138 .....	1
Pick-Up Tube .....	O-Ring .....	□ OR-012 .....	1
Shift Detent .....	O-Ring .....	□ OR-015 .....	2
Oil Pump .....	O-Ring .....	□ OR-109 .....	1
Shift Shaft & VSS .....	O-Ring .....	□ OR-116 .....	2
Oil Pump .....	O-Ring .....	□ OR-220 .....	1
Rear Output Shaft (Rr) .....	Ball Bearing .....	□ ZB1151 .....	1
Planetary Thrust .....	Washer .....	□ ZM1001 .....	2
Input Shaft Pilot .....	Needle Bearing .....	□ ZN1174 .....	1
Misc .....	LD Transmission Gasket .....	□ GT-243 .....	1

■ Use Speedi-Sleeves to repair grooved shafts (Not Included)

□ Not Sold Separately



# Transfer Case kit contents—Light Duty

## STCK261-BB

APPLICATION	DESCRIPTION	PART NUMBER	QUANTITY
Front Output Shaft (Frnt).....	Ball Bearing.....	6010-J.....	1
Rear Output Shaft.....	Seal.....	22029.....	1
Shift Shaft.....	Seal.....	7410.....	1
	<i>Speedi-Sleeve</i> .....	■ 99076.....	
Shift Detent.....	Needle Bearing.....	□ B126.....	1
Front Output Shaft (Rr).....	Needle Bearing Assembly.....	B5020.....	1
Input Shaft.....	Ball Bearing.....	□ 5210-ANRX.....	1
Yoke.....	Washer.....	□ GTK-205STAR.....	1
Input Shaft.....	Seal.....	□ NV22441.....	1
Front Output Shaft.....	Seal.....	□ NV30138.....	1
Pick-Up Tube.....	O-Ring.....	□ OR-012.....	1
Shift Detent.....	O-Ring.....	□ OR-015.....	2
Oil Pump.....	O-Ring.....	□ OR-109.....	1
Shift Shaft & VSS.....	O-Ring.....	□ OR-116.....	2
Oil Pump.....	O-Ring.....	□ OR-220.....	1
Rear Output Shaft (Rr).....	Ball Bearing.....	□ ZB1151.....	1
Planetary Thrust.....	Washer.....	□ ZM1001.....	2
Input Shaft Pilot.....	Needle Bearing.....	□ ZN1174.....	1
Misc.....	LD Transmission Gasket.....	□ GT-243.....	1

## STCK271

APPLICATION	DESCRIPTION	PART NUMBER	QUANTITY
Front Output Shaft (Frnt).....	Ball Bearing.....	6011-J.....	1
Input Shaft.....	Ball Bearing.....	6211-J.....	1
Rear Output Shaft (Rr).....	Ball Bearing.....	6212-ZNBRJ.....	1
Oil Pump.....	Seal.....	22306.....	1
	<i>Speedi-Sleeve</i> .....	■ 99225.....	
Front Output Shaft (Rr).....	Needle Bearing.....	B2416.....	1
Extension Housing.....	Needle Bearing.....	□ B3416.....	1
Input Shaft Pilot.....	Needle Bearing.....	□ NV24260.....	1
Front Output Shaft.....	Seal.....	21241.....	2
Input Shaft.....	Seal.....	21239.....	1
Oil Pump.....	O-Ring.....	□ OR-109.....	1
Shift Shaft.....	O-Ring.....	□ OR-116.....	1
Planetary Thrust.....	Washer.....	□ ZM1001.....	2
Misc.....	Fork Pads.....	□ ZM1000.....	1
Misc.....	Fork Pads.....	□ 4167969.....	4
Misc.....	Fork Pads.....	□ 4219073.....	1
Misc.....	LD Transmission Gasket.....	□ GTC-NP1.....	1

■ Use Speedi-Sleeves to repair grooved shafts (Not Included)

□ Not Sold Separately

# Transfer Case kit contents—Light Duty

## STCK271-AA

APPLICATION	DESCRIPTION	PART NUMBER	QUANTITY
Front Output Shaft (Frt).....	Ball Bearing.....	6011-J.....	1
Input Shaft.....	Ball Bearing.....	6211-J.....	1
Rear Output Shaft (Rr).....	Ball Bearing.....	6212-ZNBRJ.....	1
Oil Pump.....	Seal.....	22306.....	1
	<i>Speedi-Sleeve</i> .....	■ 99225.....	
Front Output Shaft (Rr).....	Needle Bearing.....	B2416.....	1
Extension Housing.....	Needle Bearing.....	□ B3416.....	1
Input Shaft Pilot.....	Needle Bearing.....	□ NV24260.....	1
Front Output Shaft.....	Seal.....	21241.....	1
Input Shaft.....	Seal.....	21239.....	1
Rear Output Shaft.....	Seal.....	23300.....	1
	<i>Speedi-Sleeve</i> .....	■ 99233.....	
Oil Pump.....	O-Ring.....	□ OR-109.....	1
Shift Shaft.....	O-Ring.....	□ OR-116.....	1
Planetary Thrust.....	Washer.....	□ ZM1001.....	2
Misc.....	Fork Pads.....	□ 4167969.....	4
Misc.....	Fork Pads.....	□ 4219073.....	1
Misc.....	Fork Insert.....	□ ZM1048.....	2
Misc.....	LD Transmission Gasket.....	□ GTC-NP1.....	1

## STCK300

APPLICATION	DESCRIPTION	PART NUMBER	QUANTITY
Rear Output Shaft (Rr).....	Tapered Roller Bearing (Cup).....	BR15245.....	1
Rear Output Shaft (Rr).....	Tapered Roller Bearing (Cone).....	BR15117.....	1
Input Shaft.....	Ball Bearing.....	6209-NRJ.....	1
Rear Output Shaft (Frt).....	Tapered Roller Bearing (Cup).....	BR25821.....	1
Rear Output Shaft (Frt).....	Tapered Roller Bearing (Cone).....	BR25877.....	1
Rear Output Shaft Pilot.....	Needle Bearing Assembly.....	JH1612.....	1
Front Output Shaft (Frt/Rr).....	Tapered Roller Bearing (Cup).....	M86610.....	2
Front Output Shaft (Frt/Rr).....	Tapered Roller Bearing (Cone).....	M86649.....	2
Intermediate Shaft.....	Needle Bearing.....	□ Q13367.....	1
Misc.....	LD Transfer Case Seal & Gasket Kit.....	□ DTK-300.....	1

## STCK1345

APPLICATION	DESCRIPTION	PART NUMBER	QUANTITY
Front Output (Frt)/Rear Output (Rr).....	Ball Bearing.....	6207-J.....	2
Front Output Shaft.....	Seal.....	18662.....	1
	<i>Speedi-Sleeve</i> .....	■ 99187.....	
Input Shaft.....	Seal.....	17502.....	1
	<i>Speedi-Sleeve</i> .....	■ 99174.....	
Rear Output Shaft.....	Seal.....	18994.....	1
Pilot.....	Bushing.....	□ AA1512-12.....	1
Front Output Shaft (Rear).....	Needle Bearing.....	B2012.....	1
Rear Output Shaft (Front).....	Needle Bearing Assembly.....	B2812.....	1
Yoke.....	Washer.....	□ ZM1023.....	2
Misc.....	LD Transmission Gasket.....	□ GTC-NP1.....	1
Misc.....	O-Ring.....	□ OR-111.....	1
Misc.....	Fork Pads.....	□ 1345-235-001.....	4

■ Use Speedi-Sleeves to repair grooved shafts (Not Included)

□ Not Sold Separately

# Transfer Case kit contents—Light Duty

## STCK1354

APPLICATION	DESCRIPTION	PART NUMBER	QUANTITY
Input Shaft.....	Ball Bearing.....	6009-NRJ.....	1
Front Output (Frt)/Rear Output.....	Ball Bearing.....	6206-NRJ.....	2
Shift Rail.....	Seal.....	3687.....	1
Input/Front Output/Rear Output.....	Seal.....	16043.....	3
	<i>Speedi-Sleeve</i> .....	■ 99163.....	
Input Shaft Pilot.....	Bushing.....	□ AA1512-12.....	1
Rear Output Shaft (Rear).....	Needle Bearing Assembly.....	JH1612.....	1
Input Shaft Pilot.....	Needle Bearing.....	□ M18161.....	1
Magnetic Sensor.....	O-Ring.....	□ OR-014.....	1
Shift Shaft.....	O-Ring.....	□ OR-111.....	1
Yoke.....	Washer.....	□ ZM1043.....	2
Mode & Range.....	Fork Pads.....	□ 1356-235-001.....	4
Misc.....	Gasket Set.....	□ GT-1350.....	1

## STCK1356

APPLICATION	DESCRIPTION	PART NUMBER	QUANTITY
Input Shaft.....	Ball Bearing.....	6010-J.....	1
Front Output/Rear Output.....	Ball Bearing.....	6207-J.....	2
Shift Shaft (Electric Shift).....	Seal.....	3687.....	1
Input/Frt Output/Rr Output (Fixed Yoke).....	Seal.....	18994.....	3
Shift Shaft (Manual Shift).....	Seal.....	6130.....	1
	<i>Speedi-Sleeve</i> .....	■ 99062.....	
Input Shaft Pilot.....	Bushing.....	□ AA1512-12.....	1
Front Output Shaft (Rear).....	Needle Bearing.....	B2012.....	1
Mainshaft Pilot.....	Needle Bearing.....	□ BK3026.....	1
PTO.....	Gasket.....	□ GT-PT055.....	1
Magnetic Sensor.....	O-Ring.....	□ OR-014.....	1
Rear Output Shaft (Slip Yoke).....	Seal.....	18507.....	1
Yoke.....	Washer.....	□ ZM1023.....	2
Mode.....	Fork Pads.....	□ 1345-235-001.....	2
Range.....	Fork Pads.....	□ 1356-235-001.....	2
Misc.....	LD Transmission Gasket.....	□ GTC-NP1.....	1

## STCK4405

APPLICATION	DESCRIPTION	PART NUMBER	QUANTITY
Front Output Shaft (Rr).....	Ball Bearing.....	6206-NRJ.....	1
Input Shaft.....	Ball Bearing.....	6209-NRJ.....	1
Front Output (Frt)/Rr Output (Rr).....	Ball Bearing.....	6306-NRJ.....	2
Shift Rail.....	Seal.....	3687.....	1
Input/Front Output/Rear Output.....	Seal.....	16043.....	3
	<i>Speedi-Sleeve</i> .....	■ 99163.....	
Mainshaft Pilot.....	Bushing.....	□ AA1512-12.....	1
Mainshaft Pilot.....	Needle Bearing.....	□ M18161.....	1
Yoke.....	Washer.....	□ ZM1043.....	2
Misc.....	Fork Pads.....	□ 1356-235-001.....	2
Misc.....	Gasket Set.....	□ GT-1350.....	1

■ Use Speedi-Sleeves to repair grooved shafts (Not Included)

□ Not Sold Separately

# Transfer Case kit contents—Light Duty

## STCK4405-AA

APPLICATION	DESCRIPTION	PART NUMBER	QUANTITY
Front Output Shaft (Frt).....	Ball Bearing.....	6206-NRJ.....	1
Front Output Shaft (Rr).....	Max Ball Bearing.....	6207-J.....	1
Input Shaft.....	Ball Bearing.....	6209-NRJ.....	1
Rear Output Shaft (Rr).....	Ball Bearing.....	6306-NRJ.....	1
Shift Rail.....	Seal.....	3687.....	1
Input/Frt Output/Rr Output.....	Seal.....	16043.....	3
	<i>Speedi-Sleeve</i> .....	■ 99163.....	
Mainshaft Pilot.....	Bushing.....	□ AA1512-12.....	1
Mainshaft Pilot.....	Needle Bearing.....	□ M18161.....	1
Yoke.....	Washer.....	□ ZM1043.....	2
Misc.....	Fork Pads.....	□ 1356-235-001.....	2
Misc.....	Gasket Set.....	□ GT-1350.....	1

## STCK4406

APPLICATION	DESCRIPTION	PART NUMBER	QUANTITY
Driveshaft Front.....	Max Ball bearing.....	211-ZNRJ.....	1
Input Shaft.....	Seal.....	18676.....	1
	<i>Speedi-Sleeve</i> .....	■ 99163.....	
Front Output Shaft (Frt/Rr).....	Max Ball Bearing.....	6207-J.....	2
Rear Output Shaft (Rr).....	Ball Bearing.....	6208-J.....	1
Shift Rail.....	Seal.....	3687.....	1
Shift Rail.....	Seal.....	6408.....	1
	<i>Speedi-Sleeve</i> .....	■ 99058.....	
Front Output Shaft.....	Seal.....	18994.....	1
Mainshaft Pilot.....	Needle Bearing.....	□ BK3026.....	1
Planetary Thrust.....	Needle Bearing.....	□ NTA2233.....	1
Planetary Thrust.....	Needle Bearing.....	□ ZN1177.....	1
Rear Output Shaft.....	Seal.....	18507.....	1
Misc.....	Fork Pads.....	□ 1356-235-001.....	2
Misc.....	LD Transmission Gasket.....	□ GTC-NP1.....	1
Misc.....	Bushing.....	□ AA1512-12.....	1

■ Use Speedi-Sleeves to repair grooved shafts (Not Included)

□ Not Sold Separately

## Transfer Case kit contents—Light Duty

### STCK4407

APPLICATION	DESCRIPTION	PART NUMBER	QUANTITY
Front Output Shaft (Rr)	Max Ball Bearing	6207-J	1
Front Output Shaft (Fr)	Ball Bearing	6208-J	1
Rear Output Shaft (Fr)	Ball Bearing	6210-J	1
Input Shaft	Ball Bearing	6211-J	1
Mainshaft Rear	Ball Bearing	6308-NRJ	1
Shift Rail	Seal	6408	1
	<i>Speedi-Sleeve</i>	■ 99058	
Input/Frt Output/Rr Output Shaft	Seal	18994	3
Input Shaft Pilot	Bushing	□ AA1512-12	1
Rear Output Thrust	Needle Bearing	□ NTA2233	1
Yoke	Washer	□ ZM1023	2
Misc	Fork Pads	□ 1356-235-001	2
Misc	LD Transmission Gasket	□ GTC-NP1	1

### STCK4470

APPLICATION	DESCRIPTION	PART NUMBER	QUANTITY
Input Shaft	Ball Bearing	6010-J	1
Front Output Shaft (Fr)	Max Ball Bearing	6207-J	1
Rear Output	Ball Bearing	6208-J	1
Input/Fr Output/Rr Output Shaft	Seal	18994	3
Shift Rail	Seal	6130	1
	<i>Speedi-Sleeve</i>	■ 99062	
Input Shaft Pilot	Bushing	□ AA1512-12	1
Intermediate Pump	Needle Bearing	□ B3012	1
Input Shaft Pilot	Needle Bearing	□ B3026	1
PTO	Gasket PTO	□ GT-PT055	1
Front Output Shaft (Rr)	Cylindrical Bearing	□ RNU204	1
Yoke	Washer	□ ZM1023	2
Misc	Fork Pads	□ 1356-235-001	4
Misc	LD Transmission Gasket	□ GTC-NP1	1

■ Use Speedi-Sleeves to repair grooved shafts (Not Included)

□ Not Sold Separately

## Transmission kit contents—Light Duty

### STK50

APPLICATION	DESCRIPTION	PART NUMBER	QUANTITY
Input Shaft.....	Seal.....	11592.....	1
	<i>Speedi-Sleeve</i> .....	■ 99114.....	
Mainshaft Rear.....	Ball Bearing.....	6206-2RSJ.....	1
Output Shaft (4 W/D).....	Seal.....	13907.....	1
	<i>Speedi-Sleeve</i> .....	■ 99139.....	
Output Shaft (2 W/D).....	Seal.....	13685.....	1
	<i>Speedi-Sleeve</i> .....	■ 99138.....	
Front Center Cluster.....	Tapered Roller Bearing (Cone/Cup).....	BR30205.....	2
Misc.....	LD Transmission Gasket.....	□ GT-50.....	1
Mainshaft (Front).....	Ball Bearing.....	□ ZB1052.....	1
Countershaft (Rear).....	Ball Bearing.....	□ ZB1062.....	1
Input Shaft.....	Ball Bearing.....	□ ZB1085.....	1
Mainshaft Pilot.....	Needle Bearing.....	□ ZN1043.....	1

### STK82-F

APPLICATION	DESCRIPTION	PART NUMBER	QUANTITY
Output Shaft.....	Ball Bearing.....	308-NRJ.....	1
Output Shaft.....	Seal (Diesel).....	21210.....	1
	<i>Speedi-Sleeve</i> .....	■ 99212.....	
Output Shaft.....	Seal (Gas & 3.256" O.D.).....	24910.....	1
	<i>Speedi-Sleeve</i> .....	■ 99250.....	
Output Shaft.....	Seal (Gas & 2.879" O.D.).....	15773.....	1
	<i>Speedi-Sleeve</i> .....	■ 99156.....	
Output Shaft.....	Seal (Gas & 2.378" O.D.).....	15005.....	1
	<i>Speedi-Sleeve</i> .....	■ 99149.....	
Input Shaft.....	Ball Bearing.....	□ DTP308-L1.....	1
Input Shaft.....	Loose Needle Bearings.....	C436-Q.....	22
Input Shaft.....	Seal.....	12363.....	1
	<i>Speedi-Sleeve</i> .....	■ 99125.....	
Reverse Idler.....	Loose Needle Bearings.....	B1316-Q.....	74
Countershaft Front.....	Loose Needle Bearings.....	C436-Q.....	44
Countershaft Rear.....	Loose Needle Bearings.....	C436-Q.....	44
Misc.....	Transmission Gasket Set.....	□ GT-82D.....	1

■ Use Speedi-Sleeves to repair grooved shafts (Not Included)

□ Not Sold Separately

## Transmission kit contents—Light Duty

## STK127

APPLICATION	DESCRIPTION	PART NUMBER	QUANTITY
Output Shaft.....	Max Ball Bearing.....	308-NRJ.....	1
Output Shaft (w/Ford).....	Seal.....	24898.....	1
	<i>Speedi-Sleeve</i> .....	■ 99250.....	
Output Shaft.....	Seal.....	● 21302.....	1
	<i>Speedi-Sleeve</i> .....	■ 99212.....	
Input Shaft.....	Tapered Roller Bearing (Cone/Cup).....	HM88649/HM88610.....	1
Input Shaft.....	Seal (1.5" Shaft).....	15005.....	1
	<i>Speedi-Sleeve</i> .....	■ 99149.....	
Input Shaft.....	Seal (1.25" Shaft).....	● 12340.....	1
Input Shaft (Exc. Ford).....	Seal.....	21100.....	1
	<i>Speedi-Sleeve</i> .....	■ 99212.....	
Input Shaft.....	Seal (1.375" Shaft).....	13557.....	1
	<i>Speedi-Sleeve</i> .....	■ 99138.....	
Input Shaft Pilot.....	Loose Needle Bearings.....	□ Q15902-F.....	14
Syncro Hub Thrust (3rd & 4th Gears).....	Needle Bearing Assembly.....	FA35688.....	1
Countershaft Rear.....	Needle Bearing Assembly.....	B3216.....	1
Countershaft Front.....	Needle Bearing Assembly.....	M24161-X1.....	1
Countershaft Rear Thrust.....	Needle Bearing Assembly.....	NTA2031.....	1
Reverse Idler.....	Loose Needle Bearings.....	● C407-Q.....	104
Remote Control.....	Seal.....	● 7439.....	1
Misc.....	Transmission Gasket Set.....	□ GT-127.....	1

## STK127-G

APPLICATION	DESCRIPTION	PART NUMBER	QUANTITY
Output Shaft.....	Seal.....	24898.....	1
	<i>Speedi-Sleeve</i> .....	■ 99250.....	
Input/Output Shaft.....	Ball Bearing.....	308-NRJ.....	2
Input Shaft.....	Seal (1.5" Shaft).....	15005.....	1
	<i>Speedi-Sleeve</i> .....	■ 99149.....	
Input Shaft.....	Seal.....	21100.....	1
	<i>Speedi-Sleeve</i> .....	■ 99212.....	
Input Shaft Pilot.....	Loose Needle Bearings.....	□ Q15902-F.....	14
Syncro Hub Thrust (3rd & 4th Gears).....	Needle Thrust Bearing.....	FA35688.....	1
Countershaft Rear.....	Needle Bearing Assembly.....	B3216.....	1
Countershaft Front.....	Needle Bearing Assembly.....	M24161-X1.....	1
Countershaft Rear Thrust.....	Needle Thrust Bearing.....	NTA2031.....	1
Misc.....	Transmission Gasket Set.....	□ GT127.....	1

■ Use Speedi-Sleeves to repair grooved shafts (Not Included)

□ Not Sold Separately

## Transmission kit contents—Light Duty

### STK157

APPLICATION	DESCRIPTION	PART NUMBER	QUANTITY
Output Shaft.....	Seal.....	19970.....	1
	<i>Speedi-Sleeve</i> .....	■ 99199	
Input Shaft.....	Seal.....	16054.....	1
	<i>Speedi-Sleeve</i> .....	■ 99162	
Input Shaft.....	Max Ball Bearing.....	N211-NRJ.....	1
Input Shaft Pilot.....	Loose Needle Bearings.....	QAR34604.....	17
Countershaft Front (1978 & Earlier) .....	Cylindrical Roller Bearing.....	M1305GGTV1.....	1
Countershaft Front (1979 & Later) .....	Cylindrical Roller Bearing.....	R1558-TAV.....	1
Countershaft Rear.....	Max Ball Bearing.....	308-NRJ.....	2
Misc.....	Transmission Gasket Set.....	□ GT-157.....	1

### STK235-B

APPLICATION	DESCRIPTION	PART NUMBER	QUANTITY
Output Shaft (2 W/D) C-Series.....	Seal.....	18546.....	1
	<i>Speedi-Sleeve</i> .....	■ 99187	
Input Shaft.....	Seal.....	13888.....	1
	<i>Speedi-Sleeve</i> .....	■ 99139	
Output Shaft (2 W/D) S-Series.....	Seal.....	14712.....	1
	<i>Speedi-Sleeve</i> .....	■ 99147	
Output Shaft (4 W/D).....	Seal.....	14087.....	1
	<i>Speedi-Sleeve</i> .....	■ 99146	
Misc.....	Small Parts Kit.....	□ SPK-235.....	1
Input Shaft.....	Ball Bearing.....	□ ZB1055.....	2
Mainshaft Pilot.....	Needle Bearing.....	□ ZN1036.....	1
Countershaft (Front).....	Needle Bearing.....	□ ZN1037.....	2

■ Use Speedi-Sleeves to repair grooved shafts (Not Included)

□ Not Sold Separately



## Transmission kit contents—Light Duty

## STK247

APPLICATION	DESCRIPTION	PART NUMBER	QUANTITY
Output Shaft (2 W/D)	Seal	14900	1
Output Shaft (4 W/D)	Seal	11592	1
	<i>Speedi-Sleeve</i>	■ 99114	
Input Shaft	Seal	10640	1
	<i>Speedi-Sleeve</i>	■ 99106	
Mainshaft (Front)	Tapered Roller Bearing	BR30207	1
Countershaft (Rear)	Ball Bearing	6304-NRJ	1
Input Shaft Oil Ring	Seal	□ BZ3541E	1
Top Cover	Gasket	□ GT-247R	1
Top Cover	Pins	□ M50-P1	2
Mainshaft (Rear)	Ball Bearing	6207-VSP33	1
Countershaft (Front)	Cylindrical Roller Bearing	NJ2205-ECP	1
Countershaft (Center)	Cylindrical Roller Bearing	□ ZC1033	1
Mainshaft Thrust	Needle Bearing	□ ZN1028	1
Mainshaft Pilot	Needle Bearing	□ ZN1044	1
Input Shaft	Tapered Roller Bearing	□ ZT1047	1
Misc	Gasket	□ GT-247	1
Misc	Shift Socket	□ ZM1008	2
Misc	Expansion Plug	□ ZM1013	3
Misc	Oil Baffle	□ ZM1014	1

## STK248

APPLICATION	DESCRIPTION	PART NUMBER	QUANTITY
Output Shaft (2 W/D)	Seal	14900	1
Input Shaft	Seal	11612	1
	<i>Speedi-Sleeve</i>	■ 99114	
Output Shaft (4 W/D)	Seal	14012	1
	<i>Speedi-Sleeve</i>	■ 99146	
Countershaft (Rear)	Ball Bearing	6304-NRJ	1
Input Shaft Oil Ring	Seal	□ BZ3421E	1
Top Cover	Gasket	□ GT-248R	1
Top Cover	Pins	□ M50-P1	2
Mainshaft (Rear)	Ball Bearing	6208-VSP37	1
Countershaft (Front)	Cylindrical Roller Bearing	□ ZC1010	1
Countershaft (Center)	Cylindrical Roller Bearing	MR1207-EL	1
Input Shaft	Oil Baffle	□ ZM1015	1
Mainshaft Pilot	Needle Bearing	□ ZN1034	1
Mainshaft Thrust	Needle Bearing	□ ZN1035	1
Input Shaft	Tapered Roller Bearing	□ ZT1087	1
Mainshaft (Center)	Tapered Roller Bearing	□ ZT1088	1
Misc	Gasket	□ GT-248	1
Misc	Shift Socket	□ ZM1008	2
Misc	Expansion Plug	□ ZM1013	4

■ Use Speedi-Sleeves to repair grooved shafts (Not Included)

□ Not Sold Separately

# Transmission kit contents—Light Duty

## STK300-ZF

APPLICATION	DESCRIPTION	PART NUMBER	QUANTITY
Input Shaft (S5-47M only)	Seal	14703	1
	<i>Speedi-Sleeve</i>	■ 99147	
Output Shaft (4 W/D)	Seal	15803	1
	<i>Speedi-Sleeve</i>	■ 99157	
Output Shaft (2 W/D)	Seal	19600	1
	<i>Speedi-Sleeve</i>	■ 99196	
Countershaft Front/Rear	Tapered Roller Bearing (Cup)	BR2520	2
Countershaft Front/Rear	Tapered Roller Bearing (Cone)	BR2580	2
Input Shaft & Output Shaft	Tapered Roller Bearing (Cup)	BR28521	2
Input Shaft	Tapered Roller Bearing (Cone)	BR28580	1
Input Shaft	Seal	13943	1
	<i>Speedi-Sleeve</i>	■ 99139	
Oil Baffle	Seal	□ E7TZ7040A	1
Oil Ring	Seal	□ F4TZ7046A	1
Output Shaft	Tapered Roller Bearing (Cone)	J28573	1
Mainshaft Pilot	Tapered Roller Bearing	JH13349	1
Front Bearing Retainer	O-Ring	□ ZM1004	1
Mainshaft Reverse & 1st Gear	Needle Bearing	F206756	2
Mainshaft 3rd Gear (Inner Race)	Needle Bearing	□ ZN1056	1
Mainshaft 2nd & 3rd Gear	Needle Bearing	F206755	2
Mainshaft 5th Gear	Needle Bearing	F209031	1
Reverse Idler	Needle Bearing	F597071	2
Shift Rail	Needle Bearing	FC66880	2
Misc	LD Transmission Gasket	□ GT-300ZF	1
Misc	Sealing Cap (Small)	□ ZM1035	4
Misc	Sealing Cap (Large)	□ ZM1036	3

■ Use Speedi-Sleeves to repair grooved shafts (Not Included)

□ Not Sold Separately

## Transmission kit contents—Light Duty

## STK4500-D

APPLICATION	DESCRIPTION	PART NUMBER	QUANTITY
Output Shaft (2 W/D-V10).....	Seal.....	22029.....	1
Output Shaft (4 W/D).....	Seal.....	19211.....	1
	<i>Speedi-Sleeve</i> .....	■ 99193.....	
Input Shaft.....	Seal.....	13557.....	1
	<i>Speedi-Sleeve</i> .....	■ 99138.....	
Output Shaft (2 W/D).....	Seal.....	16567.....	1
Extension Housing.....	Needle Bearing.....	B5020.....	1
PTO Cover.....	Gasket.....	□ GT-PT055.....	2
Transfer Case Adapter.....	LD Transmission Gasket.....	□ GTC-NP1.....	1
Mainshaft (Rear).....	Tapered Roller Bearing (Cup).....	M804010.....	1
Mainshaft (Rear).....	Tapered Roller Bearing (Cone).....	M804049.....	1
Countershaft.....	Plug.....	□ ZM1005.....	1
Mainshaft Pilot.....	Needle Bearing.....	□ ZN1003.....	1
Mainshaft Thrust.....	Needle Bearing.....	□ ZN1013.....	1
Countershaft (Front).....	Tapered Roller Bearing.....	□ ZT1005.....	1
Countershaft (Front).....	Tapered Roller Bearing.....	□ ZT1006.....	1
Countershaft (Rear).....	Tapered Roller Bearing.....	□ ZT1007.....	1
Countershaft (Rear).....	Tapered Roller Bearing.....	□ ZT1008.....	1
Input Shaft.....	Tapered Roller Bearing.....	□ ZT1009.....	1
Input Shaft.....	Tapered Roller Bearing.....	□ ZT1010.....	1
Misc.....	Fork Pads.....	□ 4167969.....	2
Misc.....	Fork Pads.....	□ 4219073.....	1
Misc.....	Fork Pad.....	□ ZM1049.....	2

■ Use Speedi-Sleeves to repair grooved shafts (Not Included)

□ Not Sold Separately

# Transmission kit contents—Light Duty

## STK4500-GM

APPLICATION	DESCRIPTION	PART NUMBER	QUANTITY
Output Shaft (P-Series w/Prkg. Brk) .....	Seal .....	17818 .....	1
	<i>Speedi-Sleeve</i> .....	■ 99177 .....	
Output Shaft (P-Series w/o Prkg. Brk) .....	Seal .....	18972 .....	1
	<i>Speedi-Sleeve</i> .....	■ 99189 .....	
Output Shaft (w/o Prkg. Brk) .....	Seal .....	19970 .....	1
	<i>Speedi-Sleeve</i> .....	■ 99199 .....	
Input Shaft .....	Seal .....	13557 .....	1
	<i>Speedi-Sleeve</i> .....	■ 99138 .....	
Output Shaft (w/Pkg Brk) .....	Seal .....	24982 .....	1
	<i>Speedi-Sleeve</i> .....	■ 99250 .....	
Extension Housing .....	Needle Bearing .....	B5020 .....	1
PTO Cover .....	Gasket .....	□ GT-PT055 .....	2
Transfer Case Adapter .....	LD Transmission Gasket .....	□ GTC-NP1 .....	1
Mainshaft (Rear) .....	Tapered Roller Bearing (Cup) .....	M804010 .....	1
Mainshaft (Rear) .....	Tapered Roller Bearing (Cone) .....	M804049 .....	1
Countershaft .....	Plug .....	□ ZM1005 .....	1
Mainshaft Pilot .....	Needle Bearing .....	□ ZN1003 .....	1
Mainshaft Thrust .....	Needle Bearing .....	□ ZN1013 .....	1
Countershaft (Front) .....	Tapered Roller Bearing .....	□ ZT1005 .....	1
Countershaft (Front) .....	Tapered Roller Bearing .....	□ ZT1006 .....	1
Countershaft (Rear) .....	Tapered Roller Bearing .....	□ ZT1007 .....	1
Countershaft (Rear) .....	Tapered Roller Bearing .....	□ ZT1008 .....	1
Input Shaft .....	Tapered Roller Bearing .....	□ ZT1009 .....	1
Input Shaft .....	Tapered Roller Bearing .....	□ ZT1010 .....	1
Misc .....	Fork Pads .....	□ 4167969 .....	2
Misc .....	Fork Pads .....	□ 4219073 .....	1

■ Use Speedi-Sleeves to repair grooved shafts (Not Included)

□ Not Sold Separately

## Transmission kit contents—Light Duty

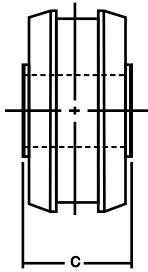
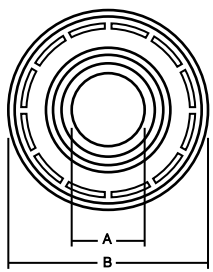
## STKS6-650ZF

APPLICATION	DESCRIPTION	PART NUMBER	QUANTITY
Mainshaft (Rear) .....	Ball Bearing .....	6309-NRJ .....	1
Countershaft (Front) .....	Tapered Roller Bearing .....	<input type="checkbox"/> DTP2074 .....	1
Oil Ring .....	Seal .....	<input type="checkbox"/> F4TZ7046A .....	1
Countershaft (Rear) .....	Needle Bearing .....	FC69178 .....	1
PTO .....	Gasket .....	<input type="checkbox"/> GT-PT055 .....	1
Mainshaft Pilot .....	Tapered Roller Bearing .....	JH13349 .....	1
Input Shaft .....	Tapered Roller Bearing .....	<input type="checkbox"/> NP007430 .....	1
Countershaft (Center) .....	Tapered Roller Bearing .....	<input type="checkbox"/> NP043905 .....	1
Input Shaft .....	Tapered Roller Bearing .....	<input type="checkbox"/> NP423135 .....	1
Countershaft (Center) .....	Tapered Roller Bearing .....	<input type="checkbox"/> NP547779 .....	1
Mainshaft (Center) .....	Tapered Roller Bearing .....	<input type="checkbox"/> NP771105 .....	1
Mainshaft (Center) .....	Tapered Roller Bearing .....	<input type="checkbox"/> NP957859 .....	1
Input Shaft .....	Seal .....	<input type="checkbox"/> UH5019-E0 .....	1
Output Shaft (2 W/D) .....	Seal .....	<input type="checkbox"/> UH5020-G0 .....	1
Output Shaft (4 W/D) .....	Seal .....	<input type="checkbox"/> UH5021-E0 .....	1
Misc .....	Sealing Cap (Large) .....	<input type="checkbox"/> ZM1036 .....	4
Misc .....	Oil baffle .....	<input type="checkbox"/> F81Z7046AA .....	1

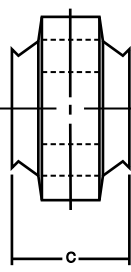
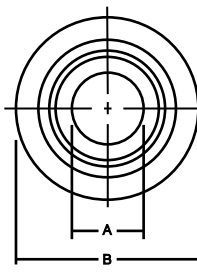
■ Use Speedi-Sleeves to repair grooved shafts (Not Included)

Not Sold Separately

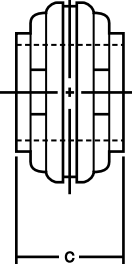
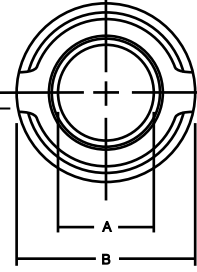
# Driveshaft support bearings—Types



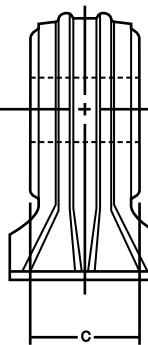
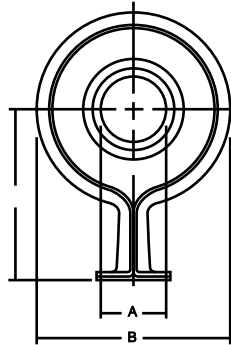
Type 1



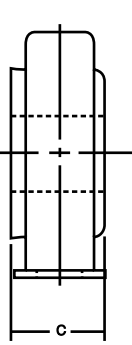
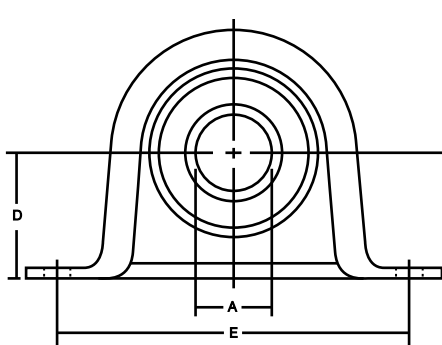
Type 2



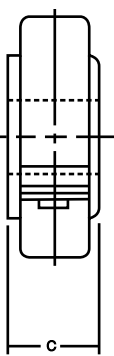
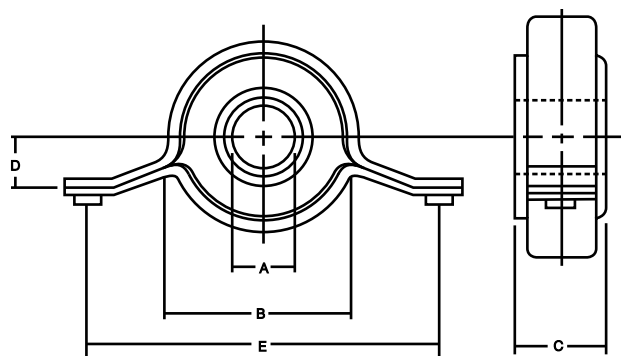
Type 3



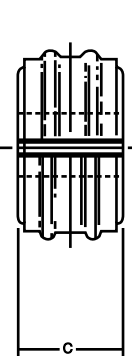
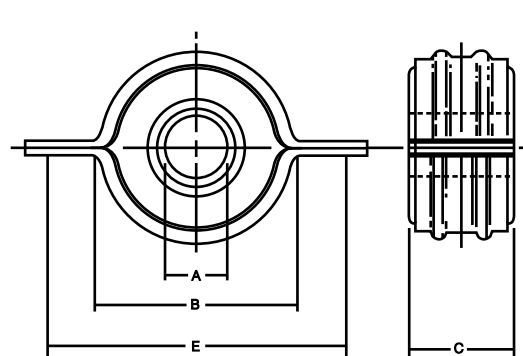
Type 4



Type 5 & 6



Type 7



Type 8

# Driveshaft support bearings—Numerical listing

Support No.	I.D. A	O.D. B	Center Line Width C	Bolt Hole Height D	Center E	Type	Slinger (Small)	Qty.	Slinger (Large)	Qty.
HB20	0.984	2.144	1.604	-	-	3	-	-	-	-
HB21	0.984	1.614	1.575	-	-	3	-	-	-	-
HB106-FF	1.260	6.910	0.945	1.910	5.913	5	-	-	231696	1
HB108	1.575	2.940	1.238	-	-	3	-	-	-	-
HB206-FF	1.181	-	0.630	3.500	-	4	-	-	-	-
HB209-KF	1.181	6.910	-	1.910	5.907	5	-	-	231696	1
HB1280-10	1.181	4.724	2.441	-	-	2	-	-	-	-
HB1280-20	1.181	4.713	1.929	-	-	2	-	-	-	-
HB1280-30	1.181	4.316	2.135	-	-	2	-	-	-	-
HB1280-40	1.220	4.764	2.142	-	-	2	-	-	-	-
HB1280-50	1.181	4.724	2.441	-	-	2	-	-	-	-
HB1280-60	1.175	4.500	2.000	3.250	3.700	2	-	-	-	-
HB1280-70	1.125	4.500	1.950	4.250	3.700	2	-	-	-	-
HB1350-10	1.181	5.520	2.719	2.125	3.150	7	-	-	-	-
HB1380-10	1.181	4.567	6.866	-	-	7	-	-	-	-
HB1380-20	1.181	4.409	2.323	-	-	7	-	-	-	-
HB1380-30	1.220	4.267	2.336	-	-	7	-	-	-	-
HB1380-40	1.181	6.935	2.215	-	5.900	7	-	-	-	-
HB1380-50	1.181	6.875	2.150	-	5.910	7	-	-	-	-
HB1380-60	1.181	4.289	6.828	2.118	6.000	7	-	-	-	-
HB1380-70	1.181	6.875	2.150	-	-	7	-	-	-	-
HB1380-80	1.181	7.345	2.286	2.108	6.220	7	-	-	-	-
HB1400-10	1.181	4.645	1.940	-	-	7	-	-	-	-
HB1420-10	1.000	4.520	2.550	-	-	7	-	-	-	-
HB1500-40	1.181	4.210	2.330	2.091	6.450	7	-	-	-	-
HB1500-60	1.181	4.230	2.330	2.091	2.750	7	-	-	-	-
HB1550-10	1.181	5.625	2.250	3.230	3.750	7	-	-	-	-
HB1600-10	1.181	9.342	2.465	2.500	8.875	7	-	-	-	-
HB1650-10	1.438	5.000	1.750	3.125	3.750	7	-	-	-	-
HB1680-10	1.181	4.634	2.047	-	-	8	-	-	-	-
HB1680-20	1.181	-	2.047	-	6.300	5	-	-	-	-
HB1700-10	1.181	3.901	1.986	-	5.118	5	-	-	-	-
HB1710-10	1.181	4.000	1.732	2.362	6.303	5	-	-	-	-
HB1720-10	1.181	4.000	1.732	2.362	6.303	5	-	-	-	-
HB1750-10	1.181	-	2.447	-	-	1	-	-	-	-
HB1820-10	1.182	4.201	2.412	1.952	6.934	5	-	-	-	-
HB1850-10	-	-	-	-	-	5	-	-	-	-
HB2380-20	1.181	4.213	2.283	-	-	7	-	-	-	-
HB2380-40	1.181	4.286	6.861	2.118	6.000	7	-	-	-	-
HB2390-10	4.878	2.012	3.040	2.370	-	5	-	-	-	-
HB2390-30	1.772	-	2.868	2.560	6.088	5	-	-	-	-

(Continued)

# Driveshaft support bearings—Numerical listing

Support No.	I.D. A	O.D. B	Center Line Width C	Bolt Hole Height D	Center E	Type	Slinger (Small)	Qty.	Slinger (Large)	Qty.
HB2780-10	1.181	3.970	1.548	2.055	5.213	5	-	-	-	-
HB2780-20	1.181	3.820	2.145	2.500	5.500	5	-	-	-	-
HB2780-60	1.181	3.898	1.142	2.019	6.259	5	-	-	-	-
HB2780-80	1.380	4.000	1.750	1.848	6.630	5	-	-	-	-
HB2790-10	1.181	4.000	1.720	1.935	6.630	5	-	-	-	-
HB88107-A	1.378	2.835	0.984	2.250	6.625	5	-	-	-	-
HB88107-B	1.378	-	0.984	2.250	6.625	5	230121	1	230118	1
HB88107-D	1.378	-	0.984	2.250	6.625	5	-	-	230141	1
									98-1473	2
HB88107-E	1.378	-	0.984	2.250	6.625	5	230104	1	230141	1
							98-1473	1		
HB88505	1.575	-	1.850	1.165	6.616	5	-	-	-	-
HB88506	1.375	-	1.850	1.165	6.616	5	-	-	230214	1
HB88508	1.575	-	1.063	2.500	6.625	6	-	-	-	-
HB88508-A	1.575	-	0.984	2.250	6.625	6	-	-	-	-
HB88508-AA	1.575	-	1.063	2.500	6.625	6	-	-	231004	2
HB88508-AB	1.575	-	0.984	2.250	6.625	6	231000	1	231004	1
HB88508-B	1.575	-	1.063	2.500	6.625	6	230209	1	230124	1
HB88508-C	1.575	-	1.063	2.500	6.625	6	230208	1	230207	1
HB88508-D	1.575	-	1.063	2.500	6.625	6	-	-	230207	2
HB88508-E	1.575	-	1.063	2.500	6.625	6	-	-	230124	2
HB88508-F	1.575	-	2.286	2.500	6.625	6	-	-	231005	1
HB88508-G	1.575	-	2.286	2.500	6.625	6	230215	1	231005	1
HB88509	1.772	-	1.063	2.719	7.625	6	-	-	-	-
HB88509-A	1.772	-	1.063	2.719	7.625	6	-	-	230151	2
HB88509-B	1.772	-	1.063	2.719	7.625	6	-	-	-	-
HB88509-C	1.772	-	1.063	2.719	7.625	6	230363	1	230151	1
HB88510	1.969	-	1.181	2.813	7.625	6	-	-	230166	2
HB88510-S	1.969	-	1.181	2.813	7.625	6	-	-	230166	2
HB88512-A	2.362	8.590	1.417	3.375	8.625	6	-	-	230746	2
HB88512-AS	2.362	-	1.417	3.375	8.625	6	-	-	230746	2
HB88514	1.575	4.687	1.850	2.344	6.616	5	230211	1	231005	1
HB88515	1.575	4.687	1.850	2.774	6.616	5	230211	1	231005	1
HB88530	1.374	-	1.413	2.239	6.616	5	-	-	-	-
HB88532	1.378	-	-	-	-	5	-	-	-	-
HB88540	1.574	7.756	1.850	2.244	6.622	5	-	-	-	-







## The Power of Knowledge Engineering

SKF is your source for a wide range of products covering various industries. From automotive to heavy duty to industrial applications, SKF offers a solution to keep your machines operating and your business profitable.



To receive updates and news from SKF, please email:

**[vsm.updates@skf.com](mailto:vsm.updates@skf.com)**

For catalog related questions, please email:

**[vsm.catalogs@skf.com](mailto:vsm.catalogs@skf.com)**

For more information, please contact your local SKF representative at

**1-800-882-0008** or visit us at **[www.vsm.skf.com](http://www.vsm.skf.com)**.

SKF VSM NA  
890 N. State Street  
Suite 200  
Elgin, IL 60123



© SKF and SPEEDI-SLEEVE are registered trademarks of the SKF Group.

© SKF Group 2010

The contents of this publication are the copyright of the publisher and may not be reproduced (even extracts) unless permission is granted. Every care has been taken to ensure the accuracy of the information contained in this publication but no liability can be accepted for any loss or damage whether direct, indirect or consequential arising out of the use of the information contained herein.

Printed in U.S.A.

Certain image(s) used under license from Shutterstock.com